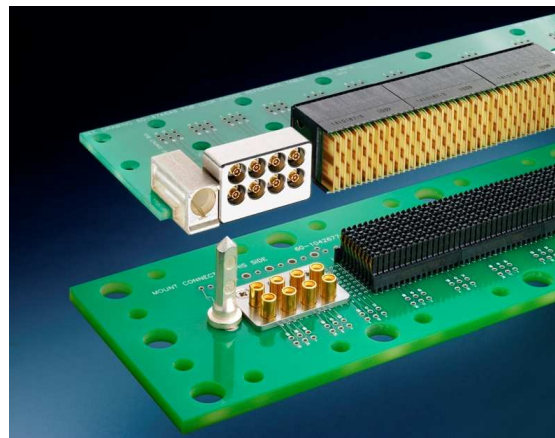


RF Modules & Contacts

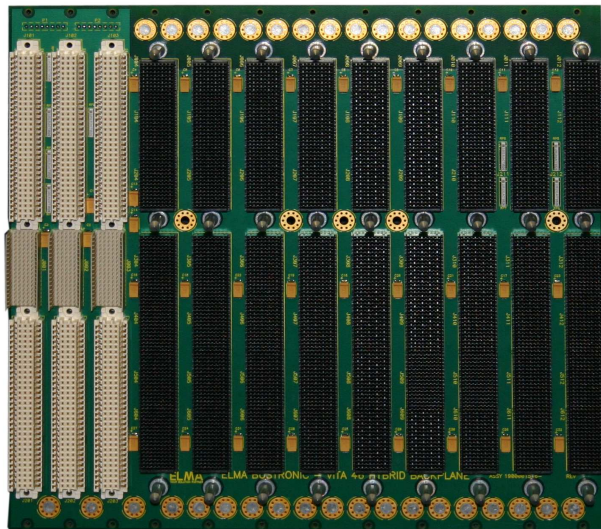
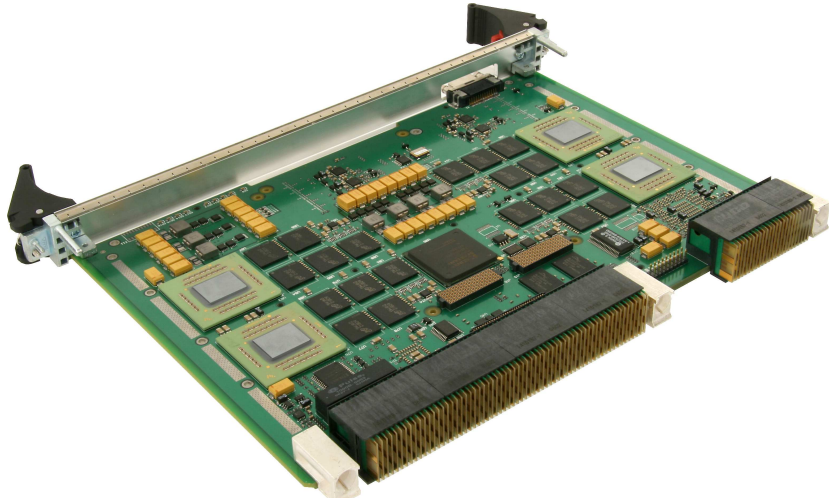
VITA 67

Oct 2011



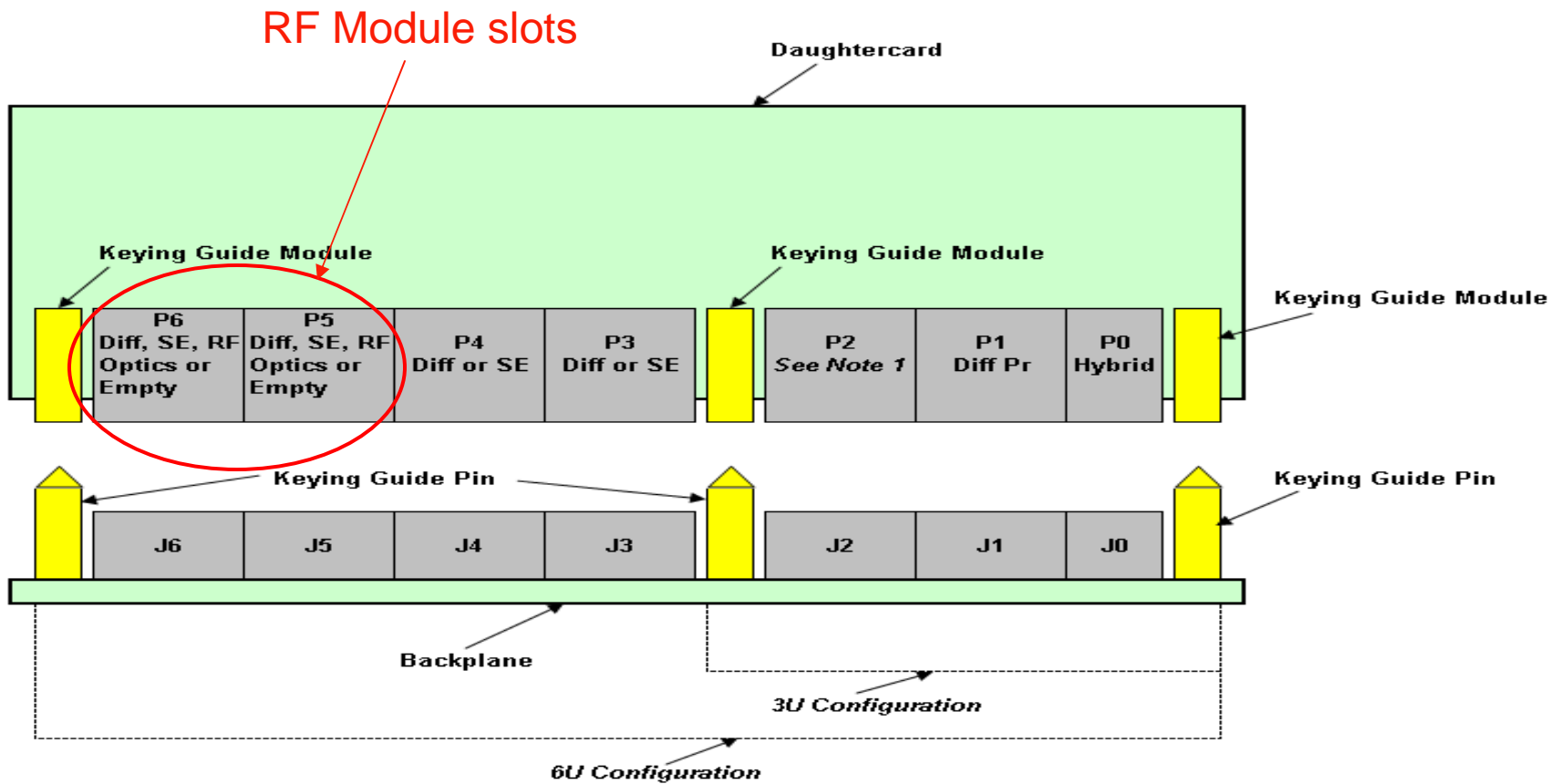
VPX Applications for VITA 67 RF Modules and Contacts

Typical VPX (VITA 46) Constructions



Source: Curtiss Wright Controls

Vita 46 Board – Typical Module Layout



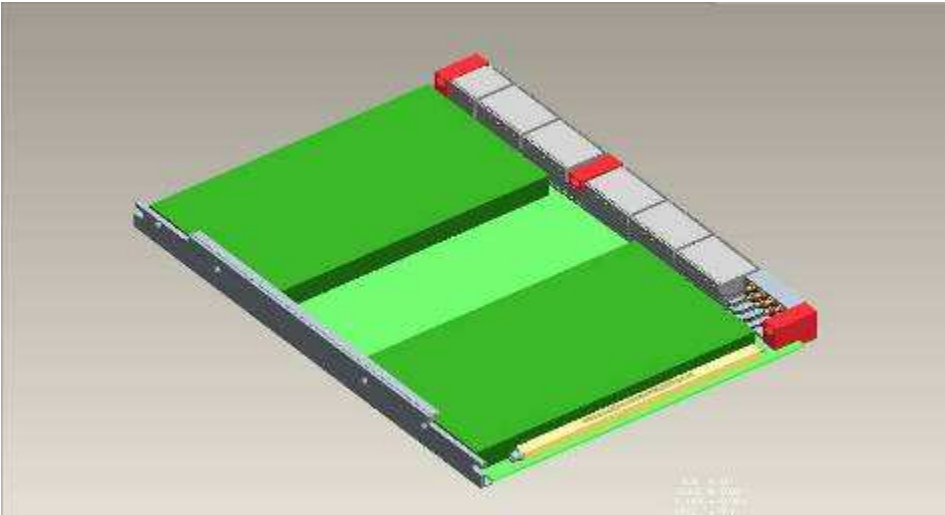
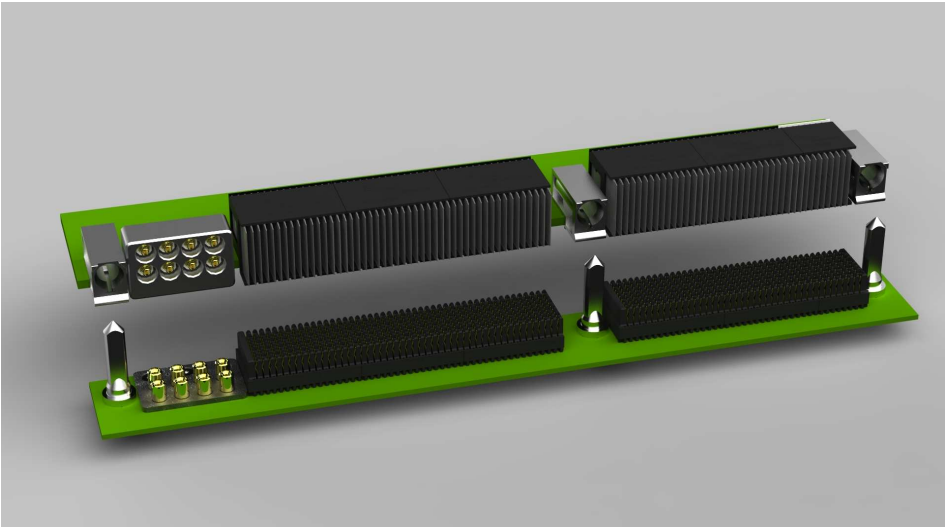
VITA 67 – 3U Configuration

Uses VITA 67.1
4-position module



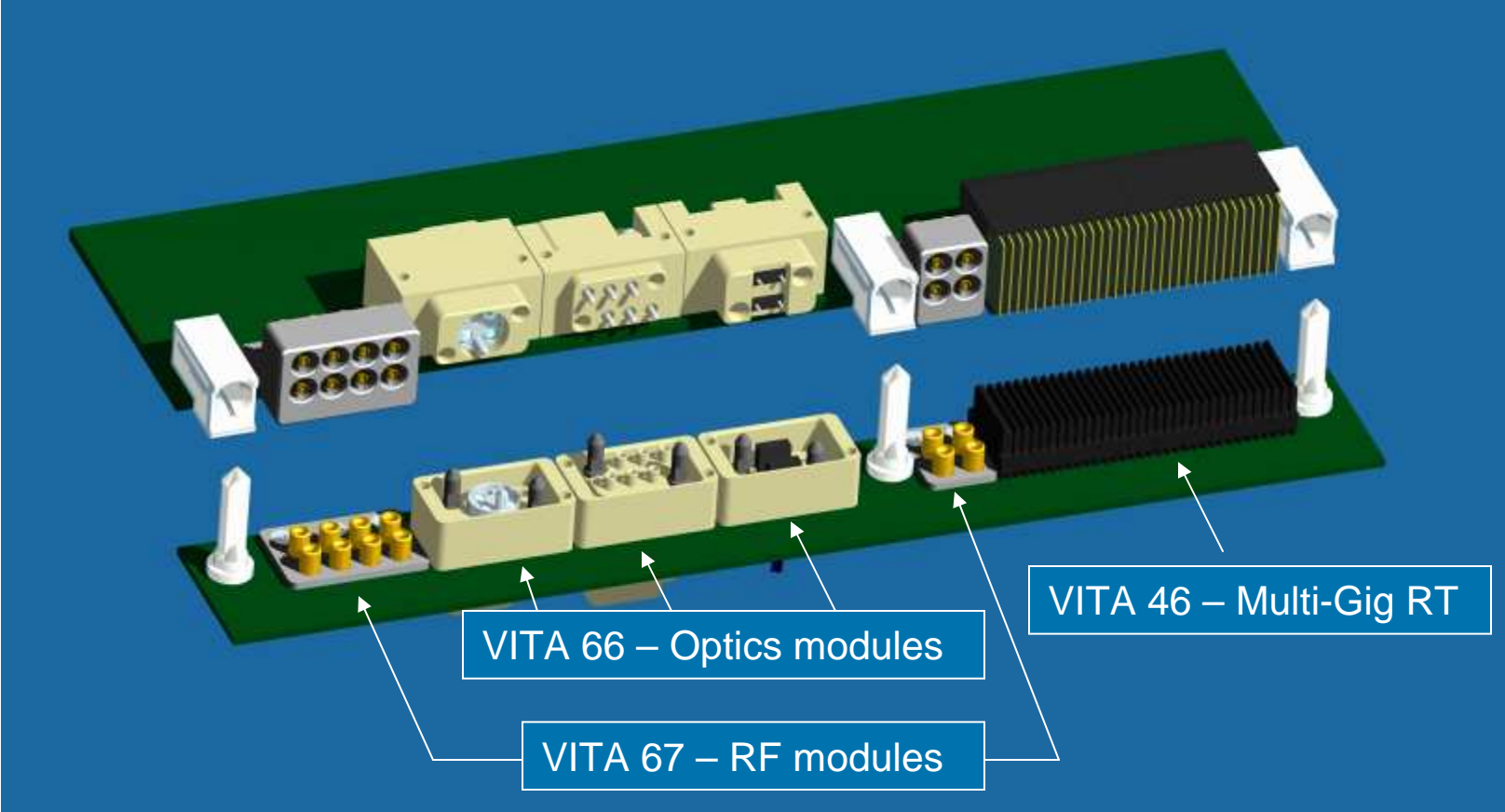
VITA 67 – 6U Configuration

Uses VITA 67.2
8-position module



VPX

User Configurable Connector System



Mixed Signal Configuration

Features & Specifications

VITA 67 RF Modules

VITA 67 - RF Modules

Features

- Modular design permits application specific configuration
- RF Modules available in Stainless steel and Aluminum
- Float mounted jack maintains positive RF connection
- Excellent channel-to-channel isolation
- Will support .8" (20mm) card pitch
- .240 center-to-center contact spacing
- RF (SMPM) contact performance to 40.0 GHz
- RF contacts are available for a variety of cables

VITA 67 - RF Modules

Electrical Requirements

- Freq Range: DC to 26.5 GHz
- Flatness: +/- 1 dB DC- 26.5 GHz (transmission loss)
- Insertion Loss: <0.12 dB
- VSWR: 1.15:1 Max. up to 10 GHz
1.25:1 Max. 10-26.5 GHz
1.35:1 Max. 26.5-40 GHz
- DWV: 325 Vrms
- Temperature Range: -65° to +105°C
- Isolation: (Channel – Channel)
 - SHF (3-30 GHz) > 100 dB
 - VHF/UHF (30 MHz–3 GHz) > 120 dB
 - HF (3-30 MHz) > 140 dB
- RF Power: (C.W. Ave.)
 - VHF/UHF/SHF (30 MHz–30 GHz) > 20 dBm
 - HF (3-30 MHz) > 30 dBm

VITA 67 - RF Modules

Mating and Misalignment

- Axial float: = .079” (2.0mm) Min.
- Radial misalignment: .010” (.020” total)
- Force to Engage: 3.5 lbs (typical @ .052 axial spring deflection)
- Force to Disengage: 1.35 lbs (typical)
- Float Mount Preload: 2.3 lbs (typical)
- Float Mount force at full axial deflection: 4.25 lbs (typical)

Note: All values are typical for a single RF contact in a smooth bore receptacle.

VITA 67 - RF Modules

Environmental

- Durability: EIA-364-9, 500 mating cycles, smooth bore
- Vibration: EIA-364-28, Test Condition III 10 nanosecond discontinuity
- Mechanical shock: EIA-364-27, Method G
- Operating Temperature: -65 to +165 C
- Humidity/Temperature cycling: EIA-364-31, Method III
- Corrosion resistance: 48 hours salt fog exposure IAW ASTM G85, Annex A4

VITA 67 - RF Modules

Standards & Specifications

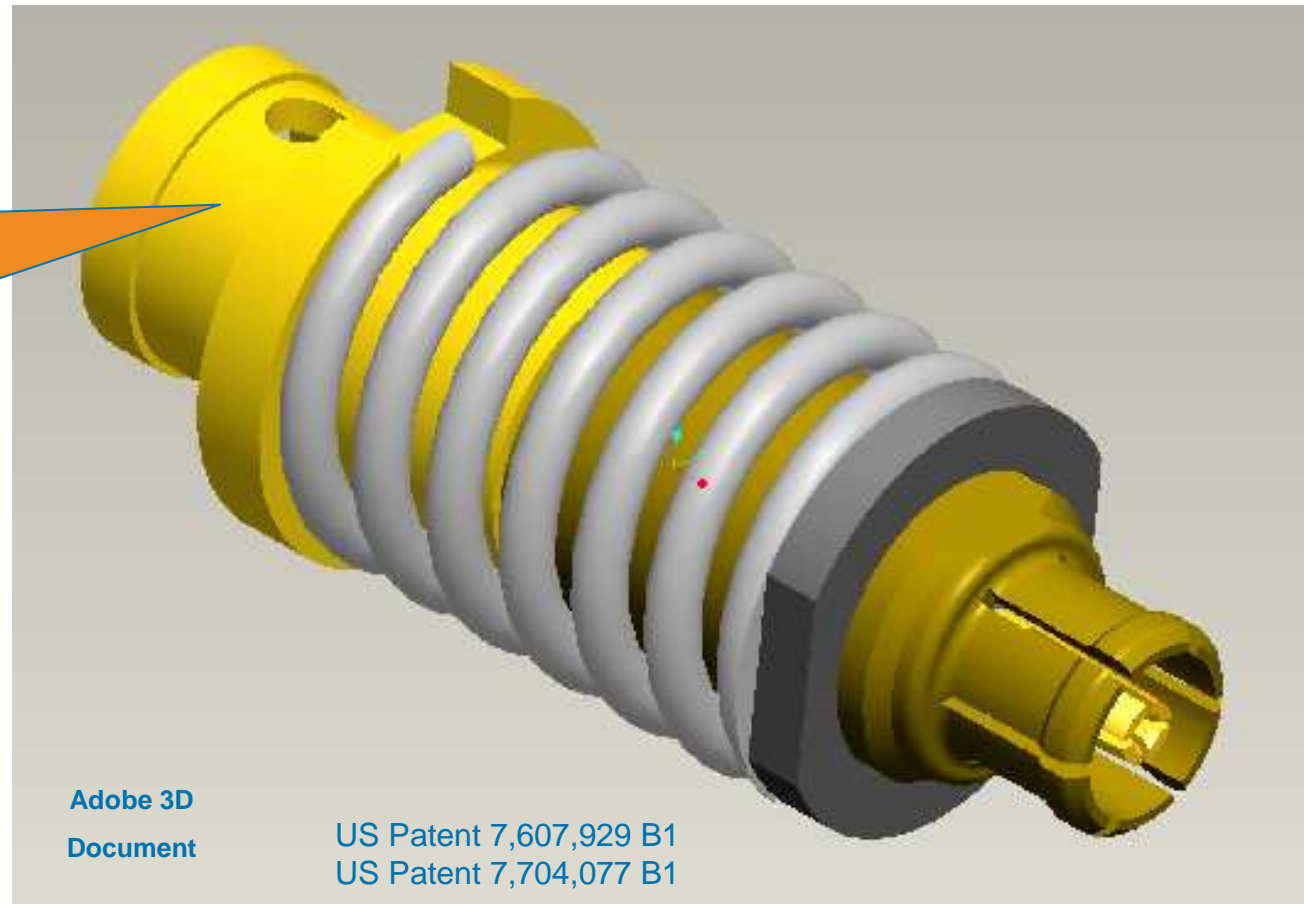
- Materials and plating meet the requirements of MIL-PRF-39012
- Designed to meet the vibration and corrosion resistance requirements of ANSI/VITA 47
- SMPM RF contact interfaces compatible with MIL-STD-348

VITA 67
Float Mount SMPM Connector

VITA 67, Daughter Card RF Contact

**SMPM
FLOAT MOUNT
RECEPTACLE
(.086 Cable)**

Spring and
retaining ring
supplied
unassembled



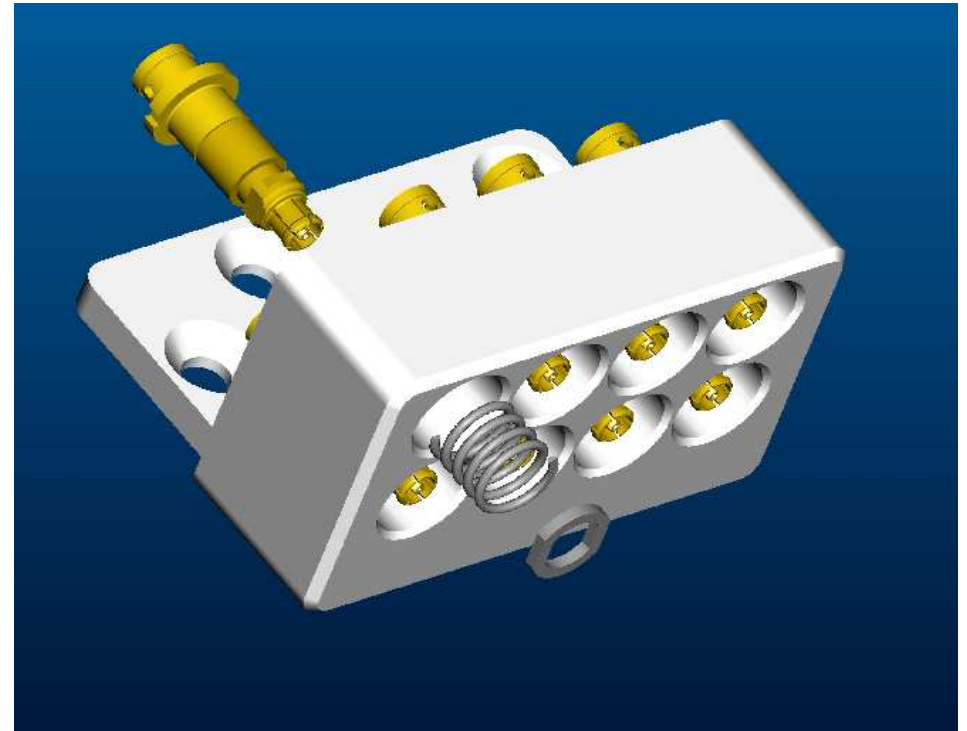
Adobe 3D
Document

US Patent 7,607,929 B1
US Patent 7,704,077 B1

VITA 67, Daughter Card RF Contact

Cabled contact is inserted into the module, insertion tool is used to rotate and lock the retaining ring, holding the contact and spring in place.

Spring compression assures that the contact interface is bottomed when modules are mated, optimizing RF performance



VITA 67 Daughtercard Modules, Cable applied

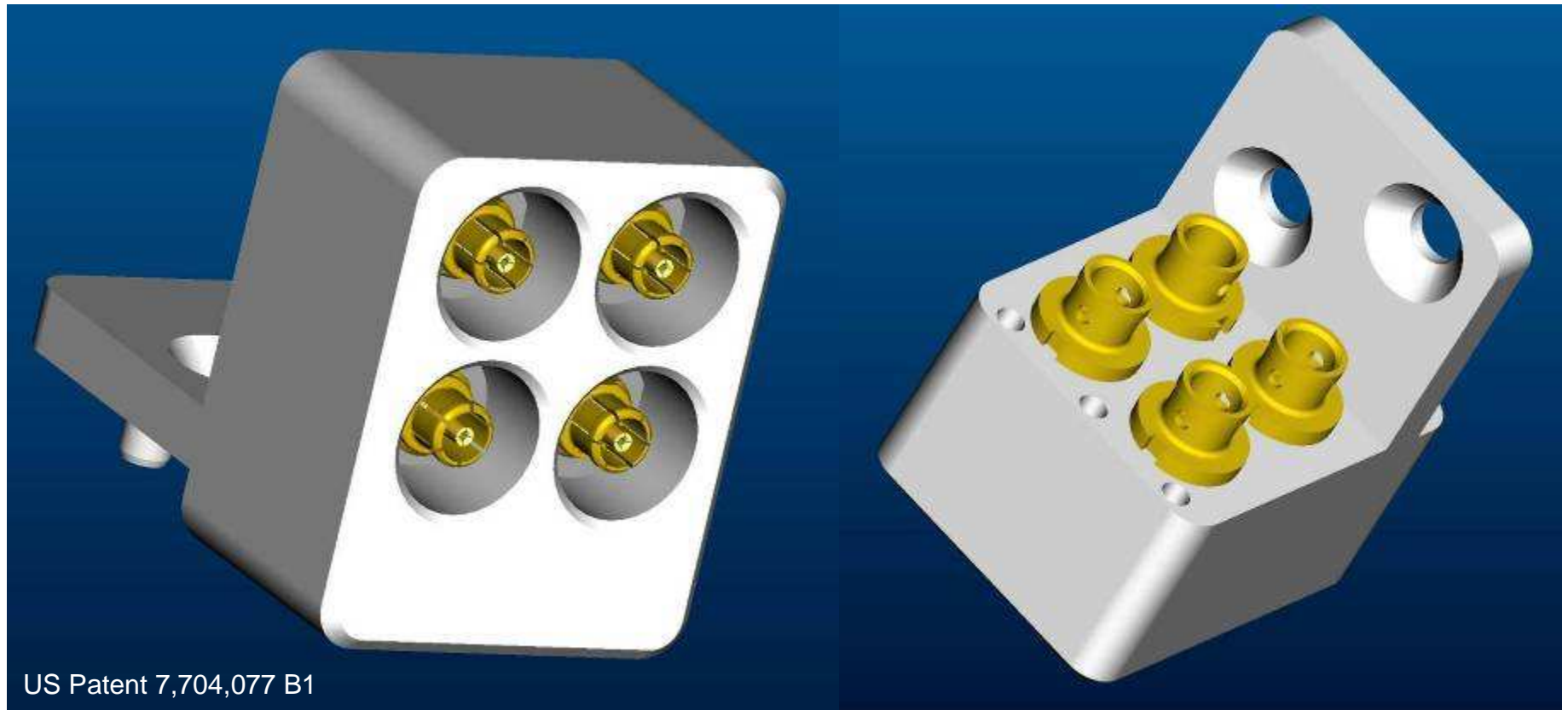


VITA 67.1 4 Position RF Module

VITA 67.2 8 Position RF Module

VITA 67.1

4 Position Daughter Card RF Module



US Patent 7,704,077 B1

Stainless Steel
Aluminum

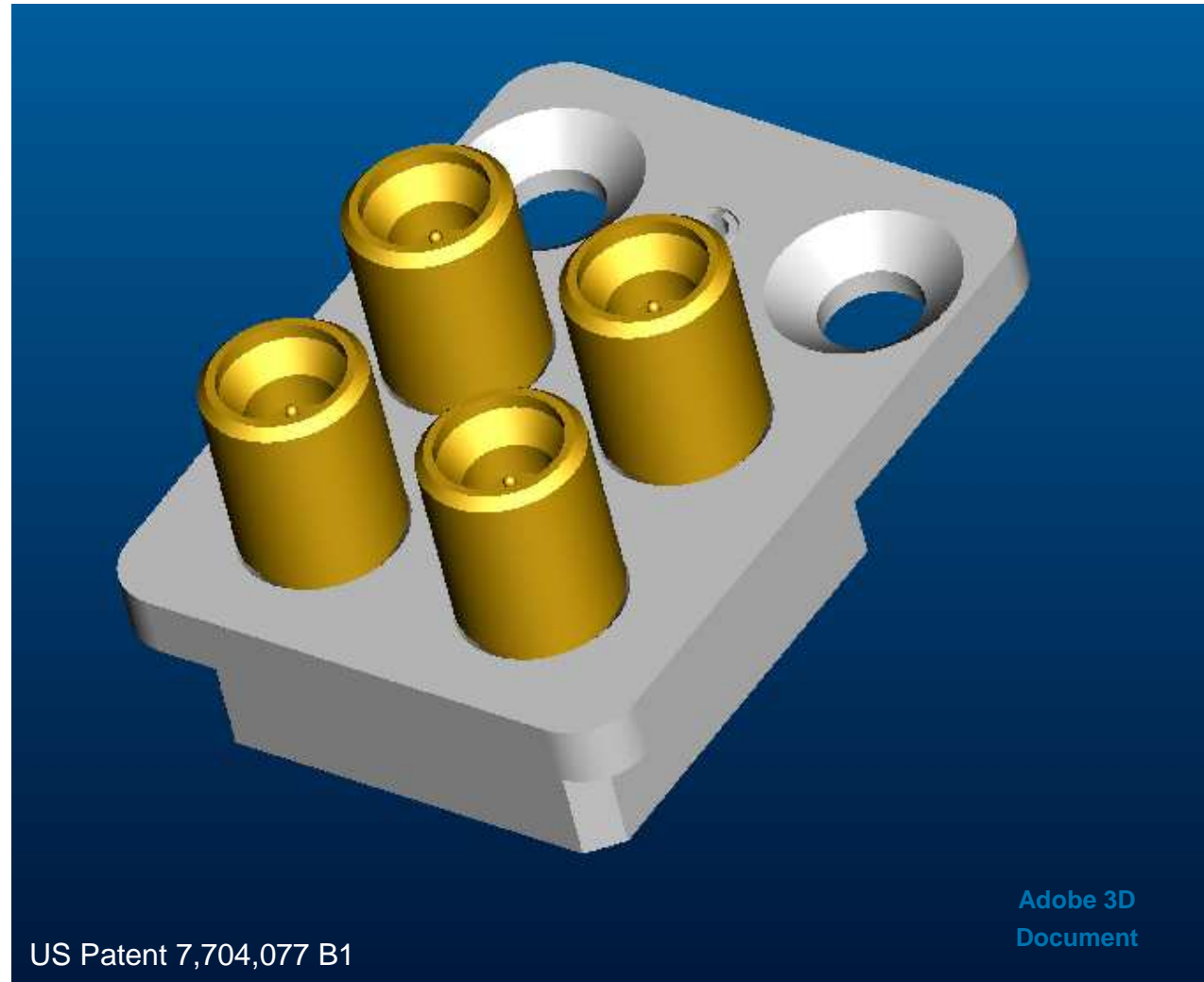
1996883-4
2157338-3

Contacts purchased separately

VITA 67.1

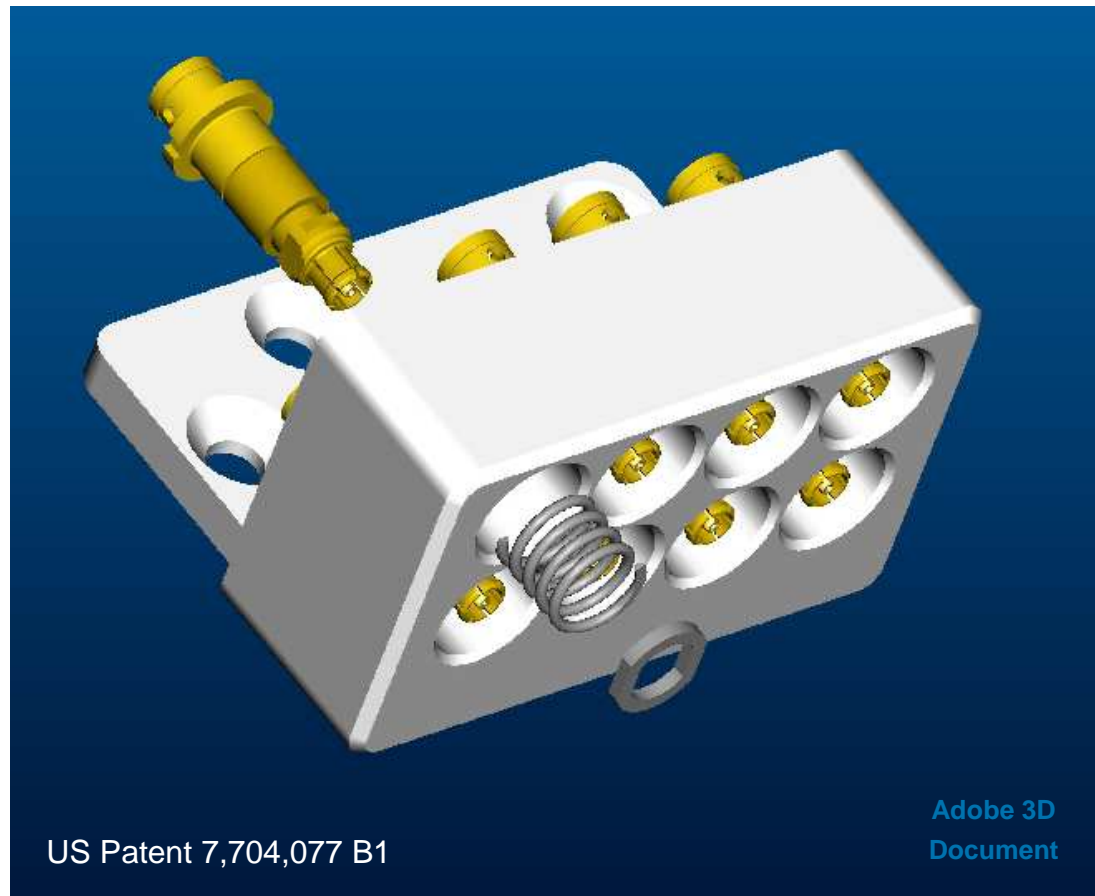
4 Position Backplane RF Module – 1996884-1

Designed for use on
3U VITA 46
Configuration



VITA 67.2

8 Position Daughter Card RF Module



Stainless Steel
Aluminum

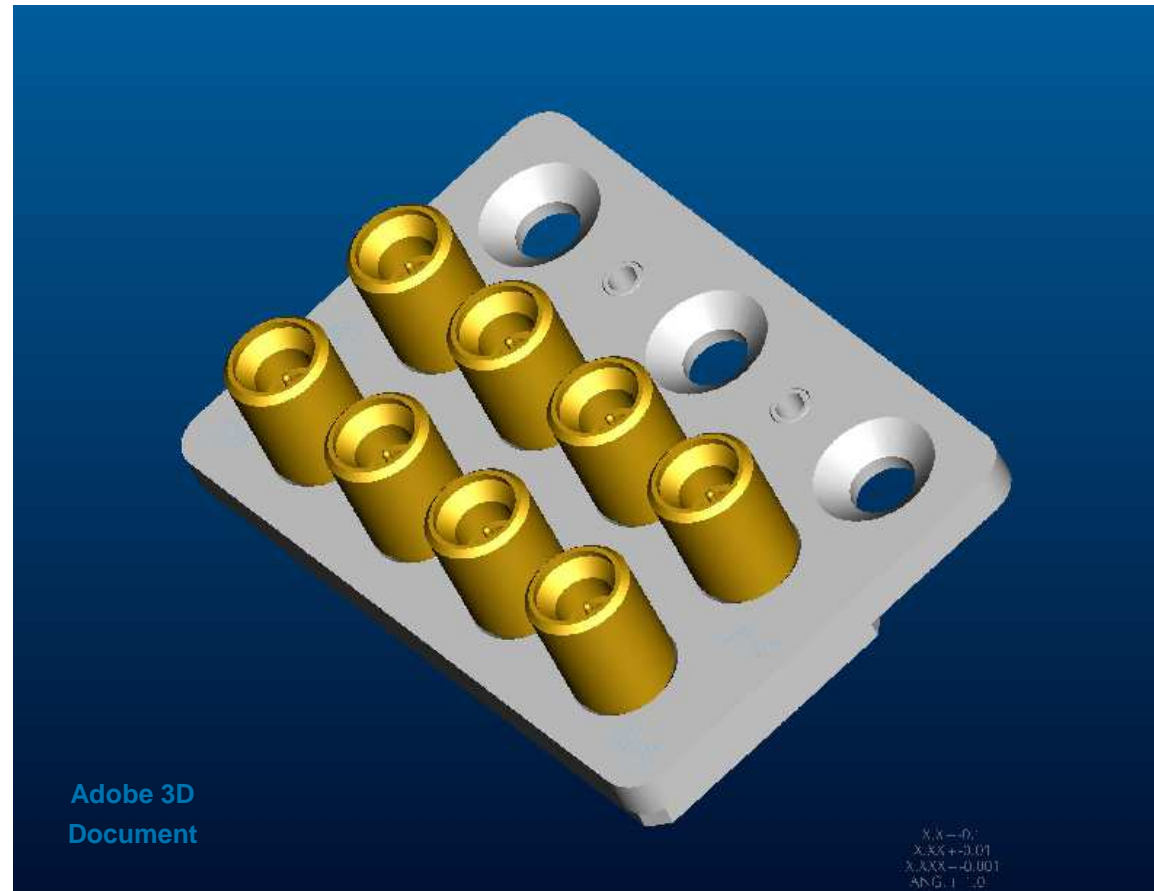
1996705-4
2157350-3

Contacts purchased separately

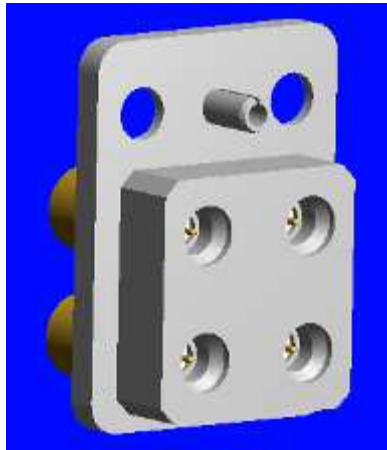
VITA 67.2

8 Position Backplane RF Module – 1996706-1

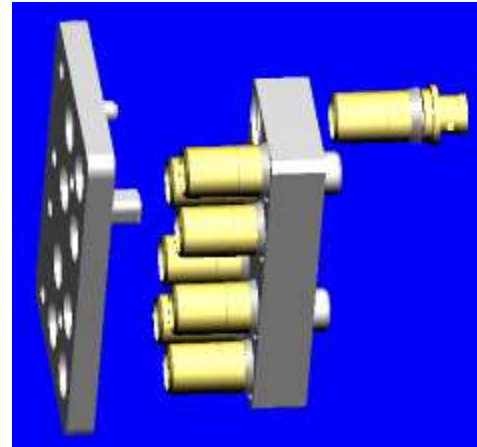
Designed for use on
6U VITA 46
Configuration



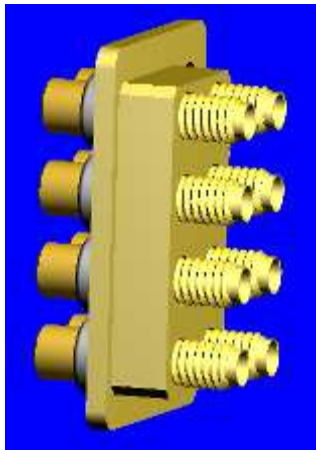
Backplane Connection Side Options



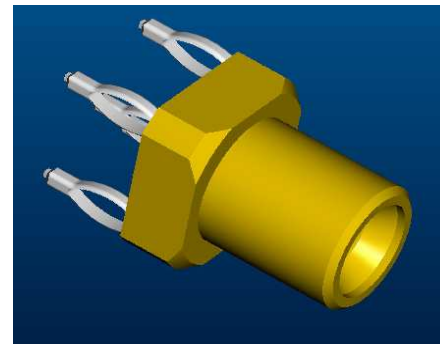
SMPM plug interface



Direct cable attach



OSMM jack interface



Press-fit PCB termination

Direct Cable Attach

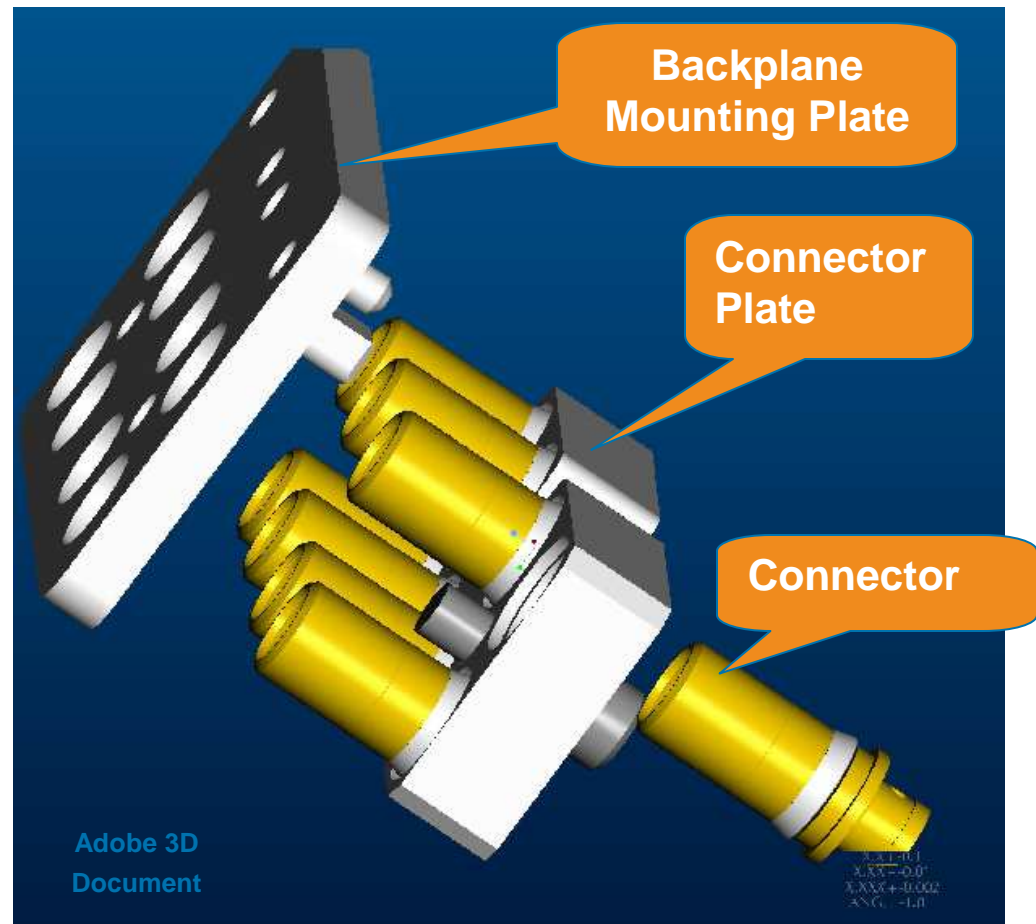
Module kit is supplied with backplane mounting plate and connector plate

Contact snaps into connector plate

Eliminates a secondary interface at the backplane connection

Advantages:

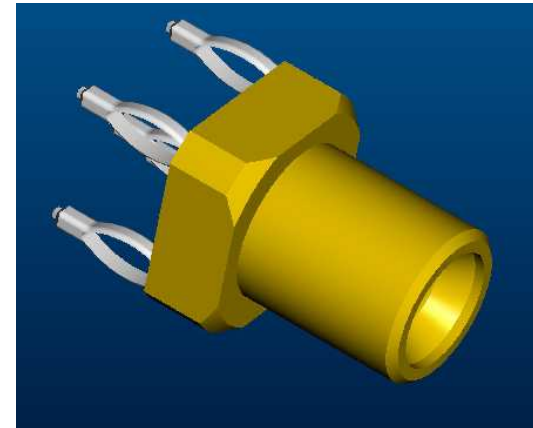
- Better RF performance
- Lower Cost
- Lighter Weight
- Replaceable contacts



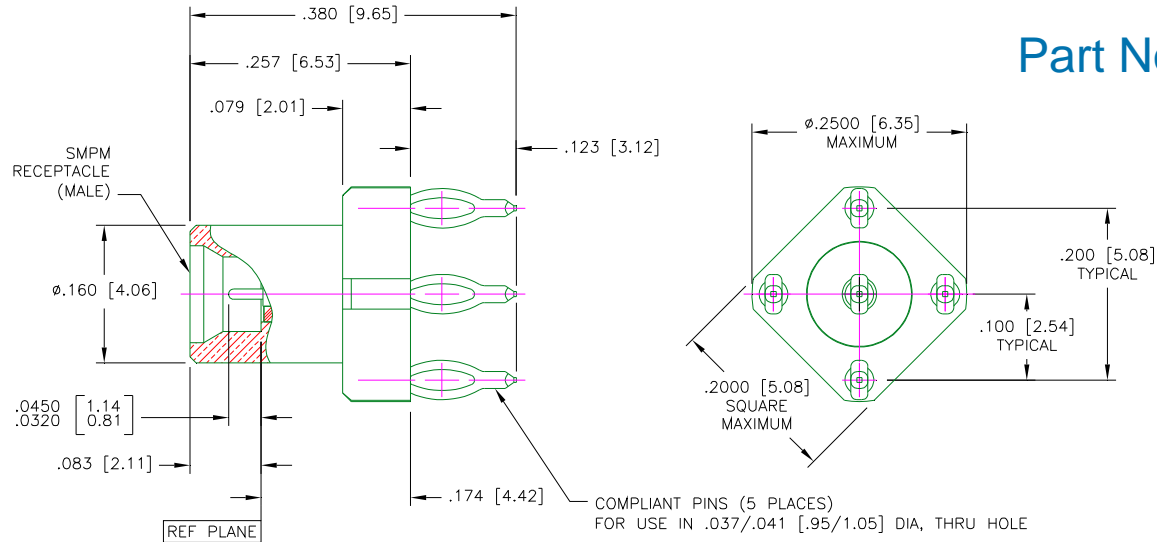
VITA 67

Compliant Pin, Backplane Connector

No backplane module plate required, PCB layout sets contacts in the position required for mating daughtercard module.

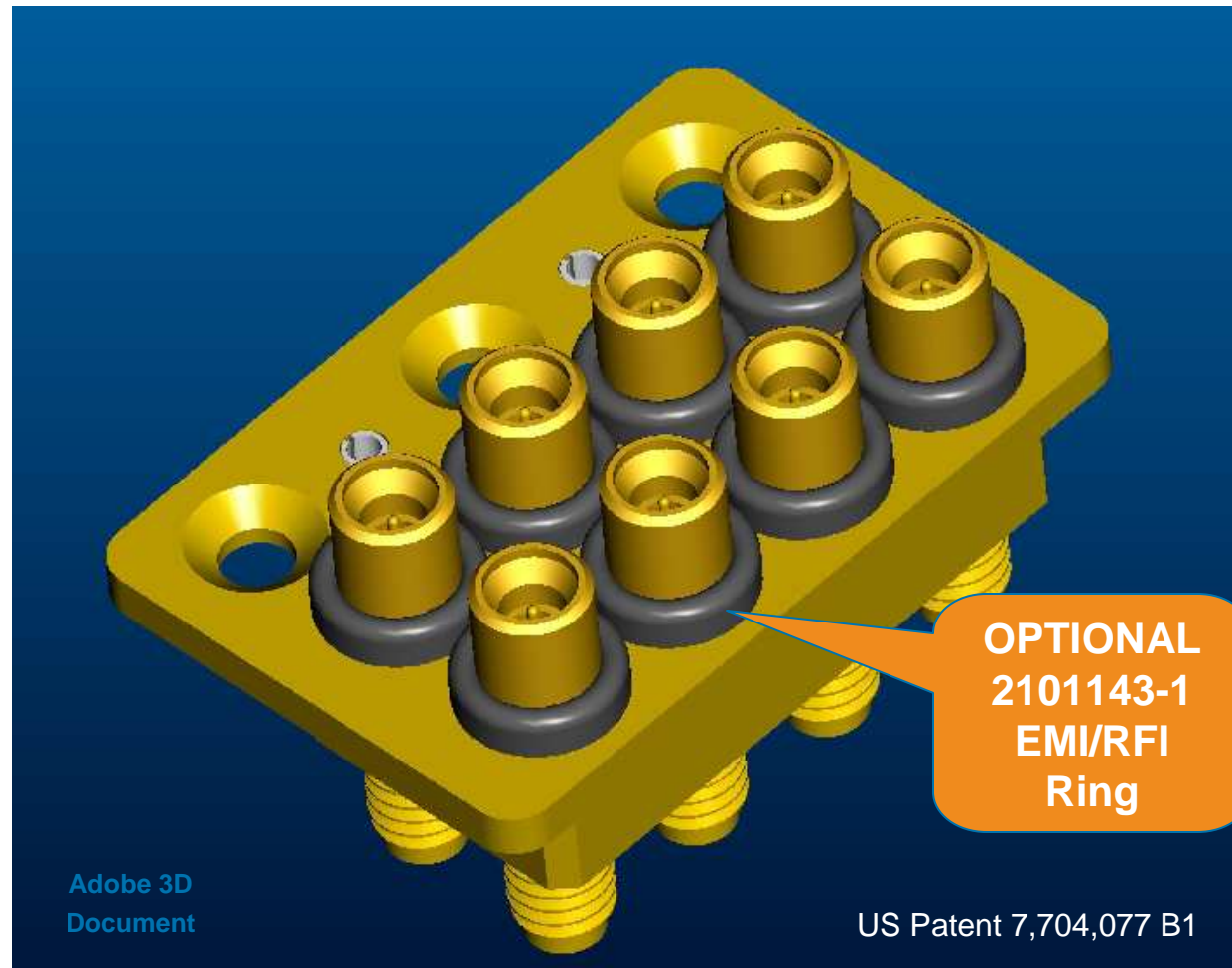


Part No. 1996318-1

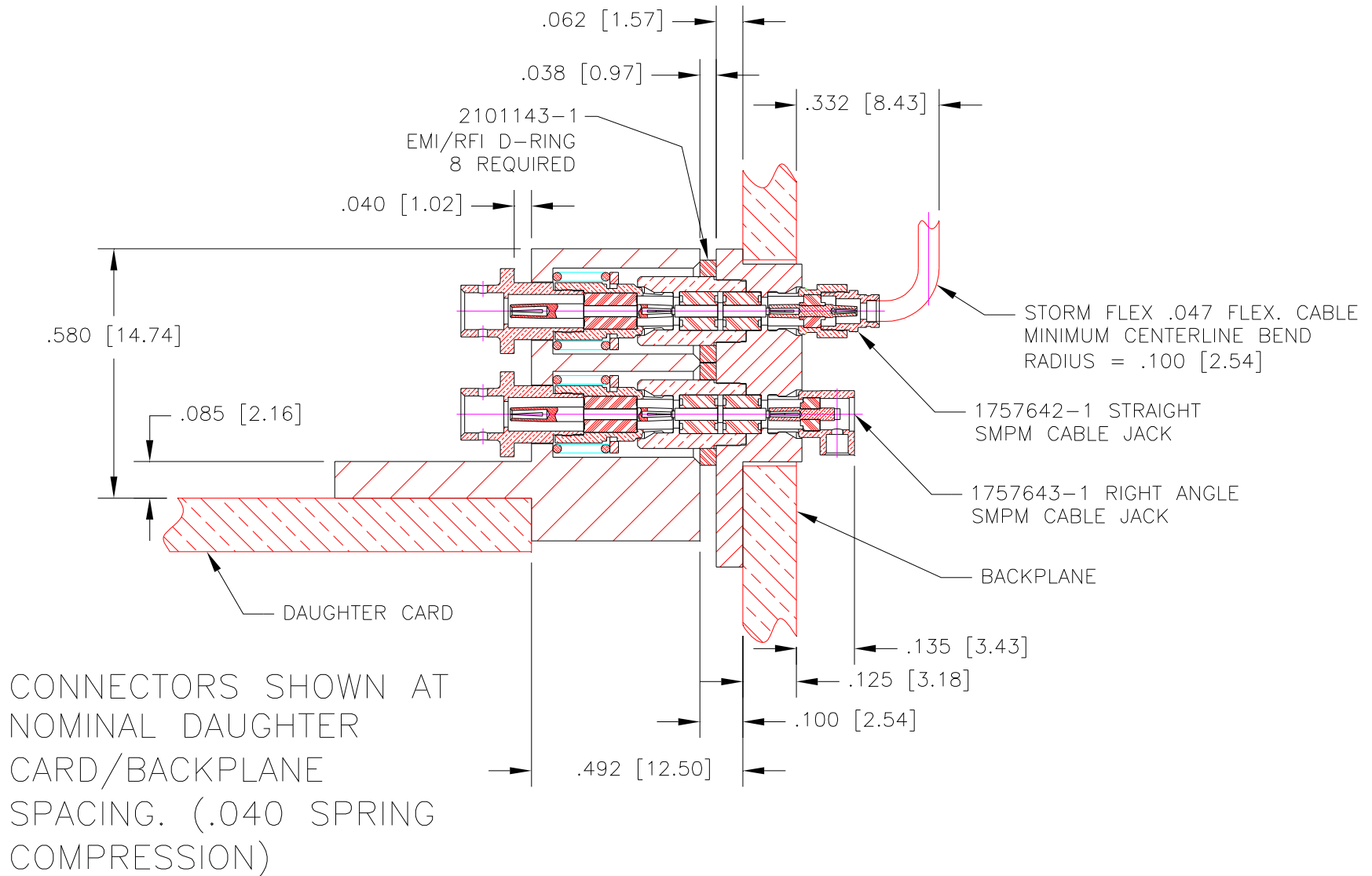


VITA 67 Type RF Backplane Module (OSMM)

EMI/RFI Ring
Improves Shielding
Effectiveness



VITA 67, Typical Module Cross Section



SMPM Series Connector

SMPM Series Connectors

Sub-miniature, push-on, RF interconnect system similar to SMP, except 30% smaller, with the following features:

- Center-to-center spacing of .135" for higher packaging density than SMP
- RF performance to 40 GHz
- Can accommodate both axial and radial misalignment similar to SMP
- Standard interface design per MIL-STD-348A, Notice 5
- 2 different detent styles for varied insertion force requirements (full detent, smooth bore)



SMPM

Product Performance/Specifications

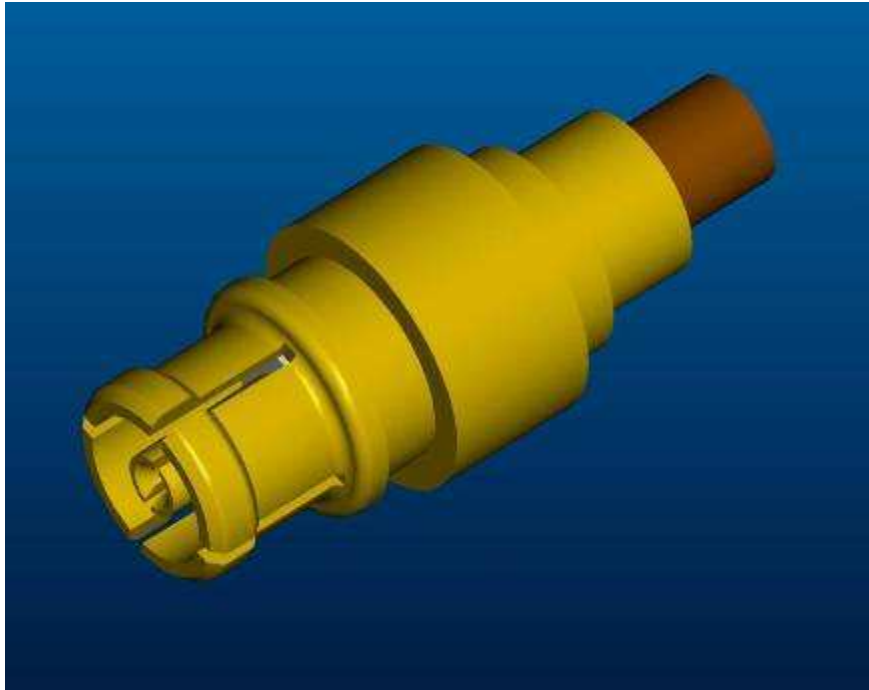
- Impedance: 50 ohms
- Frequency Range: DC to 40 GHz
- VSWR: 1.15 max to 26.5 GHz, 1.50 max to 40 GHz (typical values)
- Engagement force: 8.0 lbs max (full detent), 2.5 lbs max (smooth bore)
- Disengagement force: 5 lbs min (full detent), 0.5 lbs min (smooth bore)
- Radial misalignment: .010" min
- Axial misalignment: .000-.010"
- DWV: 200 VRMS min (@ sea level)

SMPPM

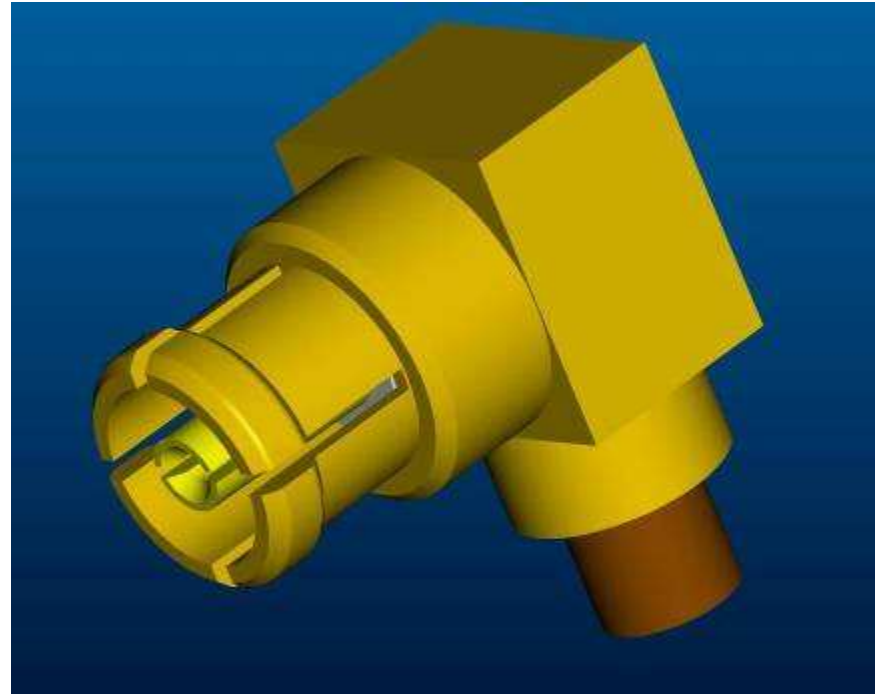
Product Performance/Specifications (cont.)

- Operating Temperature: -65°C to +165°C
- Durability: 100 cycles (full detent) - 500 cycles (smooth bore)
- Insulation resistance: 5,000 megohms min
- Corona level: 125 VRMS @ 70,000 feet
- Humidity-temperature cycling: EIA-364-31, Method III
- Temperature life: EIA-364-17, Method A, Test condition V
- Corrosion: EIA-364-26, Condition B
- Mechanical shock: EIA-364-27, Method G
- Thermal shock: EIA-364-32
- Vibration, sinusoidal: EIA-364-28, Test condition III

SMPM Connectors, for use with RF Backplane (*pass-thru*) modules

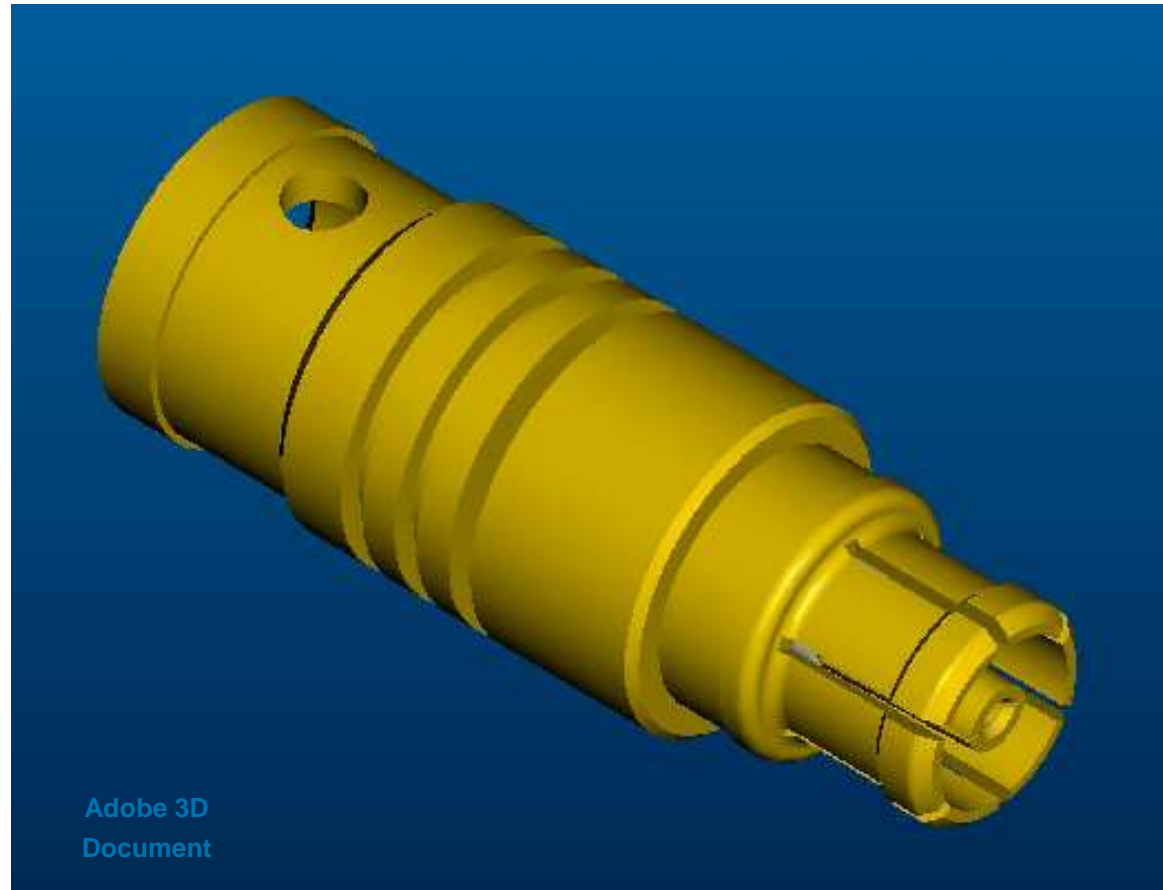


SMPM Straight (F) Plug
.047 Cable 1757642-1



SMPM Right Angle (F) Plug
.047 Cable 1757643-1

SMPM Connectors, for use with RF Backplane (*pass-thru*) modules

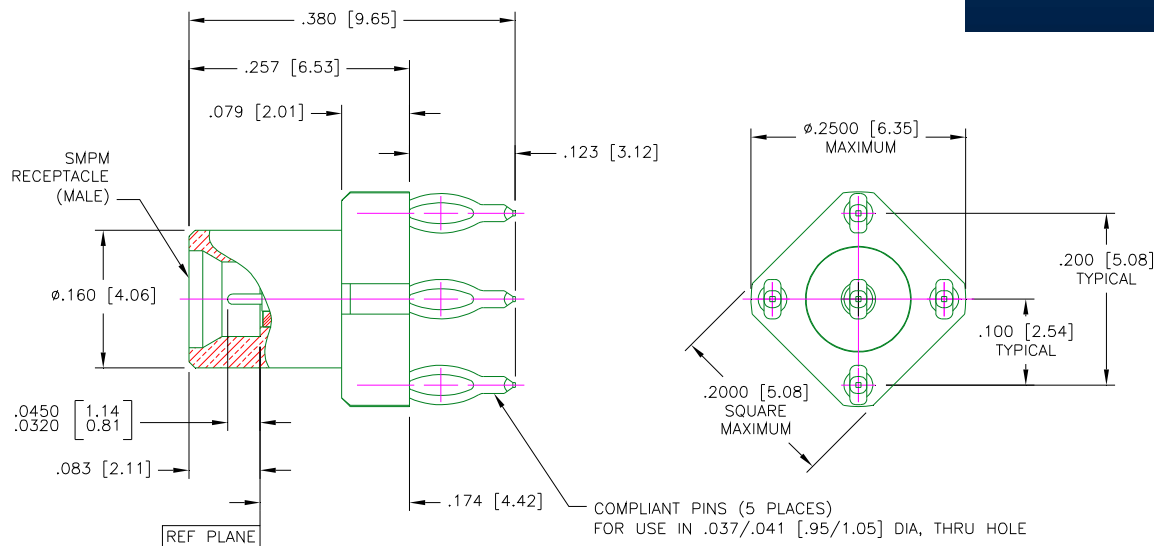
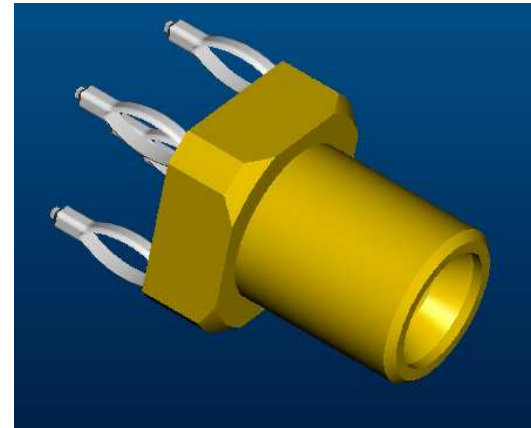


SMPM Straight (F) Plug,
.086 Cable, 1996328-1

VITA 67

Compliant Pin, Backplane Connector

Part No. 1996318-1



RF Module Part Numbers

VITA 67 Part Number Matrix

RF Modules and RF Connectors

Application		Motherboard (Backplane)		Daughter Card			
		RF Module	RF Connector SMPM	RF Module		SMPM Cable Connector	
# positions	Backplane Connection Side			Stainless Steel	Aluminum	.047 Cables	.086 Cables
8	SMPM cables attach to module	1996706-1	Integrated into RF module	1996705-4	2157350-3	1996771-1	1996390-1
8	Direct PCB termination	N/A	1996318-1	1996705-4	2157350-3	1996771-1	1996390-1
8	OSMM plug attach	1996777-2	Integrated into RF module	1996705-4	2157350-3	1996771-1	1996390-1
8	SMPM cables insert into backplane module	2157553-1	2101012-1 (.086 cable) 2157248-1 (.047 cable)	1996705-4	2157350-3	1996771-1	1996390-1
4	SMPM cables attach to module	1996884-1	Integrated into RF module	1996883-4	2157338-3	1996771-1	1996390-1
4	OSMM plug attach	2101510-2	Integrated into RF module	1996883-4	2157338-3	1996771-1	1996390-1
Installation & Removal Tool		2101595-1	For use on 1996771-1 and 1996390-1, for Twist Lock Retaining Ring				

Notes:

RF contacts may be used with .047/.086 dia semi-rigid, conformable, and flexible cables
Other configurations available and custom solutions are possible.

VITA 67 Backplane Mating Connectors

Backplane Mating Connectors	Connect to 1996706-1 and 1996884-1 (SMPM), and 1996777-1/-2 and 2101510-1/-2 (OSMM) Backplane Module (<i>pass thru</i>)		
	RF Connector		
	.047 S.R.	.086 S.R.	RG 196/U
SMPM Straight Cable Plug	1757642-1	1996328-1	N/A
SMPM Right Angle Cable Plug	1757643-1 1757638-1 (<i>Low Profile</i>)	2101777-1	N/A
OSMM Straight Cable Plug	1058955-1	1996942-1	1059057-1
OSMM Right Angle Cable Plug	1058993-1	TBD	1059063-1

TE Connectivity

Aerospace Defense & Marine - Contacts

Business Office

- **Mike Walmsley**
Product Manager
mjwalmsl@te.com
717-985-2835
- **Greg Powers**
Business Development
Manager
gregory.powers@te.com
425-358-0903

Engineering

- **Steve Morley**
Development Engineer
smorley@te.com
717-653-3624
- **Bill Moyer**
Product Engineer
william.moyer@te.com
717-653-3627



Компания «ЭлектроПласт» предлагает заключение долгосрочных отношений при поставках импортных электронных компонентов на взаимовыгодных условиях!

Наши преимущества:

- Оперативные поставки широкого спектра электронных компонентов отечественного и импортного производства напрямую от производителей и с крупнейших мировых складов;
- Поставка более 17-ти миллионов наименований электронных компонентов;
- Поставка сложных, дефицитных, либо снятых с производства позиций;
- Оперативные сроки поставки под заказ (от 5 рабочих дней);
- Экспресс доставка в любую точку России;
- Техническая поддержка проекта, помощь в подборе аналогов, поставка прототипов;
- Система менеджмента качества сертифицирована по Международному стандарту ISO 9001;
- Лицензия ФСБ на осуществление работ с использованием сведений, составляющих государственную тайну;
- Поставка специализированных компонентов (Xilinx, Altera, Analog Devices, Intersil, Interpoint, Microsemi, Aeroflex, Peregrine, Syfer, Eurofarad, Texas Instrument, Miteq, Cobham, E2V, MA-COM, Hittite, Mini-Circuits, General Dynamics и др.);

Помимо этого, одним из направлений компании «ЭлектроПласт» является направление «Источники питания». Мы предлагаем Вам помощь Конструкторского отдела:

- Подбор оптимального решения, техническое обоснование при выборе компонента;
- Подбор аналогов;
- Консультации по применению компонента;
- Поставка образцов и прототипов;
- Техническая поддержка проекта;
- Защита от снятия компонента с производства.



Как с нами связаться

Телефон: 8 (812) 309 58 32 (многоканальный)

Факс: 8 (812) 320-02-42

Электронная почта: org@eplast1.ru

Адрес: 198099, г. Санкт-Петербург, ул. Калинина, дом 2, корпус 4, литера А.