



### Features

- 4A Source/Sink Drive Current
- Wide Operating Voltage Range: 4.5V to 35V
- -40°C to +125°C Extended Operating Temperature Range
- Logic Input Withstands Negative Swing of up to 5V
- Outputs May be Connected in Parallel for Higher Drive Current
- Matched Rise and Fall Times
- Low Propagation Delay Time
- Low, 10 $\mu$ A Supply Current
- Low Output Impedance

### Applications

- Efficient Power MOSFET and IGBT Switching
- Switch Mode Power Supplies
- Motor Controls
- DC to DC Converters
- Class-D Switching Amplifiers
- Pulse Transformer Driver



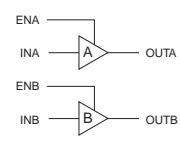
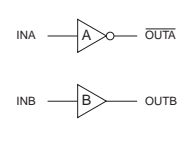
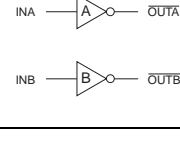
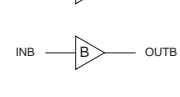
### Description

The IXDD604/IXDF604/IXDI604/IXDN604 dual high-speed gate drivers are especially well suited for driving the latest IXYS MOSFETs and IGBTs. Each of the two outputs can source and sink 4A of current while producing voltage rise and fall times of less than 10ns. The input of each driver is virtually immune to latch up, and proprietary circuitry eliminates cross conduction and current "shoot-through." Low propagation delay and fast, matched rise and fall times make the IXD\_604 family ideal for high-frequency and high-power applications.

The IXDD604 is a dual non-inverting driver with an enable. The IXDN604 is a dual non-inverting driver, the IXDI604 is a dual inverting driver, and the IXDF604 has one inverting driver and one non-inverting driver.

The IXD\_604 family is available in a standard 8-pin DIP (PI), 8-pin SOIC (SIA), 8-pin Power SOIC with an exposed metal back (SI), and an 8-pin DFN (D2) package.

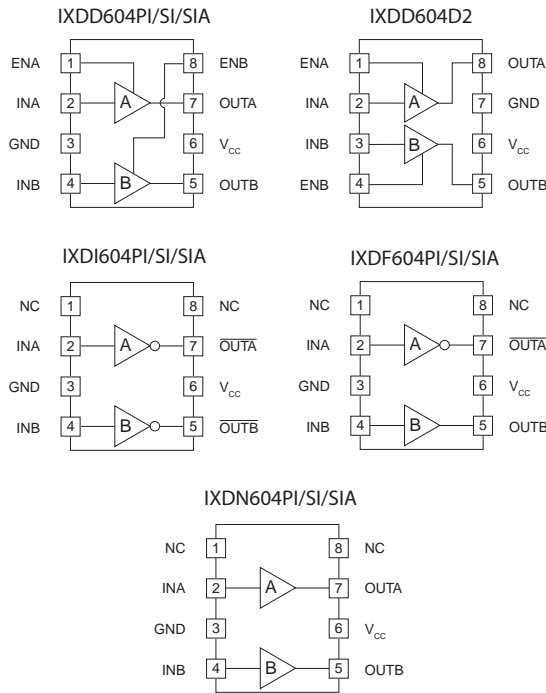
### Ordering Information

| Part Number  | Logic Configuration   | Package Type  | Packing Method | Quantity |
|--------------|---|---|----------------|----------|
| IXDD604D2TR  |  | 8-Pin DFN   | Tape & Reel    | 2000     |
| IXDD604PI    |   | 8-Pin DIP   | Tube           | 50       |
| IXDD604SI    |   | 8-Pin Power SOIC with Exposed Metal Back  | Tube           | 100      |
| IXDD604SITR  |   | 8-Pin Power SOIC with Exposed Metal Back  | Tape & Reel    | 2000     |
| IXDD604SIA   |   | 8-Pin SOIC  | Tube           | 100      |
| IXDD604SIATR |   | 8-Pin SOIC  | Tape & Reel    | 2000     |
| IXDF604PI    |  | 8-Pin DIP   | Tube           | 50       |
| IXDF604SI    |   | 8-Pin Power SOIC with Exposed Metal Back  | Tube           | 100      |
| IXDF604SITR  |   | 8-Pin Power SOIC with Exposed Metal Back  | Tape & Reel    | 2000     |
| IXDF604SIA   |   | 8-Pin SOIC  | Tube           | 100      |
| IXDF604SIATR |   | 8-Pin SOIC  | Tape & Reel    | 2000     |
| IXDI604PI    |   |  | 8-Pin DIP      | Tube     |
| IXDI604SI    | 8-Pin Power SOIC with Exposed Metal Back  |   | Tube           | 100      |
| IXDI604SITR  | 8-Pin Power SOIC with Exposed Metal Back  |   | Tape & Reel    | 2000     |
| IXDI604SIA   | 8-Pin SOIC  |   | Tube           | 100      |
| IXDI604SIATR | 8-Pin SOIC  |   | Tape & Reel    | 2000     |
| IXDN604PI    |  |   | 8-Pin DIP      | Tube     |
| IXDN604SI    |   | 8-Pin Power SOIC with Exposed Metal Back  | Tube           | 100      |
| IXDN604SITR  |   | 8-Pin Power SOIC with Exposed Metal Back  | Tape & Reel    | 2000     |
| IXDN604SIA   |   | 8-Pin SOIC  | Tube           | 100      |
| IXDN604SIATR |   | 8-Pin SOIC  | Tape & Reel    | 2000     |

|  |           |
|--|-----------|
| <b>1. Specifications</b> .....   | <b>3</b>  |
| 1.1 Pin Configurations .....   | 3         |
| 1.2 Pin Definitions .....  | 3         |
| 1.3 Absolute Maximum Ratings .....   | 3         |
| 1.4 Recommended Operating Conditions .....   | 3         |
| 1.5 Electrical Characteristics: $T_A = 25^{\circ}\text{C}$ .....                               | 4         |
| 1.6 Electrical Characteristics: $-40^{\circ}\text{C} \leq T_A \leq +125^{\circ}\text{C}$ ..... | 4         |
| 1.7 Thermal Characteristics .....  | 5         |
| <b>2. IXD_604 Performance</b> .....  | <b>5</b>  |
| 2.1 Timing Diagrams .....  | 5         |
| 2.2 Characteristics Test Diagram .....   | 5         |
| <b>3. Block Diagrams &amp; Truth Tables</b> .....  | <b>6</b>  |
| 3.1 IXDD604 .....  | 6         |
| 3.2 IXDI604 .....  | 6         |
| 3.3 IXDF604 .....  | 6         |
| 3.4 IXDN604 .....  | 6         |
| <b>4. Typical Performance Characteristics</b> .....  | <b>7</b>  |
| <b>5. Manufacturing Information</b> .....  | <b>10</b> |
| 5.1 Moisture Sensitivity .....   | 10        |
| 5.2 ESD Sensitivity .....  | 10        |
| 5.3 Soldering Profile .....  | 10        |
| 5.4 Board Wash .....   | 10        |
| 5.5 Mechanical Dimensions .....  | 11        |

# 1 Specifications

## 1.1 Pin Configurations



## 1.2 Pin Definitions

| Pin Name        | Description  |
|-----------------|--|
| INA             | Channel A Logic Input  |
| INB             | Channel B Logic Input  |
| ENA             | Channel A Enable Input - Drive pin low to disable Channel A and force Channel A Output to a high impedance state |
| ENB             | Channel B Enable Input - Drive pin low to disable Channel B and force Channel B Output to a high impedance state |
| OUTA<br>OUTA    | Channel A Output - Sources or sinks current to turn-on or turn-off a discrete MOSFET or IGBT                     |
| OUTB<br>OUTB    | Channel B Output - Sources or sinks current to turn-on or turn-off a discrete MOSFET or IGBT                     |
| V <sub>CC</sub> | Supply Voltage - Provides power to the device  |
| GND             | Ground - Common ground reference for the device  |

## 1.3 Absolute Maximum Ratings

| Parameter                     | Symbol                              | Minimum | Maximum              | Units |
|-------------------------------|-------------------------------------|---------|----------------------|-------|
| Supply Voltage                | V <sub>CC</sub>                     | -0.3    | 40                   | V     |
| Input Voltage                 | V <sub>INx</sub> , V <sub>ENx</sub> | -5      | V <sub>CC</sub> +0.3 | V     |
| Output Current                | I <sub>OUT</sub>                    | -       | ±4                   | A     |
| Output Pulsed Current (0.5μs) | I <sub>out_pulsed</sub>             | -       | ±5                   | A     |
| Junction Temperature          | T <sub>J</sub>                      | -55     | +150                 | °C    |
| Storage Temperature           | T <sub>STG</sub>                    | -65     | +150                 | °C    |

Absolute maximum electrical ratings are at 25°C

Absolute maximum ratings are stress ratings. Stresses in excess of these ratings can cause permanent damage to the device. Functional operation of the device at conditions beyond those indicated in the operational sections of this data sheet is not implied.

## 1.4 Recommended Operating Conditions

| Parameter                   | Symbol          | Range       | Units |
|-----------------------------|-----------------|-------------|-------|
| Supply Voltage              | V <sub>CC</sub> | 4.5 to 35   | V     |
| Operating Temperature Range | T <sub>A</sub>  | -40 to +125 | °C    |

**1.5 Electrical Characteristics:  $T_A = 25^\circ\text{C}$** 

 Test Conditions:  $4.5\text{V} \leq V_{CC} \leq 35\text{V}$ , one channel (unless otherwise noted).

| Parameter                                  | Conditions                                  | Symbol       | Minimum        | Typical | Maximum     | Units         |                  |
|--|---|--------------|----------------|---------|-------------|---------------|------------------|
| Input Voltage, High                        | $4.5\text{V} \leq V_{CC} \leq 18\text{V}$   | $V_{IH}$     | 3.0            | -       | -           | V             |                  |
| Input Voltage, Low                         | $4.5\text{V} \leq V_{CC} \leq 18\text{V}$   | $V_{IL}$     | -              | -       | 0.8         |               |                  |
| Input Current                              | $0\text{V} \leq V_{IN} \leq V_{CC}$         | $I_{IN}$     | -              | -       | $\pm 10$    | $\mu\text{A}$ |                  |
| High EN Input Voltage                      | IXDD604 only                                | $V_{ENH}$    | $2/3V_{CC}$    | -       | -           | V             |                  |
| Low EN Input Voltage                       | IXDD604 only                                | $V_{ENL}$    | -              | -       | $1/3V_{CC}$ |               |                  |
| Output Voltage, High                       | -   | $V_{OH}$     | $V_{CC}-0.025$ | -       | -           | V             |                  |
| Output Voltage, Low                        | -   | $V_{OL}$     | -              | -       | 0.025       |               |                  |
| Output Resistance, High State              | $V_{CC}=18\text{V}, I_{OUT}=-10\text{mA}$   | $R_{OH}$     | -              | 1.3     | 2.5         | $\Omega$      |                  |
| Output Resistance, Low State               | $V_{CC}=18\text{V}, I_{OUT}=10\text{mA}$    | $R_{OL}$     | -              | 1.1     | 2           |               |                  |
| Output Current, Continuous                 | Limited by package power dissipation        | $I_{DC}$     | -              | -       | $\pm 1$     | A             |                  |
| Rise Time                                  | $V_{CC}=18\text{V}, C_{LOAD}=1000\text{pF}$ | $t_r$        | -              | 9       | 16          | ns            |                  |
| Fall Time                                  | $V_{CC}=18\text{V}, C_{LOAD}=1000\text{pF}$ | $t_f$        | -              | 8       | 14          |               |                  |
| On-Time Propagation Delay                  | $V_{CC}=18\text{V}, C_{LOAD}=1000\text{pF}$ | $t_{ondly}$  | -              | 29      | 50          |               |                  |
| Off-Time Propagation Delay                 | $V_{CC}=18\text{V}, C_{LOAD}=1000\text{pF}$ | $t_{offdly}$ | -              | 35      | 50          |               |                  |
| Enable to Output-High Delay Time           | IXDD604 only, $V_{CC}=18\text{V}$           | $t_{ENOH}$   | -              | 35      | 55          |               |                  |
| Disable to High Impedance State Delay Time | IXDD604 only, $V_{CC}=18\text{V}$           | $t_{DOLD}$   | -              | 40      | 55          |               |                  |
| Enable Pull-Up Resistor                    | -   | $R_{EN}$     | -              | 200     | -           |               | $\text{k}\Omega$ |
| Power Supply Current                       | $V_{CC}=18\text{V}, V_{IN}=3.5\text{V}$     | $I_{CC}$     | -              | 1       | 3           |               | mA               |
|  | $V_{CC}=18\text{V}, V_{IN}=0\text{V}$       |              | -              | <1      | 10          |               |                  |
|  | $V_{CC}=18\text{V}, V_{IN}=V_{CC}$          |              | -              | <1      | 10          | $\mu\text{A}$ |                  |

**1.6 Electrical Characteristics:  $-40^\circ\text{C} \leq T_A \leq +125^\circ\text{C}$** 

 Test Conditions:  $4.5\text{V} \leq V_{CC} \leq 35\text{V}$ , one channel (unless otherwise noted).

| Parameter                                  | Conditions                                  | Symbol       | Minimum        | Maximum | Units         |    |
|--|---|--------------|----------------|---------|---------------|----|
| Input Voltage, High                        | $4.5\text{V} \leq V_{CC} \leq 18\text{V}$   | $V_{IH}$     | 3.3            | -       | V             |    |
| Input Voltage, Low                         | $4.5\text{V} \leq V_{CC} \leq 18\text{V}$   | $V_{IL}$     | -              | 0.65    |               |    |
| Input Current                              | $0\text{V} \leq V_{IN} \leq V_{CC}$         | $I_{IN}$     | -10            | 10      | $\mu\text{A}$ |    |
| Output Voltage, High                       | -   | $V_{OH}$     | $V_{CC}-0.025$ | -       | V             |    |
| Output Voltage, Low                        | -   | $V_{OL}$     | -              | 0.025   |               |    |
| Output Resistance, High State              | $V_{CC}=18\text{V}, I_{OUT}=-10\text{mA}$   | $R_{OH}$     | -              | 3       | $\Omega$      |    |
| Output Resistance, Low State               | $V_{CC}=18\text{V}, I_{OUT}=10\text{mA}$    | $R_{OL}$     | -              | 2.5     |               |    |
| Output Current, Continuous                 | Limited by package power dissipation        | $I_{DC}$     | -              | $\pm 1$ | A             |    |
| Rise Time                                  | $V_{CC}=18\text{V}, C_{LOAD}=1000\text{pF}$ | $t_r$        | -              | 16      | ns            |    |
| Fall Time                                  | $V_{CC}=18\text{V}, C_{LOAD}=1000\text{pF}$ | $t_f$        | -              | 14      |               |    |
| On-Time Propagation Delay                  | $V_{CC}=18\text{V}, C_{LOAD}=1000\text{pF}$ | $t_{ondly}$  | -              | 65      |               |    |
| Off-Time Propagation Delay                 | $V_{CC}=18\text{V}, C_{LOAD}=1000\text{pF}$ | $t_{offdly}$ | -              | 65      |               |    |
| Enable to Output-High Delay Time           | IXDD604 only, $V_{CC}=18\text{V}$           | $t_{ENOH}$   | -              | 65      |               |    |
| Disable to High Impedance State Delay Time | IXDD604 only, $V_{CC}=18\text{V}$           | $t_{DOLD}$   | -              | 65      |               |    |
| Power Supply Current                       | $V_{CC}=18\text{V}, V_{IN}=3.5\text{V}$     | $I_{CC}$     | -              | 3.5     |               | mA |
|  | $V_{CC}=18\text{V}, V_{IN}=0\text{V}$       |              | -              | 150     |               |    |
|  | $V_{CC}=18\text{V}, V_{IN}=V_{CC}$          |              | -              | 150     | $\mu\text{A}$ |    |

### 1.7 Thermal Characteristics

| Package               | Parameter                               | Symbol        | Rating | Units |
|-----------------------|---|---------------|--------|-------|
| D2 (8-Pin DFN)        | Thermal Resistance, Junction-to-Ambient | $\theta_{JA}$ | 35     | °C/W  |
| PI (8-Pin DIP)        |   |               | 125    |       |
| SI (8-Pin Power SOIC) |   |               | 85     |       |
| SIA (8-Pin SOIC)      |   |               | 120    |       |
| SI (8-Pin Power SOIC) | Thermal Resistance, Junction-to-Case    | $\theta_{JC}$ | 10     | °C/W  |

## 2 IXD\_604 Performance

### 2.1 Timing Diagrams



### 2.2 Characteristics Test Diagram



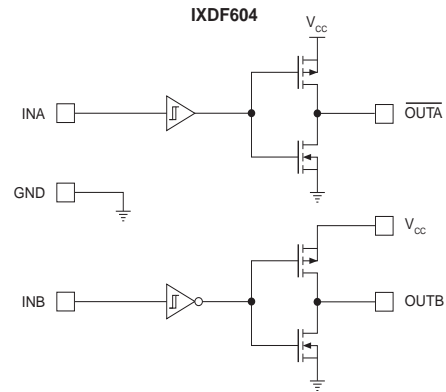
### 3 Block Diagrams & Truth Tables

#### 3.1 IXDD604



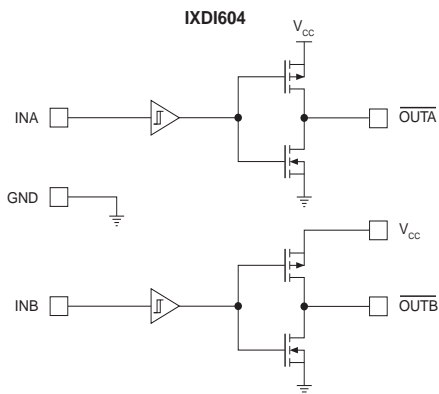
| IN <sub>x</sub> | EN <sub>x</sub> | OUT <sub>x</sub> |
|-----------------|-----------------|------------------|
| 0               | 1 or open       | 0                |
| 1               | 1 or open       | 1                |
| 0               | 0               | Z                |
| 1               | 0               | Z                |

#### 3.3 IXDF604



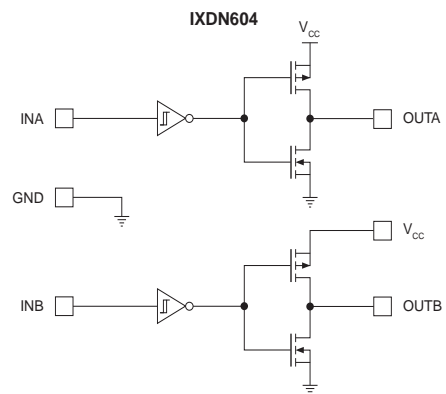
| INA | $\overline{OUTA}$ |
|-----|-------------------|
| 0   | 1                 |
| 1   | 0                 |
| INB | OUTB              |
| 0   | 0                 |
| 1   | 1                 |

#### 3.2 IXDI604



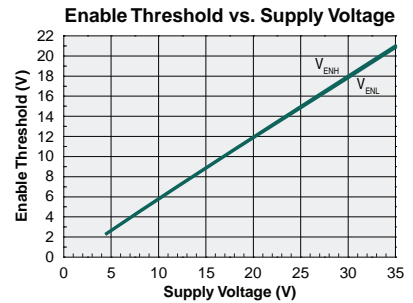
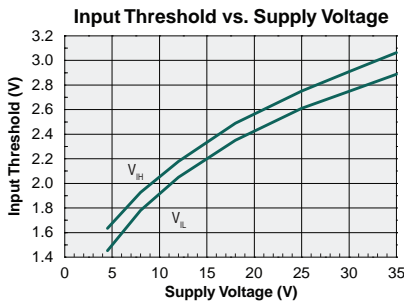
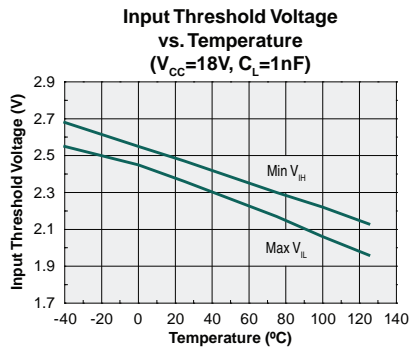
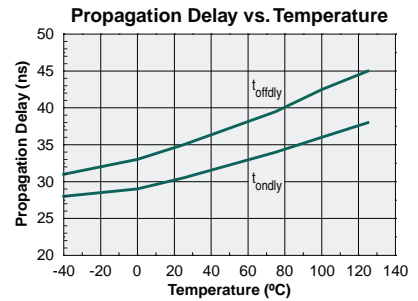
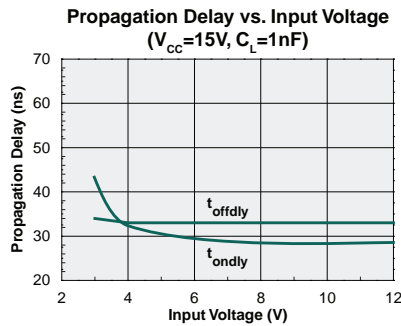
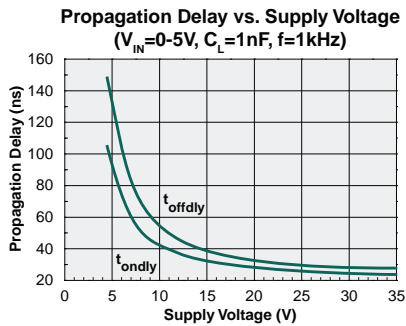
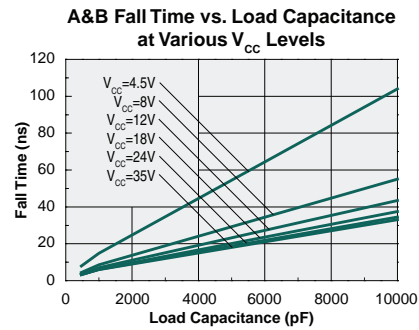
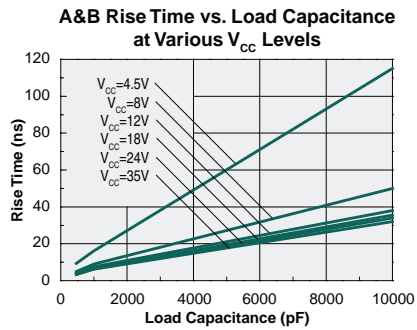
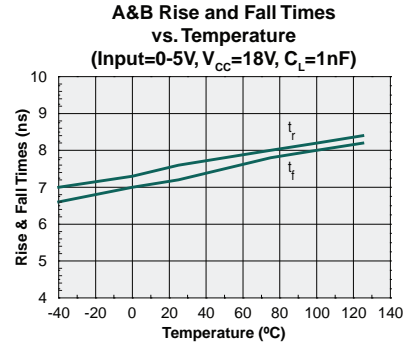
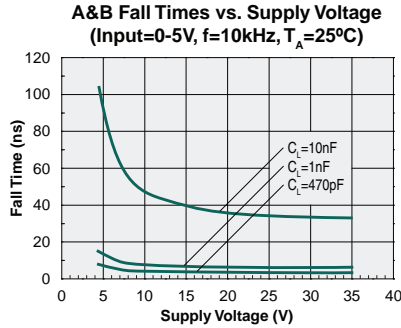
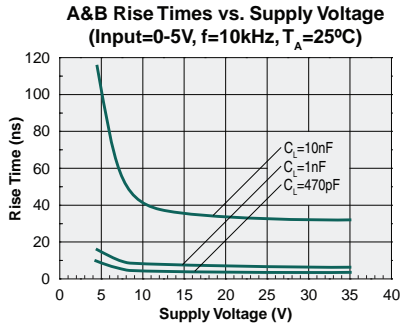
| IN <sub>x</sub> | $\overline{OUT_x}$ |
|-----------------|--------------------|
| 0               | 1                  |
| 1               | 0                  |

#### 3.4 IXDN604

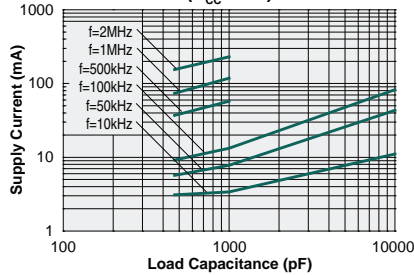


| IN <sub>x</sub> | OUT <sub>x</sub> |
|-----------------|------------------|
| 0               | 0                |
| 1               | 1                |

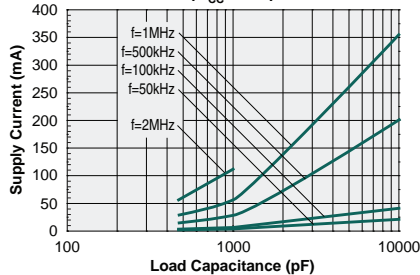
## 4 Typical Performance Characteristics



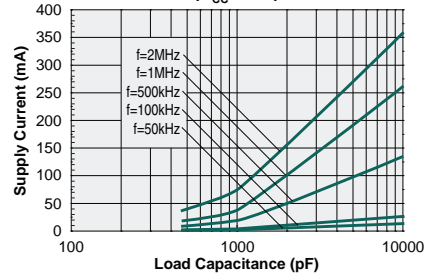
**Supply Current vs. Load Capacitance**  
Both Outputs Active  
( $V_{CC}=35V$ )



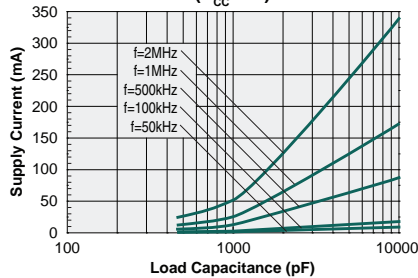
**Supply Current vs. Load Capacitance**  
Both Outputs Active  
( $V_{CC}=18V$ )



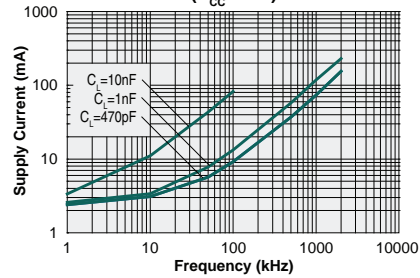
**Supply Current vs. Load Capacitance**  
Both Outputs Active  
( $V_{CC}=12V$ )



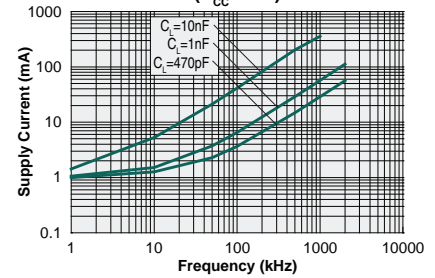
**Supply Current vs. Load Capacitance**  
Both Outputs Active  
( $V_{CC}=8V$ )



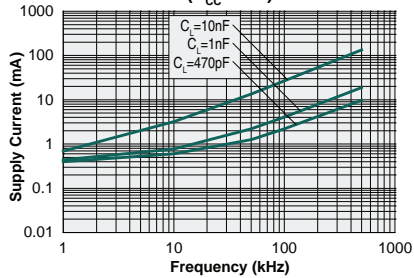
**Supply Current vs. Frequency**  
Both Outputs Active  
( $V_{CC}=35V$ )



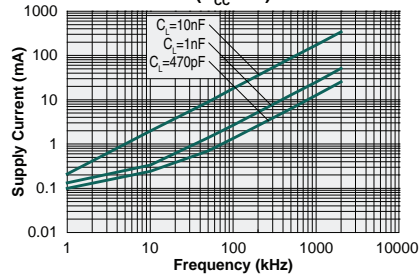
**Supply Current vs. Frequency**  
Both Outputs Active  
( $V_{CC}=18V$ )



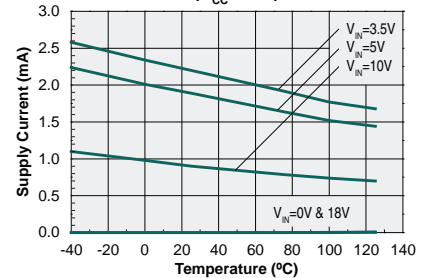
**Supply Current vs. Frequency**  
Both Outputs Active  
( $V_{CC}=12V$ )



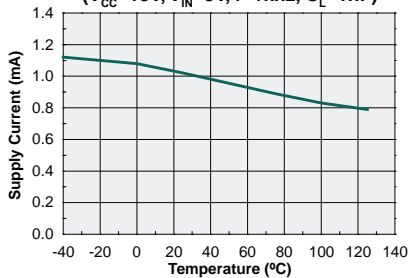
**Supply Current vs. Frequency**  
Both Outputs Active  
( $V_{CC}=8V$ )



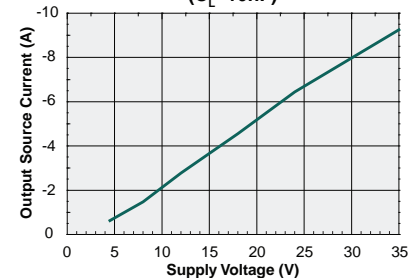
**Quiescent Supply Current vs. Temperature**  
( $V_{CC}=18V$ )



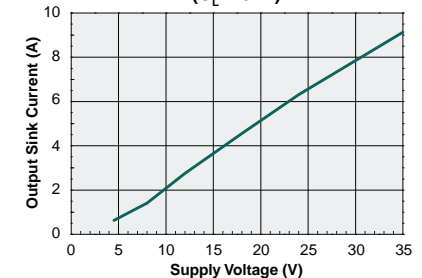
**Dynamic Supply Current vs. Temperature**  
( $V_{CC}=18V, V_{IN}=5V, f=1kHz, C_L=1nF$ )



**Output Source Current vs. Supply Voltage**  
( $C_L=10nF$ )



**Output Sink Current vs. Supply Voltage**  
( $C_L=10nF$ )







## 5 Manufacturing Information

### 5.1 Moisture Sensitivity



All plastic encapsulated semiconductor packages are susceptible to moisture ingress. IXYS Integrated Circuits Division classifies its plastic encapsulated devices for moisture sensitivity according to the latest version of the joint industry standard, **IPC/JEDEC J-STD-020**, in force at the time of product evaluation.

We test all of our products to the maximum conditions set forth in the standard, and guarantee proper operation of our devices when handled according to the limitations and information in that standard as well as to any limitations set forth in the information or standards referenced below.

Failure to adhere to the warnings or limitations as established by the listed specifications could result in reduced product performance, reduction of operable life, and/or reduction of overall reliability.

This product carries a **Moisture Sensitivity Level (MSL)** classification as shown below, and should be handled according to the requirements of the latest version of the joint industry standard **IPC/JEDEC J-STD-033**.

| Device               | Moisture Sensitivity Level (MSL) Classification |
|----------------------|---|
| IXD_604 All Versions | MSL 1   |

### 5.2 ESD Sensitivity



This product is **ESD Sensitive**, and should be handled according to the industry standard **JESD-625**.

### 5.3 Soldering Profile

Provided in the table below is the Classification Temperature ( $T_C$ ) of this product and the maximum dwell time the body temperature of this device may be ( $T_C - 5$ )°C or greater. The classification temperature sets the Maximum Body Temperature allowed for this device during lead-free reflow processes. For through-hole devices, and any other processes, the guidelines of J-STD-020 must be observed.

| Device                             | Classification Temperature ( $T_C$ ) | Dwell Time ( $t_p$ ) | Max Reflow Cycles |
|------------------------------------|--------------------------------------|----------------------|-------------------|
| IXD_604SI / IXD_604SIA / IXD_604D2 | 260°C                                | 30 seconds           | 3                 |
| IXD_604PI                          | 250°C                                | 30 seconds           | -                 |

### 5.4 Board Wash

IXYS Integrated Circuits Division recommends the use of no-clean flux formulations. Board washing to reduce or remove flux residue following the solder reflow process is acceptable provided proper precautions are taken to prevent damage to the device. These precautions include but are not limited to: using a low pressure wash and providing a follow up bake cycle sufficient to remove any moisture trapped within the device due to the washing process. Due to the variability of the wash parameters used to clean the board, determination of the bake temperature and duration necessary to remove the moisture trapped within the package is the responsibility of the user (assembler). Cleaning or drying methods that employ ultrasonic energy may damage the device and should not be used. Additionally, the device must not be exposed to flux or solvents that are Chlorine- or Fluorine-based



### 5.5 Mechanical Dimensions

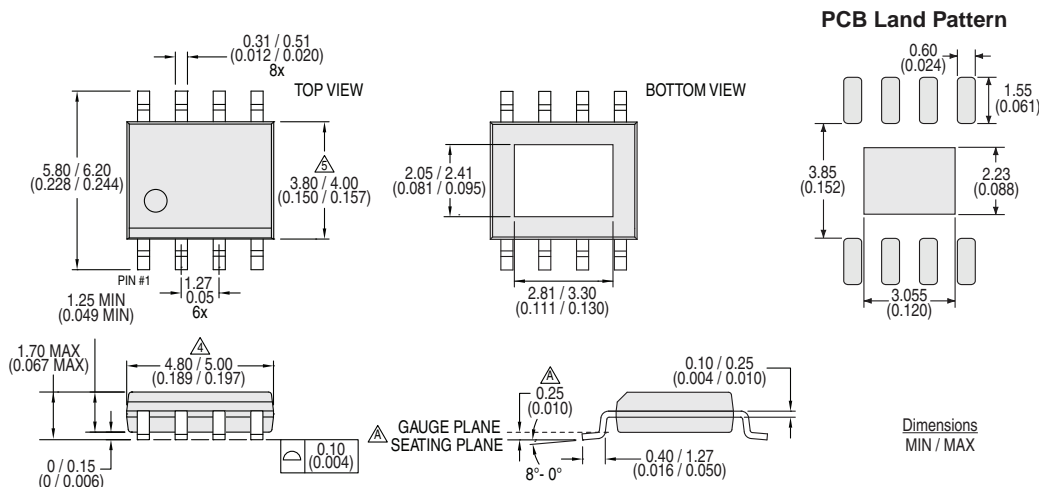
#### 5.5.1 SIA (8-Pin SOIC)



**Notes:**

1. Controlling dimension: millimeters.
2. All dimensions are in mm (inches).
3. This package conforms to JEDEC Standard MS-012, variation AA, Rev. F.
4. Dimension does not include mold flash, protrusions, or gate burrs. Mold flash, protrusions, or gate burrs shall not exceed 0.15mm per end.
5. Dimension does not include interlead flash or protrusion. Interlead flash or protrusion shall not exceed 0.25mm per side.
6. Lead thickness includes plating.

#### 5.5.2 SI (8-Pin Power SOIC with Exposed Metal Back)



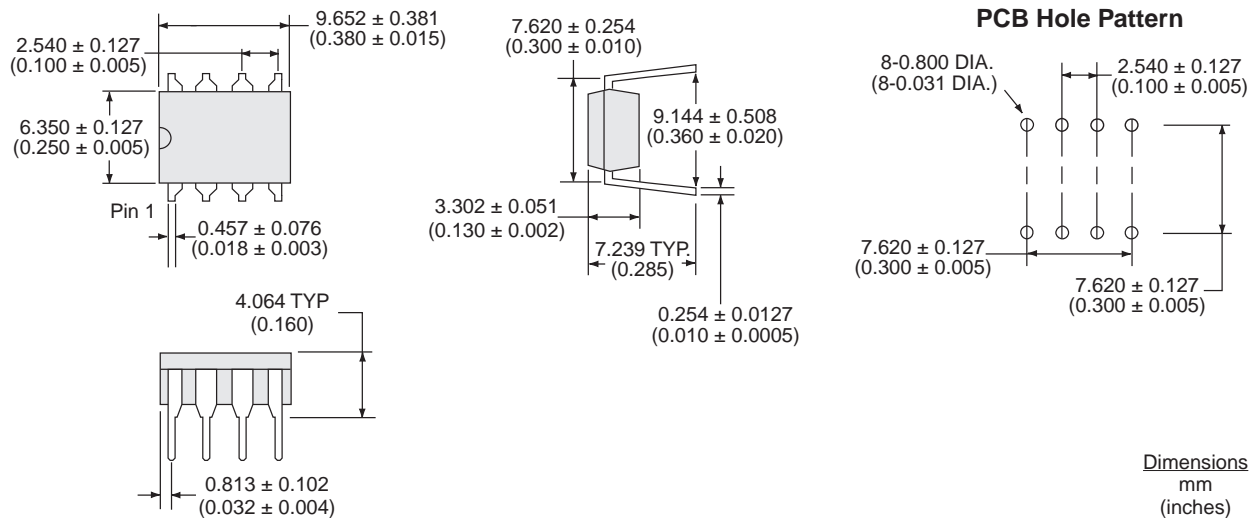
**Notes:**

1. Controlling dimension: millimeters.
2. All dimensions are in mm (inches).
3. This package conforms to JEDEC Standard MS-012, variation BA, Rev. F.
4. Dimension does not include mold flash, protrusions, or gate burrs. Mold flash, protrusions, or gate burrs shall not exceed 0.15mm per end.
5. Dimension does not include interlead flash or protrusion. Interlead flash or protrusion shall not exceed 0.25mm per side.
6. The exposed metal pad on the back of the package should be connected to GND. It is not suitable for carrying current.
7. Lead thickness includes plating.

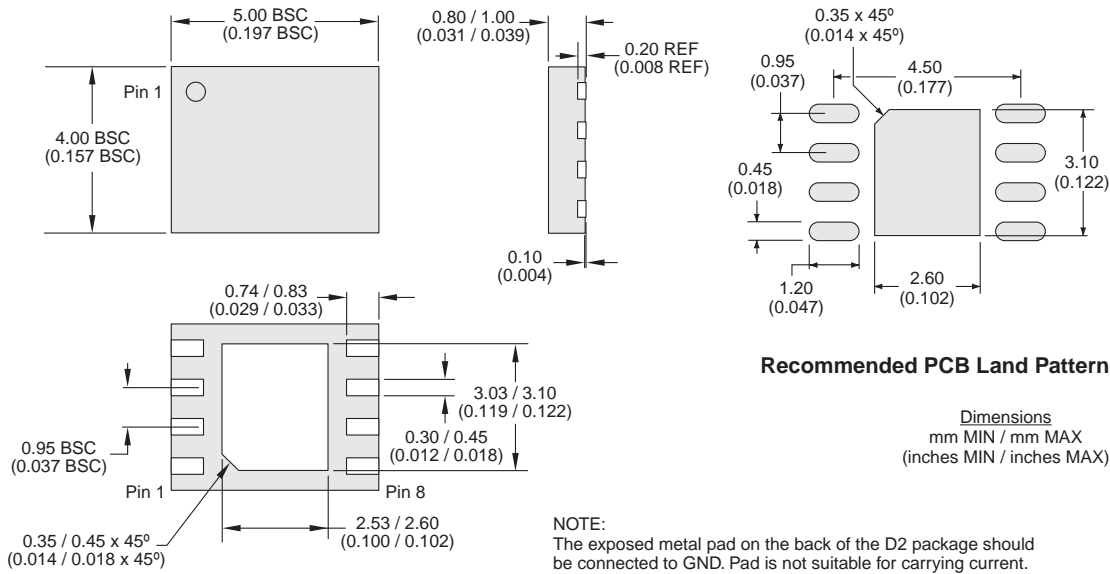
5.5.3 Tape & Reel Information for SI and SIA Packages



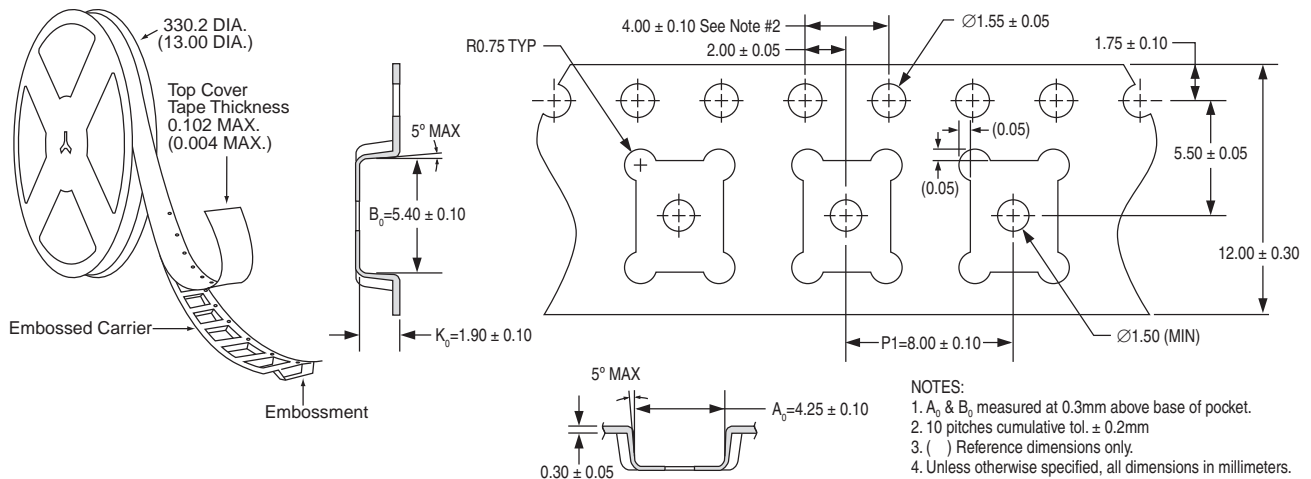
5.5.4 PI (8-Pin DIP)



5.5.5 D2 (8-Pin DFN)



5.5.6 Tape & Reel Information for D2 Package



For additional information please visit our website at: [www.ixysic.com](http://www.ixysic.com)

IXYS Integrated Circuits Division makes no representations or warranties with respect to the accuracy or completeness of the contents of this publication and reserves the right to make changes to specifications and product descriptions at any time without notice. Neither circuit patent licenses nor indemnity are expressed or implied. Except as set forth in IXYS Integrated Circuits Division's Standard Terms and Conditions of Sale, IXYS Integrated Circuits Division assumes no liability whatsoever, and disclaims any express or implied warranty, relating to its products including, but not limited to, the implied warranty of merchantability, fitness for a particular purpose, or infringement of any intellectual property right.

The products described in this document are not designed, intended, authorized or warranted for use as components in systems intended for surgical implant into the body, or in other applications intended to support or sustain life, or where malfunction of IXYS Integrated Circuits Division's product may result in direct physical harm, injury, or death to a person or severe property or environmental damage. IXYS Integrated Circuits Division reserves the right to discontinue or make changes to its products at any time without notice.

Specification: DS-IXD\_604-R09  
©Copyright 2017, IXYS Integrated Circuits Division  
All rights reserved. Printed in USA.  
10/25/2017



Компания «ЭлектроПласт» предлагает заключение долгосрочных отношений при поставках импортных электронных компонентов на взаимовыгодных условиях!

Наши преимущества:

- Оперативные поставки широкого спектра электронных компонентов отечественного и импортного производства напрямую от производителей и с крупнейших мировых складов;
- Поставка более 17-ти миллионов наименований электронных компонентов;
- Поставка сложных, дефицитных, либо снятых с производства позиций;
- Оперативные сроки поставки под заказ (от 5 рабочих дней);
- Экспресс доставка в любую точку России;
- Техническая поддержка проекта, помощь в подборе аналогов, поставка прототипов;
- Система менеджмента качества сертифицирована по Международному стандарту ISO 9001;
- Лицензия ФСБ на осуществление работ с использованием сведений, составляющих государственную тайну;
- Поставка специализированных компонентов (Xilinx, Altera, Analog Devices, Intersil, Interpoint, Microsemi, Aeroflex, Peregrine, Syfer, Eurofarad, Texas Instrument, Miteq, Cobham, E2V, MA-COM, Hittite, Mini-Circuits, General Dynamics и др.);

Помимо этого, одним из направлений компании «ЭлектроПласт» является направление «Источники питания». Мы предлагаем Вам помощь Конструкторского отдела:

- Подбор оптимального решения, техническое обоснование при выборе компонента;
- Подбор аналогов;
- Консультации по применению компонента;
- Поставка образцов и прототипов;
- Техническая поддержка проекта;
- Защита от снятия компонента с производства.



#### Как с нами связаться

**Телефон:** 8 (812) 309 58 32 (многоканальный)

**Факс:** 8 (812) 320-02-42

**Электронная почта:** [org@eplast1.ru](mailto:org@eplast1.ru)

**Адрес:** 198099, г. Санкт-Петербург, ул. Калинина, дом 2, корпус 4, литера А.