

**PLEASE CHECK WWW.MOLEX.COM FOR LATEST PART INFORMATION**

**Part Number:** [0541324362](#)  
**Status:** **Active**  
**Overview:** [ffc\\_fpc\\_smt](#)  
**Description:** 0.50mm (.020") Pitch FFC/FPC Connector, Right Angle, SMT, ZIF, Bottom Contact Style, 43 Circuits, 0.1µm (4µ") Gold (Au) Contact Plating

**Documents:**

[3D Model](#) [Product Specification PS-54132-061 \(PDF\)](#)  
[Drawing \(PDF\)](#) [RoHS Certificate of Compliance \(PDF\)](#)

**Agency Certification**

UL E29179

**General**

Product Family FFC/FPC Connectors  
 Series [54132](#)  
 Overview [ffc\\_fpc\\_smt](#)  
 Product Name N/A

**Physical**

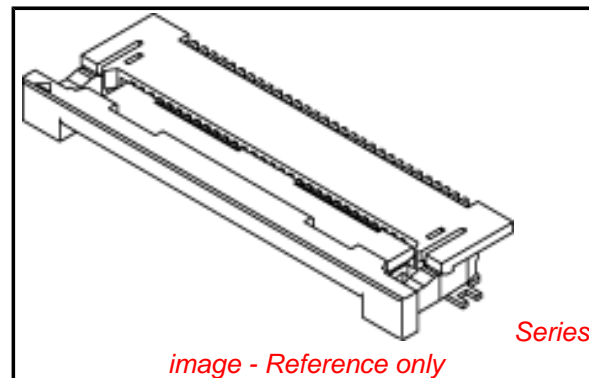
Circuits (Loaded) 43  
 Color - Resin Black, Natural  
 Contact Position Bottom  
 Durability (mating cycles max) 20  
 Entry Angle 90° Angle  
 Flammability 94V-0  
 Mated Height (in) 0.079 In  
 Mated Height (mm) 2.00 mm  
 Material - Metal Phosphor Bronze  
 Material - Plating Mating Gold  
 Material - Plating Termination Gold  
 Material - Resin High Temperature Thermoplastic  
 Number of Rows 1  
 Orientation Right Angle  
 PCB Locator No  
 PCB Retention Yes  
 Packaging Type Embossed Tape on Reel  
 Pitch - Mating Interface (in) 0.020 In  
 Pitch - Mating Interface (mm) 0.50 mm  
 Plating min: Mating (µin) 4  
 Plating min: Mating (µm) 0.1  
 Plating min: Termination (µin) 2  
 Plating min: Termination (µm) 0.05  
 Polarized to PCB Yes  
 Stackable No  
 Surface Mount Compatible (SMC) N/A  
 Temperature Range - Operating -20°C to +85°C  
 Termination Interface: Style Surface Mount  
 Wire/Cable Type FFC/FPC

**Electrical**

Current - Maximum per Contact 0.5A  
 Voltage - Maximum 50V

**Material Info**

**Reference - Drawing Numbers**



**EU RoHS**

**ELV and RoHS Compliant**

**REACH SVHC**

Not Reviewed

**Halogen-Free**

**Status**

**Not Halogen-Free**

**Need more information on product environmental compliance?**

Email [productcompliance@molex.com](mailto:productcompliance@molex.com)  
 For a multiple part number RoHS Certificate of Compliance, [click here](#)

Please visit the [Contact Us](#) section for any non-product compliance questions.

**China RoHS**

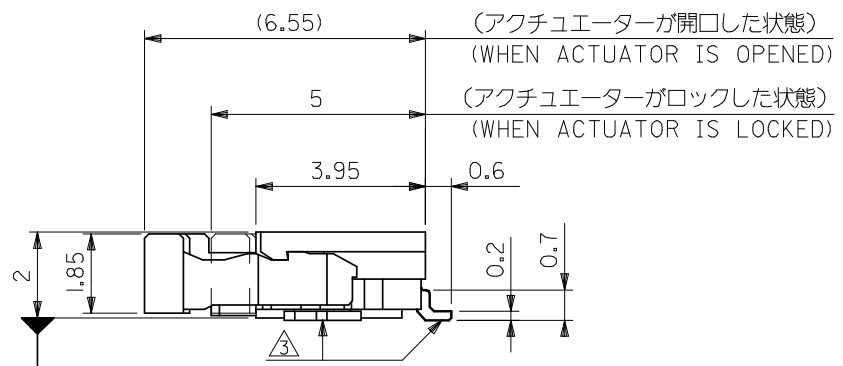
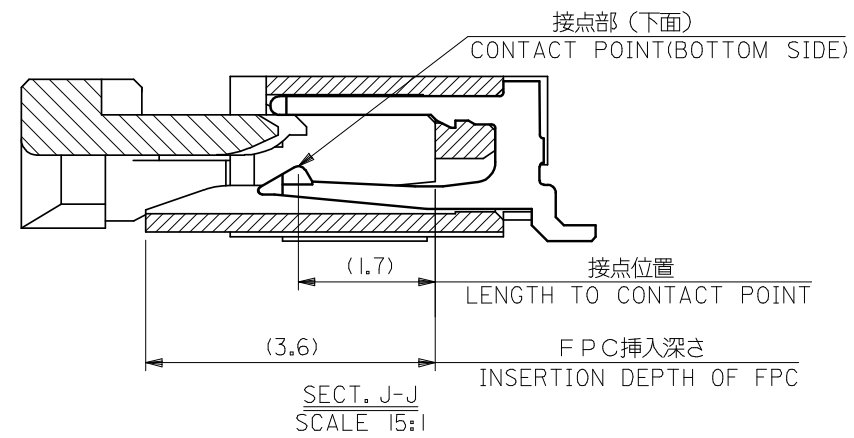
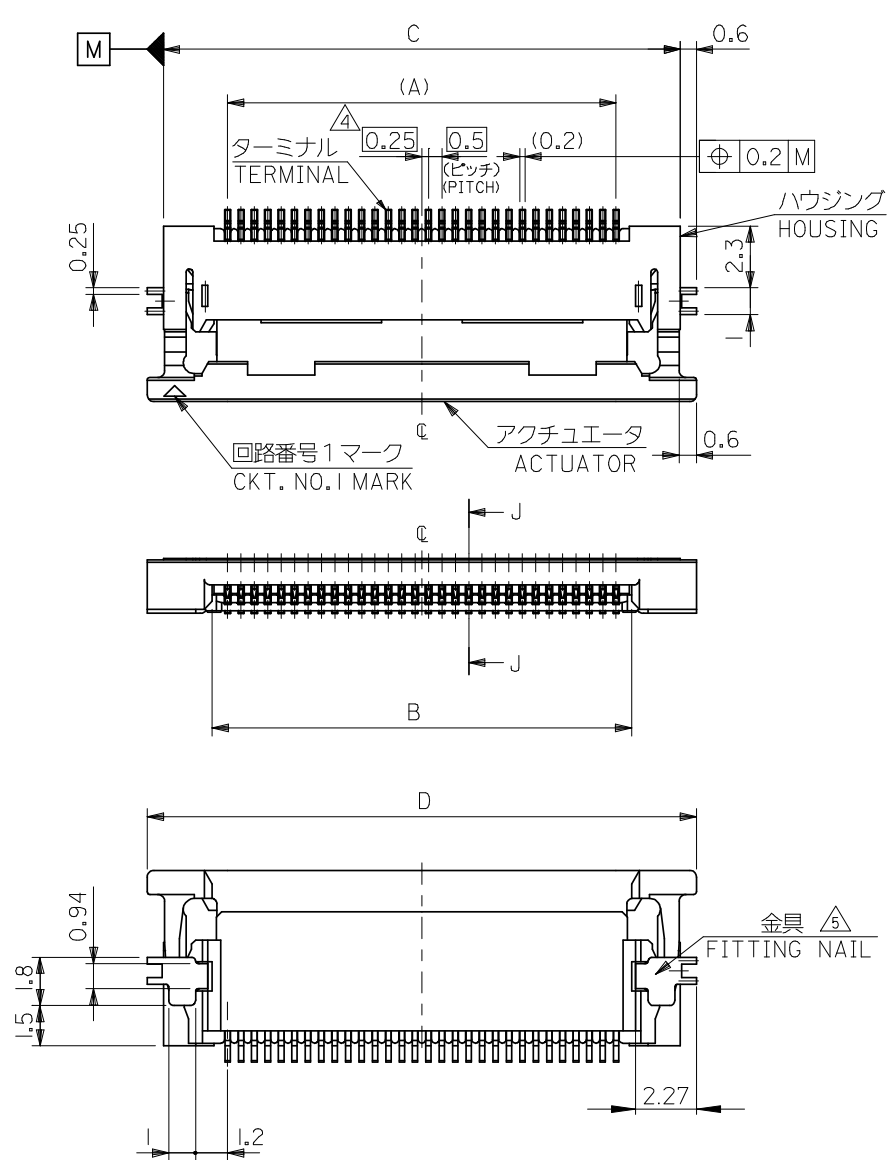


**Search Parts in this Series**

[54132Series](#)

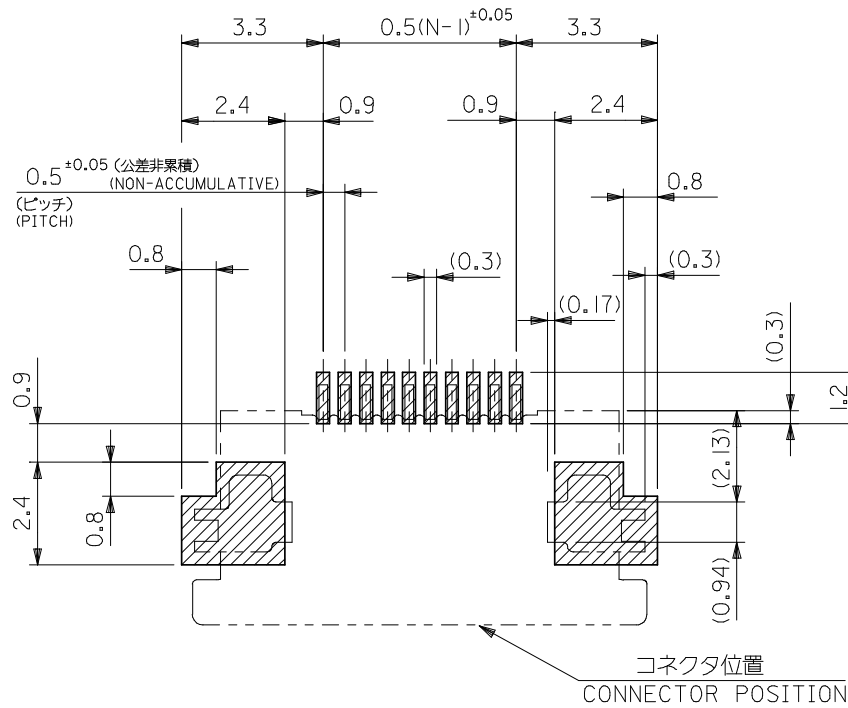
This document was generated on 06/07/2010

**PLEASE CHECK [WWW.MOLEX.COM](http://WWW.MOLEX.COM) FOR LATEST PART INFORMATION**

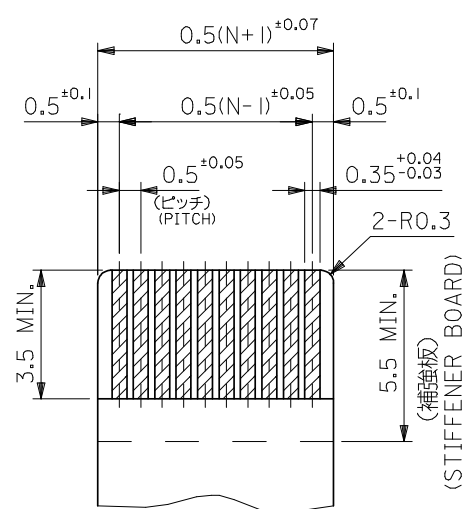


30.5	29.3	25.65	24.5	54132-5062	54132-5068	50
28.0	26.8	23.15	22.0	54132-4562	54132-4568	45
27.0	25.8	22.15	21.0	54132-4362	54132-4368	43
25.5	24.3	20.65	19.5	54132-4062	54132-4068	40
24.5	23.3	19.65	18.5	54132-3862	54132-3868	38
23.5	22.3	18.65	17.5	54132-3662	54132-3668	36
23.0	21.8	18.15	17.0	54132-3562	54132-3568	35
22.5	21.3	17.65	16.5	54132-3462	54132-3468	34
22.0	20.8	17.15	16.0	54132-3362	54132-3368	33
21.5	20.3	16.65	15.5	54132-3262	54132-3268	32
20.5	19.3	15.65	14.5	54132-3062	54132-3068	30
D	C	B	A	EMBOSSED TAPE		MATERIAL. NO.
				ORDER No. オーダー番号		CKT.

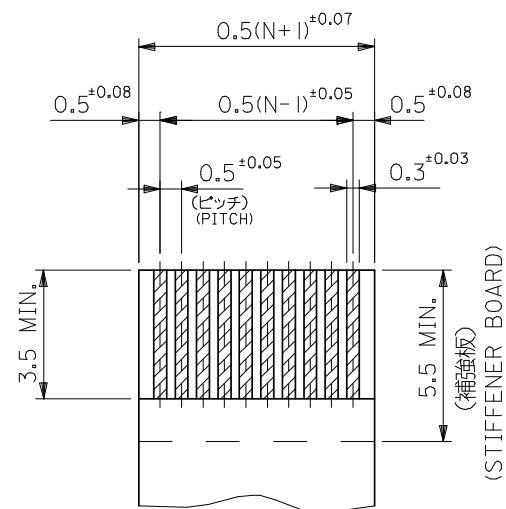
REVISED EC NO: J2008-4308 DRWN: MWABEL 2008/06/27 CH'KD: THARUYAMA 2008/06/30 APPR: NUKITA 2008/06/30	GENERAL TOLERANCES (UNLESS SPECIFIED)		DIMENSION STYLE MM ONLY		SCALE ---	DESIGN UNITS METRIC	THIRD ANGLE PROJECTION
	10 UNDER	±0.2	DRAWN BY M.UMEDA	DATE 2004/09/27	TITLE 0.5 FPC CONN. HSG ASSY BTM CONTACT GOLD PLATING -LEAD FREE-(NI-BARRIER)		
	10 OVER 30 UNDER	±0.25	CHECKED BY K.TOYODA	DATE 2004/09/27	MOLEX INCORPORATED		
	30 OVER	±0.3	APPROVED BY N.UKITA	DATE 2004/09/27	MATERIAL NO.	DOCUMENT NO.	SHEET NO.
	ANGULAR ±3 °		DRAFT WHERE APPLICABLE MUST REMAIN WITHIN DIMENSIONS		SEE TABLE	SD-54132-064	1 OF 4
THIS DRAWING CONTAINS INFORMATION THAT IS PROPRIETARY TO MOLEX INCORPORATED AND SHOULD NOT BE USED WITHOUT WRITTEN PERMISSION							



参考基板レイアウト  
RECOMMENDED PC BOARD PATTERN DIMENSION(REF.)  
(マウント面)  
(MOUNTING SIDE)



適用FPC推奨寸法  
APPLICABLE FPC RECOMMENDED DIMENSION  
(仕上がり厚さ: 0.3±0.03)  
(THICKNESS: 0.3±0.03)



適用FFC推奨寸法  
APPLICABLE FFC RECOMMENDED DIMENSION  
(仕上がり厚さ: 0.3±0.03)  
(THICKNESS: 0.3±0.03)

注記  
NOTES

1. 使用材料 MATERIAL : 46ナイロン, UL 94V-0 : 46NYLON  
ハウジング HOUSING : PPS, UL 94V-0 : PPS  
アクチュエーター ACTUATOR : 金メッキ  
ターミナル TERMINAL : コンタクト部 0.1 MICRO METER MIN. : テール部 0.05 MICRO METER MIN. : ニッケル下地 1.0 MICRO METER MIN. : GOLD PLATING : CONTACT PORTION : 0.1 MICRO METER MIN. : TAIL PORTION : 0.05 MICRO METER MIN. : NI-PLATING : 0.1 MICRO METER MIN.  
金具 FITTING NAIL : リン青銅 (t=0.2)、鍍メッキ 1.0~3.0 MICRO METER MIN. : ニッケル下地 1.0~3.0 MICRO METER MIN. : PHOS-BRO, TIN-PLATE 1.0~3.0 MICRO METER MIN. : OVER NICKEL 1.0~3.0 MICRO METER MIN.

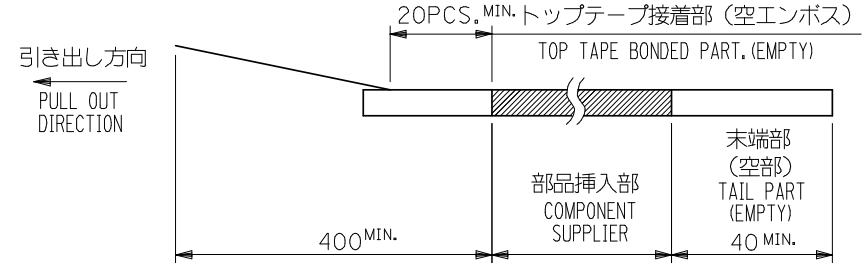
2. エンボステーブ梱包時は、アクチュエーターがロックした状態とする。  
IN THE PACKAGE, ACTUATOR OF PART NO.54132-\*\*69 SHOULD BE LOCKED.
3. ソルダータール半田付け面のズレ量、及び金具半田付け面のズレ量は、基準面 田に対し上方向0.1MAX、下方向0.15MAXとする。  
MISALIGNMENT OF SOLDER TAILS AND FITTING NAIL FROM 田 UPPER DIRECTION: 0.1 MAX., LOWER DIRECTION: 0.15 MAX.
4. 偶数極に適用  
APPLY FOR EVEN CIRCUIT.
5. パターンはくり止め用金具  
FITTING NAIL FOR PREVENTION OF PEELING OF P.C.B. PATTERN.
6. 本製品は54132-\*\*61に対するニッケルバリア品である。  
THIS PRODUCT IS Ni-BARRIER OF 54132-\*\*61.

FPC/FFCについて:  
打抜き方向は導体側から補強板側を推奨いたします。  
導体部については軟銅箔35マイクロメートルまたは50マイクロメートル  
RECOMMENDED PUNCHER DIRECTION:  
FROM CONDUCTOR SIDE TO STIFFENER BOARD SIDE.  
RECOMMENDED CONDUCTOR SPEC:  
THICKNESS OF SOFT COPPER FOIL : 35 micrometer or 50 micrometer  
FPCについて:  
補強フィルム材質はポリイミドを推奨いたします。  
接着剤は熱硬化接着剤を推奨いたします。  
RECOMMENDED MATERIAL:  
STIFFENER FILM : POLYIMIDE  
BONDING AGENT : THERMOSETTING BONDING AGENT

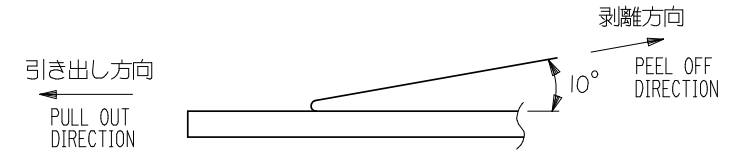
REVISED EC NO: J2008-4308 DRWN: WABEI CHKD: THARYAMA APPR: NUKITA	GENERAL TOLERANCES (UNLESS SPECIFIED)		DIMENSION STYLE	SCALE	DESIGN UNITS	THIRD ANGLE PROJECTION
			MM ONLY	---	METRIC	
	10 UNDER	±0.2	DRAWN BY	DATE	TITLE	
	10 OVER 30 UNDER	±0.25	M. UMEDA	2004/09/27	0.5 FPC CONN. HSG ASSY BTM CONTACT GOLD PLATING -LEAD FREE-(NI-BARRIER)	
	30 OVER	±0.3	CHECKED BY	DATE		
ANGULAR	±3 °	K. TOYODA	2004/09/27	MOLEX INCORPORATED		
DRAFT WHERE APPLICABLE MUST REMAIN WITHIN DIMENSIONS		APPROVED BY	DATE			
		N. UKITA	2004/09/27	MATERIAL NO.	DOCUMENT NO.	SHEET NO.
		SEE SHEET 1		SD-54132-064		2 OF 4
THIS DRAWING CONTAINS INFORMATION THAT IS PROPRIETARY TO MOLEX INCORPORATED AND SHOULD NOT BE USED WITHOUT WRITTEN PERMISSION						

NOTES

1. 梱包数量：1500個/リール  
NUMBER OF CONNECTORS : 1500PCS/REEL
2. リードテープ長さ LEAD TAPE LENGTH



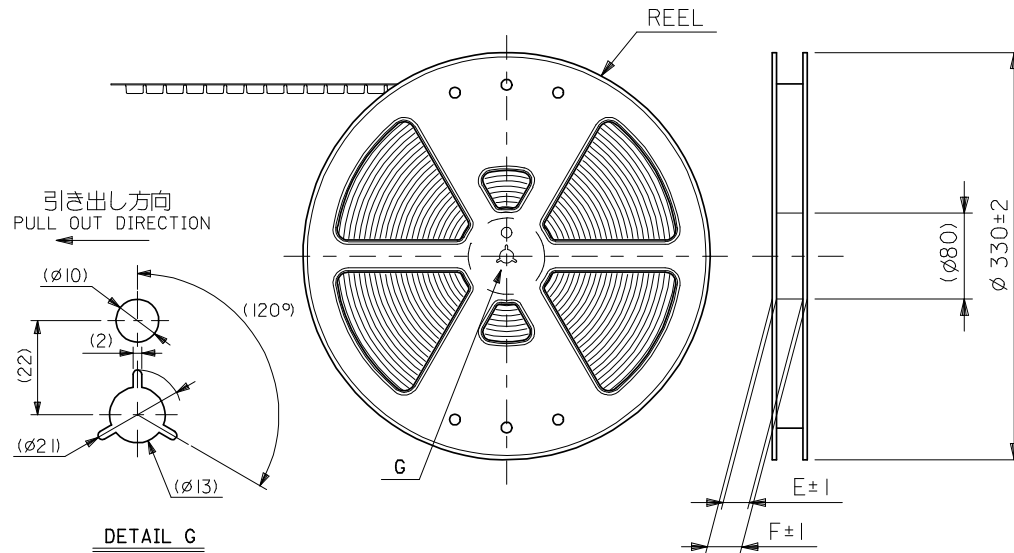
3. トップテープの剥離強度：0.1N ~ 1.3N (10gf ~ 130gf)  
(剥離方向は下図参照)  
尚、本規格値は出荷時に適用。(但し、輸送時に剥離が発生しないこと。)  
PEELING OFF FORCE OF TOP TAPE : 0.1N ~ 1.3N (10gf ~ 130gf)  
(PEELING DIRECTION AS SHOWN IN FOLLOWING FIG.)  
THIS REQUIREMENT SHOULD BE APPLIED AT SHIPMENT.  
PEEL OFF SHOULD NOT BE ALLOWED , DURING TRANSPORTATION.



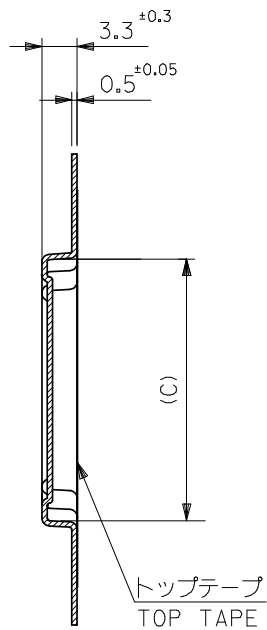
5. 材料  
キャリアテープ：ポリプロピレン (PP)  
トップテープ：PET, PE, PEF  
リール：ポリスチレン (PS) <リサイクル材を含む>

MATERIAL CARRIER TAPE: POLYPROPYLENE  
TOP TAPE: PET, PE, PEF  
REEL: POLYSTYREN (PS)  
<RECYCLE MATERIAL CONTAINED>

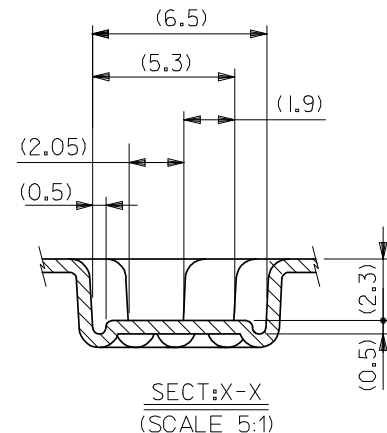
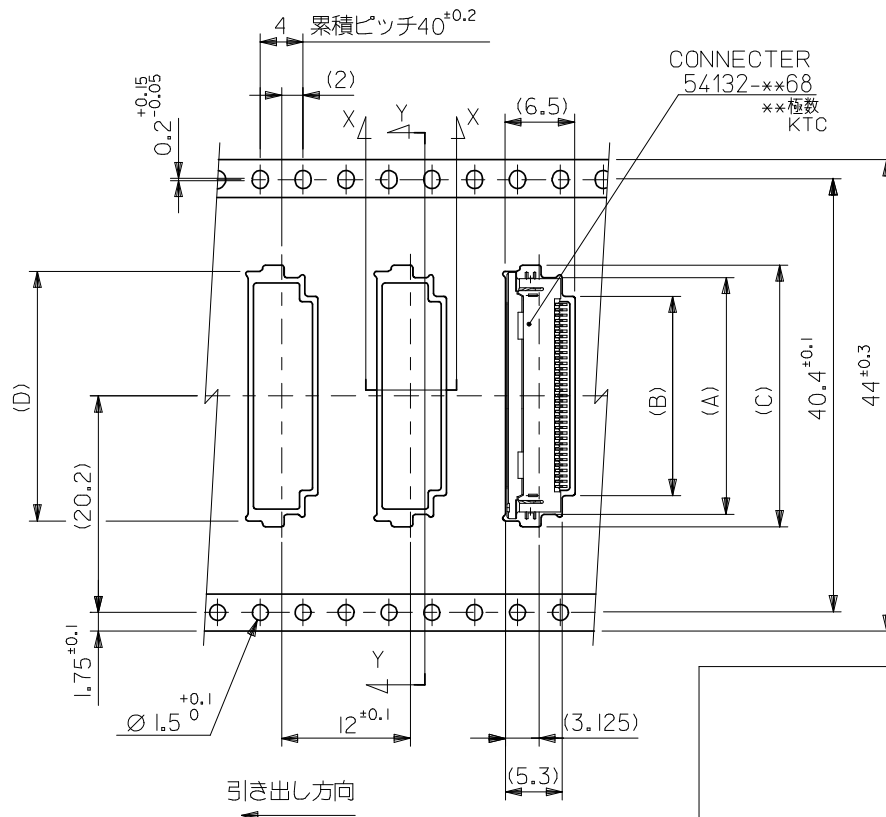
6. 本製品は54132-\*\*61に対するニッケルバリア品である。  
THIS PRODUCT IS Ni-BARRIER OF 54132-\*\*61.



REVISED EC NO: J2008-4308 DRWN: WABEI 2008/06/27 CHKD: THARUYAMA 2008/06/30 APPR: NUKITA 2008/06/30	DESCRIPTION	GENERAL TOLERANCES (UNLESS SPECIFIED)		DIMENSION STYLE MM ONLY		SCALE ---	DESIGN UNITS METRIC	THIRD ANGLE PROJECTION	
		10 UNDER	± ---	DRAWN BY M. UMEDA	DATE 2004/09/27	TITLE 0.5 FPC CONN. HSG ASSY BTM CONTACT GOLD PLATING -LEAD FREE-(NI-BARRIER)			
		10 OVER 30 UNDER	± ---	CHECKED BY K. TOYODA	DATE 2004/09/27				
		30 OVER	± ---	APPROVED BY N. UKITA	DATE 2004/09/27	MOLEX INCORPORATED			
		ANGULAR	± --- °	MATERIAL NO.	DOCUMENT NO.				
		DRAFT WHERE APPLICABLE MUST REMAIN WITHIN DIMENSIONS		SEE SHEET 4		SD-54132-064		3 OF 4	
		THIS DRAWING CONTAINS INFORMATION THAT IS PROPRIETARY TO MOLEX INCORPORATED AND SHOULD NOT BE USED WITHOUT WRITTEN PERMISSION							



SECT:Y-Y



44	49.4	45.4	30.8	31.9	26.1	29.6	54132-5062	50		
			28.3	29.4	23.6	27.1	54132-4562	45		
			27.3	28.4	22.6	26.1	54132-4362	43		
			25.8	26.9	21.1	24.6	54132-4062	40		
			24.8	25.9	20.1	23.6	54132-3862	38		
			23.8	24.9	19.1	22.6	54132-3662	36		
			23.3	24.4	18.6	22.1	54132-3562	35		
			22.8	23.9	18.1	21.6	54132-3462	34		
			22.3	23.4	17.6	21.1	54132-3362	33		
			21.8	22.9	17.1	20.6	54132-3262	32		
20.8	21.9	16.1	19.6	54132-3062	30					
キャリアテープ幅 CARRIER TAPE WIDTH			F	E	D	C	B	A	MATERIAL NO. (EMBOSS PKG)	CKT.

引き出し方向

REVISED EC NO: J2008-4308 DRWN:MNABEI 2008/06/27 CHKD:THARUYAMA 2008/06/30 APPR:NUKITA 2008/06/30	GENERAL TOLERANCES (UNLESS SPECIFIED)		DIMENSION STYLE MM ONLY		SCALE ---	DESIGN UNITS METRIC	THIRD ANGLE PROJECTION	
	10 UNDER	± ---	DRAWN BY M.UMEDA	DATE 2004/09/27	TITLE 0.5 FPC CONN. HSG ASSY BTM CONTACT GOLD PLATING -LEAD FREE-(NI-BARRIER)			
	10 OVER 30 UNDER	± ---	CHECKED BY K.TOYODA	DATE 2004/09/27				
	30 OVER	± ---	APPROVED BY M.UMEDA	DATE 2004/09/27	MOLEX INCORPORATED			
	ANGULAR	± --- °	MATERIAL NO.	DOCUMENT NO.				
DRAFT WHERE APPLICABLE MUST REMAIN WITHIN DIMENSIONS		SEE TABLE		SD-54132-064		SHEET NO. 4 OF 4		



Компания «ЭлектроПласт» предлагает заключение долгосрочных отношений при поставках импортных электронных компонентов на взаимовыгодных условиях!

Наши преимущества:

- Оперативные поставки широкого спектра электронных компонентов отечественного и импортного производства напрямую от производителей и с крупнейших мировых складов;
- Поставка более 17-ти миллионов наименований электронных компонентов;
- Поставка сложных, дефицитных, либо снятых с производства позиций;
- Оперативные сроки поставки под заказ (от 5 рабочих дней);
- Экспресс доставка в любую точку России;
- Техническая поддержка проекта, помощь в подборе аналогов, поставка прототипов;
- Система менеджмента качества сертифицирована по Международному стандарту ISO 9001;
- Лицензия ФСБ на осуществление работ с использованием сведений, составляющих государственную тайну;
- Поставка специализированных компонентов (Xilinx, Altera, Analog Devices, Intersil, Interpoint, Microsemi, Aeroflex, Peregrine, Syfer, Eurofarad, Texas Instrument, Miteq, Cobham, E2V, MA-COM, Hittite, Mini-Circuits, General Dynamics и др.);

Помимо этого, одним из направлений компании «ЭлектроПласт» является направление «Источники питания». Мы предлагаем Вам помощь Конструкторского отдела:

- Подбор оптимального решения, техническое обоснование при выборе компонента;
- Подбор аналогов;
- Консультации по применению компонента;
- Поставка образцов и прототипов;
- Техническая поддержка проекта;
- Защита от снятия компонента с производства.



#### Как с нами связаться

**Телефон:** 8 (812) 309 58 32 (многоканальный)

**Факс:** 8 (812) 320-02-42

**Электронная почта:** [org@eplast1.ru](mailto:org@eplast1.ru)

**Адрес:** 198099, г. Санкт-Петербург, ул. Калинина, дом 2, корпус 4, литера А.