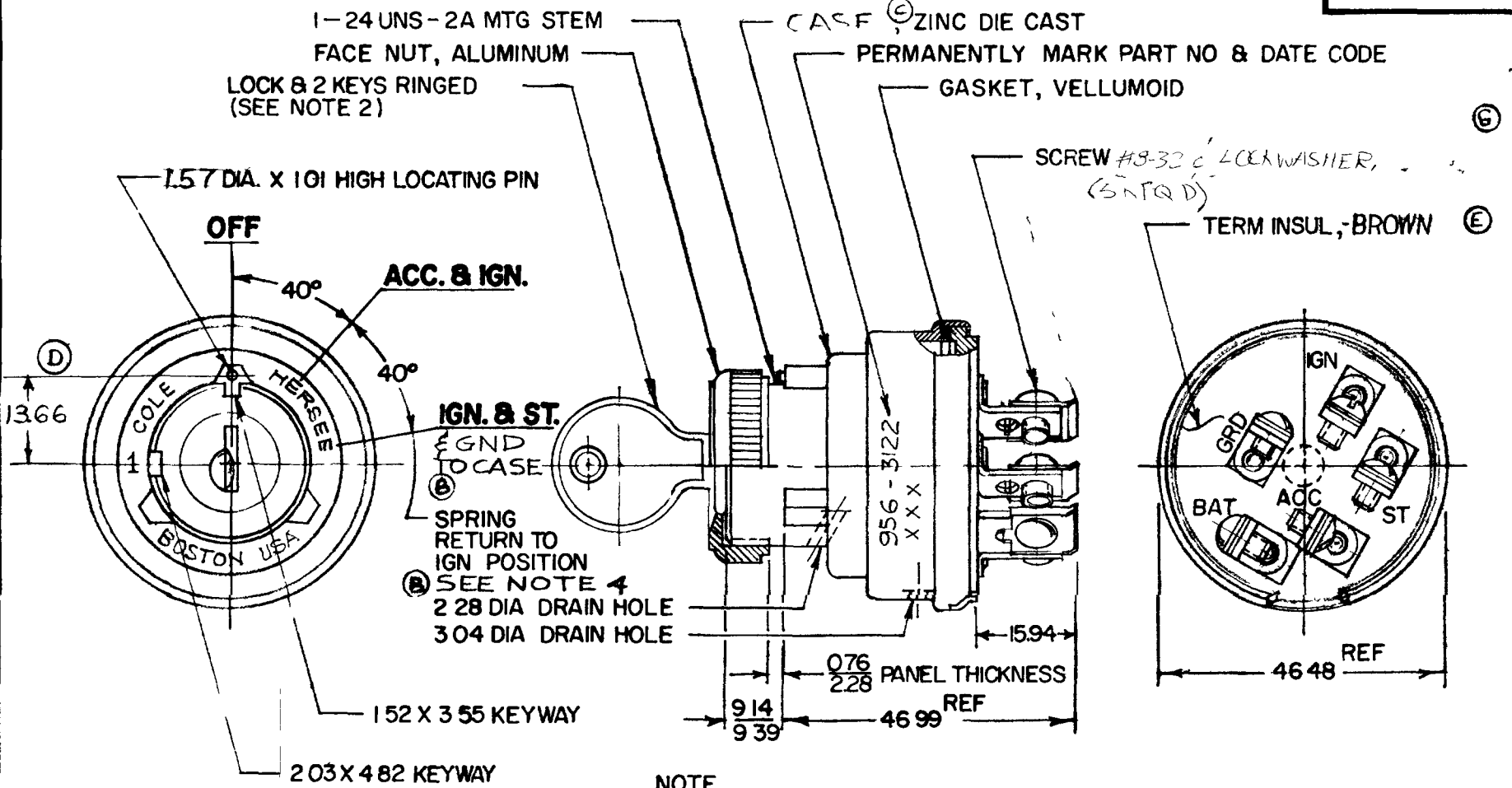


MM	IN
.25	.010
.76	.030
1.01	.040
1.52	.060
1.65	.065
2.03	.080
2.28	.090
3.04	.120
3.55	.140
4.82	.190
9.14	.360
9.39	.370
15.74	.620
16.00	.630
46.48	1.830
46.99	1.850
1.57	.062
13.66	.538

NPM 3-4-76  
EX-16393C

APPLICABLE SAE STANDARD OR RECOMMENDED PRACTICE SAE J259

956-3122



- NOTE
1. TERM INSUL GASKET SEALED
  2. SHUTTER TYPE SEAL ON LOCK FACE
  3. O-RING SEAL AT MTG STEM
  4. START LOCK-OUT FEATURE, SWITCH MUST GO TO "OFF" POSITION BEFORE START CIRCUIT CAN BE RE-ENERGIZED
  5. ALL STEEL PARTS PLATED

**METRIC**

DO NOT SCALE

LET	WAS	DATE	BY	LET	WAS	DATE	BY	MATERIAL	DRAWN	CHECKED	APPRV D	SCALE	DATE DRAWN
				E	ECN 25189	8/13/92	JH	— # —	EA	4-2-79		1:1	1-6-76
				D	1574/22457	6-5-84	AK	FINISH					DATE BLUEPRINT
				C	HOUSING	2-17-88	DB	— # —					
G	2 1/2" REGRIND	2/11/90	JA	B	NOTE ADDED 21267	12-22-80	DB	TOLERANCES					
F	CAD ON ZINC / 25239	12/22/92	JA	A	REDRAWN	3-22-79	FR	DECIMAL ± METRIC ± .25					

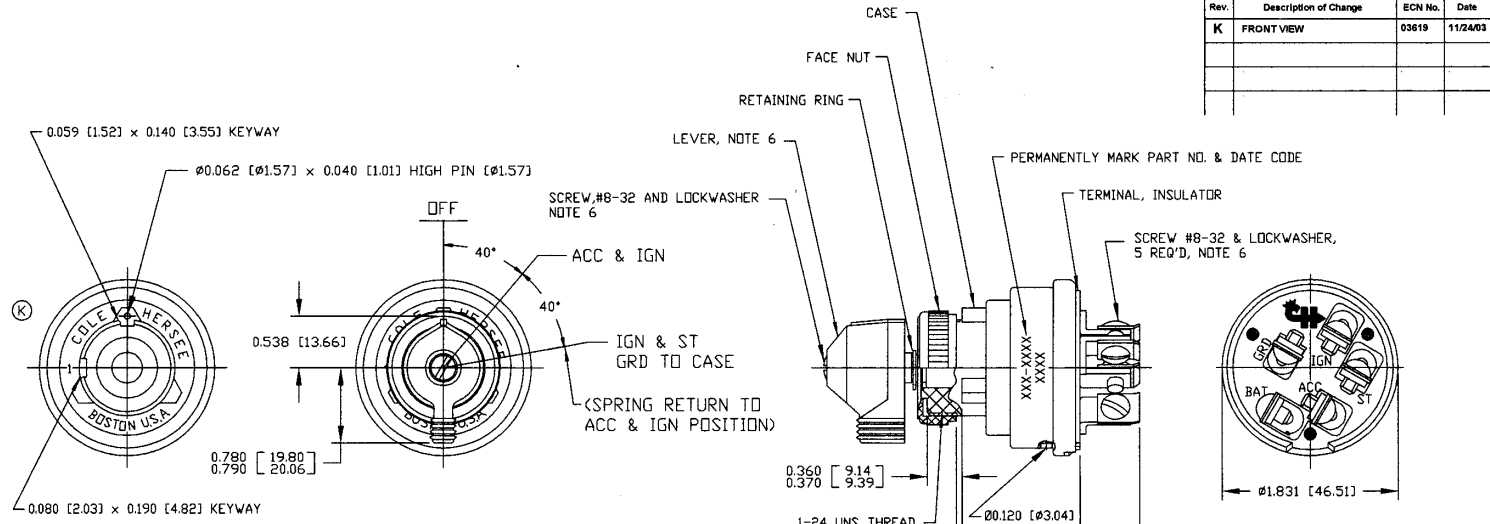
**CH** Cole Hersee Co.  
20 OLD DODD AVE SUIT BOSTON MA US 27

3- POSITION  
**IGNITION & START SWITCH** 956-3122

CH 188(4 78)

Revision Control Record

Rev.	Description of Change	ECN No.	Date
K	FRONT VIEW	03619	11/24/03



FRONT VIEW SHOWN W/D LEVER AND FACE NUT

- NOTES:
1. ALL DIMENSIONS ARE REFERENCE ONLY
  2. ALL STEEL PARTS PLATED
  3. SHAFT O-RING SEALED TO CASE
  4. TERMINAL INSULATOR GASKET SEALED
  5. START LOCK-OUT FEATURE; SWITCH MUST GO TO "OFF" POSITION BEFORE START CIRCUIT CAN BE RE-ENERGIZED
  6. PARTS MAY BE ASSEMBLED OR SUPPLIED IN A PLASTIC BAG
  7. APPLICABLE SAE STANDARD OR RECOMMENDED PRACTICE SAE J259

**Interchange:** Unless otherwise specifically noted, the following are default dimensions:  
 • Duplex Decimal Dimensions = .001"  
 • Duplex Decimal Dimensions = .005"  
 • Angular Dimensions = ±1.0 Deg.  
 • Metric: Refer to equivalent English Dimension Tables  
 \*\*\* NOTE: All tolerances are Non-Conservative. \*\*\*

**Dimensional Limits:** All dimensions are expressed in inches except those shown in brackets (mm) are expressed in millimeters.

**MSP: or as Available, L, = Non-Toleranced Reference Dimension, shown for identification purposes only.**

Used On: **EX26018** Scale: **1:1**

**PROPRIETARY INFORMATION:** This Engineering Drawing, and the information contained herein, is property of Cole Hersee Company and may not be disclosed, reproduced, or in any other way transmitted or communicated to any other party without the express written consent of an authorized representative of Cole Hersee Company.

**DESIGN CONTROL:** It is the responsibility of the individual using/referencing this drawing to ensure that the noted design revision level agrees with the revision level of the Control Drawing (Master Drawing). This is a NON-CONTROLLED DOCUMENT unless otherwise specifically noted.

**DO NOT SCALE:** Dimensional variation may occur during printing/ reproduction.

Drawn By: **KPC** Date: **4/17/06**

**Basic Characteristics:**

- ⊕ Critical Characteristics: relating to Safety and/or Regulatory Compliance
- ⊗ Significant Characteristics relating to Process Control (SPC)
- ⓧ Control Dimension relating to Form - Fit - Function as defined by Cole Hersee Company and/or the Customer.

(Note that the identification of any Characteristics as being "Special" does not alter the requirement that ALL specified dimensions & tolerances must be met.)

Responsible Engineer: **Pg. 1 of 1**

**Cole Hersee Co.**  
 30 Old Colony Ave., South Boston, MA, 02127  
 Phone: 617-268-2100 Web: www.colehersee.com

Description: **SW, IGN & START, 3 POS**

Drawing / Part No.: **956-3124**

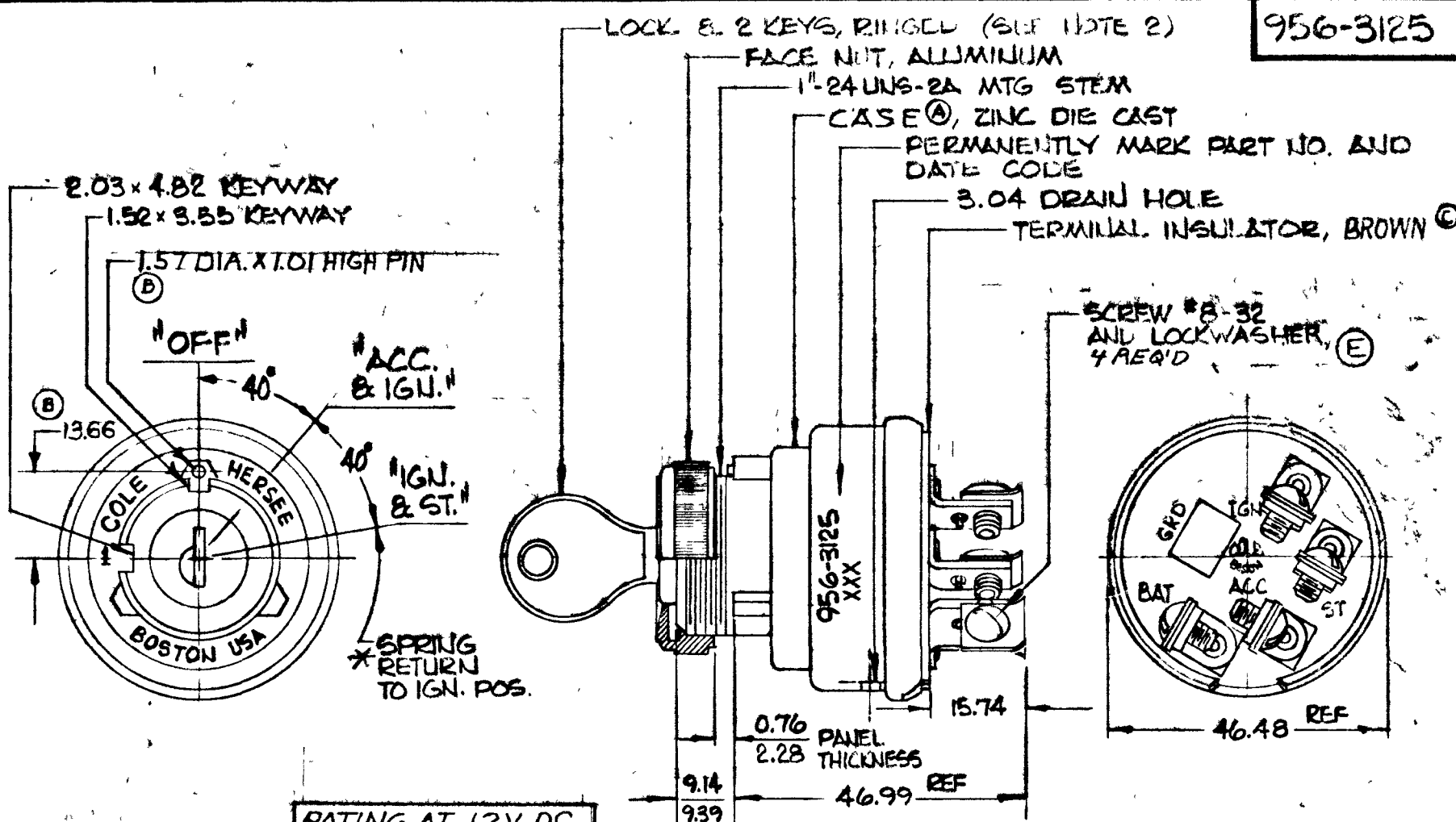
Current Rev.: **K**

ST CIRCUIT	5 AMPS
IGN CIRCUIT	10 AMPS
ACC CIRCUIT	10 AMPS
RATING AT 12 VDC	

MM	IN
0.25	.010
0.76	.030
1.01	.040
1.57	.062
1.52	.059
2.03	.080
2.28	.090
3.55	.140
4.82	.190
9.14	.360
9.39	.370
15.74	.620

46.48	1.850
46.99	1.850
3.04	.120
13.66	.538

COLE-HERSEE CO.  
NPM



RATING AT 12V DC	
ACC	30 AMPS
IGN	10 AMPS
START	10 AMPS

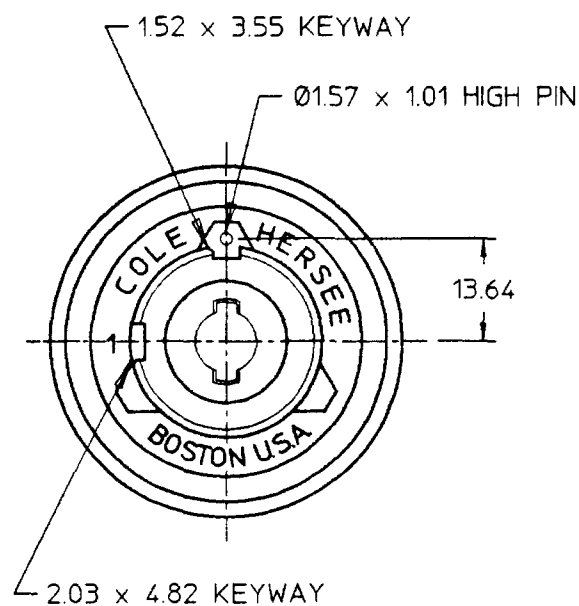
METRIC

- NOTES:  
1. TERMINAL INSULATOR GASKET SEALED.  
2. SHUTTER TYPE SEAL ON LOCK FACE.  
\*3. START LOCK-OUT FEATURE; SWITCH MUST GO TO "OFF" POSITION BEFORE START CIRCUIT CAN BE RE-ENERGIZED.  
4. APPLICABLE SAE STANDARD OR RECOMMENDED PRACTICE SAE J259.  
⑤ ALL STEEL PARTS PLATED

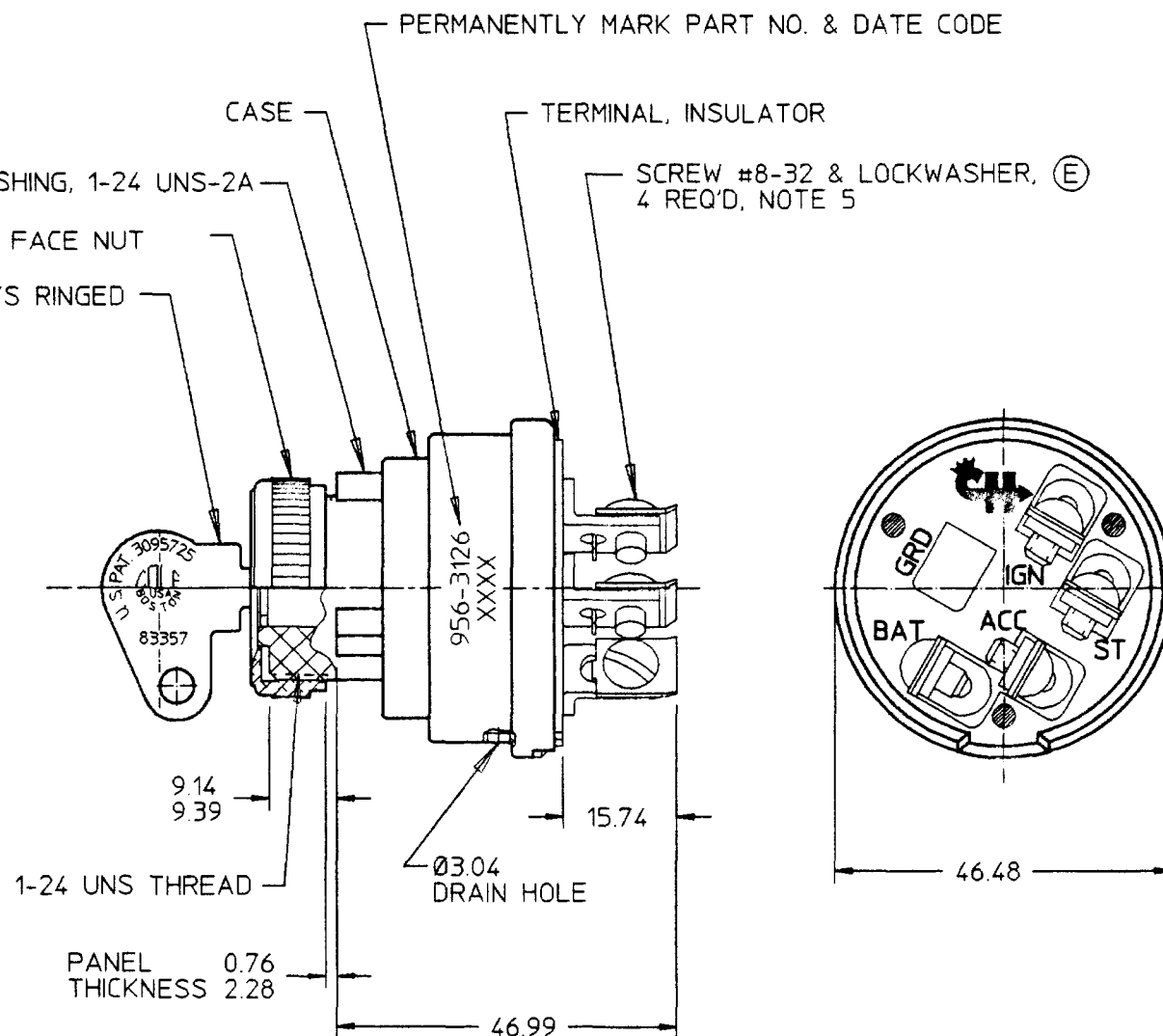
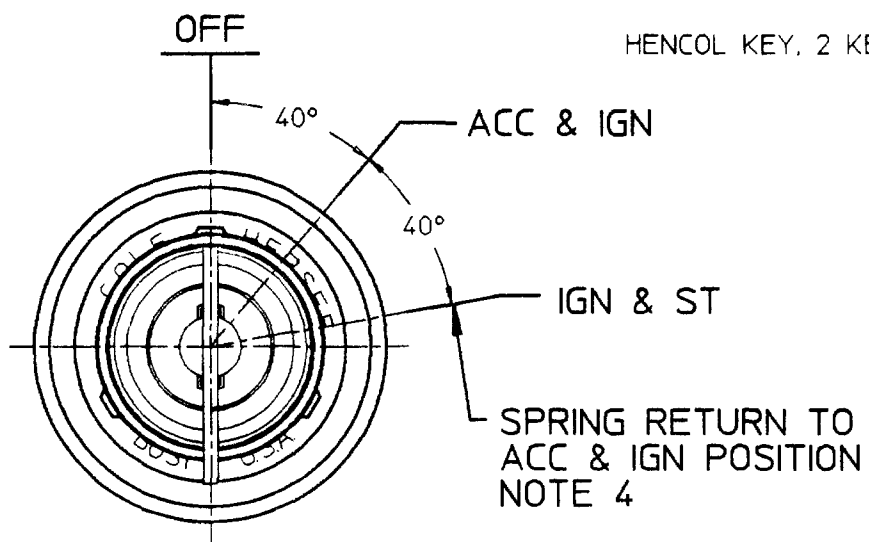
DO NOT SCALE

LET	WAS	DATE	BY	LET	WAS	DATE	BY	MATERIAL	DRAWN	CHECKED	APPRV D	SCALE	956-3122 LESS O-RINGS & GND CIRCUIT	DATE DRAWN
				D	NO ADDED 25039	12/20/90	LSH	—	KPC	RF		1:1		10-26-76
				C	ECN 25189	8/13/76	LSH	FINISH	COLE-HERSEE COMPANY					DATE BLUEPRINT
				B	15.02/22457	6-5-84	LSH	—	BOSTON, MASS. 02127, U.S.A.					
				A	HOUSING	813-82	OK	TOLERANCES	3-POSITION					956-3125
E	ECN 40137	3/1/00	MA		15 JUL	11/2/16	TY	FRACTIONAL ±	IGN. & START SWITCH					
								DECIMAL ±.25						

MM	IN
0.76	0.030
1.01	0.040
1.52	0.059
1.57	0.061
2.03	0.080
2.28	0.090
3.04	0.120
3.55	0.140
4.82	0.190
9.14	0.360
9.39	0.370
13.66	0.538
19.81	0.780
20.06	0.790
46.48	1.830
46.99	1.850



FRONT VIEW SHOWN W/O KEY AND FACE NUT



- NOTES:
1. ALL DIMENSIONS ARE REFERENCE ONLY
  2. ALL STEEL PARTS PLATED
  3. TERMINAL INSULATOR GASKET SEALED
  4. START LOCK-OUT FEATURE, SWITCH MUST GO TO "OFF" POSITION BEFORE START CIRCUIT CAN BE RE-ENERGIZED
  5. PARTS MAY BE ASSEMBLED OR SUPPLIED IN A PLASTIC BAG
  6. APPLICABLE SAE STANDARD OR RECOMMENDED PRACTICE SAE J259

(E)

DO NOT SCALE

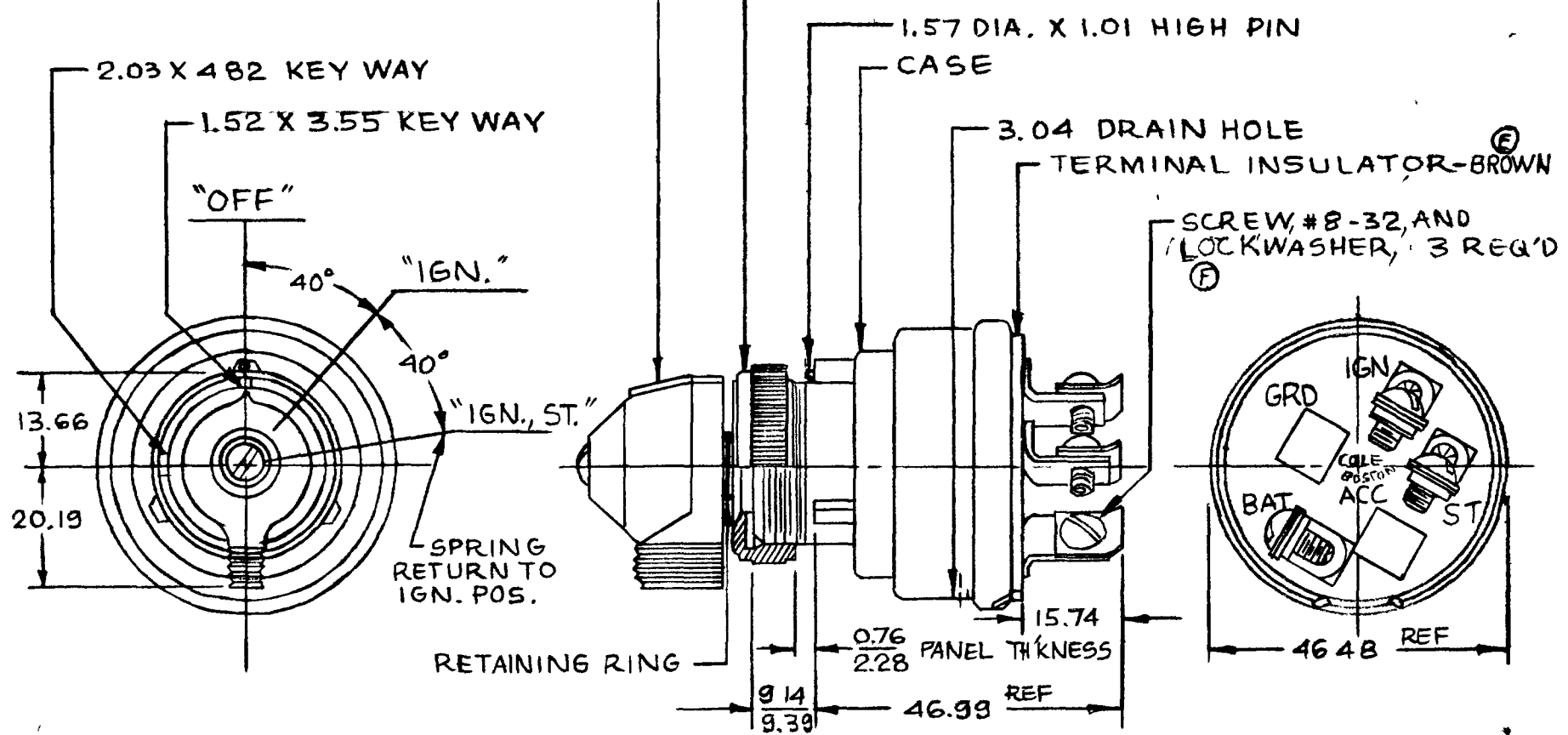
LET.	WAS	DATE	BY	LET.	WAS	DATE	BY	MATERIAL	DRAWN	CHK	APVD	SCALE	DATE DRAWN
									KG	Jmp		1:1	10/27/97
								FINISH	<b>Cole Hersee Co.</b> 20 OLD COLONY AVENUE, BOSTON, MA., U.S.A., 02127				DATE BLUEPRINTED
				F	ECN #98258	04/29/98	COL	TOLERANCES	SW, IGN & START, 3 POS				956-3126
				E	PUT ON CAD ECN #26936	9/12/97	AJS	DECIMAL ± ANGLE ±					

METRIC

MM	IN
0.25	.010
0.76	.030
1.01	.040
1.57	.060
2.03	.080
2.28	.090
2.55	.100
4.82	.190
9.14	.360
9.39	.370
15.74	.620
20.19	.795
46.48	1.830
46.99	1.850
15.74	.620
13.66	.538
3.04	.120

956-3127

APPLICABLE SAE STANDARD OR  
RECOMMENDED PRACTICE SAE J259



RATING AT 24 VDC  
IGN CIRCUIT 10 AMPS  
ST. CIRCUIT 5 AMPS

NOTES:  
1. SHAFT O RING SEALED TO HOUSING  
2. TERMINAL INSULATOR GASKET SEALED  
3. START LOCK-OUT FEATURE; SWITCH MUST GO TO "OFF" POSITION BEFORE START CIRCUIT CAN BE RE-ENERGIZED.

METRIC

DO NOT SCALE

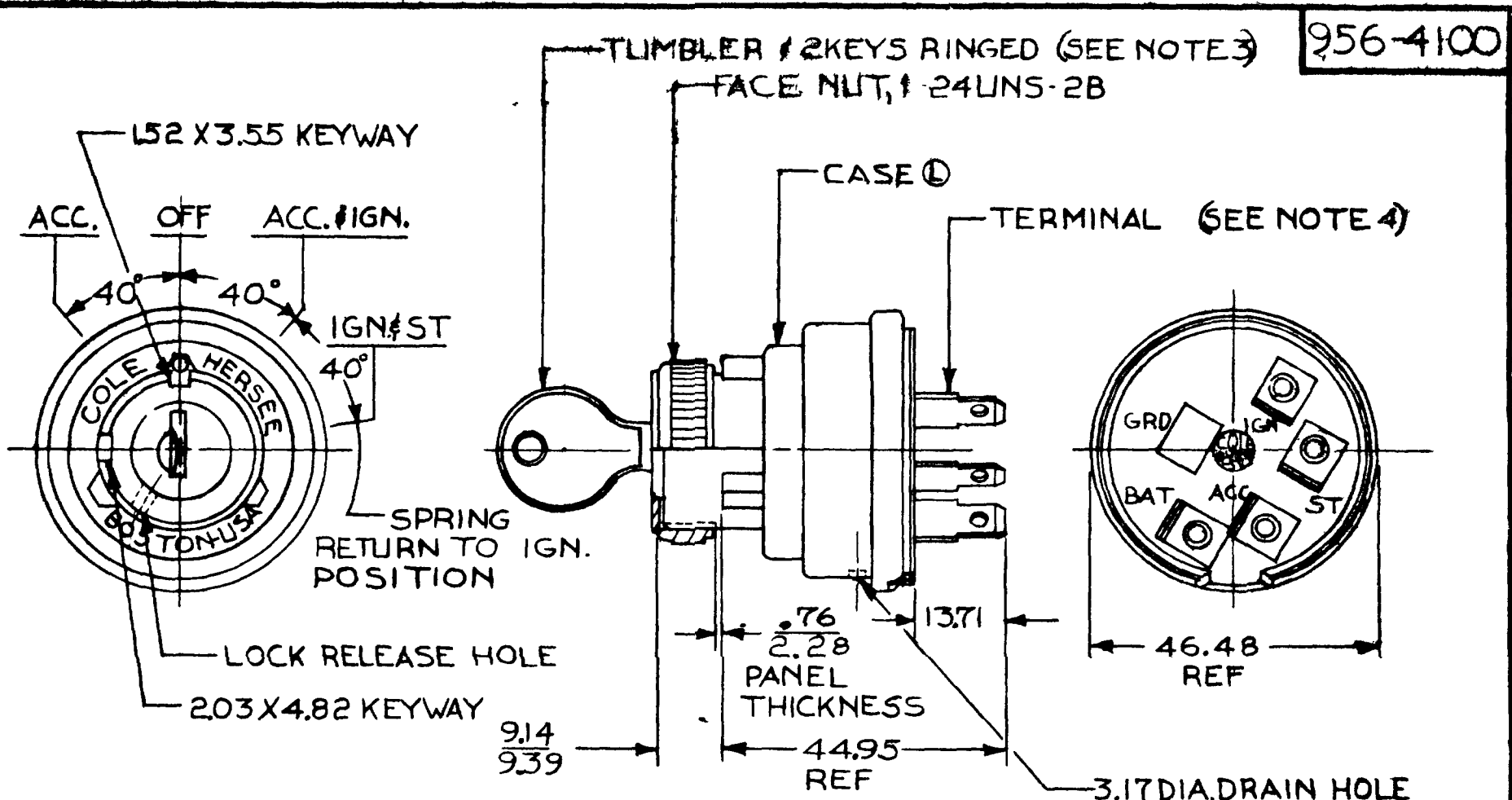
LET	WAS	DATE	BY	LET	WAS	DATE	BY	MATERIAL	DRAWN	CHECKED	APPRV'D	SCALE	DATE DRAWN
								#	EA			1:1	1-10-77
								FINISH					DATE BLUEPRINT
				F	ECN 00140	3/1/00	MA						
				E	ECN 25189	8/1/92	TJH	TOLERANCES					
				D	REDRAWN	10/29/90	BL	DECIMAL ±					
								METRIC ±.25					
3 POSITION IGN. & START SWITCH												956-3127	

CH-188(4-78)

MM IN  
 .25 .010  
 .76 .030  
 1.52 .060  
 2.03 .080  
 2.28 .090  
 3.55 .140  
 4.82 .190  
 9.14 .360  
 9.39 .370  
 13.71 .540  
 44.95 1.770  
 46.48 1.830

TSE-1034

EX 14258




956-4100

METRIC

RATINGS AT 12VDC	
ACC. CIRCUIT	10 AMPS
IGN. "	10 "
ST. "	5 "

- NOTES:
1. APPLICABLE SAE STANDARD OR RECOMMENDED PRACTICE SAE J259
  2. LOCK REMOVABLE IN IGN. POSITION
  3. SHUTTER TYPE SEAL ON LOCK FACE
  4. TERMINALS ARRANGED TO FIT PACKARD CONNECTOR #2962912 OR EQUIV.

DO NOT SCALE

LET	WAS	DATE	BY	LET	WAS	DATE	BY	MATERIAL	DRAWN	CHECKED	APPR'D	SCALE	DATE DRAWN
								#	M.F.	4-28-80		1:1	2-24-66
								FINISH					DATE BLUEPRINT
								TOLERANCES	 30 OLD BOSTON AVENUE SOUTH BOSTON MA U.S.A. 02127				
								DECIMAL ±					IGN & START SWITCH
								METRIC ± .05	(4 POSITION)	956-4100			

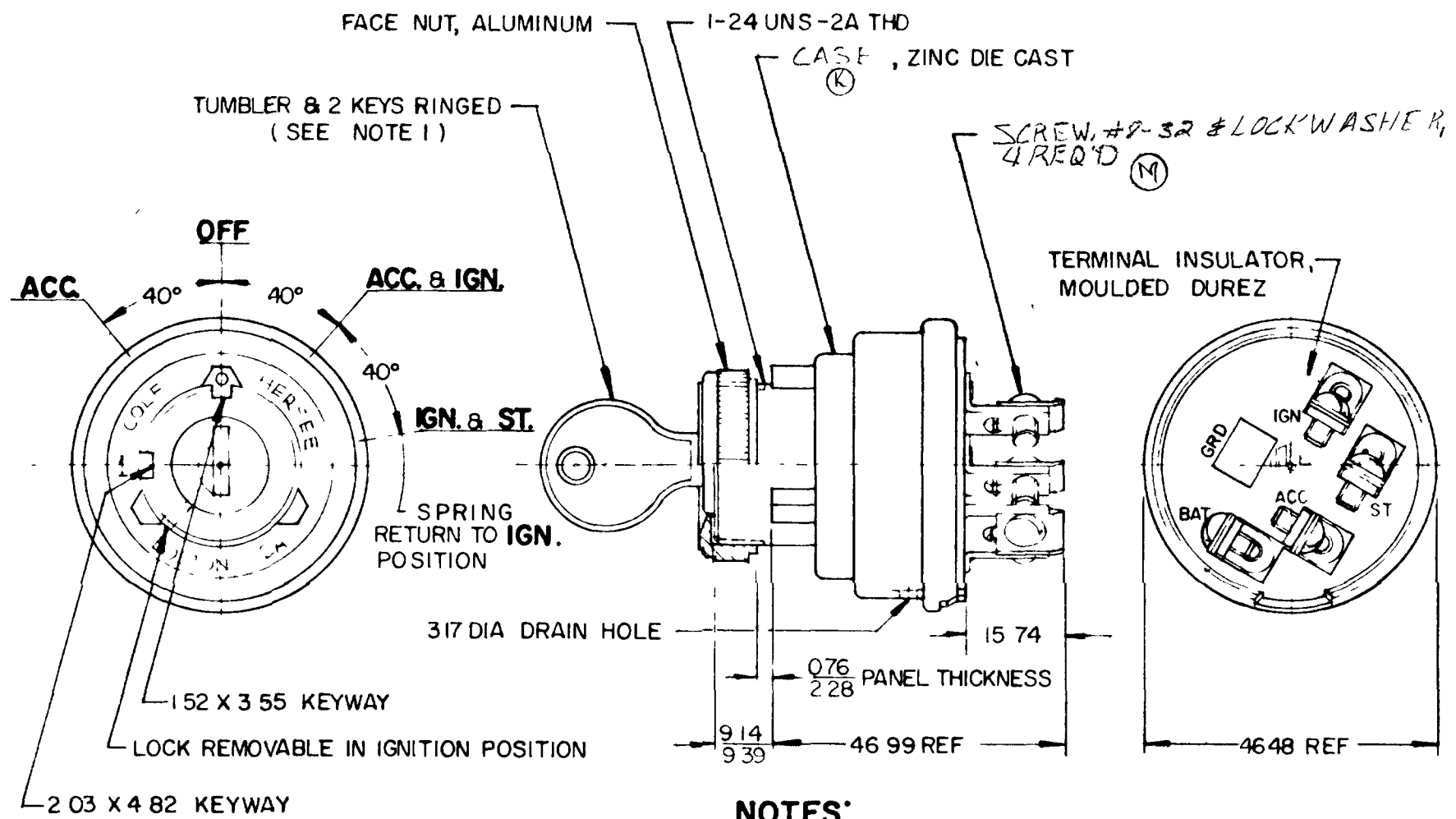
CH-1894-78

MM IN  
 0.76 0.10  
 1.52 0.20  
 2.28 0.30  
 3.17 0.40  
 4.02 0.50  
 4.91 0.60  
 5.77 0.70  
 6.61 0.80  
 7.44 0.90  
 8.25 1.00  
 9.04 1.10  
 9.81 1.20  
 10.57 1.30  
 11.31 1.40  
 12.04 1.50  
 12.76 1.60  
 13.46 1.70  
 14.14 1.80  
 14.81 1.90  
 15.47 2.00  
 16.12 2.10  
 16.76 2.20  
 17.38 2.30  
 18.00 2.40  
 18.60 2.50  
 19.19 2.60  
 19.77 2.70  
 20.34 2.80  
 20.90 2.90  
 21.45 3.00  
 22.00 3.10  
 22.53 3.20  
 23.05 3.30  
 23.56 3.40  
 24.06 3.50  
 24.55 3.60  
 25.03 3.70  
 25.50 3.80  
 25.96 3.90  
 26.41 4.00  
 26.85 4.10  
 27.28 4.20  
 27.70 4.30  
 28.11 4.40  
 28.51 4.50  
 28.90 4.60  
 29.28 4.70  
 29.65 4.80  
 30.00 4.90  
 30.35 5.00  
 30.69 5.10  
 31.02 5.20  
 31.34 5.30  
 31.65 5.40  
 31.95 5.50  
 32.24 5.60  
 32.52 5.70  
 32.79 5.80  
 33.05 5.90  
 33.30 6.00  
 33.54 6.10  
 33.77 6.20  
 34.00 6.30  
 34.22 6.40  
 34.43 6.50  
 34.63 6.60  
 34.82 6.70  
 35.00 6.80  
 35.17 6.90  
 35.33 7.00  
 35.48 7.10  
 35.62 7.20  
 35.75 7.30  
 35.87 7.40  
 35.98 7.50  
 36.09 7.60  
 36.18 7.70  
 36.26 7.80  
 36.33 7.90  
 36.39 8.00  
 36.44 8.10  
 36.48 8.20  
 36.51 8.30  
 36.53 8.40  
 36.55 8.50  
 36.56 8.60  
 36.56 8.70  
 36.55 8.80  
 36.53 8.90  
 36.50 9.00  
 36.46 9.10  
 36.40 9.20  
 36.33 9.30  
 36.24 9.40  
 36.13 9.50  
 36.00 9.60  
 35.86 9.70  
 35.70 9.80  
 35.52 9.90  
 35.32 10.00

EX-14258

APPLICABLE SAE STANDARD OR RECOMMENDED PRACTICE SAE J259

956-4104



- NOTES:**
- 1 SHUTTER TYPE SEAL ON LOCK FACE
  - 2 ALL STEEL PARTS PLATED

RATINGS AT 12 VDC	
ACC CIRCUIT	10 AMPS
IGN CIRCUIT	10 AMPS
ST CIRCUIT	5 AMPS

**METRIC**

DO NOT SCALE  
 DATE DRAWN  
 3-15-66  
 DATE BLUEPRINT

LET	WAS	DATE	BY	LET	WAS	DATE	BY	ATERIAL	DRAWN	HEIGHTER D	SCALE	DATE DRAWN
								-/-	MF	1-26-79	1:1	3-15-66
			M	ECN 00137		3/1/00	MA	-/-				DATE BLUEPRINT
			L	LABOR ZINC 1/25254		12/22/90	JH					
			K	HOUSING		8/15/87	PS	TOLERANCES	4-POSITION IGNITION & START SWITCH			956-4104
			J	REDRAWN		1/18/79	JL	FRACTIONAL ± DECIMAL ± .25				

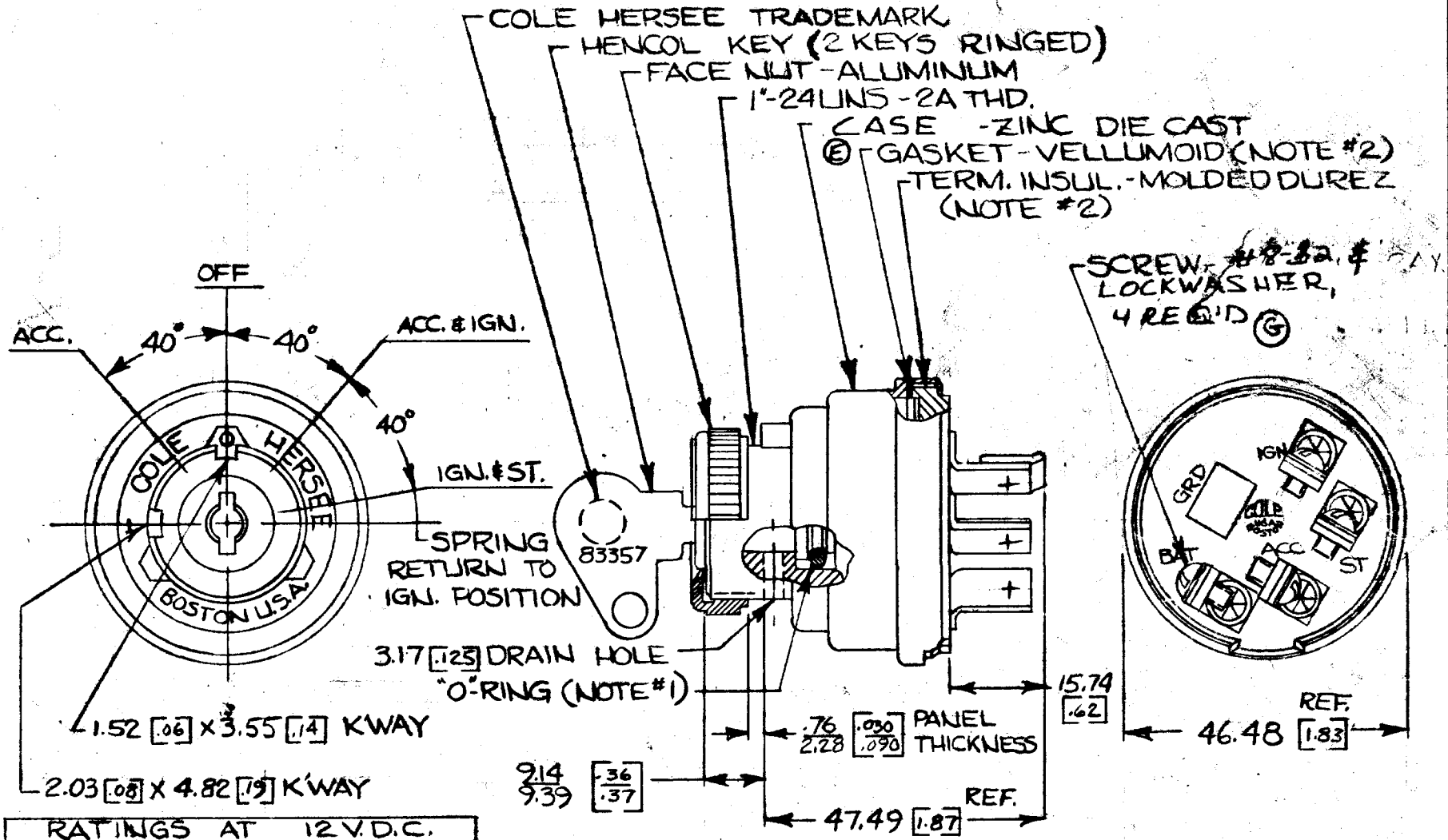
CH 188 (4 78)

APPLICABLE SAE STANDARD OR RECOMMENDED PRACTICE SAE J259

956-4107

EX-14258

COLE-HERSEE CO.



RATINGS AT 12 V.D.C.	
ACC. CIRCUIT	10 AMPS
IGN.	10
ST.	5

DIMENSIONS: MILLIMETERS [INCHES]

NOTE:  
 1) SHAFT O-RING SEALED TO HOUSING  
 2) TERMINAL INSULATOR (GASKET SEALED)  
 3) ALL STEEL PARTS PLATED DO NOT SCALE

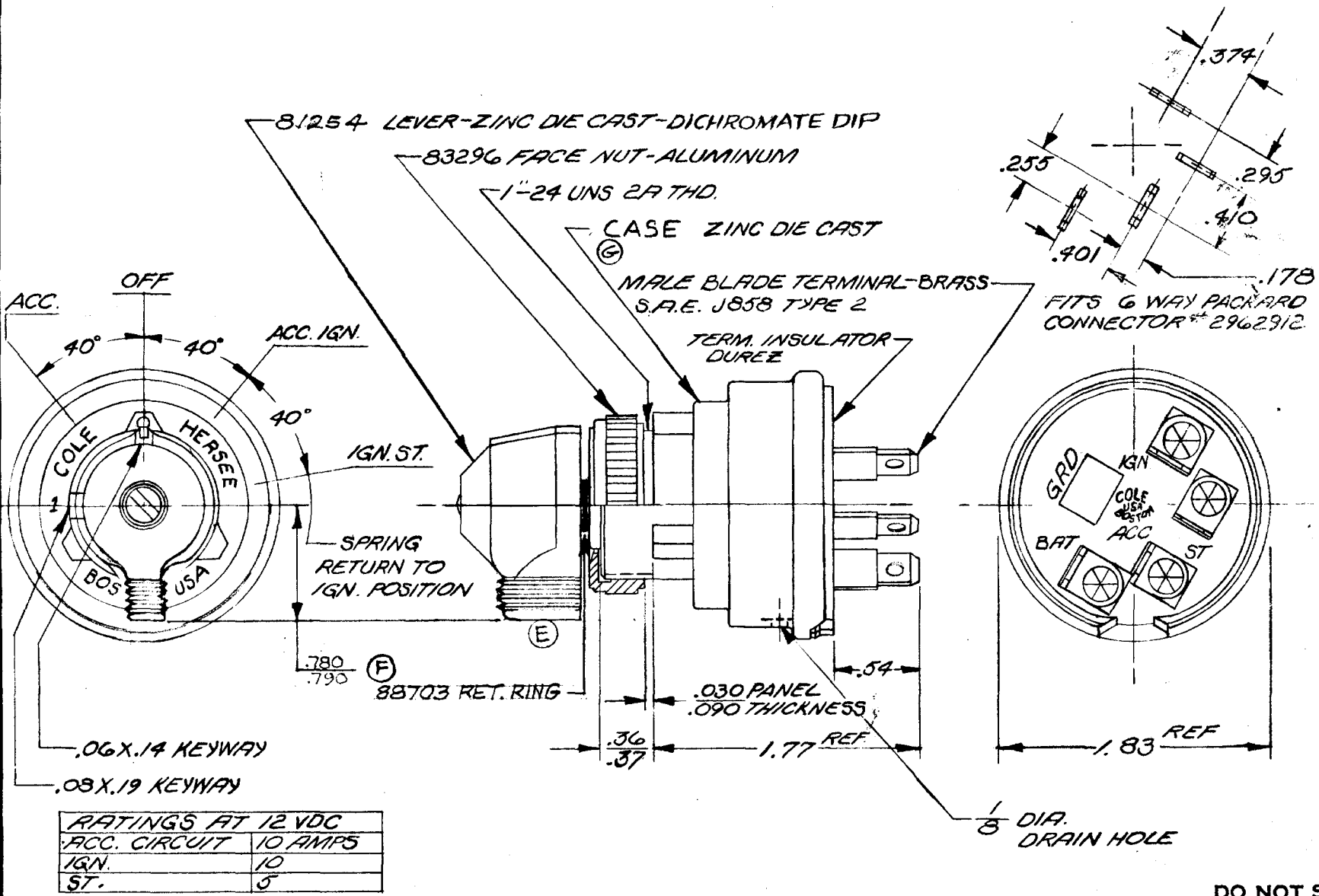
LET	WAS	DATE	BY	LET	WAS	DATE	BY	MATERIAL	DRAWN	CHECKED	APPR'D.	SCALE	DATE DRAWN			
								— #	CF	UM		1:1	9-20-66			
				G	ECN 0137	3/1/60	AM	FINISH	<b>COLE-HERSEE COMPANY</b> BOSTON, MASS. 02127, U.S.A. 4 POSITION IGN. & START SWITCH				DATE BLUEPRINT			
				F	ADD 125034	12/18/92	JH	— #								
				E	HOUSING	8-13-82	PH	TOLERANCES								
				D	REDRAWN	2-11-76	WJ	FRACTIONAL ±					956-4107			
								DECIMAL ±.010								



COLE-HERSEE CO. TSE-#1034

APPLICABLE SAE STANDARD OR RECOMMENDED PRACTICE SAE J259

956-4111



RATINGS AT 12 VDC	
ACC. CIRCUIT	10 AMPS
IGN.	10
ST.	5

DO NOT SCALE

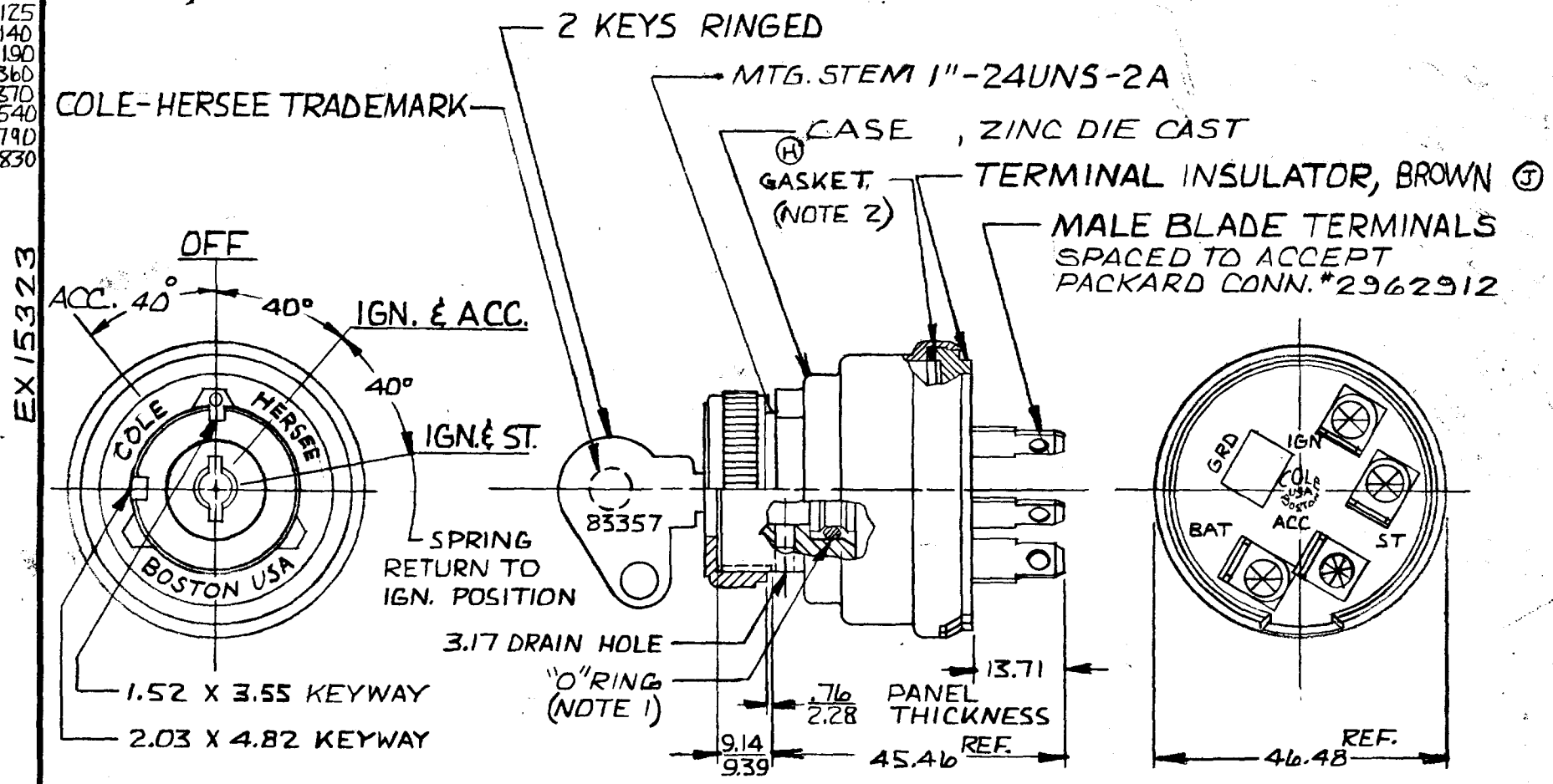
LET	WAS	DATE	BY	LET	WAS	DATE	BY	MATERIAL	DRAWN	CHECKED	APPR'D.	SCALE	DATE DRAWN
				G	HOUSING	8-13-66	CR	///	N.B	UNCL		FULL	1-18-68
				F	ADDED RING/20329	10-13-78	RR	FINISH	<b>COLE-HERSEE COMPANY</b> BOSTON, MASS. 02127, U.S.A.				DATE BLUEPRINT
				E	LEVER/10343	4-8-77	RE	///					
				D	SAE SPEC ADDED	3-5-74	W	TOLERANCES	4 POSITION IGN. & START SWITCH				956-4111
				C	NO CHANGE	3-21-75	JS	FRACTIONAL ± DECIMAL ±.010					

SPAULDING CO., INC. 47570

MM.	IN.
.25	.010
.76	.030
1.52	.060
2.03	.080
2.28	.090
3.17	.125
3.55	.140
4.82	.190
9.14	.360
9.39	.370
13.71	.540
45.46	1.790
46.48	1.830

956-4113

APPLICABLE SAE STANDARD OR  
RECOMMENDED PRACTICE SAE J 259



RATING AT 12 VDC	
IGN	10 AMPS
START	5 AMPS
ACC	30 AMPS

METRIC

- NOTE:
1. SHAFT "O" RING SEALED TO HOUSING
  2. TERMINAL INSULATOR GASKET SEALED

DO NOT SCALE

LET.	WAS	DATE	BY	LET.	WAS	DATE	BY	MATERIAL	DRAWN	CHECKED	APPR'VD.	SCALE	DATE DRAWN
								H	CF	LP6		1:1	3-6-69
								FINISH					DATE BLUEPRINT
				J	ECN 25189	8-13-92	JH						
				H	HOLISING	8-13-88	PS	TOLERANCES					
				G	REDRAWN NO CHANGE	2-26-81	EA	DECIMAL ± METRIC ±.25					
<p><b>Cole Hersee Co.</b> 20 OLD COLONY AVENUE, SOUTH BOSTON, MA. U.S.A. 02117</p>													
<p><b>4 POSITION IGN. &amp; START SWITCH</b></p>												956-4113	

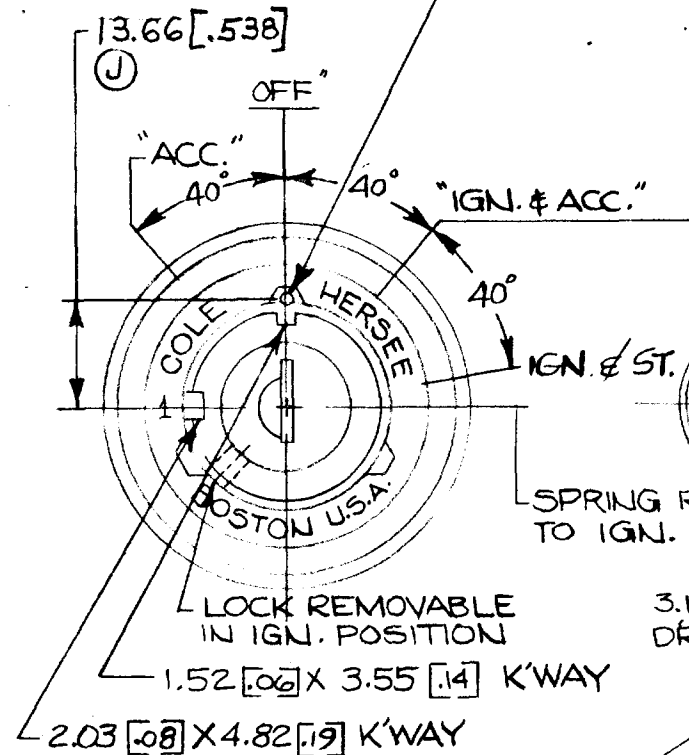
CH-188(4-78)

COLE-HERSEE CO. NPM 9-27-71  
EX 16009 E

APPLICABLE SAE STANDARD OR RECOMMENDED PRACTICE SAE J259

956-4116

1.57 [.062] DIA. x 1.01 [.040] HIGH PIN.  
①



TUMBLER #2 KEYS-RINGED  
FACE NUT-ALUMINUM  
1-24 UNF-2A THD.  
CASE - ZINC DIE CAST  
TERM. INSULATOR - BROWN ②  
MALE BLADE TERMS-BRS. SAE J858 TYPE 2 SPACED TO ACCEPT PACKARD ELEC. CONN. NO. 962912

SPRING RETURN TO IGN. POSITION

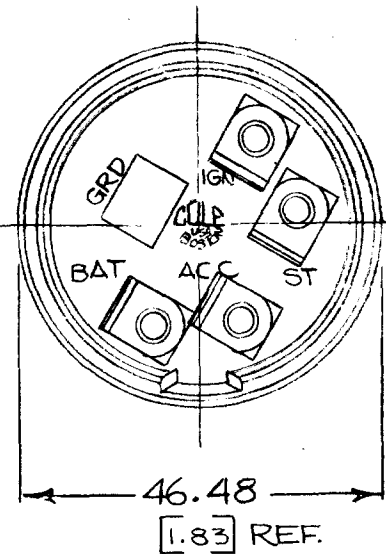
3.17 [.125] DR. HOLE

13.71 [.54] PANEL THICK.

9.14 [.36] / 9.39 [.37]

.76 [.030] / 2.28 [.090]

44.95 [1.77] REF.



PERMANENTLY MARK SWITCH NO. & DATE CODE ON SIDE OF CASE

- 1) DIMENSIONS : MILLIMETERS [INCHES]
- 2) SILVER LAMINATED CONTACT SURFACES
- 3) SHUTTER TYPE SEAL ON LOCK FACE
- 4) SHOULDER TYPE RIVET CONSTRUCTION
- 5) TERM. INSUL. GASKET SEALED

DO NOT SCALE

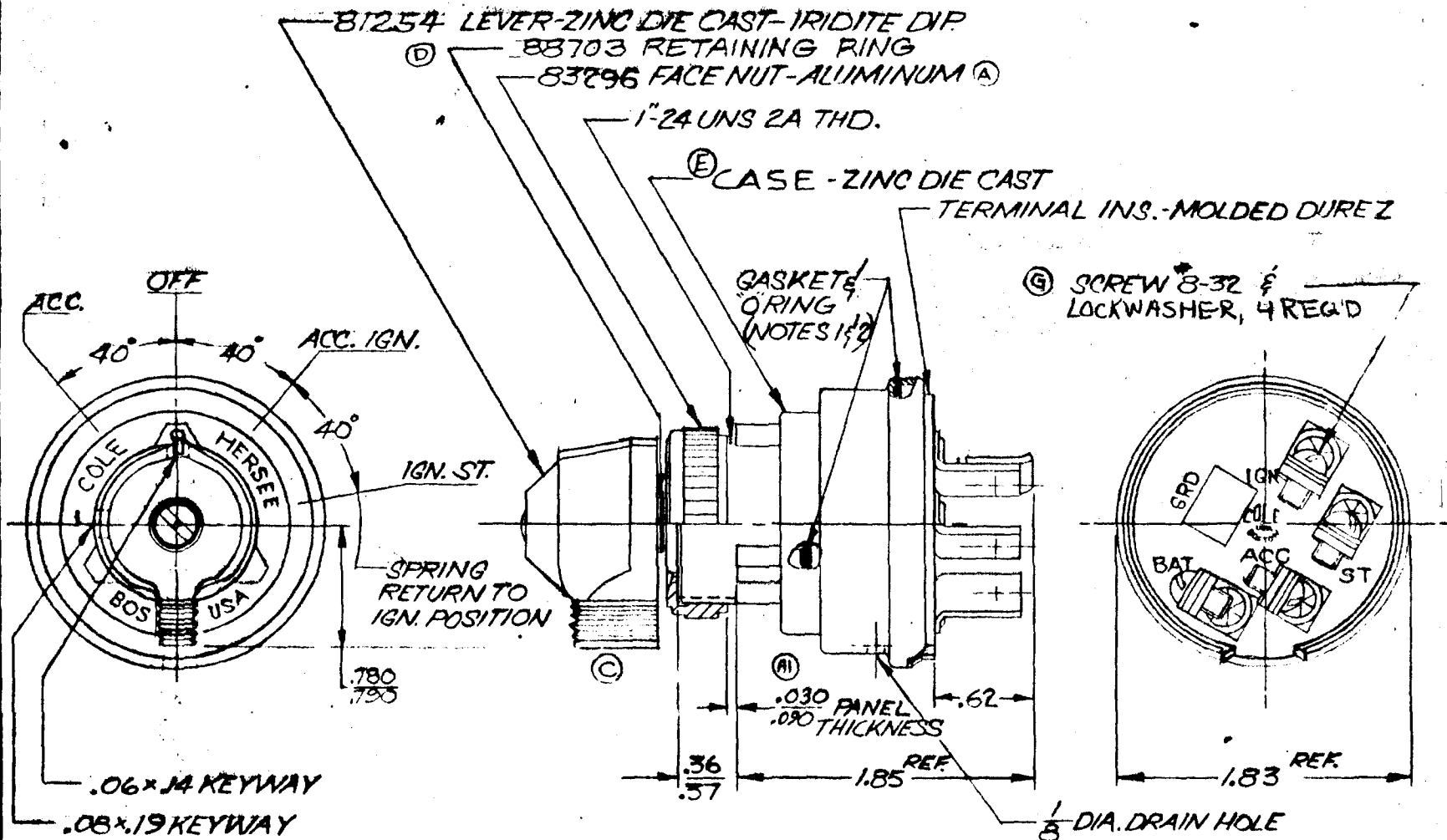
LET	WAS	DATE	BY	LET	WAS	DATE	BY	MATERIAL	DRAWN	CHECKED	APPR'D.	SCALE	4100 W/SILVER CONTACTS & FIBERITE TERM. INSUL.	DATE DRAWN				
								NOTED	RW	B		1:1		9-16-71				
				K	ECN 25189	9/13/72	TSH	FINISH	<b>COLE-HERSEE COMPANY</b> BOSTON, MASS. 02127, U.S.A.					DATE BLUEPRINT				
				J	REVISEL/2245	6/10/84	YAK	11						4 POSITION IGNITION & START SWITCH				
				H	HOUSING	8-13-88	PPS	TOLERANCES										
				G	REDRAWN	7-21-75	JWH	FRACTIONAL ±						956-4116				
								DECIMAL ±.010										

APPLICABLE SAE STANDARD OR RECOMMENDED PRACTICE SAEJ259

956-4124

NPM. 4-10-72

EX NONE



RATINGS AT 12V D.C.	
ACC. CIRCUIT	10 AMPS
IGN.	10
ST.	5

- NOTES:
1. SHAFT O-RING SEALED TO HOUSING.
  2. TERMINAL INSULATOR GASKET SEALED.
  3. ALL STEEL PARTS PLATED

DO NOT SCALE

LET	WAS	DATE	BY	LET	WAS	DATE	BY	MATERIAL	DRAWN	CHECKED	APPR'D	SCALE	Blk. 956 4111	DATE DRAWN	
				C	81254 LEVER	19843	4-6-72	RMT						1-12-72	
G	ECN #00138	3/1/00	KE	B	SAE SPEC ADDED	3-5-74	3 W	FINISH	<b>COLE-HERSEE COMPANY</b> BOSTON, MASS. 02127, U.S.A.					DATE BLUEPRINT	
F	NOT ADDED 125234	12/22/92	JH	A1	.060 .110	17877	10-19-72	LY							
E	HOUSING	8-6-86	P	A	83344	17877	10-4-72	B	TOLERANCES FRACTIONAL ±	4 POSITION IGN. & START SWITCH					956-4124
D	RING/20329	10-18-78	R		ISSUE				DECIMAL ±010						

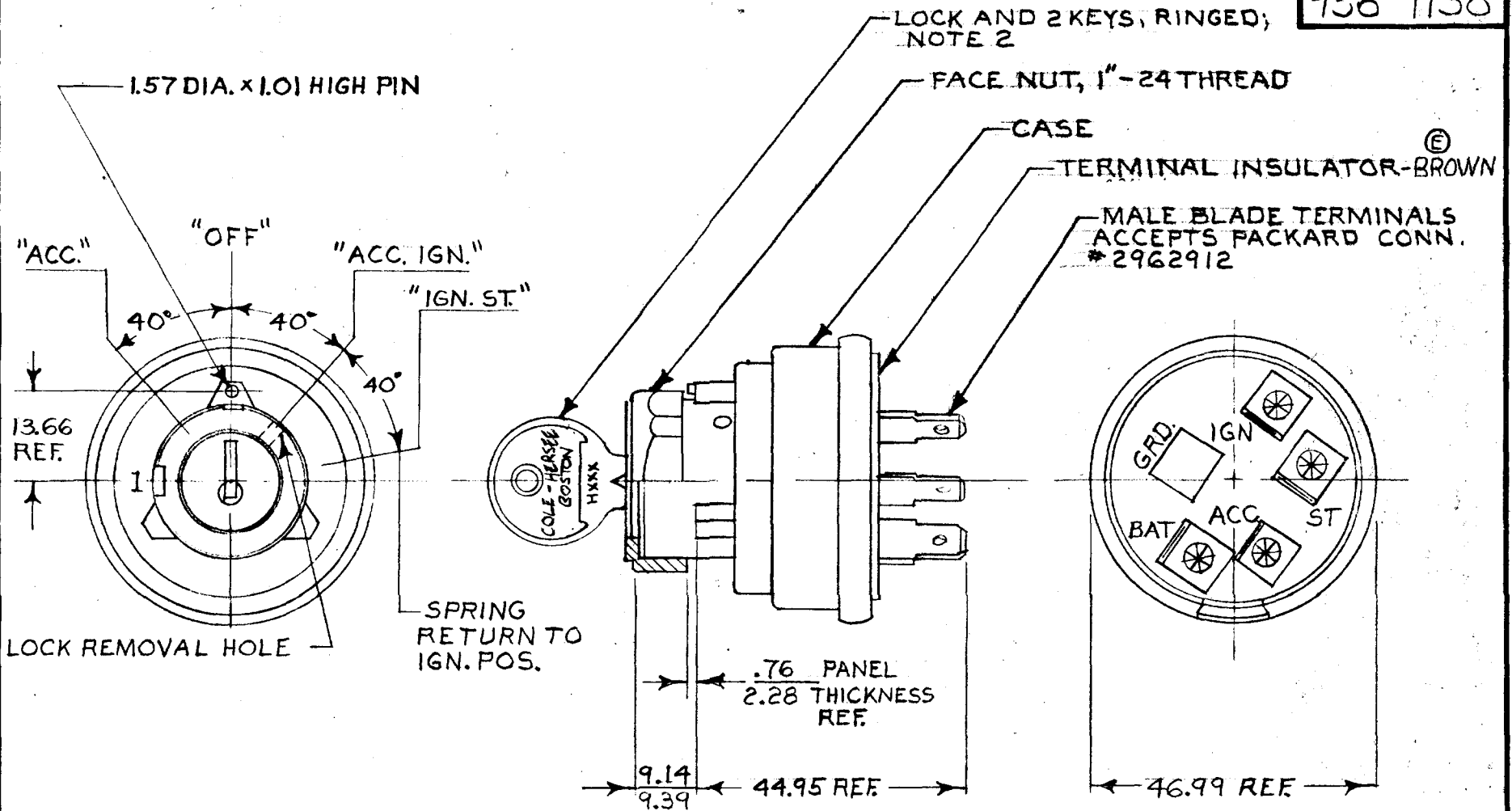
SPAULDING CO., INC.

COLE-HERSEE CO.

MM IN  
 .76 .03  
 2.28 .09  
 9.14 .36  
 9.39 .37  
 13.66 .538  
 25.65 1.01  
 39.88 1.57  
 44.95 1.77  
 46.99 1.85

956-4138


NPM 8-30-77



- NOTES:
1. SWITCH DESIGNED TO PERMIT REMOVAL OF TUMBLER LOCK IN ACC. POSITION
  2. SWITCH SUPPLIED WITH STRATTEC<sup>®</sup> TUMBLER LOCK NO. 85144.
  3. ALL STEEL PARTS PLATED

METRIC

DO NOT SCALE

LET.	WAS	DATE	BY	LET.	WAS	DATE	BY	MATERIAL	DRAWN	CHECKED	APPR'D.	SCALE	DATE DRAWN
								✓	KG	<i>[Signature]</i>		1:1	2-5-76
				G	ECN# 27087	10/21/97	AJS	FINISH					DATE BLUEPRINT
				F	ECN # 26335	10/17/96	Jmp	✓					
				E	ECN 25189	8-14-92	TJH	TOLERANCES	 SWITCH IGNITION & START 4 POS.				956-4138
				L	REDRAWN	8-15-89	VK	DECIMAL ±					
								METRIC ±					

CH-188(4-78)

RATING AT 12 V.D.C.

ACC CIRCUIT	20 AMPS
IGN. CIRCUIT	20 AMPS
ST. CIRCUIT	20 AMPS

TERMINAL INSULATOR, BROWN

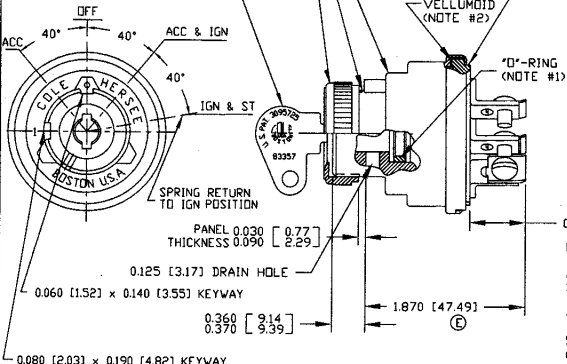
HENCOL KEY (2 KEYS RINGED)

FACE NUT, ALUMINUM

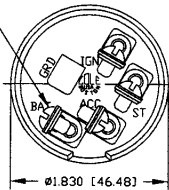
1-24-UNS-2A THD  
CASE, ZINC DIE CAST  
GASKET,  
VELLUMOID  
(NOTE #2)

"O"-RING  
(NOTE #1)

SCREW #8-32 &  
LOCKWASHER, 4 REQ'D



0.620 [15.74]



- NOTES:
1. SHAFT O RING SEALED TO HOUSING
  2. TERMINAL INSULATOR GASKET SEALED
  3. SILVER LAMINATED CONTACT SURFACE AT TERMINALS
  4. SOLID SILVER RIVETS ON MOVING CONTACT
  5. ALL STEEL PARTS PLATED
  6. ALL DIMENSIONS REFERENCE ONLY UNLESS NOTED OTHERWISE

**Tolerances:** Unless otherwise specifically noted, the following are default tolerances:  
 \* 2-place Decimal Dimensiones - ".XZ"  
 \* 3-place Decimal Dimensiones - ".XXX"  
 \* Angular Dimensiones - ".1-1.5 Deg."  
 \* Metric: Refer to equivalent English Dimension Tolerance  
 \*\*\* NOTE: All tolerances are *Non-Cumulative*. \*\*\*

**Dimensional Units:** All dimensiones are expressed in inches except those shown in brackets (mm) are expressed in millimetres

**"MFG." or "Assembled In":** Non-Tolerance Reference Dimension, shown for distribution purposes only.

Used On or Ref.: **TERM INSUL & SILVER CONTACTS**

Scale: **1:1**

**PROPRIETARY INFORMATION:** This Engineering Drawing, and the information contained herein, is proprietary to Cole Hersee Company and may not be disclosed, reproduced, or in any other way transmitted or communicated to any other party without the express written consent of an authorized representative of Cole Hersee Company.

**DESIGN CONTROL:** It is the responsibility of the individual salesperson/representative of this drawing to ensure that the stated design revision level agrees with the revision level of the Controlled Document (Master Drawing). This is a **NON-CONTROLLED DOCUMENT** unless otherwise specifically noted.

**DO NOT SCALE!** - Dimensional variation may occur during printing/ reproduction.

Drawn: **VK** Date: **9/5/78**

**Key for Special Characteristics:**

- ⊕ Critical Characteristics, relating to Safety under Regulatory Compliance
- X Significant Characteristics relating to Process Control (SPC)
- ⊙ Control Dimension relating to Form - Fit - Function as defined by Cole Hersee Company and/or the Customer

Note that the identification of any characteristic as being "Special" does not alter the requirement that ALL specified dimensiones & tolerances must be met.

Responsible Engineer: **N/A** Pg. 1 of 1

**Revision Control Record**

Rev.	Description of Change	ECN No.	Date
E	FIXED DIMENSION	01438	7/26/01

**Cole Hersee Co.**  
 20 Old Colony Ave., South Boston, MA, 02127  
 Phone: 617-288-2100 Web: www.colehersee.com

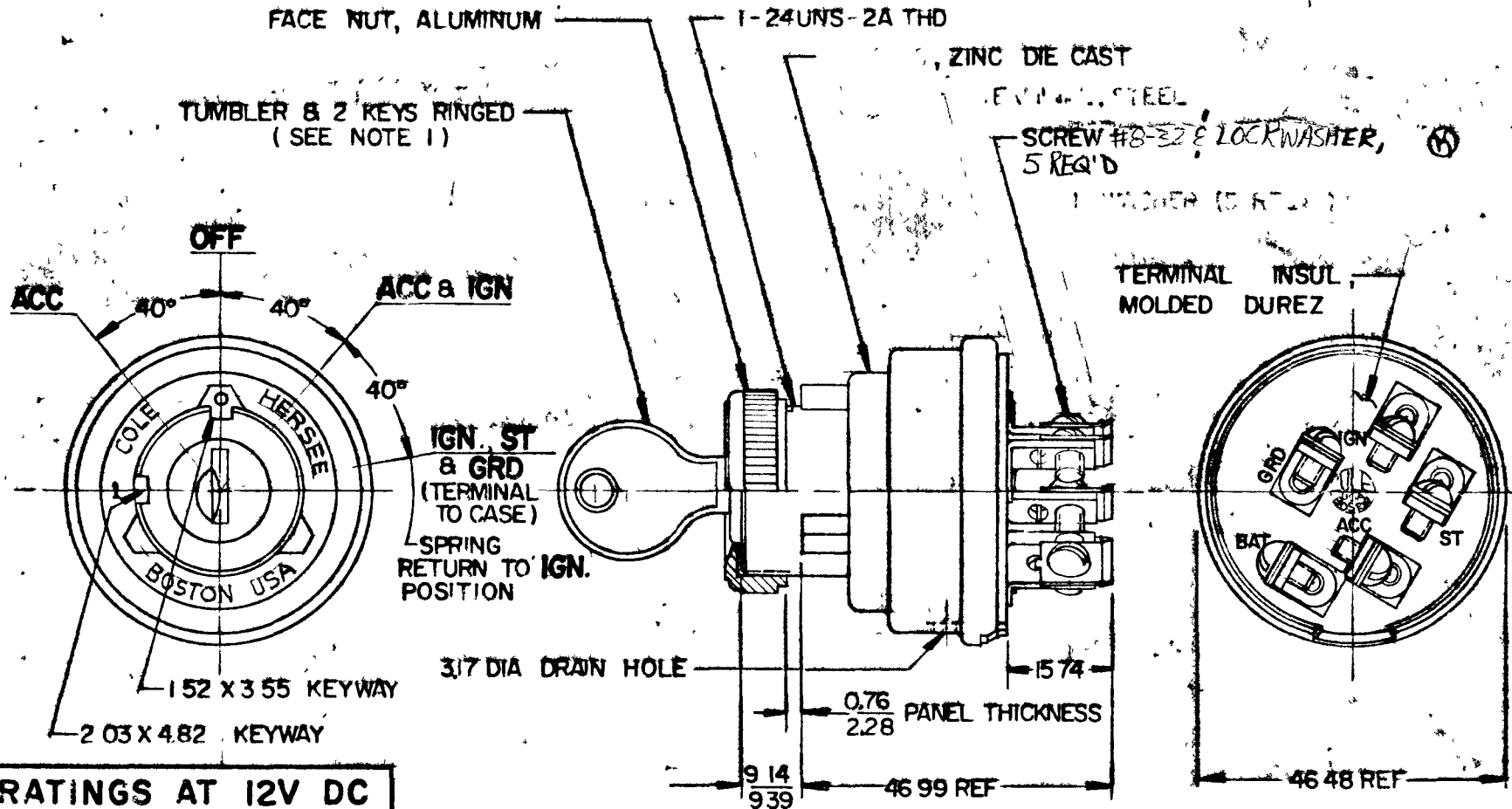
**Description:** 4 POSITION IGNITION & START SWITCH

Drawing / Part No.: **956-4141** Current Rev.: **E**

MM	N
0.25	.00
0.76	.030
1.52	.060
2.03	.080
2.28	.090
3.17	.125
3.55	.140
4.82	.190
9.14	.360
9.99	.370
15.74	.620
46.48	1.830
46.99	1.850

APPLICABLE SAE STANDARD OR RECOMMENDED PRACTICE SAE J259

956-4154



**RATINGS AT 12V DC**

ACC CIRCUIT	10 AMPS
IGN CIRCUIT	10 AMPS
ST CIRCUIT	5 AMPS
GRD CIRCUIT	1 AMP

**METRIC**

**NOTES:**

- 1 SHUTTER TYPE SEAL ON LOCK FACE
- 2 ALL STEEL PARTS PLATED WITH GALVANNEAL PLATE

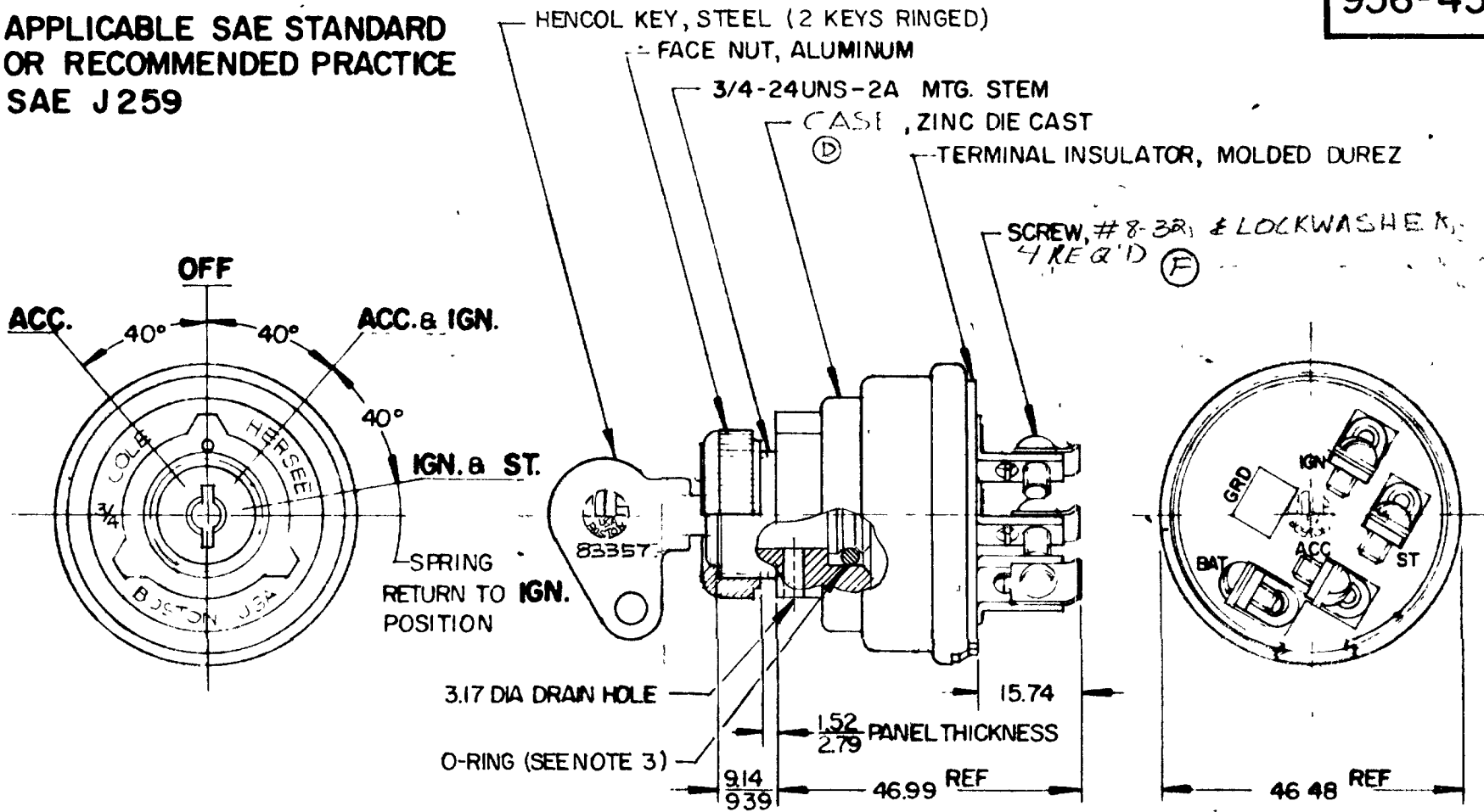
DO NOT SCALE

LET	WAS	DATE	BY	LET	WAS	DATE	BY	MATERIAL	DRAWN	CHECKED	APPR'D	SCALE	DATE DRAWN
								—H—	C F	413-78		FULL	2-23-67
								FINISH	COLE-HERSEE COMPANY				DATE BLUEPRINT
				K	ECN #100142	3/1/00	KF		BOSTON, MASS 02127, U.S.A				
				J	CAO UN / 25234	12/22/92	T H	TOLERANCES	4-POSITION				956-4154
				H	REDRAWN	3-9-78	JV	FRACTIONAL ± DECIMAL ±0.25	IGNITION & START SWITCH				

MM	IN
0.25	.010
1.27	.050
2.79	.110
3.17	.125
9.14	.360
9.39	.370
15.74	.620
46.48	1.830
46.99	1.850

956-4307

APPLICABLE SAE STANDARD  
OR RECOMMENDED PRACTICE  
SAE J259



RATINGS AT 12 V.D.C.	
ACC. CIRCUIT	10 AMPS
IGN. " "	10 " "
ST. " "	5 " "

METRIC

- NOTES:
- 1 TERMINAL INSUL GASKET SEALED
  - 2 ALL STEEL PARTS PLATED
  - 3 SHAFT O-RING SEALED TO HOUSING.

DO NOT SCALE

LET	WAS	DATE	BY	LET	WAS	DATE	BY	MATERIAL	DRAWN	APPRVD	SCALE	DATE DRAWN
								#	CF	6-1-79	11	12-12-66
				F	ECN 00137	3/1/00	HA	FINISH				DATE BLUEPRINT
				I	CAD OR ZINC / 25234	12/18/92	111	#				
				D	HOUSING	8-16-82	PB	TOLERANCES				
				C	REDRAWN	5-21-79	JV	DECIMAL ± .010				
								METRIC ± .25				

**CH** Cole Hersee Co.  
7700 AVENUE SIX - BOSTON, MASSACHUSETTS 02130

4- POSITION  
IGNITION & START SWITCH

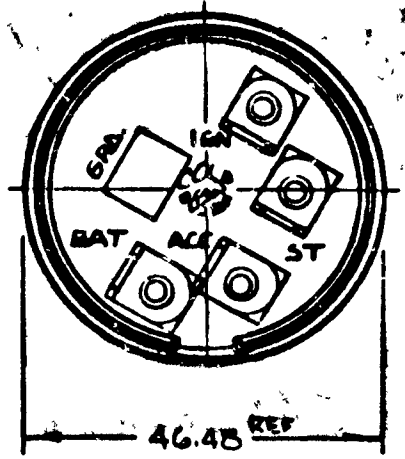
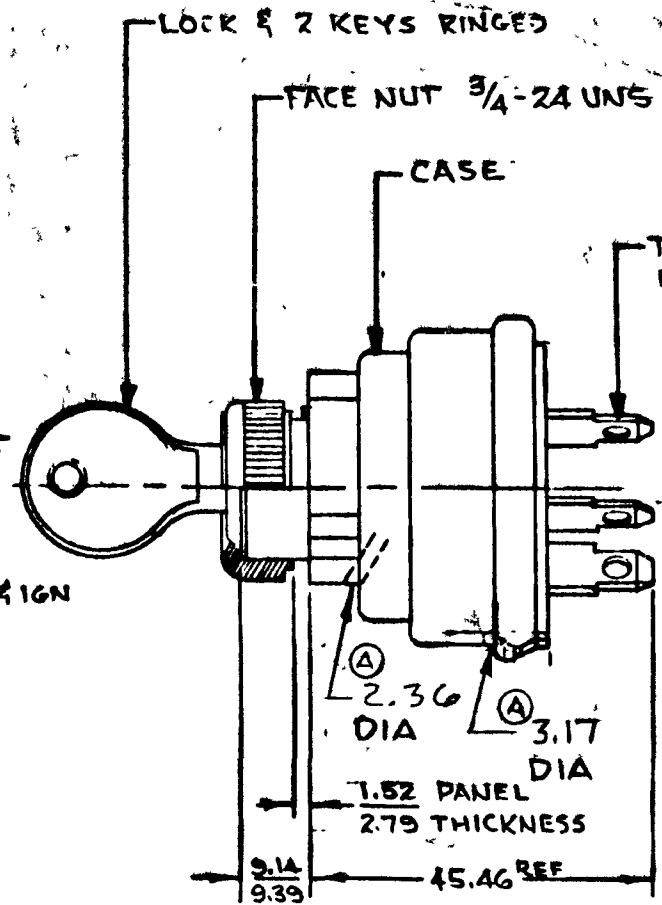
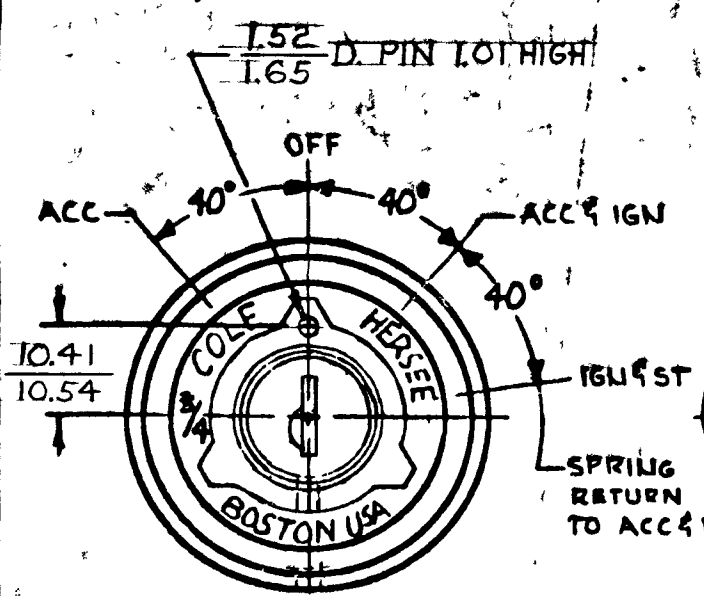
956-4307



MM	IN
1.01	.040
1.52	.060
1.65	.065
2.79	.110
3.14	.125
3.39	.135
3.70	.145
4.10	.160
4.15	.165
1.750	.06875
1.830	.07200
.093	.00375
.125	.00500

956-4311

APPLICABLE SAE STANDARD OR  
RECOMMENDED PRACTICE SAE J269



EX 20121

- NOTES:
1. SHUTTER SEAL ON LOCK FACE
  2. LOCK O RING SEALED TO CASE
  3. TERM. INSULATOR GASKET SEALED
  - ④ 4. DRAIN HOLES ARE IN LINE 90° FROM & SHOWN

ST	5 AMPS
IGN	10 AMPS
ACC	10 AMPS

RATING @ 12V DC

METRIC

DO NOT SCALE

LET	WAS	DATE	BY	LET	WAS	DATE	BY	MATERIAL	DRAWN	CHECKED	APPROVD.	SCALE	DATE DRAWN
								#	RJF	RFB		1"=1"	6-17-83
								FINISH					DATE BLUEPRINT
				A	ADD'D DIM'S ECN 72701	7-2-83	WPS	TOLERANCES					
					ISSUED	9/2/83	LB	DECIMAL ±.010 METRIC ±2.54					
													956-4311

**CH. Cole Hersee Co.**  
A SAE MEMBER COMPANY

4 POSITION  
IGNITION & START SWITCH

APPLICABLE SAE STANDARD OR RECOMMENDED PRACTICE SAE J259

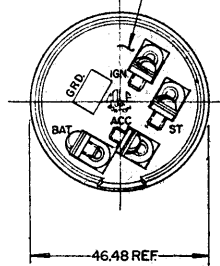
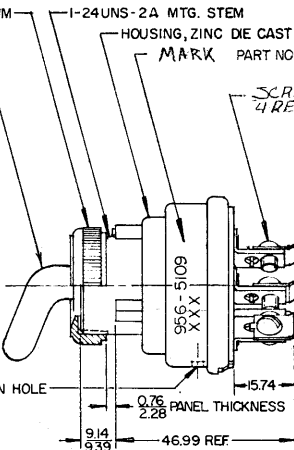
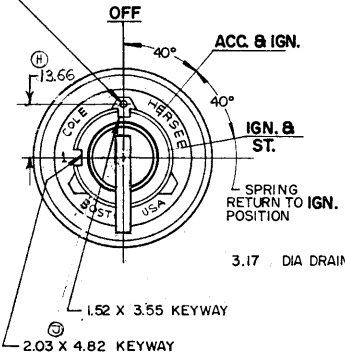
956-5109

FACE NUT, ALUMINUM  
 LEVER, ZINC DIE CAST, CHROME PLT.  
 HOUSING, ZINC DIE CAST  
 MARK PART NO. & DATE CODE AT RANDOM (N)

① 1.57 DIA. x 1.01 HIGH PIN

SCREW, # 8-32, & LOCKWASHER  
 4 REQ'D (M)

TERMINAL INSULATOR  
 BROWN (O)



- NOTE:  
 1. TERMINAL INSULATOR GASKET SEALED  
 2. SHOULDER TYPE RIVET CONSTRUCTION  
 3. SILVER LAMINATED CONTACT SURFACES  
 (L) 4. ALL STEEL PARTS PLATED

**METRIC**

Confidential Property of Cole Hersee

DO NOT SCALE

LET	WAS	DATE	BY	LET	WAS	DATE	BY	MATERIAL	DRAWN	CHECKED	APPROVED	SCALE	DATE DRAWN
				L	CAD CR ZINC 25034	12/29/70	BJ	—	RW			1:1	9-16-71
				K	ECN 25189	8/13/72	SH	FINISH					
				J	DELTA NOTE 23263	9-30-86	ZU	—					
N	ECN 200422	6/6/00	MK	H	REVISED 22457	6/6/04	JK	TOLERANCES					
M	ECN 00137	3/1/00	WH	G	REDRAWN	1-19-78	R	FRACTIONAL ±					
								DECIMAL ± .25					



3 - POSITION  
 IGNITION & START SWITCH

956-5109

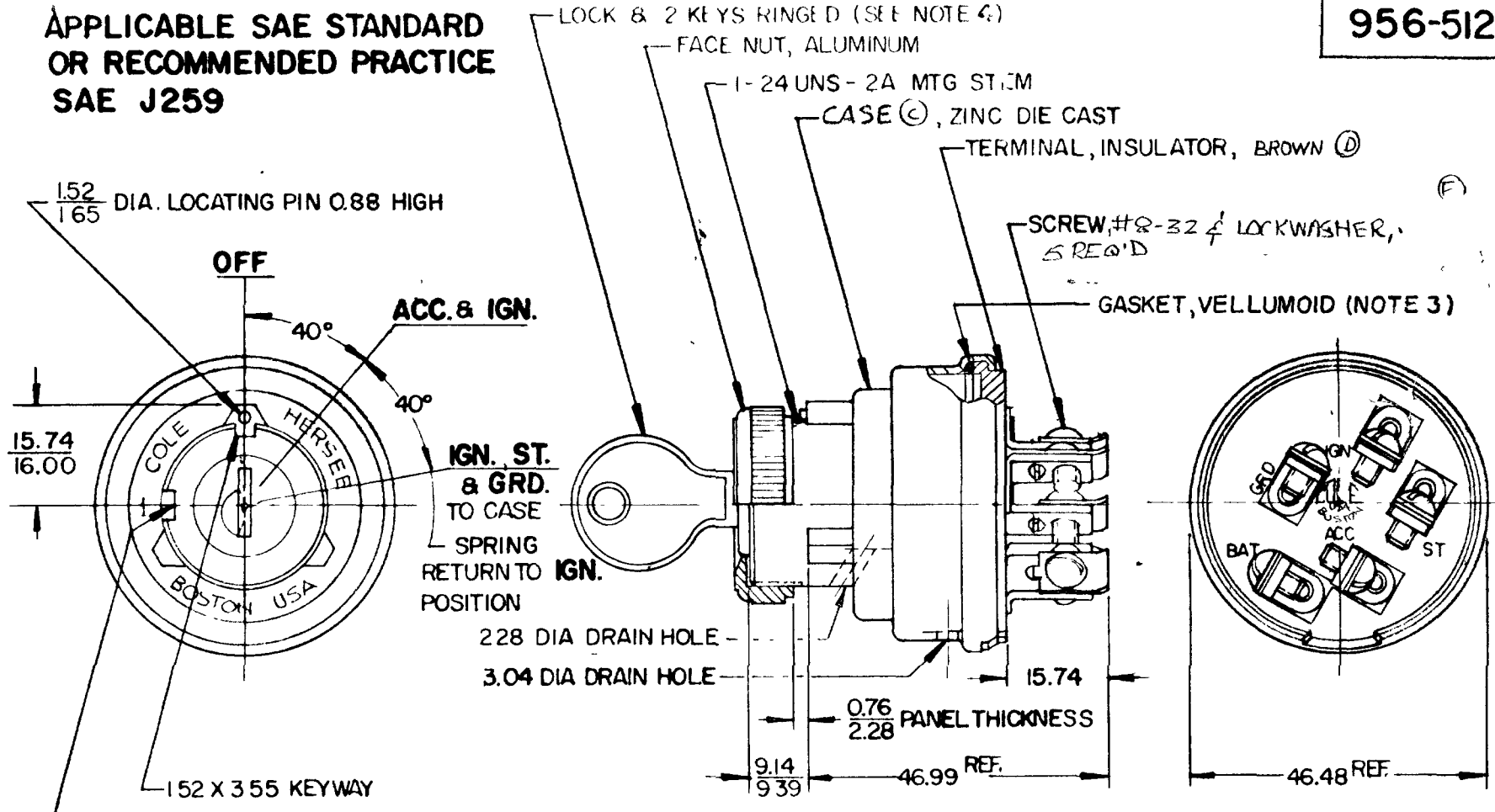
MM  
 0.25  
 0.75  
 1.01  
 1.52  
 2.03  
 2.28  
 3.17  
 3.55  
 4.82  
 9.14  
 9.39  
 46.48  
 46.99  
 13.66

FORM 9-28-71  
 -X-16003C

MIM	IN
0.2	0.008
0.25	0.010
0.3175	0.0125
0.38	0.015
0.5075	0.020
0.625	0.025
0.75	0.030
0.875	0.035
1.0	0.040
1.125	0.045
1.25	0.050
1.375	0.055
1.5	0.060
1.625	0.065
1.75	0.070
1.875	0.075
2.0	0.080
2.125	0.085
2.25	0.090
2.375	0.095
2.5	0.100
2.625	0.105
2.75	0.110
2.875	0.115
3.0	0.120
3.125	0.125
3.25	0.130
3.375	0.135
3.5	0.140
3.625	0.145
3.75	0.150
3.875	0.155
4.0	0.160
4.125	0.165
4.25	0.170
4.375	0.175
4.5	0.180
4.625	0.185
4.75	0.190
4.875	0.195
5.0	0.200
5.125	0.205
5.25	0.210
5.375	0.215
5.5	0.220
5.625	0.225
5.75	0.230
5.875	0.235
6.0	0.240
6.125	0.245
6.25	0.250
6.375	0.255
6.5	0.260
6.625	0.265
6.75	0.270
6.875	0.275
7.0	0.280
7.125	0.285
7.25	0.290
7.375	0.295
7.5	0.300
7.625	0.305
7.75	0.310
7.875	0.315
8.0	0.320
8.125	0.325
8.25	0.330
8.375	0.335
8.5	0.340
8.625	0.345
8.75	0.350
8.875	0.355
9.0	0.360
9.125	0.365
9.25	0.370
9.375	0.375
9.5	0.380
9.625	0.385
9.75	0.390
9.875	0.395
10.0	0.400
10.125	0.405
10.25	0.410
10.375	0.415
10.5	0.420
10.625	0.425
10.75	0.430
10.875	0.435
11.0	0.440
11.125	0.445
11.25	0.450
11.375	0.455
11.5	0.460
11.625	0.465
11.75	0.470
11.875	0.475
12.0	0.480
12.125	0.485
12.25	0.490
12.375	0.495
12.5	0.500
12.625	0.505
12.75	0.510
12.875	0.515
13.0	0.520
13.125	0.525
13.25	0.530
13.375	0.535
13.5	0.540
13.625	0.545
13.75	0.550
13.875	0.555
14.0	0.560
14.125	0.565
14.25	0.570
14.375	0.575
14.5	0.580
14.625	0.585
14.75	0.590
14.875	0.595
15.0	0.600
15.125	0.605
15.25	0.610
15.375	0.615
15.5	0.620
15.625	0.625
15.75	0.630
15.875	0.635
16.0	0.640
16.125	0.645
16.25	0.650
16.375	0.655
16.5	0.660
16.625	0.665
16.75	0.670
16.875	0.675
17.0	0.680
17.125	0.685
17.25	0.690
17.375	0.695
17.5	0.700
17.625	0.705
17.75	0.710
17.875	0.715
18.0	0.720
18.125	0.725
18.25	0.730
18.375	0.735
18.5	0.740
18.625	0.745
18.75	0.750
18.875	0.755
19.0	0.760
19.125	0.765
19.25	0.770
19.375	0.775
19.5	0.780
19.625	0.785
19.75	0.790
19.875	0.795
20.0	0.800
20.125	0.805
20.25	0.810
20.375	0.815
20.5	0.820
20.625	0.825
20.75	0.830
20.875	0.835
21.0	0.840
21.125	0.845
21.25	0.850
21.375	0.855
21.5	0.860
21.625	0.865
21.75	0.870
21.875	0.875
22.0	0.880
22.125	0.885
22.25	0.890
22.375	0.895
22.5	0.900
22.625	0.905
22.75	0.910
22.875	0.915
23.0	0.920
23.125	0.925
23.25	0.930
23.375	0.935
23.5	0.940
23.625	0.945
23.75	0.950
23.875	0.955
24.0	0.960
24.125	0.965
24.25	0.970
24.375	0.975
24.5	0.980
24.625	0.985
24.75	0.990
24.875	0.995
25.0	1.000

**APPLICABLE SAE STANDARD  
OR RECOMMENDED PRACTICE  
SAE J259**

**956-5122**



**NOTES:**

- ①. ALL STEEL PARTS PLATED
- 2. O RING SEAL AT MTG. STEM.
- 3. TERMINAL INSULATOR GASKET SEALED.
- 4. SHUTTER TYPE SEAL ON LOCK FACE.
- 5. COPPER CONTACT SURFACES.

**METRIC**

**DO NOT SCALE**

LET	WAS	DATE	BY	LET	WAS	DATE	BY	MATERIAL	DRAWN	CHECKED	APPROV'D	SCALE	BASC 956-5108 EXCEPT, COPPER CON ORING DRAIN, GRD. CRKT	DATE DRAWN 1-7-75
				F	IGN# 00142	3-11-00	KF	—	JWH	1-30-79		1:1		
				E	CRIP ZINC	12-28-90	JH	FINISH						
				D	ECN 25189	8-13-92	JH	—						
				C	HOUSING	8-17-82	JH	TOLERANCES						
				B	REDRAWN	1-19-79	VK	FRACTIONAL ±						
								DECIMAL ± .25						
													<b>3 - POSITION IGNITION &amp; START SWITCH</b>	<b>956-5122</b>

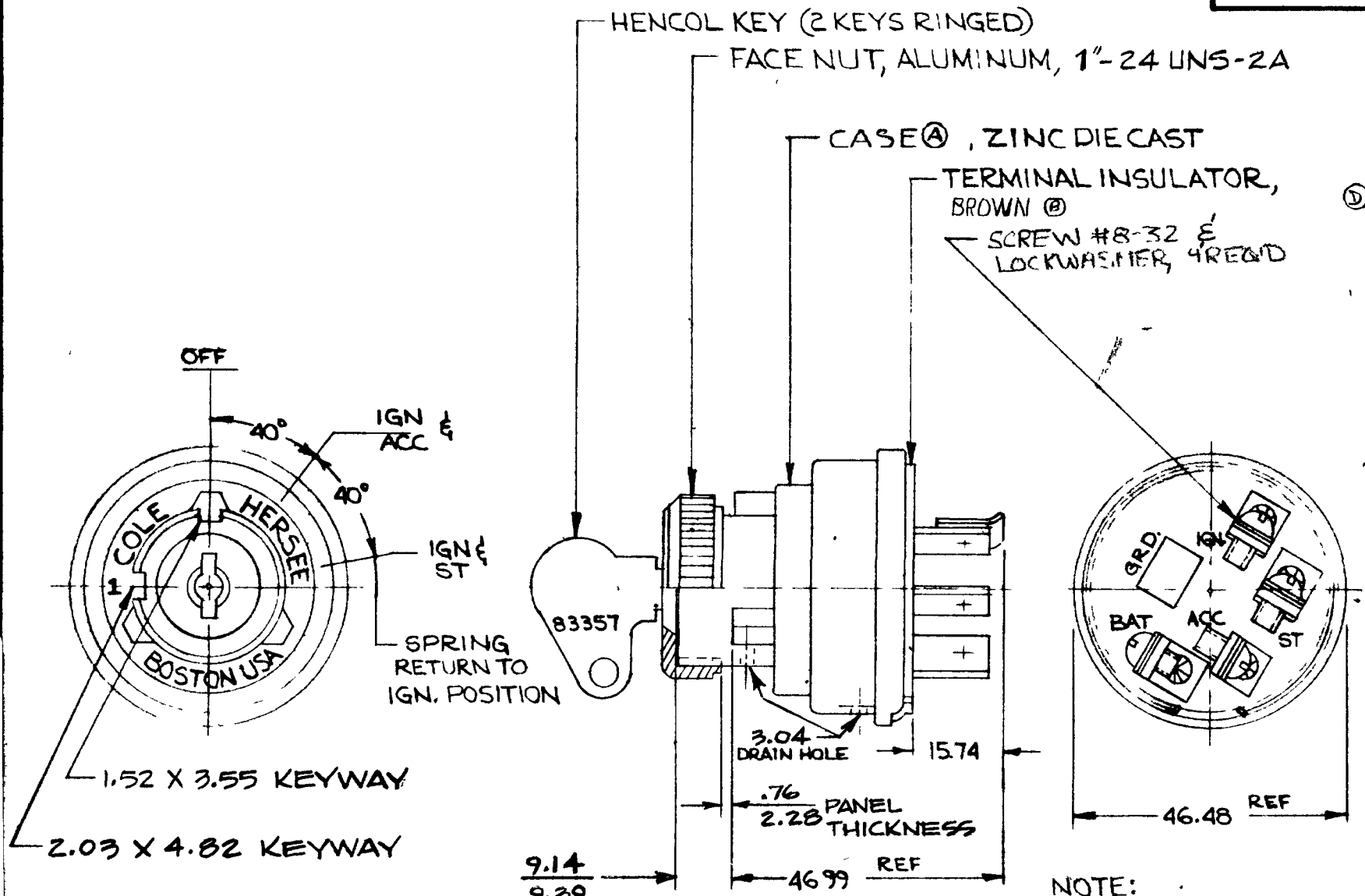
CH 189 (478)

MM	IN.
.25	.010
.70	.030
1.15	.060
2.03	.080
2.28	.090
3.04	.120
3.55	.140
4.82	.190
9.14	.360
9.39	.370
15.74	.620
46.48	1.820
46.99	1.850

APPLICABLE SAE STANDARD OR RECOMMENDED PRACTICE SAE J259

956-5124

COLE-HERSEE CO.  
N.P.M.



METRIC

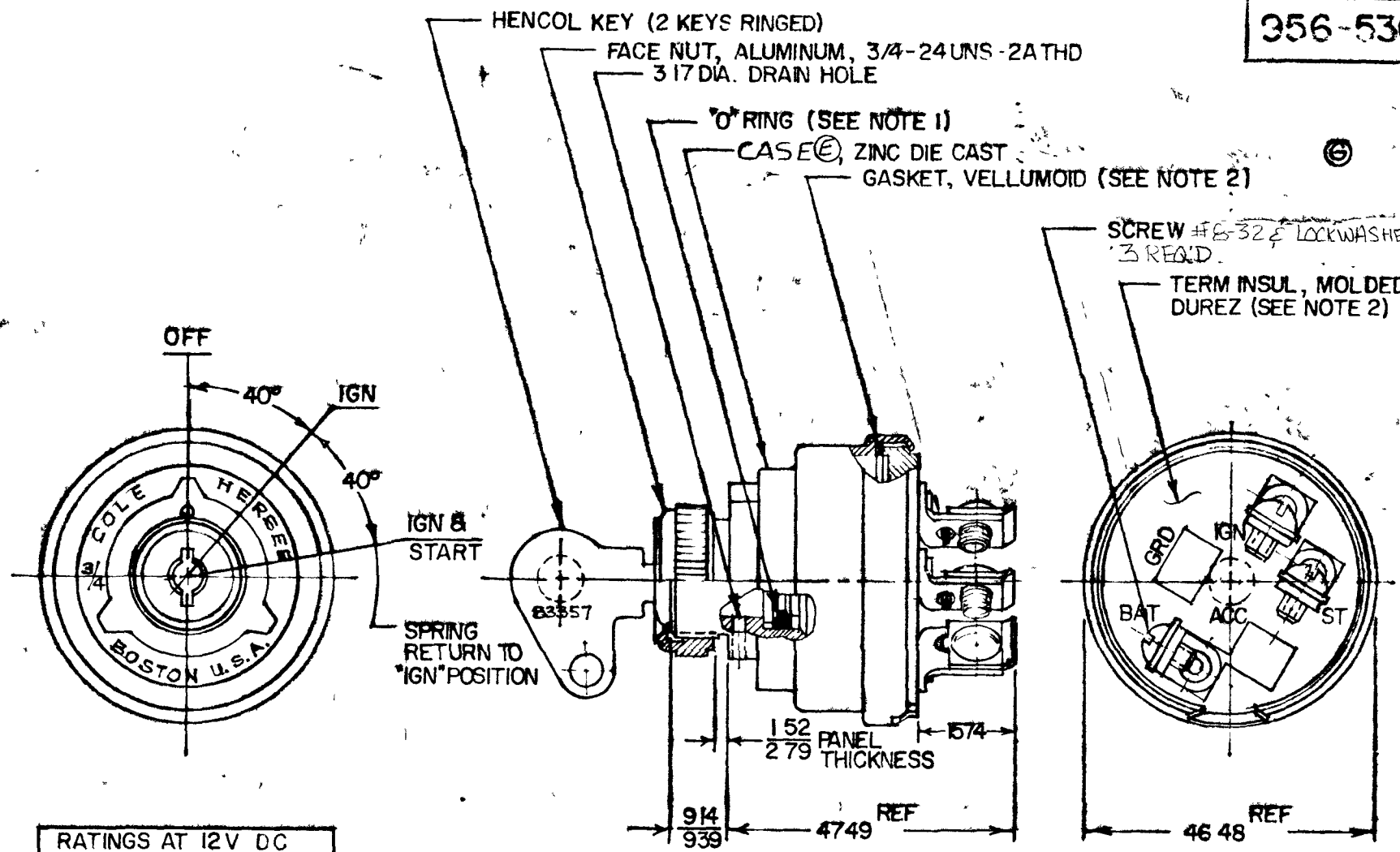
NOTE:  
1. O RING SEALED.

2. ALL STEEL PARTS PLATED DO NOT SCALE

LET	WAS	DATE	BY	LET	WAS	DATE	BY	MATERIAL	DRAWN	CHECKED	APPR'D	SCALE	BASIC 956-5115 EXCEPT O RING SEALED	DATE DRAWN
				D	ECN#00138	3/11/75	KF	---	KG	11-5-75		FULL		11-4-75
				C	HOLE ADDED / 050239	12/23/80	LH	FINISH						
				B	ECN 25189	8-19-92	JH	---						
				A	HOUSING ISSUED	8-17-82	PS	TOLERANCES						
						3-3-77	PS	FRACTIONAL ±						
								DECIMAL ±.25						
<b>COLE-HERSEE COMPANY</b> BOSTON, MASS. 02127, U.S.A.													DATE BLUEPRINT	
<b>IGN. START SWITCH</b>													956-5124	

MM	IN
1.52	.010
2.79	.100
3.14	.110
3.39	.130
3.74	.140
4.48	.160
5.49	.180
6.17	.200

356-5307



RATINGS AT 12V DC	
IGN CIRCUIT	10 AMPS
START	5

- NOTE
1. SHAFT O-RING SEALED TO CASE
  2. TERM INSUL GASKET SEALED
  3. ALL STEEL PARTS PLATED 11T W/DIC-IRON, FL DIP OR CAL 17
  4. APPLICABLE SAE STANDARD OR RECOMMENDED PRACTICE SAE J259

**METRIC**

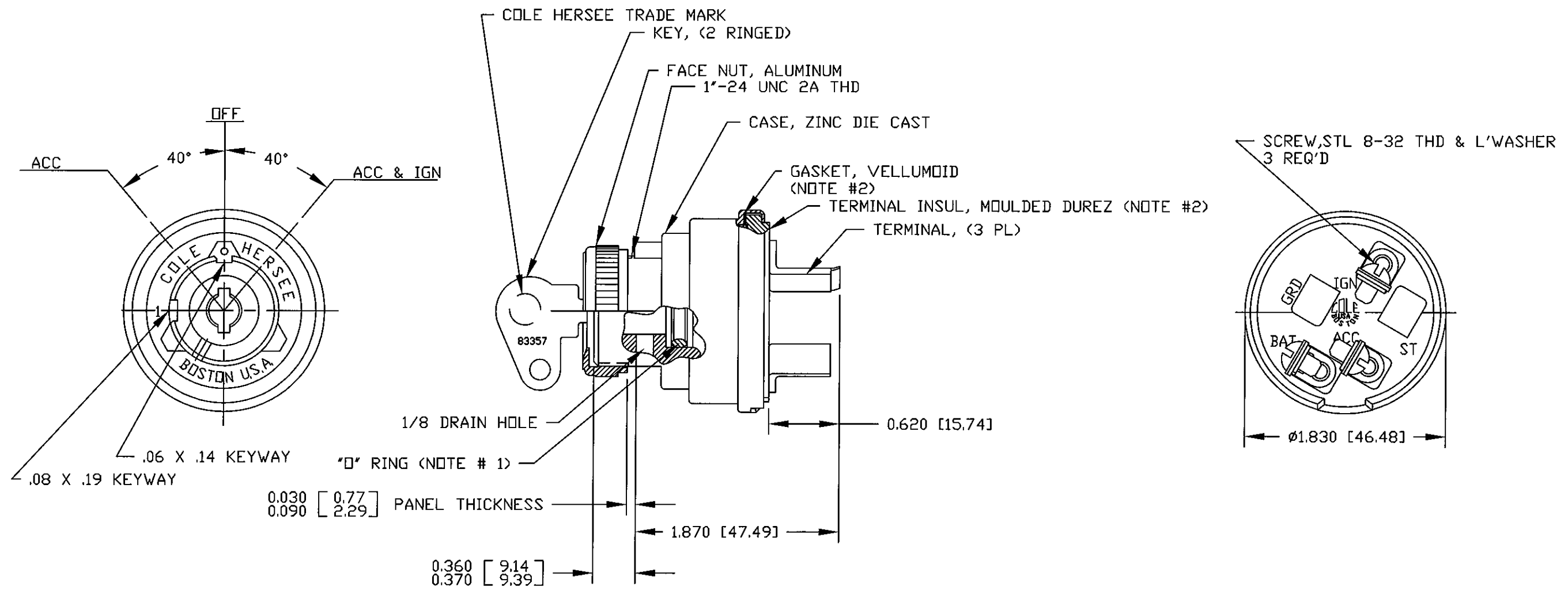
DO NOT SCALE

LET	WAS	DATE	BY	LET	WAS	DATE	BY	MATERIAL	DRAWN	CHECKED	APPRV D	SCALE	DATE DRAWN
									CF	11-20-78		1:1	1-10-66
				G	LEN # 60139	3/1/00	KF	FINISH	 <b>Cole Hersee Co.</b> <small>WORLD COLONY AVENUE SOUTH BOSTON MA U.S.A. 02127</small>				DATE BLUEPRINT
				F	CADU Y 125239	12/18/92	1,4						
				E	HOUSING	8-17-82	1,3	TOLERANCES	<b>3 POS IGNITION &amp; START SW 956-5307</b>				
				D	REDRAWN	11-8-78	R	FRACTIONAL ± DECIMAL ±.25					

CH-188 (4-78)

**Revision Control Record**

Rev.	Description of Change	ECN No.	Date
J	PUT ON CAD	08552	10/09/08



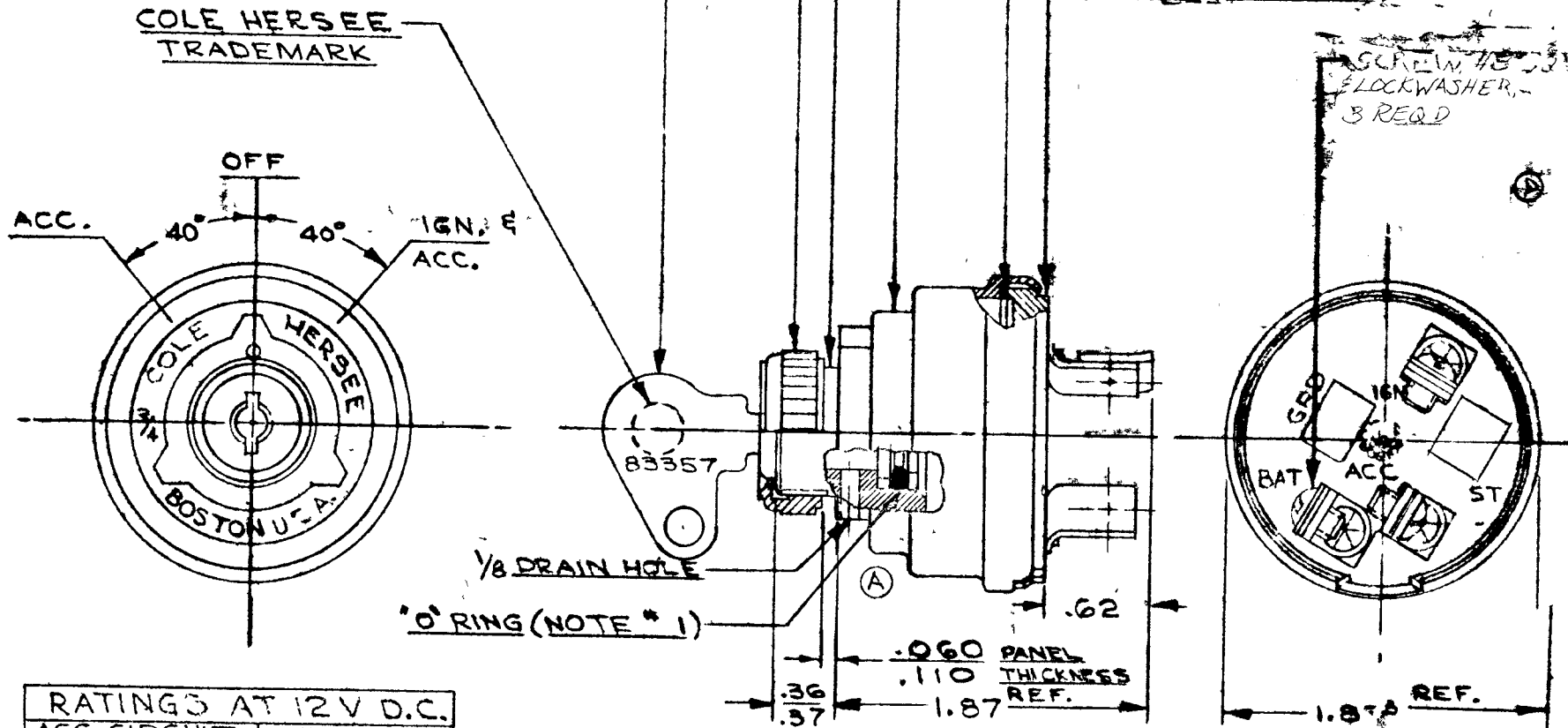
- NOTE:**
1. SHAFT "O" RING SEALED TO CASE
  2. TERMINAL INSULATOR GASKET SEALED
  3. ALL STEEL PARTS PLATED
  4. ALL DIMENSION REFERENCE
  5. APPLICABLE SAE STANDARD OR RECOMMENDED PRACTICE SAE J259

RATINGS @ 12V DC	
ACC. CIRCUIT	10 AMPS
IGN.	10 AMPS

<p><b>Tolerances</b> Unless otherwise specifically noted, the following are default tolerances;</p> <ul style="list-style-type: none"> <li>• 2-place Decimal Dimensions +/- .02"</li> <li>• 3-place Decimal Dimensions +/- .005"</li> <li>• Angular Dimensions +/- 1.0 Deg.</li> <li>• Metric: Refer to equivalent English Dimension Tolerance</li> </ul> <p>&gt;&gt;&gt; NOTE: All tolerances are Non-Cumulative. &lt;&lt;&lt;</p> <p><b>Dimensional Units</b> All dimensions are expressed in inches except those shown in brackets (xxx) are expressed in millimeters</p> <p>"REF." or an Asterisk (*) = Non-Toleranced Reference Dimension, shown for clarification purposes only.</p>	<p><b>PROPRIETARY INFORMATION</b> This Engineering Drawing, and the information contained herein, is proprietary to Cole Hersee Company and may not be disclosed, re-produced, or in any other way transferred or communicated to any other party without the express written consent of an authorized representative of Cole Hersee Company.</p> <p><b>DESIGN CONTROL</b> It is the responsibility of the individual using / referencing this drawing to assure that the noted design revision level agrees with the revision level of the Controlled Document (Master Drawing). This is a NON-CONTROLLED DOCUMENT unless otherwise specifically noted.</p> <p>DO NOT SCALE - Dimensional variation may occur during printing / reproduction.</p>	<p><b>Special Characteristics:</b></p> <ul style="list-style-type: none"> <li>CC Critical Characteristic, relating to Safety and/or Regulatory Compliance</li> <li>X Significant Characteristic relating to Process Control (SPC)</li> <li>KC Control Dimension relating to Form - Fit - Function as defined by Cole Hersee Company and/or the Customer</li> </ul> <p>(Note that the identification of any Characteristics as being "Special" does not alter the requirement that ALL specified dimensions &amp; tolerances must be met.)</p>	<p><b>Cole Hersee Co.</b>                  20 Old Colony Ave., South Boston, MA, 02127                  Phn: 617-268-2100 Web: www.colehersee.com</p> <p><b>Description:</b>  <b>ACC-IGNITION SW</b></p>
<p>Used On or Ref.:</p>	<p>Scale: <b>1:1</b></p>	<p>Drawn By: <b>CF</b></p>	<p>Date Drawn: <b>10/06/66</b></p>
<p>Responsible Engineer:</p>		<p>Pg. 1 of 1</p>	
<p>Part No.: <b>956-6107</b></p>		<p><b>J</b></p>	

COLE-HERSEE CO.

APPLICABLE SAE STANDARD OR RECOMMENDED PRACTICE SAE J259



956-6307

RATINGS AT 12 V D.C.	
ACC. CIRCUIT	10 AMPS
IGN.	10

- NOTE:
1. SHAFT "O" RING SEALED TO CASE
  2. TERMINAL INSULATOR GASKET SEALED
- © 3 ALL STEEL PARTS PLATED

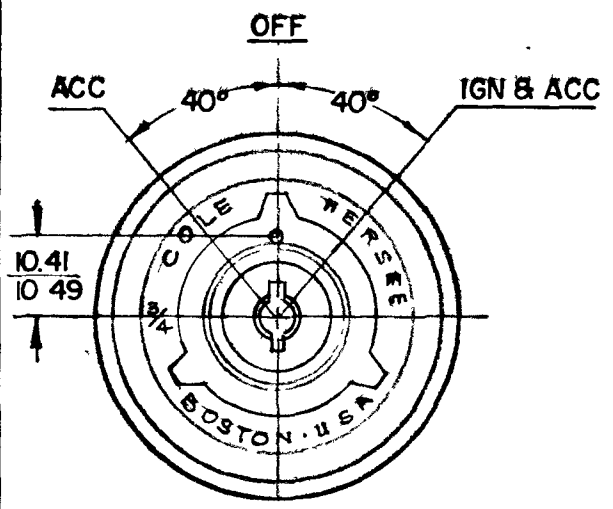
REV	WAS	DATE	BY	REV	WAS	DATE	BY	MATERIAL	DRAWN	CHECKED	APPROV'D	SCALE	USED ON	DATE DRAWD
				F	FCM COPY	3/2/88	MA		CF	UM		FULL		1-31-67
				C	NOTE 3 ADDED	12/18/92	JH							
				B	HOUSING	8-17-82	RS							
				A	STL SPEC ADDED	3-4-74	W							
					ISSUED	3-9-67	HF							
<b>COLE-HERSEE COMPANY</b> BOSTON 27, MASS., U.S.A.														DATE DRAWD
<b>ACC-IGNITION SWITCH</b>														PART NO
														956-6307

**COLE-HERSEE CO.**  
 NPM 6-6-79  
 EX-18452

MM	IN
.25	.010
1.52	.060
2.79	.110
9.14	.360
9.39	.370
15.74	.620
46.48	1.830
47.49	1.870
3.17	.125
1.01	.040
1.65	.065
10.41	.410
16.49	.413

SEQ	DEPT.	OPERATING INSTRUCTIONS	DIE	MACH

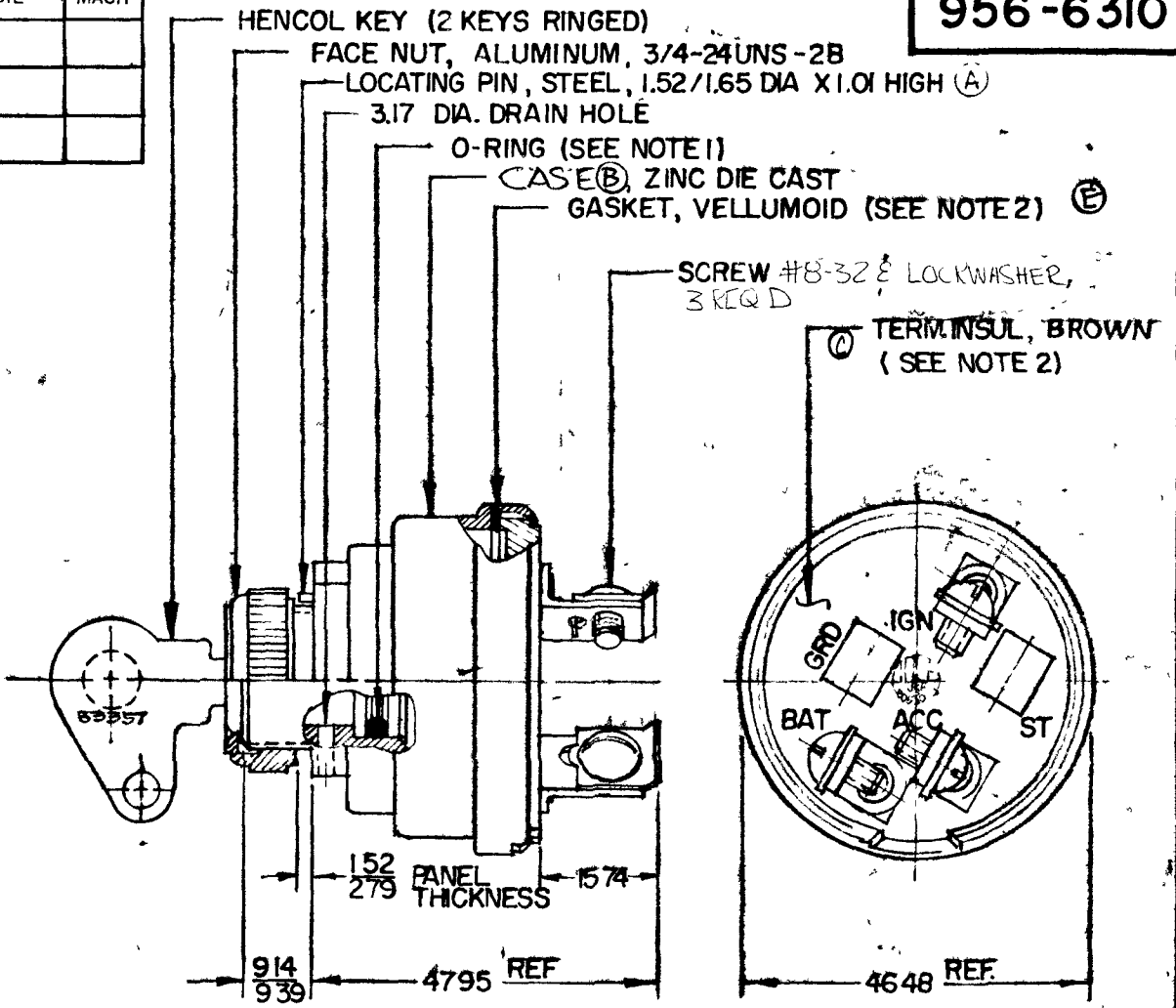
**956-6310**



RATINGS AT 12V DC	
ACC. CIRCUIT	30 AMPS
IGN.	10

APPLICABLE SAE STANDARDS OR RECOMMENDED PRACTICE SAE J259

**METRIC**



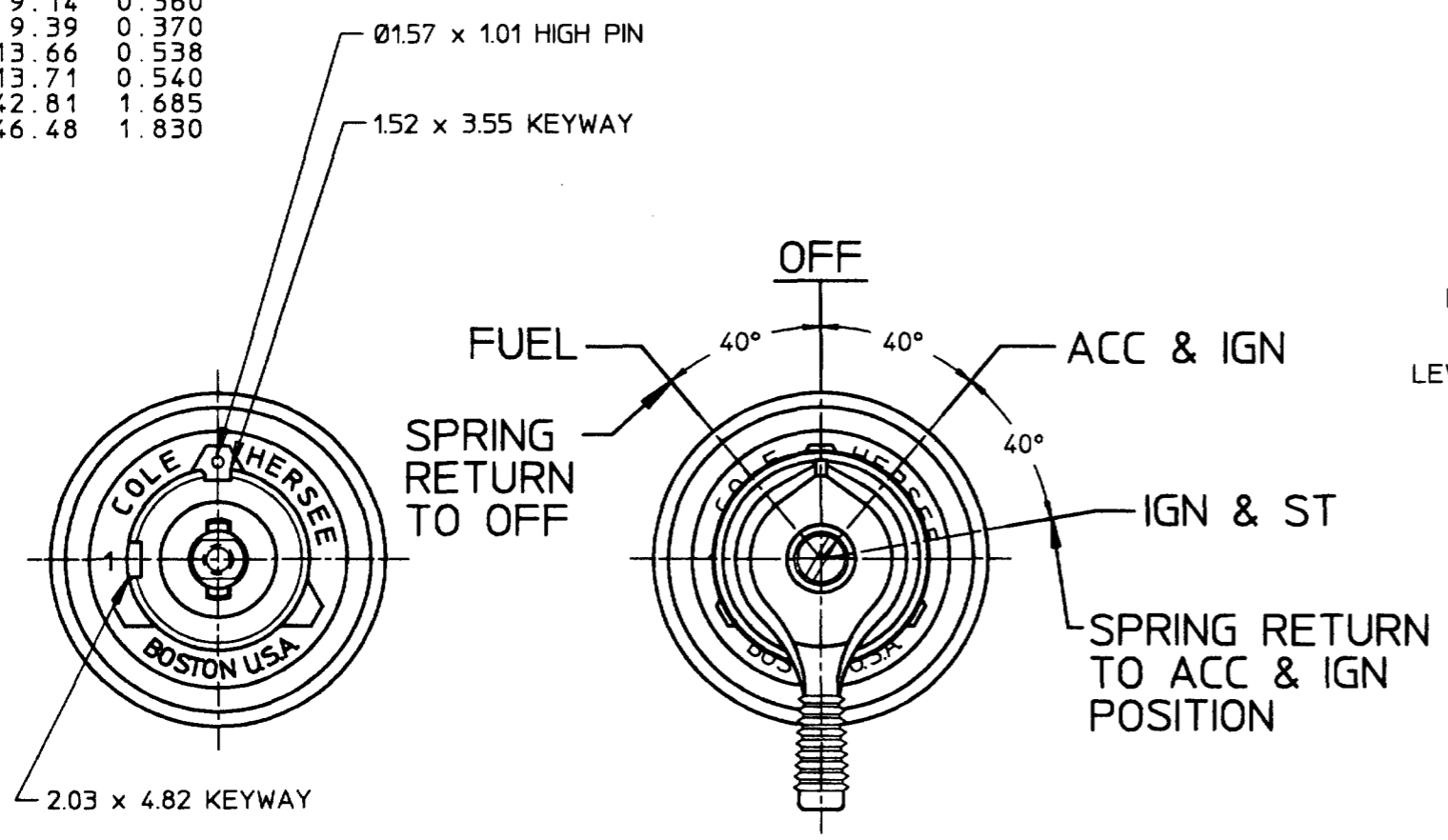
- NOTE:**
1. SHAFT O-RING SEALED TO CASE
  2. TERM INSUL GASKET SEALED
  3. COPPER RIVETS ON MOVABLE CONTACT
  4. ALL STEEL PARTS PLATED

LET	WAS	DATE	BY	LET	WAS	DATE	BY	MATERIAL	DRAWN	CHECKED	APPRVD	SCALE	956-6310 W/ PIN, FIBER TE INSUL & COPPER RIVETS ON CONTACT	DO NOT SCALE
				D	ZINC 126234	12/18/92	TJH	—	RMT	5-23-79		1:1		DATE DRAWN 3-12-79
				C	ECN 25189	8-14-92	TJH	FINISH	<b>COLE-HERSEE COMPANY</b> BOSTON, MASS 02127, U.S.A.					DATE BLUEPRINT
				B	HOUSING	8/1/82	PB	—						
				A	REV 20702	9-12-79	JV	TOLERANCES FRACTIONAL ± DECIMAL ±.25	<b>ACC - IGNITION SWITCH</b>					<b>956-6310</b>
E	ECN #00139	3/1/00	MF	ISSUED	6-1-19	Y								

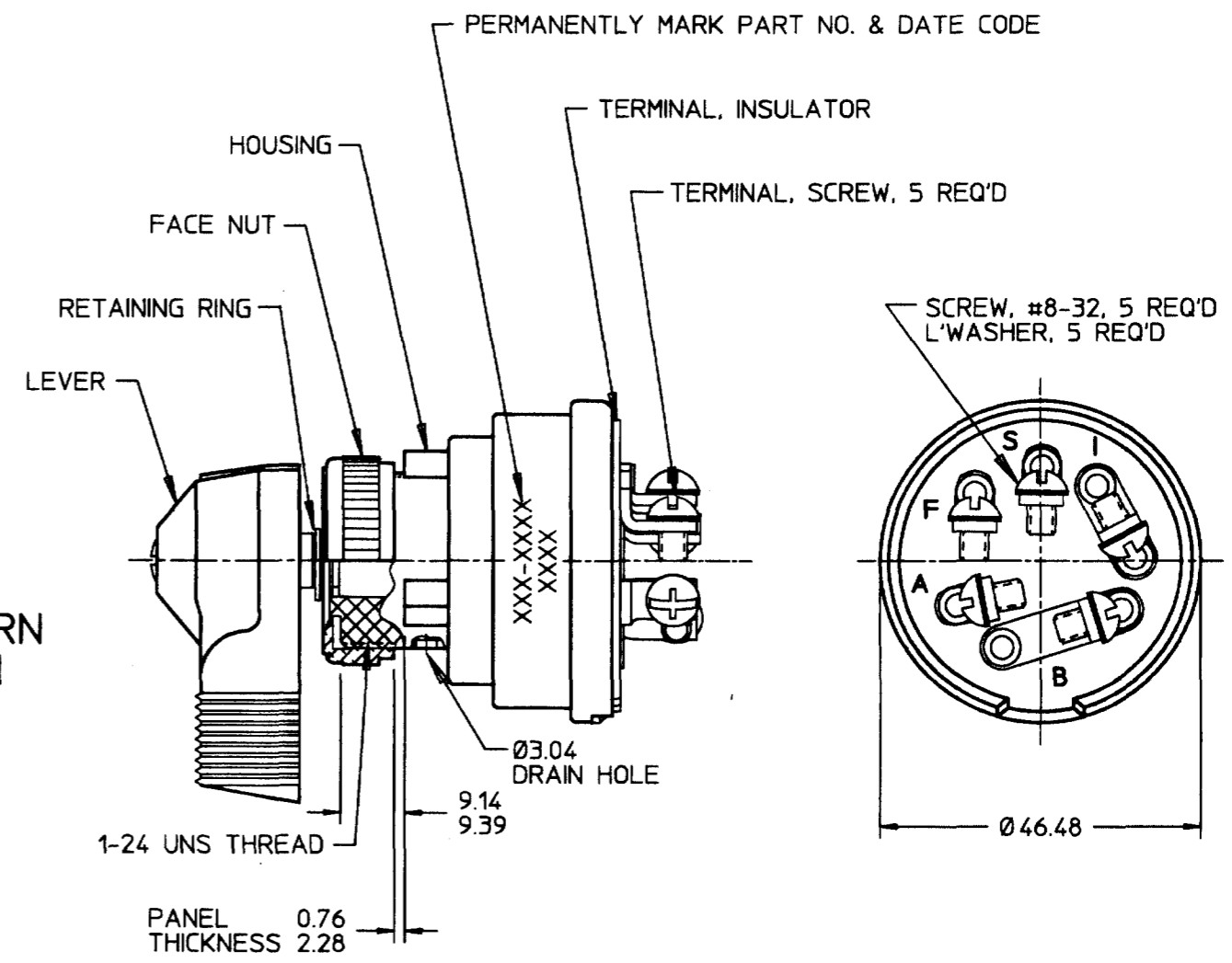
SPAULDING CO., INC



MM	IN
0.76	0.030
1.01	0.040
1.52	0.059
1.57	0.061
2.03	0.080
2.28	0.090
3.04	0.120
3.55	0.140
4.82	0.190
9.14	0.360
9.39	0.370
13.66	0.538
13.71	0.540
42.81	1.685
46.48	1.830



FRONT VIEW SHOWN W/O LEVER AND FACE NUT



- NOTES:
1. ALL STEEL PARTS PLATED
  2. ALL DIMENSIONS ARE REFERENCE ONLY UNLESS OTHERWISE SPECIFIED
  3. SHAFT O-RING SEALED TO CASE
  4. TERMINAL INSULATOR GASKET SEALED
  5. APPLICABLE SAE STANDARD OR RECOMMENDED PRACTICE SAE J259

DO NOT SCALE

RATING AT 12 VDC		LEGEND	
ACCESSORY	10 AMP	BATTERY	B
IGNITION	10 AMP	ACCESSORY	A
START	5 AMP	IGNITION	I
FUEL	10 AMP	START	S
		FUEL	F

METRIC

LET.	WAS	DATE	BY	LET.	WAS	DATE	BY	MATERIAL	DRAWN	CHK	APVD	SCALE	DATE DRAWN
								N/A	JMP	4	N/A	1:1	11/24/97
								FINISH	<b>Cole Hersee Co.</b> 20 OLD COLONY AVENUE, BOSTON, MA., U.S.A., 02127				DATE BLUEPRINTED
								N/A					SW, IGN & START, 4 POS
				A	ECN 00521	06/28/00	DPS	TOLERANCES DECIMAL ± N/A ANGLE ± N/A					



Компания «ЭлектроПласт» предлагает заключение долгосрочных отношений при поставках импортных электронных компонентов на взаимовыгодных условиях!

Наши преимущества:

- Оперативные поставки широкого спектра электронных компонентов отечественного и импортного производства напрямую от производителей и с крупнейших мировых складов;
- Поставка более 17-ти миллионов наименований электронных компонентов;
- Поставка сложных, дефицитных, либо снятых с производства позиций;
- Оперативные сроки поставки под заказ (от 5 рабочих дней);
- Экспресс доставка в любую точку России;
- Техническая поддержка проекта, помощь в подборе аналогов, поставка прототипов;
- Система менеджмента качества сертифицирована по Международному стандарту ISO 9001;
- Лицензия ФСБ на осуществление работ с использованием сведений, составляющих государственную тайну;
- Поставка специализированных компонентов (Xilinx, Altera, Analog Devices, Intersil, Interpoint, Microsemi, Aeroflex, Peregrine, Syfer, Eurofarad, Texas Instrument, Miteq, Cobham, E2V, MA-COM, Hittite, Mini-Circuits, General Dynamics и др.);

Помимо этого, одним из направлений компании «ЭлектроПласт» является направление «Источники питания». Мы предлагаем Вам помощь Конструкторского отдела:

- Подбор оптимального решения, техническое обоснование при выборе компонента;
- Подбор аналогов;
- Консультации по применению компонента;
- Поставка образцов и прототипов;
- Техническая поддержка проекта;
- Защита от снятия компонента с производства.



#### Как с нами связаться

**Телефон:** 8 (812) 309 58 32 (многоканальный)

**Факс:** 8 (812) 320-02-42

**Электронная почта:** [org@eplast1.ru](mailto:org@eplast1.ru)

**Адрес:** 198099, г. Санкт-Петербург, ул. Калинина, дом 2, корпус 4, литера А.