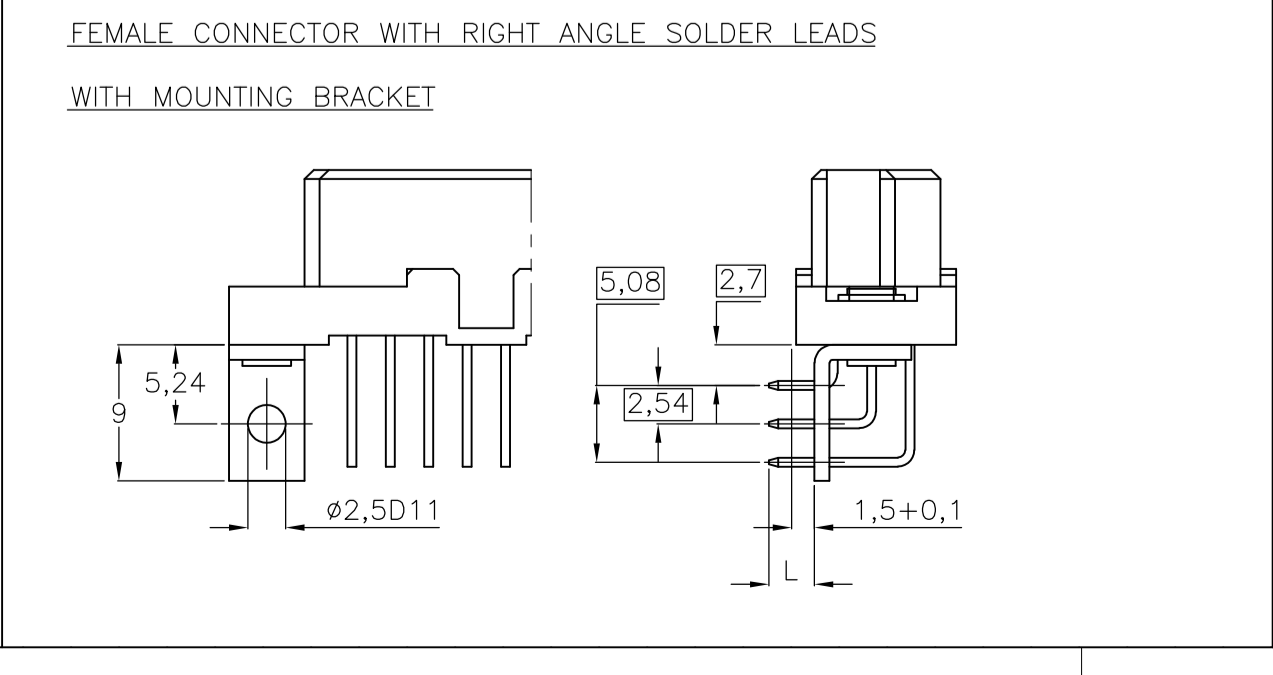
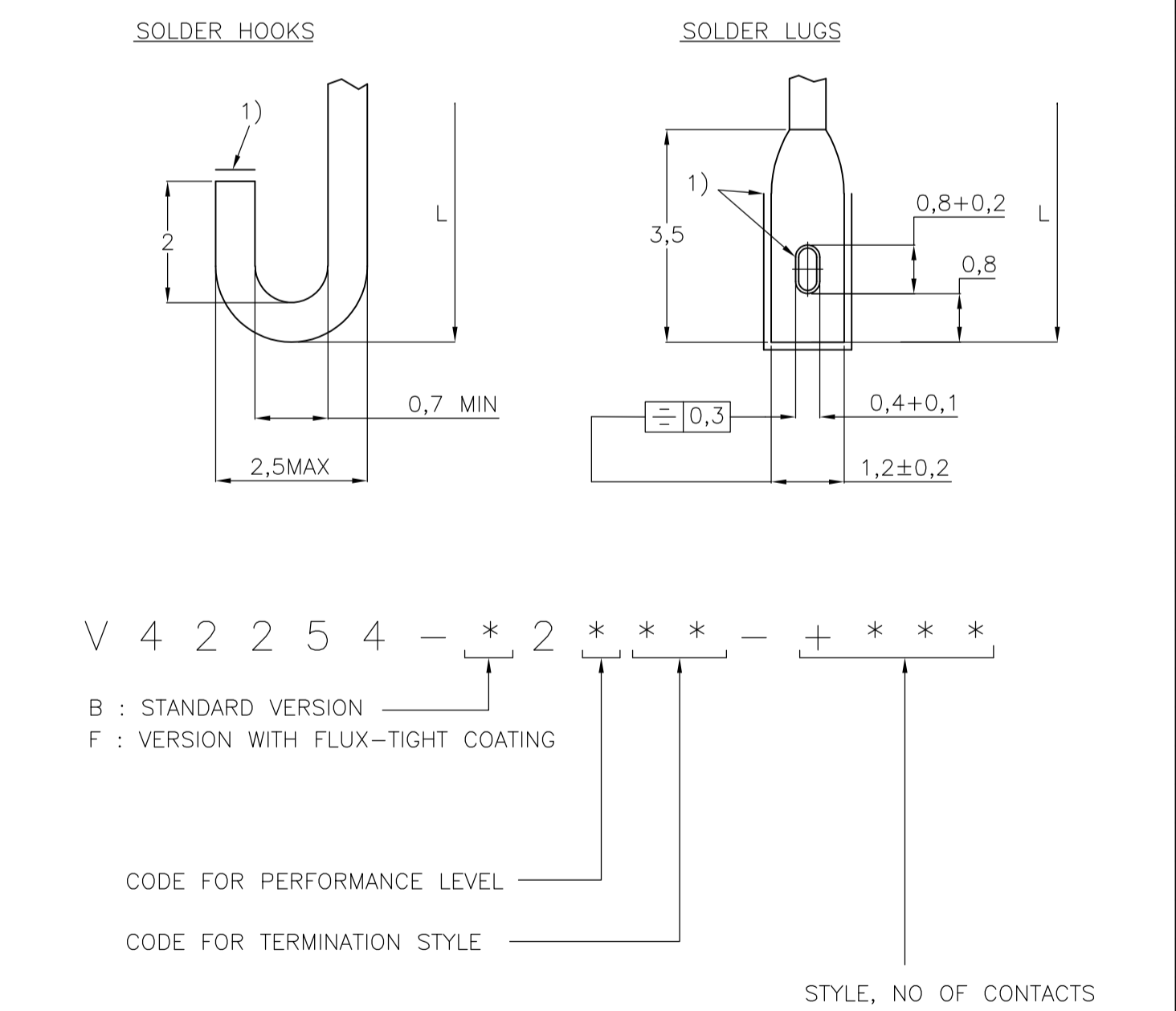
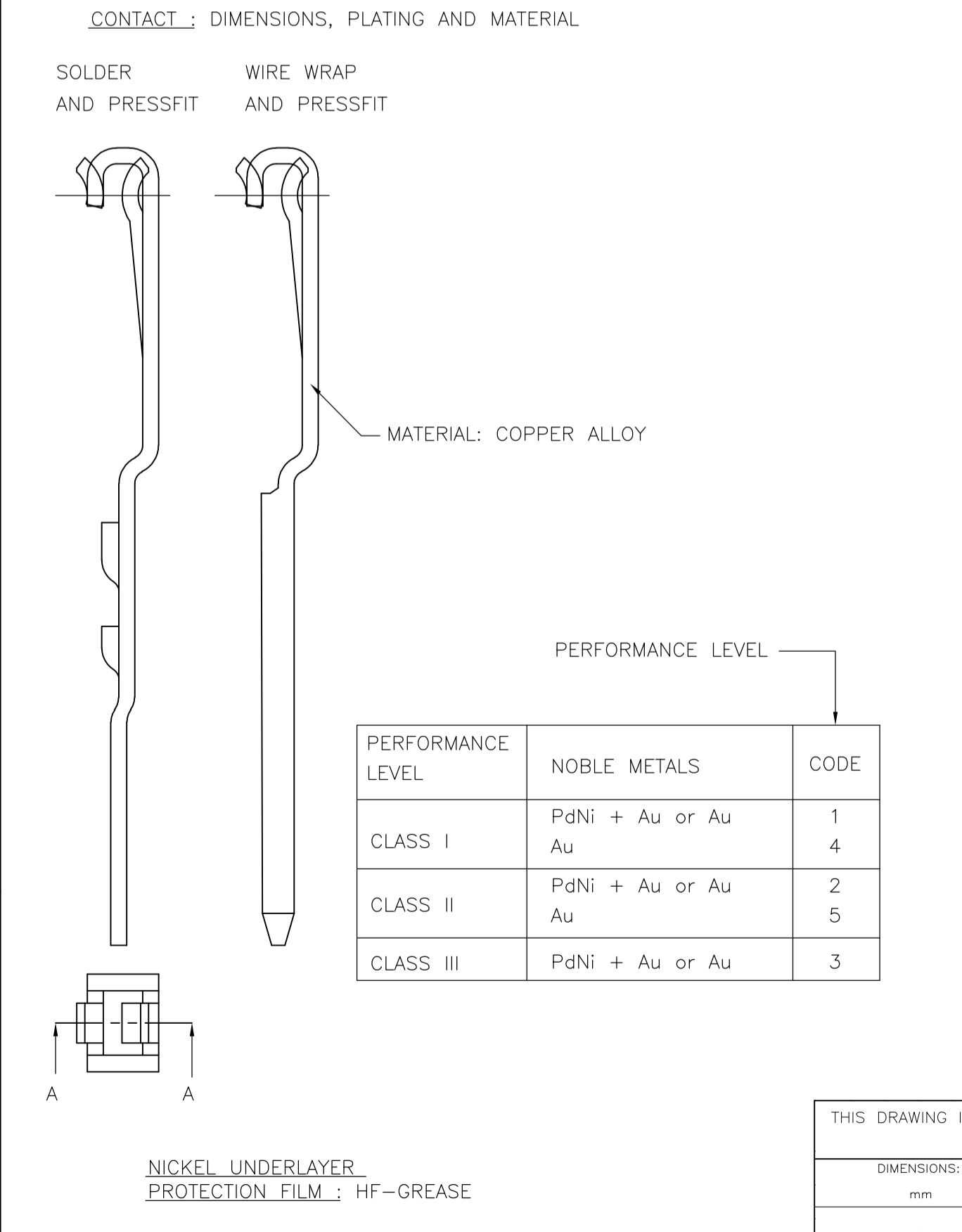
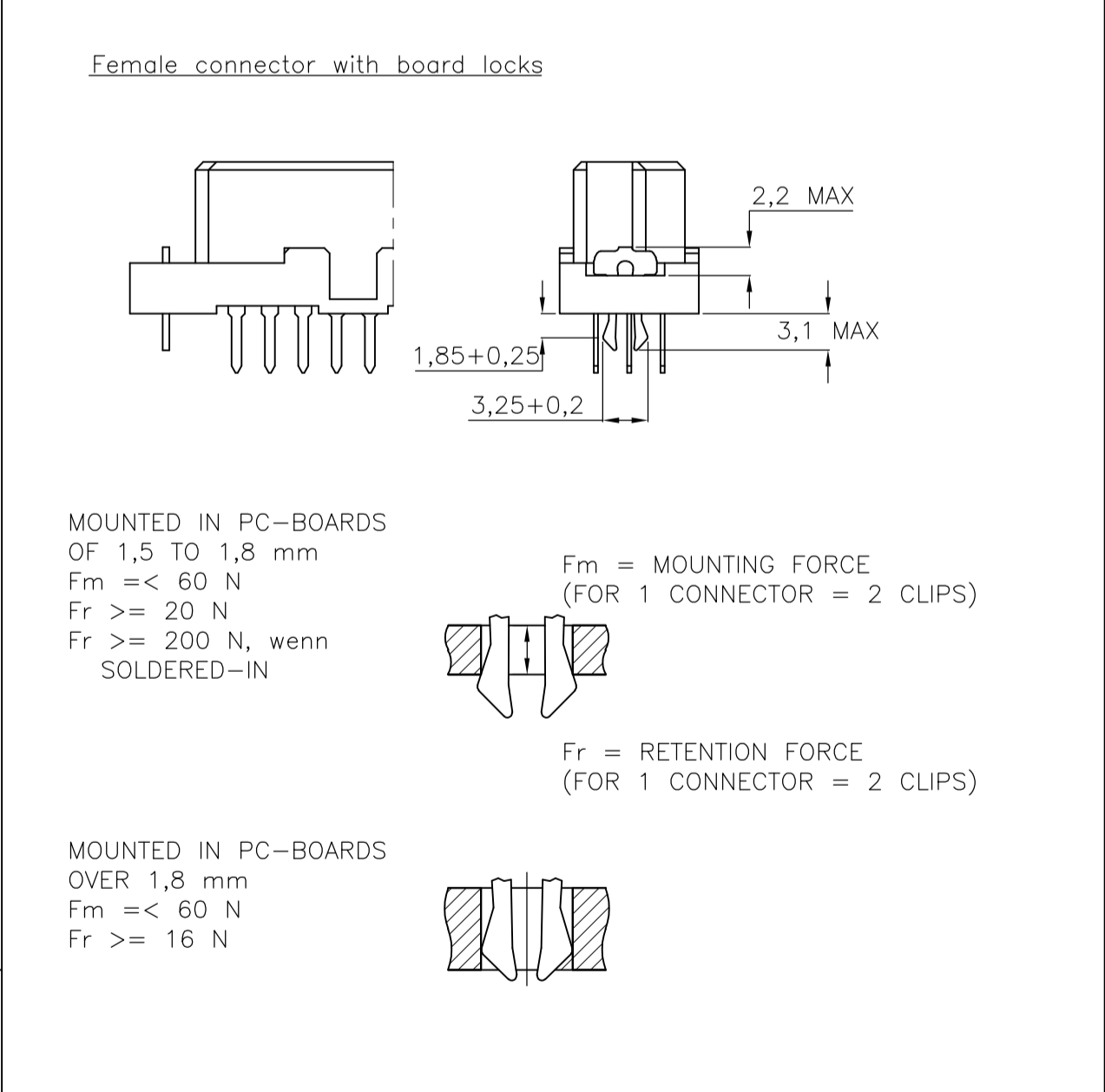


REVISONS		DATE	BY	APVD
F	LTR	DESCRIPTION		
B11	REV PER ECO-12-006572		14JAN2013	BC RP



TERMINATION STYLES	TERMINATION	L	CODE
	SOLDER	2,9±0,3 3,7±0,3 4,5±0,3 6±0,3	01 05 02 03
	WIRE WRAP	7,3±0,3	04
	WIRE WRAP	13±0,5	40
	SOLDER HOOKS	5,5±0,3 10±0,5	30
	SOLDER LUGS	5,5±0,3 10-0,5	35
	SOLDER RIGHT ANGLE	1,55-0,4	00
	SOLDER RIGHT ANGLE WITH MOUNTING BRACKET	3-0,4	10
	TERMINATION WITH SN	13±0,5 17±0,5 4±0,5 13±0,5 17±0,5 6±0,5 6±0,5	60 61 63 66 67 69 70



THIS DRAWING IS A CONTROLLED DOCUMENT.

DIMENSIONS: mm	TOLERANCES UNLESS OTHERWISE SPECIFIED:	DIN CUVIELIER 14FEB89	TE Connectivity
0 PLC ±	1 PLC ±	APVD	RECEPTACLE ASSEMBLY EUROCARD TYPES B,C AND SHORT VERSIONS (PN:V42254-B2***-C***-7626)
2 PLC ±	3 PLC ±	PRODUCT SPEC	SIZE A1
4 PLC ±	ANGLES ±	APPLICATION SPEC	CAGE CODE DRAWING NO 00779
MATERIAL	FINISH	WEIGHT	SCALE NTS
		CUSTOMER DRAWING	SHEET 1 OF 2

PRODUCT DESCRIPTION CODE	TE PN	STYLE & NUMBER OF POSITIONS	TERMINATION POSTS	LOADED ROWS	PERFORMANCE LEVEL	BOARD LOCKS
V42254-B2100-C960	1393640-1	C96	RIGHT-ANGLE SOLDER LEADS	EVERY ROW , EVERY PITCH	1	NO
V42254-B2101-B640	1393640-4	B64	2,9mm STRAIGHT SOLDER LEADS	EVERY ROW , EVERY PITCH	1	NO
V42254-B2101-B645	1393640-5	B64	2,9mm STRAIGHT SOLDER LEADS	EVERY ROW , EVERY EVEN PITCH	1	NO
V42254-B2101-C300	1393640-6	C30	2,9mm STRAIGHT SOLDER LEADS	EVERY ROW , EVERY PITCH	1	NO
V42254-B2101-C480	1393640-7	C48	2,9mm STRAIGHT SOLDER LEADS	EVERY ROW , EVERY PITCH	1	NO
V42254-B2101-C483	1393640-8	C48	2,9mm STRAIGHT SOLDER LEADS	ROW A+C , EVERY PITCH	1	NO
V42254-B2101-C910	3-1392009-9	C96	2,9mm STRAIGHT SOLDER LEADS	EVERY ROW , EVERY PITCH	1	YES
V42254-B2101-C960	1393640-9	C96	2,9mm STRAIGHT SOLDER LEADS	EVERY ROW , EVERY PITCH	1	NO
V42254-B2101-C963	1-1393640-0	C96	2,9mm STRAIGHT SOLDER LEADS	ROW A+C , EVERY PITCH	1	NO
V42254-B2101-C968	1-1393640-1	C96	2,9mm STRAIGHT SOLDER LEADS	ROW A+C , EVERY EVEN PITCH	1	NO
V42254-B2102-B200	1-1393640-5	B20	4,5mm STRAIGHT SOLDER LEADS	EVERY ROW , EVERY PITCH	1	NO
V42254-B2102-B320	1-1393640-6	B32	4,5mm STRAIGHT SOLDER LEADS	EVERY ROW , EVERY PITCH	1	NO
V42254-B2102-B640	1-1393640-7	B64	4,5mm STRAIGHT SOLDER LEADS	EVERY ROW , EVERY PITCH	1	NO
V42254-B2102-B641	1-1393640-8	B64	4,5mm STRAIGHT SOLDER LEADS	ROW A , EVERY PITCH	1	NO
V42254-B2102-C303	2-1393640-0	C30	4,5mm STRAIGHT SOLDER LEADS	ROW A+C , EVERY PITCH	1	NO
V42254-B2102-C480	2-1393640-1	C48	4,5mm STRAIGHT SOLDER LEADS	EVERY ROW , EVERY PITCH	1	NO
V42254-B2102-C910	2-1393640-3	C96	4,5mm STRAIGHT SOLDER LEADS	EVERY ROW , EVERY PITCH	1	YES
V42254-B2102-C960	2-1393640-4	C96	4,5mm STRAIGHT SOLDER LEADS	EVERY ROW , EVERY PITCH	1	NO
V42254-B2102-C963	2-1393640-5	C96	4,5mm STRAIGHT SOLDER LEADS	ROW A+C , EVERY PITCH	1	NO
V42254-B2102-C968	2-1393640-6	C96	4,5mm STRAIGHT SOLDER LEADS	ROW A+C , EVERY EVEN PITCH	1	NO
V42254-B2103-B640	3-1393640-3	B64	6,3mm STRAIGHT SOLDER LEADS	EVERY ROW , EVERY PITCH	1	NO
V42254-B2103-C960	3-1393640-4	C96	6,3mm STRAIGHT SOLDER LEADS	EVERY ROW , EVERY PITCH	1	NO
V42254-B2104-C960	3-1393640-5	C96	7,3mm STRAIGHT SOLDER LEADS	EVERY ROW , EVERY PITCH	1	NO
V42254-B2110-B640	3-1393640-7	B64	RIGHT-ANGLE SOLDER LEADS WITH MOUNTING BRACKET	EVERY ROW , EVERY PITCH	1	NO
V42254-B2110-C960	3-1393640-8	C96	RIGHT-ANGLE SOLDER LEADS WITH MOUNTING BRACKET	EVERY ROW , EVERY PITCH	1	NO
V42254-B2110-C960N	3-1393640-9	C96	RIGHT-ANGLE SOLDER LEADS WITH MOUNTING BRACKET	EVERY ROW , EVERY PITCH	1	NO
V42254-B2110-C963	4-1393640-0	C96	RIGHT-ANGLE SOLDER LEADS WITH MOUNTING BRACKET	ROW A+C , EVERY PITCH	1	NO
V42254-B2130-B641	4-1393640-6	B64	5,5 10mm SOLDER HOOKS	ROW A , EVERY PITCH	1	NO
V42254-B2135-B640	4-1393640-7	B64	5,5 10mm SOLDER LUGS	EVERY ROW , EVERY PITCH	1	NO
V42254-B2135-B641	4-1393640-8	B64	5,5 10mm SOLDER LUGS	ROW A , EVERY PITCH	1	NO
V42254-B2135-C960	5-1393640-0	C96	5,5 10mm SOLDER LUGS	EVERY ROW , EVERY PITCH	1	NO
V42254-B2135-C963	5-1393640-1	C96	5,5 10mm SOLDER LUGS	ROW A+C , EVERY PITCH	1	NO
V42254-B2140-B640	5-1393640-8	B64	13mm STRAIGHT WIRE-WRAP PINS	EVERY ROW , EVERY PITCH	1	NO
V42254-B2140-C960	6-1393640-0	C96	13mm STRAIGHT WIRE-WRAP PINS	EVERY ROW , EVERY PITCH	1	NO
V42254-B2140-C963	6-1393640-1	C96	13mm STRAIGHT WIRE-WRAP PINS	ROW A+C , EVERY PITCH	1	NO
V42254-B2200-C960	7-1393640-0	C96	RIGHT-ANGLE SOLDER LEADS	EVERY ROW , EVERY PITCH	2	NO
V42254-B2200-C963	7-1393640-1	C96	RIGHT-ANGLE SOLDER LEADS	ROW A+C , EVERY PITCH	2	NO
V42254-B2201-B200	7-1393640-2	B20	2,9mm STRAIGHT SOLDER LEADS	EVERY ROW , EVERY PITCH	2	NO
V42254-B2201-B310	7-1393640-3	B32	2,9mm STRAIGHT SOLDER LEADS	EVERY ROW , EVERY PITCH	2	YES
V42254-B2201-B320	7-1393640-4	B32	2,9mm STRAIGHT SOLDER LEADS	EVERY ROW , EVERY PITCH	2	NO
V42254-B2201-B325	7-1393640-5	B32	2,9mm STRAIGHT SOLDER LEADS	EVERY ROW , EVERY EVEN PITCH	2	NO
V42254-B2201-B640	7-1393640-8	B64	2,9mm STRAIGHT SOLDER LEADS	EVERY ROW , EVERY PITCH	2	NO
V42254-B2201-B641	7-1393640-9	B64	2,9mm STRAIGHT SOLDER LEADS	ROW A , EVERY PITCH	2	NO
V42254-B2201-C300	8-1393640-0	C30	2,9mm STRAIGHT SOLDER LEADS	EVERY ROW , EVERY PITCH	2	NO
V42254-B2201-C313	8-1393640-2	C30	2,9mm STRAIGHT SOLDER LEADS	ROW A+C , EVERY PITCH	2	YES
V42254-B2201-C410	8-1393640-3	C48	2,9mm STRAIGHT SOLDER LEADS	EVERY ROW , EVERY PITCH	2	YES
V42254-B2201-C413	8-1393640-4	C48	2,9mm STRAIGHT SOLDER LEADS	ROW A+C , EVERY PITCH	2	YES
V42254-B2201-C480	8-1393640-5	C48	2,9mm STRAIGHT SOLDER LEADS	EVERY ROW , EVERY PITCH	2	NO
V42254-B2201-C483	8-1393640-6	C48	2,9mm STRAIGHT SOLDER LEADS	ROW A+C , EVERY PITCH	2	NO
V42254-B2201-C485	8-1393640-7	C48	2,9mm STRAIGHT SOLDER LEADS	EVERY ROW , EVERY EVEN PITCH	2	NO
V42254-B2201-C488	8-1393640-8	C48	2,9mm STRAIGHT SOLDER LEADS	ROW A+C , EVERY EVEN PITCH	2	NO
V42254-B2201-C910	8-1393640-9	C96	2,9mm STRAIGHT SOLDER LEADS	EVERY ROW , EVERY PITCH	2	YES
V42254-B2201-C913	9-1393640-0	C96	2,9mm STRAIGHT SOLDER LEADS	ROW A+C , EVERY PITCH	2	YES
V42254-B2201-C960	9-1393640-2	C96	2,9mm STRAIGHT SOLDER LEADS	EVERY ROW , EVERY PITCH	2	NO
V42254-B2201-C963	9-1393640-3	C96	2,9mm STRAIGHT SOLDER LEADS	ROW A+C , EVERY PITCH	2	NO
V42254-B2201-C965	9-1393640-4	C96	2,9mm STRAIGHT SOLDER LEADS	EVERY ROW , EVERY EVEN PITCH	2	NO
V42254-B2201-C968	9-1393640-5	C96	2,9mm STRAIGHT SOLDER LEADS	ROW A+C , EVERY EVEN PITCH	2	NO
V42254-B2202-B200	1-1393641-0	B20	4,5mm STRAIGHT SOLDER LEADS	EVERY ROW , EVERY PITCH	2	NO
V42254-B2202-B320	1-1393641-1	B32	4,5mm STRAIGHT SOLDER LEADS	EVERY ROW , EVERY PITCH	2	NO
V42254-B2202-B321	1-1393641-2	B32	4,5mm STRAIGHT SOLDER LEADS	ROW A , EVERY PITCH	2	NO
V42254-B2202-B640	1-1393641-4	B64	4,5mm STRAIGHT SOLDER LEADS	EVERY ROW , EVERY PITCH	2	NO
V42254-B2202-B640N	1-1393641-5	B64	4,5mm STRAIGHT SOLDER LEADS	EVERY ROW , EVERY PITCH	2	NO
V42254-B2202-B641	1-1393641-6	B64	4,5mm STRAIGHT SOLDER LEADS	ROW A , EVERY PITCH	2	NO
V42254-B2202-B641N	1-1393641-7	B64	4,5mm STRAIGHT SOLDER LEADS	ROW A , EVERY PITCH	2	NO
V42254-B2202-B645	1-1393641-8	B64	4,5mm STRAIGHT SOLDER LEADS	EVERY ROW , EVERY EVEN PITCH	2	NO

3) ACCORDING TO BT 236 LEVEL 2.
 2) CONNECTORS HAVE A FLUX-TIGHT COATING.
 1) NO COMPANY NAME MARKED ON THE CONNECTOR.

ACTIVE PART NUMBERS.
 CONTACT TE FOR OTHER CONFIGURATION AVAILABILITY

THIS DRAWING IS A CONTROLLED DOCUMENT. DWN CUVIELLER 14FEB99

TE Connectivity

RECEPTACLE ASSEMBLY EUROCARD TYPES B,C AND SHORT VERSIONS (PN:V42254-B2***-C***-*-7626)

SIZE A1 CASE CODE 00779 DRAWING NO. 1393640-1 RESTRICTED TO

CUSTOMER DRAWING SCALE NTS SHEET 2 OF 2 REV B11



Компания «ЭлектроПласт» предлагает заключение долгосрочных отношений при поставках импортных электронных компонентов на взаимовыгодных условиях!

Наши преимущества:

- Оперативные поставки широкого спектра электронных компонентов отечественного и импортного производства напрямую от производителей и с крупнейших мировых складов;
- Поставка более 17-ти миллионов наименований электронных компонентов;
- Поставка сложных, дефицитных, либо снятых с производства позиций;
- Оперативные сроки поставки под заказ (от 5 рабочих дней);
- Экспресс доставка в любую точку России;
- Техническая поддержка проекта, помощь в подборе аналогов, поставка прототипов;
- Система менеджмента качества сертифицирована по Международному стандарту ISO 9001;
- Лицензия ФСБ на осуществление работ с использованием сведений, составляющих государственную тайну;
- Поставка специализированных компонентов (Xilinx, Altera, Analog Devices, Intersil, Interpoint, Microsemi, Aeroflex, Peregrine, Syfer, Eurofarad, Texas Instrument, Miteq, Cobham, E2V, MA-COM, Hittite, Mini-Circuits, General Dynamics и др.);

Помимо этого, одним из направлений компании «ЭлектроПласт» является направление «Источники питания». Мы предлагаем Вам помощь Конструкторского отдела:

- Подбор оптимального решения, техническое обоснование при выборе компонента;
- Подбор аналогов;
- Консультации по применению компонента;
- Поставка образцов и прототипов;
- Техническая поддержка проекта;
- Защита от снятия компонента с производства.



Как с нами связаться

Телефон: 8 (812) 309 58 32 (многоканальный)

Факс: 8 (812) 320-02-42

Электронная почта: org@eplast1.ru

Адрес: 198099, г. Санкт-Петербург, ул. Калинина, дом 2, корпус 4, литера А.