

# SPECIFICATION CONTROL DRAWING

**82A0811**

|       |   |      |         |          |   |
|-------|---|------|---------|----------|---|
| TITLE | WIRE, RADIATION-CROSSLINKED, MODIFIED FLEXIBLE ETFE-INSULATED, NORMAL WEIGHT, GENERAL PURPOSE, 600 VOLT | Date | 11-5-13 | Revision | F |
|-------|---|------|---------|----------|---|

This specification sheet forms a part of the latest issue of Raychem Specification 80.

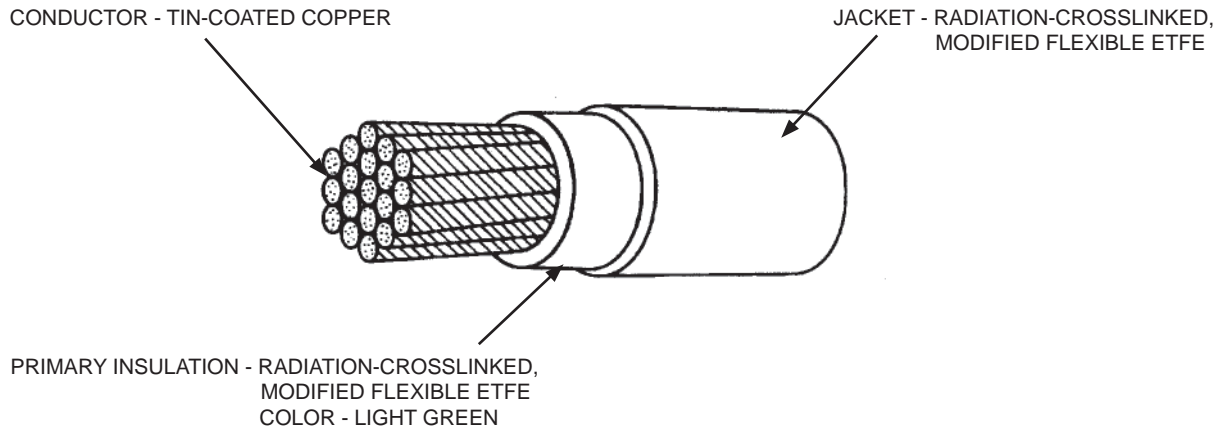



TABLE I. CONSTRUCTION DETAILS

| PART NUMBER<br>1/ | WIRE SIZE<br>(AWG) | CONDUCTOR STRANDING<br>(number x AWG) | DIAMETER OF STRANDED CONDUCTOR<br>(inch) |         | FINISHED WIRE                                    |                    |                                  |
|-------------------|--------------------|---------------------------------------|--|---------|--|--------------------|----------------------------------|
|                   |                    |                                       | MINIMUM                                  | MAXIMUM | MAXIMUM RESISTANCE<br>AT 20°C<br>(ohms/1000 ft.) | DIAMETER<br>(inch) | MAXIMUM WEIGHT<br>(lbs/1000 ft.) |
|                   |                    |                                       |  |         |  |                    |                                  |
| 82A0811-24-*      | 24                 | 105 x 44                              | .023                                     | .027    | 28.2   | .044 ± .003        | 2.5                              |
| 82A0811-22-*      | 22                 | 154 x 44                              | .029                                     | .033    | 19.2   | .054 ± .003        | 3.7                              |
| 82A0811-20-*      | 20                 | 154 x 42                              | .037                                     | .043    | 11.7   | .064 ± .004        | 5.2                              |
| 82A0811-18-*      | 18                 | 259 x 42                              | .047                                     | .053    | 7.14   | .076 ± .004        | 8.0                              |
| 82A0811-16-*      | 16                 | 259 x 40                              | .061                                     | .067    | 4.53   | .092 ± .005        | 11.9                             |
| 82A0811-14-*      | 14                 | 665 x 42                              | .078                                     | .086    | 2.96   | .116 ± .005        | 19.3                             |
| 82A0811-12-*      | 12                 | 665 x 40                              | .096                                     | .106    | 1.89   | .137 ± .006        | 27.9                             |
| 82A0811-10-*      | 10                 | 665 x 38                              | .126                                     | .140    | 1.12   | .187 ± .008        | 50.0                             |
| 82A0811-8-*       | 8                  | 665 x 36                              | .157                                     | .173    | .714   | .230 ± .008        | 77.3                             |
| 82A0811-6-*       | 6                  | 1045 x 36                             | .192                                     | .208    | .490   | .277 ± .010        | 118.                             |
| 82A0811-4-*       | 4                  | 1665 x 36                             | .265                                     | .285    | .326   | .359 ± .010        | 189.                             |
| 82A0811-2-*       | 2                  | 1665 x 34                             | .325                                     | .345    | .204   | .433 ± .016        | 282.                             |
| 82A0811-1-*       | 1                  | 2109 x 34                             | .370                                     | .400    | .163   | .488 ± .016        | 348.                             |
| 82A0811-0-*       | 0                  | 2660 x 34                             | .435                                     | .465    | .133   | .558 ± .016        | 442.                             |
| 82A0811-00-*      | 00                 | 3325 x 34                             | .485                                     | .515    | .102   | .612 ± .016        | 544.                             |
| 82A0811-000-*     | 000                | 4123 x 34                             | .540                                     | .575    | .087   | .678 ± .016        | 668.                             |
| 82A0811-0000-*    | 0000               | 5320 x 34                             | .615                                     | .655    | .066   | .771 ± .022        | 863.                             |

Users should evaluate the suitability of this product for their application. Specifications are subject to change without notice. Tyco Electronics Corporation also reserves the right to make changes in materials or processing, which do not affect compliance with any specification, without notification to Buyer.

1/ COLORS AND COLOR CODE DESIGNATORS SHALL BE IN ACCORDANCE WITH MIL-STD-681. OTHER CODES AND SUFFIXES MAY BE ADDED TO THE PART NUMBER, AS NECESSARY, TO CAPTURE ANY ADDITIONAL REQUIREMENTS IMPOSED BY THE PURCHASE ORDER.

|             |   |   |   |
|-------------|---|---|---|
| Page 1 of 2 | Raychem, TE Connectivity, TE connectivity (logo), and TE (logo) are trademarks.   |  | Raychem Wire & Cable<br>501 Oakside Avenue<br>Redwood City, CA 94063-3800<br>Phone: 1-800-227-8816<br>Fax: 1-650-361-6297 |
|             | DIMENSIONS ARE IN INCHES AND, UNLESS OTHERWISE DESIGNATED, ARE NOMINAL.   |   |   |
|             | THIS SPECIFICATION SHEET TAKES PRECEDENCE OVER DOCUMENTS REFERENCED HEREIN. REFERENCED DOCUMENTS SHALL BE OF THE ISSUE IN EFFECT ON DATE OF INVITATION FOR BID. |   |   |



# SPECIFICATION CONTROL DRAWING

**82A0811**

Page

2 of 2

Revision

F

TABLE II. PERFORMANCE DETAILS

| PART NUMBER<br>1/ | BEND TESTING                      |                         |
|-------------------|-----------------------------------|-------------------------|
|                   | MANDREL DIAMETER<br>(inch) (± 3%) | WEIGHT<br>(lbs) (± 3%)  |
|                   | CROSSLINKING PROOF TEST           | CROSSLINKING PROOF TEST |
| 82A0811-24-*      | .500                              | .750                    |
| 82A0811-22-*      | .500                              | 1.00                    |
| 82A0811-20-*      | .500                              | 1.50                    |
| 82A0811-18-*      | .750                              | 2.00                    |
| 82A0811-16-*      | 1.00                              | 2.00                    |
| 82A0811-14-*      | 1.00                              | 3.00                    |
| 82A0811-12-*      | 1.50                              | 3.00                    |
| 82A0811-10-*      | 2.00                              | 3.00                    |
| 82A0811-8-*       | 3.00                              | 4.00                    |
| 82A0811-6-*       | 4.00                              | 4.00                    |
| 82A0811-4-*       | 5.00                              | 4.00                    |
| 82A0811-2-*       | 6.00                              | 6.00                    |
| 82A0811-1-*       | 8.00                              | 6.00                    |
| 82A0811-0-*       | 8.00                              | 6.00                    |
| 82A0811-00-*      | 10.0                              | 8.00                    |
| 82A0811-000-*     | 10.0                              | 8.00                    |
| 82A0811-0000-*    | 10.0                              | 8.00                    |

## WIRE RATINGS AND ADDITIONAL REQUIREMENTS

TEMPERATURE RATING: 150°C

Maximum continuous conductor temperature

VOLTAGE RATING: 600 volts (rms) at sea level

CONCENTRICITY: 70% (minimum)

CROSSLINKING PROOF TEST: 300 ± 3°C for 7 hours

IDENTIFICATION AND COLOR STRIPING DURABILITY:

125 cycles (250 strokes) (minimum), 500 g weight

INSULATION ELONGATION AND TENSILE STRENGTH:

AWG 24-10: Elongation, 75% (minimum)

Tensile Strength, 3500 lbf/in<sup>2</sup> (minimum)

AWG 8-0000: Elongation, 125% (minimum)

Tensile Strength, 3000 lbf/in<sup>2</sup> (minimum)

INSULATION FLAWS:

Primary Insulation,

Spark Test, 1.5 kV (rms) at 3 kHz

Impulse Dielectric Test, 6.0 kV (peak)

Finished Wire,

Spark Test, 3.0 kV (rms) at 3 kHz

Impulse Dielectric Test, 8.0 kV (peak)

INSULATION THICKNESS:

AWG 24-18: .004 in. (minimum) for primary insulation

.004 in. (minimum) for outer jacket

AWG 16-10: .005 in. (minimum) for primary insulation

.005 in. (minimum) for outer jacket

AWG 8-4: .008 in. (minimum) for primary insulation

.012 in. (minimum) for outer jacket

AWG 2-0000: .010 in. (minimum) for primary insulation

.015 in. (minimum) for outer jacket

JACKET COLOR: White preferred

SECANT MODULUS (Test per ASTM D 882):

AWG 24-10: 5.0 x 10<sup>4</sup> lbf/in<sup>2</sup> (maximum)

AWG 8-0000: 4.0 x 10<sup>4</sup> lbf/in<sup>2</sup> (maximum)

2% strain, 2 inch jaw separation, 0.2 inch/minute

SHRINKAGE: 150 ± 3°C for 6 hours,

AWG 24-10: 0.13 in. (maximum) in 12 inches

AWG 8-0000: 0.25 in. (maximum) in 12 inches

VOLTAGE WITHSTAND (Post Environmental): 2500 volts (rms), 60 Hz

1/ PART NUMBER:

The “\*” in the part numbers on pages 1 and 2 shall be replaced by a color code designator.

Example: AWG 12, white: 82A0811-12-9

AWG 12, white with a black stripe: 82A0811-12-90

1/ See footer section on page 1



Компания «ЭлектроПласт» предлагает заключение долгосрочных отношений при поставках импортных электронных компонентов на взаимовыгодных условиях!

Наши преимущества:

- Оперативные поставки широкого спектра электронных компонентов отечественного и импортного производства напрямую от производителей и с крупнейших мировых складов;
- Поставка более 17-ти миллионов наименований электронных компонентов;
- Поставка сложных, дефицитных, либо снятых с производства позиций;
- Оперативные сроки поставки под заказ (от 5 рабочих дней);
- Экспресс доставка в любую точку России;
- Техническая поддержка проекта, помощь в подборе аналогов, поставка прототипов;
- Система менеджмента качества сертифицирована по Международному стандарту ISO 9001;
- Лицензия ФСБ на осуществление работ с использованием сведений, составляющих государственную тайну;
- Поставка специализированных компонентов (Xilinx, Altera, Analog Devices, Intersil, Interpoint, Microsemi, Aeroflex, Peregrine, Syfer, Eurofarad, Texas Instrument, Miteq, Cobham, E2V, MA-COM, Hittite, Mini-Circuits, General Dynamics и др.);

Помимо этого, одним из направлений компании «ЭлектроПласт» является направление «Источники питания». Мы предлагаем Вам помощь Конструкторского отдела:

- Подбор оптимального решения, техническое обоснование при выборе компонента;
- Подбор аналогов;
- Консультации по применению компонента;
- Поставка образцов и прототипов;
- Техническая поддержка проекта;
- Защита от снятия компонента с производства.



#### Как с нами связаться

**Телефон:** 8 (812) 309 58 32 (многоканальный)

**Факс:** 8 (812) 320-02-42

**Электронная почта:** [org@eplast1.ru](mailto:org@eplast1.ru)

**Адрес:** 198099, г. Санкт-Петербург, ул. Калинина, дом 2, корпус 4, литера А.