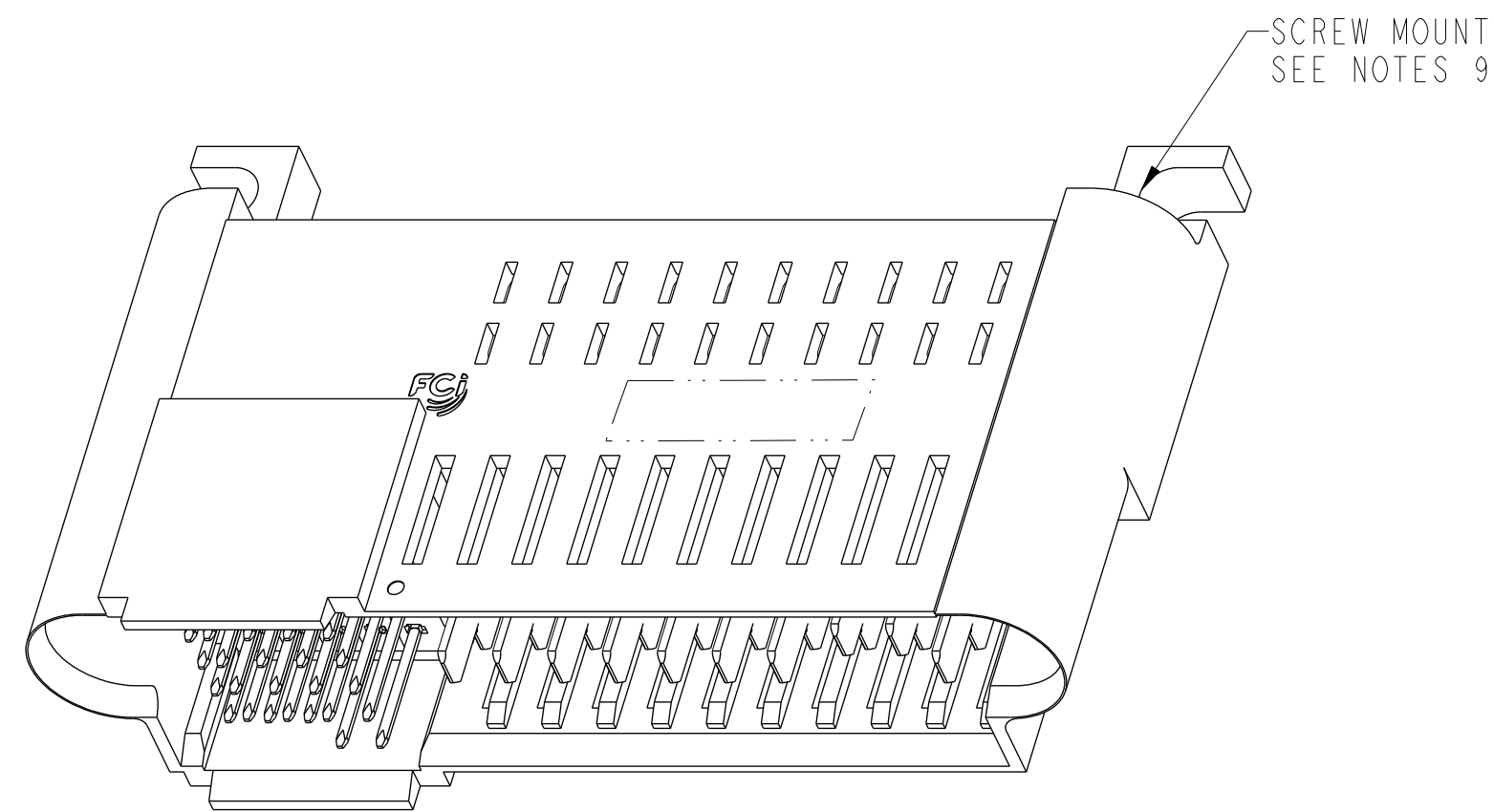


**25Sx10P CONFIGURATION SHOWN
HOLD DOWN TYPE**



**25Sx10P CONFIGURATION SHOWN
SCREW MOUNT TYPE**

NOTES:

1. HOUSING MATERIAL: GF LCP, COLOR: BLACK, UL 94 V-0 RATED
SIGNAL CONTACT MATERIAL: PHOSPHOR BRONZE
SIGNAL PIN OVERMOLD MATERIAL: GF POLYESTER
POWER CONTACT MATERIAL: COPPER ALLOY
2. PLATING ON SIGNAL CONTACTS: 1.27µm MIN Ni UNDERPLATING ALL OVER WITH 0.76µm MIN GXT IN CONTACT MATING AREA, AND 0.5µm MIN MATTE TIN ON TAIL AREA.

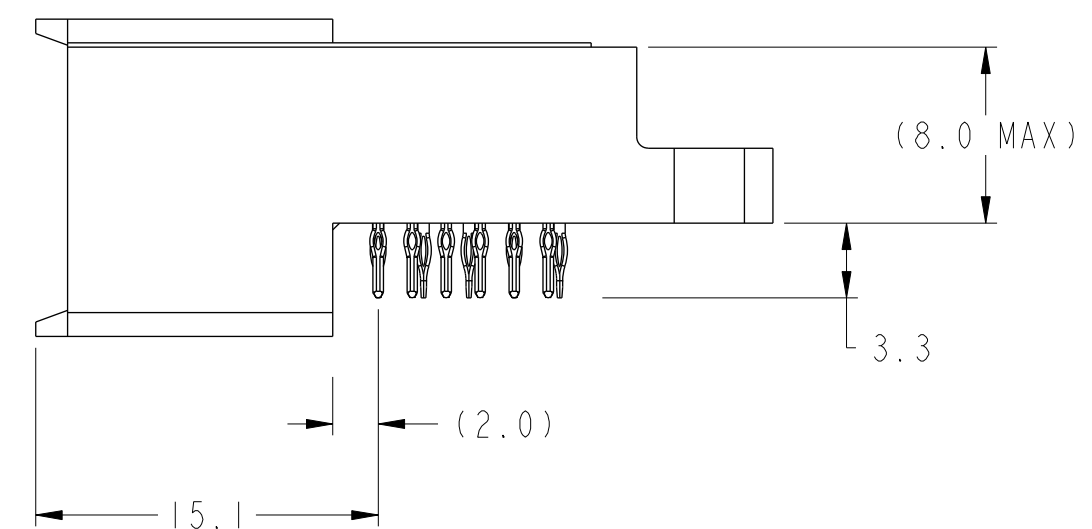
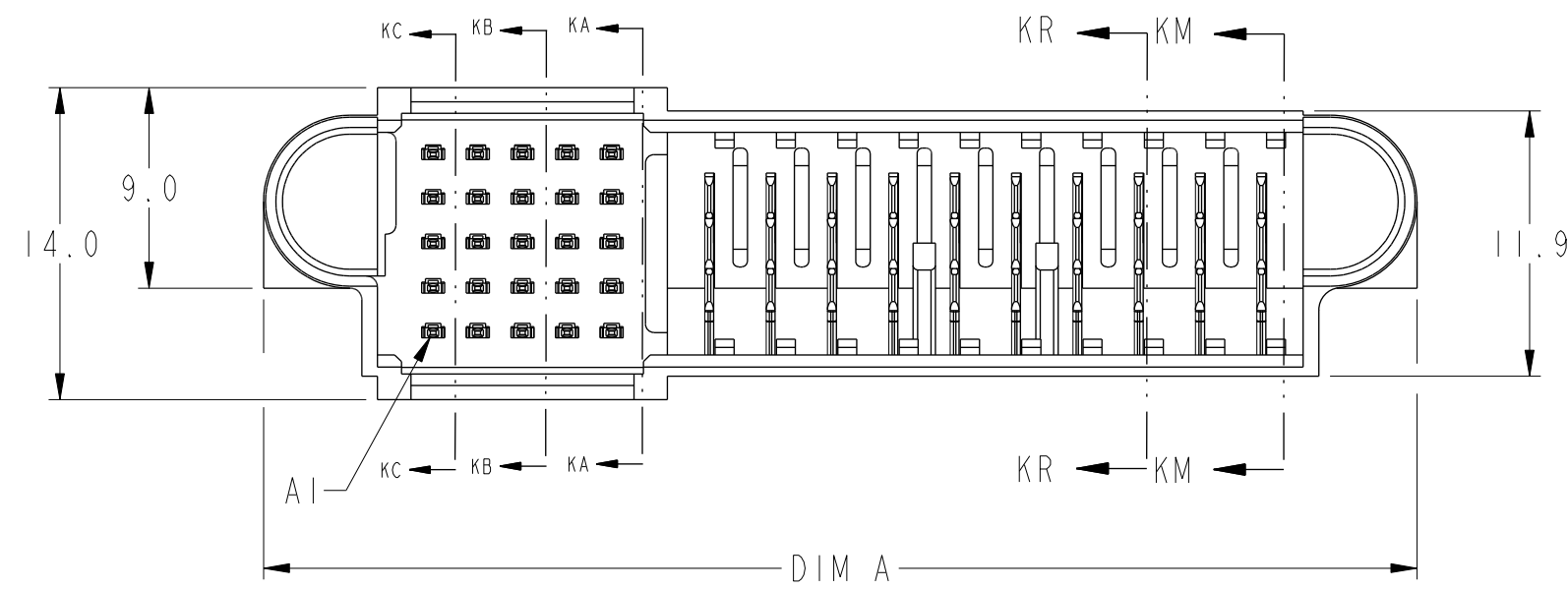
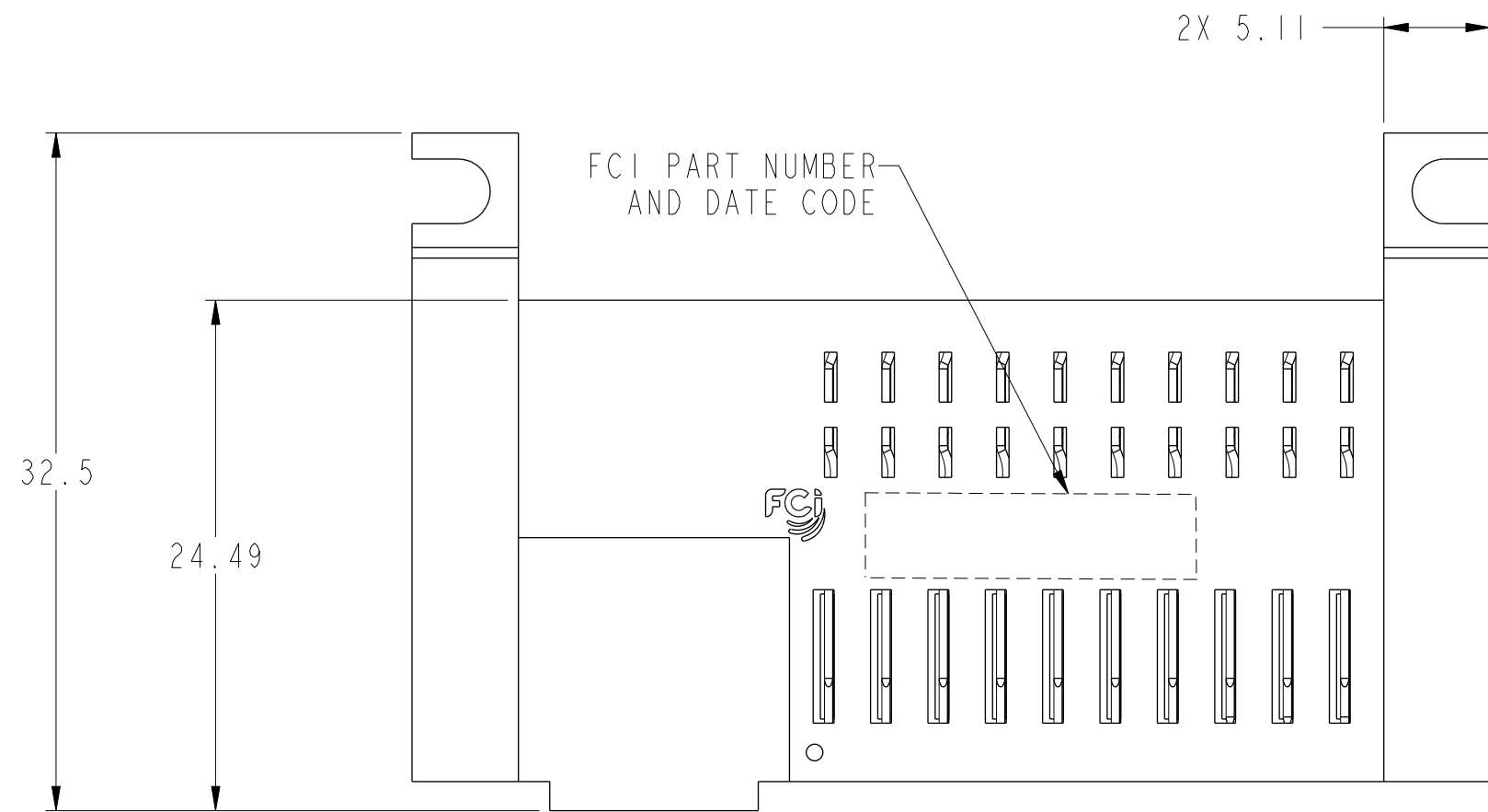
PLATING ON POWER CONTACTS: 1.27µm MIN Ni UNDERPLATING ALL OVER WITH 0.76µm MIN GXT IN CONTACT MATING AREA, AND 0.5µm MIN MATTE TIN ON TAIL AREA.

PLATING ON HOLD DOWN IF APPLICABLE: 1.27µm MIN Ni, UNDERPLATING ALL OVER WITH 0.76µm MIN MATTE TIN OVER.
3. LUBRICATION: LUBRICATE ON CONTACT AREA.
4. RECOMMENDED PCB THICKNESS IS:
FOR PRESS FIT APPLICATION: 1.4mm MIN
FOR SOLDER APPLICATION: 1.40mm THROUGH 2.62mm.
5. FOR SCREW MOUNT APPLICATIONS, A #4-40 UNC PAN SCREW WITH HEX NUT IS RECOMMENDED (SUPPLIED BY CUSTOMER).
6. FOR PRESS FIT $\varnothing 0.61 \pm 0.05\text{mm}$, FOR SOLDER $\varnothing 0.90 \pm 0.05\text{mm}$.
7. UNPLATED HOLES.
8. HOLD DOWN APPLICATION NEEDED.
9. SCREW MOUNT APPLICATION NEEDED.
10. PRODUCT SPECIFICATION: GS-12-1064
APPLICATION SPECIFICATION: GS-20-0362



Copyright FCI.

spec ref	SEE NOTE	dr	Fancy Zhang	2015/05/12	projection	MM	size	A2	scale	3:1	
tolerance std	TOLERANCES UNLESS OTHERWISE SPECIFIED	eng	Fancy Zhang	2015/05/27			ecn no	-	rel level	Released	
ASME Y14.5		chr	-	2015/05/27							
-		appr	Pei-Ming Zheng	2015/05/27							
surface	linear	0.X	±0.30		product family PwrLoPro	title PWR LoPro HEADER ASSEMBLY RA, PASSIVE GUIDE,S+P	no 10135322	rev A	cat. no. -	Product - Customer Drw	sheet 1 of 10
ASME Y14.5	0.XX	±0.20									
	0.XXX	±0.10									
	angular	0°	±2°								



SCREW MOUNT TYPE AS SHOWN

spec ref	SEE NOTE	dr	Fancy Zhang	2015/05/12	projection	MM	size	A2	scale	3:1											
tolerance std	TOLERANCES UNLESS OTHERWISE SPECIFIED	eng	Fancy Zhang	2015/05/27			ecn no	-	rel level	Released											
ASME Y14.5		chr	-	app							Pei-Ming Zheng	2015/05/27	product family	PwrLoPro							
surface	<table border="1"> <tr> <td>linear</td> <td>0.X</td> <td>±0.30</td> </tr> <tr> <td></td> <td>0.XX</td> <td>±0.20</td> </tr> <tr> <td></td> <td>0.XXX</td> <td>±0.10</td> </tr> <tr> <td>angular</td> <td>0°</td> <td>±2°</td> </tr> </table>	linear	0.X	±0.30		0.XX	±0.20		0.XXX	±0.10	angular	0°	±2°			PWR LoPro HEADER ASSEMBLY RA, PASSIVE GUIDE, S+P		cat. no.	-	Product - Customer Drw	sheet 2 of 10
linear	0.X	±0.30																			
	0.XX	±0.20																			
	0.XXX	±0.10																			
angular	0°	±2°																			
ASME Y14.5		www.fci.com			no	10135322	rev	A													

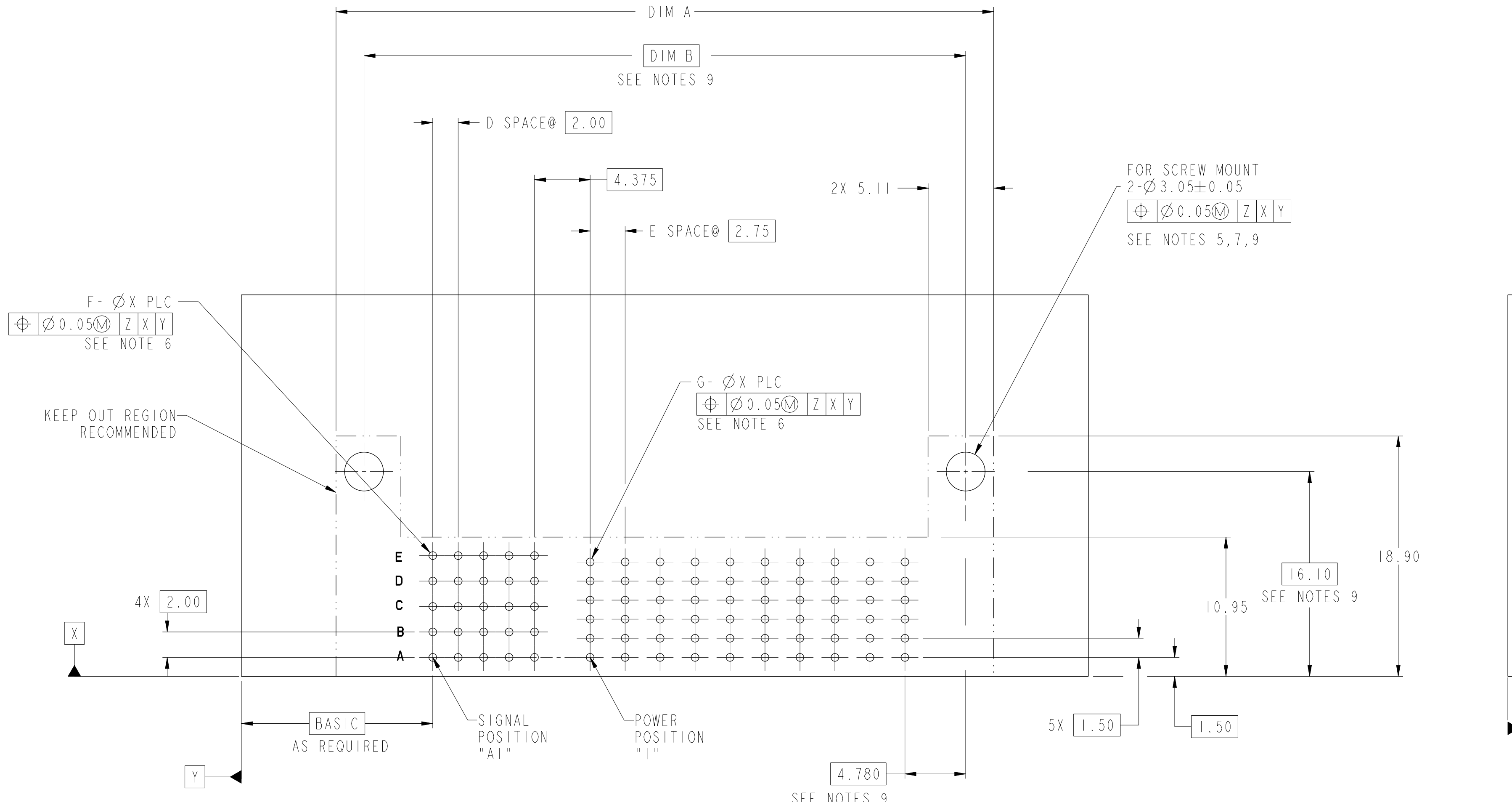
PDS: Rev :A

STATUS:Released

Printed: Jun 23, 2015



Copyright FCI.

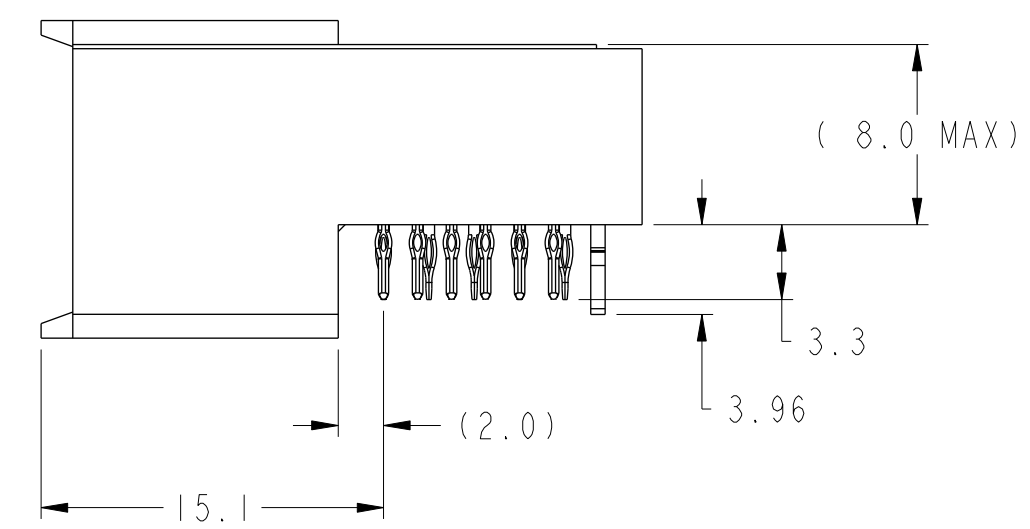
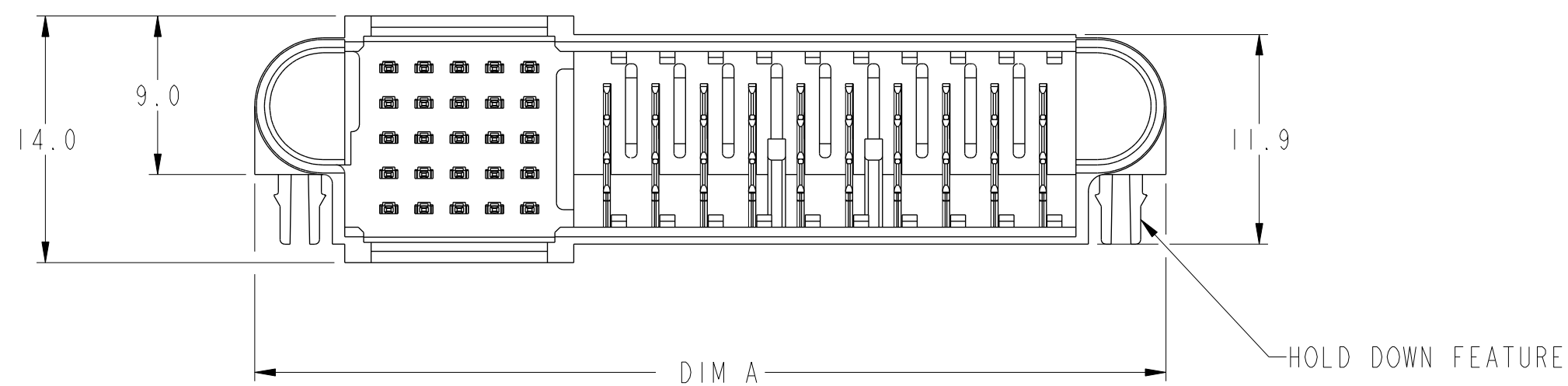
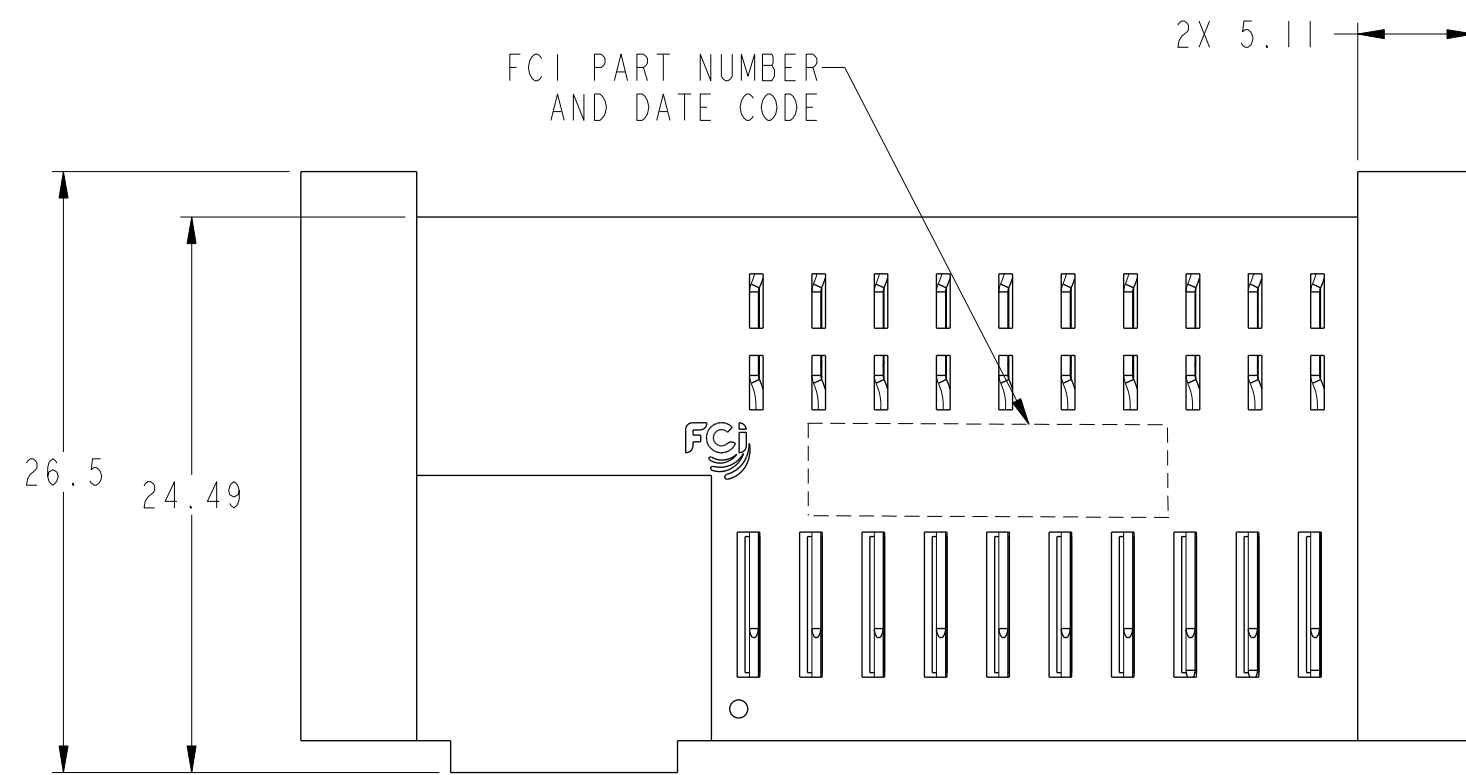


**RECOMMENDED PRINTED CIRCUIT BOARD LAYOUT SEE NOTE 4
FOR 10135322-XXXLF SCREW MOUNT TYPE
(AS VIEWED FROM COMPONENT SIDE)**

spec ref	SEE NOTE	dr	Fancy Zhang	2015/05/12	projection	MM	size	A2	scale	5:1
tolerance std	ASME Y14.5	eng	Fancy Zhang	2015/05/27			ecn no	-	rel level	Released
surface	ASME Y14.5	chr	-	apppr			Pei-Ming Zheng	2015/05/27	product family	PwrLoPro
linear	0.X ±0.30 0.XX ±0.20 0.XXX ±0.10	angular	0° ±2°			TITLE PWR LoPro HEADER ASSEMBLY RA, PASSIVE GUIDE,S+P	cat. no. 10135322	rev A	Product - Customer Drw sheet 3 of 10	



Copyright FCI.



HOLD DOWN TYPE AS SHOWN

spec ref	SEE NOTE	dr	Fancy Zhang	2015/05/12	projection	MM	size	A2	scale	1:1	
tolerance std	ASME Y14.5	eng	Fancy Zhang	2015/05/27			ecn no	-	rel level	Released	
	TOLERANCES UNLESS OTHERWISE SPECIFIED	chr	-	app							Pei-Ming Zheng
surface	✓	linear	0.X	±0.30			title	PWR LoPro HEADER ASSEMBLY		rev	A
			0.XX	±0.20	www.fci.com		cat. no.	-		Product - Customer Drw	sheet 4 of 10
		angular	0°	±2°			diag no	10135322			

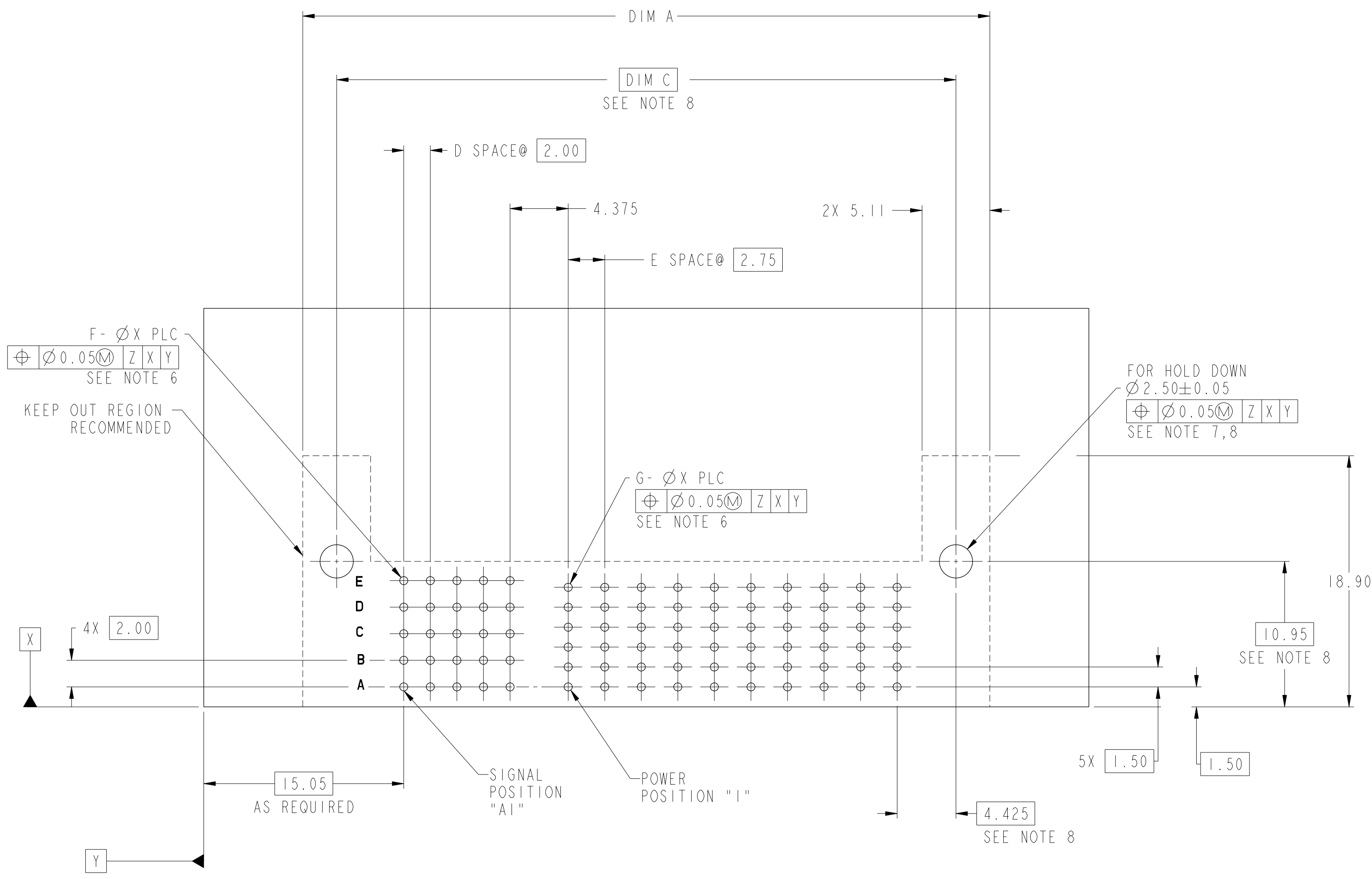
PDS: Rev :A

STATUS:Released

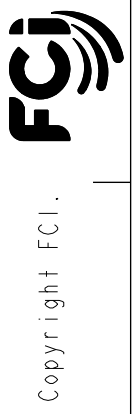
Printed: Jun 23, 2015



Copyright FCI.

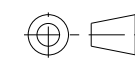
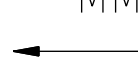



RECOMMENDED PRINTED CIRCUIT BOARD LAYOUT SEE NOTE 4
FOR 10135322-XXXLF HOLD DOWN TYPE
 (AS VIEWED FROM COMPONENT SIDE)



spec ref	SEE NOTE	dr	Fancy Zhang	2015/05/12	projection	MM	size	A2	scale	1:1
tolerance std	TOLERANCES UNLESS OTHERWISE SPECIFIED	eng	Fancy Zhang	2015/05/27			ecn no	-	rel level	Released
ASME Y14.5		chr	-	2015/05/27						
surface	linear	appr	Pei-Ming Zheng	2015/05/27	product family	PwrLoPro	rel level	Released	title	PWR LoPro HEADER ASSEMBLY
ASME Y14.5	angular	0°	±2°	0.X ±0.30	0.XX ±0.20	0.XXX ±0.10	cat. no.	-	Product - Customer Drw	sheet 5 of 10

PART NUMBER	CONFIGURATION	DIM "A"	DIM "B" FOR SCREW MOUNT	DIM "C" FOR HOLD DOWN	"D" SPACES	"E" SPACES	"F" QTY.	"G" QTY.	MOUNTING FEATURE
10135322-001LF	35S+18P	77.71	-	72.60	6	17	35	108	HOLD DOWN
10135322-002LF	25S+10P	51.71	47.31	-	4	9	25	60	SCREW MOUNT
10135322-003LF	25S+10P	51.71	-	46.6	4	9	25	60	HOLD DOWN
10135322-004LF	25S+8P	46.21	-	41.1	4	7	25	48	HOLD DOWN
10135322-005LF	25S+10P	51.71	-	46.6	4	9	25	60	HOLD DOWN
10135322-006LF	25S+8P	46.21	-	41.1	4	7	25	48	HOLD DOWN
10135322-007LF	25S+10P	51.71	47.31	-	4	9	25	60	SCREW MOUNT
10135322-008LF	15S+2P	25.71	-	15.1	2	1	15	12	HOLD DOWN
10135322-009LF	25S+10P	51.71	-	46.6	4	9	25	60	HOLD DOWN
10135322-010LF	35S+20P	83.21	-	78.1	6	19	35	120	HOLD DOWN
10135322-011LF	25S+2P	29.71	-	24.6	4	1	25	12	HOLD DOWN

spec ref	SEE NOTE	dr	Fancy Zhang	20150512	projection	MM	size	A2	scale	1:1												
tolerance std	ASME Y14.5	eng	Fancy Zhang	20150527			ecn no	-	rel level		Released											
		chr	-	product family			PwrLoPro															
surface	ASME Y14.5	appr	Pei-Ming Zheng	20150527			title	PWR LoPro HEADER ASSEMBLY		rev	A											
					<table border="1"> <tr> <td>linear</td> <td>0.X</td> <td>±0.30</td> </tr> <tr> <td></td> <td>0.XX</td> <td>±0.20</td> </tr> <tr> <td></td> <td>0.XXX</td> <td>±0.10</td> </tr> <tr> <td>angular</td> <td>0°</td> <td>±2°</td> </tr> </table>	linear	0.X	±0.30		0.XX	±0.20		0.XXX	±0.10	angular	0°	±2°	www.fci.com	cat. no.	-	Product - Customer Drw	sheet 6 of 10
linear	0.X	±0.30																				
	0.XX	±0.20																				
	0.XXX	±0.10																				
angular	0°	±2°																				

Copyright FCI. FCI

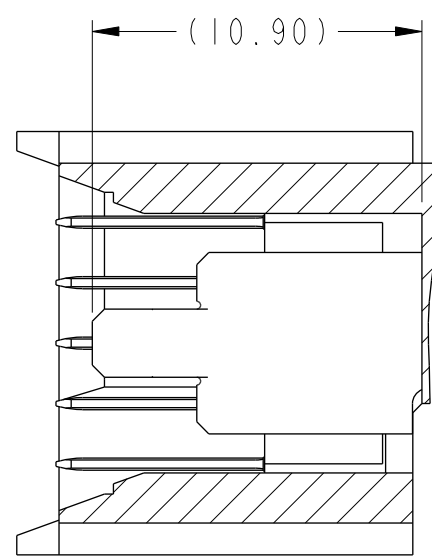
CUSTOMER LOADING WORKSHEET FOR SIGNAL & POWER SEQUENCING LEVELS

PWR LO PRO - MATING FACE OF HEADER CONNECTOR(4)

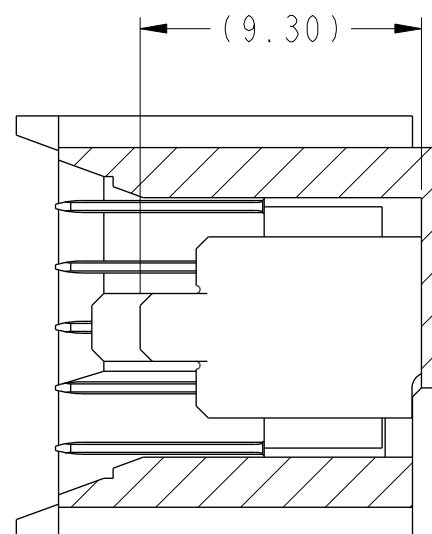
E																																		
D																																		
C																																		
B																																		
A																																		
ROWS	MOUNTING FEATURE(3)	1	2	3	4	5	6	7	8	1	2	3	4	5	6	7	8	9	10	11	12	13	14	15	16	17	18	19	20	21	22	23	24	MOUNTING FEATURE(3)
		SIGNAL CONTACTS(2)								POWER CONTACTS(1)																								

- 1). LOAD WITH CHOICE OF 2 POWER CONTACT MATING LEVELS, SEE SECTIONS KM & KR FOR AVAILABLE LEVEL OPTIONS.
- 2). LOAD WITH CHOICE OF 3 SIGNAL CONTACT MATING LEVELS, SEE SECTIONS KA,KB,&KC FOR AVAILABLE LEVEL OPTIONS.
- 3). MOUNTING FEATURE OPTION "X"
 - H : HOLD DOWN TYPE
 - S : SCREW MOUNT TYPE
- 4). CUSTOMER LOADING WORKSHEET SHOWN AT MAXMUM SIZE CONFIGURATION (40Sx24P), SIGNALS AVAILABLE IN 2,3,4 THRU 8 POSITIONS, POWERS AVAILABLE IN 4,6,8 THRU 24 POSITIONS IN EVEN QUANTITIES ONLY.

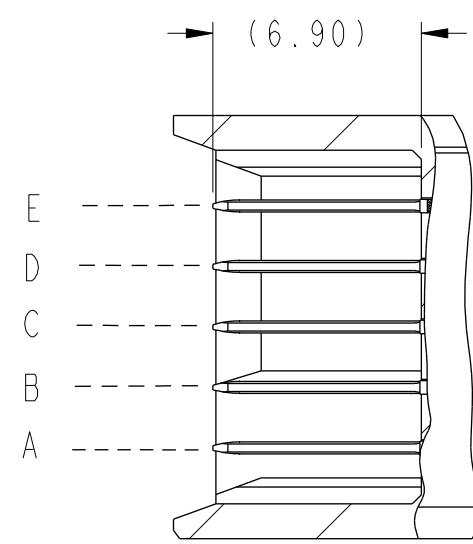
CODE	DESCRIPTION
1	FOR LEVEL 1
2	FOR LEVEL 2
32222	FOR LEVEL 32222 (MIXED)
3	FOR LEVEL 3



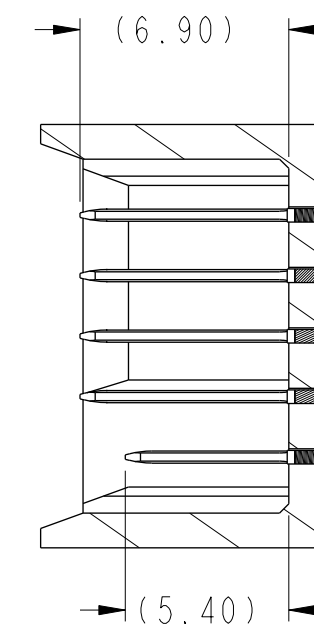
POWER SECTION KM-KM
LEVEL 1:
LONGEST MATING CONTACTS



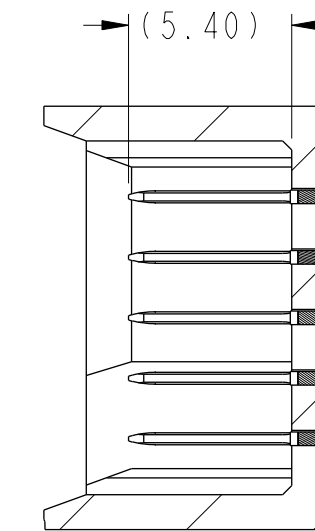
POWER SECTION KR-KR
LEVEL 2:
SHORTEST MATING CONTACTS



SIGNAL SECTION KA-KA
LEVEL 2:
ALL LONGEST CONTACTS



SIGNAL SECTION KB-KB
LEVEL 32222 (MIXED):
ROW "A", SHORTEST CONTACT
ROW "B" THRU "E", LONGEST CONTACTS



SIGNAL SECTION KC-KC
LEVEL 3:
ALL SHORTEST CONTACTS

spec ref	SEE NOTE	dr	Fancy Zhang	2015/05/12	projection	MM	size	A2	scale	1:1
tolerance std	ASME Y14.5	eng	Fancy Zhang	2015/05/27			ecn no	-	rel level	Released
surface	ASME Y14.5	chr	-	appr						
linear	0.X ±0.30 0.XX ±0.20 0.XXX ±0.10			title PWR LoPro HEADER ASSEMBLY RA, PASSIVE GUIDE,S+P		cat. no.	10135322	rev	A	
angular	0° ±2°	www.fci.com		Product - Customer Drw		sheet 7 of 10				

PART NUMBER	ROWS	SIGNALS							POWERS																
		1	2	3	4	5	6	7	1	2	3	4	5	6	7	8	9	10	11	12	13	14	15	16	17
10135322-001LF 35S + 18P	E	H	3	3	3	3	3	3	2	2	2	-	-	-	-	-	-	2	2	2	2	2	2	2	2
	D																								
	C																								
	B																								
	A																								

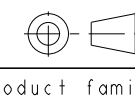
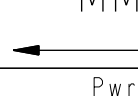

PART NUMBER	ROWS	SIGNALS					POWERS																	
		1	2	3	4	5	1	2	3	4	5	6	7	8	9	10								
10135322-002LF 25S + 10P	E	S	2	2	32222	2	2	2	2	2	2	2	2	2	2	2	2	2	2	2	2	2	2	2
	D																							
	C																							
	B																							
	A																							

PART NUMBER	ROWS	SIGNALS					POWERS																	
		1	2	3	4	5	1	2	3	4	5	6	7	8	9	10								
10135322-003LF 25S + 10P	E	H	2	2	32222	2	2	2	2	2	2	2	2	2	2	2	2	2	2	2	2	2	2	2
	D																							
	C																							
	B																							
	A																							

PART NUMBER	ROWS	SIGNALS					POWERS								
		1	2	3	4	5	1	2	3	4	5	6	7	8	
10135322-004LF 25S + 8P	E	H	2	2	32222	2	2	-	-	-	-	2	2	2	2
	D														
	C														
	B														
	A														

PART NUMBER	ROWS	SIGNALS					POWERS																	
		1	2	3	4	5	1	2	3	4	5	6	7	8	9	10								
10135322-005LF 25S + 10P	E	H	2	2	2	2	3	2	2	2	2	2	2	2	2	2	2	2	2	2	2	2	2	2
	D																							
	C																							
	B																							
	A																							

VIEWED FROM MATING FACE:

spec ref	SEE NOTE	dr	Fancy Zhang	201505/12	projection	MM	size	A2	scale	1:1																
tolerance std	ASME Y14.5	eng	Fancy Zhang	201505/27			ecn no	-	rel level	Released																
	TOLERANCES UNLESS OTHERWISE SPECIFIED	chr	-	product family			PwrLoPro																			
surface	<table border="1"> <tr><td>linear</td><td>0.X</td><td>±0.30</td></tr> <tr><td></td><td>0.XX</td><td>±0.20</td></tr> <tr><td></td><td>0.XXX</td><td>±0.10</td></tr> <tr><td>angular</td><td>0°</td><td>±2°</td></tr> </table>	linear	0.X	±0.30		0.XX	±0.20		0.XXX	±0.10	angular	0°	±2°	appr	Pei-Ming Zheng	201505/27		<table border="1"> <tr><td>title</td><td>PWR LoPro HEADER ASSEMBLY</td><td>rev</td><td>A</td></tr> <tr><td>RA, PASSIVE GUIDE,S+P</td><td></td><td>cat. no.</td><td>10135322</td></tr> </table>	title	PWR LoPro HEADER ASSEMBLY	rev	A	RA, PASSIVE GUIDE,S+P		cat. no.	10135322
linear	0.X	±0.30																								
	0.XX	±0.20																								
	0.XXX	±0.10																								
angular	0°	±2°																								
title	PWR LoPro HEADER ASSEMBLY	rev	A																							
RA, PASSIVE GUIDE,S+P		cat. no.	10135322																							
ASME Y14.5		www.fci.com			Product - Customer Drw	sheet 8 of 10																				



Copyright FCI.

PART NUMBER	ROWS	SIGNALS					POWERS															
		1	2	3	4	5	1	2	3	4	5	6	7	8								
10135322-006LF 25S + 8P	E	H	32222	2	2	2	2	2	2	2	2	2	2	2	-	-	2	2	2	2	2	-
	D																					
	C																					
	B																					
	A																					

PART NUMBER	ROWS	SIGNALS					POWERS															
		1	2	3	4	5	1	2	3	4	5	6	7	8	9	10						
10135322-007LF 25S + 10P	E	S	2	2	2	2	3	2	2	2	2	2	2	2	2	2	2	2	2	2	2	2
	D																					
	C																					
	B																					
	A																					

PART NUMBER	ROWS	SIGNALS			POWERS		
		1	2	3	1	2	
10135322-008LF 15S + 2P	E	H	32222	2	2	-	2
	D						
	C						
	B						
	A						

PART NUMBER	ROWS	SIGNALS					POWERS														
		1	2	3	4	5	1	2	3	4	5	6	7	8	9	10					
10135322-009LF 25S + 10P	E	H	2	2	3	2	2	2	2	2	2	2	2	2	2	2	2	2	2	2	2
	D																				
	C																				
	B																				
	A																				



Copyright FCI.

spec ref	SEE NOTE	dr	Fancy Zhang	2015/05/12	projection	MM	size	A2	scale	1:1																							
tolerance std	TOLERANCES UNLESS OTHERWISE SPECIFIED	eng	Fancy Zhang	2015/05/27			ecn no	-	rel level	Released																							
ASME Y14.5		chr	-	2015/05/27							product family	PwrLoPro																					
-		appr	Pei-Ming Zheng	2015/05/27							rel level	Released																					
surface	<table border="1"> <tr><td>linear</td><td>0.X</td><td>±0.30</td></tr> <tr><td></td><td>0.XX</td><td>±0.20</td></tr> <tr><td></td><td>0.XXX</td><td>±0.10</td></tr> <tr><td>ASME Y14.5</td><td>angular</td><td>0°</td><td>±2°</td></tr> </table>	linear	0.X	±0.30		0.XX	±0.20		0.XXX	±0.10	ASME Y14.5	angular	0°	±2°		<table border="1"> <tr><td>title</td><td>PWR LoPro HEADER ASSEMBLY</td><td>eng no</td><td>10135322</td><td>rev</td><td>A</td></tr> <tr><td>RA, PASSIVE GUIDE,S+P</td><td></td><td></td><td></td><td></td><td></td></tr> </table>	title	PWR LoPro HEADER ASSEMBLY	eng no	10135322	rev	A	RA, PASSIVE GUIDE,S+P						<table border="1"> <tr><td>cat. no.</td><td>-</td><td>Product - Customer Drw</td><td>sheet 9 of 10</td></tr> </table>	cat. no.	-	Product - Customer Drw	sheet 9 of 10
linear	0.X	±0.30																															
	0.XX	±0.20																															
	0.XXX	±0.10																															
ASME Y14.5	angular	0°	±2°																														
title	PWR LoPro HEADER ASSEMBLY	eng no	10135322	rev	A																												
RA, PASSIVE GUIDE,S+P																																	
cat. no.	-	Product - Customer Drw	sheet 9 of 10																														

PDS: Rev :A

STATUS:Released

Printed: Jun 23, 2015

PART NUMBER	ROWS	SIGNALS							POWERS																			
		1	2	3	4	5	6	7	1	2	3	4	5	6	7	8	9	10	11	12	13	14	15	16	17	18	19	20
10135322-010LF 35S + 20P	E		3	3	3	3	3	3	3	2	2	2	-	-	-	-	-	-	-	-	2	2	2	2	2	2	2	2
	D																											
	C																											
	B																											
	A																											

PART NUMBER	ROWS	SIGNALS					POWERS		
		1	2	3	4	5	1	2	
10135322-011LF 25S + 2P	E		2	32222	2	32222	2	-	2
	D								
	C								
	B								
	A								

spec ref	SEE NOTE	dr	Fancy Zhang	2015/05/12	projection		MM	size	A2	scale	1:1
tolerance std	ASME Y14.5	eng	Fancy Zhang	2015/05/27	chr	-	ecn no	-	rel level	Released	
surface	ASME Y14.5	appr	Pei-Ming Zheng	2015/05/27	product family	PwrLoPro	rel level	Released			
		linear	0.X	±0.30	0.XX	±0.20	0.XXX	±0.10	angular	0°	±2°
				www.fci.com		title		PWR LoPro HEADER ASSEMBLY		RA, PASSIVE GUIDE,S+P	
				cat. no.		-		Product - Customer Drw		sheet 10 of 10	



Copyright FCI.



Компания «ЭлектроПласт» предлагает заключение долгосрочных отношений при поставках импортных электронных компонентов на взаимовыгодных условиях!

Наши преимущества:

- Оперативные поставки широкого спектра электронных компонентов отечественного и импортного производства напрямую от производителей и с крупнейших мировых складов;
- Поставка более 17-ти миллионов наименований электронных компонентов;
- Поставка сложных, дефицитных, либо снятых с производства позиций;
- Оперативные сроки поставки под заказ (от 5 рабочих дней);
- Экспресс доставка в любую точку России;
- Техническая поддержка проекта, помощь в подборе аналогов, поставка прототипов;
- Система менеджмента качества сертифицирована по Международному стандарту ISO 9001;
- Лицензия ФСБ на осуществление работ с использованием сведений, составляющих государственную тайну;
- Поставка специализированных компонентов (Xilinx, Altera, Analog Devices, Intersil, Interpoint, Microsemi, Aeroflex, Peregrine, Syfer, Eurofarad, Texas Instrument, Miteq, Cobham, E2V, MA-COM, Hittite, Mini-Circuits, General Dynamics и др.);

Помимо этого, одним из направлений компании «ЭлектроПласт» является направление «Источники питания». Мы предлагаем Вам помощь Конструкторского отдела:

- Подбор оптимального решения, техническое обоснование при выборе компонента;
- Подбор аналогов;
- Консультации по применению компонента;
- Поставка образцов и прототипов;
- Техническая поддержка проекта;
- Защита от снятия компонента с производства.



Как с нами связаться

Телефон: 8 (812) 309 58 32 (многоканальный)

Факс: 8 (812) 320-02-42

Электронная почта: org@eplast1.ru

Адрес: 198099, г. Санкт-Петербург, ул. Калинина, дом 2, корпус 4, литера А.