



# **MCP1650 SEPIC Demo Board User's Guide**

---

---

**Note the following details of the code protection feature on Microchip devices:**

- Microchip products meet the specification contained in their particular Microchip Data Sheet.
- Microchip believes that its family of products is one of the most secure families of its kind on the market today, when used in the intended manner and under normal conditions.
- There are dishonest and possibly illegal methods used to breach the code protection feature. All of these methods, to our knowledge, require using the Microchip products in a manner outside the operating specifications contained in Microchip's Data Sheets. Most likely, the person doing so is engaged in theft of intellectual property.
- Microchip is willing to work with the customer who is concerned about the integrity of their code.
- Neither Microchip nor any other semiconductor manufacturer can guarantee the security of their code. Code protection does not mean that we are guaranteeing the product as "unbreakable."

Code protection is constantly evolving. We at Microchip are committed to continuously improving the code protection features of our products. Attempts to break Microchip's code protection feature may be a violation of the Digital Millennium Copyright Act. If such acts allow unauthorized access to your software or other copyrighted work, you may have a right to sue for relief under that Act.

---

Information contained in this publication regarding device applications and the like is provided only for your convenience and may be superseded by updates. It is your responsibility to ensure that your application meets with your specifications. MICROCHIP MAKES NO REPRESENTATIONS OR WARRANTIES OF ANY KIND WHETHER EXPRESS OR IMPLIED, WRITTEN OR ORAL, STATUTORY OR OTHERWISE, RELATED TO THE INFORMATION, INCLUDING BUT NOT LIMITED TO ITS CONDITION, QUALITY, PERFORMANCE, MERCHANTABILITY OR FITNESS FOR PURPOSE. Microchip disclaims all liability arising from this information and its use. Use of Microchip's products as critical components in life support systems is not authorized except with express written approval by Microchip. No licenses are conveyed, implicitly or otherwise, under any Microchip intellectual property rights.

**Trademarks**

The Microchip name and logo, the Microchip logo, Accuron, dsPIC, KEELOQ, microID, MPLAB, PIC, PICmicro, PICSTART, PRO MATE, PowerSmart, rfPIC, and SmartShunt are registered trademarks of Microchip Technology Incorporated in the U.S.A. and other countries.

AmpLab, FilterLab, Migratable Memory, MXDEV, MXLAB, PICMASTER, SEEVAL, SmartSensor and The Embedded Control Solutions Company are registered trademarks of Microchip Technology Incorporated in the U.S.A.

Analog-for-the-Digital Age, Application Maestro, dsPICDEM, dsPICDEM.net, dsPICworks, ECAN, ECONOMONITOR, FanSense, FlexROM, fuzzyLAB, In-Circuit Serial Programming, ICSP, ICEPIC, Linear Active Thermistor, MPASM, MPLIB, MPLINK, MPSIM, PICKit, PICDEM, PICDEM.net, PICLAB, PICtail, PowerCal, PowerInfo, PowerMate, PowerTool, rLAB, rfPICDEM, Select Mode, Smart Serial, SmartTel, Total Endurance and WiperLock are trademarks of Microchip Technology Incorporated in the U.S.A. and other countries.

SQTP is a service mark of Microchip Technology Incorporated in the U.S.A.

All other trademarks mentioned herein are property of their respective companies.

© 2005, Microchip Technology Incorporated, Printed in the U.S.A., All Rights Reserved.

 Printed on recycled paper.

**QUALITY MANAGEMENT SYSTEM  
CERTIFIED BY DNV  
== ISO/TS 16949:2002 ==**

*Microchip received ISO/TS-16949:2002 quality system certification for its worldwide headquarters, design and wafer fabrication facilities in Chandler and Tempe, Arizona and Mountain View, California in October 2003. The Company's quality system processes and procedures are for its PICmicro® 8-bit MCUs, KEELOQ® code hopping devices, Serial EEPROMs, microperipherals, nonvolatile memory and analog products. In addition, Microchip's quality system for the design and manufacture of development systems is ISO 9001:2000 certified.*



# MCP1650 SEPIC DEMO BOARD USER'S GUIDE

---

---

## Table of Contents

---

---

<b>Preface</b> .....	<b>1</b>
<b>Chapter 1. Product Overview</b> .....	<b>5</b>
1.1 Introduction .....	5
1.2 What is the MCP1650 SEPIC Demo Board? .....	5
1.3 What the MCP1650 SEPIC Demo Board Kit Includes .....	5
<b>Chapter 2. Installation and Operation</b> .....	<b>7</b>
2.1 Introduction .....	7
2.2 Features .....	7
2.3 Getting Started .....	8
<b>Appendix A. Schematic and Layout</b> .....	<b>11</b>
A.1 Introduction .....	11
A.2 Board Schematic .....	12
A.3 Board – Top Overlay .....	13
A.4 Board – Top Layer .....	14
A.5 Board – Bottom Layer .....	15
<b>Appendix B. Bill Of Materials (BOM)</b> .....	<b>17</b>
<b>Worldwide Sales and Service</b> .....	<b>18</b>

# MCP1650 SEPIC Demo Board User's Guide

---

---

NOTES:

---

---

## Preface

---

---

### NOTICE TO CUSTOMERS

All documentation becomes dated, and this manual is no exception. Microchip tools and documentation are constantly evolving to meet customer needs, so some actual dialogs and/or tool descriptions may differ from those in this document. Please refer to our web site ([www.microchip.com](http://www.microchip.com)) to obtain the latest documentation available.

Documents are identified with a “DS” number. This number is located on the bottom of each page, in front of the page number. The numbering convention for the DS number is “DSXXXXA”, where “XXXX” is the document number and “A” is the revision level of the document.

## INTRODUCTION

This chapter contains general information that will be useful to know before using the MCP1650 SEPIC Demo Board. Items discussed in this chapter include:

- Document Layout
- Conventions Used in this Guide
- Recommended Reading
- The Microchip Web Site
- Customer Support
- Document Revision History

## DOCUMENT LAYOUT

This document describes how to use the MCP1650 SEPIC Demo Board. The manual layout is as follows:

- **Chapter 1. “Product Overview”** – Important information about the MCP1650 SEPIC Demo Board.
- **Chapter 2. “Installation and Operation”** – Includes a description of the evaluation board, as well as instructions on how to get started.
- **Appendix A. “Schematic and Layout”** – Shows the schematic and layout diagrams for the MCP1650 SEPIC Demo Board.
- **Appendix B. “Bill Of Materials (BOM)”** – Lists the parts used to build the MCP1650 SEPIC Demo Board.

# MCP1650 SEPIC Demo Board User's Guide

## CONVENTIONS USED IN THIS GUIDE

This manual uses the following documentation conventions:

### DOCUMENTATION CONVENTIONS

Description	Represents	Examples
<b>Arial font:</b>		
Italic characters	Referenced books	<i>MPLAB<sup>®</sup> IDE User's Guide</i>
	Emphasized text	...is the <i>only</i> compiler...
Initial caps	A window	the Output window
	A dialog	the Settings dialog
	A menu selection	select Enable Programmer
Quotes	A field name in a window or dialog	"Save project before build"
Underlined, italic text with right angle bracket	A menu path	<u><i>File&gt;Save</i></u>
Bold characters	A dialog button	Click <b>OK</b>
	A tab	Click the <b>Power</b> tab
Text in angle brackets < >	A key on the keyboard	Press <Enter>, <F1>
<b>Courier New font:</b>		
Plain Courier New	Sample source code	#define START
	Filenames	autoexec.bat
	File paths	c:\mcc18\h
	Keywords	_asm, _endasm, static
	Command-line options	-Opa+, -Opa-
	Bit values	0, 1
	Constants	0xFF, 'A'
Italic Courier New	A variable argument	<i>file.o</i> , where <i>file</i> can be any valid filename
Square brackets [ ]	Optional arguments	mcc18 [options] <i>file</i> [options]
Curly brackets and pipe character: {   }	Choice of mutually exclusive arguments; an OR selection	errorlevel {0 1}
Ellipses...	Replaces repeated text	var_name [, var_name...]
	Represents code supplied by user	void main (void) { ... }

## RECOMMENDED READING

This user's guide describes how to use the MCP1650 SEPIC Demo Board. The following Microchip documents are available and recommended as supplemental reference resources.

### **MCP1650/51/52/53 Data Sheet, "750 kHz Boost Controller" (DS21876)**

This data sheet provides detailed information regarding the MCP1650/51/52/53 family of boost controllers.

## THE MICROCHIP WEB SITE

Microchip provides online support via our web site at [www.microchip.com](http://www.microchip.com). This web site is used as a means to make files and information easily available to customers. Accessible by using your favorite Internet browser, the web site contains the following information:

- **Product Support** – Data sheets and errata, application notes and sample programs, design resources, user's guides and hardware support documents, latest software releases and archived software
- **General Technical Support** – Frequently Asked Questions (FAQs), technical support requests, online discussion groups, Microchip consultant program member listing
- **Business of Microchip** – Product selector and ordering guides, latest Microchip press releases, listing of seminars and events, listings of Microchip sales offices, distributors and factory representatives

## CUSTOMER SUPPORT

Users of Microchip products can receive assistance through several channels:

- Distributor or Representative
- Local Sales Office
- Field Application Engineer (FAE)
- Technical Support
- Development Systems Information Line

Customers should contact their distributor, representative or field application engineer (FAE) for support. Local sales offices are also available to help customers. A listing of sales offices and locations is included in the back of this document.

Technical support is available through the web site at: <http://support.microchip.com>

## DOCUMENT REVISION HISTORY

### Revision A (September 2005)

- Initial Release of this Document.

# MCP1650 SEPIC Demo Board User's Guide

---

---

NOTES:



## Chapter 1. Product Overview

### 1.1 INTRODUCTION

The MCP1650 SEPIC Demo Board is used to evaluate Microchip's MCP1650 boost controller in a low-power application that requires a regulated output voltage from an input voltage that can be greater than, less than or equal to the output voltage. As provided, the MCP1650 SEPIC Demo Board generates a 5.0V output from a 3V to 7V source.

This chapter covers the following topics:

- What is the MCP1650 SEPIC Demo Board?
- What the MCP1650 SEPIC Demo Board Kit Includes.

### 1.2 WHAT IS THE MCP1650 SEPIC DEMO BOARD?

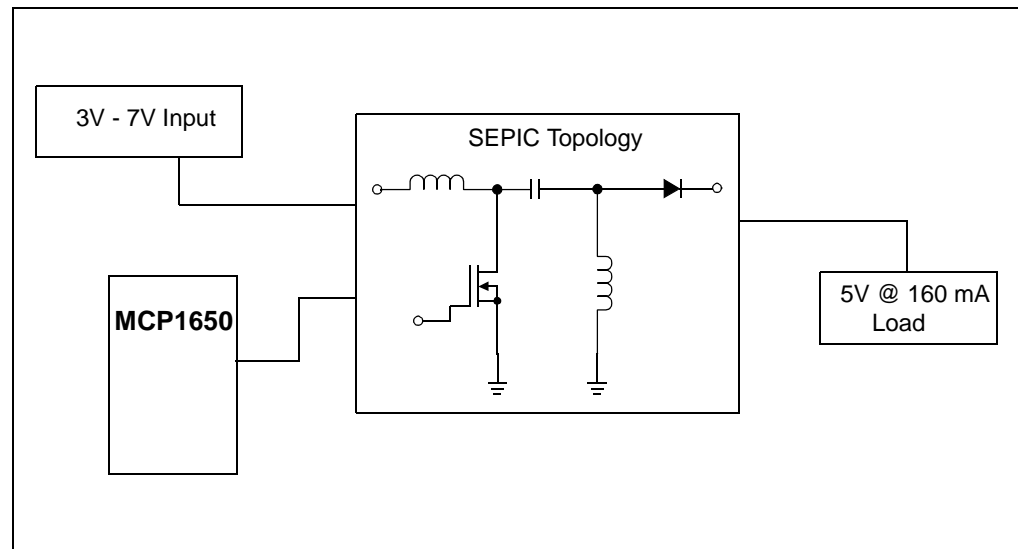
The MCP1650 SEPIC Demo Board is a complete, step-up or step-down, Switch mode, DC-DC power converter. The MCP1650 SEPIC Demo Board generates a regulated 5.0V output at load currents up to 160 mA. The SEPIC topology has the ability to step-up or step-down the input voltage. The input voltage range for the MCP1650 SEPIC Demo Board is from 3.0V to 7.0V.

Test points are provided for input power, output load and shutdown control.

### 1.3 WHAT THE MCP1650 SEPIC DEMO BOARD KIT INCLUDES

This MCP1650 SEPIC Demo Board kit includes:

- The MCP1650 SEPIC Demo Board (102-00079)
- The MCP1650 SEPIC Demo Board User's Guide (DS51581)
- MCP1650/51/52/53 Data Sheet, "750 kHz Boost Controller" (DS21876)



**FIGURE 1-1:** MCP1650 SEPIC Demo Board Block Diagram.

# MCP1650 SEPIC Demo Board User's Guide

---

---

NOTES:

---

---

## Chapter 2. Installation and Operation

---

---

### 2.1 INTRODUCTION

The MCP1650 SEPIC Demo Board demonstrates Microchip's MCP1650 750 kHz Boost Controller in an application that requires a regulated output voltage from a source that is greater than, less than or equal to the regulated output voltage. The MCP1650 is a gated oscillator boost controller developed for high-power, portable applications. By driving an external MOSFET, the MCP1650 controller can deliver 5 watts of power to the load. The high switching frequency minimizes the size of the external inductor and capacitor, saving both board space and cost.

The Single-Ended Primary Inductance Converter (SEPIC) topology utilized on this board has the ability to produce a regulated output from a wide-ranging source. Some advantages of the SEPIC topology versus other topologies are the low-ripple input current, the ability to step-up or step-down the input voltage without inverting the output voltage, no required transformer and the output is capacitively isolated from the input to protect against switch failure.

### 2.2 FEATURES

The MCP1650 SEPIC Demo Board has the following features:

- Wide input voltage range: 3.0V to 7.0V
- Regulated 5.0V output voltage
- Maximum output current: 160 mA
- Complete low-profile, space-saving power supply
- Test point to apply external Enable signal

# MCP1650 SEPIC Demo Board User's Guide

## 2.3 GETTING STARTED

The MCP1650 SEPIC Demo Board is fully assembled and tested for generating a regulated 5.0V output voltage. The MCP1650 SEPIC Demo Board requires the use of an external input voltage source (3.0V–7.0V).

### 2.3.1 Power Input and Output Connections

#### 2.3.1.1 POWERING THE MCP1650 SEPIC DEMO BOARD

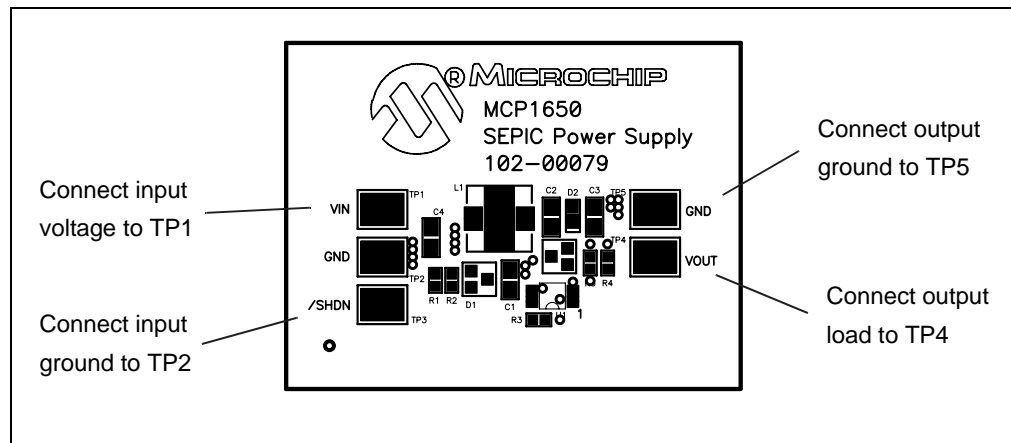
Apply the input voltage to the  $V_{IN}$  (TP1) and GND (TP2) test points. The input voltage should be limited to the 0V to +7.0V range. For normal operation, the input voltage must be between +3.0V and +7.0V.

#### 2.3.1.2 APPLY THE LOAD TO THE REGULATED OUTPUT VOLTAGE TEST POINTS

1. To apply a load to the MCP1650 SEPIC Demo Board, the positive side (+) of the load should be connected to the  $V_{OUT}$  test point (TP4). The negative side (–) of the load should be connected to the GND test point (TP5).
2. The maximum load current for the MCP1650 SEPIC Demo Board is 160 mA. Applying a load greater than the stated maximum will cause the output voltage to pull out of regulation.

#### 2.3.1.3 ENABLING/DISABLING THE MCP1650 SEPIC DEMO BOARD

The  $\overline{\text{SHDN}}$  pin of the MCP1650 is pulled-up to  $V_{IN}$  so that the device is always enabled. The SHDN test point (TP3) can be used to apply an external Enable signal to the device. Pulling TP3 to ground will disable the part.



**FIGURE 2-1:** MCP1650 SEPIC Demo Board Assembly Drawing.

## 2.3.2 Evaluating the Application

The MCP1650 SEPIC Demo Board can be used to provide a low-cost, minimal size, low-power bias circuit. A well-regulated 5V at 160 mA output is produced from a 3.0V to 7.0V input source. This voltage range allows the source to be a single Li-Ion battery or three to four NiMH batteries.

The SEPIC topology is employed to convert this wide-ranging input source to a well-regulated 5 volts. The SEPIC has the ability to automatically buck or boost the input source. By coupling the two inductors onto one magnetic core, a small footprint, low parts-count, low-power step-up or step-down converter is developed.

To truly evaluate the effectiveness of the MCP1650 SEPIC Demo Board, the input voltage must be varied over the entire operating range, while the load is varied from 0A to 160 mA. Test points are provided for connecting the variable input voltage source (TP1 and TP2) and a variable load (TP4 and TP5). An additional test point (TP3) is connected to the shutdown pin (SHDN) of the MCP1650. On the board, the SHDN pin is pulled-up to  $V_{IN}$ . However, by connecting TP3 to GND, the converter can be disabled.

# MCP1650 SEPIC Demo Board User's Guide

---

---

NOTES:



# MCP1650 SEPIC DEMO BOARD USER'S GUIDE

---

---

## Appendix A. Schematic and Layout

---

---

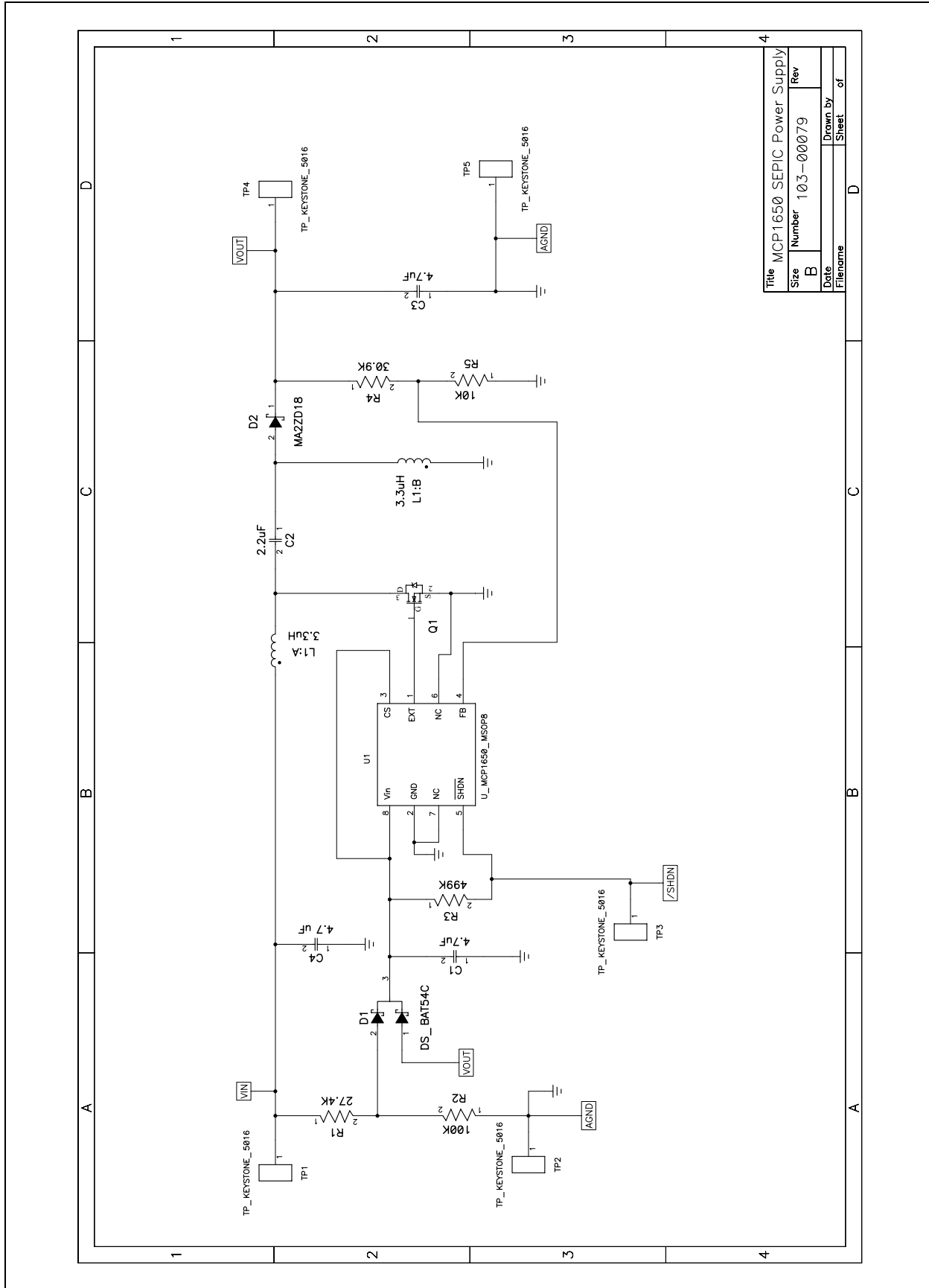
### A.1 INTRODUCTION

This appendix contains the following schematic and layout diagrams for the MCP1650 SEPIC Demo Board:

- Board Schematic
- Board – Top Overlay
- Board – Top Layer
- Board – Bottom Layer

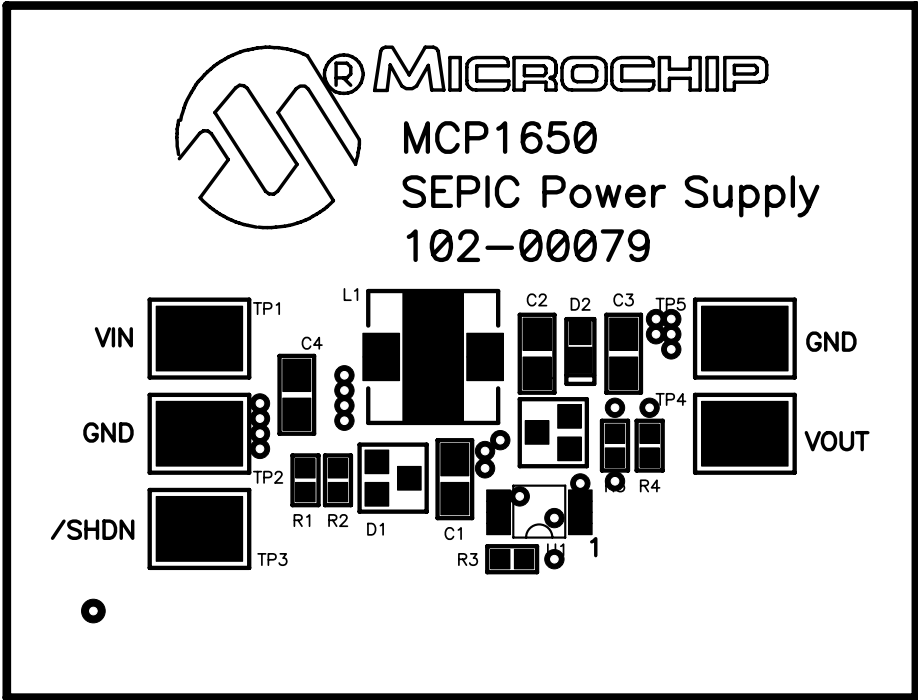
# MCP1650 SEPIC Demo Board User's Guide

## A.2 BOARD SCHEMATIC





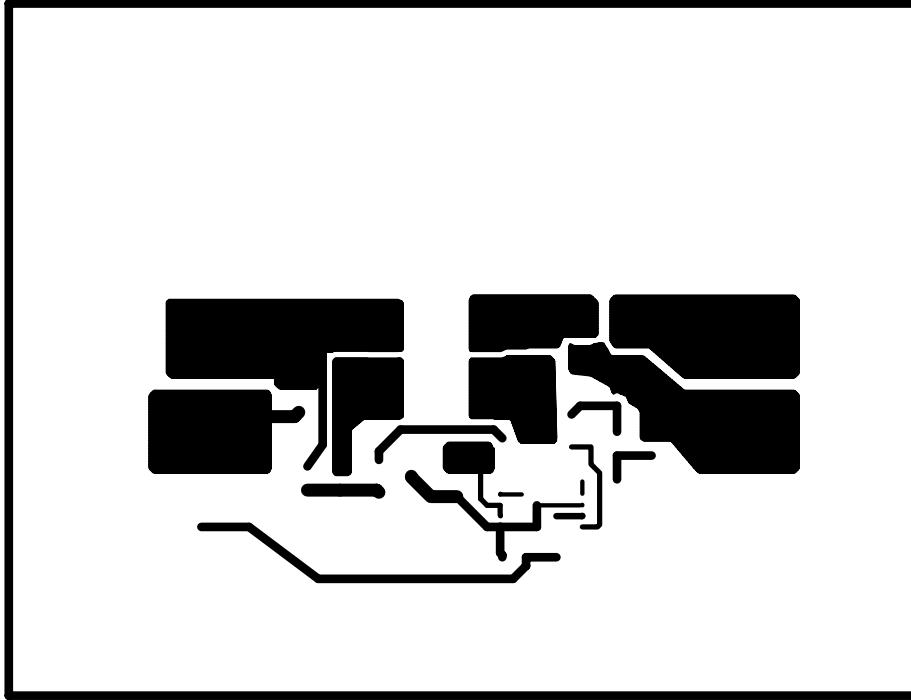
A.3 BOARD – TOP OVERLAY



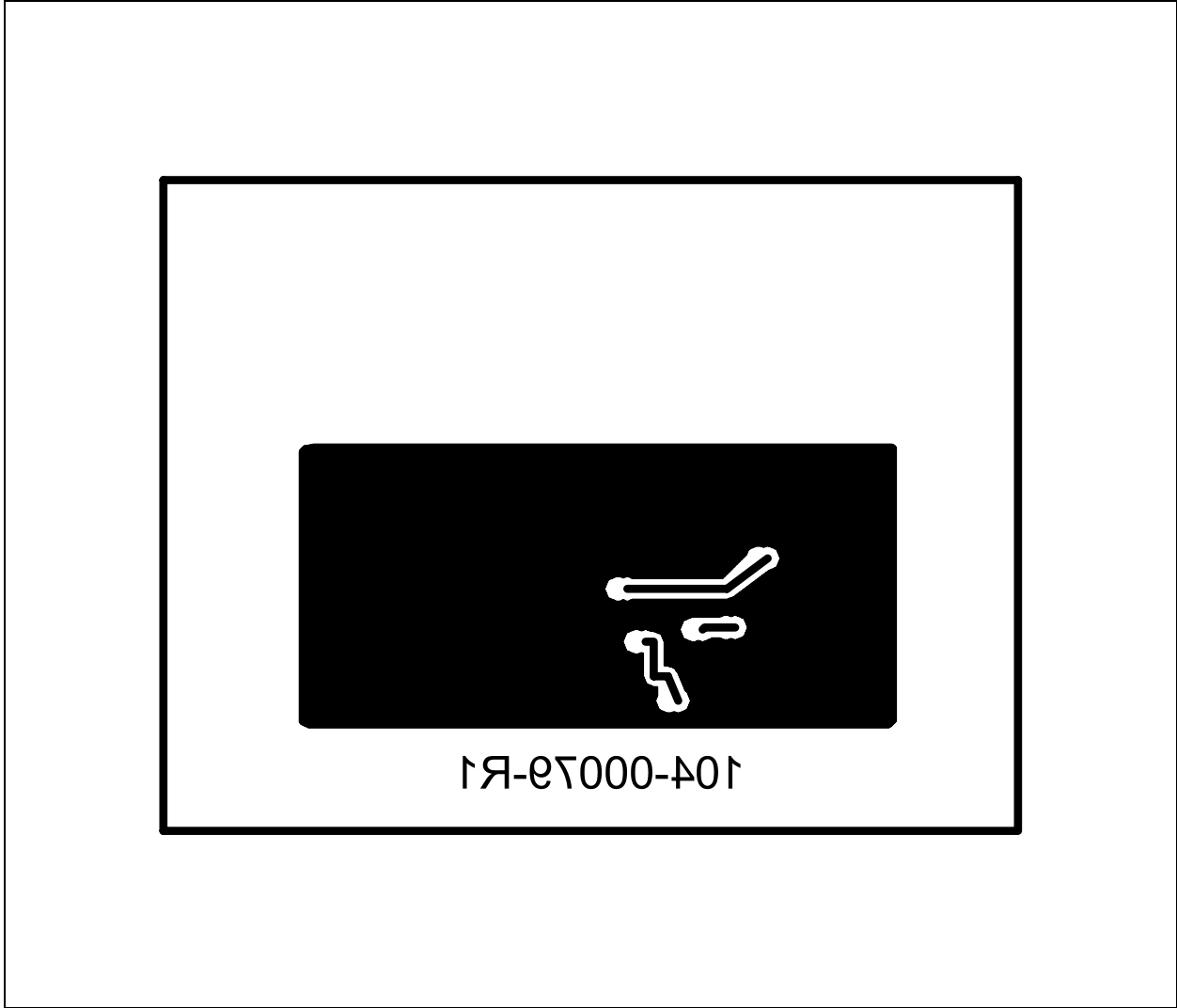
# MCP1650 SEPIC Demo Board User's Guide

---

## A.4 BOARD – TOP LAYER



A.5 BOARD – BOTTOM LAYER



# MCP1650 SEPIC Demo Board User's Guide

---

---

NOTES:

**Appendix B. Bill Of Materials (BOM)**

**TABLE B-1: BILL OF MATERIALS (BOM)**

Qty.	Reference	Description	Mfgr.	Part Number
3	C1, C3, C4	4.7 $\mu$ F, X5R Ceramic, 16V, 0805	Panasonic <sup>®</sup>	ECJ-2FB1C475K
1	C2	2.2 $\mu$ F, X5R Ceramic, 16V, 0805	Panasonic	ECJ-2FB1C225K
1	L1	3.3 $\mu$ H, Dual Inductor	Coiltronics <sup>®</sup>	DRQ73-3R3
1	D1	Schottky Diode, 30V, Dual	Philips Electronics	BAT54C
1	D2	Schottky Diode, 20V	Panasonic	MA2ZD1800L
1	Q1	N-Channel 20V 4.2A MOSFET	International Rectifier	IRLML2502
1	R5	10 K $\Omega$ , 1/10W, 1%, 0603	Rohm	MCR03EZPJ103
1	R1	27.4 K $\Omega$ , 1/10W, 1%, 0603	Rohm	MCR03EZPFX2742
1	R4	30.9 K $\Omega$ , 1/10W, 1%, 0603	Rohm	MCR03EZPFX3092
1	R2	100 K $\Omega$ , 1/10W, 1%, 0603	Rohm	MCR03EZPFX1003
1	R3	499 K $\Omega$ , 1/10W, 1%, 0603	Rohm	MCR03EZPFX4993
5	TP1, TP2, TP3, TP4, TP5	Test Point	Keystone Electronics <sup>®</sup>	5016
1	U1	750 kHz, Boost Controller, MSOP	Microchip Technology Inc.	MCP1650R-E/MS



---

---

## WORLDWIDE SALES AND SERVICE

---

---

### AMERICAS

**Corporate Office**  
2355 West Chandler Blvd.  
Chandler, AZ 85224-6199  
Tel: 480-792-7200  
Fax: 480-792-7277  
Technical Support:  
<http://support.microchip.com>  
Web Address:  
[www.microchip.com](http://www.microchip.com)

**Atlanta**  
Alpharetta, GA  
Tel: 770-640-0034  
Fax: 770-640-0307

**Boston**  
Westborough, MA  
Tel: 774-760-0087  
Fax: 774-760-0088

**Chicago**  
Itasca, IL  
Tel: 630-285-0071  
Fax: 630-285-0075

**Dallas**  
Addison, TX  
Tel: 972-818-7423  
Fax: 972-818-2924

**Detroit**  
Farmington Hills, MI  
Tel: 248-538-2250  
Fax: 248-538-2260

**Kokomo**  
Kokomo, IN  
Tel: 765-864-8360  
Fax: 765-864-8387

**Los Angeles**  
Mission Viejo, CA  
Tel: 949-462-9523  
Fax: 949-462-9608

**San Jose**  
Mountain View, CA  
Tel: 650-215-1444  
Fax: 650-961-0286

**Toronto**  
Mississauga, Ontario,  
Canada  
Tel: 905-673-0699  
Fax: 905-673-6509

### ASIA/PACIFIC

**Australia - Sydney**  
Tel: 61-2-9868-6733  
Fax: 61-2-9868-6755

**China - Beijing**  
Tel: 86-10-8528-2100  
Fax: 86-10-8528-2104

**China - Chengdu**  
Tel: 86-28-8676-6200  
Fax: 86-28-8676-6599

**China - Fuzhou**  
Tel: 86-591-8750-3506  
Fax: 86-591-8750-3521

**China - Hong Kong SAR**  
Tel: 852-2401-1200  
Fax: 852-2401-3431

**China - Qingdao**  
Tel: 86-532-8502-7355  
Fax: 86-532-8502-7205

**China - Shanghai**  
Tel: 86-21-5407-5533  
Fax: 86-21-5407-5066

**China - Shenyang**  
Tel: 86-24-2334-2829  
Fax: 86-24-2334-2393

**China - Shenzhen**  
Tel: 86-755-8203-2660  
Fax: 86-755-8203-1760

**China - Shunde**  
Tel: 86-757-2839-5507  
Fax: 86-757-2839-5571

**China - Wuhan**  
Tel: 86-27-5980-5300  
Fax: 86-27-5980-5118

**China - Xian**  
Tel: 86-29-8833-7250  
Fax: 86-29-8833-7256

### ASIA/PACIFIC

**India - Bangalore**  
Tel: 91-80-2229-0061  
Fax: 91-80-2229-0062

**India - New Delhi**  
Tel: 91-11-5160-8631  
Fax: 91-11-5160-8632

**India - Pune**  
Tel: 91-20-2566-1512  
Fax: 91-20-2566-1513

**Japan - Yokohama**  
Tel: 81-45-471-6166  
Fax: 81-45-471-6122

**Korea - Gumi**  
Tel: 82-54-473-4301  
Fax: 82-54-473-4302

**Korea - Seoul**  
Tel: 82-2-554-7200  
Fax: 82-2-558-5932 or  
82-2-558-5934

**Malaysia - Penang**  
Tel: 604-646-8870  
Fax: 604-646-5086

**Philippines - Manila**  
Tel: 632-634-9065  
Fax: 632-634-9069

**Singapore**  
Tel: 65-6334-8870  
Fax: 65-6334-8850

**Taiwan - Hsin Chu**  
Tel: 886-3-572-9526  
Fax: 886-3-572-6459

**Taiwan - Kaohsiung**  
Tel: 886-7-536-4818  
Fax: 886-7-536-4803

**Taiwan - Taipei**  
Tel: 886-2-2500-6610  
Fax: 886-2-2508-0102

**Thailand - Bangkok**  
Tel: 66-2-694-1351  
Fax: 66-2-694-1350

### EUROPE

**Austria - Weis**  
Tel: 43-7242-2244-399  
Fax: 43-7242-2244-393

**Denmark - Copenhagen**  
Tel: 45-4450-2828  
Fax: 45-4485-2829

**France - Paris**  
Tel: 33-1-69-53-63-20  
Fax: 33-1-69-30-90-79

**Germany - Munich**  
Tel: 49-89-627-144-0  
Fax: 49-89-627-144-44

**Italy - Milan**  
Tel: 39-0331-742611  
Fax: 39-0331-466781

**Netherlands - Drunen**  
Tel: 31-416-690399  
Fax: 31-416-690340

**Spain - Madrid**  
Tel: 34-91-352-30-52  
Fax: 34-91-352-11-47

**UK - Wokingham**  
Tel: 44-118-921-5869  
Fax: 44-118-921-5820





Компания «ЭлектроПласт» предлагает заключение долгосрочных отношений при поставках импортных электронных компонентов на взаимовыгодных условиях!

Наши преимущества:

- Оперативные поставки широкого спектра электронных компонентов отечественного и импортного производства напрямую от производителей и с крупнейших мировых складов;
- Поставка более 17-ти миллионов наименований электронных компонентов;
- Поставка сложных, дефицитных, либо снятых с производства позиций;
- Оперативные сроки поставки под заказ (от 5 рабочих дней);
- Экспресс доставка в любую точку России;
- Техническая поддержка проекта, помощь в подборе аналогов, поставка прототипов;
- Система менеджмента качества сертифицирована по Международному стандарту ISO 9001;
- Лицензия ФСБ на осуществление работ с использованием сведений, составляющих государственную тайну;
- Поставка специализированных компонентов (Xilinx, Altera, Analog Devices, Intersil, Interpoint, Microsemi, Aeroflex, Peregrine, Syfer, Eurofarad, Texas Instrument, Miteq, Cobham, E2V, MA-COM, Hittite, Mini-Circuits, General Dynamics и др.);

Помимо этого, одним из направлений компании «ЭлектроПласт» является направление «Источники питания». Мы предлагаем Вам помощь Конструкторского отдела:

- Подбор оптимального решения, техническое обоснование при выборе компонента;
- Подбор аналогов;
- Консультации по применению компонента;
- Поставка образцов и прототипов;
- Техническая поддержка проекта;
- Защита от снятия компонента с производства.



#### Как с нами связаться

**Телефон:** 8 (812) 309 58 32 (многоканальный)

**Факс:** 8 (812) 320-02-42

**Электронная почта:** [org@eplast1.ru](mailto:org@eplast1.ru)

**Адрес:** 198099, г. Санкт-Петербург, ул. Калинина, дом 2, корпус 4, литера А.