

Linear/Saturating Choke



See below:

**Approvals and Compliances**

**Description**

- Linear/saturating choke
- Flexible wire
- Low noise development by using iron powder toroids instead of conventional iron lamination cores
- Fully potted resign

**Applications**

- Phase angle control circuits with thyristors, triacs or transistors
- The choke acts at its optimum when it is mounted directly at the interference originator (thyristor, triac)

**Weblinks**

[pdf data sheet](#), [html datasheet](#), [General Product Information](#), [Approvals](#), [Distributor-Stock-Check](#), [Detailed request for product](#)

**Technical Data**

|                           |                     |                           |                               |
|---------------------------|---------------------|---------------------------|-------------------------------|
| Rated voltage             | up to 440 VAC       | Isolation Voltage         | 2 kV eff., winding to ambient |
| Rated Current             | 5 - 45 A @ Ta 45 °C | Climatic Category         | 25/100/21 acc. to IEC 60068-1 |
| Power Operating Frequency | 50 Hz               | Allowable Operation Temp. | -25 °C to 100 °C              |
| Terminal Type             | THT, Flexible wire  |                           |                               |
| Weight                    | 149 - 1423 g        |                           |                               |
| Material: Housing         | UL 94V-0            |                           |                               |
| Sealing Compound          | UL 94V-0            |                           |                               |


**Approvals and Compliances**

Detailed information on product approvals, code requirements, usage instructions and detailed test conditions can be looked up in [Details about Approvals](#)

SCHURTER products are designed for use in industrial environments. They have approvals from independent testing bodies according to national and international standards. Products with specific characteristics and requirements such as required in the automotive sector according to IATF 16949, medical technology according to ISO 13485 or in the aerospace industry can be offered exclusively with customer-specific, individual agreements by SCHURTER.





**Application standards**

Application standards where the product can be used

| Organization                                                                        | Design                         | Standard       | Description                                                                                                          |
|-------------------------------------------------------------------------------------|--------------------------------|----------------|----------------------------------------------------------------------------------------------------------------------|
|  | Designed for applications acc. | IEC/UL 62368-1 | IEC 62368-1 includes the basic requirements for safety of audio, video, information technology and office equipment. |

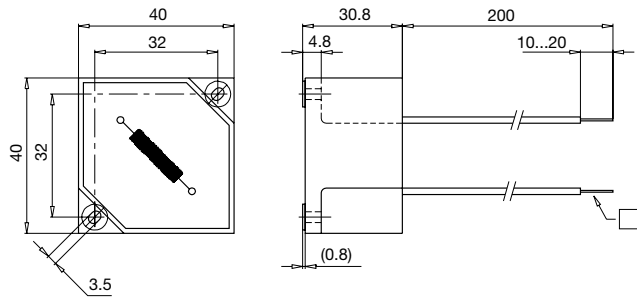
**Compliances**

The product complies with following Guide Lines

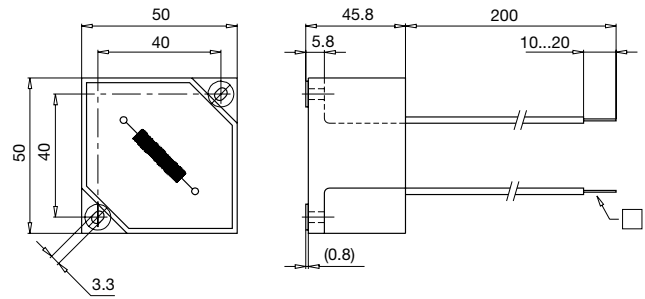
| Identification                                                                      | Details                                      | Initiator   | Description                                                                                                                                                                                           |
|-------------------------------------------------------------------------------------|----------------------------------------------|-------------|-------------------------------------------------------------------------------------------------------------------------------------------------------------------------------------------------------|
|  | <a href="#">CE declaration of conformity</a> | SCHURTER AG | The CE marking declares that the product complies with the applicable requirements laid down in the harmonisation of Community legislation on its affixing in accordance with EU Regulation 765/2008. |
|  | RoHS                                         | SCHURTER AG | Directive RoHS 2011/65/EU, Amendment (EU) 2015/863                                                                                                                                                    |
|  | China RoHS                                   | SCHURTER AG | The law SJ / T 11363-2006 (China RoHS) has been in force since 1 March 2007. It is similar to the EU directive RoHS.                                                                                  |
|  | REACH                                        | SCHURTER AG | On 1 June 2007, Regulation (EC) No 1907/2006 on the Registration, Evaluation, Authorization and Restriction of Chemicals 1 (abbreviated as "REACH") entered into force.                               |

**Dimension [mm]**

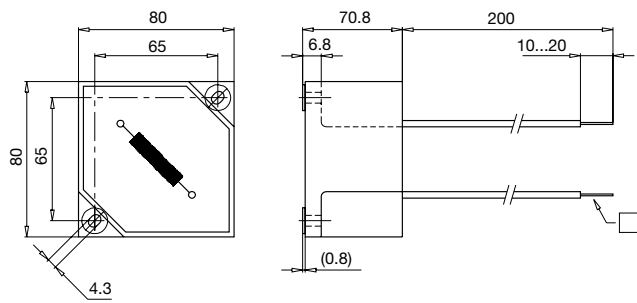
Case 25W



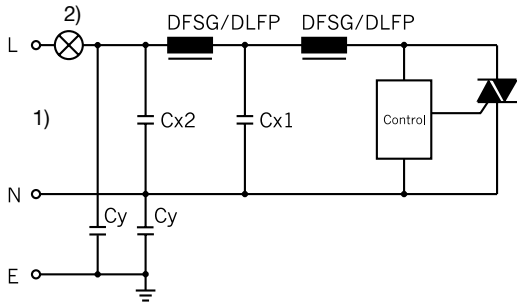
Case 47W



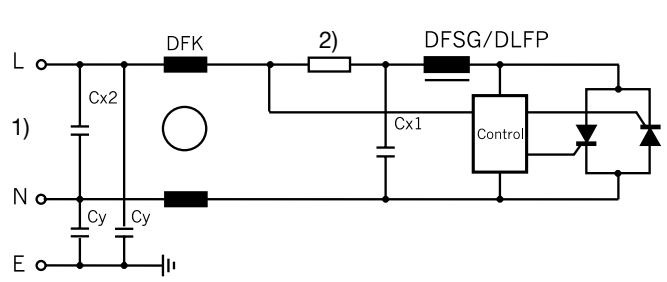
Case 32W



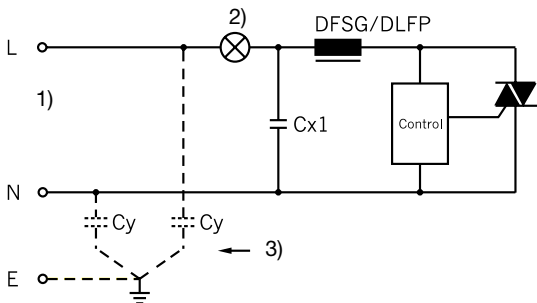
Diagrams



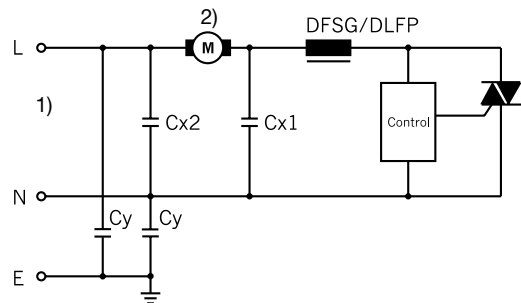
Interference suppression with resistive load, 2-phase  
 1) Line  
 2) Load



Interference suppression with resistive load, 2-stage  
 DFSG: Radio interference suppression saturation choke  
 DFK: Radio interference suppression choke magnetically condensated  
 1) Line  
 2) Load

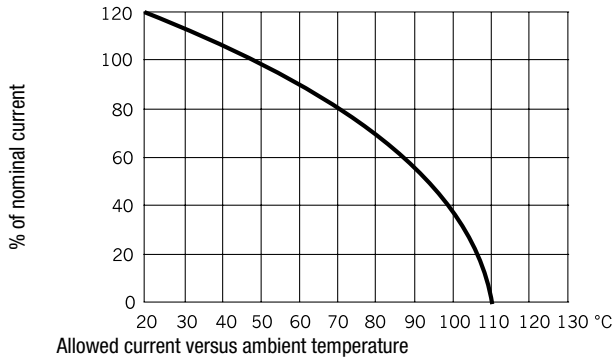


Interference suppression with resistive load, < 10A, e.g. dimmers circuit (DFSG)  
 1) Line  
 2) Load  
 3) only to protection class I



Interference suppression with inductive load  
 1) Line  
 2) Load

Derating Curves



All Variants

| $I_n$ [A] | $L_n$ [mH] | Inductance drop max [%] | $R_{Cu}$ [mΩ] | Tripped Power Dissipation | $f_{RES}$ [MHz] | $C_x$ [μF] | Copper $\phi$ [mm] | Weight [g] | Housings | Packing unit [pcs.] | Order Number   |
|-----------|------------|-------------------------|---------------|---------------------------|-----------------|------------|--------------------|------------|----------|---------------------|----------------|
| 5         | 1          | 60                      | 120           | 3                         | 0.8             | 0.047      | 1                  | 149g       | 25W      | 10                  | DLFP-0125-0501 |
| 8         | 0.5        | 60                      | 54            | 3.5                       | 1.32            | 0.1        | 1.25               | 150g       | 25W      | 10                  | DLFP-0125-08D5 |
| 12        | 0.5        | 60                      | 38            | 5.5                       | 1.16            | 0.1        | 1.7                | 350g       | 47W      | 6                   | DLFP-0147-12D5 |
| 16        | 0.3        | 60                      | 25            | 6.4                       | 1.69            | 0.22       | 1.8                | 320g       | 47W      | 6                   | DLFP-0147-16D3 |
| 25        | 0.15       | 60                      | 10            | 6.3                       | 2.5             | 0.47       | 2.36               | 350g       | 47W      | 6                   | DLFP-0147-25D2 |
| 35        | 0.05       | 60                      | 5.3           | 6.5                       | 3.5             | 1.5        | 1.5 x 4.5          | 338g       | 47W      | 6                   | DLFP-0147-35C5 |
| 45        | 0.2        | 70                      | 6             | 12                        | 1.1             | 1          | 5                  | 1423g      | 32W      | 2                   | DLFP-0132-45D2 |

Availability for all products can be searched real-time: <https://www.schurter.com/en/Stock-Check/Stock-Check-SCHURTER>

Inductance drop at  $I_n$



Компания «ЭлектроПласт» предлагает заключение долгосрочных отношений при поставках импортных электронных компонентов на взаимовыгодных условиях!

Наши преимущества:

- Оперативные поставки широкого спектра электронных компонентов отечественного и импортного производства напрямую от производителей и с крупнейших мировых складов;
- Поставка более 17-ти миллионов наименований электронных компонентов;
- Поставка сложных, дефицитных, либо снятых с производства позиций;
- Оперативные сроки поставки под заказ (от 5 рабочих дней);
- Экспресс доставка в любую точку России;
- Техническая поддержка проекта, помощь в подборе аналогов, поставка прототипов;
- Система менеджмента качества сертифицирована по Международному стандарту ISO 9001;
- Лицензия ФСБ на осуществление работ с использованием сведений, составляющих государственную тайну;
- Поставка специализированных компонентов (Xilinx, Altera, Analog Devices, Intersil, Interpoint, Microsemi, Aeroflex, Peregrine, Syfer, Eurofarad, Texas Instrument, Miteq, Cobham, E2V, MA-COM, Hittite, Mini-Circuits, General Dynamics и др.);

Помимо этого, одним из направлений компании «ЭлектроПласт» является направление «Источники питания». Мы предлагаем Вам помощь Конструкторского отдела:

- Подбор оптимального решения, техническое обоснование при выборе компонента;
- Подбор аналогов;
- Консультации по применению компонента;
- Поставка образцов и прототипов;
- Техническая поддержка проекта;
- Защита от снятия компонента с производства.



#### Как с нами связаться

**Телефон:** 8 (812) 309 58 32 (многоканальный)

**Факс:** 8 (812) 320-02-42

**Электронная почта:** [org@eplast1.ru](mailto:org@eplast1.ru)

**Адрес:** 198099, г. Санкт-Петербург, ул. Калинина, дом 2, корпус 4, литера А.