

Main

| | |
|---------------------------|-------------------------------------------------------------------------|
| Range of product | Preventa XY2 |
| Product or component type | Latching emergency stop rope pull switch |
| Device short name | XY2CE |
| Housing colour | Red RAL 3000 |
| Overvoltage category | Class I conforming to EN/IEC 61140 Class I conforming to NF C 20-030 |

Complementary

| | |
|----------------------------------------------|-----------------------------------------------------------------------------------------------------------------------------------------------------------------------------------------------------------------------------------------------------------------------------------------------------------------------------------|
| Local signalling | Without pilot light |
| Number of cables | 1 |
| Trigger cable maximum length | 229.66 ft (70 m) |
| Body material | Zamak |
| Cover material | Stainless steel |
| Reset | By booted push-button |
| Contacts type and composition | 1 NC + 1 NO |
| Contact operation | Slow-break |
| Trigger cable anchor point | RH side |
| Connections - terminals | Screw clamp terminal 1 x 0.5...2 x 1.5 mm ² |
| Tightening torque | 7.08...10.62 lbf.in (0.8...1.2 N.m) |
| Cable entry number | 3 tapped entry 1/2" NPT conduit entry |
| Safety level | Can reach category 4 with the appropriate monitoring system and correctly wired conforming to EN/ISO 13849-1 Can reach PL = e with the appropriate monitoring system and correctly wired conforming to EN/ISO 13849-1 Can reach SIL 3 with the appropriate monitoring system and correctly wired conforming to EN/IEC 61508 |
| Safety reliability data | B10d = 300000 with value given for a life time of 20 years limited by mechanical or contact wear conforming to IEC 60947-5-5 |
| Marking | CE |
| Mechanical durability | 60000 cycles |
| Distance between cable supports | 16.4 ft (5 m) |
| [Ie] rated operational current | 3 A at 240 V AC-15, A300 conforming to EN/IEC 60947-5-1 appendix A 0.27 A at 250 V DC-13, Q300 conforming to EN/IEC 60947-5-1 appendix A |
| [Ithe] conventional enclosed thermal current | 10 A |
| [Ui] rated insulation voltage | 500 V (degree of pollution: 3) conforming to EN/IEC 60947-1 300 V (degree of pollution: conforming to UL 508 300 V (degree of pollution: conforming to CSA C22.2 No 14 |
| [Uimp] rated impulse withstand voltage | 6 kV conforming to EN/IEC 60947-1 |
| Positive opening | With conforming to EN/IEC 60947-5-1 |
| Resistance across terminals | <= 25 MOhm conforming to NF C 93-050 method A <= 25 MOhm conforming to EN/IEC 60255-7 category 3 |
| Short-circuit protection | 10 A by gG cartridge fuse conforming to EN/IEC 60269 |
| Terminals description ISO n°1 | (13-14)NO (21-22)NC |
| Product weight | 3.2 lb(US) (1.45 kg) |

Environment

| | |
|---------------------------------------|-------------------------------------------------------------------------------------------------------------------------------------------------------------------------------|
| standards | EN/IEC 60204-1 EN/IEC 60947-5-1 EN/IEC 60947-5-5 EN/ISO 13850 UL 508 Machinery directive 2006/42/EC CSA C22.2 No 14 Work equipment directive 2009/104/EC |
| product certifications | UL category NISD emergency stop devices CSA CCC |
| protective treatment | TC |
| ambient air temperature for operation | -13...158 °F (-25...70 °C) |
| ambient air temperature for storage | -40...158 °F (-40...70 °C) |
| vibration resistance | 10 gn (f = 10...300 Hz) conforming to EN/IEC 60068-2-6 |
| shock resistance | 50 gn 11 ms conforming to EN/IEC 60068-2-27 |
| IP degree of protection | IP66 conforming to IEC 60529 |

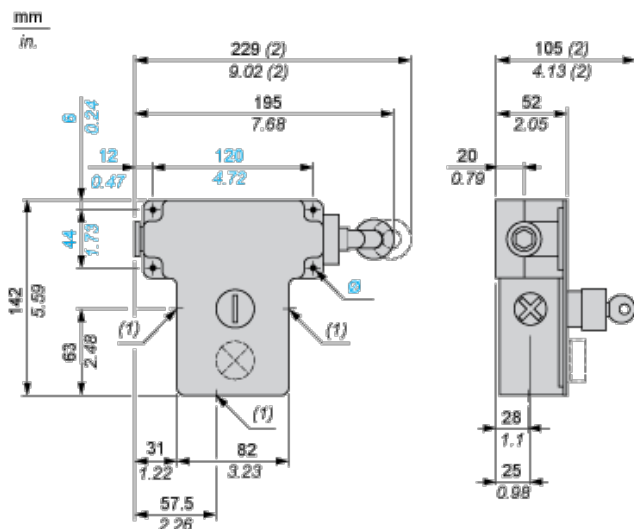
Offer Sustainability

| | |
|----------------------------------------------------------------------------------------------------------------------------|----------------------------------------------------------------------------------------------------------------------------|
| Green Premium product | Green Premium product |
| Compliant - since 0931 - Schneider Electric declaration of conformity | Compliant - since 0931 - Schneider Electric declaration of conformity |
| Reference not containing SVHC above the threshold | Reference not containing SVHC above the threshold |
| Available | Available |
| Need no specific recycling operations | Need no specific recycling operations |
| WARNING: This product can expose you to chemicals including: | WARNING: This product can expose you to chemicals including: |
| Diisononyl phthalate (DINP), which is known to the State of California to cause cancer, and | Diisononyl phthalate (DINP), which is known to the State of California to cause cancer, and |
| Di-isodecyl phthalate (DIDP), which is known to the State of California to cause birth defects or other reproductive harm. | Di-isodecyl phthalate (DIDP), which is known to the State of California to cause birth defects or other reproductive harm. |
| For more information go to www.p65warnings.ca.gov | For more information go to www.p65warnings.ca.gov |

Contractual warranty

| | |
|-----------------|-----------|
| Warranty period | 18 months |
|-----------------|-----------|

Dimensions

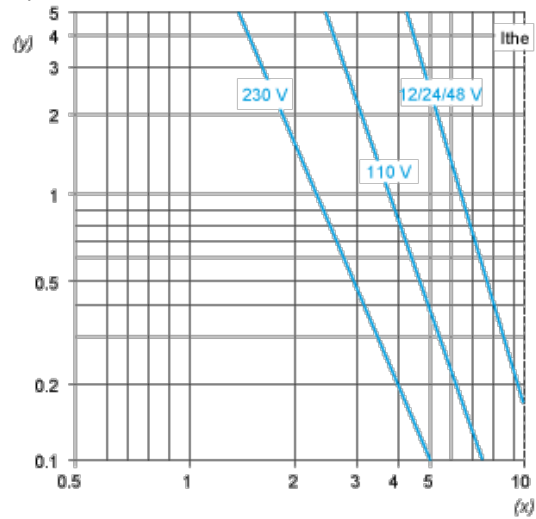


- (1) 3 plain holes for 1/2" NPT cable gland
- (2) Maximum extension.
- Ø 4 elongated holes Ø 6 mm/0.24 in.

Electrical Curves

AC Supply 50/60 Hz Inductive Circuit

2-pole Contact Block



Y Millions of operating cycles

X Current in A

DC Supply Power Broken in for 1 Million Operating Cycles Inductive Circuit

| | | | | |
|-----------|---|----|----|-----|
| Voltage | V | 24 | 48 | 120 |
| P_{max} | W | 13 | 9 | 7 |



Компания «ЭлектроПласт» предлагает заключение долгосрочных отношений при поставках импортных электронных компонентов на взаимовыгодных условиях!

Наши преимущества:

- Оперативные поставки широкого спектра электронных компонентов отечественного и импортного производства напрямую от производителей и с крупнейших мировых складов;
- Поставка более 17-ти миллионов наименований электронных компонентов;
- Поставка сложных, дефицитных, либо снятых с производства позиций;
- Оперативные сроки поставки под заказ (от 5 рабочих дней);
- Экспресс доставка в любую точку России;
- Техническая поддержка проекта, помощь в подборе аналогов, поставка прототипов;
- Система менеджмента качества сертифицирована по Международному стандарту ISO 9001;
- Лицензия ФСБ на осуществление работ с использованием сведений, составляющих государственную тайну;
- Поставка специализированных компонентов (Xilinx, Altera, Analog Devices, Intersil, Interpoint, Microsemi, Aeroflex, Peregrine, Syfer, Eurofarad, Texas Instrument, Miteq, Cobham, E2V, MA-COM, Hittite, Mini-Circuits, General Dynamics и др.);

Помимо этого, одним из направлений компании «ЭлектроПласт» является направление «Источники питания». Мы предлагаем Вам помощь Конструкторского отдела:

- Подбор оптимального решения, техническое обоснование при выборе компонента;
- Подбор аналогов;
- Консультации по применению компонента;
- Поставка образцов и прототипов;
- Техническая поддержка проекта;
- Защита от снятия компонента с производства.



Как с нами связаться

Телефон: 8 (812) 309 58 32 (многоканальный)

Факс: 8 (812) 320-02-42

Электронная почта: org@eplast1.ru

Адрес: 198099, г. Санкт-Петербург, ул. Калинина, дом 2, корпус 4, литера А.