

Description

The 74AHC594 is an advanced high speed CMOS device.

An eight bit shift register accepts data from the serial input (DS) on each positive transition of the shift register clock (SHCP). When asserted low the shift register reset function ($\overline{\text{SHR}}$) sets all shift register values to zero and is independent of all clocks. Also when asserted low the storage register reset function ($\overline{\text{STR}}$) sets all shift register values to zero and is independent of all clocks.

Data from the input serial shift register is placed in the output register with a rising pulse on the storage register clock (STCP). The storage register includes output Q7S which is used for cascading information between devices. As the information moves into the storage register, it is asserted on the push-pull outputs Q0-Q7.

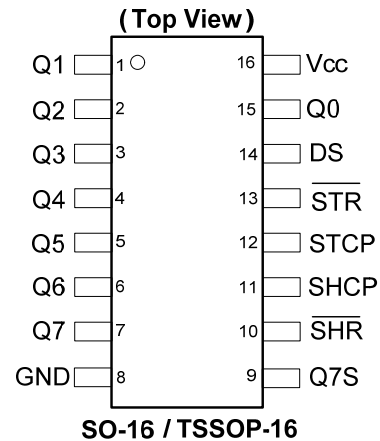
All registers capture data on rising edge and change output on the falling edge. If both clocks are connected together, the input shift register is always one clock cycle ahead of the output register.

Features

- Wide Supply Voltage Range from 2.0V to 5.5V
- Sinks or sources 8mA at $V_{CC} = 4.5V$
- CMOS low power consumption
- Schmitt Trigger Action at All Inputs
- Inputs accept up to 5.5V
- ESD Protection Tested per JESD 22
 - Exceeds 200-V Machine Model (A115-A)
 - Exceeds 2000-V Human Body Model (A114-A)
 - Exceeds 1000-V Charged Device Model (C101C)
- Latch-Up Exceeds 250mA per JESD 78, Class II
- **Totally Lead-Free & Fully RoHS Compliant (Notes 1 & 2)**
- **Halogen and Antimony Free. "Green" Device (Note 3)**

- Notes:
1. No purposely added lead. Fully EU Directive 2002/95/EC (RoHS) & 2011/65/EU (RoHS 2) compliant.
 2. See <http://www.diodes.com> for more information about Diodes Incorporated's definitions of Halogen- and Antimony-free, "Green" and Lead-free.
 3. Halogen- and Antimony-free "Green" products are defined as those which contain <900ppm bromine, <900ppm chlorine (<1500ppm total Br + Cl) and <1000ppm antimony compounds.

Pin Assignments



Applications

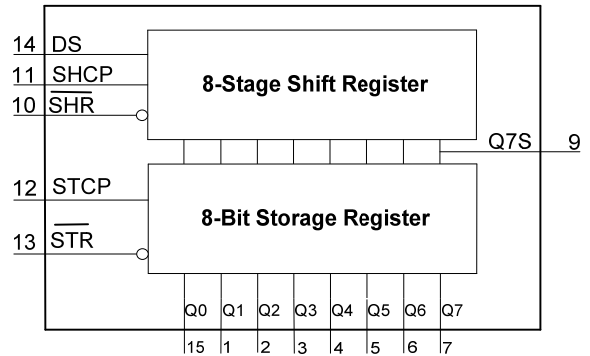
- General Purpose Logic
- Serial to Parallel Data conversion
- Capture and hold data for extended periods of time.
- Allow simple serial bit streams from a microcontroller to control as many peripheral lines as needed
- Wide array of products such as:
 - Computer Peripherals
 - Appliances
 - Industrial Control

[Click here for ordering information, located at the end of datasheet](#)

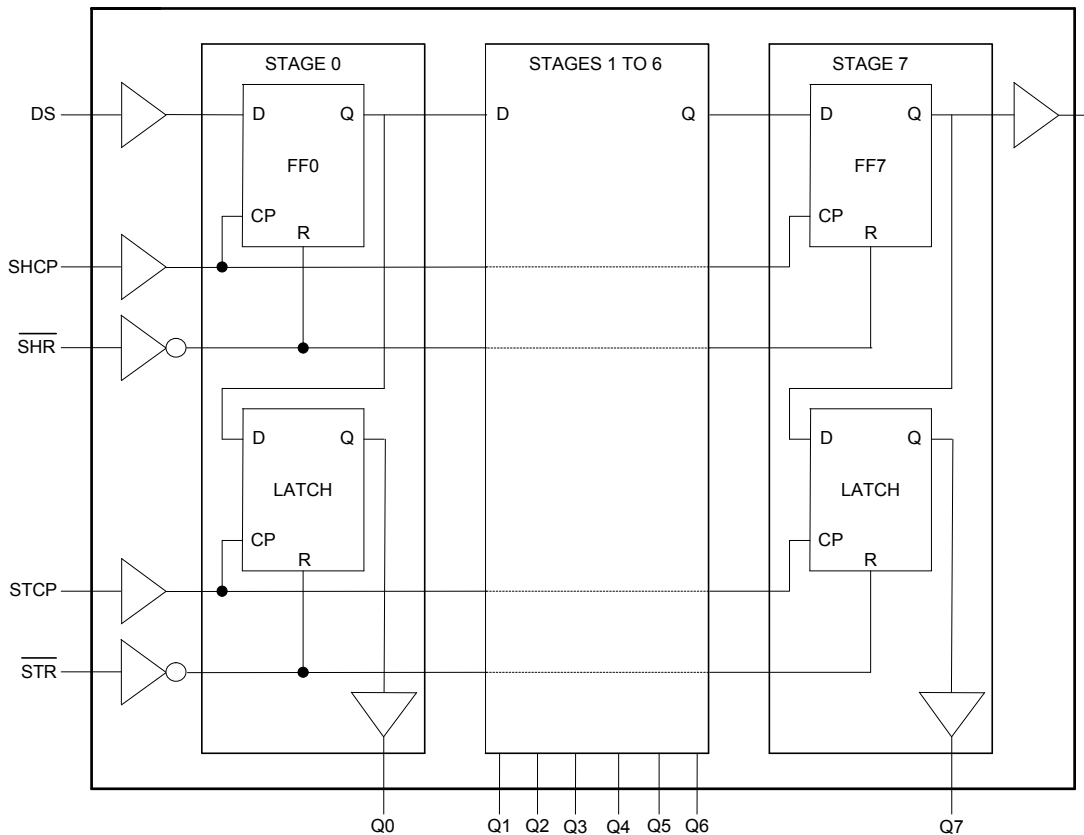
Pin Descriptions

| Pin Number | Pin Name | Functions |
|------------|-------------------------|-----------------------------------|
| 1 | Q1 | Parallel Data Output 1 |
| 2 | Q2 | Parallel Data Output 2 |
| 3 | Q3 | Parallel Data Output 3 |
| 4 | Q4 | Parallel Data Output 4 |
| 5 | Q5 | Parallel Data Output 5 |
| 6 | Q6 | Parallel Data Output 6 |
| 7 | Q7 | Parallel Data Output 7 |
| 8 | GND | Ground |
| 9 | Q7S | Serial Data Output |
| 10 | $\overline{\text{SHR}}$ | Shift Register Reset active low |
| 11 | SHCP | Shift Register Clock Input |
| 12 | STCP | Storage Register Clock Input |
| 13 | $\overline{\text{STR}}$ | Storage Register Reset active low |
| 14 | DS | Serial Data input |
| 15 | Q0 | Parallel Data Output 0 |
| 16 | Vcc | Supply Voltage |

Functional Diagram



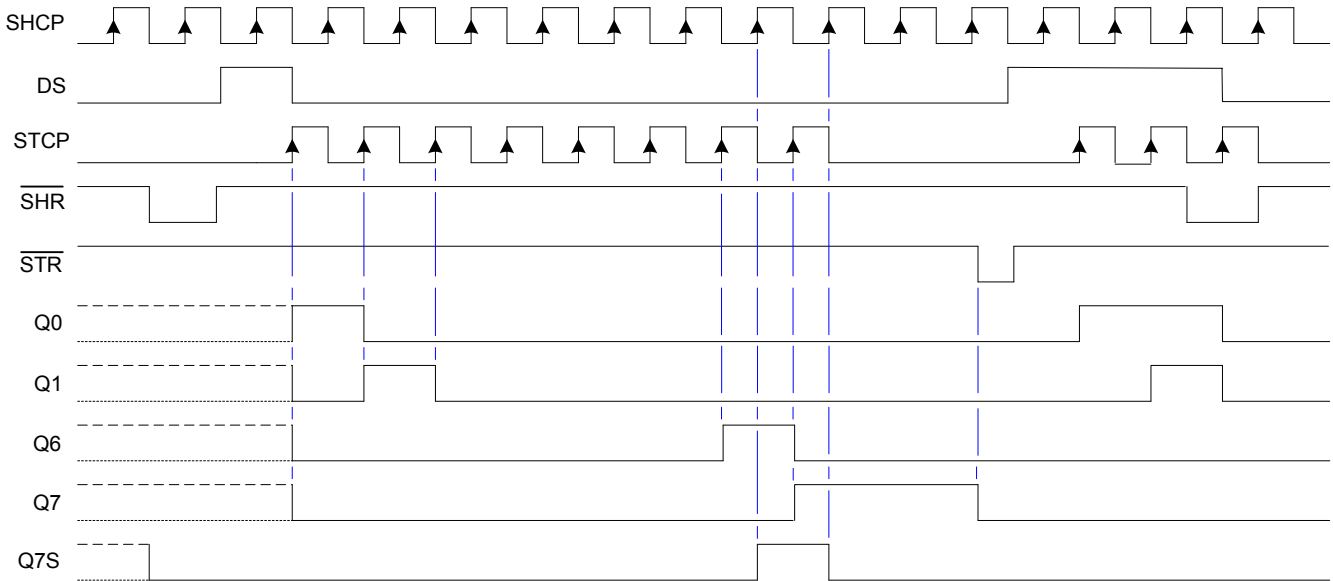
Logic Diagram



Functional Description and Timing Diagram

| Control | | | | Input | Output | | Function |
|---------|-----|------|------|--------|--------|-----------------|--|
| SHR | STR | SHCP | STCP | DS | Q7S | Qn | |
| L | X | X | X | X | L | NC | Clear Shift Register |
| X | L | X | X | X | NC | L | Clear Storage Register |
| H | X | ↑ | L | H or L | Q6S | NC | Loads DS into shift register stage 0. All Q _S shifted |
| H | H | X | ↑ | X | NC | Q _s | Contents of shift register moved to storage register all Q _S → Q _N |
| H | H | ↑ | ↑ | H or L | Q6S | Q _{nS} | Shift Register one pulse count ahead of storage register. |

H=HIGH voltage state
L=LOW voltage state
↑=LOW to HIGH transition
X= don't care – high or low (not floating)
NC= No change



Absolute Maximum Ratings (Note 4) (@T_A = +25°C, unless otherwise specified.)

| Symbol | Parameter | Rating | Unit |
|------------------|---|------------------------------|------|
| ESD HBM | Human Body Model ESD Protection | 2 | kV |
| ESD CDM | Charged Device Model ESD Protection | 1 | kV |
| ESD MM | Machine Model ESD Protection | 200 | V |
| V _{CC} | Supply Voltage Range | -0.5 to +7.0 | V |
| V _I | Input Voltage Range | -0.5 to +7.0 | V |
| V _O | Voltage applied to output in high or low state | -0.3 to V _{CC} +0.5 | V |
| I _{IK} | Input Clamp Current V _I < -0.5V | -20 | mA |
| I _{OK} | Output Clamp Current V _O < -0.5V | -20 | mA |
| I _{OK} | Output Clamp Current V _O > V _{CC} +0.5V | 20 | mA |
| I _O | Continuous output current | ±25 | mA |
| I _{CC} | Continuous current through V _{CC} | 75 | mA |
| I _{GND} | Continuous current through GND | -75 | mA |
| T _J | Operating Junction Temperature | -40 to +150 | °C |
| T _{STG} | Storage Temperature | -65 to +150 | °C |
| P _{TOT} | Total Power Dissipation | 500 | mW |

Notes: 4. Stresses beyond the absolute maximum may result in immediate failure or reduced reliability. These are stress values and device operation should be within recommend values.

Recommended Operating Conditions (Note 5) (@ $T_A = +25^\circ\text{C}$, unless otherwise specified.)

| Symbol | Parameter | Conditions | Min | Max | Unit |
|---------------------|------------------------------------|---------------------------------------|-----|----------|------------------|
| V_{CC} | Supply Voltage | – | 2.0 | 5.5 | V |
| V_I | Input Voltage | – | 0 | 5.5 | V |
| V_O | Output Voltage | – | 0 | V_{CC} | V |
| $\Delta t/\Delta V$ | Input transition Rise or Fall Rate | $V_{CC} = 3.0\text{V to }3.6\text{V}$ | – | 100 | ns/V |
| | | $V_{CC} = 4.5\text{V to }5.5\text{V}$ | – | 20 | |
| T_A | Operating Free-Air Temperature | – | -40 | +125 | $^\circ\text{C}$ |

Note: 5. Unused inputs should be held at V_{CC} or Ground.

Electrical Characteristics (@ $T_A = +25^\circ\text{C}$, unless otherwise specified.)

| Symbol | Parameter | Test Conditions | V_{CC} | $T_A = +25^\circ\text{C}$ | | | $T_A = -40^\circ\text{C to }+85^\circ\text{C}$ | | $T_A = -40^\circ\text{C to }+125^\circ\text{C}$ | | Unit |
|----------|---------------------------|---|----------|---------------------------|------|-----------|--|---------|---|---------|---------------|
| | | | | Min | Typ | Max | Min | Max | Min | Max | |
| V_{IH} | High-Level Input Voltage | – | 2.0V | 1.5 | – | – | 1.5 | – | 1.5 | – | V |
| | | – | 3.0V | 2.1 | – | – | 2.1 | – | 2.1 | – | |
| | | – | 5.5V | 3.85 | – | – | 3.85 | – | 3.85 | – | |
| V_{IL} | Low-Level Input Voltage | – | 2.0V | – | – | 0.5 | – | 0.5 | – | 0.5 | V |
| | | – | 3.0V | – | – | 0.9 | – | 0.9 | – | 0.9 | |
| | | – | 5.5V | – | – | 1.65 | – | 1.65 | – | 1.65 | |
| V_{OH} | High-Level Output Voltage | $I_{OH} = -50\mu\text{A}$ | 2.0V | 1.9 | 2.0 | – | 1.9 | – | 1.9 | – | V |
| | | $I_{OH} = -50\mu\text{A}$ | 3.0V | 2.9 | 3.0 | – | 2.9 | – | 2.9 | – | |
| | | $I_{OH} = -50\mu\text{A}$ | 4.5V | 4.4 | 4.5 | – | 4.4 | – | 4.4 | – | |
| | | $I_{OH} = -4\text{mA}$ | 3.0V | 2.58 | – | – | 2.48 | – | 2.40 | – | |
| | | $I_{OH} = -8\text{mA}$ | 4.5V | 3.94 | – | – | 3.80 | – | 3.70 | – | |
| V_{OL} | Low-Level Output Voltage | $I_{OL} = 50\mu\text{A}$ | 2.0V | – | 0 | 0.1 | – | 0.1 | – | 0.1 | V |
| | | $I_{OL} = 50\mu\text{A}$ | 3.0V | – | 0 | 0.1 | – | 0.1 | – | 0.1 | |
| | | $I_{OL} = 50\mu\text{A}$ | 4.5V | – | 0 | 0.1 | – | 0.1 | – | 0.1 | |
| | | $I_{OL} = 4\text{mA}$ | 3.0V | – | – | 0.36 | – | 0.44 | – | 0.55 | |
| | | $I_{OL} = 8\text{mA}$ | 4.5V | – | – | 0.36 | – | 0.44 | – | 0.55 | |
| I_I | Input Current | $V_I = \text{GND or }5.5\text{V}$ | 5.5V | – | 0.01 | ± 0.1 | – | ± 1 | – | ± 2 | μA |
| I_{CC} | Supply Current | $V_I = \text{GND or }V_{CC}$ $I_O = 0$ | 5.5V | – | – | 4 | – | 40 | – | 80 | μA |
| C_i | Input Capacitance | $V_I = V_{CC} \text{ or GND}$ | 5.5V | – | 3.5 | 10 | – | 10 | – | 10 | pF |

Switching Characteristics

| Symbol / Parameter | Pins | Test Conditions | V _{CC} | T _A = +25°C | | | -40°C to +85°C | | -40°C to +125°C | | Unit |
|---|---------------------------|-------------------------------|-----------------|------------------------|-----|------|----------------|------|-----------------|------|------|
| | | | | Min | Typ | Max | Min | Max | Min | Max | |
| f _{MAX} Maximum Frequency | SHCP or STCP | Figure1 | 3.0V to 3.6V | 80 | 125 | – | 70 | – | 65 | – | MHz |
| | | | 4.5V to 5.5V | 90 | 70 | – | 80 | – | 70 | – | |
| t _w Pulse Width | SHCP and STCP HIGH or LOW | Figure1 | 3.0V to 3.6V | 6.0 | – | – | 6.5 | – | 7.0 | – | ns |
| | | | 4.5V to 5.5V | 5.5 | – | – | 6.0 | – | 6.5 | – | |
| | SHR and STR HIGH or LOW | Figure1 | 3.0V to 3.6V | 5.0 | – | – | 5.0 | – | 5.5 | – | |
| | | | 4.5V to 5.5V | 5.0 | – | – | 5.2 | – | 5.7 | – | |
| t _{SU} Set-up Time | DS to SHCP | Figure1 | 3.0V to 3.6V | 3.5 | – | – | 3.5 | – | 3.5 | – | ns |
| | | | 4.5V to 5.5V | 3.0 | – | – | 3.0 | – | 3.0 | – | |
| | SHR to STCP | Figure1 | 3.0V to 3.6V | 8.0 | – | – | 9.0 | – | 9.5 | – | |
| | | | 4.5V to 5.5V | 5.0 | – | – | 5.0 | – | 5.5 | – | |
| | SHCP tp STCP | Figure1 | 3.0V to 3.6V | 8.0 | – | – | 8.5 | – | 9.0 | – | ns |
| | | | 4.5V to 5.5V | 5.0 | – | – | 5.0 | – | 5.5 | – | |
| t _H Hold Time | DS to SHCP | Figure1 | 3.0V to 3.6V | 1.5 | – | – | 1.5 | – | 1.5 | – | ns |
| | | | 4.5V to 5.5V | 2.0 | – | – | 2.0 | – | 2.0 | – | |
| t _{REC} Recovery Time | SHR to SHCP | Figure1 | 3.0V to 3.6V | 4.2 | – | – | 4.8 | – | 5.3 | – | ns |
| | | | 4.5V to 5.5V | 2.9 | – | – | 3.3 | – | 3.8 | – | |
| | SHR to STCP | Figure1 | 3.0V to 3.6V | 4.6 | – | – | 5.3 | – | 5.8 | – | ns |
| | | | 4.5V to 5.5V | 3.2 | – | – | 3.7 | – | 4.3 | – | |
| t _{PLH} LOW to HIGH Propagation Delay | SHCP to Q7S | Figure1 C _L = 15pF | 3.0V to 3.6V | – | 5.2 | 8.5 | 2.2 | 9.7 | 2.2 | 10.6 | ns |
| | | | 4.5V to 5.5V | – | 3.8 | 6.3 | 1.7 | 7.2 | 1.7 | 7.8 | |
| | | Figure1 C _L = 50pF | 3.0V to 3.6V | – | 7.4 | 11.5 | 3.0 | 13.2 | 3.0 | 14.3 | |
| | | | 4.5V to 5.5V | – | 4.8 | 8.0 | 2.4 | 9.1 | 2.4 | 10.0 | |
| | STCP to Qn | Figure1 C _L = 15pF | 3.0V to 3.6V | – | 5.1 | 8.3 | 2.3 | 9.5 | 2.3 | 10.6 | ns |
| | | | 4.5V to 5.5V | – | 3.5 | 5.7 | 1.8 | 6.5 | 1.8 | 7.1 | |
| | | Figure1 C _L = 50pF | 3.0V to 3.6V | – | 7.3 | 11.9 | 3.3 | 13.6 | 3.3 | 14.7 | |
| | | | 4.5V to 5.5V | – | 4.8 | 7.8 | 2.6 | 9.0 | 2.6 | 9.8 | |

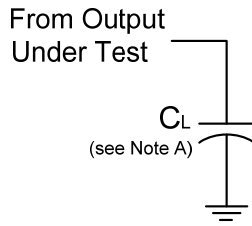
Switching Characteristics (cont.)

| Symbol / Parameter | Pins | Test Conditions | V _{CC} | T _A = +25°C | | | -40°C to +85°C | | -40°C to +125°C | | Unit | |
|--|---|--------------------------------|-----------------|------------------------|-----|------|----------------|------|-----------------|------|------|----|
| | | | | Min | Typ | Max | Min | Max | Min | Max | | |
| t _{PHLH} HIGH to LOW Propagation Delay | SHCP to Q7S | Figure 1 C _L = 15pF | 3.0V to 3.6V | – | 5.5 | 8.9 | 2.3 | 10.2 | 2.3 | 11.0 | ns | |
| | | | 4.5V to 5.5V | – | 4.1 | 6.7 | 1.9 | 7.6 | 1.9 | 8.2 | | |
| | | Figure 1 C _L = 50pF | 3.0V to 3.6V | – | 7.4 | 12.1 | 3.0 | 13.9 | 3.0 | 15.1 | | |
| | | | 4.5V to 5.5V | – | 5.4 | 8.8 | 2.5 | 10.1 | 2.5 | 11.0 | | |
| | STCP to Qn | Figure 1 C _L = 15pF | 3.0V to 3.6V | – | 5.5 | 9.1 | 2.4 | 10.4 | 2.4 | 11.3 | | ns |
| | | | 4.5V to 5.5V | – | 3.7 | 6.0 | 1.9 | 6.9 | 1.9 | 7.5 | | |
| | | Figure 1 C _L = 50pF | 3.0V to 3.6V | – | 7.3 | 12.0 | 3.2 | 13.8 | 3.2 | 15.0 | | |
| | | | 4.5V to 5.5V | – | 5.2 | 8.5 | 2.6 | 9.7 | 2.6 | 10.5 | | |
| | SHR to Q7S | Figure 1 C _L = 15pF | 3.0V to 3.6V | – | 5.7 | 9.5 | 2.3 | 10.8 | 2.3 | 11.7 | ns | |
| | | | 4.5V to 5.5V | – | 4.1 | 6.7 | 2.0 | 7.6 | 2.0 | 8.2 | | |
| | | Figure 1 C _L = 50pF | 3.0V to 3.6V | – | 7.5 | 12.2 | 3.6 | 14.0 | 3.6 | 15.2 | | |
| | | | 4.5V to 5.5V | – | 5.4 | 8.8 | 2.8 | 10.1 | 2.8 | 11.0 | | |
| | STR to Qn | Figure 1 C _L = 15pF | 3.0V to 3.6V | – | 4.1 | 7.2 | 2.2 | 8.2 | 2.2 | 8.9 | | ns |
| | | | 4.5V to 5.5V | – | 4.1 | 7.2 | 2.2 | 8.2 | 2.2 | 8.9 | | |
| | | Figure 1 C _L = 50pF | 3.0V to 3.6V | – | 5.4 | 9.4 | 3.0 | 10.7 | 3.0 | 11.6 | | |
| | | | 4.5V to 5.5V | – | 5.4 | 9.4 | 3.0 | 10.7 | 3.0 | 11.6 | | |
| t _{PHL} Propagation Delay | SHR to Q7S | Figure 1 | 2.0V | – | 39 | 150 | – | 185 | – | 225 | ns | |
| | | | 4.5V | – | 14 | 30 | – | 37 | – | 45 | | |
| | | | 5.0V | – | 11 | – | – | – | – | – | | |
| | | | 6.0V | – | 12 | 26 | – | 31 | – | 38 | | |
| | STR to Qn | Figure 1 | 2.0V | – | 39 | 125 | – | 155 | – | 185 | ns | |
| | | | 4.5V | – | 14 | 25 | – | 31 | – | 37 | | |
| | | | 5.0V | – | 11 | – | – | – | – | – | | |
| | | | 6.0V | – | 12 | 21 | – | 26 | – | 31 | | |
| t _{THL} Transition Time | Serial data output Q7S | Figure 1 | 2.0V | – | 19 | 75 | – | 95 | – | 110 | ns | |
| | | | 4.5V | – | 7 | 15 | – | 19 | – | 22 | | |
| | | | 6.0V | – | 6 | 13 | – | 16 | – | 19 | | |
| | Parallel Data Outputs Q _N | Figure 1 | 2.0V | – | 14 | 60 | – | 75 | – | 90 | ns | |
| | | | 4.5V | – | 5 | 12 | – | 15 | – | 18 | | |
| | | | 6.0V | – | 4 | 10 | – | 13 | – | 15 | | |

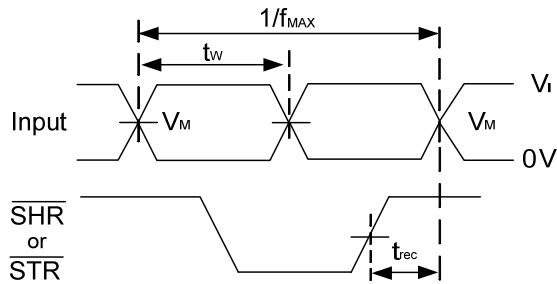
Operating Characteristics (@T_A = +25°C, unless otherwise specified.)

| Parameter | Test Conditions | V _{CC} = 5V | Unit | |
|-----------------|-------------------------------|---|------|----|
| | | Typ | | |
| C _{pd} | Power dissipation capacitance | f = 1 MHz all outputs switching-no load | 51 | pF |

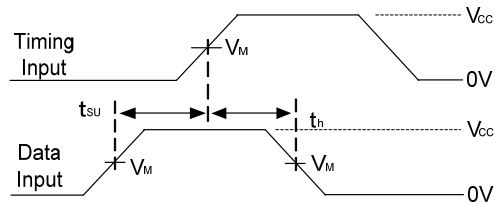
Parameter Measurement Information



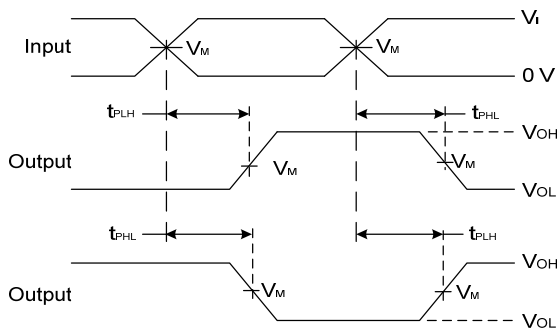
| V _{CC} | Inputs | | V _M |
|-----------------|-----------------|--------------------------------|--------------------|
| | V _I | t _r /t _f | |
| 4.5V | V _{CC} | 6ns | V _{CC} /2 |
| 5.0V | V _{CC} | 6ns | V _{CC} /2 |



**Voltage Waveform
Pulse Duration and Recovery Time**



**Voltage Waveform
Set-up and Hold Times**

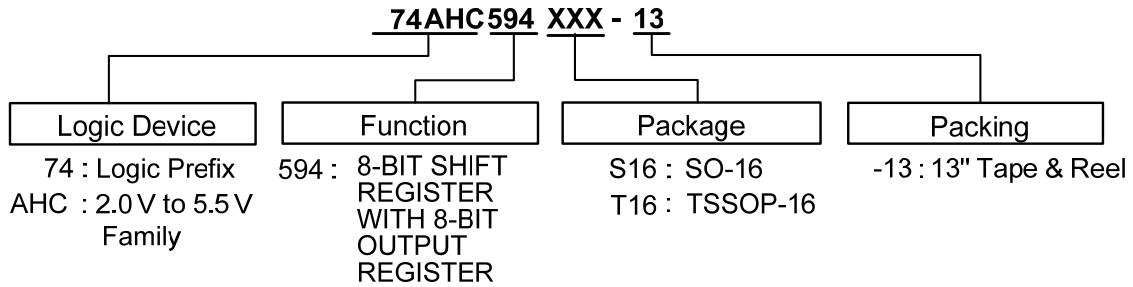


**Voltage Waveform
Propagation Delay Times
Inverting and Non Inverting Outputs**

- Notes:
- A. Includes test lead and test apparatus capacitance.
 - B. All pulses are supplied at pulse repetition rate ≤ 10MHz.
 - C. Inputs are measured separately one transition per measurement.
 - D. t_{PLH} and t_{PHL} are the same as t_{PD}.

Figure 1 Load Circuit and Voltage Waveforms

Ordering Information

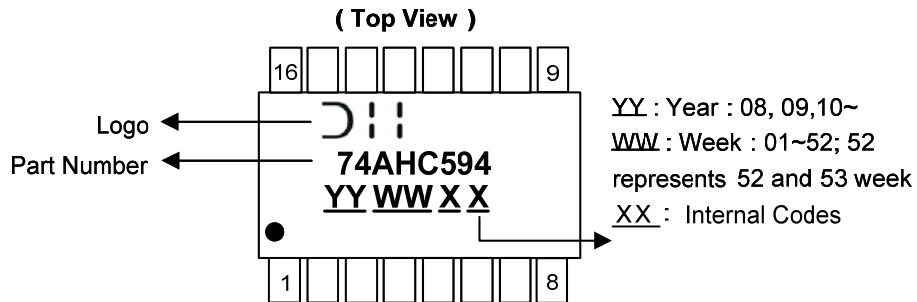


| Part Number | Package Code | Packaging | 7" Tape and Reel (Note 6) | |
|----------------|--------------|-----------|---------------------------|--------------------|
| | | | Quantity | Part Number Suffix |
| 74AHC594S16-13 | S16 | SO-16 | 2500/Tape & Reel | -13 |
| 74AHC594T16-13 | T16 | TSSOP-16 | 2500/Tape & Reel | -13 |

Note: 6. The taping orientation is located on our website at <http://www.diodes.com/datasheets/ap02007.pdf>

Marking Information

(1) SO-16, TSSOP16

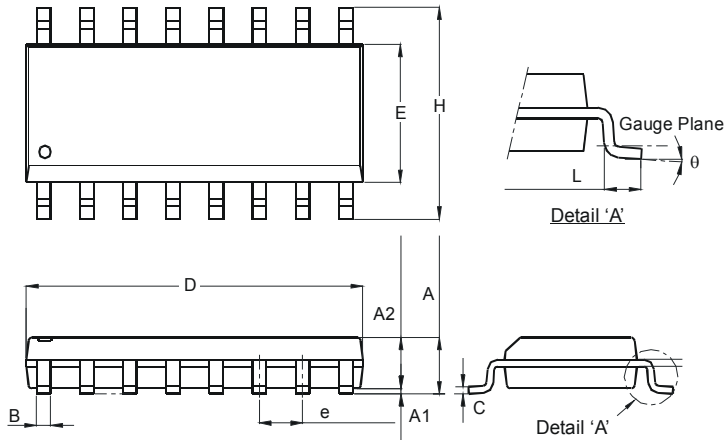


| Part Number | Package |
|-------------|----------|
| 74AHC594S16 | SO-16 |
| 74AHC594T16 | TSSOP-16 |

Package Outline Dimensions (All dimensions in mm.)

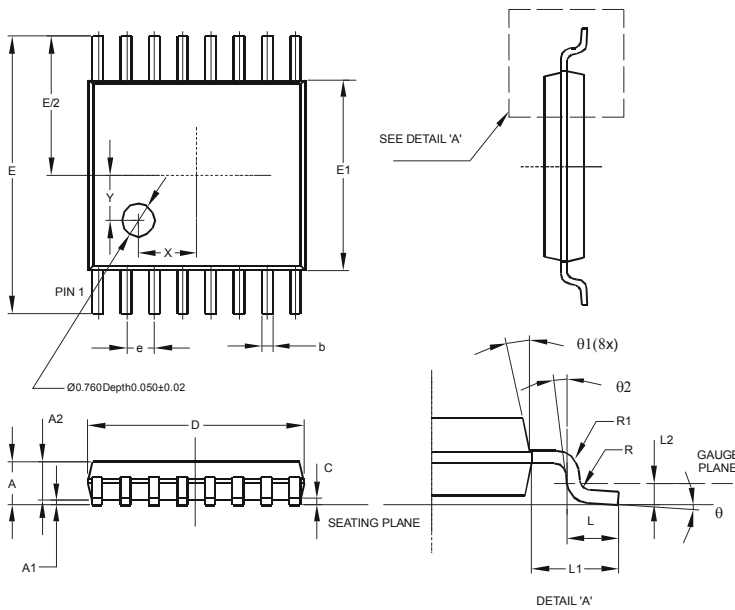
Please see AP02002 at <http://www.diodes.com/datasheets/ap02002.pdf> for latest version.

Package Type: SO-16



| SO-16 | | |
|----------------------|----------|-------|
| Dim | Min | Max |
| A | 1.40 | 1.75 |
| A1 | 0.10 | 0.25 |
| A2 | 1.30 | 1.50 |
| B | 0.33 | 0.51 |
| C | 0.19 | 0.25 |
| D | 9.80 | 10.00 |
| E | 3.80 | 4.00 |
| e | 1.27 Typ | |
| H | 5.80 | 6.20 |
| L | 0.38 | 1.27 |
| θ | 0° | 8° |
| All Dimensions in mm | | |

Package Type: TSSOP-16

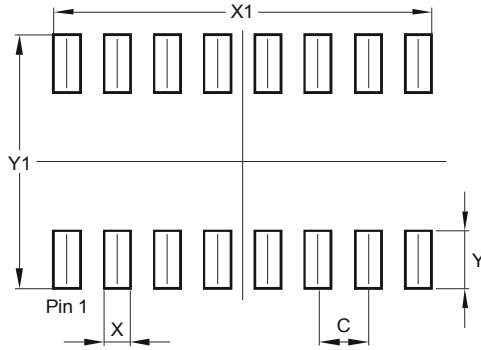


| TSSOP-16 | | | |
|----------------------|----------|------|-------|
| Dim | Min | Max | Typ |
| A | - | 1.08 | - |
| A1 | 0.05 | 0.15 | - |
| A2 | 0.80 | 0.93 | - |
| b | 0.19 | 0.30 | - |
| c | 0.09 | 0.20 | - |
| D | 4.90 | 5.10 | - |
| E | 6.40 BSC | | |
| E1 | 4.30 | 4.50 | - |
| e | 0.65 BSC | | |
| L | 0.45 | 0.75 | - |
| L1 | 1.00 REF | | |
| L2 | 0.25 BSC | | |
| R | 0.09 | - | - |
| R1 | 0.09 | - | - |
| X | - | - | 1.350 |
| Y | - | - | 1.050 |
| θ | 0° | 8° | - |
| θ1 | 5° | 15° | - |
| θ2 | 0° | - | - |
| All Dimensions in mm | | | |

Suggested Pad Layout

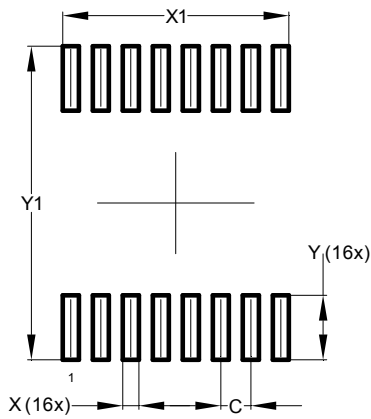
Please see AP02001 at <http://www.diodes.com/datasheets/ap02001.pdf> for the latest version.

Package Type: SO-16



| Dimensions | Value (in mm) |
|------------|---------------|
| C | 1.270 |
| X | 0.670 |
| X1 | 9.560 |
| Y | 1.450 |
| Y1 | 6.400 |

Package Type: TSSOP-16



| Dimensions | Value (in mm) |
|------------|---------------|
| C | 0.650 |
| X | 0.350 |
| X1 | 4.900 |
| Y | 1.400 |
| Y1 | 6.800 |

IMPORTANT NOTICE

DIODES INCORPORATED MAKES NO WARRANTY OF ANY KIND, EXPRESS OR IMPLIED, WITH REGARDS TO THIS DOCUMENT, INCLUDING, BUT NOT LIMITED TO, THE IMPLIED WARRANTIES OF MERCHANTABILITY AND FITNESS FOR A PARTICULAR PURPOSE (AND THEIR EQUIVALENTS UNDER THE LAWS OF ANY JURISDICTION).

Diodes Incorporated and its subsidiaries reserve the right to make modifications, enhancements, improvements, corrections or other changes without further notice to this document and any product described herein. Diodes Incorporated does not assume any liability arising out of the application or use of this document or any product described herein; neither does Diodes Incorporated convey any license under its patent or trademark rights, nor the rights of others. Any Customer or user of this document or products described herein in such applications shall assume all risks of such use and will agree to hold Diodes Incorporated and all the companies whose products are represented on Diodes Incorporated website, harmless against all damages.

Diodes Incorporated does not warrant or accept any liability whatsoever in respect of any products purchased through unauthorized sales channel.

Should Customers purchase or use Diodes Incorporated products for any unintended or unauthorized application, Customers shall indemnify and hold Diodes Incorporated and its representatives harmless against all claims, damages, expenses, and attorney fees arising out of, directly or indirectly, any claim of personal injury or death associated with such unintended or unauthorized application.

Products described herein may be covered by one or more United States, international or foreign patents pending. Product names and markings noted herein may also be covered by one or more United States, international or foreign trademarks.

This document is written in English but may be translated into multiple languages for reference. Only the English version of this document is the final and determinative format released by Diodes Incorporated.

LIFE SUPPORT

Diodes Incorporated products are specifically not authorized for use as critical components in life support devices or systems without the express written approval of the Chief Executive Officer of Diodes Incorporated. As used herein:

A. Life support devices or systems are devices or systems which:

1. are intended to implant into the body, or
2. support or sustain life and whose failure to perform when properly used in accordance with instructions for use provided in the labeling can be reasonably expected to result in significant injury to the user.

B. A critical component is any component in a life support device or system whose failure to perform can be reasonably expected to cause the failure of the life support device or to affect its safety or effectiveness.

Customers represent that they have all necessary expertise in the safety and regulatory ramifications of their life support devices or systems, and acknowledge and agree that they are solely responsible for all legal, regulatory and safety-related requirements concerning their products and any use of Diodes Incorporated products in such safety-critical, life support devices or systems, notwithstanding any devices- or systems-related information or support that may be provided by Diodes Incorporated. Further, Customers must fully indemnify Diodes Incorporated and its representatives against any damages arising out of the use of Diodes Incorporated products in such safety-critical, life support devices or systems.

Copyright © 2013, Diodes Incorporated

www.diodes.com



Компания «ЭлектроПласт» предлагает заключение долгосрочных отношений при поставках импортных электронных компонентов на взаимовыгодных условиях!

Наши преимущества:

- Оперативные поставки широкого спектра электронных компонентов отечественного и импортного производства напрямую от производителей и с крупнейших мировых складов;
- Поставка более 17-ти миллионов наименований электронных компонентов;
- Поставка сложных, дефицитных, либо снятых с производства позиций;
- Оперативные сроки поставки под заказ (от 5 рабочих дней);
- Экспресс доставка в любую точку России;
- Техническая поддержка проекта, помощь в подборе аналогов, поставка прототипов;
- Система менеджмента качества сертифицирована по Международному стандарту ISO 9001;
- Лицензия ФСБ на осуществление работ с использованием сведений, составляющих государственную тайну;
- Поставка специализированных компонентов (Xilinx, Altera, Analog Devices, Intersil, Interpoint, Microsemi, Aeroflex, Peregrine, Syfer, Eurofarad, Texas Instrument, Miteq, Cobham, E2V, MA-COM, Hittite, Mini-Circuits, General Dynamics и др.);

Помимо этого, одним из направлений компании «ЭлектроПласт» является направление «Источники питания». Мы предлагаем Вам помощь Конструкторского отдела:

- Подбор оптимального решения, техническое обоснование при выборе компонента;
- Подбор аналогов;
- Консультации по применению компонента;
- Поставка образцов и прототипов;
- Техническая поддержка проекта;
- Защита от снятия компонента с производства.



Как с нами связаться

Телефон: 8 (812) 309 58 32 (многоканальный)

Факс: 8 (812) 320-02-42

Электронная почта: org@eplast1.ru

Адрес: 198099, г. Санкт-Петербург, ул. Калинина, дом 2, корпус 4, литера А.