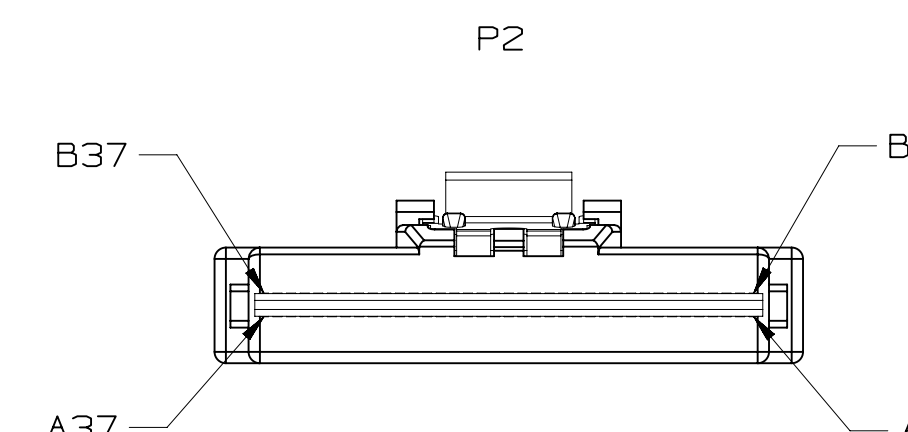
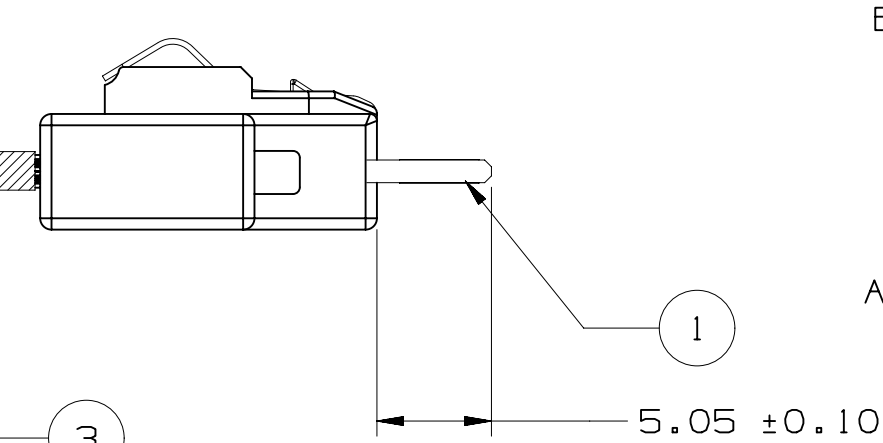
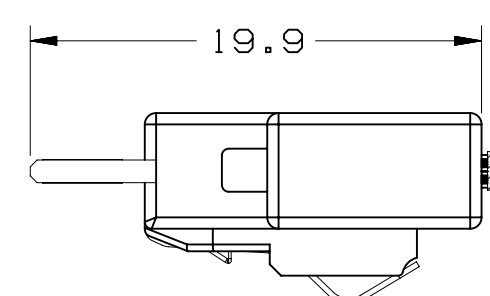
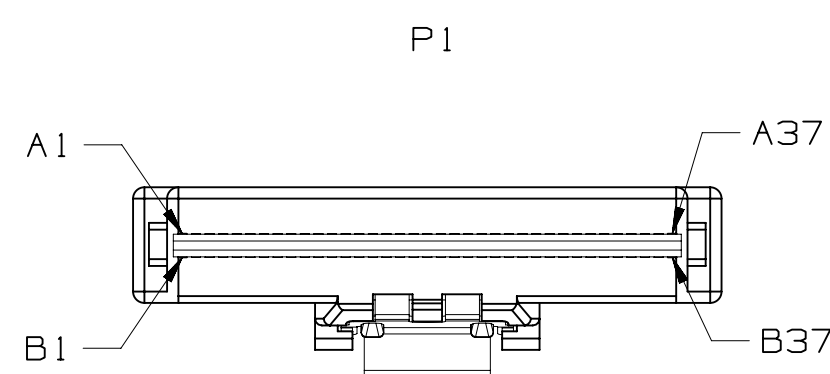
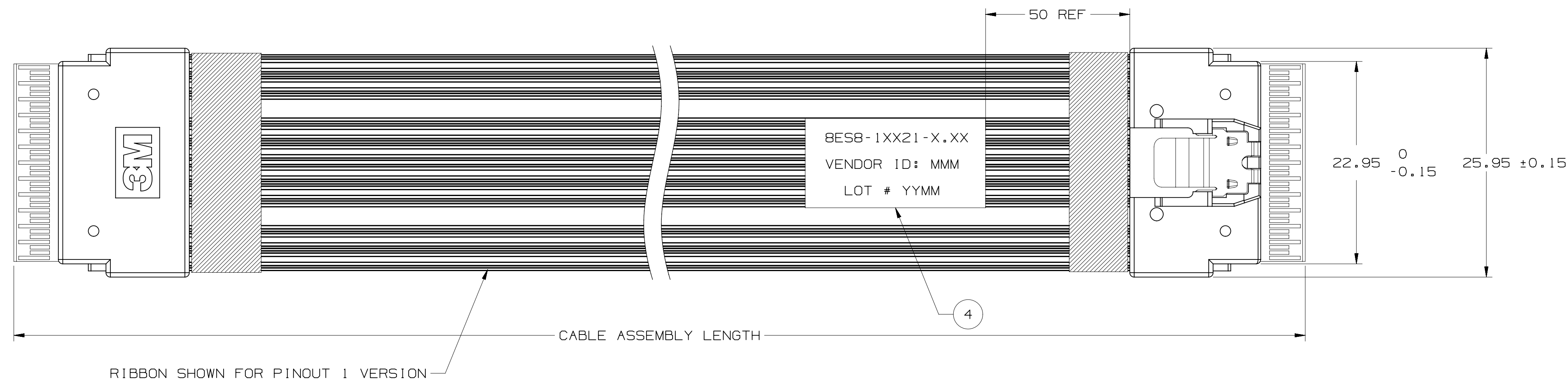


3M™ SlimLine Twin Axial Cable Assembly (SFF-8654) for SAS and PCIe applications



NOTES:

- REGULATORY INFORMATION:
EU ROHS COMPLIANT. ALL MATERIAL COMPONENTS AND MANUFACTURING PROCESSES FOR THIS PRODUCT COMPLY WITH ROHS 2015/863. SEE [HTTP://SOLUTIONS.3M.COM/WPS/PORTAL/3M/EN_US/ROHS-CERT/HOME/ROHSSEARCH/ FOR ROHS/REACH DECLARATION](http://solutions.3m.com/wps/portal/3m/en_us/rohs-cert/home/rohssearch/for_rohs/reach_declaration)
- PADLECARD PLATING:
30μ" MIN. GOLD PLATING
50μ" MIN. NICKEL UNDERPLATING.
P/N: 78-9102-4550-1 (8P+10SB)
P/N: 78-9102-5348-9 (12P)
- SLIMLINE CABLE PLUG DIMENSIONS ARE DESIGNED TO SFF-8654.
- UNLESS OTHERWISE NOTED, REFERENCES TO INDUSTRY SPECIFICATIONS ARE INTENDED TO INDICATE SUBSTANTIAL COMPLIANCE TO THE MATERIAL ELEMENTS OF THE SPECIFICATION. SUCH REFERENCE SHOULD NOT BE CONSTRUED AS A GUARANTEE OF COMPLIANCE TO ALL REQUIREMENTS IN A GIVEN SPECIFICATION.
- CLOTH TAPE WRAPPED AROUND CABLE RIBBONS AT BACK OF EACH CONNECTOR. ALSO, UP TO TWO ADDITIONAL TAPE PIECES WILL BE WRAPPED AROUND THE TWO CABLE RIBBONS SPACED EQUIDISTANT FROM THE CONNECTOR ENDS AND EACH OTHER, DEPENDING ON ASS'Y LENGTH (L):
L <= 0.2M: NO ADDITIONAL TAPE
0.2M < L <= 0.6M: 1 TAPE WRAP
0.6M < L <= 1.0M: 2 TAPE WRAP
- PRODUCT SPECIFICATION: PS-240.
- TWO RIBBONS OF 3M RIBBON TWIN AXIAL CABLE.
PINOUT 1:
SL8801/26-1JBK5-00
85 OHM, 30AWG, 8PR, VW1
10 SIDEBANDS, GND TUCKED-IN.
PINOUT 2:
SL8802/24-AJBN5-00
85 OHM, 30AWG, 12PR, VW1
GND TUCKED-IN.
- THIS CABLE CONSTRUCTION HAS A THIN ALUMINUM LAYER AT EACH EDGE. USER SHOULD EVALUATE ITS USE IN THEIR APPLICATION AND, IF NECESSARY, INSULATING TAPE MAY BE APPLIED TO COVER THE ALUMINUM LAYER, AS USER DEEMS APPROPRIATE.
- LENGTH TOLERANCE:
±6 MM FOR LENGTHS 0.1 TO 0.4 METERS,
±10 MM FOR LENGTHS 0.4 TO 1.0 METERS.

PINOUT 1

| P1 | | P2 |
|-----|------|-----|
| A1 | GND | B1 |
| A2 | RX0+ | B2 |
| A3 | RX0- | B3 |
| A4 | GND | B4 |
| A5 | RX1+ | B5 |
| A6 | RX1- | B6 |
| A7 | GND | B7 |
| A8 | SB | B8 |
| A9 | SB | B9 |
| A10 | SB | B10 |
| A11 | SB | B11 |
| A12 | SB | B12 |
| A13 | GND | B13 |
| A14 | RX2+ | B14 |
| A15 | RX2- | B15 |
| A16 | GND | B16 |
| A17 | RX3+ | B17 |
| A18 | RX3- | B18 |
| A19 | GND | B19 |
| A20 | RX4+ | B20 |
| A21 | RX4- | B21 |
| A22 | GND | B22 |
| A23 | RX5+ | B23 |
| A24 | RX5- | B24 |
| A25 | GND | B25 |
| A26 | SB | B26 |
| A27 | SB | B27 |
| A28 | SB | B28 |
| A29 | SB | B29 |
| A30 | SB | B30 |
| A31 | GND | B31 |
| A32 | RX6+ | B32 |
| A33 | RX6- | B33 |
| A34 | GND | B34 |
| A35 | RX7+ | B35 |
| A36 | RX7- | B36 |
| A37 | GND | B37 |

| P1 | | P2 |
|-----|------|-----|
| B1 | GND | A1 |
| B2 | TX0+ | A2 |
| B3 | TX0- | A3 |
| B4 | GND | A4 |
| B5 | TX1+ | A5 |
| B6 | TX1- | A6 |
| B7 | GND | A7 |
| B8 | SB | A8 |
| B9 | SB | A9 |
| B10 | SB | A10 |
| B11 | SB | A11 |
| B12 | SB | A12 |
| B13 | GND | A13 |
| B14 | TX2+ | A14 |
| B15 | TX2- | A15 |
| B16 | GND | A16 |
| B17 | TX3+ | A17 |
| B18 | TX3- | A18 |
| B19 | GND | A19 |
| B20 | TX4+ | A20 |
| B21 | TX4- | A21 |
| B22 | GND | A22 |
| B23 | TX5+ | A23 |
| B24 | TX5- | A24 |
| B25 | GND | A25 |
| B26 | SB | A26 |
| B27 | SB | A27 |
| B28 | SB | A28 |
| B29 | SB | A29 |
| B30 | SB | A30 |
| B31 | GND | A31 |
| B32 | TX6+ | A32 |
| B33 | TX6- | A33 |
| B34 | GND | A34 |
| B35 | TX7+ | A35 |
| B36 | TX7- | A36 |
| B37 | GND | A37 |

PINOUT 2

| P1 | | P2 |
|-----|------|-----|
| A1 | GND | B1 |
| A2 | RX0+ | B2 |
| A3 | RX0- | B3 |
| A4 | GND | B4 |
| A5 | RX1+ | B5 |
| A6 | RX1- | B6 |
| A7 | GND | B7 |
| A8 | SB+ | B8 |
| A9 | SB- | B9 |
| A10 | GND | B10 |
| A11 | SB+ | B11 |
| A12 | SB- | B12 |
| A13 | GND | B13 |
| A14 | RX2+ | B14 |
| A15 | RX2- | B15 |
| A16 | GND | B16 |
| A17 | RX3+ | B17 |
| A18 | RX3- | B18 |
| A19 | GND | B19 |
| A20 | RX4+ | B20 |
| A21 | RX4- | B21 |
| A22 | GND | B22 |
| A23 | RX5+ | B23 |
| A24 | RX5- | B24 |
| A25 | GND | B25 |
| A26 | SB+ | B26 |
| A27 | SB- | B27 |
| A28 | GND | B28 |
| A29 | SB+ | B29 |
| A30 | SB- | B30 |
| A31 | GND | B31 |
| A32 | RX6+ | B32 |
| A33 | RX6- | B33 |
| A34 | GND | B34 |
| A35 | RX7+ | B35 |
| A36 | RX7- | B36 |
| A37 | GND | B37 |

| P1 | | P2 |
|-----|------|-----|
| B1 | GND | A1 |
| B2 | TX0+ | A2 |
| B3 | TX0- | A3 |
| B4 | GND | A4 |
| B5 | TX1+ | A5 |
| B6 | TX1- | A6 |
| B7 | GND | A7 |
| B8 | SB+ | A8 |
| B9 | SB- | A9 |
| B10 | GND | A10 |
| B11 | SB+ | A11 |
| B12 | SB- | A12 |
| B13 | GND | A13 |
| B14 | TX2+ | A14 |
| B15 | TX2- | A15 |
| B16 | GND | A16 |
| B17 | TX3+ | A17 |
| B18 | TX3- | A18 |
| B19 | GND | A19 |
| B20 | TX4+ | A20 |
| B21 | TX4- | A21 |
| B22 | GND | A22 |
| B23 | TX5+ | A23 |
| B24 | TX5- | A24 |
| B25 | GND | A25 |
| B26 | SB+ | A26 |
| B27 | SB- | A27 |
| B28 | GND | A28 |
| B29 | SB+ | A29 |
| B30 | SB- | A30 |
| B31 | GND | A31 |
| B32 | TX6+ | A32 |
| B33 | TX6- | A33 |
| B34 | GND | A34 |
| B35 | TX7+ | A35 |
| B36 | TX7- | A36 |
| B37 | GND | A37 |

NOTE: ALL GND SIGNALS ARE TIED TOGETHER IN THE PADLECARDS AT EACH END OF ASSEMBLY

8ES8-1XX2X-X.XX
VENDOR ID: MMM
LOT # YYMM

LABEL INFORMATION

| ITEM | SPECIFICATION | QUANTITY |
|------|--------------------------------------|---------------|
| 4 | LABEL , PART NUMBER | 1X |
| 3 | ACETATE TAPE | AS REQUIRED |
| 2 | TWIN AX CABLE , REFER TO NOTES | AS PER LENGTH |
| 1 | SLIMSAS PLUG STRAIGHT OR RIGHT ANGLE | 2X |

3M PART NUMBER : 8ES8-1XX2X-X.XX

AA- PINOUT 1
DF- PINOUT 2

- 1 - ST-ST Plug Assembly.
- 2 - RA-ST Plug Assembly.
- 3 - RA-RA Plug Assembly.

LENGTH IN METERS 0.10 TO 1.00.

| DESIGN REFERENCE | NEXT ASSEMBLY | REV | ECO | ISSUE DATE AND DESCRIPTION | DRFT | CHKD |
|------------------|---------------|-----|-----|----------------------------|------|-------------|
| US882 | US8300 | | | AUG 23,2016 Liu JG | | AUG 23,2016 |
| | | | | AUG 23,2016 Saujit Bandhu | | AUG 23,2016 |

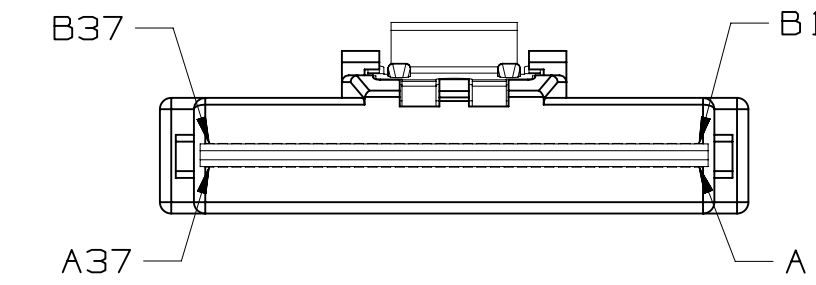
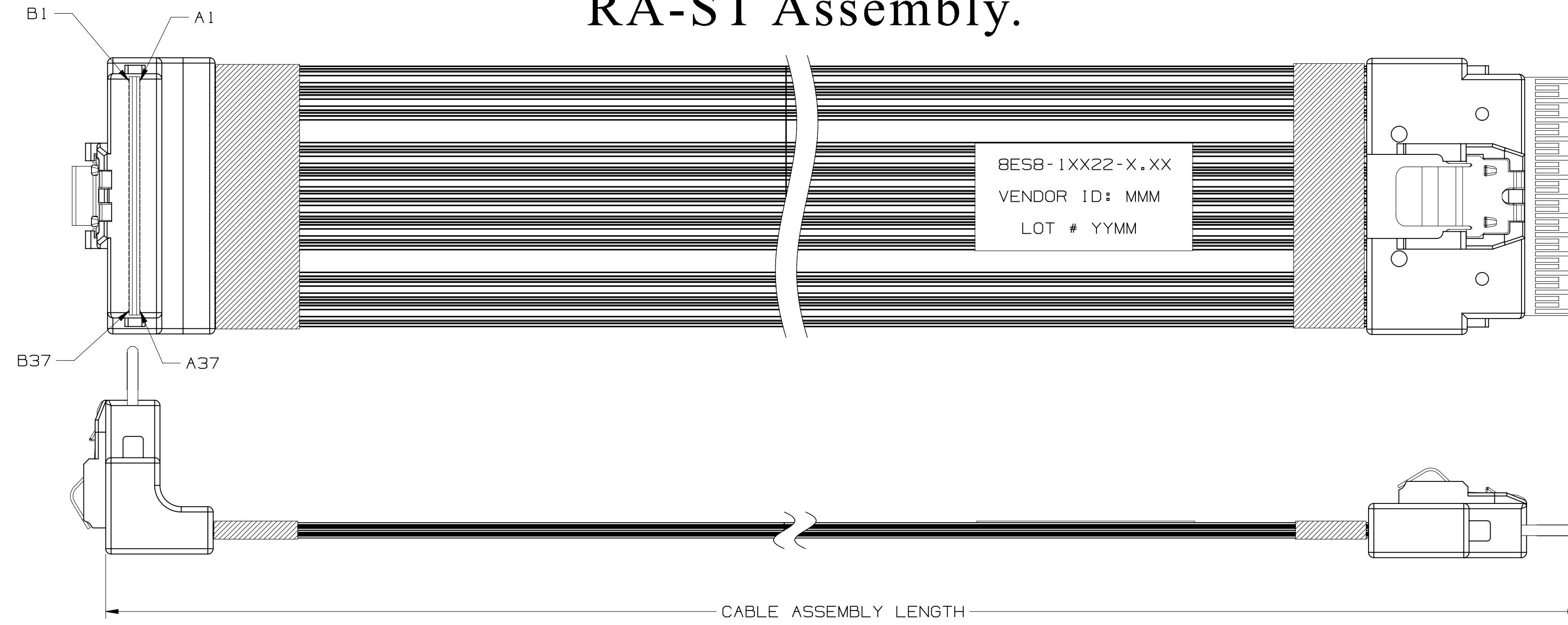
| | | | | |
|---|-------|-------------|-----|-----|
| B | 73021 | APR 28,2017 | RAO | RAO |
| A | 69548 | JAN 10,2017 | RAO | RAO |

| | | |
|---------------------------|---------------------------------|----------------------------|
| DO NOT SCALE DRAWING | SCALE | TOLERANCES EXCEPT AS NOTED |
| THIRD ANGLE PROJECTION | INTERPRET PER ASME Y14.5 - 2009 | MILLIMETERS 0 ±.1 |
| MAX SURFACE ROUGHNESS 125 | ALL SURFACES MARKED ONLY | INCHES .00 ±.005 |
| | | ANGLES ±1° |

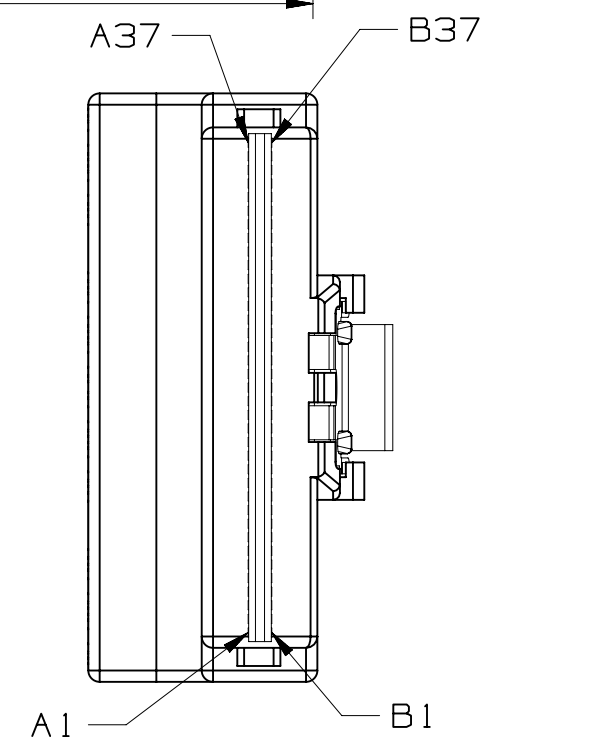
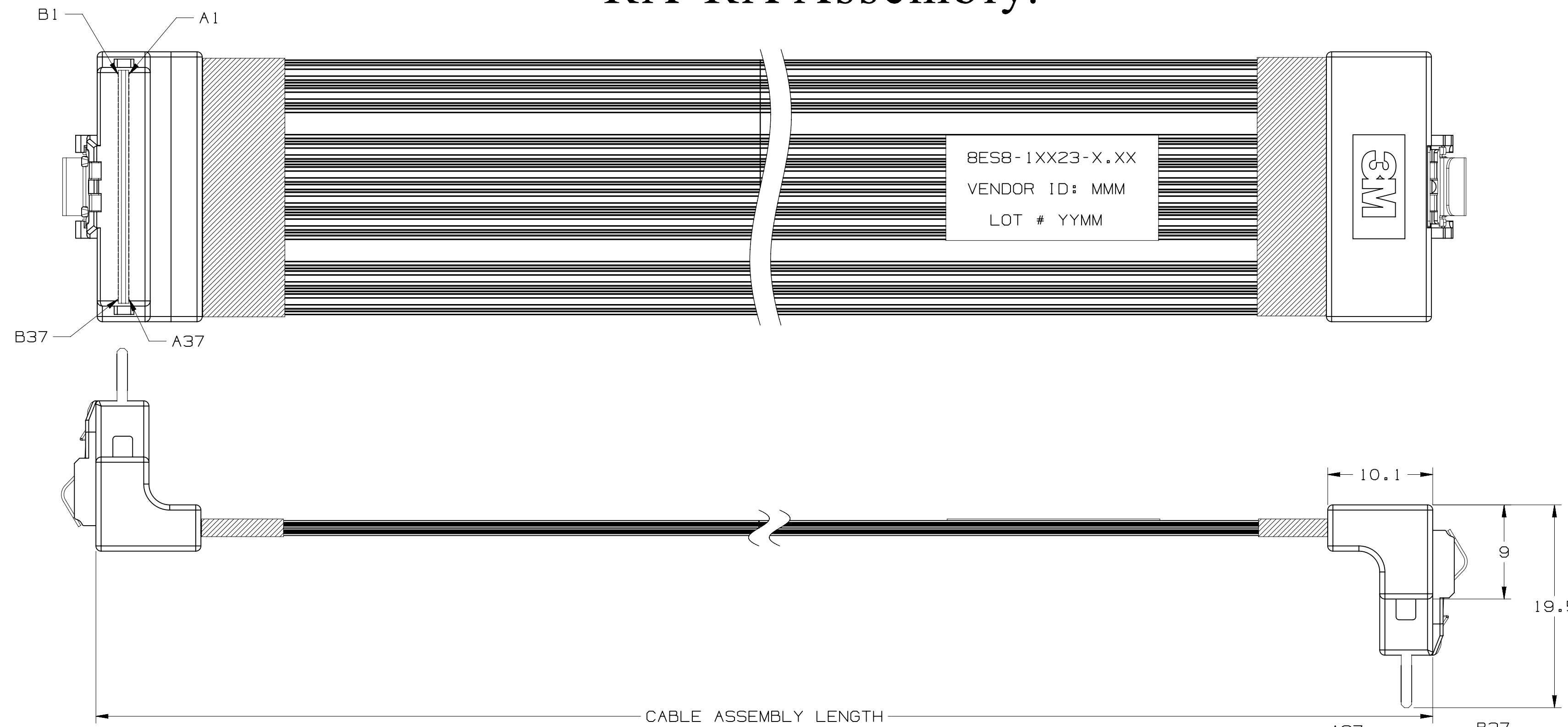
| | |
|---|-------------|
| 3M Center St. Paul, MN 55144 © 3M COPYRIGHT 2017 This document and the information it contains are 3M property and may not be reproduced or further distributed without 3M permission, or used or disclosed other than for 3M authorized purposes. All rights reserved. | |
| TITLE CUSTOMER DRAWING SLIMLINE 85 OHM X8 30AWG CABLE ASSY | |
| CAGE NUMBER | DRAWING NO. |
| D78-5100-2665-7 | B |
| MODEL | REV. |
| | B |

3M™ SlimLine Twin Axial Cable Assembly (SFF-8654) for SAS and PCIe applications

RA-ST Assembly.



RA-RA Assembly.



Technical Information: The technical information, recommendations and other statements contained in this document are based upon tests or experience that 3M believes are reliable, but the accuracy or completeness of such information is not guaranteed.

Product Use: Many factors beyond 3M's control and uniquely within user's knowledge and control can affect the use and performance of a 3M product in a particular application. Given the variety of factors that can affect the use and performance of a 3M product, user is solely responsible for evaluating the 3M product and determining whether it is fit for a particular purpose and suitable for user's method of application.

Warranty, Limited Remedy, and Disclaimer: Unless an additional warranty is specifically stated on the applicable 3M product packaging or product literature, 3M warrants that each 3M product meets the applicable 3M product specification at the time 3M ships the product. 3M MAKES NO OTHER WARRANTIES OR CONDITIONS, EXPRESS OR IMPLIED, INCLUDING, BUT NOT LIMITED TO, ANY IMPLIED WARRANTY OR CONDITION OF MERCHANTABILITY OR FITNESS FOR A PARTICULAR PURPOSE OR ANY IMPLIED WARRANTY OR CONDITION ARISING OUT OF A COURSE OF DEALING, CUSTOM OR USAGE OF TRADE. If the 3M product does not conform to this warranty, then the sole and exclusive remedy is, at 3M's option, replacement of the 3M product or refund of the purchase price.

Limitation of Liability: Except where prohibited by law, 3M will not be liable for any loss or damage arising from the 3M product, whether direct, indirect, special, incidental or consequential, regardless of the legal theory asserted, including warranty, contract, negligence or strict liability.

| | | | | |
|-----|-------|----------------------------|------|------|
| B | 73021 | APR 28, 2017 | RAO | RAO |
| A | 69548 | JAN 10, 2017 | Rao | Rao |
| REV | ECO | ISSUE DATE AND DESCRIPTION | DRFT | CHKD |
| | | DATE | DATE | DATE |
| | | DATE | DATE | DATE |

| | |
|---------------------------------|----------------------------|
| DESIGN REFERENCE | NEXT ASSEMBLY |
| ACCESS CODES | US882 US8300 |
| DIVISION | DIVISION CODE |
| DO NOT SCALE DRAWING | SCALE |
| THIRD ANGLE PROJECTION | TOLERANCES EXCEPT AS NOTED |
| INTERPRET PER ASME Y14.5 - 2009 | TOLERANCES EXCEPT AS NOTED |
| MAX SURFACE ROUGHNESS | TOLERANCES EXCEPT AS NOTED |
| 125 | TOLERANCES EXCEPT AS NOTED |
| ALL SURFACES | TOLERANCES EXCEPT AS NOTED |
| MARKED ONLY | TOLERANCES EXCEPT AS NOTED |

| | | | |
|---|------|---|------------|
| | | © 3M COPYRIGHT 2017 This document and the information it contains are 3M property and may not be reproduced or further distributed without 3M permission, or used or disclosed other than for 3M authorized purposes. All rights reserved. | |
| TITLE CUSTOMER DRAWING SLIMLINE 85 OHM X8 30AWG CABLE ASSY | | | |
| CAGE NUMBER | SIZE | DRAWING NO. | REV. |
| D | | 78-5100-2665-7 | B |
| MODEL | DET | ISTS | YES NO |
| | | | SHT 2 OF 2 |



Компания «ЭлектроПласт» предлагает заключение долгосрочных отношений при поставках импортных электронных компонентов на взаимовыгодных условиях!

Наши преимущества:

- Оперативные поставки широкого спектра электронных компонентов отечественного и импортного производства напрямую от производителей и с крупнейших мировых складов;
- Поставка более 17-ти миллионов наименований электронных компонентов;
- Поставка сложных, дефицитных, либо снятых с производства позиций;
- Оперативные сроки поставки под заказ (от 5 рабочих дней);
- Экспресс доставка в любую точку России;
- Техническая поддержка проекта, помощь в подборе аналогов, поставка прототипов;
- Система менеджмента качества сертифицирована по Международному стандарту ISO 9001;
- Лицензия ФСБ на осуществление работ с использованием сведений, составляющих государственную тайну;
- Поставка специализированных компонентов (Xilinx, Altera, Analog Devices, Intersil, Interpoint, Microsemi, Aeroflex, Peregrine, Syfer, Eurofarad, Texas Instrument, Miteq, Cobham, E2V, MA-COM, Hittite, Mini-Circuits, General Dynamics и др.);

Помимо этого, одним из направлений компании «ЭлектроПласт» является направление «Источники питания». Мы предлагаем Вам помощь Конструкторского отдела:

- Подбор оптимального решения, техническое обоснование при выборе компонента;
- Подбор аналогов;
- Консультации по применению компонента;
- Поставка образцов и прототипов;
- Техническая поддержка проекта;
- Защита от снятия компонента с производства.



Как с нами связаться

Телефон: 8 (812) 309 58 32 (многоканальный)

Факс: 8 (812) 320-02-42

Электронная почта: org@eplast1.ru

Адрес: 198099, г. Санкт-Петербург, ул. Калинина, дом 2, корпус 4, литера А.