

Precision Wide Supply High Output Drive Low Noise Reference

FEATURES

- **Low Drift:**
 - **A-Grade: 10ppm/°C Max**
 - **B-Grade: 20ppm/°C Max**
- **High Accuracy:**
 - **A-Grade: ±0.05% Max**
 - **B-Grade: ±0.10% Max**
- **Low Noise: 1.6ppm_{p-p} (0.1Hz to 10Hz)**
- **Wide Supply Range to 36V**
- **Low Thermal Hysteresis: LS8 15ppm (–40°C to 125°C)**
- **Long Term Drift: (LS8) 15ppm/√kHr**
- **Line Regulation (Up to 36V): 5ppm/V Max**
- **Low Dropout Voltage: 100mV Max**
- **Sinks and Sources ±10mA**
- **Load Regulation at 10mA: 8ppm/mA Max**
- **Fully Specified from –55°C to 125°C**
- **Available Output Voltage Options: 1.25V, 2.048V, 2.5V, 3V, 3.3V, 4.096V, 5V**
- **Low Profile (1mm) ThinSOT™ Package and 5mm × 5mm Surface Mount Hermetic Package**

APPLICATIONS

- Automotive Control and Monitoring
- High Temperature Industrial
- High Resolution Data Acquisition Systems
- Instrumentation and Process Control
- Precision Regulators
- Medical Equipment

DESCRIPTION

The **LT®6654** is a family of small precision voltage references that offers high accuracy, low noise, low drift, low dropout and low power. The LT6654 operates from voltages up to 36V and is fully specified from –55°C to 125°C. A buffered output ensures ±10mA of output drive with low output impedance and precise load regulation. These features, in combination, make the LT6654 ideal for portable equipment, industrial sensing and control, and automotive applications.

The LT6654 was designed with advanced manufacturing techniques and curvature compensation to provide 10ppm/°C temperature drift and 0.05% initial accuracy. Low thermal hysteresis ensures high accuracy and 1.6ppm_{p-p} noise minimizes measurement uncertainty. Since the LT6654 can also sink current, it can operate as a low power negative voltage reference with the same precision as a positive reference.

The LT6654 references are offered in 6-lead SOT-23 package and an 8-lead LS8 package. The LS8 is a 5mm × 5mm surface mount hermetic package that provides outstanding stability.

LT, LT, LTC, LTM, Linear Technology and the Linear logo are registered trademarks and ThinSOT is a trademark of Analog Devices, Inc. All other trademarks are the property of their respective owners.

TYPICAL APPLICATION



LT6654

ABSOLUTE MAXIMUM RATINGS (Note 1)

| | | | |
|-------------------------------------|--------------------------|---|----------------|
| Input Voltage V_{IN} to GND | -0.3V to 38V | Operating Temperature Range | -55°C to 125°C |
| Output Voltage V_{OUT} | -0.3V to $V_{IN} + 0.3V$ | Storage Temperature Range (Note 2)..... | -65°C to 150°C |
| Output Short-Circuit Duration | Indefinite | Lead Temperature (Soldering, 10 sec.) | |
| Specified Temperature Range | | (Note 9)..... | 300°C |
| I-Grade..... | -40°C to 85°C | | |
| H-Grade | -40°C to 125°C | | |
| MP-Grade | -55°C to 125°C | | |

PIN CONFIGURATION



ORDER INFORMATION <http://www.linear.com/product/LT6654#orderinfo>

Lead Free Finish

| TAPE AND REEL (MINI) | TAPE AND REEL | PART MARKING* | PACKAGE DESCRIPTION | SPECIFIED TEMPERATURE RANGE |
|--------------------------|-------------------------|---------------|------------------------|-----------------------------|
| LT6654AIS6-1.25#TRMPBF | LT6654AIS6-1.25#TRPBF | LTFVD | 6-Lead Plastic TSOT-23 | -40°C to 85°C |
| LT6654BIS6-1.25#TRMPBF | LT6654BIS6-1.25#TRPBF | LTFVD | 6-Lead Plastic TSOT-23 | -40°C to 85°C |
| LT6654AHS6-1.25#TRMPBF | LT6654AHS6-1.25#TRPBF | LTFVD | 6-Lead Plastic TSOT-23 | -40°C to 125°C |
| LT6654BHS6-1.25#TRMPBF | LT6654BHS6-1.25#TRPBF | LTFVD | 6-Lead Plastic TSOT-23 | -40°C to 125°C |
| LT6654AMPS6-1.25#TRMPBF | LT6654AMPS6-1.25#TRPBF | LTFVD | 6-Lead Plastic TSOT-23 | -55°C to 125°C |
| LT6654BMPS6-1.25#TRMPBF | LT6654BMPS6-1.25#TRPBF | LTFVD | 6-Lead Plastic TSOT-23 | -55°C to 125°C |
| LT6654AIS6-2.048#TRMPBF | LT6654AIS6-2.048#TRPBF | LTFVF | 6-Lead Plastic TSOT-23 | -40°C to 85°C |
| LT6654BIS6-2.048#TRMPBF | LT6654BIS6-2.048#TRPBF | LTFVF | 6-Lead Plastic TSOT-23 | -40°C to 85°C |
| LT6654AHS6-2.048#TRMPBF | LT6654AHS6-2.048#TRPBF | LTFVF | 6-Lead Plastic TSOT-23 | -40°C to 125°C |
| LT6654BHS6-2.048#TRMPBF | LT6654BHS6-2.048#TRPBF | LTFVF | 6-Lead Plastic TSOT-23 | -40°C to 125°C |
| LT6654AMPS6-2.048#TRMPBF | LT6654AMPS6-2.048#TRPBF | LTFVF | 6-Lead Plastic TSOT-23 | -55°C to 125°C |
| LT6654BMPS6-2.048#TRMPBF | LT6654BMPS6-2.048#TRPBF | LTFVF | 6-Lead Plastic TSOT-23 | -55°C to 125°C |
| LT6654AIS6-2.5#TRMPBF | LT6654AIS6-2.5#TRPBF | LTFJY | 6-Lead Plastic TSOT-23 | -40°C to 85°C |
| LT6654BIS6-2.5#TRMPBF | LT6654BIS6-2.5#TRPBF | LTFJY | 6-Lead Plastic TSOT-23 | -40°C to 85°C |

ORDER INFORMATION <http://www.linear.com/product/LT6654#orderinfo>

Lead Free Finish

| TAPE AND REEL (MINI) | TAPE AND REEL | PART MARKING* | PACKAGE DESCRIPTION | SPECIFIED TEMPERATURE RANGE |
|--------------------------|-------------------------|--------------------------------|-----------------------------|-----------------------------|
| LT6654AHS6-2.5#TRMPBF | LT6654AHS6-2.5#TRPBF | LTFJY | 6-Lead Plastic TSOT-23 | -40°C to 125°C |
| LT6654BHS6-2.5#TRMPBF | LT6654BHS6-2.5#TRPBF | LTFJY | 6-Lead Plastic TSOT-23 | -40°C to 125°C |
| LT6654AMPS6-2.5#TRMPBF | LT6654AMPS6-2.5#TRPBF | LTFJY | 6-Lead Plastic TSOT-23 | -55°C to 125°C |
| LT6654BMPS6-2.5#TRMPBF | LT6654BMPS6-2.5#TRPBF | LTFJY | 6-Lead Plastic TSOT-23 | -55°C to 125°C |
| LT6654AIS6-3#TRMPBF | LT6654AIS6-3#TRPBF | LTFVG | 6-Lead Plastic TSOT-23 | -40°C to 85°C |
| LT6654BIS6-3#TRMPBF | LT6654BIS6-3#TRPBF | LTFVG | 6-Lead Plastic TSOT-23 | -40°C to 85°C |
| LT6654AHS6-3#TRMPBF | LT6654AHS6-3#TRPBF | LTFVG | 6-Lead Plastic TSOT-23 | -40°C to 125°C |
| LT6654BHS6-3#TRMPBF | LT6654BHS6-3#TRPBF | LTFVG | 6-Lead Plastic TSOT-23 | -40°C to 125°C |
| LT6654AMPS6-3#TRMPBF | LT6654AMPS6-3#TRPBF | LTFVG | 6-Lead Plastic TSOT-23 | -55°C to 125°C |
| LT6654BMPS6-3#TRMPBF | LT6654BMPS6-3#TRPBF | LTFVG | 6-Lead Plastic TSOT-23 | -55°C to 125°C |
| LT6654AIS6-3.3#TRMPBF | LT6654AIS6-3.3#TRPBF | LTFVH | 6-Lead Plastic TSOT-23 | -40°C to 85°C |
| LT6654BIS6-3.3#TRMPBF | LT6654BIS6-3.3#TRPBF | LTFVH | 6-Lead Plastic TSOT-23 | -40°C to 85°C |
| LT6654AHS6-3.3#TRMPBF | LT6654AHS6-3.3#TRPBF | LTFVH | 6-Lead Plastic TSOT-23 | -40°C to 125°C |
| LT6654BHS6-3.3#TRMPBF | LT6654BHS6-3.3#TRPBF | LTFVH | 6-Lead Plastic TSOT-23 | -40°C to 125°C |
| LT6654AMPS6-3.3#TRMPBF | LT6654AMPS6-3.3#TRPBF | LTFVH | 6-Lead Plastic TSOT-23 | -55°C to 125°C |
| LT6654BMPS6-3.3#TRMPBF | LT6654BMPS6-3.3#TRPBF | LTFVH | 6-Lead Plastic TSOT-23 | -55°C to 125°C |
| LT6654AIS6-4.096#TRMPBF | LT6654AIS6-4.096#TRPBF | LTFVJ | 6-Lead Plastic TSOT-23 | -40°C to 85°C |
| LT6654BIS6-4.096#TRMPBF | LT6654BIS6-4.096#TRPBF | LTFVJ | 6-Lead Plastic TSOT-23 | -40°C to 85°C |
| LT6654AHS6-4.096#TRMPBF | LT6654AHS6-4.096#TRPBF | LTFVJ | 6-Lead Plastic TSOT-23 | -40°C to 125°C |
| LT6654BHS6-4.096#TRMPBF | LT6654BHS6-4.096#TRPBF | LTFVJ | 6-Lead Plastic TSOT-23 | -40°C to 125°C |
| LT6654AMPS6-4.096#TRMPBF | LT6654AMPS6-4.096#TRPBF | LTFVJ | 6-Lead Plastic TSOT-23 | -55°C to 125°C |
| LT6654BMPS6-4.096#TRMPBF | LT6654BMPS6-4.096#TRPBF | LTFVJ | 6-Lead Plastic TSOT-23 | -55°C to 125°C |
| LT6654AIS6-5#TRMPBF | LT6654AIS6-5#TRPBF | LTFVK | 6-Lead Plastic TSOT-23 | -40°C to 85°C |
| LT6654BIS6-5#TRMPBF | LT6654BIS6-5#TRPBF | LTFVK | 6-Lead Plastic TSOT-23 | -40°C to 85°C |
| LT6654AHS6-5#TRMPBF | LT6654AHS6-5#TRPBF | LTFVK | 6-Lead Plastic TSOT-23 | -40°C to 125°C |
| LT6654BHS6-5#TRMPBF | LT6654BHS6-5#TRPBF | LTFVK | 6-Lead Plastic TSOT-23 | -40°C to 125°C |
| LT6654AMPS6-5#TRMPBF | LT6654AMPS6-5#TRPBF | LTFVK | 6-Lead Plastic TSOT-23 | -55°C to 125°C |
| LT6654BMPS6-5#TRMPBF | LT6654BMPS6-5#TRPBF | LTFVK | 6-Lead Plastic TSOT-23 | -55°C to 125°C |
| LEAD FREE FINISH† | PART MARKING* | PACKAGE DESCRIPTION | SPECIFIED TEMPERATURE RANGE | |
| LT6654AHL8-2.048#PBF | 542048 | 8-Lead Ceramic LCC (5mm × 5mm) | -40°C to 125°C | |
| LT6654BHL8-2.048#PBF | 542048 | 8-Lead Ceramic LCC (5mm × 5mm) | -40°C to 125°C | |
| LT6654AHL8-2.5#PBF | 665425 | 8-Lead Ceramic LCC (5mm × 5mm) | -40°C to 125°C | |
| LT6654BHL8-2.5#PBF | 665425 | 8-Lead Ceramic LCC (5mm × 5mm) | -40°C to 125°C | |
| LT6654AHL8-4.096#PBF | 544096 | 8-Lead Ceramic LCC (5mm × 5mm) | -40°C to 125°C | |
| LT6654BHL8-4.096#PBF | 544096 | 8-Lead Ceramic LCC (5mm × 5mm) | -40°C to 125°C | |
| LT6654AHL8-5#PBF | 66545 | 8-Lead Ceramic LCC (5mm × 5mm) | -40°C to 125°C | |
| LT6654BHL8-5#PBF | 66545 | 8-Lead Ceramic LCC (5mm × 5mm) | -40°C to 125°C | |

TRM = 500 pieces. *Temperature grades are identified by a label on the shipping container.

Consult LTC Marketing for parts specified with wider operating temperature ranges.

For more information on lead free part marking, go to: <http://www.linear.com/leadfree/>

For more information on tape and reel specifications, go to: <http://www.linear.com/tapeandree/>. Some packages are available in 500 unit reels through designated sales channels with #TRMPBF suffix.

†This product is only offered in trays. For more information go to: <http://www.linear.com/packaging/>

AVAILABLE OPTIONS

| OUTPUT VOLTAGE | INITIAL ACCURACY | TEMPERATURE COEFFICIENT | ORDER PART NUMBER** | SPECIFIED TEMPERATURE RANGE |
|----------------|------------------|-------------------------|---------------------|-----------------------------|
| 1.25V | 0.05% | 10ppm/°C | LT6654AIS6-1.25 | -40°C to 85°C |
| | 0.1% | 20ppm/°C | LT6654BIS6-1.25 | -40°C to 85°C |
| | 0.05% | 10ppm/°C | LT6654AHS6-1.25 | -40°C to 125°C |
| | 0.1% | 20ppm/°C | LT6654BHS6-1.25 | -40°C to 125°C |
| | 0.05% | 10ppm/°C | LT6654AMPS6-1.25 | -55°C to 125°C |
| | 0.1% | 20ppm/°C | LT6654BMPS6-1.25 | -55°C to 125°C |
| 2.048V | 0.05% | 10ppm/°C | LT6654AIS6-2.048 | -40°C to 85°C |
| | 0.1% | 20ppm/°C | LT6654BIS6-2.048 | -40°C to 85°C |
| | 0.05% | 10ppm/°C | LT6654AHS6-2.048 | -40°C to 125°C |
| | 0.05% | 10ppm/°C | LT6654AHL8-2.048 | -40°C to 125°C |
| | 0.1% | 20ppm/°C | LT6654BHS6-2.048 | -40°C to 125°C |
| | 0.1% | 20ppm/°C | LT6654BHLS8-2.048 | -40°C to 125°C |
| | 0.05% | 10ppm/°C | LT6654AMPS6-2.048 | -55°C to 125°C |
| | 0.1% | 20ppm/°C | LT6654BMPS6-2.048 | -55°C to 125°C |
| 2.5V | 0.05% | 10ppm/°C | LT6654AIS6-2.5 | -40°C to 85°C |
| | 0.1% | 20ppm/°C | LT6654BIS6-2.5 | -40°C to 85°C |
| | 0.05% | 10ppm/°C | LT6654AHS6-2.5 | -40°C to 125°C |
| | 0.05% | 10ppm/°C | LT6654AHL8-2.5 | -40°C to 125°C |
| | 0.1% | 20ppm/°C | LT6654BHS6-2.5 | -40°C to 125°C |
| | 0.1% | 20ppm/°C | LT6654BHLS8-2.5 | -40°C to 125°C |
| | 0.05% | 10ppm/°C | LT6654AMPS6-2.5 | -55°C to 125°C |
| | 0.1% | 20ppm/°C | LT6654BMPS6-2.5 | -55°C to 125°C |
| 3V | 0.05% | 10ppm/°C | LT6654AIS6-3 | -40°C to 85°C |
| | 0.1% | 20ppm/°C | LT6654BIS6-3 | -40°C to 85°C |
| | 0.05% | 10ppm/°C | LT6654AHS6-3 | -40°C to 125°C |
| | 0.1% | 20ppm/°C | LT6654BHS6-3 | -40°C to 125°C |
| | 0.05% | 10ppm/°C | LT6654AMPS6-3 | -55°C to 125°C |
| | 0.1% | 20ppm/°C | LT6654BMPS6-3 | -55°C to 125°C |
| 3.3V | 0.05% | 10ppm/°C | LT6654AIS6-3.3 | -40°C to 85°C |
| | 0.1% | 20ppm/°C | LT6654BIS6-3.3 | -40°C to 85°C |
| | 0.05% | 10ppm/°C | LT6654AHS6-3.3 | -40°C to 125°C |
| | 0.1% | 20ppm/°C | LT6654BHS6-3.3 | -40°C to 125°C |
| | 0.05% | 10ppm/°C | LT6654AMPS6-3.3 | -55°C to 125°C |
| | 0.1% | 20ppm/°C | LT6654BMPS6-3.3 | -55°C to 125°C |
| 4.096V | 0.05% | 10ppm/°C | LT6654AIS6-4.096 | -40°C to 85°C |
| | 0.1% | 20ppm/°C | LT6654BIS6-4.096 | -40°C to 85°C |
| | 0.05% | 10ppm/°C | LT6654AHS6-4.096 | -40°C to 125°C |
| | 0.05% | 10ppm/°C | LT6654AHL8-4.096 | -40°C to 125°C |
| | 0.1% | 20ppm/°C | LT6654BHS6-4.096 | -40°C to 125°C |
| | 0.1% | 20ppm/°C | LT6654BHLS8-4.096 | -40°C to 125°C |
| | 0.05% | 10ppm/°C | LT6654AMPS6-4.096 | -55°C to 125°C |
| | 0.1% | 20ppm/°C | LT6654BMPS6-4.096 | -55°C to 125°C |
| 5V | 0.05% | 10ppm/°C | LT6654AIS6-5 | -40°C to 85°C |
| | 0.1% | 20ppm/°C | LT6654BIS6-5 | -40°C to 85°C |
| | 0.05% | 10ppm/°C | LT6654AHS6-5 | -40°C to 125°C |
| | 0.05% | 10ppm/°C | LT6654AHL8-5 | -40°C to 125°C |
| | 0.1% | 20ppm/°C | LT6654BHS6-5 | -40°C to 125°C |
| | 0.1% | 20ppm/°C | LT6654BHLS8-5 | -40°C to 125°C |
| | 0.05% | 10ppm/°C | LT6654AMPS6-5 | -55°C to 125°C |
| | 0.1% | 20ppm/°C | LT6654BMPS6-5 | -55°C to 125°C |

** See the Order Information section for complete part number listing.

ELECTRICAL CHARACTERISTICS The ● denotes the specifications which apply over the full operating temperature range, otherwise specifications are at $T_A = 25^\circ\text{C}$, $C_L = 1\mu\text{F}$ and $V_{IN} = V_{OUT} + 0.5\text{V}$, unless otherwise noted. For LT6654-1.25, $V_{IN} = 2.4\text{V}$, unless otherwise noted.

| PARAMETER | CONDITIONS | | MIN | TYP | MAX | UNITS |
|---|--|--------|----------------|-----|--------------------|--------------------------------|
| Output Voltage Accuracy | LT6654A | | -0.05 | | 0.05 | % |
| | LT6654B | | -0.10 | | 0.10 | % |
| | LT6654AI | ● | -0.175 | | 0.175 | % |
| | LT6654BI | ● | -0.35 | | 0.35 | % |
| | LT6654AH | ● | -0.215 | | 0.215 | % |
| | LT6654BH | ● | -0.43 | | 0.43 | % |
| | LT6654AMP LT6654BMP | ● ● | -0.23 -0.46 | | 0.23 0.46 | % % |
| Output Voltage Temperature Coefficient (Note 3) | LT6654A | ● | | 3 | 10 | ppm/°C |
| | LT6654B | ● | | 10 | 20 | ppm/°C |
| Line Regulation | $V_{OUT} + 0.5\text{V} \leq V_{IN} \leq 36\text{V}$ LT6654-2.048, LT6654-2.5, LT6654-3, LT6654-3.3, LT6654-4.096, LT6654-5 | ● | | 1.2 | 5 | ppm/V ppm/V |
| | $2.4\text{V} \leq V_{IN} \leq 36\text{V}$ LT6654-1.25 | ● | | 1.2 | 5 | ppm/V ppm/V |
| Load Regulation (Note 4) | $I_{OUT(\text{SOURCE})} = 10\text{mA}$ LT6654-2.048, LT6654-2.5, LT6654-3, LT6654-3.3, LT6654-4.096, LT6654-5 | ● | | 3 | 8 | ppm/mA ppm/mA |
| | LT6654-1.25 | ● | | 6 | 15 | ppm/mA ppm/mA |
| | LT6654LS8 | ● | | 10 | 30 | ppm/mA ppm/mA |
| | | ● | | | 45 | ppm/mA |
| Load Regulation (Note 4) | $I_{OUT(\text{SINK})} = 10\text{mA}$ LT6654-2.048, LT6654-2.5, LT6654-3, LT6654-3.3, LT6654-4.096, LT6654-5 | ● | | 9 | 20 | ppm/mA ppm/mA |
| | LT6654-1.25 | ● | | 15 | 25 | ppm/mA ppm/mA |
| | LT6654LS8 | ● | | 30 | 60 | ppm/mA ppm/mA |
| | | ● | | | 90 | ppm/mA |
| Dropout Voltage (Note 5) | $V_{IN} - V_{OUT}$, $\Delta V_{OUT} = 0.1\%$ $I_{OUT} = 0\text{mA}$ LT6654-2.048, LT6654-2.5, LT6654-3, LT6654-3.3, LT6654-4.096, LT6654-5 | ● | | 55 | 100 | mV mV |
| | $I_{OUT(\text{SOURCE})} = 10\text{mA}$ | ● | | | 450 | mV |
| | $I_{OUT(\text{SINK})} = -10\text{mA}$ | ● | | | 50 | mV |
| | | ● | | | | |
| Minimum Input Voltage | LT6654-1.25, $\Delta V_{OUT} = 0.1\%$, $I_{OUT} = 0\text{mA}$ | ● | | 1.5 | 1.6 | V |
| | LT6654-1.25, $\Delta V_{OUT} = 0.1\%$, $I_{OUT} = \pm 10\text{mA}$ | ● | | | 1.8 | V |
| Supply Current | No Load | ● | | 350 | 600 | μA μA |
| Output Short-Circuit Current | Short V_{OUT} to GND | | | 40 | | mA |
| | Short V_{OUT} to V_{IN} | | | 30 | | mA |
| Output Voltage Noise (Note 6) | $0.1\text{Hz} \leq f \leq 10\text{Hz}$ LT6654-1.25 | | | 0.8 | | ppm _{p-p} |
| | LT6654-2.048 | | | 1.0 | | ppm _{p-p} |
| | LT6654-2.5 | | | 1.5 | | ppm _{p-p} |
| | LT6654-3 | | | 1.6 | | ppm _{p-p} |
| | LT6654-3.3 | | | 1.7 | | ppm _{p-p} |
| | LT6654-4.096 | | | 2.0 | | ppm _{p-p} |
| | LT6654-5 | | | 2.2 | | ppm _{p-p} |
| $10\text{Hz} \leq f \leq 1\text{kHz}$ | | | 2.0 | | ppm _{RMS} | |
| Turn-On Time | 0.1% Settling, $C_{LOAD} = 1\mu\text{F}$ | | | 150 | | μs |

ELECTRICAL CHARACTERISTICS

The ● denotes the specifications which apply over the full operating temperature range, otherwise specifications are at $T_A = 25^\circ\text{C}$, $C_L = 1\mu\text{F}$ and $V_{IN} = V_{OUT} + 0.5\text{V}$, unless otherwise noted. For LT6654-1.25, $V_{IN} = 2.4\text{V}$, unless otherwise noted.

| PARAMETER | CONDITIONS | MIN | TYP | MAX | UNITS |
|--|------------|---|-----|-----|--------------------------|
| Long-Term Drift of Output Voltage (Note 7) | LT6654S6 | | 60 | | ppm/ $\sqrt{\text{kHr}}$ |
| | LT6654LS8 | | 15 | | ppm/ $\sqrt{\text{kHr}}$ |
| Hysteresis (Note 8) | S6 | $\Delta T = 0^\circ\text{C}$ to 70°C | | 15 | ppm |
| | | $\Delta T = -40^\circ\text{C}$ to 85°C | | 30 | ppm |
| | | $\Delta T = -40^\circ\text{C}$ to 125°C | | 40 | ppm |
| | | $\Delta T = -55^\circ\text{C}$ to 125°C | | 50 | ppm |
| | LS8 | $\Delta T = 0^\circ\text{C}$ to 70°C | | 3 | ppm |
| | | $\Delta T = -40^\circ\text{C}$ to 85°C | | 11 | ppm |
| | | $\Delta T = -40^\circ\text{C}$ to 125°C | | 15 | ppm |
| | | $\Delta T = -55^\circ\text{C}$ to 125°C | | 20 | ppm |

Note 1: Stresses beyond those listed under Absolute Maximum Ratings may cause permanent damage to the device. Exposure to any Absolute Maximum Rating condition for extended periods may affect device reliability and lifetime.

Note 2: If the parts are stored outside of the specified temperature range, the output may shift due to hysteresis.

Note 3: Temperature coefficient is measured by dividing the maximum change in output voltage by the specified temperature range.

Note 4: Load regulation is measured on a pulse basis from no load to the specified load current. Output changes due to die temperature change must be taken into account separately.

Note 5: Excludes load regulation errors.

Note 6: Peak-to-peak noise is measured with a 1-pole highpass filter at 0.1Hz and 2-pole lowpass filter at 10Hz. The unit is enclosed in a still-air environment to eliminate thermocouple effects on the leads. The test time is 10 seconds. RMS noise is measured on a spectrum analyzer in a shielded environment where the intrinsic noise of the instrument is removed to determine the actual noise of the device.

Note 7: Long-term stability typically has a logarithmic characteristic and therefore, changes after 1000 hours tend to be much smaller than before that time. Total drift in the second thousand hours is normally less than one third that of the first thousand hours with a continuing trend toward reduced drift with time. Long-term stability will also be affected by differential stresses between the IC and the board material created during board assembly.

Note 8: Hysteresis in output voltage is created by package stress that differs depending on whether the IC was previously at a higher or lower temperature. Output voltage is always measured at 25°C , but the IC is cycled to the hot or cold temperature limit before successive measurements. Hysteresis measures the maximum output change for the averages of three hot or cold temperature cycles. For instruments that are stored at well controlled temperatures (within 20 or 30 degrees of operational temperature), it is usually not a dominant error source. Typical hysteresis is the worst-case of 25°C to cold to 25°C or 25°C to hot to 25°C , preconditioned by one thermal cycle.

Note 9: The stated temperature is typical for soldering of the leads during manual rework. For detailed IR reflow recommendations, refer to the Applications Information section.

TYPICAL PERFORMANCE CHARACTERISTICS The characteristic curves are similar across the LT6654 family. Curves from the LT6654-1.25, LT6654-2.5 and the LT6654-5 represent the full range of typical performance of all voltage options. Characteristic curves for other output voltages fall between these curves and can be estimated based on their output.

1.25V Output Voltage Temperature Drift



1.25V Turn-On Characteristics



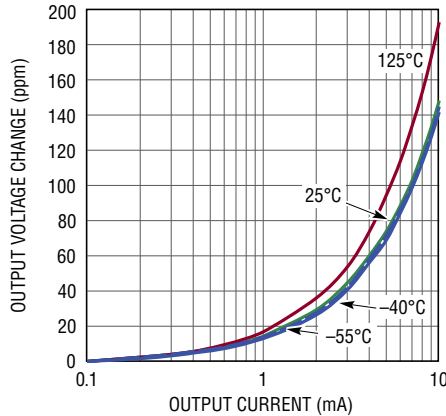
1.25V Output Impedance vs Frequency



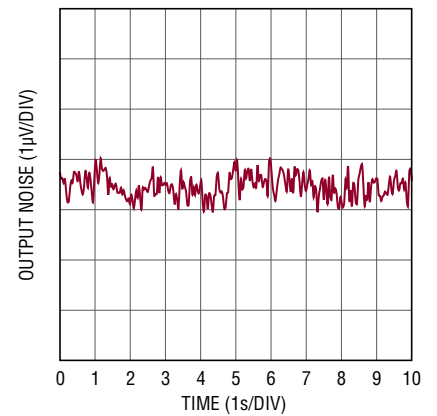
1.25V Load Regulation (Sourcing)



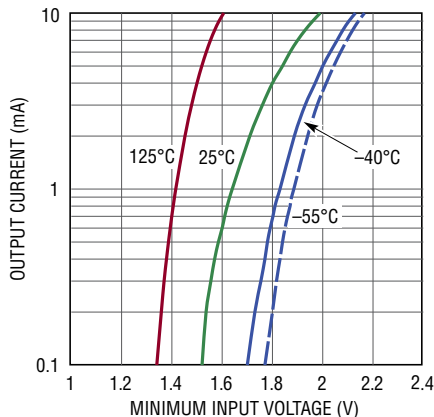
1.25V Load Regulation (Sinking)



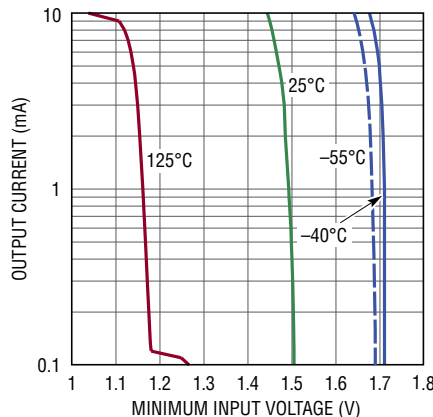
1.25V Output Noise 0.1Hz to 10Hz



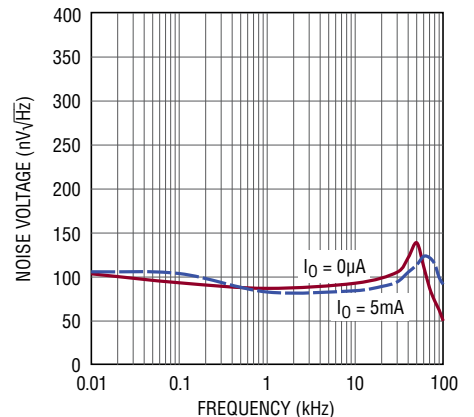
1.25V Minimum Input Voltage (Sourcing)



1.25V Minimum Input Voltage (Sinking)

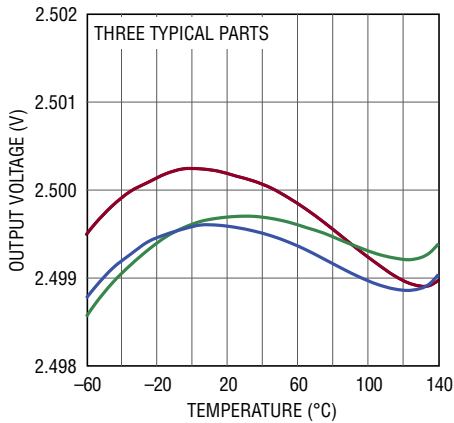


1.2V Output Voltage Noise Spectrum

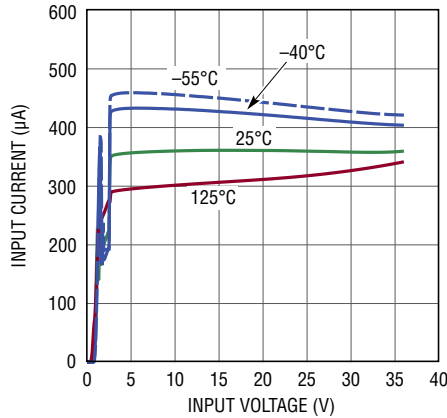


TYPICAL PERFORMANCE CHARACTERISTICS The characteristic curves are similar across the LT6654 family. Curves from the LT6654-1.25, LT6654-2.5 and the LT6654-5 represent the full range of typical performance of all voltage options. Characteristic curves for other output voltages fall between these curves and can be estimated based on their output.

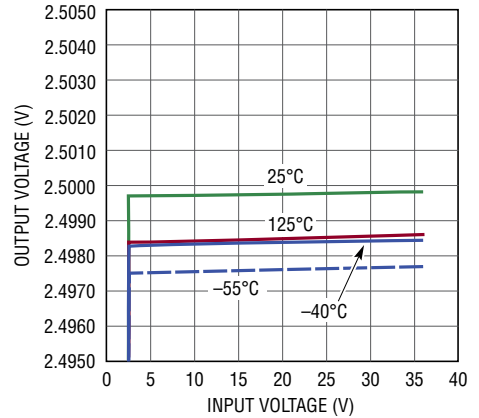
2.5V Output Voltage Temperature Drift



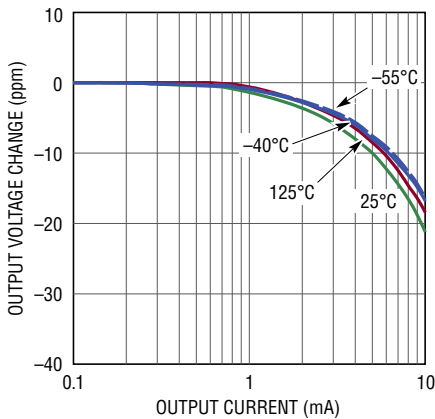
2.5V Supply Current vs Input Voltage



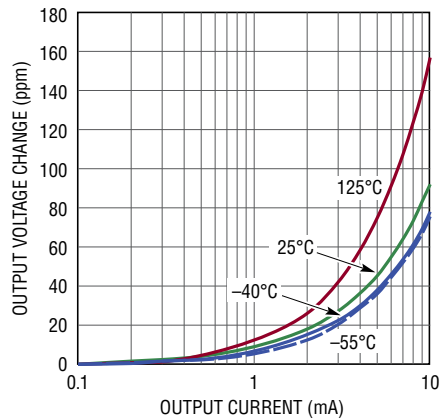
2.5V Line Regulation



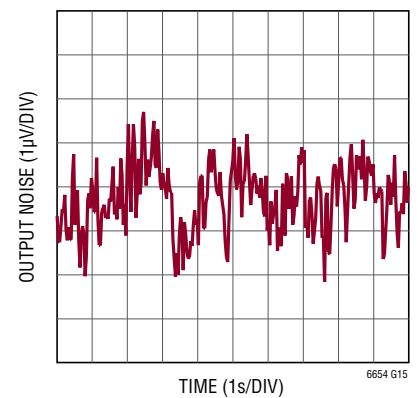
2.5V Load Regulation (Sourcing)



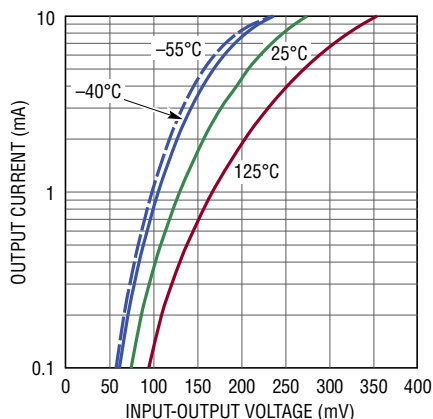
2.5V Load Regulation (Sinking)



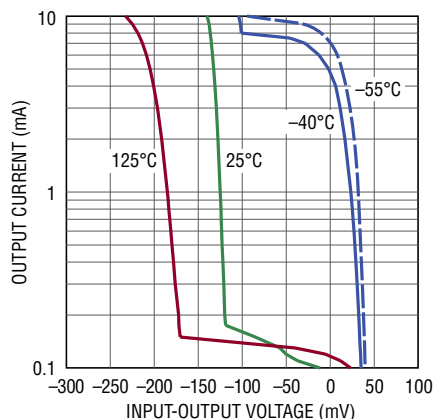
2.5V Output Noise 0.1Hz to 10Hz



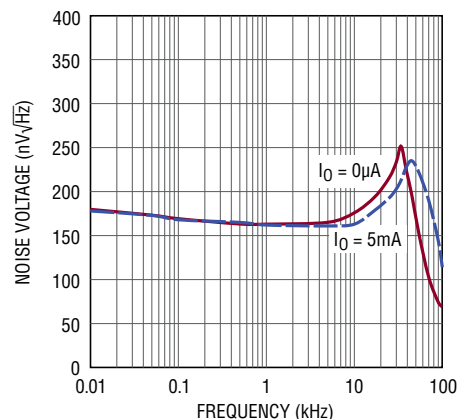
2.5V Minimum V_{IN} to V_{OUT} Differential (Sourcing)



2.5V Minimum V_{IN} to V_{OUT} Differential (Sinking)



2.5V Output Voltage Noise Spectrum



TYPICAL PERFORMANCE CHARACTERISTICS The characteristic curves are similar across the LT6654 family. Curves from the LT6654-1.25, LT6654-2.5 and the LT6654-5 represent the full range of typical performance of all voltage options. Characteristic curves for other output voltages fall between these curves and can be estimated based on their output.

**2.5V Integrated Noise
10Hz to 10kHz**



6654 G19

**2.5V Power Supply Rejection
Ratio vs Frequency**



6654 G20

**2.5V Output Impedance
vs Frequency**



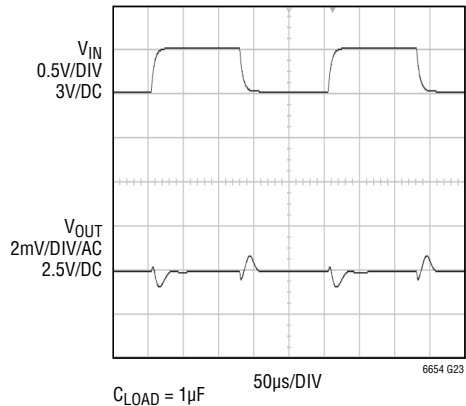
6654 G21

2.5V Turn-On Characteristics



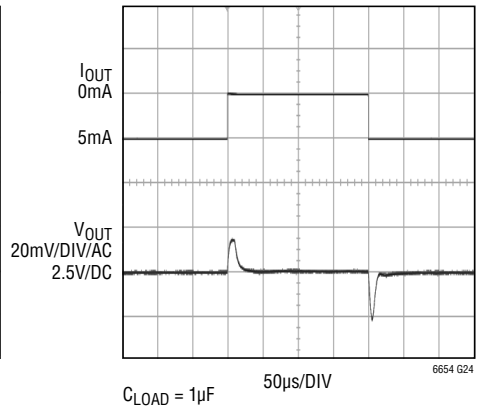
6654 G22

2.5V Line Transient Response



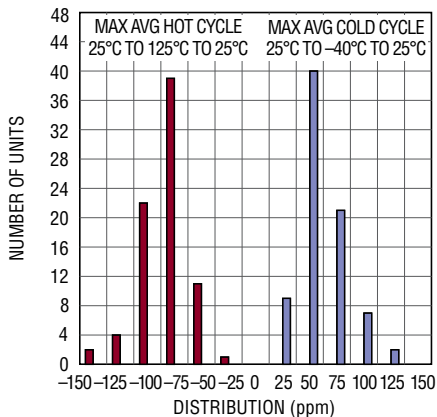
6654 G23

**2.5V Load Transient Response
(Sourcing)**



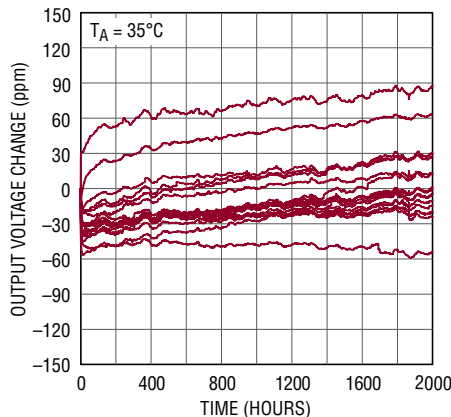
6654 G24

**2.5V Hysteresis Plot for -40°C
and 125°C (TSOT-23)**



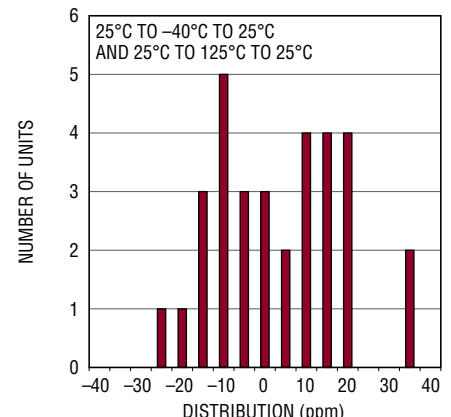
6654 G25

2.5V Long Term Drift (TSOT-23)



6654 G26

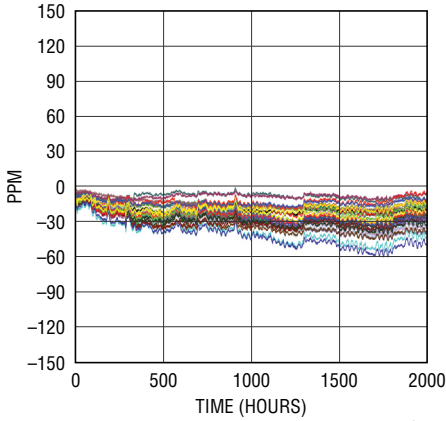
**2.5V Hysteresis Plot for -40°C
and 125°C (LS8)**



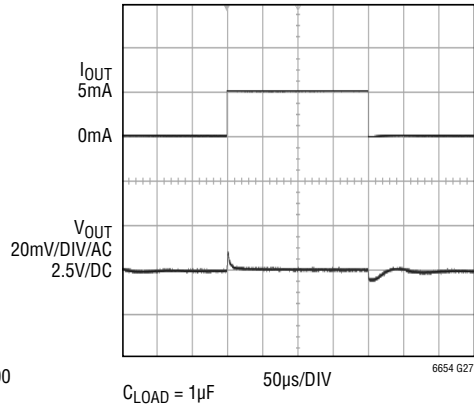
6654 G37

TYPICAL PERFORMANCE CHARACTERISTICS The characteristic curves are similar across the LT6654 family. Curves from the LT6654-1.25, LT6654-2.5 and the LT6654-5 represent the full range of typical performance of all voltage options. Characteristic curves for other output voltages fall between these curves and can be estimated based on their output.

2.5V Long Term Drift (LS8)



2.5V Load Transient Response (Sinking)



5V Output Voltage Temperature Drift



5V Turn-On Characteristics



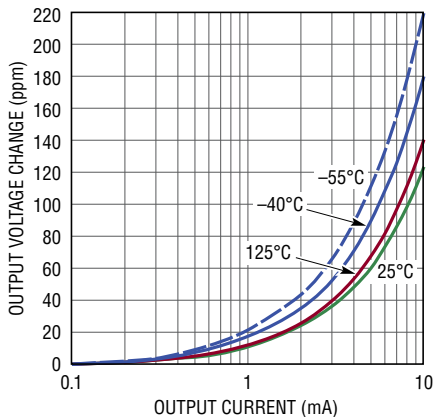
5V Output Impedance vs Frequency



5V Load Regulation (Sourcing)



5V Load Regulation (Sinking)



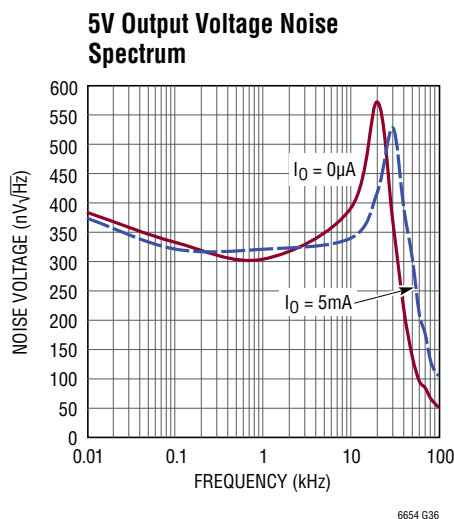
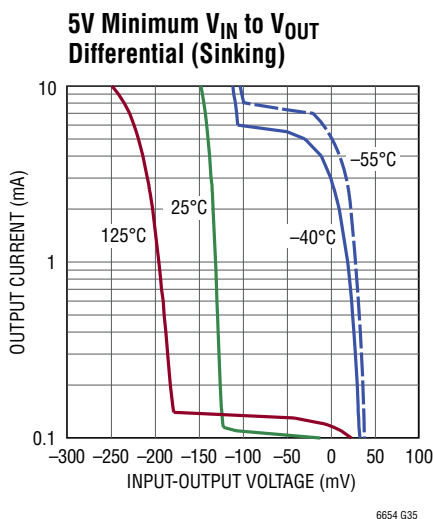
5V Output Noise 0.1Hz to 10Hz



5V Minimum V_IN to V_OUT Differential (Sourcing)



TYPICAL PERFORMANCE CHARACTERISTICS The characteristic curves are similar across the LT6654 family. Curves from the LT6654-1.25, LT6654-2.5 and the LT6654-5 represent the full range of typical performance of all voltage options. Characteristic curves for other output voltages fall between these curves and can be estimated based on their output.



PIN FUNCTIONS

(LS8)

DNC (Pins 1, 7): Do Not Connect. Keep leakage current from this pin to V_{IN} or GND to a minimum.

NC (Pin 2): Not internally connected. May be tied to V_{IN} , V_{OUT} , GND or floated.

GND (Pin 3): Internal Function. This pin must be tied to GND near Pin 4.

GND (Pin 4): Primary Device Ground. Pin 3 and the load ground should be star-connected to Pin 4.

V_{OUT} (Pin 5): V_{OUT} Pin. An output capacitor of $1\mu\text{F}$ or greater is required for stable operation.

V_{OUT} (Pin 6): V_{OUT} Pin. Tie to Pin 5 for proper load regulation.

V_{IN} (Pin 8): Power Supply. Bypass V_{IN} with a $0.1\mu\text{F}$, or larger, capacitor to GND.

(TS0T)

GND (Pin 1): Internal Function. This pin must be tied to ground, near Pin 2.

GND (Pin 2): Primary Device Ground.

DNC (Pin 3): Do Not Connect. Keep leakage current from this pin to V_{IN} or GND to a minimum.

V_{IN} (Pin 4): Power Supply. Bypass V_{IN} with a $0.1\mu\text{F}$ capacitor to ground.

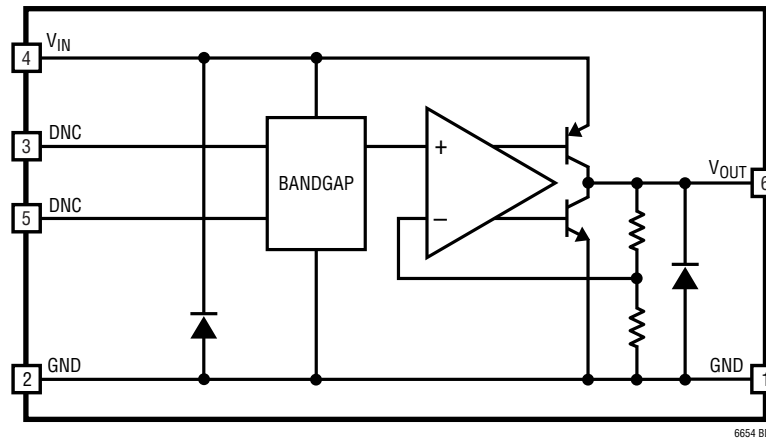
DNC (Pin 5): Do Not Connect. Keep leakage current from this pin to V_{IN} or GND to a minimum.

V_{OUT} (Pin 6): Output Voltage. An output capacitor of $1\mu\text{F}$ minimum is required for stable operation.

BLOCK DIAGRAMS



LS8



SOT23

APPLICATIONS INFORMATION

Bypass and Load Capacitors

The LT6654 voltage references should have an input bypass capacitor of 0.1 μ F or larger, however the bypassing on other components nearby is sufficient. In high voltage applications, $V_{IN} > 30V$, an output short-circuit to ground can create an input voltage transient that could exceed the maximum input voltage rating. To prevent this worst-case condition, an RC input line filter of 10 μ s (i.e. 10 Ω and 1 μ F) is recommended. These references also require an output capacitor for stability. The optimum output capacitance for most applications is 1 μ F, although larger values work as well. This capacitor affects the turn-on and settling time for the output to reach its final value.

Figure 1 shows the turn-on time for the LT6654-2.5 with a 0.1 μ F input bypass and 1 μ F load capacitor. Figure 2 shows the output response to a 0.5V transient on V_{IN} with the same capacitors.

The test circuit of Figure 3 is used to measure the stability with various load currents. With $R_L = 1k$, the 1V step produces a current step of 1mA. Figure 4 shows the response to a $\pm 0.5mA$ load. Figure 5 is the output response to a sourcing step from 4mA to 5mA, and Figure 6 is the output response of a sinking step from 4mA to 5mA.



Figure 1. Turn-On Characteristics of LT6654-2.5



Figure 2. Output Response to 0.5V Ripple on V_{IN}



Figure 3. Load Current Response Time Test Circuit

APPLICATIONS INFORMATION

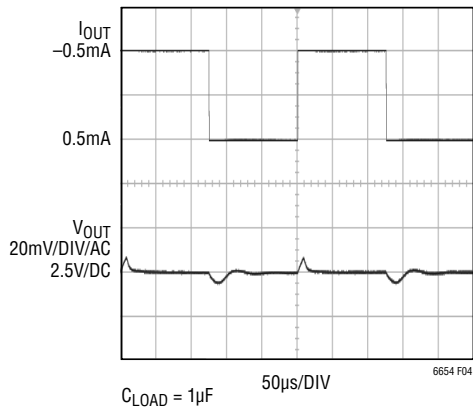


Figure 4. LT6654-2.5 Sourcing and Sinking 0.5mA

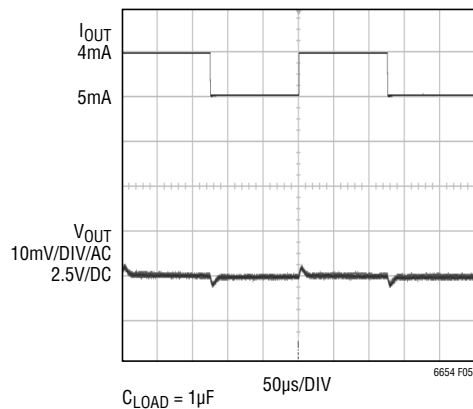


Figure 5. LT6654-2.5 Sourcing 4mA to 5mA

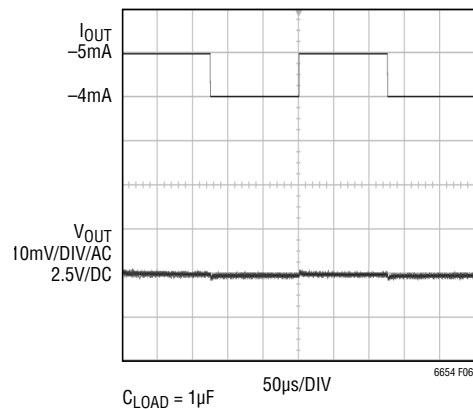


Figure 6. LT6654-2.5 Sinking 4mA to 5mA

Positive or Negative Operation

In addition to the series connection, as shown on the front page of this data sheet, the LT6654 can be operated as a negative voltage reference.

The circuit in Figure 7 shows an LT6654 configured for negative operation. In this configuration, a positive voltage is required at V_{IN} (Pin 4) to bias the LT6654 internal circuitry. This voltage must be current limited with R1 to keep the output PNP transistor from turning on and driving the grounded output. C1 provides stability during load transients. This connection maintains the same accuracy and temperature coefficient of the positive connected LT6654.

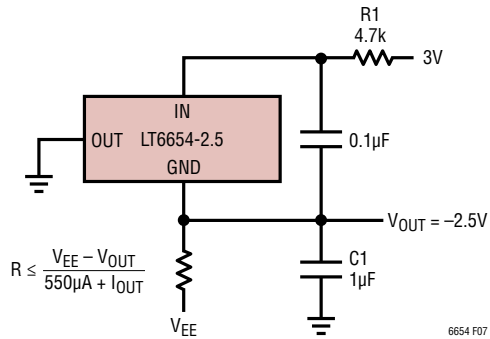


Figure 7. Using the LT6654-2.5 to Build a -2.5V Reference

APPLICATIONS INFORMATION

Long-Term Drift

Long-term drift cannot be extrapolated from accelerated high temperature testing. This erroneous technique gives drift numbers that are wildly optimistic. The only way long-term drift can be determined is to measure it over the time interval of interest. The LT6654 drift data was taken on 40 parts that were soldered into PC boards

similar to a real world application. The boards were then placed into a constant temperature oven with $T_A = 35^\circ\text{C}$, their outputs scanned regularly and measured with an 8.5 digit DVM. Long-term drift curves are shown in Figure 8. Their drift is much smaller after the first thousand hours.

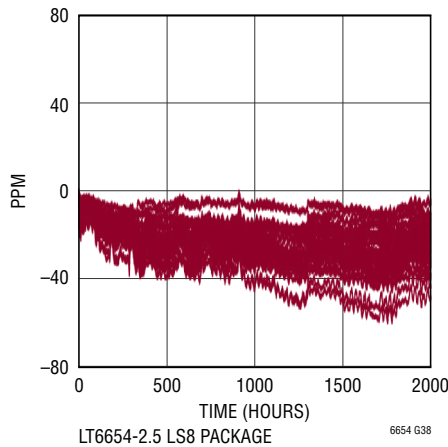
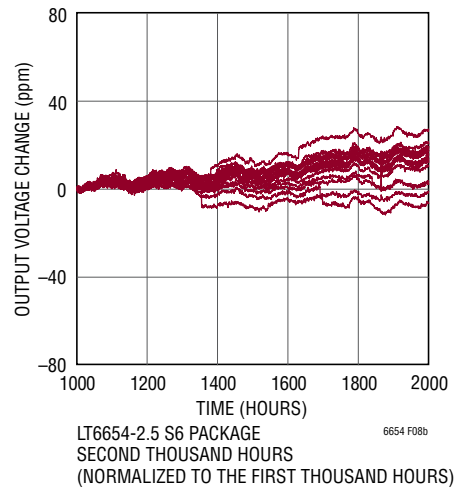
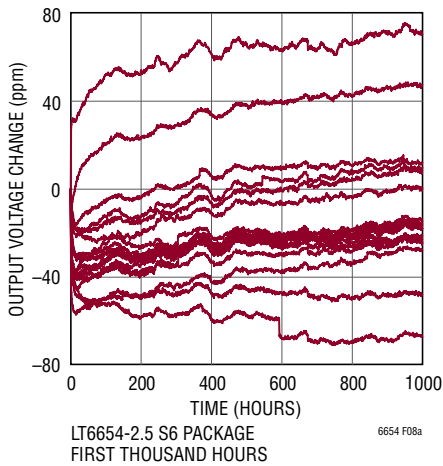


Figure 8. LT6654-2.5 Long Term Drift

APPLICATIONS INFORMATION

Power Dissipation

The power dissipation in the LT6654 is dependent on V_{IN} , load current and the package. The LT6654 package has a thermal resistance, or θ_{JA} , of $192^{\circ}\text{C}/\text{W}$. A curve that illustrates allowed power dissipation versus temperature for the 6-lead SOT-23 package is shown in Figure 9. The power dissipation of the LT6654-2.5 as a function of input voltage is shown in Figure 10. The top curve shows power dissipation with a 10mA load and the bottom curve shows power dissipation with no load. When operated within its specified limits of $V_{IN} = 36\text{V}$ and sourcing 10mA, the LT6654-2.5 consumes about 335mW at room temperature. The power-derating curve in Figure 9 shows the LT6654-2.5 can only safely dissipate 130mW at 125°C , which is less than its maximum power output. Care must be taken when designing the circuit so that the maximum junction temperature is not exceeded. For best performance, junction temperature should be kept below 125°C .

The LT6654 includes output current limit circuitry, as well as thermal limit circuitry, to protect the reference from damage in the event of excessive power dissipation. The LT6654 is protected from damage by a thermal shutdown circuit. However, changes in performance may occur as a result of operation at high temperature.

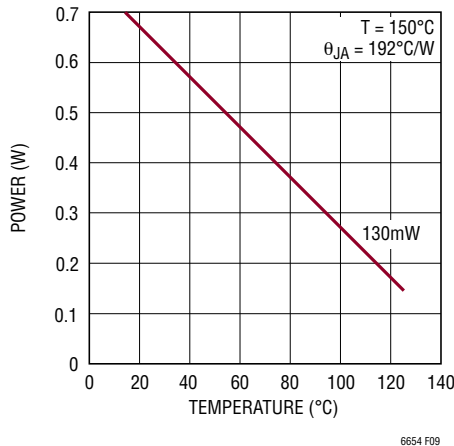


Figure 9. Maximum Allowed Power Dissipation of the LT6654

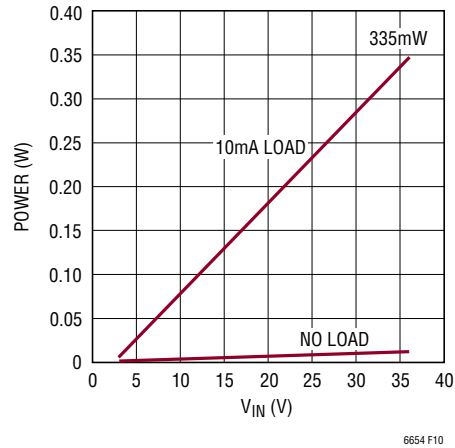


Figure 10. Typical Power Dissipation of the LT6654

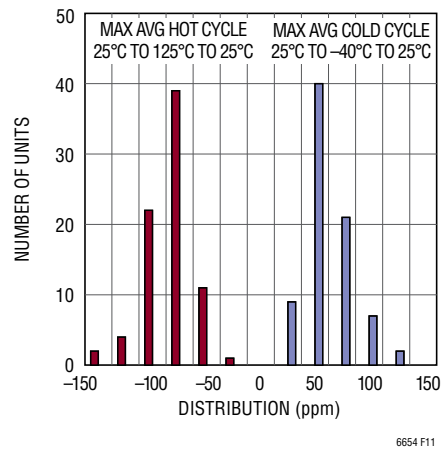


Figure 11a. LT6654 S6 Thermal Hysteresis -40°C to 125°C

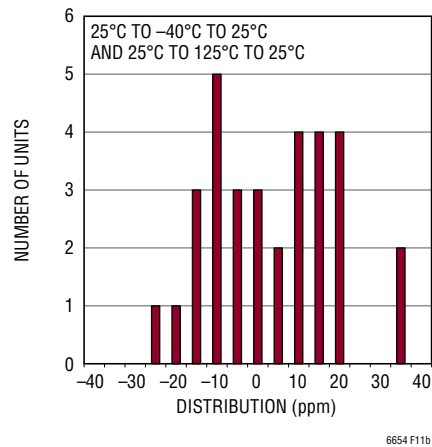


Figure 11b. LT6654 LS8 Thermal Hysteresis -40°C to 125°C

APPLICATIONS INFORMATION

Hysteresis

The hysteresis data is shown in Figure 11. The LT6654 is capable of dissipating relatively high power. For example, with a 36V input voltage and 10mA load current applied to the LT6654-2.5, the power dissipation is $P_D = 33.5V \cdot 10mA = 335mW$, which causes an increase in the die temperature of 64°C. This could increase the junction temperature above 125°C (T_{JMAX} is 150°C) and may cause the output to shift due to thermal hysteresis.

PC Board Layout

The mechanical stress of soldering a surface mount voltage reference to a PC board can cause the output voltage to shift and temperature coefficient to change. These two changes are not correlated. For example, the voltage may shift but the temperature coefficient may not.

To reduce the effects of stress-related shifts, mount the reference near the short edge of the PC board or in a corner. In addition, slots can be cut into the board on two sides of the device.

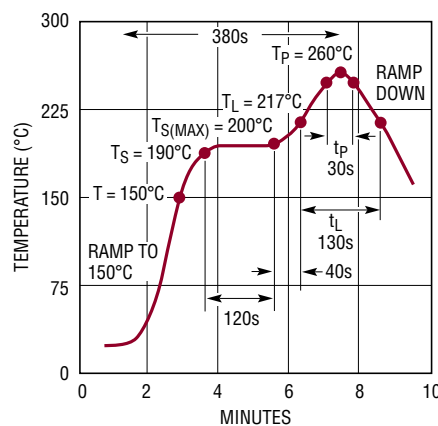
The capacitors should be mounted close to the LT6654. The GND and V_{OUT} traces should be as short as possible to minimize $I \cdot R$ drops, since high trace resistance directly impacts load regulation.

IR Reflow Shift

The different expansion and contraction rates of the materials that make up the LT6654 package may cause the output voltage to shift after undergoing IR reflow. Lead free solder reflow profiles reach over 250°C, considerably more than with lead based solder. A typical lead free IR reflow profile is shown in Figure 12. Similar profiles are found using a convection reflow oven. LT6654 devices run up to three times through this reflow process show that the standard deviation of the output voltage increases with a slight negative mean shift of 0.003% as shown in Figure 13. While there can be up to 0.014% of output voltage shift, the overall drift of the LT6654 after IR reflow does not vary significantly.

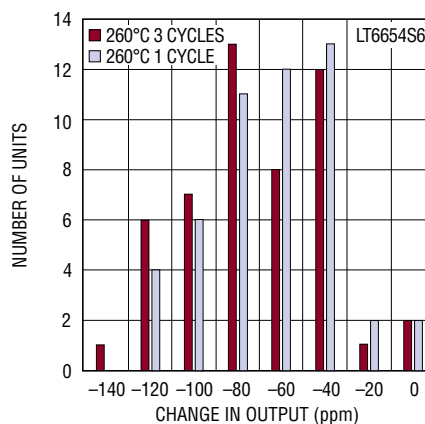
Humidity Sensitivity

Plastic mould compounds absorb water. With changes in relative humidity, plastic packaging materials change the amount of pressure they apply to the die inside, which can cause slight changes in the output of a voltage reference, usually on the order of 100ppm. The LS8 package is hermetic, so it is not affected by humidity, and is therefore more stable in environments where humidity may be a concern.



6654 F12

Figure 12. Lead Free Reflow Profile

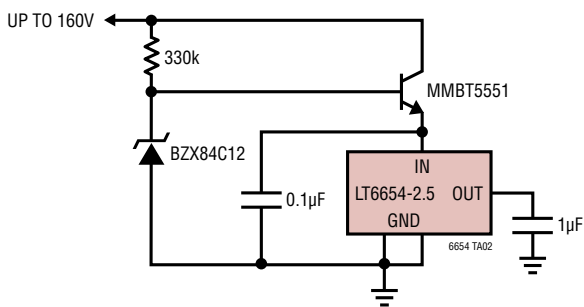


6654 F13

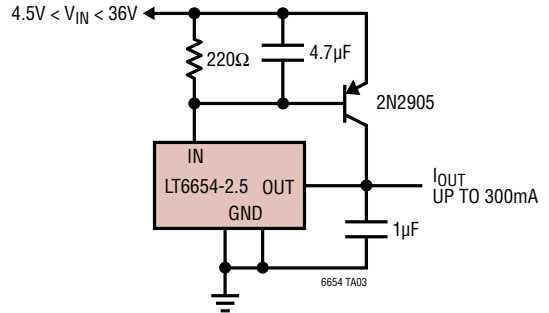
Figure 13. Output Voltage Shift Due to IR Reflow (%)

TYPICAL APPLICATIONS

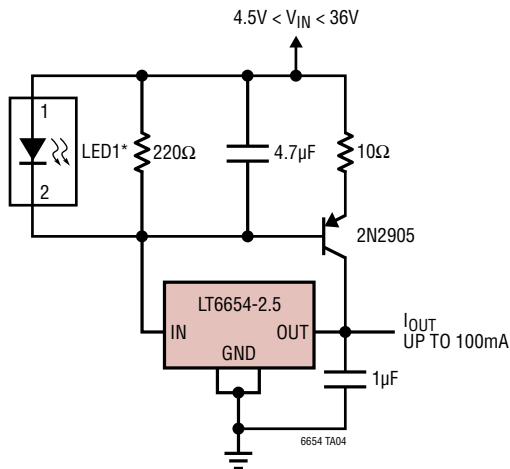
Extended Supply Range Reference



Boosted Output Current Reference

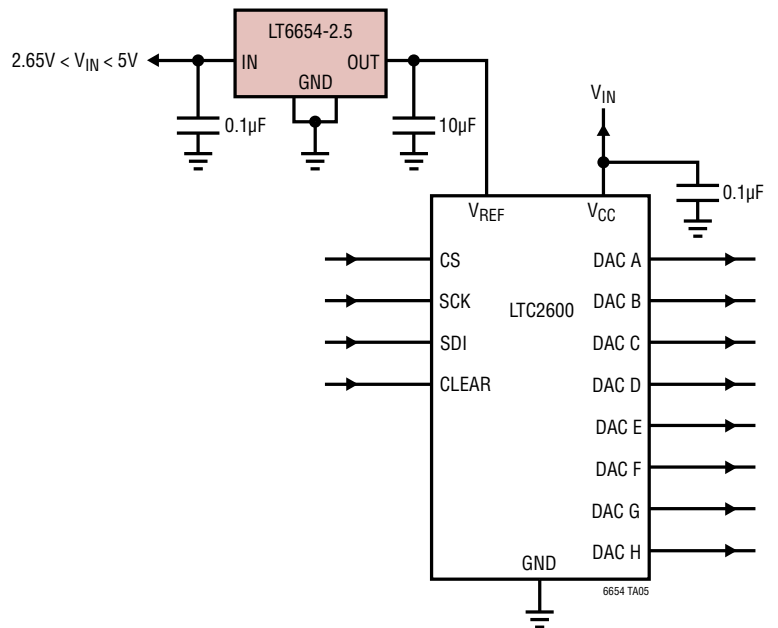


Boosted Output Current with Current Limit



* LED CANNOT BE OMITTED
THE LED CLAMPS THE VOLTAGE
DROP ACROSS THE 220Ω AND
LIMITS OUTPUT CURRENT

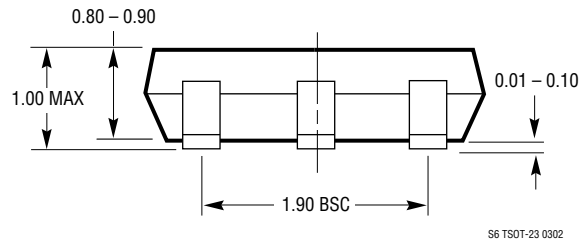
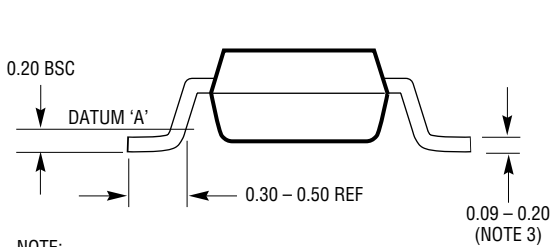
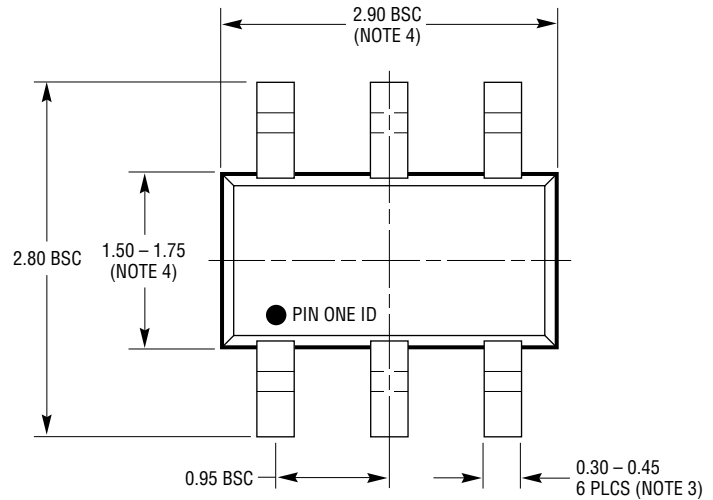
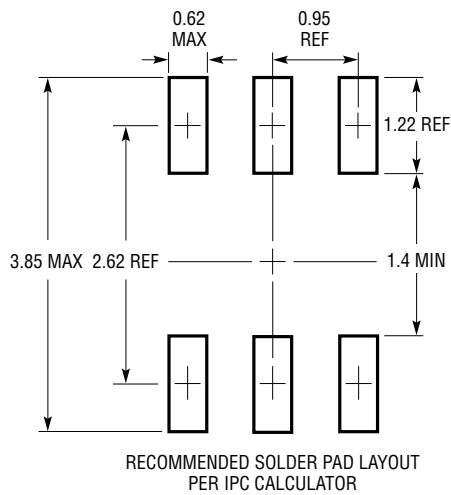
Octal DAC Reference



PACKAGE DESCRIPTION

Please refer to <http://www.linear.com/product/LT6654#packaging> for the most recent package drawings.

S6 Package 6-Lead Plastic TSOT-23 (Reference LTC DWG # 05-08-1636)



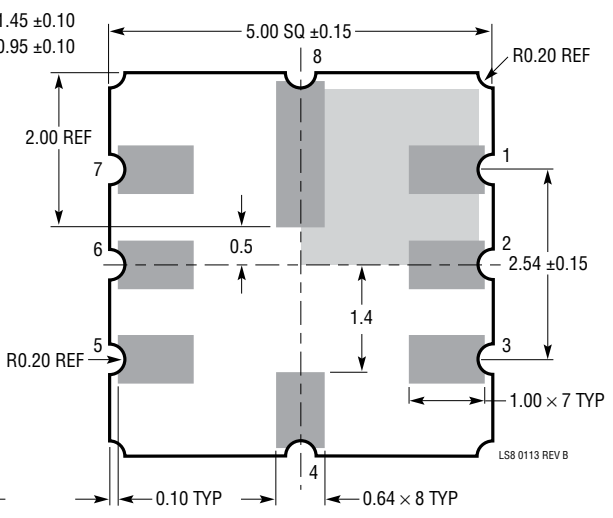
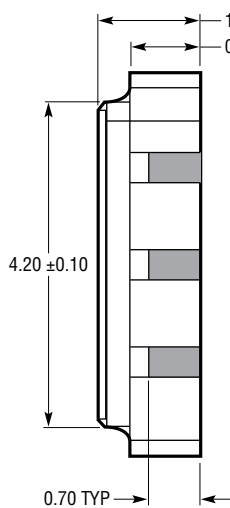
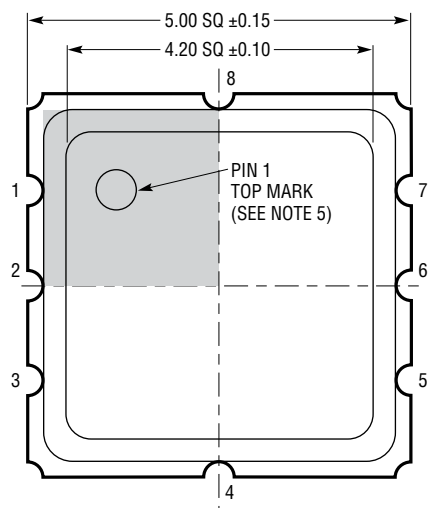
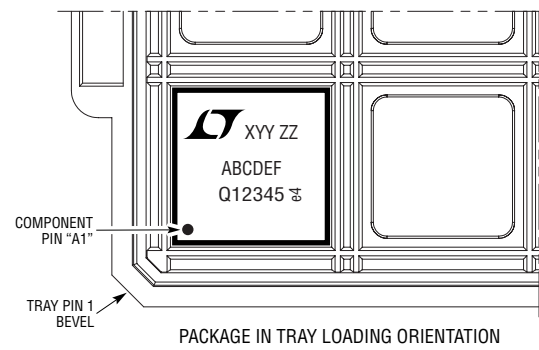
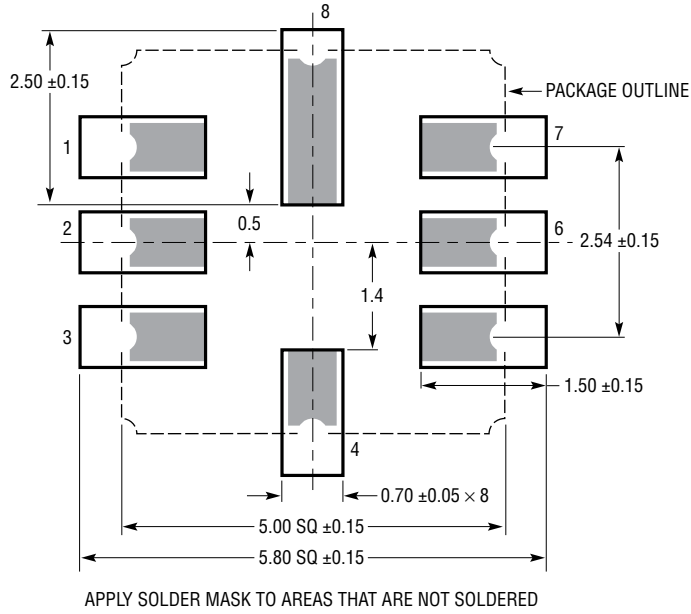
- NOTE:
1. DIMENSIONS ARE IN MILLIMETERS
 2. DRAWING NOT TO SCALE
 3. DIMENSIONS ARE INCLUSIVE OF PLATING
 4. DIMENSIONS ARE EXCLUSIVE OF MOLD FLASH AND METAL BURR
 5. MOLD FLASH SHALL NOT EXCEED 0.254mm
 6. JEDEC PACKAGE REFERENCE IS MO-193

S6 TSOT-23 0302

PACKAGE DESCRIPTION

Please refer to <http://www.linear.com/product/LT6654#packaging> for the most recent package drawings.

LS8 Package 8-Pin Leadless Chip Carrier (5mm × 5mm) (Reference LTC DWG # 05-08-1852 Rev B)



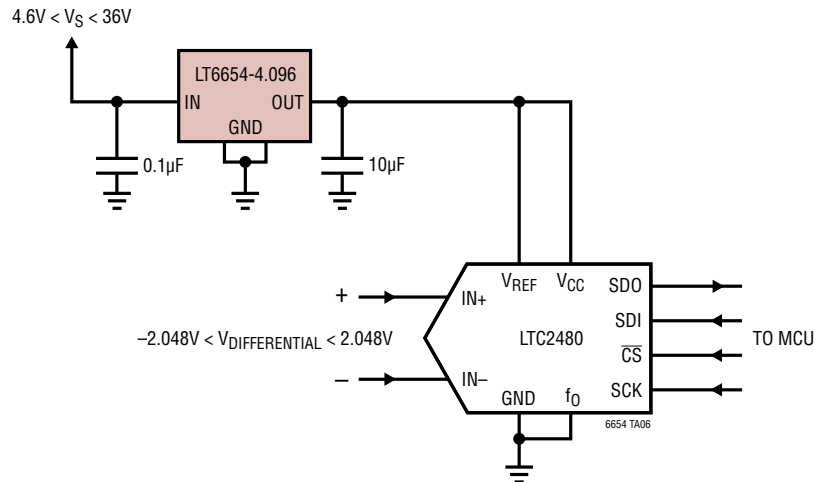
- NOTE:
1. ALL DIMENSIONS ARE IN MILLIMETERS
 2. DRAWING NOT TO SCALE
 3. DIMENSIONS PACKAGE DO NOT INCLUDE PLATING BURRS
PLATING BURRS, IF PRESENT, SHALL NOT EXCEED 0.30mm ON ANY SIDE
 4. PLATING—ELECTO NICKEL MIN 1.25UM, ELECTRO GOLD MIN 0.30UM
 5. SHADED AREA IS ONLY A REFERENCE FOR PIN 1 LOCATION ON THE TOP AND BOTTOM OF PACKAGE

REVISION HISTORY

| REV | DATE | DESCRIPTION | PAGE NUMBER |
|-----|-------|---|---|
| A | 12/10 | Added voltage options (1.250V, 2.048V, 3.000V, 4.096V, 5.000V) reflected throughout the data sheet. | 1-18 |
| B | 3/11 | Revised conditions for Output Voltage Noise in the Electrical Characteristics section. | 4 |
| C | 8/12 | Addition of LS8 Features and Order Information. Update to Electrical Characteristics to Include LS8 Package. Addition of Long Term Drift and Hysteresis Plots for LS8 Package. Addition of Humidity Sensitivity Information. Addition of LS8 Package Description. Addition of Related Parts. | 1, 2, 4 6 9, 15, 16 17 20 22 |
| D | 2/14 | Schematics updated to refer to pin functions instead of pin numbers. Label of Pin 2 on LS8 package changed to NC. The pin descriptions of Pin 2, Pin 3 and Pin 4 on LS8 package changed. GND label added on all schematic references of LT6654. | 1, 13, 14, 18 2, 11, 12 11 18, 22 |
| E | 6/15 | SOT-23 removed from data sheet title. Order Information updated to include 2.048V, 4.096V and 5V option in LS8 package. | 1 3, 4 |
| F | 12/15 | Part marking correction for 4.096V options in TSOT-23 package. Web link to Package Description updated. | 3 19, 20 |
| G | 03/17 | Added 2.5V option in I-temp grade. | 2-5 |
| H | 05/17 | Added 1.25V, 2.048V, 3V, 3.3V, 4.096V and 5V Option in I-temp grade. | 2-5 |

TYPICAL APPLICATION

16-Bit ADC Reference



RELATED PARTS

| PART NUMBER | DESCRIPTION | COMMENTS |
|-------------------------|--|---|
| LT1460 | Micropower Series Reference | 0.075% Max, 10ppm/°C Max Drift, 2.5V, 5V and 10V Versions, MSOP, PDIP, SO-8, SOT-23 and TO-92 Packages |
| LT1461 | Micropower Precision LDO Series Reference | 3ppm/°C Max Drift, 0°C to 70°C, -40°C to 85°C, -40°C to 125°C Options in SO-8 |
| LT1790 | Micropower Precision Series References | 0.05% Max, 10ppm/°C Max, 60µA Supply, SOT-23 Package |
| LT6650 | Micropower Reference with Buffer Amplifier | 0.05% Max, 5.6µA Supply, SOT-23 Package |
| LTC6652 | Precision Low Drift Low Noise Buffered Reference | 0.5% Max, 5ppm/°C Max, 2.1ppm _{P-P} Noise (0.1Hz to 10Hz) 100% Tested at -40°C, 25°C and 125°C |
| LT6660 | Tiny Micropower Series Reference | 0.2% Max, 20ppm/°C Max, 20mA Output Current, 2mm × 2mm DFN |
| LTC6655 | Precision Low Noise Reference | 2ppm/°C Max, 650nV _{P-P} Noise (0.1Hz to 10Hz) 100% Tested at -40°C, 25°C and 125°C |
| LT6656 | 800nA Precision Voltage Reference | 800nA, 10ppm/°C Max, 0.05% Max, SOT-23 Package |



Компания «ЭлектроПласт» предлагает заключение долгосрочных отношений при поставках импортных электронных компонентов на взаимовыгодных условиях!

Наши преимущества:

- Оперативные поставки широкого спектра электронных компонентов отечественного и импортного производства напрямую от производителей и с крупнейших мировых складов;
- Поставка более 17-ти миллионов наименований электронных компонентов;
- Поставка сложных, дефицитных, либо снятых с производства позиций;
- Оперативные сроки поставки под заказ (от 5 рабочих дней);
- Экспресс доставка в любую точку России;
- Техническая поддержка проекта, помощь в подборе аналогов, поставка прототипов;
- Система менеджмента качества сертифицирована по Международному стандарту ISO 9001;
- Лицензия ФСБ на осуществление работ с использованием сведений, составляющих государственную тайну;
- Поставка специализированных компонентов (Xilinx, Altera, Analog Devices, Intersil, Interpoint, Microsemi, Aeroflex, Peregrine, Syfer, Eurofarad, Texas Instrument, Miteq, Cobham, E2V, MA-COM, Hittite, Mini-Circuits, General Dynamics и др.);

Помимо этого, одним из направлений компании «ЭлектроПласт» является направление «Источники питания». Мы предлагаем Вам помощь Конструкторского отдела:

- Подбор оптимального решения, техническое обоснование при выборе компонента;
- Подбор аналогов;
- Консультации по применению компонента;
- Поставка образцов и прототипов;
- Техническая поддержка проекта;
- Защита от снятия компонента с производства.



Как с нами связаться

Телефон: 8 (812) 309 58 32 (многоканальный)

Факс: 8 (812) 320-02-42

Электронная почта: org@eplast1.ru

Адрес: 198099, г. Санкт-Петербург, ул. Калинина, дом 2, корпус 4, литера А.