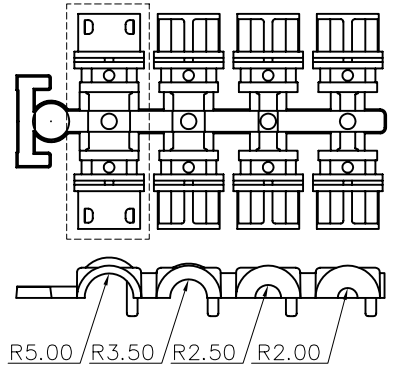
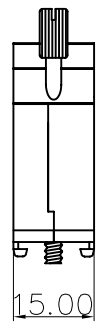
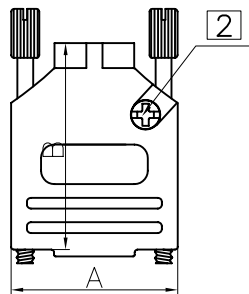
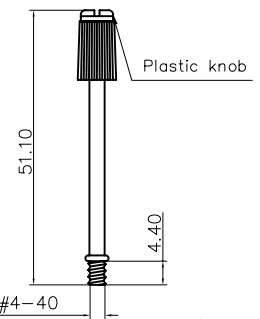
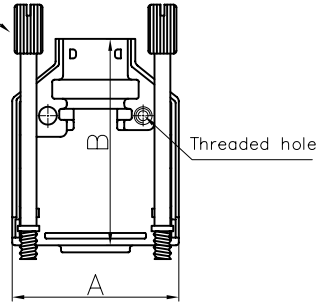
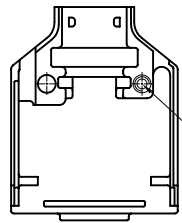


This document is the property of Amphenol Corporation and is delivered on the express condition that it is not to be disclosed, reproduced or used, in whole or in part, for manufacture or sale by anyone other than Amphenol Corporation without its prior consent, & that no right is granted to disclose or to use any information in this document.

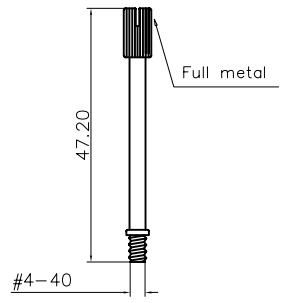


Cable strain relief

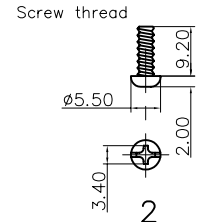


1

Thumb screw



Full metal



2

Screw

Part Number	A	B	Part Number
L17D TZK 09K FM T	31 (1.220")	38.3 (1.508")	L17D TZK 09K T
L17D TZK 15K FM T	39.5 (1.555")	40.5 (1.594")	L17D TZK 15K T
L17D TZK 25K FM T	53.4 (2.102")	48.2 (1.897")	L17D TZK 25K T
L17D TZK 37K FM T	70 (2.755")	52.2 (2.055")	L17D TZK 37K T

Customer drawing

REVISIONS				
SYM	ECN	DESCRIPTION	DATE	APPROVED
1			06/06/08	

D-SUB TECHNICAL DATA

Material and finish:  
 Shell: die-cast, nickel plated  
 Thumb screws: with metal knob, nickel plated  
 Screws: Steel, blue chromate plating, Philips head  
 Cable strain relief: Plastic UL94 V-0  
 Temperature range: -40°C to 120°C  
 Cable diameter: 4.0-13.0mm  
 Attenuation factor: >40 dB between 30 MHz and 1 GHz

PRODUCT CODE

L 17DTZK XX K XX T

RoHS Compliance	T: with threaded backshell, not self-tapering type
Series 17DTZK:180°	
Position: 9,15,25,37	FM: Full steel metal screwlock Blank: plastic knob on screwlock
Bulk Package	

UNLESS OTHERWISE SPECIFIED TOLERANCES		APPROVAL		DATE
U.S.	METRIC	DRAWN	Sunny Li	06/06/08
.X +/-	0.50	CHECKED	kk.wang	06/06/08
.XX +/-	0.30	CHECKED		
.XXX +/-	0.20			
FRACTIONS +/-	2'			
ANGLES +/-				
FOR MATERIALS AND FINISHES SEE NOTES		DRAWING FILE :		
REMOVE SHARP EDGES		ANGLE OF PROJECTION		
DIMENSIONS				
U.S.	INCHES			
METRIC	MM			

Amphenol®

TITLE  
Metal Hood DTZK series

SIZE	DRAWING NO.	REV.
A4	C L17D TZK XXX XX T	1
SCALE	NONE	SHEET 1 OF 4

This document is the property of Amphenol Corporation and is delivered on the express condition that it is not to be disclosed, reproduced or used, in whole or in part, for manufacture or sale by anyone other than Amphenol Corporation without its prior consent, & that no right is granted to disclose or to use any information in this document.

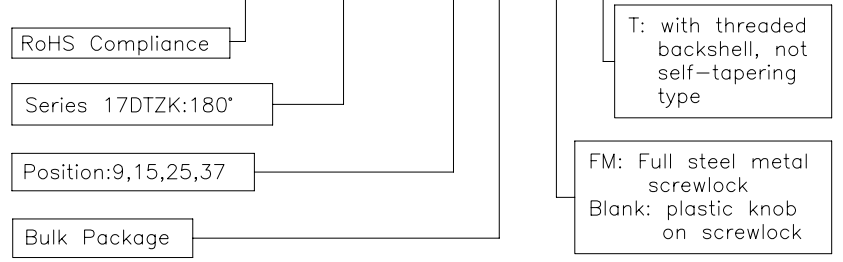
REVISIONS				
SYM	ECN	DESCRIPTION	DATE	APPROVED
1			06/06/08	

**D-SUB TECHNICAL DATA**

Material and finish:  
 Shell: die-cast, nickel plated  
 Thumb screws: with metal knob, nickel plated  
 Screws: Steel, blue chromate plating, Philips head  
 Cable strain relief: Plastic UL94 V-0  
 Temperature range: -40°C to 120°C  
 Cable diameter: 4.0-13.0mm  
 Attenuation factor: >40 dB between 30 MHz and 1 GHz

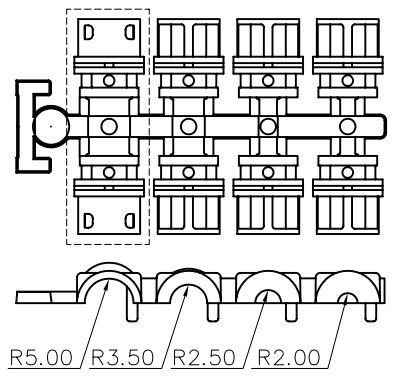
**PRODUCT CODE**

**L 17DTZK XX K XX T**

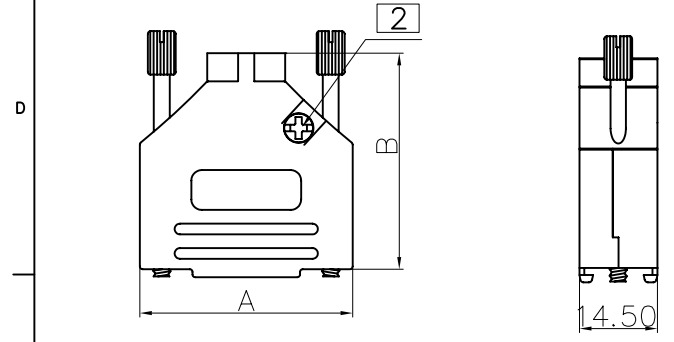


UNLESS OTHERWISE SPECIFIED TOLERANCES		APPROVAL		DATE
U.S.	METRIC	DRAWN	Sunny-Li	06/06/08
.X	+/- 0.50	CHECKED	kk.wang	06/06/08
.XX	+/- 0.30	CHECKED		
.XXX	+/- 0.20			
FRACTIONS	+/-			
ANGLES	+/- 2'			
FOR MATERIALS AND FINISHES SEE NOTES		DRAWING FILE :		
REMOVE SHARP EDGES		ANGLE OF PROJECTION		
DIMENSIONS				
U.S.	INCHES			
METRIC	MM			

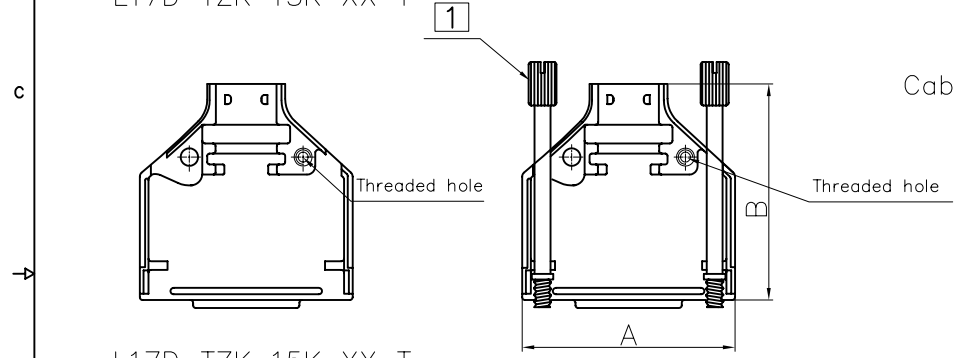
Amphenol®		
TITLE Metal Hood DTZK series		
SIZE	DRAWING NO.	REV.
A4	C L17D TZK XXX XX T	1
SCALE	NONE	SHEET 2 OF 4



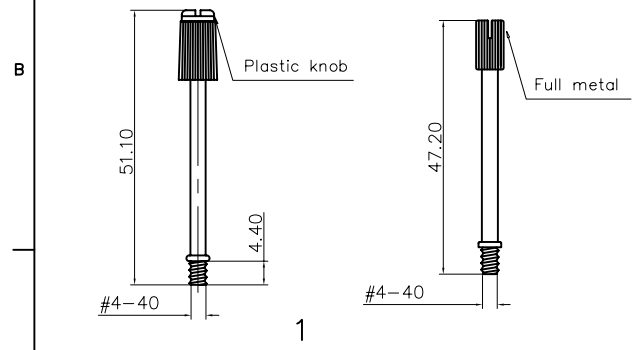
Cable strain relief



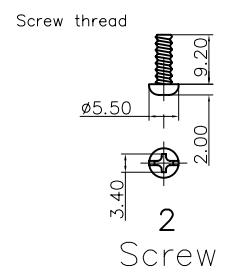
L17D TZK 15K XX T



L17D TZK 15K XX T



Thumb screw



Screw

Part Number	A	B	Part Number
L17D TZK 09K FM T	31 (1.220")	38.3 (1.508")	L17D TZK 09K T
L17D TZK 15K FM T	39.5 (1.555")	40.5 (1.594")	L17D TZK 15K T
L17D TZK 25K FM T	53.4 (2.102")	48.2 (1.897")	L17D TZK 25K T
L17D TZK 37K FM T	70 (2.755")	52.2 (2.055")	L17D TZK 37K T

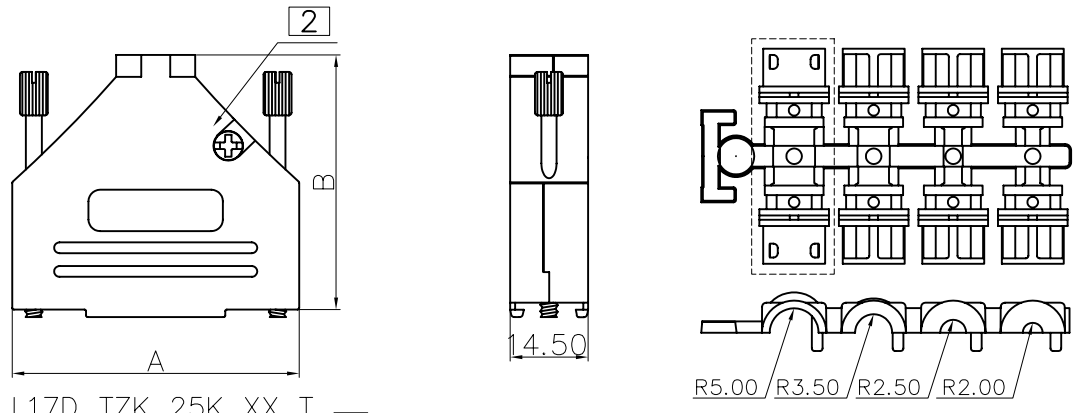
Customer drawing

This document is the property of Amphenol Corporation and is delivered on the express condition that it is not to be disclosed, reproduced or used, in whole or in part, for manufacture or sale by anyone other than Amphenol Corporation without its prior consent, & that no right is granted to disclose or to use any information in this document.

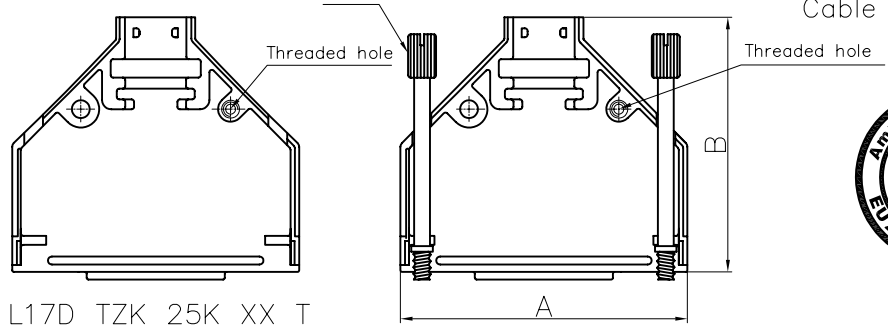
REVISIONS				
SYM	ECN	DESCRIPTION	DATE	APPROVED
1			06/06/08	

**D-SUB TECHNICAL DATA**

Material and finish:  
 Shell: die-cast, nickel plated  
 Thumb screws: with metal knob, nickel plated  
 Screws: Steel, blue chromate plating, Philips head  
 Cable strain relief: Plastic UL94 V-0  
 Temperature range: -40°C to 120°C  
 Cable diameter: 4.0-13.0mm  
 Attenuation factor: >40 dB between 30 MHz and 1 GHz

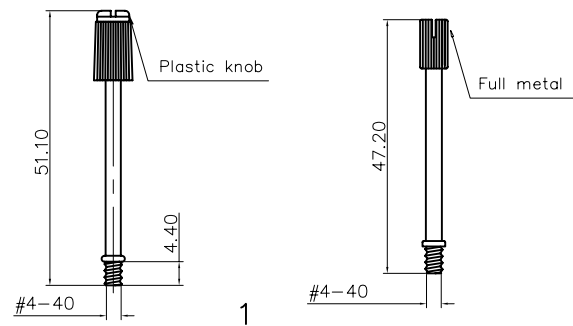


L17D TZK 25K XX T

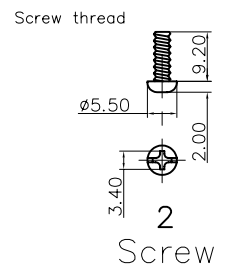


Cable strain relief

L17D TZK 25K XX T



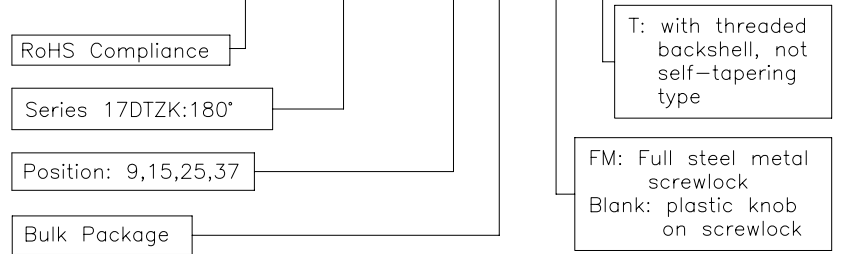
Thumb screw



Screw

**PRODUCT CODE**

L 17DTZK XX K XX T



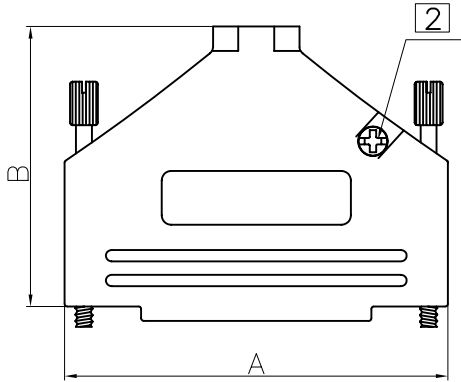
Part Number	A	B	Part Number
L17D TZK 09K FM T	31 (1.220")	38.3 (1.508")	L17D TZK 09K T
L17D TZK 15K FM T	39.5 (1.555")	40.5 (1.594")	L17D TZK 15K T
L17D TZK 25K FM T	53.4 (2.102")	48.2 (1.897")	L17D TZK 25K T
L17D TZK 37K FM T	70 (2.755")	52.2 (2.055")	L17D TZK 37K T

Customer drawing

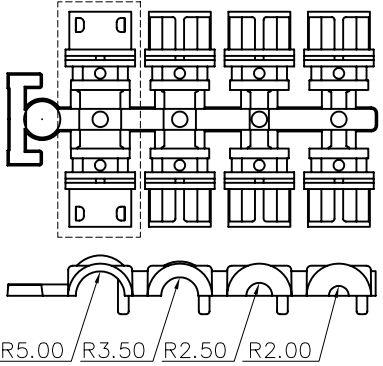
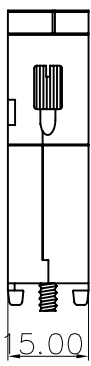
UNLESS OTHERWISE SPECIFIED TOLERANCES	APPROVAL		DATE
	U.S.	METRIC	
.X +/-	0.50	DRAWN Sunny Li	06/06/08
.XX +/-	0.30	CHECKED Wk.wang	06/06/08
.XXX +/-	0.20	CHECKED	
FRACTIONS +/-			
ANGLES +/-	2'		
FOR MATERIALS AND FINISHES SEE NOTES	DRAWING FILE :		
REMOVE SHARP EDGES	ANGLE OF PROJECTION		
DIMENSIONS			
U.S. INCHES			
METRIC MM			

Amphenol®		
TITLE Metal Hood DTZK series		
SIZE	DRAWING NO.	REV.
A4	C L17D TZK XXX XX T	1
SCALE	NONE	SHEET 3 OF 4

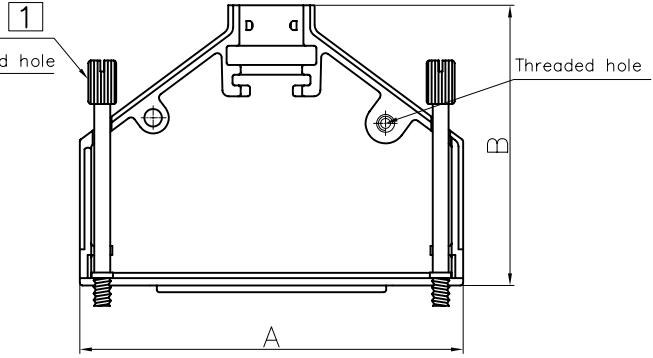
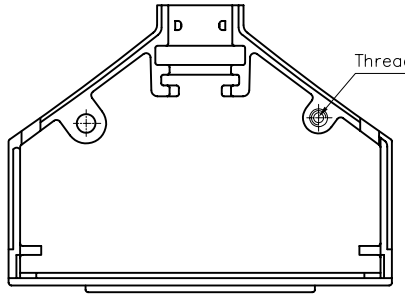
This document is the property of Amphenol Corporation and is delivered on the express condition that it is not to be disclosed, reproduced or used, in whole or in part, for manufacture or sale by anyone other than Amphenol Corporation without its prior consent, & that no right is granted to disclose or to use any information in this document.



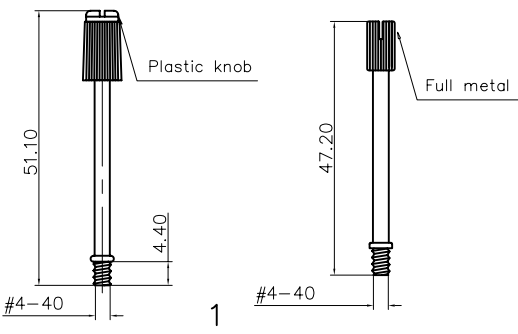
L17D TZK 37K XX T



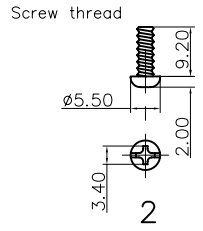
Cable strain relief



L17D TZK 37K XX T



Thumb screw



Screw



Customer drawing

Part Number	A	B	Part Number
L17D TZK 09K FM T	31 (1.220")	38.3 (1.508")	L17D TZK 09K T
L17D TZK 15K FM T	39.5 (1.555")	40.5 (1.594")	L17D TZK 15K T
L17D TZK 25K FM T	53.4 (2.102")	48.2 (1.897")	L17D TZK 25K T
L17D TZK 37K FM T	70 (2.755")	52.2 (2.055")	L17D TZK 37K T

REVISIONS				
SYM	ECN	DESCRIPTION	DATE	APPROVED
1			06/06/08	

D-SUB TECHNICAL DATA

Material and finish:  
 Shell: die-cast, nickel plated  
 Thumb screws: with metal knob, nickel plated  
 Screws: Steel, blue chromate plating, Philips head  
 Cable strain relief: Plastic UL94 V-0  
 Temperature range: -40°C to 120°C  
 Cable diameter: 4.0-13.0mm  
 Attenuation factor: >40 dB between 30 MHz and 1 GHz

PRODUCT CODE

L 17DTZK XX K XX T

RoHS Compliance	T: with threaded backshell, not self-tapering type
Series 17DTZK:180°	
Position:9,15,25,37	
Bulk Package	FM: Full steel metal screwlock Blank: plastic knob on screwlock

UNLESS OTHERWISE SPECIFIED TOLERANCES		APPROVAL		DATE
U.S.	METRIC	DRAWN	Sunny-Li	06/06/08
.X	+/- 0.50	CHECKED	kk.wang	06/06/08
.XX	+/- 0.30	CHECKED		
.XXX	+/- 0.20			
FRACTIONS	+/-			
ANGLES	+/-			
FOR MATERIALS AND FINISHES SEE NOTES		DRAWING FILE :		
REMOVE SHARP EDGES		ANGLE OF PROJECTION		
DIMENSIONS				
U.S.	INCHES			
METRIC	MM			

Amphenol®		
TITLE Metal Hood DTZK series		
SIZE	DRAWING NO.	REV.
A4	C L17D TZK XXK XX T	1
SCALE	NONE	SHEET 4 OF 4



Компания «ЭлектроПласт» предлагает заключение долгосрочных отношений при поставках импортных электронных компонентов на взаимовыгодных условиях!

Наши преимущества:

- Оперативные поставки широкого спектра электронных компонентов отечественного и импортного производства напрямую от производителей и с крупнейших мировых складов;
- Поставка более 17-ти миллионов наименований электронных компонентов;
- Поставка сложных, дефицитных, либо снятых с производства позиций;
- Оперативные сроки поставки под заказ (от 5 рабочих дней);
- Экспресс доставка в любую точку России;
- Техническая поддержка проекта, помощь в подборе аналогов, поставка прототипов;
- Система менеджмента качества сертифицирована по Международному стандарту ISO 9001;
- Лицензия ФСБ на осуществление работ с использованием сведений, составляющих государственную тайну;
- Поставка специализированных компонентов (Xilinx, Altera, Analog Devices, Intersil, Interpoint, Microsemi, Aeroflex, Peregrine, Syfer, Eurofarad, Texas Instrument, Miteq, Cobham, E2V, MA-COM, Hittite, Mini-Circuits, General Dynamics и др.);

Помимо этого, одним из направлений компании «ЭлектроПласт» является направление «Источники питания». Мы предлагаем Вам помощь Конструкторского отдела:

- Подбор оптимального решения, техническое обоснование при выборе компонента;
- Подбор аналогов;
- Консультации по применению компонента;
- Поставка образцов и прототипов;
- Техническая поддержка проекта;
- Защита от снятия компонента с производства.



#### Как с нами связаться

**Телефон:** 8 (812) 309 58 32 (многоканальный)

**Факс:** 8 (812) 320-02-42

**Электронная почта:** [org@eplast1.ru](mailto:org@eplast1.ru)

**Адрес:** 198099, г. Санкт-Петербург, ул. Калинина, дом 2, корпус 4, литера А.