

MAX14802/MAX14803/ MAX14803A

Low-Charge Injection, 16-Channel, High-Voltage Analog Switches

General Description

The MAX14802/MAX14803/MAX14803A provide high-voltage switching on 16 channels for ultrasonic imaging and printer applications. The devices utilize HVCMOS process technology to provide 16 high-voltage low-charge-injection SPST switches, controlled by a digital interface. Data is clocked into an internal 16-bit shift register and retained by a programmable latch with enable and clear inputs. A power-on reset function ensures that all switches are open on power-up.

The MAX14802/MAX14803/MAX14803A operate with a wide range of high-voltage supplies including $V_{PP}/V_{NN} = +100V/-100V$, $+200V/0V$, or $+40V/-160V$. The digital interface operates from a separate $+2.7V$ to $+5.5V$ V_{DD} supply. Digital inputs DIN , CLK , \overline{LE} , and CLR operate on the V_{DD} supply voltage.

The MAX14803/MAX14803A provide integrated $35k\Omega$ bleed resistors on each switch terminal to discharge capacitive loads. The MAX14802/MAX14803/MAX14803A provide integrated clamping diodes for overvoltage protection against positive overshoot.

The MAX14802 is available in a 48-pin TQFP package and is specified for commercial $0^{\circ}C$ to $+70^{\circ}C$ and extended $-40^{\circ}C$ to $+85^{\circ}C$ temperature ranges.

The MAX14803 is available in a 48-pin TQFP package and is specified for the commercial $0^{\circ}C$ to $+70^{\circ}C$ temperature range.

The MAX14803A is available in the 110-bump wafer level package (WLP) and is specified at the $-40^{\circ}C$ to $+85^{\circ}C$ temperature range.

Applications

Ultrasound Imaging
Printers

Features

- ◆ Integrated Overvoltage Protection
- ◆ 20MHz Serial Interface (5V)
- ◆ HVCMOS Technology for High Performance
- ◆ Individually Programmable High-Voltage Analog Switches
- ◆ Very Low $5\mu A$ (typ) Quiescent Current
- ◆ DC-to-20MHz Low-Voltage Analog Signal Frequency Range
- ◆ 2.7V to 5.5V Logic Supply Voltage
- ◆ Low-Charge Injection, Low-Capacitance R_L Switches
- ◆ -77dB (typ) Off-Isolation at 5MHz ($R_L = 50\Omega$)
- ◆ Daisy-Chainable Serial Interface
- ◆ Flexible High-Voltage Supplies ($V_{PP} - V_{NN} = 250V$)

Pin Configurations appear at end of data sheet.

Ordering Information/Selector Guide

| PART | SWITCH CHANNELS | BLEED RESISTOR | OVP | PIN-PACKAGE | TEMP RANGE |
|---------------|-----------------|----------------|-----|-------------|----------------------------------|
| MAX14802CCM+ | 16 | No | Yes | 48 TQFP | $0^{\circ}C$ to $+70^{\circ}C$ |
| MAX14802ECM+ | 16 | No | Yes | 48 TQFP | $-40^{\circ}C$ to $+85^{\circ}C$ |
| MAX14803CCM+ | 16 | Yes | Yes | 48 TQFP | $0^{\circ}C$ to $+70^{\circ}C$ |
| MAX14803AEWZ+ | 16 | Yes | Yes | 110 WLP | $-40^{\circ}C$ to $+85^{\circ}C$ |

+Denotes a lead(Pb)-free/RoHS-compliant package.

For pricing, delivery, and ordering information, please contact Maxim Direct at 1-888-629-4642, or visit Maxim's website at www.maximintegrated.com.

MAX14802/MAX14803/MAX14803A

Low-Charge Injection, 16-Channel, High-Voltage Analog Switches

ABSOLUTE MAXIMUM RATINGS

(All voltages referenced to GND.)

| | |
|--|--|
| V _{DD} Logic-Supply Voltage | -0.3V to +7V |
| V _{PP} - V _{NN} Supply Voltage (MAX14802CCM+, MAX14803CCM+) | 260V |
| (MAX14802ECM+, MAX14803AEWZ+) | 230V |
| V _{PP} Positive-Supply Voltage | -0.3V to +220V |
| V _{NN} Negative-Supply Voltage | -0.3V to -220V |
| Logic Inputs (\overline{LE} , CLR, CLK, DIN, DOUT) | -0.3V to +7V |
| COM ₋ , NO ₋ | (-0.3V + V _{NN}) to the minimum of [(V _{NN} + 220V) or (V _{PP} + 0.3V)] |

| | |
|---|-----------------|
| Peak Analog Signal Current Per Channel | 3A |
| Continuous Power Dissipation (T _A = +70°C) | |
| 48-Pin TQFP (derate 22.7mW/°C above +70°C) | 1818mW |
| 110-Bump WLP (derate 37mW/°C above +70°C) | 2960mW |
| Operating Temperature Range (Commercial) | 0°C to +70°C |
| Operating Temperature Range (Extended) | -40°C to +85°C |
| Storage Temperature Range | -65°C to +150°C |
| Junction Temperature | +150°C |
| Lead Temperature (soldering, 10s) | +300°C |
| Soldering Temperature (reflow) | +260°C |

PACKAGE THERMAL CHARACTERISTICS (Note 1)

| | | | | | |
|------|--|--------|-----|--|--------|
| TQFP | Junction-to-Ambient Thermal Resistance (θ_{JA}) | 44°C/W | WLP | Junction-to-Ambient Thermal Resistance (θ_{JA}) | 27°C/W |
| | Junction-to-Case Thermal Resistance (θ_{JC}) | 10°C/W | | Junction-to-Case Thermal Resistance (θ_{JC}) | 1°C/W |

Note 1: Package thermal resistances were obtained using the method described in JEDEC specification JESD51-7, using a four-layer board. For detailed information on package thermal considerations, refer to www.maximintegrated.com/thermal-tutorial.

Stresses beyond those listed under "Absolute Maximum Ratings" may cause permanent damage to the device. These are stress ratings only, and functional operation of the device at these or any other conditions beyond those indicated in the operational sections of the specifications is not implied. Exposure to absolute maximum rating conditions for extended periods may affect device reliability.

ELECTRICAL CHARACTERISTICS

(V_{DD} = +2.7V to +5.5V, V_{PP} = +40V to V_{NN} + 250V, V_{NN} = -40V to -160V, T_A = T_{MIN} to T_{MAX}, unless otherwise noted. Typical values are at T_A = +25°C.) (Note 2)

| PARAMETER | SYMBOL | CONDITIONS | MIN | TYP | MAX | UNITS |
|--|------------------|---|------|------|-----------------------|-------|
| POWER SUPPLIES | | | | | | |
| V _{DD} Supply Voltage | V _{DD} | | +2.7 | | +5.5 | V |
| V _{PP} Supply Voltage | V _{PP} | MAX14802ECM+, MAX14803AEWZ+ | +40 | +100 | V _{NN} + 200 | V |
| | | MAX14802CCM+, MAX14803CCM+ | +40 | +100 | V _{NN} + 250 | |
| V _{NN} Supply Voltage | V _{NN} | | -160 | -100 | 0 | V |
| V _{DD} Supply Quiescent Current | I _{DDQ} | | | | 5 | μA |
| V _{DD} Supply Dynamic Current | I _{DD} | V _{DD} = +5V, V \overline{LE} = +5V, f _{CLK} = 5MHz | | | 0.5 | mA |
| V _{PP} Supply Quiescent Current | I _{PPQ} | All switches remain on or off, I _{COM-} = 5mA | | 0 | 10 | μA |

MAX14802/MAX14803/MAX14803A

Low-Charge Injection, 16-Channel, High-Voltage Analog Switches

ELECTRICAL CHARACTERISTICS (continued)

($V_{DD} = +2.7V$ to $+5.5V$, $V_{PP} = +40V$ to $V_{NN} + 250V$, $V_{NN} = -40V$ to $-160V$, $T_A = T_{MIN}$ to T_{MAX} , unless otherwise noted. Typical values are at $T_A = +25^\circ C$.) (Note 2)

| PARAMETER | SYMBOL | CONDITIONS | MIN | TYP | MAX | UNITS |
|---|--|---|---------------------------|-----|--|-------|
| V _{PP} Supply Dynamic Current (All Channel Switching Simultaneously) | I _{PP} | V _{PP} = +40V, V _{NN} = -160V, f _{COM_} = 50kHz | | | 4 | mA |
| | | V _{PP} = +100V, V _{NN} = -100V, f _{COM_} = 50kHz | | 3.4 | 6 | |
| | | V _{PP} = +160V, V _{NN} = -40V, f _{COM_} = 50kHz | | | 8 | |
| V _{NN} Supply Quiescent Current | I _{NNQ} | All switches remain on or off, I _{COM_} = 5mA | | 0 | 10 | μA |
| V _{NN} Supply Dynamic Current (All Channel Switching Simultaneously) | I _{NN} | V _{PP} = +40V, V _{NN} = -160V, f _{COM_} = 50kHz | | | 5 | mA |
| | | V _{PP} = +100V, V _{NN} = -100V, f _{COM_} = 50kHz | | 2.3 | 4 | |
| | | V _{PP} = +160V, V _{NN} = -40V, f _{COM_} = 50kHz | | | 3 | |
| ANALOG SWITCH | | | | | | |
| COM_, NO_ Analog Signal Range | V _{COM_} , V _{NO_} | (Note 3) | V _{NN} | | min of (V _{NN} + 200V) or (V _{PP} - 10V) | V |
| Small-Signal Switch On-Resistance | R _{ONS} | V _{PP} = +40V, V _{NN} = -160V, V _{COM_} = 0V | I _{COM_} = 5mA | 26 | 48 | Ω |
| | | | I _{COM_} = 200mA | 22 | 32 | |
| | | V _{PP} = +100V, V _{NN} = -100V, V _{COM_} = 0V | I _{COM_} = 5mA | 22 | 30 | |
| | | | I _{COM_} = 200mA | 18 | 27 | |
| | | V _{PP} = +160V, V _{NN} = -40V, V _{COM_} = 0V | I _{COM_} = 5mA | 20 | 30 | |
| | | | I _{COM_} = 200mA | 16 | 27 | |
| Small-Signal Switch On-Resistance Matching | ΔR _{ONS} | V _{PP} = +100V, V _{NN} = -100V, V _{COM_} = 0V, I _{COM_} = 5mA | | 5 | | % |
| Large-Signal Switch On-Resistance | R _{ONL} | V _{COM_} = V _{PP} - 10V, I _{COM_} = 1A | | 15 | | Ω |
| Shunt Resistance | R _{INT} | NO_ or COM_ to GND (MAX14803/MAX14803A), switch off | 30 | 40 | 50 | KΩ |
| Switch-Off Leakage | I _{COM_(OFF)} , I _{NO_(OFF)} | V _{COM_} , V _{NO_} = +100V or unconnected | | 0 | 2 | μA |
| Switch-Off DC Offset | | R _L = 100kΩ | -30 | | +30 | mV |
| Switch-Output Peak Current | | 100ns pulse width, 0.1% duty cycle (Note 4) | | 3 | | A |
| Switch-Output COM_ Isolation Diode Current | | 300ns pulse width, 2% duty cycle (Note 4) | | 500 | | mA |

MAX14802/MAX14803/MAX14803A

Low-Charge Injection, 16-Channel, High-Voltage Analog Switches

ELECTRICAL CHARACTERISTICS (continued)

($V_{DD} = +2.7V$ to $+5.5V$, $V_{PP} = +40V$ to $V_{NN} + 250V$, $V_{NN} = -40V$ to $-160V$, $T_A = T_{MIN}$ to T_{MAX} , unless otherwise noted. Typical values are at $T_A = +25^\circ C$.) (Note 2)

| PARAMETER | SYMBOL | CONDITIONS | MIN | TYP | MAX | UNITS |
|--|---------------------------------------|--|-----------------|-----|------|---------|
| SWITCH DYNAMIC CHARACTERISTICS | | | | | | |
| Turn-On Time | t_{ON} | $V_{NO_} = +100V$, $R_L = 10k\Omega$, $V_{NN} = -100V$ | | 2 | 3.5 | μs |
| Turn-Off Time | t_{OFF} | $V_{NO_} = +100V$, $R_L = 10k\Omega$, $V_{NN} = -100V$ | | 2 | 3.5 | μs |
| Output Switching Frequency | f_{SW} | Duty cycle = 50% | | | 50 | kHz |
| Maximum $V_{COM_}$, $V_{NO_}$ Slew Rate | dV/dt | (Note 4) | 20 | | | V/ns |
| Off-Isolation | V_{ISO} | $f = 5MHz$, $R_L = 1k\Omega$, $C_L = 15pF$ | | -50 | | dB |
| | | $f = 5MHz$, $R_L = 50\Omega$ | | -77 | | |
| Crosstalk | V_{CT} | $f = 5MHz$, $R_L = 50\Omega$ | | -80 | | dB |
| $COM_$, $NO_$ Off-Capacitance | $C_{COM_}(OFF)$, $C_{NO_}(OFF)$ | $V_{COM_} = 0V$, $V_{NO_} = 0V$, $f = 1MHz$ (Note 4) | 4 | 11 | 18 | pF |
| $COM_$ On-Capacitance | $C_{COM_}(ON)$ | $V_{COM_} = 0V$, $f = 1MHz$ (Note 4) | 20 | 36 | 56 | pF |
| Output-Voltage Spike | V_{SPK} | $R_L = 50\Omega$ (Note 4) | -150 | | +150 | mV |
| Small-Signal Analog Bandwidth | f_{BW} | $V_{PP} = +100V$, $V_{NN} = -100V$, $C_L = 200pF$ | | 20 | | MHz |
| Charge Injection | Q | $V_{PP} = +40V$, $V_{NN} = -160V$, $V_{COM_} = 0V$ | | 820 | | pC |
| | | $V_{PP} = +100V$, $V_{NN} = -100V$, $V_{COM_} = 0V$ | | 600 | | |
| | | $V_{PP} = +160V$, $V_{NN} = -40V$, $V_{COM_} = 0V$ | | 350 | | |
| LOGIC LEVELS | | | | | | |
| Logic-Input Low Voltage | V_{IL} | | | | 0.75 | V |
| Logic-Input High Voltage | V_{IH} | | $V_{DD} - 0.75$ | | | V |
| Logic-Output Low Voltage | V_{OL} | $I_{SINK} = 1mA$ | | | 0.4 | V |
| Logic-Output High Voltage | V_{OH} | $I_{SOURCE} = 0.75mA$ | $V_{DD} - 0.5$ | | | V |
| Logic-Input Capacitance | C_{IN} | (Note 4) | | | 10 | pF |
| Logic-Input Leakage | I_{IN} | | -1 | | +1 | μA |

MAX14802/MAX14803/MAX14803A

Low-Charge Injection, 16-Channel, High-Voltage Analog Switches

TIMING CHARACTERISTICS

($V_{DD} = +2.7V$ to $+5.5V$, $V_{PP} = +40V$ to $V_{NN} + 200V$, $V_{NN} = -40V$ to $-160V$, $T_A = T_{MIN}$ to T_{MAX} , unless otherwise noted. Typical values are at $T_A = +25^\circ C$.) (Note 2)

| PARAMETER | SYMBOL | CONDITIONS | MIN | TYP | MAX | UNITS |
|-----------------------------------|------------|-------------------------|-----|-----|-----|-------|
| LOGIC TIMING (Figure 1) | | | | | | |
| CLK Frequency | f_{CLK} | $V_{DD} = +5V \pm 10\%$ | | | 20 | MHz |
| | | $V_{DD} = +3V \pm 10\%$ | | | 10 | |
| DIN to CLK Setup Time | t_{DS} | $V_{DD} = +5V \pm 10\%$ | 10 | | | ns |
| | | $V_{DD} = +3V \pm 10\%$ | 16 | | | |
| DIN to CLK Hold Time | t_{DH} | $V_{DD} = +5V \pm 10\%$ | 3 | | | ns |
| | | $V_{DD} = +3V \pm 10\%$ | 3 | | | |
| CLK to \overline{LE} Setup Time | t_{CS} | $V_{DD} = +5V \pm 10\%$ | 36 | | | ns |
| | | $V_{DD} = +3V \pm 10\%$ | 65 | | | |
| \overline{LE} Low-Pulse Width | t_{WL} | $V_{DD} = +5V \pm 10\%$ | 14 | | | ns |
| | | $V_{DD} = +3V \pm 10\%$ | 22 | | | |
| CLR High-Pulse Width | t_{WC} | $V_{DD} = +5V \pm 10\%$ | 20 | | | ns |
| | | $V_{DD} = +3V \pm 10\%$ | 40 | | | |
| CLK Rise and Fall Times | t_R, t_F | $V_{DD} = +5V \pm 10\%$ | | | 50 | ns |
| | | $V_{DD} = +3V \pm 10\%$ | | | 50 | |
| CLK to DOUT Delay | t_{DO} | $V_{DD} = +5V \pm 10\%$ | 6 | | 42 | ns |
| | | $V_{DD} = +3V \pm 10\%$ | 12 | | 80 | |

Note 2: All devices are 100% tested at $T_A = +70^\circ C$. Limits over the operating temperature range are guaranteed by design and characterization.

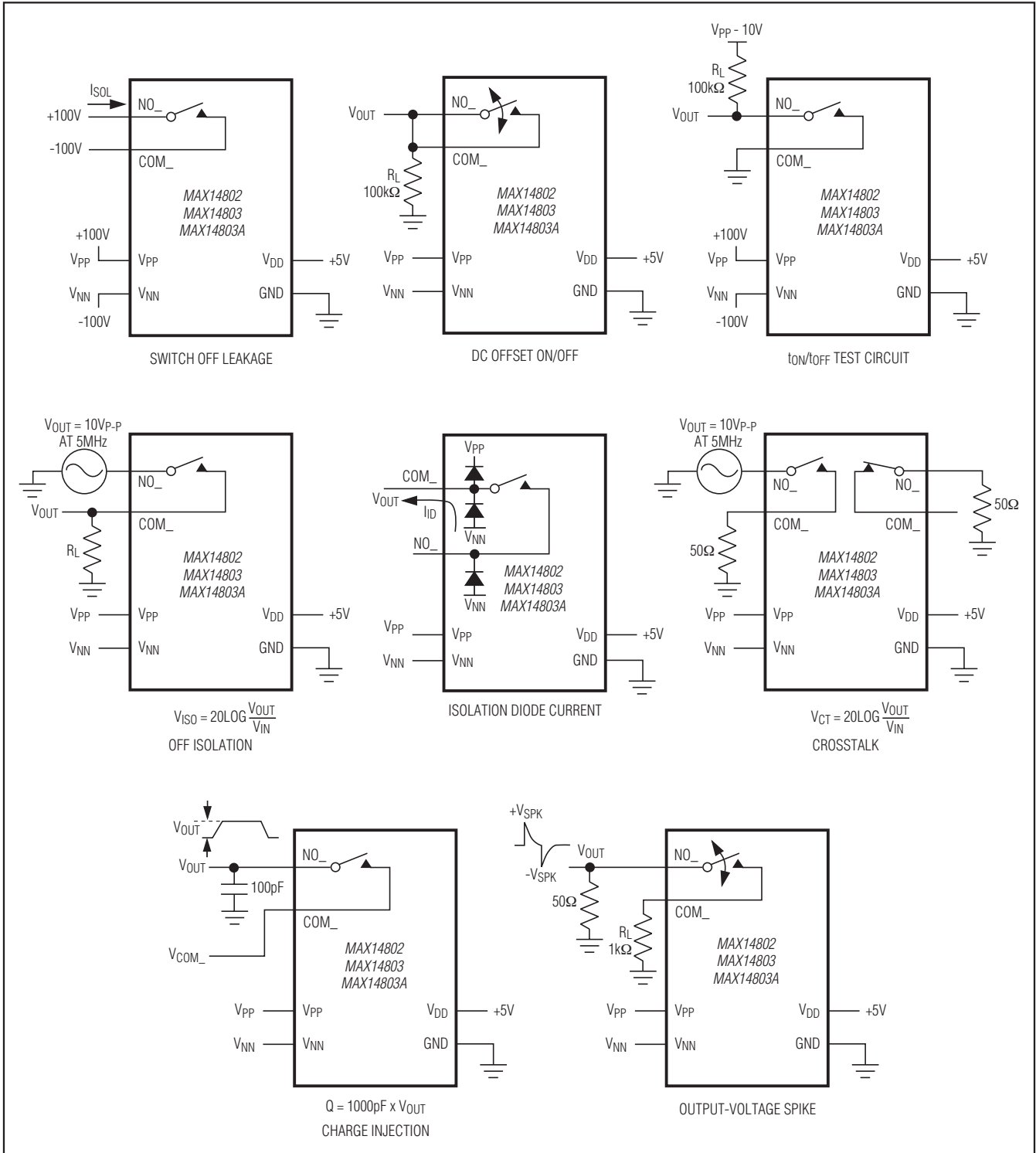
Note 3: The analog signal input $V_{COM_}$ and $V_{NO_}$ must satisfy $V_{NN} \leq (V_{COM_}, V_{NO_}) \leq V_{PP}$, or remain unconnected during power-up and power-down.

Note 4: Guaranteed by characterization; not production tested.

MAX14802/MAX14803/MAX14803A

Low-Charge Injection, 16-Channel, High-Voltage Analog Switches

Test Circuits

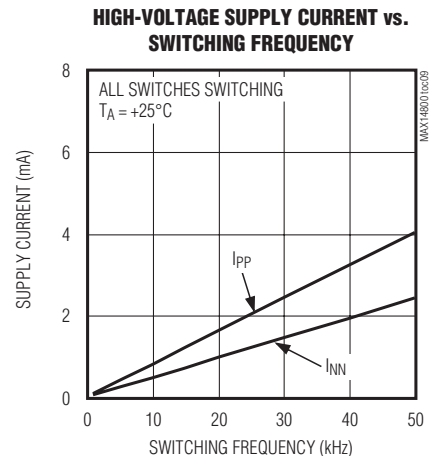
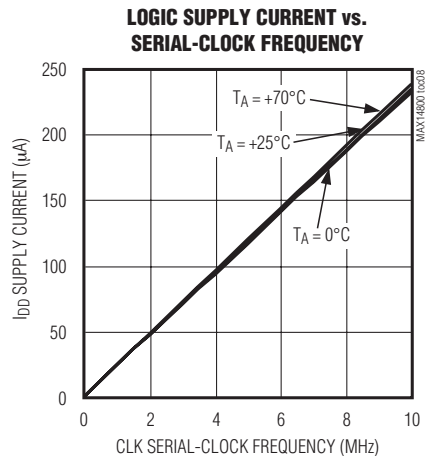
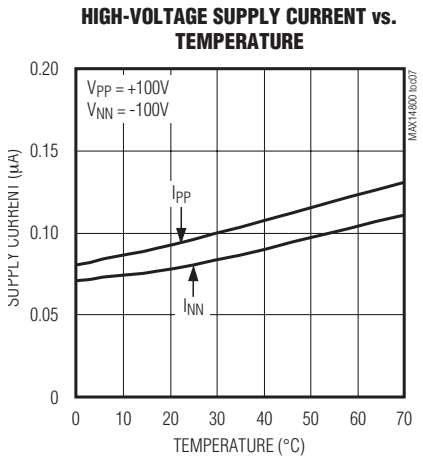
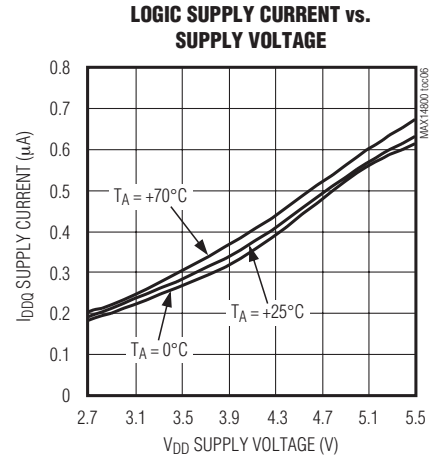
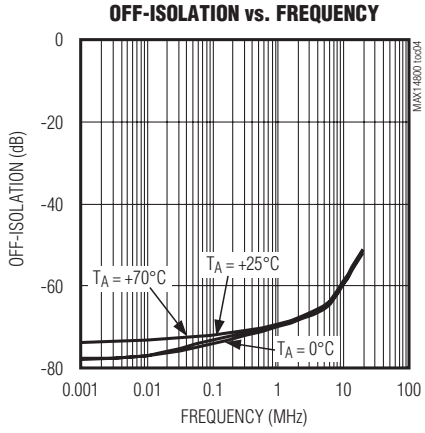
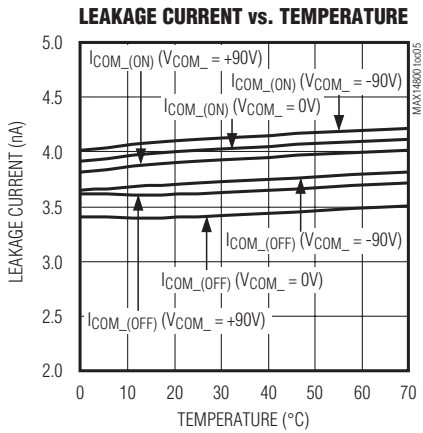
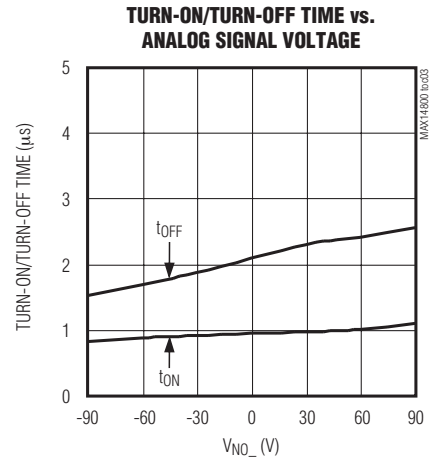
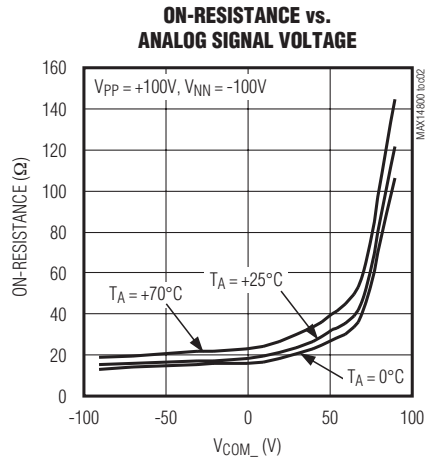
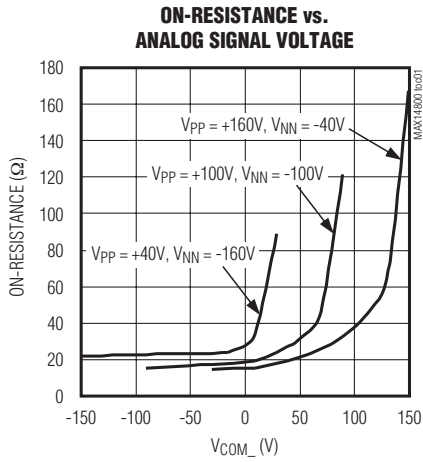


MAX14802/MAX14803/MAX14803A

Low-Charge Injection, 16-Channel, High-Voltage Analog Switches

Typical Operating Characteristics

($V_{DD} = +3V$, $V_{PP} = +100V$, $V_{NN} = -100V$, $T_A = +25^\circ C$, unless otherwise noted.)



MAX14802/MAX14803/MAX14803A

Low-Charge Injection, 16-Channel, High-Voltage Analog Switches

Pin Description

| PIN | | NAME | FUNCTION |
|--------------------------|--|-----------------|--|
| TQFP | WLP | | |
| 1, 2, 14, 16, 24, 35, 36 | A1, A3, A5, A8, A9, A11, B1–B5, B10, B11, C1, C3, C5, C6, C7, C9, C11, D2, D4–D8, D10, E1, E3–E9, E11, F2, F4–F8, F10, G1, G3, G5, G6, G7, G9, G11, H2, H4, H6, H8, H10, J1, J3, J5, J6, J7, J9, J11, K1, K2, K4, K6, K8, K10, K11 | N.C. | No Connection. Not internally connected. |
| 3 | J2 | COM4 | Analog Switch 4—Common Terminal |
| 4 | H1 | NO4 | Analog Switch 4—Normally-Open Terminal |
| 5 | F3 | NO3 | Analog Switch 3—Normally-Open Terminal |
| 6 | F1 | COM3 | Analog Switch 3—Common Terminal |
| 7 | G2 | NO2 | Analog Switch 2—Normally-Open Terminal |
| 8 | E2 | COM2 | Analog Switch 2—Common Terminal |
| 9 | D3 | COM1 | Analog Switch 1—Common Terminal |
| 10 | D1 | NO1 | Analog Switch 1—Normally-Open Terminal |
| 11 | C2 | NO0 | Analog Switch 0—Normally-Open Terminal |
| 12 | C4 | COM0 | Analog Switch 0—Common Terminal |
| 13 | A4 | V _{NN} | Negative High-Voltage Supply. Bypass V _{NN} to GND with a 0.1µF or greater ceramic capacitor. |
| 15 | A2 | V _{PP} | Positive High-Voltage Supply. Bypass V _{PP} to GND with a 0.1µF or greater ceramic capacitor. |
| 17 | B6 | GND | Ground |
| 18 | A10 | V _{DD} | Digital Supply Voltage. Bypass V _{DD} to GND with a 0.1µF or greater ceramic capacitor. |
| 19 | B7 | DIN | Serial-Data Input |
| 20 | A6 | CLK | Serial-Clock Input |
| 21 | B8 | \overline{LE} | Active-Low, Latch-Enable Input |
| 22 | B9 | CLR | Latch Clear Input |
| 23 | A7 | DOUT | Serial-Data Output |
| 25 | C8 | COM15 | Analog Switch 15—Common Terminal |
| 26 | C10 | NO15 | Analog Switch 15—Normally-Open Terminal |
| 27 | D11 | NO14 | Analog Switch 14—Normally-Open Terminal |
| 28 | D9 | COM14 | Analog Switch 14—Common Terminal |
| 29 | E10 | COM13 | Analog Switch 13—Common Terminal |
| 30 | G10 | NO13 | Analog Switch 13—Normally-Open Terminal |
| 31 | F11 | COM12 | Analog Switch 12—Common Terminal |

MAX14802/MAX14803/MAX14803A

Low-Charge Injection, 16-Channel, High-Voltage Analog Switches

Pin Description (continued)

| PIN | | NAME | FUNCTION |
|------|-----|-------|---|
| TQFP | WLP | | |
| 32 | F9 | NO12 | Analog Switch 12—Normally-Open Terminal |
| 33 | H11 | NO11 | Analog Switch 11—Normally-Open Terminal |
| 34 | J10 | COM11 | Analog Switch 11—Common Terminal |
| 37 | H9 | COM10 | Analog Switch 10—Common Terminal |
| 38 | K9 | NO10 | Analog Switch 10—Normally-Open Terminal |
| 39 | J8 | COM9 | Analog Switch 9—Common Terminal |
| 40 | G8 | NO9 | Analog Switch 9—Normally-Open Terminal |
| 41 | H7 | COM8 | Analog Switch 8—Common Terminal |
| 42 | K7 | NO8 | Analog Switch 8—Normally-Open Terminal |
| 43 | K5 | NO7 | Analog Switch 7—Normally-Open Terminal |
| 44 | H5 | COM7 | Analog Switch 7—Common Terminal |
| 45 | G4 | NO6 | Analog Switch 6—Normally-Open Terminal |
| 46 | J4 | COM6 | Analog Switch 6—Common Terminal |
| 47 | K3 | NO5 | Analog Switch 5—Normally-Open Terminal |
| 48 | H3 | COM5 | Analog Switch 5—Common Terminal |

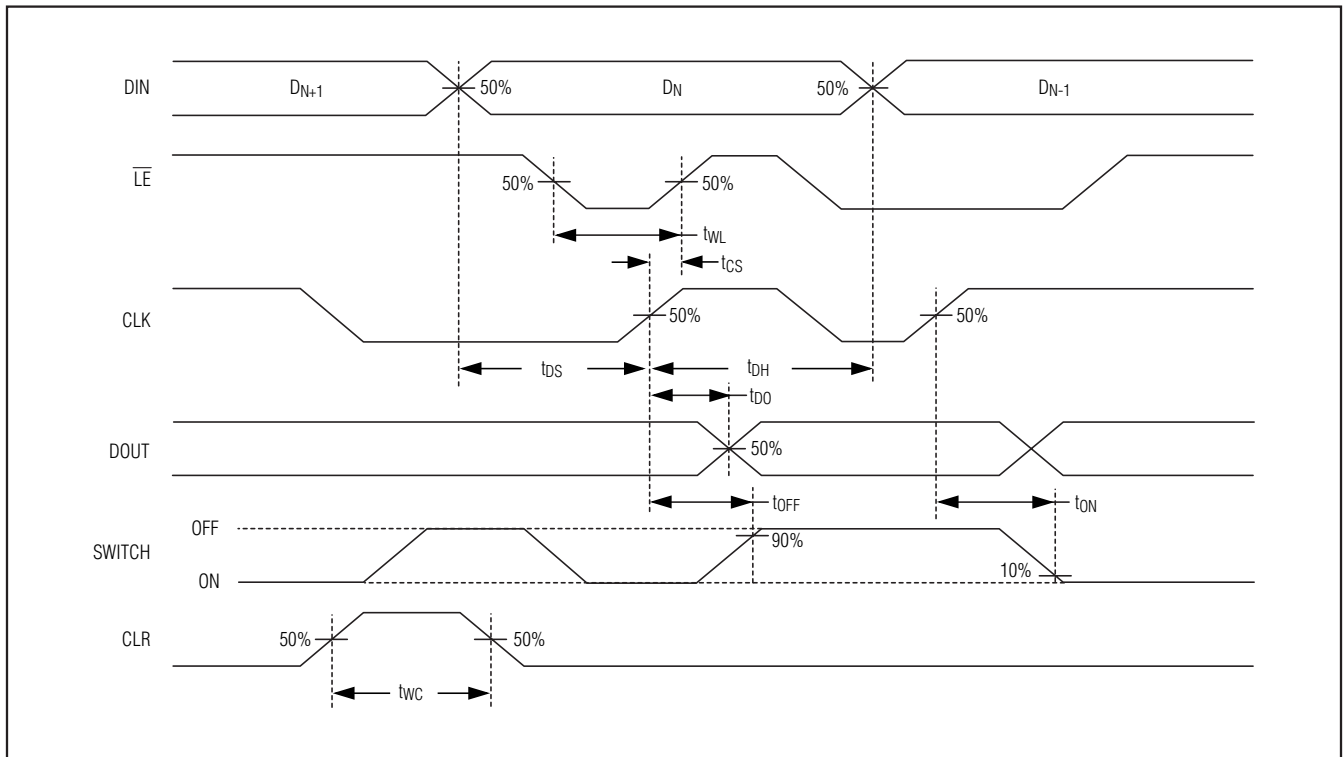


Figure 1. Serial Interface Timing

MAX14802/MAX14803/MAX14803A

Low-Charge Injection, 16-Channel, High-Voltage Analog Switches

Detailed Description

The MAX14802/MAX14803/MAX14803A provide high-voltage switching on 16 channels for ultrasound imaging and printer applications. The devices utilize HVCMOS process technology to provide 16 high-voltage low-charge-injection SPST switches, controlled by a digital interface. Data is clocked into an internal 16-bit shift register and retained by a programmable latch with enable and clear inputs. A power-on-reset function ensures that all switches are open on power-up.

The MAX14802/MAX14803/MAX14803A operate with a wide range of high-voltage supplies including: $V_{PP}/V_{NN} = +100V/-100V$, $+200V/0V$, or $+40V/-160V$. The digital interface operates from a separate $+2.7V$ to $+5.5V$ V_{DD} supply. Digital inputs DIN, CLK, \overline{LE} , and CLR operate on the V_{DD} supply voltage. The MAX14803/MAX14803A provide integrated $35k\Omega$ bleed resistors on each switch terminal to discharge capacitive loads. The MAX14802/MAX14803/MAX14803A feature clamping diodes (at the COM₁). These clamping diodes provide overvoltage protection against positive overshoot.

Analog Switch

The MAX14802/MAX14803/MAX14803A allow a peak-to-peak analog signal range from V_{NN} to the minimum of either $V_{NN} + 200V$ or $(V_{PP} - 10V)$. Analog switch inputs must be unconnected, or satisfy $V_{NN} \leq (V_{COM1}, V_{NO1}) \leq V_{PP}$ during power-up and power-down.

High-Voltage Supplies

The MAX14802/MAX14803/MAX14803A allow a wide range of high-voltage supplies. The devices operate with V_{NN} from $-160V$ to 0 and V_{PP} from $+40V$ to $V_{NN} + 250V$. When V_{NN} is connected to GND (single-supply applications), the devices operate with V_{PP} up to $+200V$. The V_{PP} and V_{NN} high-voltage supplies are not required to be symmetrical, but the voltage difference ($V_{PP} - V_{NN}$) must not exceed $250V$.

Bleed Resistors (MAX14803/MAX14803A)

The MAX14803/MAX14803A feature integrated $35k\Omega$ bleed resistors to discharge capacitive loads such as piezoelectric transducers. Each analog switch terminal is connected to GND with a bleed resistor.

Overvoltage Protection

The MAX14802/MAX14803/MAX14803A feature clamping diodes (at the COM₁). These clamping diodes provide overvoltage protection against positive overshoot.

Serial Interface

The MAX14802/MAX14803/MAX14803A are controlled by a serial interface with a 16-bit serial shift register and transparent latch. Each of the 16 data bits controls a single analog switch (Table 1). Data on DIN is clocked with the most significant bit (MSB) first into the shift register on the rising edge of CLK. Data is clocked out of the shift register onto DOUT on the rising edge of CLK. DOUT reflects the status of DIN, delayed by 16 clock cycles (Figures 1 and 2).

Latch Enable (\overline{LE})

Drive \overline{LE} logic-low to change the contents of the latch and update the state of the high-voltage switches (Figure 2). Drive \overline{LE} logic-high to freeze the contents of the latch and prevent changes to the switch states. To reduce noise due to clock feedthrough, drive \overline{LE} logic-high while data is clocked into the shift register. After the data shift register is loaded with valid data, pulse \overline{LE} logic-low to load the contents of the shift register into the latch.

Latch Clear (CLR)

The MAX14802/MAX14803/MAX14803A feature a latch clear input. Drive CLR logic-high to reset the contents of the latch to zero and open all switches. CLR does not affect the contents of the data shift register. Pulse \overline{LE} logic-low to reload the contents of the shift register into the latch.

Power-On Reset

The MAX14802/MAX14803/MAX14803A feature a power-on-reset circuit to ensure all switches are open at power-on. The internal 16-bit serial shift register and latch are set to zero on power-up.

MAX14802/MAX14803/MAX14803A

Low-Charge Injection, 16-Channel, High-Voltage Analog Switches

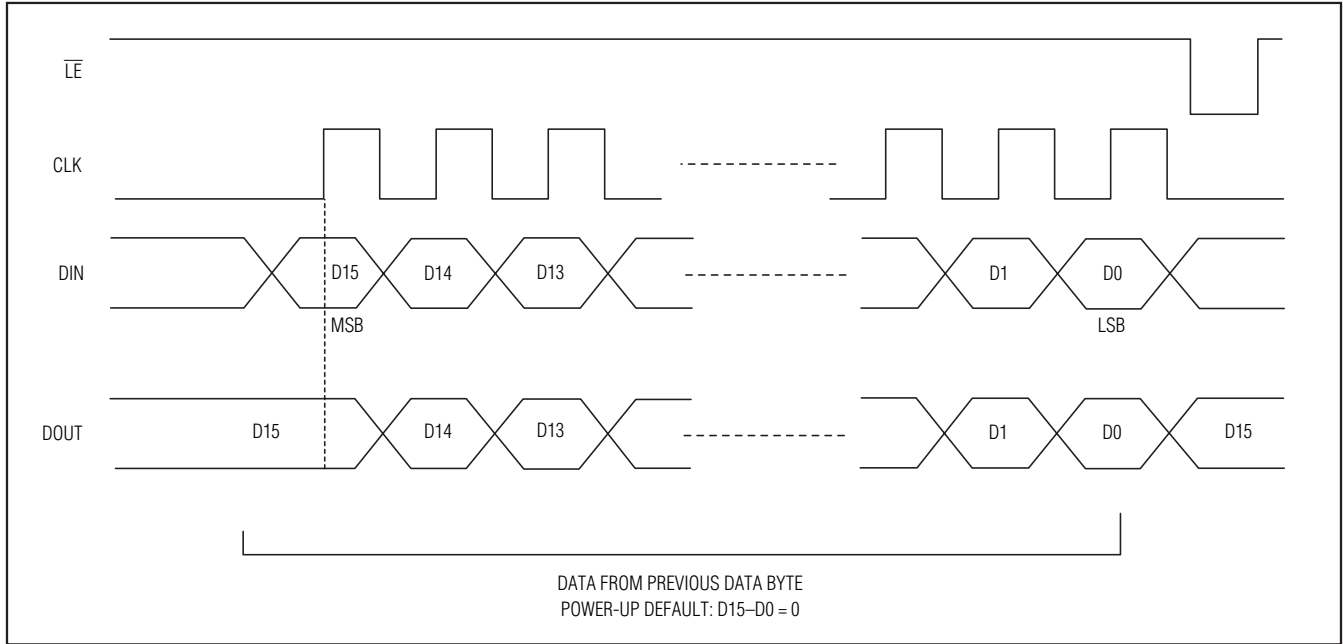


Figure 2. Latch Enable Interface Timing

Table 1. Serial Interface Programming (Notes 5–10)

| DATA BITS | | | | | | | | CONTROL BITS | | FUNCTION | | | | | | | | |
|-----------|----|----|----|----|----|----|----|------------------------|-----|---------------------|-----|-----|-----|-----|-----|-----|-----|-----|
| D0 (LSB) | D1 | D2 | D3 | D4 | D5 | D6 | D7 | $\overline{\text{LE}}$ | CLR | SW0 | SW1 | SW2 | SW3 | SW4 | SW5 | SW6 | SW7 | |
| L | | | | | | | | L | L | OFF | | | | | | | | |
| H | | | | | | | | L | L | ON | | | | | | | | |
| | L | | | | | | | L | L | | OFF | | | | | | | |
| | H | | | | | | | L | L | | ON | | | | | | | |
| | | L | | | | | | L | L | | | OFF | | | | | | |
| | | H | | | | | | L | L | | | ON | | | | | | |
| | | | L | | | | | L | L | | | | OFF | | | | | |
| | | | H | | | | | L | L | | | | ON | | | | | |
| | | | | L | | | | L | L | | | | | OFF | | | | |
| | | | | H | | | | L | L | | | | | ON | | | | |
| | | | | | L | | | L | L | | | | | | OFF | | | |
| | | | | | H | | | L | L | | | | | | ON | | | |
| | | | | | | L | | L | L | | | | | | | | OFF | |
| | | | | | | H | | L | L | | | | | | | | ON | |
| X | X | X | X | X | X | X | X | H | L | HOLD PREVIOUS STATE | | | | | | | | |
| X | X | X | X | X | X | X | X | X | H | OFF | OFF | OFF | OFF | OFF | OFF | OFF | OFF | OFF |

MAX14802/MAX14803/MAX14803A

Low-Charge Injection, 16-Channel, High-Voltage Analog Switches

Table 1. Serial Interface Programming (Notes 5–10) (continued)

| DATA BITS | | | | | | | | CONTROL BITS | | FUNCTION | | | | | | | | |
|-----------|----|-----|-----|-----|-----|-----|-----------|------------------------|-----|---------------------|-----|------|------|------|------|------|------|-----|
| D8 | D9 | D10 | D11 | D12 | D13 | D14 | D15 (MSB) | $\overline{\text{LE}}$ | CLR | SW8 | SW9 | SW10 | SW11 | SW12 | SW13 | SW14 | SW15 | |
| L | | | | | | | | L | L | OFF | | | | | | | | |
| H | | | | | | | | L | L | ON | | | | | | | | |
| | L | | | | | | | L | L | | OFF | | | | | | | |
| | H | | | | | | | L | L | | ON | | | | | | | |
| | | L | | | | | | L | L | | | OFF | | | | | | |
| | | H | | | | | | L | L | | | ON | | | | | | |
| | | | L | | | | | L | L | | | | OFF | | | | | |
| | | | H | | | | | L | L | | | | ON | | | | | |
| | | | | L | | | | L | L | | | | | OFF | | | | |
| | | | | H | | | | L | L | | | | | ON | | | | |
| | | | | | L | | | L | L | | | | | | OFF | | | |
| | | | | | H | | | L | L | | | | | | ON | | | |
| | | | | | | L | | L | L | | | | | | | | OFF | |
| | | | | | | H | | L | L | | | | | | | | ON | |
| | | | | | | | L | L | L | | | | | | | | OFF | |
| | | | | | | | H | L | L | | | | | | | | ON | |
| X | X | X | X | X | X | X | X | H | L | HOLD PREVIOUS STATE | | | | | | | | |
| X | X | X | X | X | X | X | X | X | H | OFF | OFF | OFF | OFF | OFF | OFF | OFF | OFF | OFF |

X = Don't care.

Note 5: The 16 switches operate independently.

Note 6: Serial data is clocked in on the rising edge of CLK.

Note 7: The switches go to a state retaining their present condition on the rising edge of $\overline{\text{LE}}$. When $\overline{\text{LE}}$ is low, the shift register data flows through the latch.

Note 8: DOUT is high when switch 15 is on.

Note 9: Shift register clocking has no effect on the switch states if $\overline{\text{LE}}$ is high.

Note 10: The CLR input overrides all other inputs.

MAX14802/MAX14803/MAX14803A

Low-Charge Injection, 16-Channel, High-Voltage Analog Switches

Applications Information

For medical ultrasound applications, see Figures 4, 5, and 6.

Logic Levels

The MAX14802/MAX14803/MAX14803A digital interface inputs CLK, DIN, \overline{LE} , and CLR operate on the V_{DD} supply voltage.

Daisy-Chaining Multiple Devices

Digital output DOUT is provided to allow the connection of multiple MAX14802/MAX14803/MAX14803A devices by daisy-chaining (Figure 3). Connect each DOUT to the DIN of the subsequent device in the chain. Connect CLK, \overline{LE} , and CLR inputs of all devices, and drive \overline{LE} logic-low to update all devices simultaneously. Drive CLR high to open all the switches simultaneously. Additional shift registers can be included anywhere in series with the MAX14802/MAX14803/MAX14803A data chain.

Supply Sequencing and Bypassing

The MAX14802/MAX14803/MAX14803A do not require special sequencing of the V_{DD} , V_{PP} , and V_{NN} supply voltages; however, analog switch inputs must be unconnected, or satisfy $V_{NN} \leq (V_{COM_}, V_{NO_}) \leq V_{PP}$ during power-up and power-down. Bypass V_{DD} , V_{PP} , and V_{NN} to GND with a 0.1 μ F ceramic capacitor as close as possible to the device.

Application Diagrams

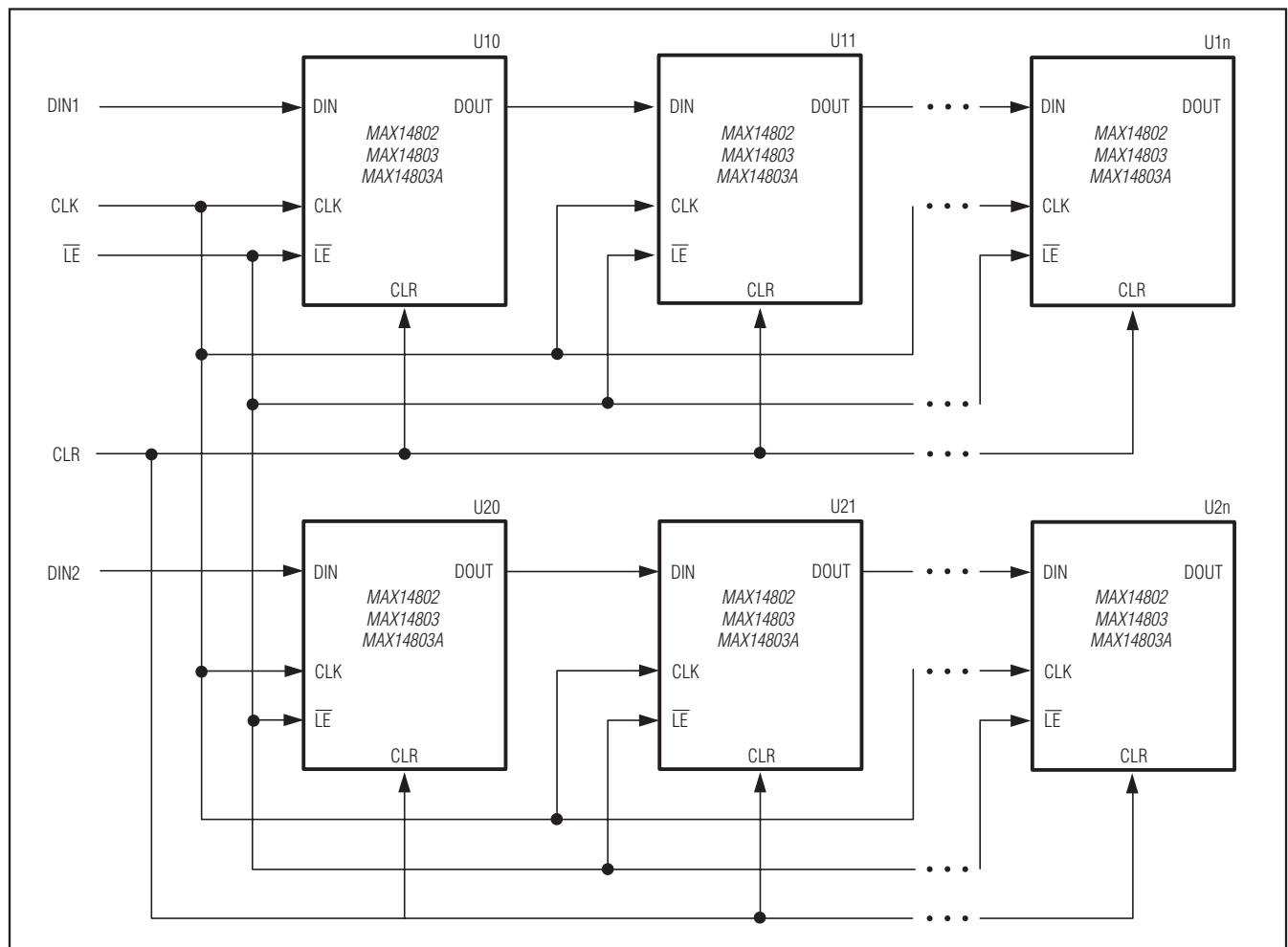


Figure 3. Interfacing Multiple Devices by Daisy-Chaining

MAX14802/MAX14803/MAX14803A

Low-Charge Injection, 16-Channel, High-Voltage Analog Switches

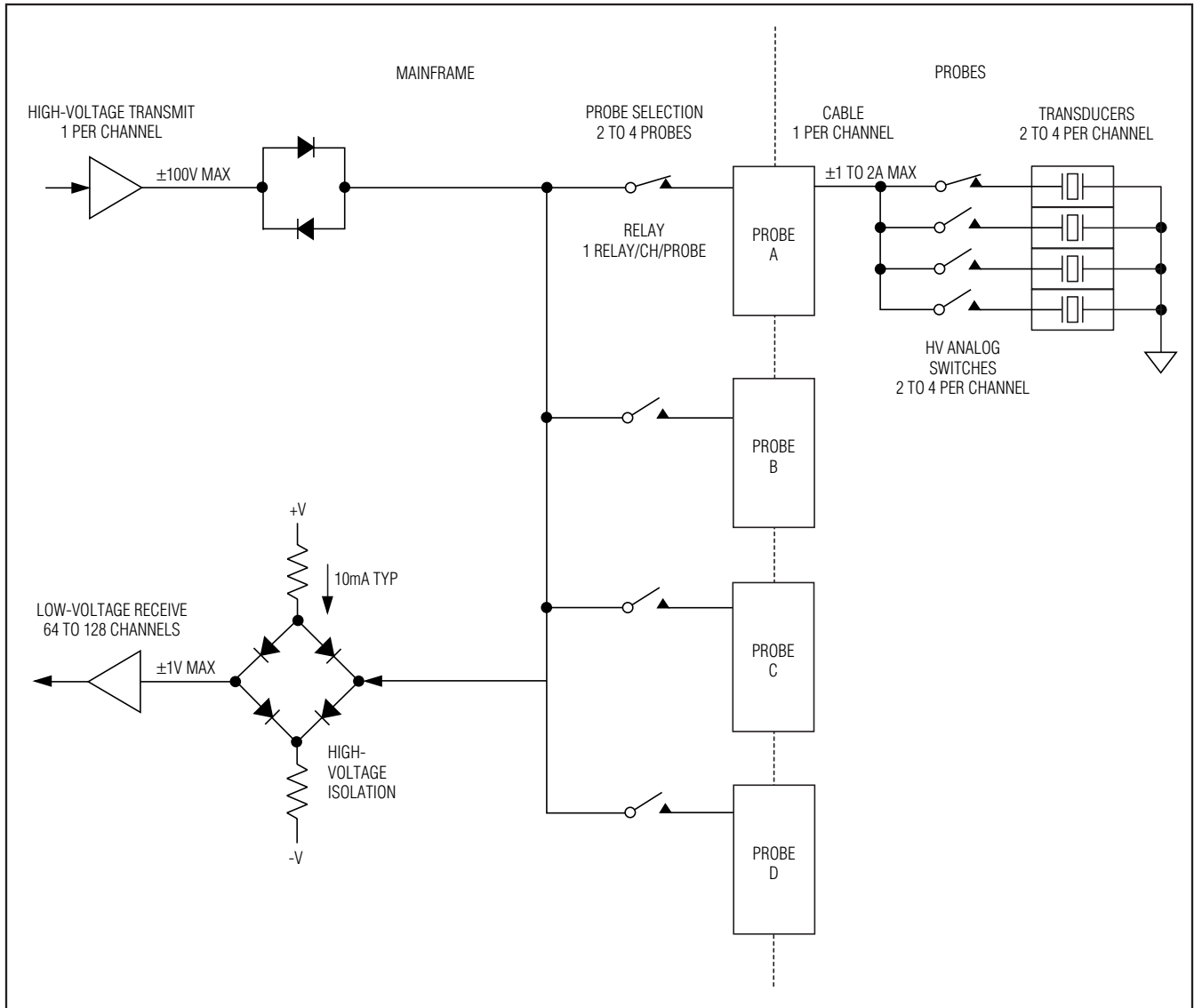


Figure 4. Medical Ultrasound Application—High-Voltage Analog Switches in Probe

MAX14802/MAX14803/MAX14803A

Low-Charge Injection, 16-Channel, High-Voltage Analog Switches

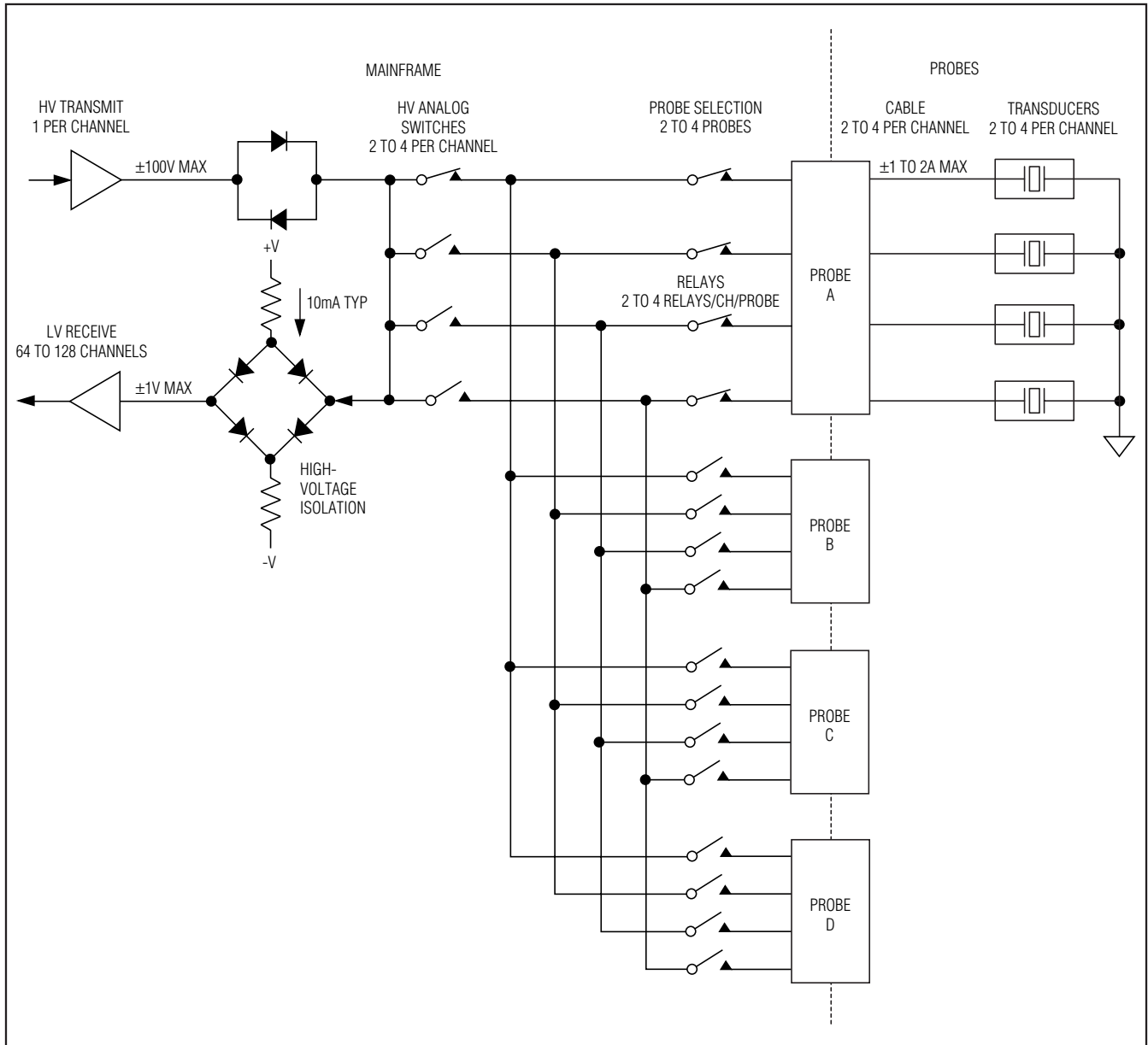


Figure 5. Medical Ultrasound Application—High-Voltage Analog Switches in Mainframe

MAX14802/MAX14803/MAX14803A

Low-Charge Injection, 16-Channel, High-Voltage Analog Switches

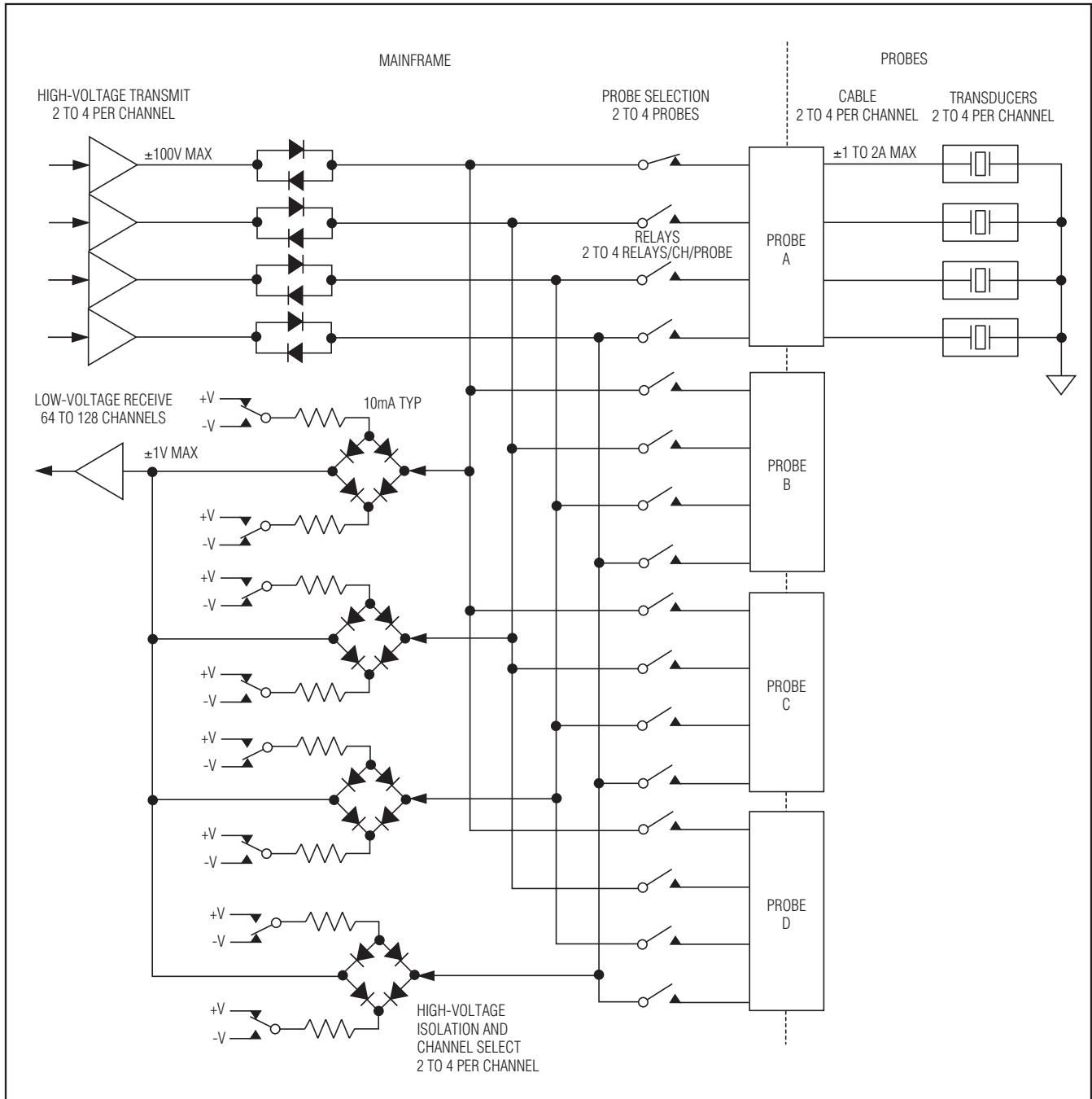
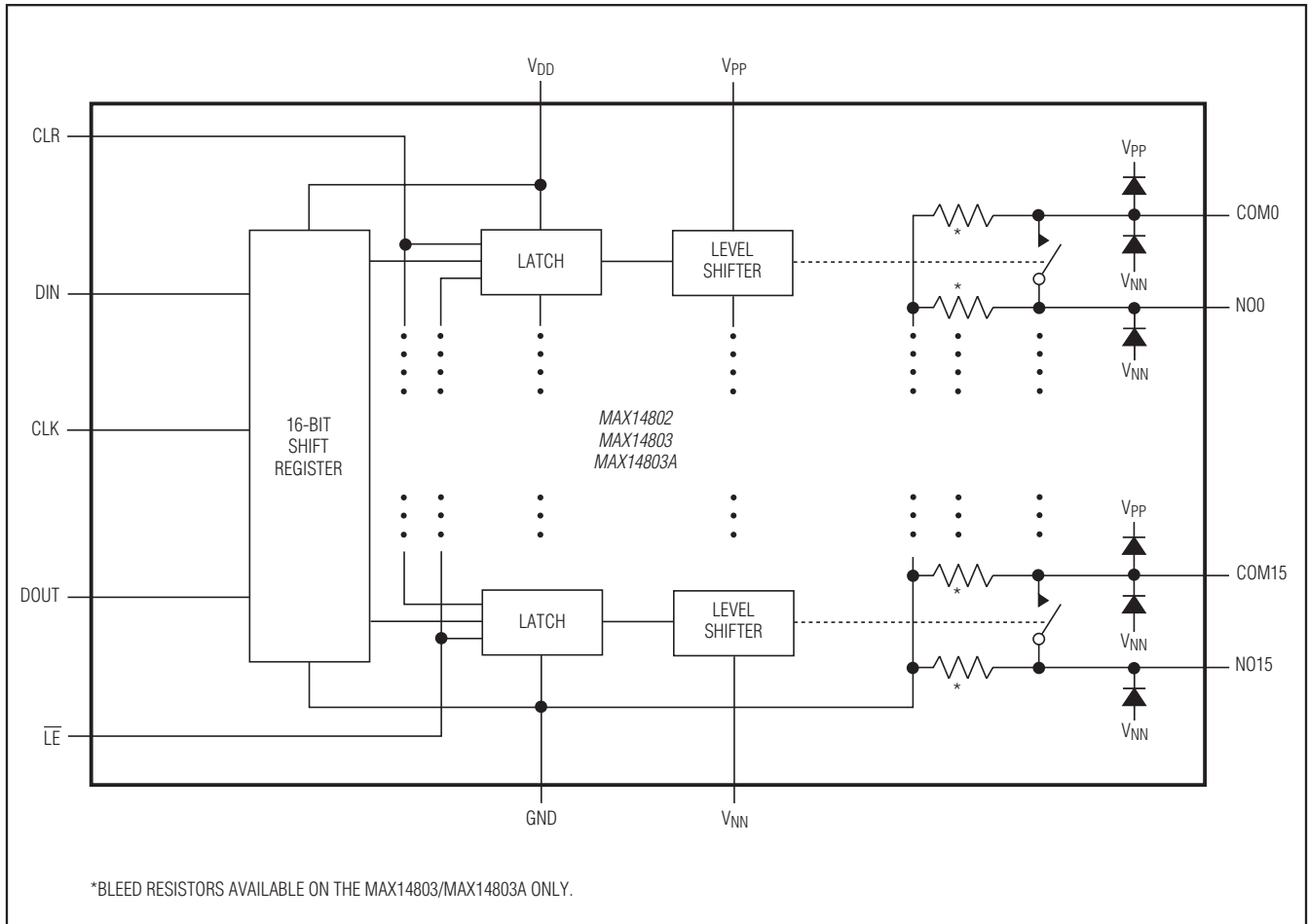


Figure 6. Medical Ultrasound Application—Multiple Transmit and Isolation per Receiver Channel

MAX14802/MAX14803/MAX14803A

Low-Charge Injection, 16-Channel, High-Voltage Analog Switches

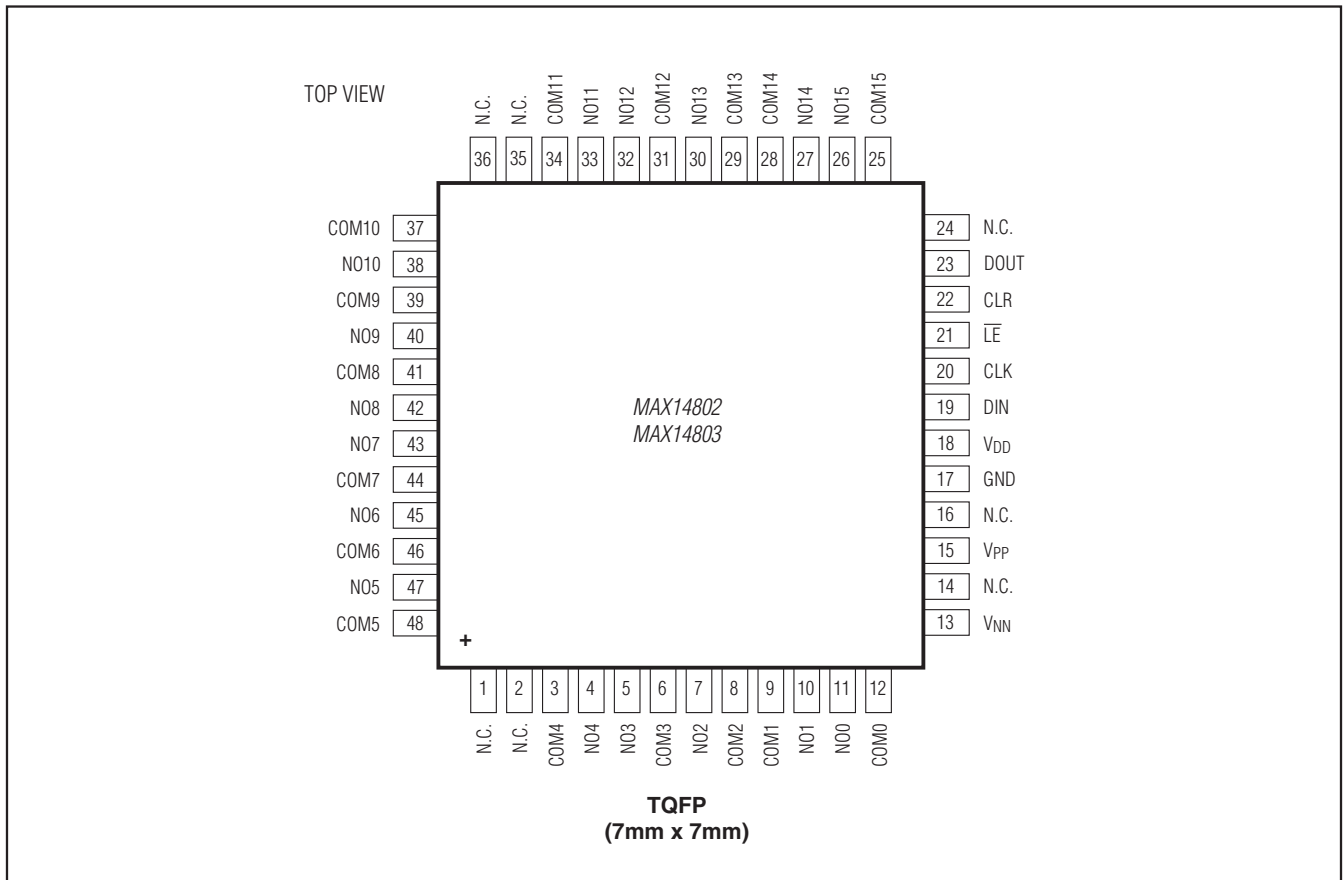
Functional Diagram



MAX14802/MAX14803/MAX14803A

Low-Charge Injection, 16-Channel, High-Voltage Analog Switches

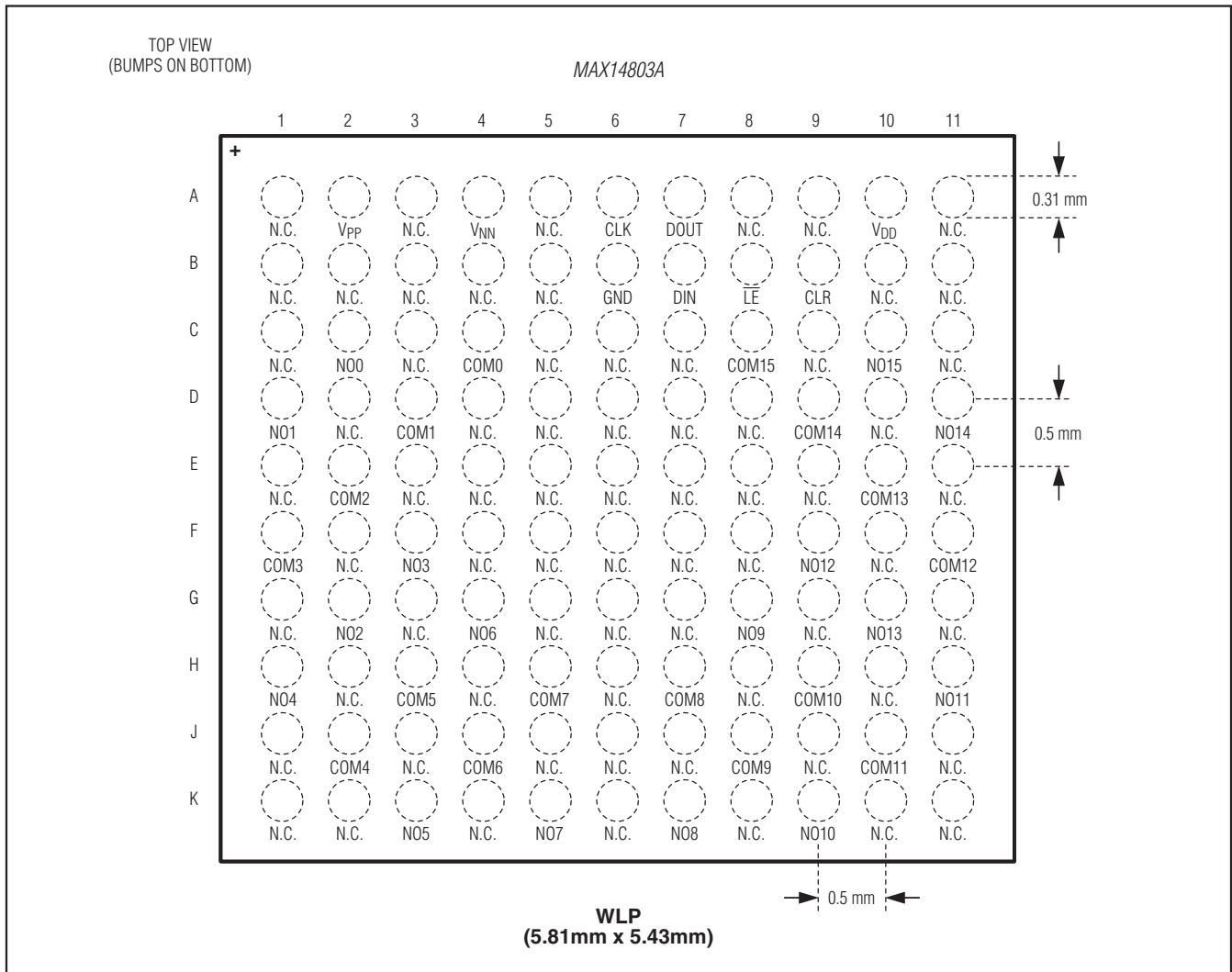
Pin Configurations



MAX14802/MAX14803/MAX14803A

Low-Charge Injection, 16-Channel, High-Voltage Analog Switches

Pin Configurations (continued)



Chip Information

PROCESS: BICMOS

Package Information

For the latest package outline information and land patterns (footprints), go to www.maximintegrated.com/packages. Note that a "+", "#", or "-" in the package code indicates RoHS status only. Package drawings may show a different suffix character, but the drawing pertains to the package regardless of RoHS status.

| PACKAGE TYPE | PACKAGE CODE | OUTLINE NO. | LAND PATTERN NO. |
|--------------|--------------|-------------------------|--|
| 48 TQFP | C48+6 | 21-0054 | 90-0093 |
| 110 WLP | W1105B5+1 | 21-0494 | Refer to Application Note 1891 |

MAX14802/MAX14803/MAX14803A

Low-Charge Injection, 16-Channel, High-Voltage Analog Switches

Revision History

| REVISION NUMBER | REVISION DATE | DESCRIPTION | PAGES CHANGED |
|-----------------|---------------|---|---------------|
| 0 | 4/09 | Initial release | — |
| 1 | 9/09 | Corrected two specifications in the <i>Absolute Maximum Ratings</i> section, changed the minimum of the peak-to-peak analog signal range to “either $V_{NN} + 200V$ or $(V_{PP} - 10V)$ ” | 2, 9 |
| 2 | 11/10 | Deleted the MAX14800/MAX14801 from the entire data sheet and added the MAX14803A; added the WLP part to the <i>Ordering Information</i> , <i>Pin Configurations</i> , <i>Pin Descriptions</i> , and <i>Package Information</i> sections | 1–19 |
| 3 | 8/11 | Added extended temperature information; added MAX14802ECM+ to data sheet | 1 |
| 4 | 6/13 | Updated <i>Absolute Maximum Ratings</i> and <i>Operating Supply Voltages</i> | 1, 2 |



Maxim Integrated cannot assume responsibility for use of any circuitry other than circuitry entirely embodied in a Maxim Integrated product. No circuit patent licenses are implied. Maxim Integrated reserves the right to change the circuitry and specifications without notice at any time. The parametric values (min and max limits) shown in the Electrical Characteristics table are guaranteed. Other parametric values quoted in this data sheet are provided for guidance.



Компания «ЭлектроПласт» предлагает заключение долгосрочных отношений при поставках импортных электронных компонентов на взаимовыгодных условиях!

Наши преимущества:

- Оперативные поставки широкого спектра электронных компонентов отечественного и импортного производства напрямую от производителей и с крупнейших мировых складов;
- Поставка более 17-ти миллионов наименований электронных компонентов;
- Поставка сложных, дефицитных, либо снятых с производства позиций;
- Оперативные сроки поставки под заказ (от 5 рабочих дней);
- Экспресс доставка в любую точку России;
- Техническая поддержка проекта, помощь в подборе аналогов, поставка прототипов;
- Система менеджмента качества сертифицирована по Международному стандарту ISO 9001;
- Лицензия ФСБ на осуществление работ с использованием сведений, составляющих государственную тайну;
- Поставка специализированных компонентов (Xilinx, Altera, Analog Devices, Intersil, Interpoint, Microsemi, Aeroflex, Peregrine, Syfer, Eurofarad, Texas Instrument, Miteq, Cobham, E2V, MA-COM, Hittite, Mini-Circuits, General Dynamics и др.);

Помимо этого, одним из направлений компании «ЭлектроПласт» является направление «Источники питания». Мы предлагаем Вам помощь Конструкторского отдела:

- Подбор оптимального решения, техническое обоснование при выборе компонента;
- Подбор аналогов;
- Консультации по применению компонента;
- Поставка образцов и прототипов;
- Техническая поддержка проекта;
- Защита от снятия компонента с производства.



Как с нами связаться

Телефон: 8 (812) 309 58 32 (многоканальный)

Факс: 8 (812) 320-02-42

Электронная почта: org@eplast1.ru

Адрес: 198099, г. Санкт-Петербург, ул. Калинина, дом 2, корпус 4, литера А.