

## Positive voltage regulator ICs



TO-220



TO-220FP



DPAK


 D<sup>2</sup>PAK

### Features

- Output current up to 1.5 A
- Output voltages of 5; 6; 8; 8.5; 9; 12; 15; 18; 24 V
- Thermal overload protection
- Short circuit protection
- Output transition SOA protection
- 2 % output voltage tolerance (A version)
- Guaranteed in extended temperature range (A version)

### Description

The **L78** series of three-terminal positive regulators is available in TO-220, TO-220FP, D<sup>2</sup>PAK and DPAK packages and several fixed output voltages, making it useful in a wide range of applications.

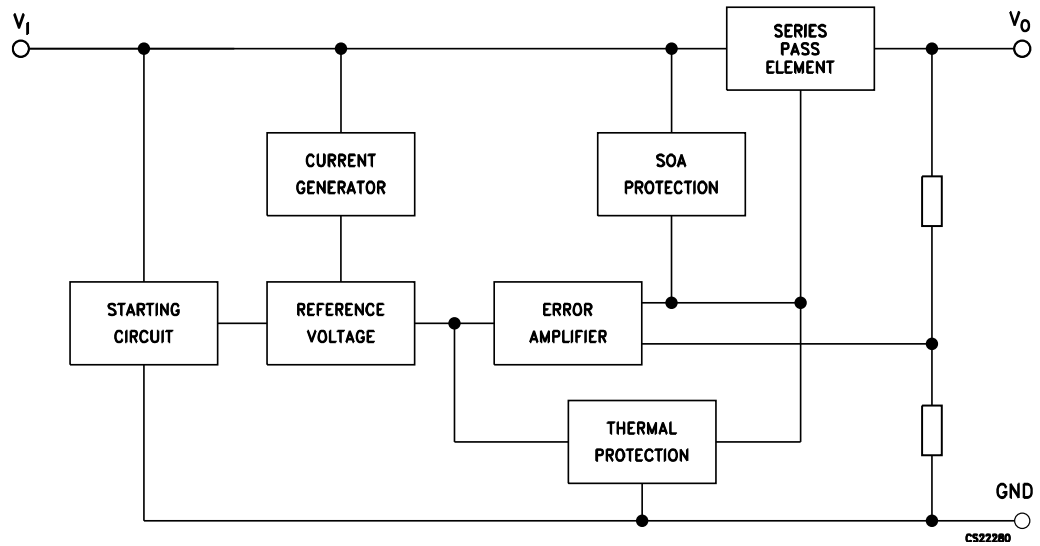
These regulators can provide local on-card regulation, eliminating the distribution problems associated with single point regulation. Each type embeds internal current limiting, thermal shut-down and safe area protection, making it essentially indestructible. If adequate heat sinking is provided, they can deliver over 1 A output current. Although designed primarily as fixed voltage regulators, these devices can be used with external components to obtain adjustable voltage and currents.

Maturity status link

[L78](#)

# 1 Diagram

Figure 2. Block diagram



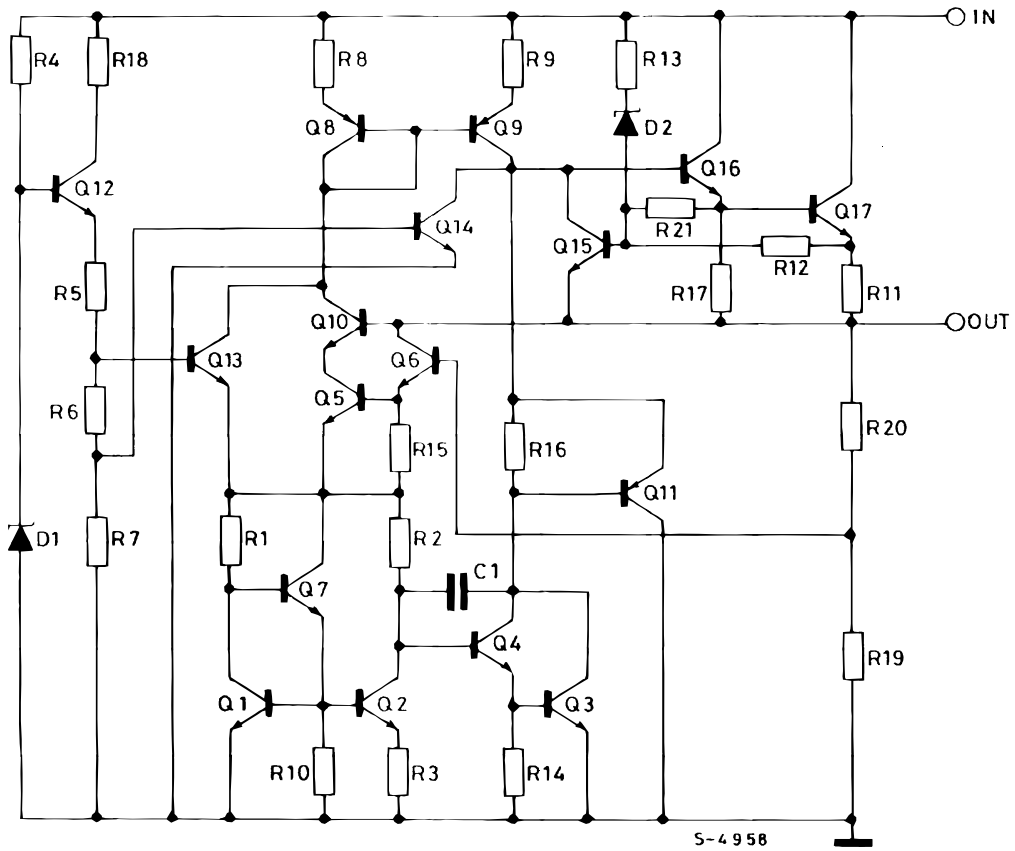
GAMG220920161000MT

## 2 Pin configuration

Figure 3. Pin connections (top view)



Figure 4. Schematic diagram



GAMG220920161002MT

### 3 Maximum ratings

Table 1. Absolute maximum ratings

| Symbol    | Parameter                            | Value                   | Unit       |    |
|-----------|--------------------------------------|-------------------------|------------|----|
| $V_I$     | DC input voltage                     | for $V_O = 5$ to $18$ V | 35         | V  |
|           |                                      | for $V_O = 20, 24$ V    | 40         |    |
| $I_O$     | Output current                       | Internally limited      |            |    |
| $P_D$     | Power dissipation                    | Internally limited      |            |    |
| $T_{STG}$ | Storage temperature range            | -65 to 150              | °C         |    |
| $T_{OP}$  | Operating junction temperature range | for L78xxC, L78xxAC     | 0 to 125   | °C |
|           |                                      | for L78xxAB             | -40 to 125 |    |

Note: Absolute maximum ratings are those values beyond which damage to the device may occur. Functional operation under these condition is not implied.

Table 2. Thermal data

| Symbol     | Parameter                           | D <sup>2</sup> PAK | DPAK | TO-220 | TO-220FP | Unit |
|------------|-------------------------------------|--------------------|------|--------|----------|------|
| $R_{thJC}$ | Thermal resistance junction-case    | 3                  | 8    | 5      | 5        | °C/W |
| $R_{thJA}$ | Thermal resistance junction-ambient | 62.5               | 100  | 50     | 60       | °C/W |

Figure 5. Application circuits



GAMG220920161003MT

## 4 Test circuits

Figure 6. DC parameter



GAMG220920161004MT

Figure 7. Load regulation



GAMG220920161005MT

Figure 8. Ripple rejection



GAMG220920161006MT

## 5 Electrical characteristics

$V_I = 10\text{ V}$ ,  $I_O = 1\text{ A}$ ,  $T_J = 0\text{ to }125\text{ °C}$  (L7805AC),  $T_J = -40\text{ to }125\text{ °C}$  (L7805AB), unless otherwise specified.

**Table 3. Electrical characteristics of L7805A**

| Symbol                      | Parameter                  | Test conditions  | Min. | Typ. | Max. | Unit              |
|-----------------------------|----------------------------|--|------|------|------|-------------------|
| $V_O$                       | Output voltage             | $T_J = 25\text{ °C}$   | 4.9  | 5    | 5.1  | V                 |
| $V_O$                       | Output voltage             | $I_O = 5\text{ mA to }1\text{ A}$ , $V_I = 7.5\text{ to }18\text{ V}$            | 4.8  | 5    | 5.2  | V                 |
| $V_O$                       | Output voltage             | $I_O = 1\text{ A}$ , $V_I = 18\text{ to }20\text{ V}$ , $T_J = 25\text{ °C}$     | 4.8  | 5    | 5.2  | V                 |
| $\Delta V_O$ <sup>(1)</sup> | Line regulation            | $V_I = 7.5\text{ to }25\text{ V}$ , $I_O = 500\text{ mA}$ , $T_J = 25\text{ °C}$ |      | 7    | 50   | mV                |
|                             |                            | $V_I = 8\text{ to }12\text{ V}$  |      | 10   | 50   | mV                |
|                             |                            | $V_I = 8\text{ to }12\text{ V}$ , $T_J = 25\text{ °C}$                           |      | 2    | 25   | mV                |
|                             |                            | $V_I = 7.3\text{ to }20\text{ V}$ , $T_J = 25\text{ °C}$                         |      | 7    | 50   | mV                |
| $\Delta V_O$ <sup>(1)</sup> | Load regulation            | $I_O = 5\text{ mA to }1\text{ A}$  |      | 25   | 100  | mV                |
|                             |                            | $I_O = 5\text{ mA to }1.5\text{ A}$ , $T_J = 25\text{ °C}$                       |      | 30   | 100  |                   |
|                             |                            | $I_O = 250\text{ to }750\text{ mA}$  |      | 8    | 50   |                   |
| $I_q$                       | Quiescent current          | $T_J = 25\text{ °C}$   |      | 4.3  | 6    | mA                |
|                             |                            |  |      |      | 6    | mA                |
| $\Delta I_q$                | Quiescent current change   | $V_I = 8\text{ to }23\text{ V}$ , $I_O = 500\text{ mA}$                          |      |      | 0.8  | mA                |
|                             |                            | $V_I = 7.5\text{ to }20\text{ V}$ , $T_J = 25\text{ °C}$                         |      |      | 0.8  | mA                |
|                             |                            | $I_O = 5\text{ mA to }1\text{ A}$  |      |      | 0.5  | mA                |
| SVR                         | Supply voltage rejection   | $V_I = 8\text{ to }18\text{ V}$ , $f = 120\text{ Hz}$ , $I_O = 500\text{ mA}$    |      | 68   |      | dB                |
| $V_d$                       | Dropout voltage            | $I_O = 1\text{ A}$ , $T_J = 25\text{ °C}$  |      | 2    |      | V                 |
| eN                          | Output noise voltage       | $T_A = 25\text{ °C}$ , $B = 10\text{ Hz to }100\text{ kHz}$                      |      | 10   |      | $\mu\text{V}/V_O$ |
| $R_O$                       | Output resistance          | $f = 1\text{ kHz}$   |      | 17   |      | m $\Omega$        |
| $I_{sc}$                    | Short circuit current      | $V_I = 35\text{ V}$ , $T_A = 25\text{ °C}$                                       |      | 0.2  |      | A                 |
| $I_{scp}$                   | Short circuit peak current | $T_J = 25\text{ °C}$   |      | 2.2  |      | A                 |
| $\Delta V_O/\Delta T$       | Output voltage drift       |  |      | -1.1 |      | mV/°C             |

1. Load and line regulation are specified at constant junction temperature. Changes in  $V_O$  due to heating effects must be taken into account separately. Pulse testing with low duty cycle is used.

Note: Minimum load current for regulation is 5 mA.

$V_I = 11\text{ V}$ ,  $I_O = 1\text{ A}$ ,  $T_J = 0\text{ to }125\text{ °C}$  (L7806AC),  $T_J = -40\text{ to }125\text{ °C}$  (L7806AB), unless otherwise specified.

**Table 4. Electrical characteristics of L7806A**

| Symbol                | Parameter                  | Test conditions  | Min. | Typ. | Max. | Unit              |
|-----------------------|----------------------------|--|------|------|------|-------------------|
| $V_O$                 | Output voltage             | $T_J = 25\text{ °C}$   | 5.88 | 6    | 6.12 | V                 |
| $V_O$                 | Output voltage             | $I_O = 5\text{ mA to }1\text{ A}$ , $V_I = 8.6\text{ to }19\text{ V}$            | 5.76 | 6    | 6.24 | V                 |
| $V_O$                 | Output voltage             | $I_O = 1\text{ A}$ , $V_I = 19\text{ to }21\text{ V}$ , $T_J = 25\text{ °C}$     | 5.76 | 6    | 6.24 | V                 |
| $\Delta V_O^{(1)}$    | Line regulation            | $V_I = 8.6\text{ to }25\text{ V}$ , $I_O = 500\text{ mA}$ , $T_J = 25\text{ °C}$ |      | 9    | 60   | mV                |
|                       |                            | $V_I = 9\text{ to }13\text{ V}$  |      | 11   | 60   | mV                |
|                       |                            | $V_I = 9\text{ to }13\text{ V}$ , $T_J = 25\text{ °C}$                           |      | 3    | 30   | mV                |
|                       |                            | $V_I = 8.3\text{ to }21\text{ V}$ , $T_J = 25\text{ °C}$                         |      | 9    | 60   | mV                |
| $\Delta V_O^{(1)}$    | Load regulation            | $I_O = 5\text{ mA to }1\text{ A}$  |      | 25   | 100  | mV                |
|                       |                            | $I_O = 5\text{ mA to }1.5\text{ A}$ , $T_J = 25\text{ °C}$                       |      | 30   | 100  |                   |
|                       |                            | $I_O = 250\text{ to }750\text{ mA}$  |      | 10   | 50   |                   |
| $I_q$                 | Quiescent current          | $T_J = 25\text{ °C}$   |      | 4.3  | 6    | mA                |
|                       |                            |  |      |      | 6    | mA                |
| $\Delta I_q$          | Quiescent current change   | $V_I = 9\text{ to }24\text{ V}$ , $I_O = 500\text{ mA}$                          |      |      | 0.8  | mA                |
|                       |                            | $V_I = 8.6\text{ to }21\text{ V}$ , $T_J = 25\text{ °C}$                         |      |      | 0.8  | mA                |
|                       |                            | $I_O = 5\text{ mA to }1\text{ A}$  |      |      | 0.5  | mA                |
| SVR                   | Supply voltage rejection   | $V_I = 9\text{ to }19\text{ V}$ , $f = 120\text{ Hz}$ , $I_O = 500\text{ mA}$    |      | 65   |      | dB                |
| $V_d$                 | Dropout voltage            | $I_O = 1\text{ A}$ , $T_J = 25\text{ °C}$  |      | 2    |      | V                 |
| eN                    | Output noise voltage       | $T_A = 25\text{ °C}$ , $B = 10\text{ Hz to }100\text{ kHz}$                      |      | 10   |      | $\mu\text{V}/V_O$ |
| $R_O$                 | Output resistance          | $f = 1\text{ kHz}$   |      | 17   |      | m $\Omega$        |
| $I_{sc}$              | Short circuit current      | $V_I = 35\text{ V}$ , $T_A = 25\text{ °C}$                                       |      | 0.2  |      | A                 |
| $I_{scp}$             | Short circuit peak current | $T_J = 25\text{ °C}$   |      | 2.2  |      | A                 |
| $\Delta V_O/\Delta T$ | Output voltage drift       |  |      | -0.8 |      | mV/°C             |

1. Load and line regulation are specified at constant junction temperature. Changes in  $V_O$  due to heating effects must be taken into account separately. Pulse testing with low duty cycle is used.

Note: Minimum load current for regulation is 5 mA.

$V_I = 14\text{ V}$ ,  $I_O = 1\text{ A}$ ,  $T_J = 0\text{ to }125\text{ °C}$  (L7808AC),  $T_J = -40\text{ to }125\text{ °C}$  (L7808AB), unless otherwise specified.

**Table 5. Electrical characteristics of L7808A**

| Symbol                | Parameter                  | Test conditions  | Min. | Typ. | Max. | Unit              |
|-----------------------|----------------------------|--|------|------|------|-------------------|
| $V_O$                 | Output voltage             | $T_J = 25\text{ °C}$   | 7.84 | 8    | 8.16 | V                 |
| $V_O$                 | Output voltage             | $I_O = 5\text{ mA to }1\text{ A}$ , $V_I = 10.6\text{ to }21\text{ V}$             | 7.7  | 8    | 8.3  | V                 |
| $V_O$                 | Output voltage             | $I_O = 1\text{ A}$ , $V_I = 21\text{ to }23\text{ V}$ , $T_J = 25\text{ °C}$       | 7.7  | 8    | 8.3  | V                 |
| $\Delta V_O^{(1)}$    | Line regulation            | $V_I = 10.6\text{ to }25\text{ V}$ , $I_O = 500\text{ mA}$ , $T_J = 25\text{ °C}$  |      | 12   | 80   | mV                |
|                       |                            | $V_I = 11\text{ to }17\text{ V}$   |      | 15   | 80   | mV                |
|                       |                            | $V_I = 11\text{ to }17\text{ V}$ , $T_J = 25\text{ °C}$                            |      | 5    | 40   | mV                |
|                       |                            | $V_I = 10.4\text{ to }23\text{ V}$ , $T_J = 25\text{ °C}$                          |      | 12   | 80   | mV                |
| $\Delta V_O^{(1)}$    | Load regulation            | $I_O = 5\text{ mA to }1\text{ A}$  |      | 25   | 100  | mV                |
|                       |                            | $I_O = 5\text{ mA to }1.5\text{ A}$ , $T_J = 25\text{ °C}$                         |      | 30   | 100  |                   |
|                       |                            | $I_O = 250\text{ to }750\text{ mA}$  |      | 10   | 50   |                   |
| $I_q$                 | Quiescent current          | $T_J = 25\text{ °C}$   |      | 4.3  | 6    | mA                |
|                       |                            |  |      |      | 6    | mA                |
| $\Delta I_q$          | Quiescent current change   | $V_I = 11\text{ to }23\text{ V}$ , $I_O = 500\text{ mA}$                           |      |      | 0.8  | mA                |
|                       |                            | $V_I = 10.6\text{ to }23\text{ V}$ , $T_J = 25\text{ °C}$                          |      |      | 0.8  | mA                |
|                       |                            | $I_O = 5\text{ mA to }1\text{ A}$  |      |      | 0.5  | mA                |
| SVR                   | Supply voltage rejection   | $V_I = 11.5\text{ to }21.5\text{ V}$ , $f = 120\text{ Hz}$ , $I_O = 500\text{ mA}$ |      | 62   |      | dB                |
| $V_d$                 | Dropout voltage            | $I_O = 1\text{ A}$ , $T_J = 25\text{ °C}$  |      | 2    |      | V                 |
| eN                    | Output noise voltage       | $T_A = 25\text{ °C}$ , $B = 10\text{ Hz to }100\text{ kHz}$                        |      | 10   |      | $\mu\text{V}/V_O$ |
| $R_O$                 | Output resistance          | $f = 1\text{ kHz}$   |      | 18   |      | m $\Omega$        |
| $I_{sc}$              | Short circuit current      | $V_I = 35\text{ V}$ , $T_A = 25\text{ °C}$   |      | 0.2  |      | A                 |
| $I_{scp}$             | Short circuit peak current | $T_J = 25\text{ °C}$   |      | 2.2  |      | A                 |
| $\Delta V_O/\Delta T$ | Output voltage drift       |  |      | -0.8 |      | mV/°C             |

1. Load and line regulation are specified at constant junction temperature. Changes in  $V_O$  due to heating effects must be taken into account separately. Pulse testing with low duty cycle is used.

Note: Minimum load current for regulation is 5 mA.



$V_I = 15\text{ V}$ ,  $I_O = 1\text{ A}$ ,  $T_J = 0\text{ to }125\text{ °C}$  (L7809AC),  $T_J = -40\text{ to }125\text{ °C}$  (L7809AB), unless otherwise specified (Minimum load current for regulation is 5 mA.)

**Table 6. Electrical characteristics of L7809A**

| Symbol                | Parameter                  | Test conditions  | Min. | Typ. | Max. | Unit              |
|-----------------------|----------------------------|--|------|------|------|-------------------|
| $V_O$                 | Output voltage             | $T_J = 25\text{ °C}$   | 8.82 | 9    | 9.18 | V                 |
| $V_O$                 | Output voltage             | $I_O = 5\text{ mA to }1\text{ A}$ , $V_I = 10.6\text{ to }22\text{ V}$             | 8.65 | 9    | 9.35 | V                 |
| $V_O$                 | Output voltage             | $I_O = 1\text{ A}$ , $V_I = 22\text{ to }24\text{ V}$ , $T_J = 25\text{ °C}$       | 8.65 | 9    | 9.35 | V                 |
| $\Delta V_O^{(1)}$    | Line regulation            | $V_I = 10.6\text{ to }25\text{ V}$ , $I_O = 500\text{ mA}$ , $T_J = 25\text{ °C}$  |      | 12   | 90   | mV                |
|                       |                            | $V_I = 11\text{ to }17\text{ V}$   |      | 15   | 90   | mV                |
|                       |                            | $V_I = 11\text{ to }17\text{ V}$ , $T_J = 25\text{ °C}$                            |      | 5    | 45   | mV                |
|                       |                            | $V_I = 11.4\text{ to }23\text{ V}$ , $T_J = 25\text{ °C}$                          |      | 12   | 90   | mV                |
| $\Delta V_O^{(1)}$    | Load regulation            | $I_O = 5\text{ mA to }1\text{ A}$  |      | 25   | 100  | mV                |
|                       |                            | $I_O = 5\text{ mA to }1.5\text{ A}$ , $T_J = 25\text{ °C}$                         |      | 30   | 100  |                   |
|                       |                            | $I_O = 250\text{ to }750\text{ mA}$  |      | 10   | 50   |                   |
| $I_q$                 | Quiescent current          | $T_J = 25\text{ °C}$   |      | 4.3  | 6    | mA                |
|                       |                            |  |      |      | 6    | mA                |
| $\Delta I_q$          | Quiescent current change   | $V_I = 11\text{ to }25\text{ V}$ , $I_O = 500\text{ mA}$                           |      |      | 0.8  | mA                |
|                       |                            | $V_I = 10.6\text{ to }23\text{ V}$ , $T_J = 25\text{ °C}$                          |      |      | 0.8  | mA                |
|                       |                            | $I_O = 5\text{ mA to }1\text{ A}$  |      |      | 0.5  | mA                |
| SVR                   | Supply voltage rejection   | $V_I = 11.5\text{ to }21.5\text{ V}$ , $f = 120\text{ Hz}$ , $I_O = 500\text{ mA}$ |      | 61   |      | dB                |
| $V_d$                 | Dropout voltage            | $I_O = 1\text{ A}$ , $T_J = 25\text{ °C}$  |      | 2    |      | V                 |
| eN                    | Output noise voltage       | $T_A = 25\text{ °C}$ , $B = 10\text{ Hz to }100\text{ kHz}$                        |      | 10   |      | $\mu\text{V}/V_O$ |
| $R_O$                 | Output resistance          | $f = 1\text{ kHz}$   |      | 18   |      | m $\Omega$        |
| $I_{sc}$              | Short circuit current      | $V_I = 35\text{ V}$ , $T_A = 25\text{ °C}$   |      | 0.2  |      | A                 |
| $I_{scp}$             | Short circuit peak current | $T_J = 25\text{ °C}$   |      | 2.2  |      | A                 |
| $\Delta V_O/\Delta T$ | Output voltage drift       |  |      | -0.8 |      | mV/°C             |

1. Load and line regulation are specified at constant junction temperature. Changes in  $V_O$  due to heating effects must be taken into account separately. Pulse testing with low duty cycle is used.

Note: Minimum load current for regulation is 5 mA.

$V_I = 19\text{ V}$ ,  $I_O = 1\text{ A}$ ,  $T_J = 0\text{ to }125\text{ °C}$  (L7812AC),  $T_J = -40\text{ to }125\text{ °C}$  (L7812AB), unless otherwise specified.

**Table 7. Electrical characteristics of L7812A**

| Symbol                | Parameter                  | Test conditions   | Min.  | Typ. | Max.  | Unit              |
|-----------------------|----------------------------|---|-------|------|-------|-------------------|
| $V_O$                 | Output voltage             | $T_J = 25\text{ °C}$  | 11.75 | 12   | 12.25 | V                 |
| $V_O$                 | Output voltage             | $I_O = 5\text{ mA to }1\text{ A}$ , $V_I = 14.8\text{ to }25\text{ V}$            | 11.5  | 12   | 12.5  | V                 |
| $V_O$                 | Output voltage             | $I_O = 1\text{ A}$ , $V_I = 25\text{ to }27\text{ V}$ , $T_J = 25\text{ °C}$      | 11.5  | 12   | 12.5  | V                 |
| $\Delta V_O^{(1)}$    | Line regulation            | $V_I = 14.8\text{ to }30\text{ V}$ , $I_O = 500\text{ mA}$ , $T_J = 25\text{ °C}$ |       | 13   | 120   | mV                |
|                       |                            | $V_I = 16\text{ to }12\text{ V}$  |       | 16   | 120   | mV                |
|                       |                            | $V_I = 16\text{ to }12\text{ V}$ , $T_J = 25\text{ °C}$                           |       | 6    | 60    | mV                |
|                       |                            | $V_I = 14.5\text{ to }27\text{ V}$ , $T_J = 25\text{ °C}$                         |       | 13   | 120   | mV                |
| $\Delta V_O^{(1)}$    | Load regulation            | $I_O = 5\text{ mA to }1\text{ A}$   |       | 25   | 100   | mV                |
|                       |                            | $I_O = 5\text{ mA to }1.5\text{ A}$ , $T_J = 25\text{ °C}$                        |       | 30   | 100   |                   |
|                       |                            | $I_O = 250\text{ to }750\text{ mA}$   |       | 10   | 50    |                   |
| $I_q$                 | Quiescent current          | $T_J = 25\text{ °C}$  |       | 4.4  | 6     | mA                |
|                       |                            |   |       |      | 6     | mA                |
| $\Delta I_q$          | Quiescent current change   | $V_I = 15\text{ to }30\text{ V}$ , $I_O = 500\text{ mA}$                          |       |      | 0.8   | mA                |
|                       |                            | $V_I = 14.8\text{ to }27\text{ V}$ , $T_J = 25\text{ °C}$                         |       |      | 0.8   | mA                |
|                       |                            | $I_O = 5\text{ mA to }1\text{ A}$   |       |      | 0.5   | mA                |
| SVR                   | Supply voltage rejection   | $V_I = 15\text{ to }25\text{ V}$ , $f = 120\text{ Hz}$ , $I_O = 500\text{ mA}$    |       | 60   |       | dB                |
| $V_d$                 | Dropout voltage            | $I_O = 1\text{ A}$ , $T_J = 25\text{ °C}$   |       | 2    |       | V                 |
| eN                    | Output noise voltage       | $T_A = 25\text{ °C}$ , $B = 10\text{ Hz to }100\text{ kHz}$                       |       | 10   |       | $\mu\text{V}/V_O$ |
| $R_O$                 | Output resistance          | $f = 1\text{ kHz}$  |       | 18   |       | m $\Omega$        |
| $I_{sc}$              | Short circuit current      | $V_I = 35\text{ V}$ , $T_A = 25\text{ °C}$  |       | 0.2  |       | A                 |
| $I_{scp}$             | Short circuit peak current | $T_J = 25\text{ °C}$  |       | 2.2  |       | A                 |
| $\Delta V_O/\Delta T$ | Output voltage drift       |   |       | -1   |       | mV/°C             |

1. Load and line regulation are specified at constant junction temperature. Changes in  $V_O$  due to heating effects must be taken into account separately. Pulse testing with low duty cycle is used.

Note: Minimum load current for regulation is 5 mA.

$V_I = 23\text{ V}$ ,  $I_O = 1\text{ A}$ ,  $T_J = 0\text{ to }125\text{ °C}$  (L7815AC),  $T_J = -40\text{ to }125\text{ °C}$  (L7815AB), unless otherwise specified.

**Table 8. Electrical characteristics of L7815A**

| Symbol                      | Parameter                  | Test conditions  | Min. | Typ. | Max. | Unit              |
|-----------------------------|----------------------------|--|------|------|------|-------------------|
| $V_O$                       | Output voltage             | $T_J = 25\text{ °C}$   | 14.7 | 15   | 15.3 | V                 |
| $V_O$                       | Output voltage             | $I_O = 5\text{ mA to }1\text{ A}$ , $V_I = 17.9\text{ to }28\text{ V}$             | 14.4 | 15   | 15.6 | V                 |
| $V_O$                       | Output voltage             | $I_O = 1\text{ A}$ , $V_I = 28\text{ to }30\text{ V}$ , $T_J = 25\text{ °C}$       | 14.4 | 15   | 15.6 | V                 |
| $\Delta V_O$ <sup>(1)</sup> | Line regulation            | $V_I = 17.9\text{ to }30\text{ V}$ , $I_O = 500\text{ mA}$ , $T_J = 25\text{ °C}$  |      | 13   | 150  | mV                |
|                             |                            | $V_I = 20\text{ to }26\text{ V}$   |      | 16   | 150  | mV                |
|                             |                            | $V_I = 20\text{ to }26\text{ V}$ , $T_J = 25\text{ °C}$                            |      | 6    | 75   | mV                |
|                             |                            | $V_I = 17.5\text{ to }30\text{ V}$ , $T_J = 25\text{ °C}$                          |      | 13   | 150  | mV                |
| $\Delta V_O$ <sup>(1)</sup> | Load regulation            | $I_O = 5\text{ mA to }1\text{ A}$  |      | 25   | 100  | mV                |
|                             |                            | $I_O = 5\text{ mA to }1.5\text{ A}$ , $T_J = 25\text{ °C}$                         |      | 30   | 100  |                   |
|                             |                            | $I_O = 250\text{ to }750\text{ mA}$  |      | 10   | 50   |                   |
| $I_q$                       | Quiescent current          | $T_J = 25\text{ °C}$   |      | 4.4  | 6    | mA                |
|                             |                            |  |      |      | 6    | mA                |
| $\Delta I_q$                | Quiescent current change   | $V_I = 17.5\text{ to }30\text{ V}$ , $I_O = 500\text{ mA}$                         |      |      | 0.8  | mA                |
|                             |                            | $V_I = 17.5\text{ to }30\text{ V}$ , $T_J = 25\text{ °C}$                          |      |      | 0.8  | mA                |
|                             |                            | $I_O = 5\text{ mA to }1\text{ A}$  |      |      | 0.5  | mA                |
| SVR                         | Supply voltage rejection   | $V_I = 18.5\text{ to }28.5\text{ V}$ , $f = 120\text{ Hz}$ , $I_O = 500\text{ mA}$ |      | 58   |      | dB                |
| $V_d$                       | Dropout voltage            | $I_O = 1\text{ A}$ , $T_J = 25\text{ °C}$  |      | 2    |      | V                 |
| eN                          | Output noise voltage       | $T_A = 25\text{ °C}$ , $B = 10\text{ Hz to }100\text{ kHz}$                        |      | 10   |      | $\mu\text{V}/V_O$ |
| $R_O$                       | Output resistance          | $f = 1\text{ kHz}$   |      | 19   |      | m $\Omega$        |
| $I_{sc}$                    | Short circuit current      | $V_I = 35\text{ V}$ , $T_A = 25\text{ °C}$   |      | 0.2  |      | A                 |
| $I_{scp}$                   | Short circuit peak current | $T_J = 25\text{ °C}$   |      | 2.2  |      | A                 |
| $\Delta V_O/\Delta T$       | Output voltage drift       |  |      | -1   |      | mV/°C             |

1. Load and line regulation are specified at constant junction temperature. Changes in  $V_O$  due to heating effects must be taken into account separately. Pulse testing with low duty cycle is used.

Note: Minimum load current for regulation is 5 mA.

$V_I = 33\text{ V}$ ,  $I_O = 1\text{ A}$ ,  $T_J = 0\text{ to }125\text{ °C}$  (L7824AC),  $T_J = -40\text{ to }125\text{ °C}$  (L7824AB), unless otherwise specified.

**Table 9. Electrical characteristics of L7824A**

| Symbol                | Parameter                  | Test conditions   | Min. | Typ. | Max. | Unit                  |
|-----------------------|----------------------------|---|------|------|------|-----------------------|
| $V_O$                 | Output voltage             | $T_J = 25\text{ °C}$  | 23.5 | 24   | 24.5 | V                     |
| $V_O$                 | Output voltage             | $I_O = 5\text{ mA to }1\text{ A}$ , $V_I = 27.3\text{ to }37\text{ V}$          | 23   | 24   | 25   | V                     |
| $V_O$                 | Output voltage             | $I_O = 1\text{ A}$ , $V_I = 37\text{ to }38\text{ V}$ , $T_J = 25\text{ °C}$    | 23   | 24   | 25   | V                     |
| $\Delta V_O^{(1)}$    | Line regulation            | $V_I = 27\text{ to }38\text{ V}$ , $I_O = 500\text{ mA}$ , $T_J = 25\text{ °C}$ |      | 31   | 240  | mV                    |
|                       |                            | $V_I = 30\text{ to }36\text{ V}$  |      | 35   | 200  | mV                    |
|                       |                            | $V_I = 30\text{ to }36\text{ V}$ , $T_J = 25\text{ °C}$                         |      | 14   | 120  | mV                    |
|                       |                            | $V_I = 26.7\text{ to }38\text{ V}$ , $T_J = 25\text{ °C}$                       |      | 31   | 240  | mV                    |
| $\Delta V_O^{(1)}$    | Load regulation            | $I_O = 5\text{ mA to }1\text{ A}$   |      | 25   | 100  | mV                    |
|                       |                            | $I_O = 5\text{ mA to }1.5\text{ A}$ , $T_J = 25\text{ °C}$                      |      | 30   | 100  |                       |
|                       |                            | $I_O = 250\text{ to }750\text{ mA}$   |      | 10   | 50   |                       |
| $I_q$                 | Quiescent current          | $T_J = 25\text{ °C}$  |      | 4.6  | 6    | mA                    |
|                       |                            |   |      |      | 6    | mA                    |
| $\Delta I_q$          | Quiescent current change   | $V_I = 27.3\text{ to }38\text{ V}$ , $I_O = 500\text{ mA}$                      |      |      | 0.8  | mA                    |
|                       |                            | $V_I = 27.3\text{ to }38\text{ V}$ , $T_J = 25\text{ °C}$                       |      |      | 0.8  | mA                    |
|                       |                            | $I_O = 5\text{ mA to }1\text{ A}$   |      |      | 0.5  | mA                    |
| SVR                   | Supply voltage rejection   | $V_I = 28\text{ to }38\text{ V}$ , $f = 120\text{ Hz}$ , $I_O = 500\text{ mA}$  |      | 54   |      | dB                    |
| $V_d$                 | Dropout voltage            | $I_O = 1\text{ A}$ , $T_J = 25\text{ °C}$                                       |      | 2    |      | V                     |
| eN                    | Output noise voltage       | $T_A = 25\text{ °C}$ , $B = 10\text{ Hz to }100\text{ kHz}$                     |      | 10   |      | $\mu\text{V}/V_O$     |
| $R_O$                 | Output resistance          | $f = 1\text{ kHz}$  |      | 20   |      | m                     |
| $I_{sc}$              | Short circuit current      | $V_I = 35\text{ V}$ , $T_A = 25\text{ °C}$                                      |      | 0.2  |      | A                     |
| $I_{scp}$             | Short circuit peak current | $T_J = 25\text{ °C}$  |      | 2.2  |      | A                     |
| $\Delta V_O/\Delta T$ | Output voltage drift       |   |      | -1.5 |      | $\text{mV}/\text{°C}$ |

1. Load and line regulation are specified at constant junction temperature. Changes in  $V_O$  due to heating effects must be taken into account separately. Pulse testing with low duty cycle is used.

Note: Minimum load current for regulation is 5 mA.

Refer to the test circuits,  $T_J = 0$  to  $125\text{ }^\circ\text{C}$ ,  $V_I = 10\text{ V}$ ,  $I_O = 500\text{ mA}$ ,  $C_I = 0.33\text{ }\mu\text{F}$ ,  $C_O = 0.1\text{ }\mu\text{F}$  unless otherwise specified.

**Table 10. Electrical characteristics of L7805C**

| Symbol                      | Parameter                  | Test conditions  | Min. | Typ. | Max. | Unit              |
|-----------------------------|----------------------------|--|------|------|------|-------------------|
| $V_O$                       | Output voltage             | $T_J = 25\text{ }^\circ\text{C}$   | 4.8  | 5    | 5.2  | V                 |
| $V_O$                       | Output voltage             | $I_O = 5\text{ mA to }1\text{ A}$ , $V_I = 7$ to $18\text{ V}$                     | 4.75 | 5    | 5.25 | V                 |
| $V_O$                       | Output voltage             | $I_O = 1\text{ A}$ , $V_I = 18$ to $20\text{V}$ , $T_J = 25\text{ }^\circ\text{C}$ | 4.75 | 5    | 5.25 | V                 |
| $\Delta V_O$ <sup>(1)</sup> | Line regulation            | $V_I = 7$ to $25\text{ V}$ , $T_J = 25\text{ }^\circ\text{C}$                      |      | 3    | 100  | mV                |
|                             |                            | $V_I = 8$ to $12\text{ V}$ , $T_J = 25\text{ }^\circ\text{C}$                      |      | 1    | 50   |                   |
| $\Delta V_O$ <sup>(1)</sup> | Load regulation            | $I_O = 5\text{ mA to }1.5\text{ A}$ , $T_J = 25\text{ }^\circ\text{C}$             |      |      | 100  | mV                |
|                             |                            | $I_O = 250$ to $750\text{ mA}$ , $T_J = 25\text{ }^\circ\text{C}$                  |      |      | 50   |                   |
| $I_d$                       | Quiescent current          | $T_J = 25\text{ }^\circ\text{C}$   |      |      | 8    | mA                |
| $\Delta I_d$                | Quiescent current change   | $I_O = 5\text{ mA to }1\text{ A}$  |      |      | 0.5  | mA                |
|                             |                            | $V_I = 7$ to $23\text{ V}$   |      |      | 0.8  |                   |
| $\Delta V_O/\Delta T$       | Output voltage drift       | $I_O = 5\text{ mA}$  |      | -1.1 |      | mV/°C             |
| eN                          | Output noise voltage       | $B = 10\text{ Hz to }100\text{ kHz}$ , $T_J = 25\text{ }^\circ\text{C}$            |      | 40   |      | $\mu\text{V}/V_O$ |
| SVR                         | Supply voltage rejection   | $V_I = 8$ to $18\text{ V}$ , $f = 120\text{ Hz}$                                   | 62   |      |      | dB                |
| $V_d$                       | Dropout voltage            | $I_O = 1\text{ A}$ , $T_J = 25\text{ }^\circ\text{C}$                              |      | 2    |      | V                 |
| $R_O$                       | Output resistance          | $f = 1\text{ kHz}$   |      | 17   |      | m $\Omega$        |
| $I_{sc}$                    | Short circuit current      | $V_I = 35\text{ V}$ , $T_J = 25\text{ }^\circ\text{C}$                             |      | 0.75 |      | A                 |
| $I_{scp}$                   | Short circuit peak current | $T_J = 25\text{ }^\circ\text{C}$   |      | 2.2  |      | A                 |

1. Load and line regulation are specified at constant junction temperature. Changes in  $V_O$  due to heating effects must be taken into account separately. Pulse testing with low duty cycle is used.

Note: Minimum load current for regulation is 5 mA.

Refer to the test circuits,  $T_J = 0$  to  $125$  °C,  $V_I = 11$  V,  $I_O = 500$  mA,  $C_I = 0.33$   $\mu$ F,  $C_O = 0.1$   $\mu$ F unless otherwise specified.

**Table 11. Electrical characteristics of L7806C**

| Symbol                      | Parameter                  | Test conditions                                  | Min. | Typ. | Max. | Unit           |
|-----------------------------|----------------------------|--|------|------|------|----------------|
| $V_O$                       | Output voltage             | $T_J = 25$ °C                                    | 5.75 | 6    | 6.25 | V              |
| $V_O$                       | Output voltage             | $I_O = 5$ mA to $1$ A, $V_I = 8$ to $19$ V       | 5.7  | 6    | 6.3  | V              |
| $V_O$                       | Output voltage             | $I_O = 1$ A, $V_I = 19$ to $21$ V, $T_J = 25$ °C | 5.7  | 6    | 6.3  | V              |
| $\Delta V_O$ <sup>(1)</sup> | Line regulation            | $V_I = 8$ to $25$ V, $T_J = 25$ °C               |      |      | 120  | mV             |
|                             |                            | $V_I = 9$ to $13$ V, $T_J = 25$ °C               |      |      | 60   |                |
| $\Delta V_O$ <sup>(1)</sup> | Load regulation            | $I_O = 5$ mA to $1.5$ A, $T_J = 25$ °C           |      |      | 120  | mV             |
|                             |                            | $I_O = 250$ to $750$ mA, $T_J = 25$ °C           |      |      | 60   |                |
| $I_d$                       | Quiescent current          | $T_J = 25$ °C                                    |      |      | 8    | mA             |
| $DI_d$                      | Quiescent current change   | $I_O = 5$ mA to $1$ A                            |      |      | 0.5  | mA             |
|                             |                            | $V_I = 8$ to $24$ V                              |      |      | 1.3  |                |
| $\Delta V_O/\Delta T$       | Output voltage drift       | $I_O = 5$ mA                                     |      | -0.8 |      | mV/°C          |
| eN                          | Output noise voltage       | $B = 10$ Hz to $100$ kHz, $T_J = 25$ °C          |      | 45   |      | $\mu$ V/ $V_O$ |
| SVR                         | Supply voltage rejection   | $V_I = 9$ to $19$ V, $f = 120$ Hz                | 59   |      |      | dB             |
| $V_d$                       | Dropout voltage            | $I_O = 1$ A, $T_J = 25$ °C                       |      | 2    |      | V              |
| $R_O$                       | Output resistance          | $f = 1$ kHz                                      |      | 19   |      | m $\Omega$     |
| $I_{sc}$                    | Short circuit current      | $V_I = 35$ V, $T_J = 25$ °C                      |      | 0.55 |      | A              |
| $I_{scp}$                   | Short circuit peak current | $T_J = 25$ °C                                    |      | 2.2  |      | A              |

1. Load and line regulation are specified at constant junction temperature. Changes in  $V_O$  due to heating effects must be taken into account separately. Pulse testing with low duty cycle is used.

Note: Minimum load current for regulation is 5 mA.

Refer to the test circuits,  $T_J = 0$  to  $125$  °C,  $V_I = 14$  V,  $I_O = 500$  mA,  $C_I = 0.33$   $\mu$ F,  $C_O = 0.1$   $\mu$ F unless otherwise specified.

**Table 12. Electrical characteristics of L7808C**

| Symbol                      | Parameter                  | Test conditions                                | Min. | Typ. | Max. | Unit           |
|-----------------------------|----------------------------|--|------|------|------|----------------|
| $V_O$                       | Output voltage             | $T_J = 25$ °C                                  | 7.7  | 8    | 8.3  | V              |
| $V_O$                       | Output voltage             | $I_O = 5$ mA to 1 A, $V_I = 10.5$ to 21 V      | 7.6  | 8    | 8.4  | V              |
| $V_O$                       | Output voltage             | $I_O = 1$ A, $V_I = 21$ to 25 V, $T_J = 25$ °C | 7.6  | 8    | 8.4  | V              |
| $\Delta V_O$ <sup>(1)</sup> | Line regulation            | $V_I = 10.5$ to 25 V, $T_J = 25$ °C            |      |      | 160  | mV             |
|                             |                            | $V_I = 11$ to 17 V, $T_J = 25$ °C              |      |      | 80   |                |
| $\Delta V_O$ <sup>(1)</sup> | Load regulation            | $I_O = 5$ mA to 1.5 A, $T_J = 25$ °C           |      |      | 160  | mV             |
|                             |                            | $I_O = 250$ to 750 mA, $T_J = 25$ °C           |      |      | 80   |                |
| $I_d$                       | Quiescent current          | $T_J = 25$ °C                                  |      |      | 8    | mA             |
| $\Delta I_d$                | Quiescent current change   | $I_O = 5$ mA to 1 A                            |      |      | 0.5  | mA             |
|                             |                            | $V_I = 10.5$ to 25 V                           |      |      | 1    |                |
| $\Delta V_O/\Delta T$       | Output voltage drift       | $I_O = 5$ mA                                   |      | -0.8 |      | mV/°C          |
| eN                          | Output noise voltage       | B = 10 Hz to 100 kHz, $T_J = 25$ °C            |      | 52   |      | $\mu$ V/ $V_O$ |
| SVR                         | Supply voltage rejection   | $V_I = 11.5$ to 21.5 V, f = 120 Hz             | 56   |      |      | dB             |
| $V_d$                       | Dropout voltage            | $I_O = 1$ A, $T_J = 25$ °C                     |      | 2    |      | V              |
| $R_O$                       | Output resistance          | f = 1 kHz                                      |      | 16   |      | m $\Omega$     |
| $I_{sc}$                    | Short circuit current      | $V_I = 35$ V, $T_J = 25$ °C                    |      | 0.45 |      | A              |
| $I_{scp}$                   | Short circuit peak current | $T_J = 25$ °C                                  |      | 2.2  |      | A              |

1. Load and line regulation are specified at constant junction temperature. Changes in  $V_O$  due to heating effects must be taken into account separately. Pulse testing with low duty cycle is used.

Note: Minimum load current for regulation is 5 mA.

Refer to the test circuits,  $T_J = 0$  to  $125$  °C,  $V_I = 14.5$  V,  $I_O = 500$  mA,  $C_I = 0.33$   $\mu$ F,  $C_O = 0.1$   $\mu$ F unless otherwise specified.

**Table 13. Electrical characteristics of L7885C**

| Symbol                      | Parameter                  | Test conditions                                  | Min. | Typ. | Max. | Unit           |
|-----------------------------|----------------------------|--|------|------|------|----------------|
| $V_O$                       | Output voltage             | $T_J = 25$ °C                                    | 8.2  | 8.5  | 8.8  | V              |
| $V_O$                       | Output voltage             | $I_O = 5$ mA to 1 A, $V_I = 11$ to 21.5 V        | 8.1  | 8.5  | 8.9  | V              |
| $V_O$                       | Output voltage             | $I_O = 1$ A, $V_I = 21.5$ to 26 V, $T_J = 25$ °C | 8.1  | 8.5  | 8.9  | V              |
| $\Delta V_O$ <sup>(1)</sup> | Line regulation            | $V_I = 11$ to 27 V, $T_J = 25$ °C                |      |      | 160  | mV             |
|                             |                            | $V_I = 11.5$ to 17.5 V, $T_J = 25$ °C            |      |      | 80   |                |
| $\Delta V_O$ <sup>(1)</sup> | Load regulation            | $I_O = 5$ mA to 1.5 A, $T_J = 25$ °C             |      |      | 160  | mV             |
|                             |                            | $I_O = 250$ to 750 mA, $T_J = 25$ °C             |      |      | 80   |                |
| $I_d$                       | Quiescent current          | $T_J = 25$ °C                                    |      |      | 8    | mA             |
| $\Delta I_d$                | Quiescent current change   | $I_O = 5$ mA to 1 A                              |      |      | 0.5  | mA             |
|                             |                            | $V_I = 11$ to 26 V                               |      |      | 1    |                |
| $\Delta V_O/\Delta T$       | Output voltage drift       | $I_O = 5$ mA                                     |      | -0.8 |      | mV/°C          |
| eN                          | Output noise voltage       | B = 10 Hz to 100 kHz, $T_J = 25$ °C              |      | 55   |      | $\mu$ V/ $V_O$ |
| SVR                         | Supply voltage rejection   | $V_I = 12$ to 22 V, f = 120 Hz                   | 56   |      |      | dB             |
| $V_d$                       | Dropout voltage            | $I_O = 1$ A, $T_J = 25$ °C                       |      | 2    |      | V              |
| $R_O$                       | Output resistance          | f = 1 kHz  |      | 16   |      | m $\Omega$     |
| $I_{sc}$                    | Short circuit current      | $V_I = 35$ V, $T_J = 25$ °C                      |      | 0.45 |      | A              |
| $I_{scp}$                   | Short circuit peak current | $T_J = 25$ °C                                    |      | 2.2  |      | A              |

1. Load and line regulation are specified at constant junction temperature. Changes in  $V_O$  due to heating effects must be taken into account separately. Pulse testing with low duty cycle is used.

Note: Minimum load current for regulation is 5 mA.



Refer to the test circuits,  $T_J = 0$  to  $125$  °C,  $V_I = 15$  V,  $I_O = 500$  mA,  $C_I = 0.33$   $\mu$ F,  $C_O = 0.1$   $\mu$ F unless otherwise specified.

**Table 14. Electrical characteristics of L7809C**

| Symbol                      | Parameter                  | Test conditions                                | Min. | Typ. | Max. | Unit           |
|-----------------------------|----------------------------|--|------|------|------|----------------|
| $V_O$                       | Output voltage             | $T_J = 25$ °C                                  | 8.64 | 9    | 9.36 | V              |
| $V_O$                       | Output voltage             | $I_O = 5$ mA to 1 A, $V_I = 11.5$ to 22 V      | 8.55 | 9    | 9.45 | V              |
| $V_O$                       | Output voltage             | $I_O = 1$ A, $V_I = 22$ to 26 V, $T_J = 25$ °C | 8.55 | 9    | 9.45 | V              |
| $\Delta V_O$ <sup>(1)</sup> | Line regulation            | $V_I = 11.5$ to 26 V, $T_J = 25$ °C            |      |      | 180  | mV             |
|                             |                            | $V_I = 12$ to 18 V, $T_J = 25$ °C              |      |      | 90   |                |
| $\Delta V_O$ <sup>(1)</sup> | Load regulation            | $I_O = 5$ mA to 1.5 A, $T_J = 25$ °C           |      |      | 180  | mV             |
|                             |                            | $I_O = 250$ to 750 mA, $T_J = 25$ °C           |      |      | 90   |                |
| $I_d$                       | Quiescent current          | $T_J = 25$ °C                                  |      |      | 8    | mA             |
| $\Delta I_d$                | Quiescent current change   | $I_O = 5$ mA to 1 A                            |      |      | 0.5  | mA             |
|                             |                            | $V_I = 11.5$ to 26 V                           |      |      | 1    |                |
| $\Delta V_O/\Delta T$       | Output voltage drift       | $I_O = 5$ mA                                   |      | -1   |      | mV/°C          |
| eN                          | Output noise voltage       | B = 10 Hz to 100 kHz, $T_J = 25$ °C            |      | 70   |      | $\mu$ V/ $V_O$ |
| SVR                         | Supply voltage rejection   | $V_I = 12$ to 23 V, f = 120 Hz                 | 55   |      |      | dB             |
| $V_d$                       | Dropout voltage            | $I_O = 1$ A, $T_J = 25$ °C                     |      | 2    |      | V              |
| $R_O$                       | Output resistance          | f = 1 kHz                                      |      | 17   |      | m $\Omega$     |
| $I_{sc}$                    | Short circuit current      | $V_I = 35$ V, $T_J = 25$ °C                    |      | 0.40 |      | A              |
| $I_{scp}$                   | Short circuit peak current | $T_J = 25$ °C                                  |      | 2.2  |      | A              |

1. Load and line regulation are specified at constant junction temperature. Changes in  $V_O$  due to heating effects must be taken into account separately. Pulse testing with low duty cycle is used.

Note: Minimum load current for regulation is 5 mA.

Refer to the test circuits,  $T_J = 0$  to  $125$  °C,  $V_I = 19$  V,  $I_O = 500$  mA,  $C_I = 0.33$   $\mu$ F,  $C_O = 0.1$   $\mu$ F unless otherwise specified.

**Table 15. Electrical characteristics of L7812C**

| Symbol                      | Parameter                  | Test conditions                                | Min. | Typ. | Max. | Unit           |
|-----------------------------|----------------------------|--|------|------|------|----------------|
| $V_O$                       | Output voltage             | $T_J = 25$ °C                                  | 11.5 | 12   | 12.5 | V              |
| $V_O$                       | Output voltage             | $I_O = 5$ mA to 1 A, $V_I = 14.5$ to 25 V      | 11.4 | 12   | 12.6 | V              |
| $V_O$                       | Output voltage             | $I_O = 1$ A, $V_I = 25$ to 27 V, $T_J = 25$ °C | 11.4 | 12   | 12.6 | V              |
| $\Delta V_O$ <sup>(1)</sup> | Line regulation            | $V_I = 14.5$ to 30 V, $T_J = 25$ °C            |      |      | 240  | mV             |
|                             |                            | $V_I = 16$ to 22 V, $T_J = 25$ °C              |      |      | 120  |                |
| $\Delta V_O$ <sup>(1)</sup> | Load regulation            | $I_O = 5$ mA to 1.5 A, $T_J = 25$ °C           |      |      | 240  | mV             |
|                             |                            | $I_O = 250$ to 750 mA, $T_J = 25$ °C           |      |      | 120  |                |
| $I_d$                       | Quiescent current          | $T_J = 25$ °C                                  |      |      | 8    | mA             |
| $\Delta I_d$                | Quiescent current change   | $I_O = 5$ mA to 1 A                            |      |      | 0.5  | mA             |
|                             |                            | $V_I = 14.5$ to 30 V                           |      |      | 1    |                |
| $\Delta V_O/\Delta T$       | Output voltage drift       | $I_O = 5$ mA                                   |      | -1   |      | mV/°C          |
| eN                          | Output noise voltage       | B = 10 Hz to 100 kHz, $T_J = 25$ °C            |      | 75   |      | $\mu$ V/ $V_O$ |
| SVR                         | Supply voltage rejection   | $V_I = 15$ to 25 V, $f = 120$ Hz               | 55   |      |      | dB             |
| $V_d$                       | Dropout voltage            | $I_O = 1$ A, $T_J = 25$ °C                     |      | 2    |      | V              |
| $R_O$                       | Output resistance          | $f = 1$ kHz                                    |      | 18   |      | m $\Omega$     |
| $I_{sc}$                    | Short circuit current      | $V_I = 35$ V, $T_J = 25$ °C                    |      | 0.35 |      | A              |
| $I_{scp}$                   | Short circuit peak current | $T_J = 25$ °C                                  |      | 2.2  |      | A              |

1. Load and line regulation are specified at constant junction temperature. Changes in  $V_O$  due to heating effects must be taken into account separately. Pulse testing with low duty cycle is used.

Note: Minimum load current for regulation is 5 mA.

Refer to the test circuits,  $T_J = 0$  to  $125$  °C,  $V_I = 23$  V,  $I_O = 500$  mA,  $C_I = 0.33$   $\mu$ F,  $C_O = 0.1$   $\mu$ F unless otherwise specified.

**Table 16. Electrical characteristics of L7815C**

| Symbol                      | Parameter                  | Test conditions                                | Min.  | Typ. | Max.  | Unit           |
|-----------------------------|----------------------------|--|-------|------|-------|----------------|
| $V_O$                       | Output voltage             | $T_J = 25$ °C                                  | 14.4  | 15   | 15.6  | V              |
| $V_O$                       | Output voltage             | $I_O = 5$ mA to 1 A, $V_I = 17.5$ to 28 V      | 14.25 | 15   | 15.75 | V              |
| $V_O$                       | Output voltage             | $I_O = 1$ A, $V_I = 28$ to 30 V, $T_J = 25$ °C | 14.25 | 15   | 15.75 | V              |
| $\Delta V_O$ <sup>(1)</sup> | Line regulation            | $V_I = 17.5$ to 30 V, $T_J = 25$ °C            |       |      | 300   | mV             |
|                             |                            | $V_I = 20$ to 26 V, $T_J = 25$ °C              |       |      | 150   |                |
| $\Delta V_O$ <sup>(1)</sup> | Load regulation            | $I_O = 5$ mA to 1.5 A, $T_J = 25$ °C           |       |      | 300   | mV             |
|                             |                            | $I_O = 250$ to 750 mA, $T_J = 25$ °C           |       |      | 150   |                |
| $I_d$                       | Quiescent current          | $T_J = 25$ °C                                  |       |      | 8     | mA             |
| $\Delta I_d$                | Quiescent current change   | $I_O = 5$ mA to 1A                             |       |      | 0.5   | mA             |
|                             |                            | $V_I = 17.5$ to 30 V                           |       |      | 1     |                |
| $\Delta V_O/\Delta T$       | Output voltage drift       | $I_O = 5$ mA                                   |       | -1   |       | mV/°C          |
| eN                          | Output noise voltage       | B = 10 Hz to 100kHz, $T_J = 25$ °C             |       | 90   |       | $\mu$ V/ $V_O$ |
| SVR                         | Supply voltage rejection   | $V_I = 18.5$ to 28.5 V, f = 120 Hz             | 54    |      |       | dB             |
| $V_d$                       | Dropout voltage            | $I_O = 1$ A, $T_J = 25$ °C                     |       | 2    |       | V              |
| $R_O$                       | Output resistance          | f = 1 kHz                                      |       | 19   |       | m $\Omega$     |
| $I_{sc}$                    | Short circuit current      | $V_I = 35$ V, $T_J = 25$ °C                    |       | 0.23 |       | A              |
| $I_{scp}$                   | Short circuit peak current | $T_J = 25$ °C                                  |       | 2.2  |       | A              |

1. Load and line regulation are specified at constant junction temperature. Changes in  $V_O$  due to heating effects must be taken into account separately. Pulse testing with low duty cycle is used.

Note: Minimum load current for regulation is 5 mA.

Refer to the test circuits,  $T_J = 0$  to  $125$  °C,  $V_I = 26$  V,  $I_O = 500$  mA,  $C_I = 0.33$   $\mu$ F,  $C_O = 0.1$   $\mu$ F unless otherwise specified.

**Table 17. Electrical characteristics of L7818C**

| Symbol                      | Parameter                  | Test conditions                                  | Min. | Typ. | Max. | Unit           |
|-----------------------------|----------------------------|--|------|------|------|----------------|
| $V_O$                       | Output voltage             | $T_J = 25$ °C                                    | 17.3 | 18   | 18.7 | V              |
| $V_O$                       | Output voltage             | $I_O = 5$ mA to $1$ A, $V_I = 21$ to $31$ V      | 17.1 | 18   | 18.9 | V              |
| $V_O$                       | Output voltage             | $I_O = 1$ A, $V_I = 31$ to $33$ V, $T_J = 25$ °C | 17.1 | 18   | 18.9 | V              |
| $\Delta V_O$ <sup>(1)</sup> | Line regulation            | $V_I = 21$ to $33$ V, $T_J = 25$ °C              |      |      | 360  | mV             |
|                             |                            | $V_I = 24$ to $30$ V, $T_J = 25$ °C              |      |      | 180  |                |
| $\Delta V_O$ <sup>(1)</sup> | Load regulation            | $I_O = 5$ mA to $1.5$ A, $T_J = 25$ °C           |      |      | 360  | mV             |
|                             |                            | $I_O = 250$ to $750$ mA, $T_J = 25$ °C           |      |      | 180  |                |
| $I_d$                       | Quiescent current          | $T_J = 25$ °C                                    |      |      | 8    | mA             |
| $\Delta I_d$                | Quiescent current change   | $I_O = 5$ mA to $1$ A                            |      |      | 0.5  | mA             |
|                             |                            | $V_I = 21$ to $33$ V                             |      |      | 1    |                |
| $\Delta V_O/\Delta T$       | Output voltage drift       | $I_O = 5$ mA                                     |      | -1   |      | mV/°C          |
| eN                          | Output noise voltage       | $B = 10$ Hz to $100$ kHz, $T_J = 25$ °C          |      | 110  |      | $\mu$ V/ $V_O$ |
| SVR                         | Supply voltage rejection   | $V_I = 22$ to $32$ V, $f = 120$ Hz               | 53   |      |      | dB             |
| $V_d$                       | Dropout voltage            | $I_O = 1$ A, $T_J = 25$ °C                       |      | 2    |      | V              |
| $R_O$                       | Output resistance          | $f = 1$ kHz                                      |      | 22   |      | m $\Omega$     |
| $I_{sc}$                    | Short circuit current      | $V_I = 35$ V, $T_J = 25$ °C                      |      | 0.20 |      | A              |
| $I_{scp}$                   | Short circuit peak current | $T_J = 25$ °C                                    |      | 2.1  |      | A              |

1. Load and line regulation are specified at constant junction temperature. Changes in  $V_O$  due to heating effects must be taken into account separately. Pulse testing with low duty cycle is used.

Note: Minimum load current for regulation is 5 mA.

Refer to the test circuits,  $T_J = 0$  to  $125$  °C,  $V_I = 33$  V,  $I_O = 500$  mA,  $C_I = 0.33$   $\mu$ F,  $C_O = 0.1$   $\mu$ F unless otherwise specified.

**Table 18. Electrical characteristics of L7824C**

| Symbol                      | Parameter                  | Test conditions                                  | Min. | Typ. | Max. | Unit           |
|-----------------------------|----------------------------|--|------|------|------|----------------|
| $V_O$                       | Output voltage             | $T_J = 25$ °C                                    | 23   | 24   | 25   | V              |
| $V_O$                       | Output voltage             | $I_O = 5$ mA to $1$ A, $V_I = 27$ to $37$ V      | 22.8 | 24   | 25.2 | V              |
| $V_O$                       | Output voltage             | $I_O = 1$ A, $V_I = 37$ to $38$ V, $T_J = 25$ °C | 22.8 | 24   | 25.2 | V              |
| $\Delta V_O$ <sup>(1)</sup> | Line regulation            | $V_I = 27$ to $38$ V, $T_J = 25$ °C              |      |      | 480  | mV             |
|                             |                            | $V_I = 30$ to $36$ V, $T_J = 25$ °C              |      |      | 240  |                |
| $\Delta V_O$ <sup>(1)</sup> | Load regulation            | $I_O = 5$ mA to $1.5$ A, $T_J = 25$ °C           |      |      | 480  | mV             |
|                             |                            | $I_O = 250$ to $750$ mA, $T_J = 25$ °C           |      |      | 240  |                |
| $I_d$                       | Quiescent current          | $T_J = 25$ °C                                    |      |      | 8    | mA             |
| $\Delta I_d$                | Quiescent current change   | $I_O = 5$ mA to $1$ A                            |      |      | 0.5  | mA             |
|                             |                            | $V_I = 27$ to $38$ V                             |      |      | 1    |                |
| $\Delta V_O/\Delta T$       | Output voltage drift       | $I_O = 5$ mA                                     |      | -1.5 |      | mV/°C          |
| eN                          | Output noise voltage       | $B = 10$ Hz to $100$ kHz, $T_J = 25$ °C          |      | 170  |      | $\mu$ V/ $V_O$ |
| SVR                         | Supply voltage rejection   | $V_I = 28$ to $38$ V, $f = 120$ Hz               | 50   |      |      | dB             |
| $V_d$                       | Dropout voltage            | $I_O = 1$ A, $T_J = 25$ °C                       |      | 2    |      | V              |
| $R_O$                       | Output resistance          | $f = 1$ kHz                                      |      | 28   |      | m $\Omega$     |
| $I_{sc}$                    | Short circuit current      | $V_I = 35$ V, $T_J = 25$ °C                      |      | 0.15 |      | A              |
| $I_{scp}$                   | Short circuit peak current | $T_J = 25$ °C                                    |      | 2.1  |      | A              |

1. Load and line regulation are specified at constant junction temperature. Changes in  $V_O$  due to heating effects must be taken into account separately. Pulse testing with low duty cycle is used.

Note: Minimum load current for regulation is 5 mA.

## 6 Application information

### 6.1 Design consideration

The L78 Series of fixed voltage regulators are designed with thermal overload protection that shuts down the circuit when subjected to an excessive power overload condition, internal short-circuit protection that limits the maximum current the circuit will pass, and output transistor safe-area compensation that reduces the output short-circuit current as the voltage across the pass transistor is increased. In many low current applications, compensation capacitors are not required. However, it is recommended that the regulator input be bypassed with capacitor if the regulator is connected to the power supply filter with long lengths, or if the output load capacitance is large. An input bypass capacitor should be selected to provide good high frequency characteristics to insure stable operation under all load conditions. A 0.33  $\mu\text{F}$  or larger tantalum, mylar or other capacitor having low internal impedance at high frequencies should be chosen. The bypass capacitor should be mounted with the shortest possible leads directly across the regulators input terminals. Normally good construction techniques should be used to minimize ground loops and lead resistance drops since the regulator has no external sense lead.

The addition of an operational amplifier allows adjustment to higher or intermediate values while retaining regulation characteristics. The minimum voltage obtained with the arrangement is 2 V greater than the regulator voltage.

The circuit of [Figure 14. High current voltage regulator](#) can be modified to provide supply protection against short circuit by adding a short circuit sense resistor, RSC, and an additional PNP transistor. The current sensing PNP must be able to handle the short circuit current of the three terminal regulator Therefore a four ampere plastic power transistor is specified.

**Figure 9. Fixed output regulator**



GAMG220920161007MT

1. Although no output capacitor is need for stability, it does improve transient response.
2. Required if regulator is located an appreciable distance from power supply filter.

**Figure 10. Current regulator**

**Figure 11. Circuit for increasing output voltage**

**Figure 12. Adjustable output regulator (7 to 30 V)**


**Figure 13. 0.5 to 10 V regulator**

**Figure 14. High current voltage regulator**

**Figure 15. High output current with short circuit protection**



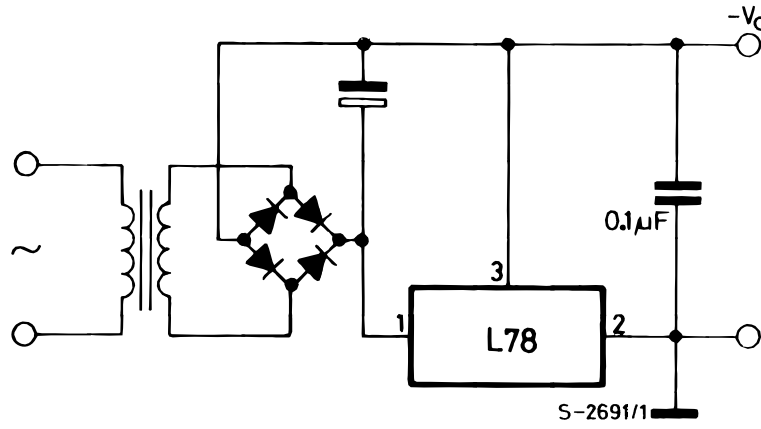

**Figure 16. Tracking voltage regulator**


GAMG220920161014MT

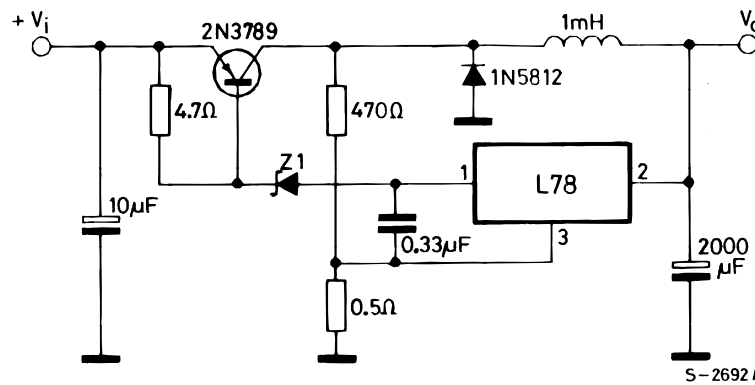
**Figure 17. Split power supply ( $\pm 15\text{ V} - 1\text{ A}$ )**


GAMG220920161015MT

Note: \* Against potential latch-up problems.

**Figure 18. Negative output voltage circuit**


GAMG220920161016MT

**Figure 19. Switching regulator**


GAMG220920161017MT

**Figure 20. High input voltage circuit (configuration 1)**


$$V_{IN} = V_I - (V_Z + V_{BE})$$

GAMG220920161018MT

**Figure 21. High input voltage circuit (configuration 2)**


GAMG220920161019MT

**Figure 22. High input and output voltage**


$$V_O = V_{XX} + V_{Z1}$$

GAMG220920161020MT

**Figure 23. Reducing power dissipation with dropping resistor**


$$R = \frac{V_{I(\min)} - V_{XX} - V_{DROD(\max)}}{I_{O(\max)} + I_{d(\max)}}$$

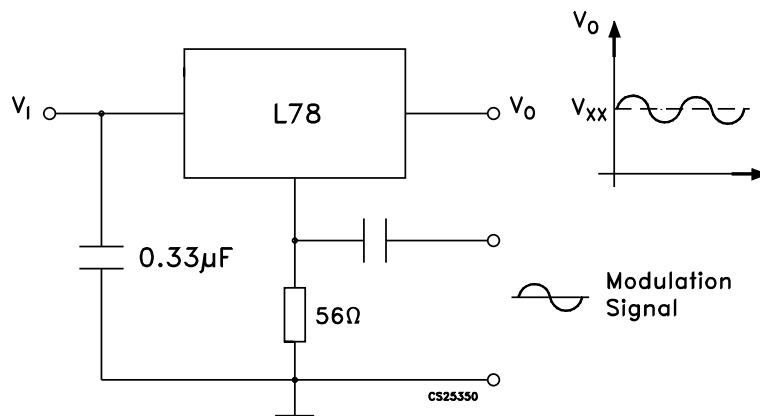
GAMG220920161021MT

Figure 24. Remote shutdown



GAMG220920161022MT

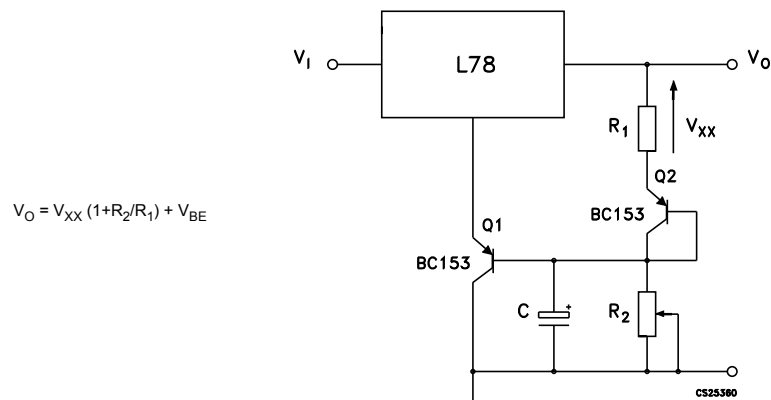
Figure 25. Power AM modulator (unity voltage gain,  $I_O \leq 0.5$ )



GAMG220920161023MT

Note: The circuit performs well up to 100 kHz.

Figure 26. Adjustable output voltage with temperature compensation



$$V_O = V_{XX} (1 + R_2/R_1) + V_{BE}$$

GAMG220920161024MT

Note:  $Q_2$  is connected as a diode in order to compensate the variation of the  $Q_1$   $V_{BE}$  with the temperature.  $C$  allows a slow rise time of the  $V_O$ .

**Figure 27. Light controllers ( $V_{O(\min)} = V_{XX} + V_{BE}$ )**


GAMG220920161025MT

**Figure 28. Protection against input short-circuit with high capacitance loads**


GAMG220920161026MT

**Note:** Application with high capacitance loads and an output voltage greater than 6 volts need an external diode (see [Figure 23. Reducing power dissipation with dropping resistor](#)) to protect the device against input short circuit. In this case the input voltage falls rapidly while the output voltage decrease slowly. The capacitance discharges by means of the base-emitter junction of the series pass transistor in the regulator. If the energy is sufficiently high, the transistor may be destroyed. The external diode by-passes the current from the IC to ground.

## 7 Typical performance

**Figure 29. Dropout voltage vs junction temperature**

**Figure 30. Peak output current vs input/output differential voltage**

**Figure 31. Supply voltage rejection vs frequency**

**Figure 32. Output voltage vs junction temperature**


**Figure 33. Output impedance vs frequency**

**Figure 34. Quiescent current vs junction temp.**

**Figure 35. Load transient response**

**Figure 36. Line transient response**

**Figure 37. Quiescent current vs. input voltage**


## 8 Package information

---

In order to meet environmental requirements, ST offers these devices in different grades of ECOPACK® packages, depending on their level of environmental compliance. ECOPACK® specifications, grade definitions and product status are available at: [www.st.com](http://www.st.com). ECOPACK® is an ST trademark.



### 8.1 TO-220 (dual gauge) package information

Figure 38. TO-220 (dual gauge) package outline



0015988\_21\_Type A

**Table 19. TO-220 (dual gauge) mechanical data**

| Dim. | mm    |       |       |
|------|-------|-------|-------|
|      | Min.  | Typ.  | Max.  |
| A    | 4.40  |       | 4.60  |
| b    | 0.61  |       | 0.88  |
| b1   | 1.14  |       | 1.70  |
| c    | 0.48  |       | 0.70  |
| D    | 15.25 |       | 15.75 |
| D1   |       | 1.27  |       |
| E    | 10    |       | 10.40 |
| e    | 2.40  |       | 2.70  |
| e1   | 4.95  |       | 5.15  |
| F    | 1.23  |       | 1.32  |
| H1   | 6.20  |       | 6.60  |
| J1   | 2.40  |       | 2.72  |
| L    | 13    |       | 14    |
| L1   | 3.50  |       | 3.93  |
| L20  |       | 16.40 |       |
| L30  |       | 28.90 |       |
| ØP   | 3.75  |       | 3.85  |
| Q    | 2.65  |       | 2.95  |

## 8.2 TO-220 (single gauge) package information

Figure 39. TO-220 (single gauge) package outline



8174627\_5

**Table 20. TO-220 (single gauge) mechanical data**

| Dim. | mm    |       |       |
|------|-------|-------|-------|
|      | Min.  | Typ.  | Max.  |
| A    | 4.40  |       | 4.60  |
| b    | 0.61  |       | 0.88  |
| b1   | 1.14  |       | 1.70  |
| c    | 0.48  |       | 0.70  |
| D    | 15.25 |       | 15.75 |
| E    | 10.00 |       | 10.40 |
| e    | 2.40  |       | 2.70  |
| e1   | 4.95  |       | 5.15  |
| F    | 0.51  |       | 0.60  |
| H1   | 6.20  |       | 6.60  |
| J1   | 2.40  |       | 2.72  |
| L    | 13.00 |       | 14.00 |
| L1   | 3.50  |       | 3.93  |
| L20  |       | 16.40 |       |
| L30  |       | 28.90 |       |
| ØP   | 3.75  |       | 3.85  |
| Q    | 2.65  |       | 2.95  |

### 8.3 TO-220FP type A package information

Figure 40. TO-220FP package outline



7012510\_type\_A

Table 21. TO-220FP package mechanical data

| Dim. | mm   |      |      |
|------|------|------|------|
|      | Min. | Typ. | Max. |
| A    | 4.4  |      | 4.6  |
| B    | 2.5  |      | 2.7  |
| D    | 2.5  |      | 2.75 |
| E    | 0.45 |      | 0.7  |
| F    | 0.75 |      | 1    |
| F1   | 1.15 |      | 1.70 |
| F2   | 1.15 |      | 1.70 |
| G    | 4.95 |      | 5.2  |
| G1   | 2.4  |      | 2.7  |
| H    | 10   |      | 10.4 |
| L2   |      | 16   |      |
| L3   | 28.6 |      | 30.6 |
| L4   | 9.8  |      | 10.6 |
| L5   | 2.9  |      | 3.6  |
| L6   | 15.9 |      | 16.4 |
| L7   | 9    |      | 9.3  |
| Dia  | 3    |      | 3.2  |

## 8.4 TO-220 (single/dual) packing information

Figure 41. Tube for TO-220 (dual gauge) (mm.)

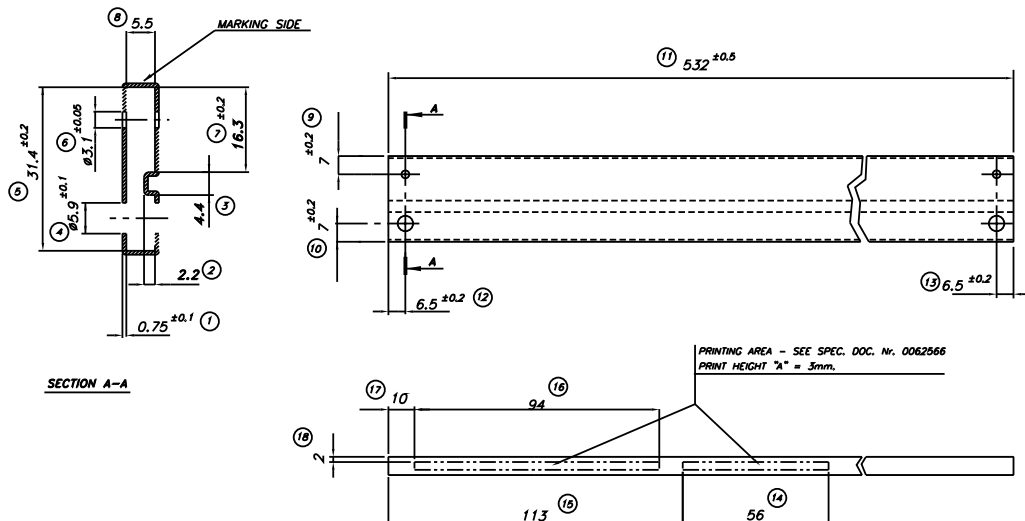


Figure 42. Tube for TO-220 (single gauge) (mm.)



## 8.5 DPAK package information

Figure 43. DPAK package outline



0068772\_A\_21

**Table 22. DPAK mechanical data**

| Dim. | mm   |      |       |
|------|------|------|-------|
|      | Min. | Typ. | Max.  |
| A    | 2.20 |      | 2.40  |
| A1   | 0.90 |      | 1.10  |
| A2   | 0.03 |      | 0.23  |
| b    | 0.64 |      | 0.90  |
| b4   | 5.20 |      | 5.40  |
| c    | 0.45 |      | 0.60  |
| c2   | 0.48 |      | 0.60  |
| D    | 6.00 |      | 6.20  |
| D1   |      | 5.10 |       |
| E    | 6.40 |      | 6.60  |
| E1   |      | 4.70 |       |
| e    |      | 2.28 |       |
| e1   | 4.40 |      | 4.60  |
| H    | 9.35 |      | 10.10 |
| L    | 1.00 |      | 1.50  |
| (L1) |      | 2.80 |       |
| L2   |      | 0.80 |       |
| L4   | 0.60 |      | 1.00  |
| R    |      | 0.20 |       |
| V2   | 0°   |      | 8°    |



Figure 44. DPAK recommended footprint (dimensions are in mm)



Footprint\_0068772

### 8.6 D<sup>2</sup>PAK (SMD 2L STD-ST) type A package information

Figure 45. D<sup>2</sup>PAK (SMD 2L STD-ST) type A package outline



0079457\_22\_type A

**Table 23. D<sup>2</sup>PAK (SMD 2L STD-ST) mechanical data**

| Dim. | mm   |      |       |
|------|------|------|-------|
|      | Min. | Typ. | Max.  |
| A    | 4.40 |      | 4.60  |
| A1   | 0.03 |      | 0.23  |
| b    | 0.70 |      | 0.93  |
| b2   | 1.14 |      | 1.70  |
| c    | 0.45 |      | 0.60  |
| c2   | 1.23 |      | 1.36  |
| D    | 8.95 |      | 9.35  |
| D1   | 7.50 | 7.75 | 8.00  |
| D2   | 1.10 | 1.30 | 1.50  |
| E    | 10   |      | 10.40 |
| E1   | 8.50 | 8.70 | 8.90  |
| E2   | 6.85 | 7.05 | 7.25  |
| e    |      | 2.54 |       |
| e1   | 4.88 |      | 5.28  |
| H    | 15   |      | 15.85 |
| J1   | 2.49 |      | 2.69  |
| L    | 2.29 |      | 2.79  |
| L1   | 1.27 |      | 1.40  |
| L2   | 1.30 |      | 1.75  |
| R    |      | 0.4  |       |
| V2   | 0°   |      | 8°    |

### 8.7 D<sup>2</sup>PAK (ASE) type B package information

Figure 46. D<sup>2</sup>PAK (ASE subcon) type B package outline



0079457\_23\_type B

**Table 24. D<sup>2</sup>PAK (ASE) type B mechanical data**

| Dim. | mm    |      |       |
|------|-------|------|-------|
|      | Min.  | Typ. | Max.  |
| A    | 4.36  |      | 4.56  |
| A1   | 0     |      | 0.25  |
| b    | 0.70  |      | 0.90  |
| b1   | 0.51  |      | 0.89  |
| b2   | 1.17  |      | 1.37  |
| b3   | 1.36  |      | 1.46  |
| c    | 0.38  |      | 0.694 |
| c1   | 0.38  |      | 0.534 |
| c2   | 1.19  |      | 1.34  |
| D    | 8.60  |      | 9.00  |
| D1   | 6.90  |      | 7.50  |
| E    | 10.15 |      | 10.55 |
| E1   | 8.10  |      | 8.70  |
| e    |       | 2.54 |       |
| H    | 15.00 |      | 15.60 |
| L    | 1.90  |      | 2.50  |
| L1   |       |      | 1.65  |
| L2   |       |      | 1.78  |
| L3   |       | 0.25 |       |
| L4   | 4.78  |      | 5.28  |

Figure 47. D<sup>2</sup>PAK recommended footprint (dimensions are in mm)



Footprint\_0079457

## 8.8 D<sup>2</sup>PAK and DPAK packing information

**Figure 48. Tape outline**



AM08852v1

Figure 49. Reel outline



AM06038v1

Table 25. D<sup>2</sup>PAK tape and reel mechanical data

| Tape |      |      | Reel          |      |      |               |  |
|------|------|------|---------------|------|------|---------------|--|
| Dim. | mm   |      | Dim.          | mm   |      |               |  |
|      | Min. | Max. |               | Min. | Max. |               |  |
| A0   | 10.5 | 10.7 | A             |      | 330  |               |  |
| B0   | 15.7 | 15.9 | B             | 1.5  |      |               |  |
| D    | 1.5  | 1.6  | C             | 12.8 | 13.2 |               |  |
| D1   | 1.59 | 1.61 | D             | 20.2 |      |               |  |
| E    | 1.65 | 1.85 | G             | 24.4 | 26.4 |               |  |
| F    | 11.4 | 11.6 | N             | 100  |      |               |  |
| K0   | 4.8  | 5.0  | T             |      | 30.4 |               |  |
| P0   | 3.9  | 4.1  | Base quantity |      |      |               |  |
| P1   | 11.9 | 12.1 |               |      |      | 1000          |  |
| P2   | 1.9  | 2.1  |               |      |      | Bulk quantity |  |
| R    | 50   |      |               |      |      | 1000          |  |
| T    | 0.25 | 0.35 |               |      |      |               |  |
| W    | 23.7 | 24.3 |               |      |      |               |  |



**Table 26. DPAK tape and reel mechanical data**

| Tape |      |      | Reel      |      |      |
|------|------|------|-----------|------|------|
| Dim. | mm   |      | Dim.      | mm   |      |
|      | Min. | Max. |           | Min. | Max. |
| A0   | 6.8  | 7    | A         |      | 330  |
| B0   | 10.4 | 10.6 | B         | 1.5  |      |
| B1   |      | 12.1 | C         | 12.8 | 13.2 |
| D    | 1.5  | 1.6  | D         | 20.2 |      |
| D1   | 1.5  |      | G         | 16.4 | 18.4 |
| E    | 1.65 | 1.85 | N         | 50   |      |
| F    | 7.4  | 7.6  | T         |      | 22.4 |
| K0   | 2.55 | 2.75 |           |      |      |
| P0   | 3.9  | 4.1  | Base qty. |      | 2500 |
| P1   | 7.9  | 8.1  | Bulk qty. |      | 2500 |
| P2   | 1.9  | 2.1  |           |      |      |
| R    | 40   |      |           |      |      |
| T    | 0.25 | 0.35 |           |      |      |
| W    | 15.7 | 16.3 |           |      |      |

## 9 Ordering information

**Table 27. Order codes**

| Part number | Order codes              |                        |             |                    |          |                 |
|-------------|--------------------------|------------------------|-------------|--------------------|----------|-----------------|
|             | TO-220<br>(single gauge) | TO-220<br>(dual gauge) | DPAK        | D <sup>2</sup> PAK | TO-220FP | Output voltages |
| L7805C      | L7805CV                  | L7805CV-DG             | L7805CDT-TR | L7805CD2T-TR       | L7805CP  | 5 V             |
| L7805AB     | L7805ABV                 | L7805ABV-DG            |             | L7805ABD2T-TR      | L7805ABP | 5 V             |
| L7805AC     | L7805ACV                 | L7805ACV-DG            |             | L7805ACD2T-TR      | L7805ACP | 5 V             |
| L7806C      | L7806CV                  | L7806CV-DG             |             | L7806CD2T-TR       |          | 6 V             |
| L7806AB     | L7806ABV                 | L7806ABV-DG            |             | L7806ABD2T-TR      |          | 6 V             |
| L7806AC     | L7806ACV                 | L7806ACV-DG            |             |                    |          | 6 V             |
| L7808C      | L7808CV                  | L7808CV-DG             |             | L7808CD2T-TR       |          | 8 V             |
| L7808AB     | L7808ABV                 | L7808ABV-DG            |             | L7808ABD2T-TR      |          | 8 V             |
| L7808AC     | L7808ACV                 | L7808ACV-DG            |             |                    |          | 8 V             |
| L7885C      | L7885CV                  |                        |             |                    |          | 8.5 V           |
| L7809C      | L7809CV                  | L7809CV-DG             |             | L7809CD2T-TR       | L7809CP  | 9 V             |
| L7809AB     | L7809ABV                 | L7809ABV-DG            |             | L7809ABD2T-TR      |          | 9 V             |
| L7809AC     | L7809ACV                 |                        |             |                    |          | 9 V             |
| L7812C      | L7812CV                  | L7812CV-DG             |             | L7812CD2T-TR       | L7812CP  | 12 V            |
| L7812AB     | L7812ABV                 | L7812ABV-DG            |             | L7812ABD2T-TR      |          | 12 V            |
| L7812AC     | L7812ACV                 | L7812ACV-DG            |             | L7812ACD2T-TR      |          | 12 V            |
| L7815C      | L7815CV                  | L7815CV-DG             |             | L7815CD2T-TR       | L7815CP  | 15 V            |
| L7815AB     | L7815ABV                 | L7815ABV-DG            |             | L7815ABD2T-TR      |          | 15 V            |
| L7815AC     | L7815ACV                 | L7815ACV-DG            |             | L7815ACD2T-TR      |          | 15 V            |
| L7818C      | L7818CV                  | L7818CV-DG             |             |                    |          | 18 V            |
| L7824C      | L7824CV                  | L7824CV-DG             |             | L7824CD2T-TR       | L7824CP  | 24 V            |
| L7824AB     | L7824ABV                 | L7824ABV-DG            |             |                    |          | 24 V            |
| L7824AC     | L7824ACV                 | L7824ACV-DG            |             |                    |          | 24 V            |

## Revision history

**Table 28. Document revision history**

| Date        | Revision | Changes  |
|-------------|----------|--|
| 21-Jun-2004 | 12       | Document updating.   |
| 03-Aug-2006 | 13       | Order codes has been updated and new template.   |
| 19-Jan-2007 | 14       | D <sup>2</sup> PAK mechanical data has been updated and add footprint data.  |
| 31-May-2007 | 15       | Order codes has been updated.  |
| 29-Aug-2007 | 16       | Added Table 1 in cover page.   |
| 11-Dec-2007 | 17       | Modified: Table 27.  |
| 06-Feb-2008 | 18       | Added: TO-220 mechanical data Figure 38 on page 38 , Figure 39 on page 39, and Table 23 on page 37. Modified: Table 27 on page 58.   |
| 18-Mar-2008 | 19       | Added: Table 29: DPAK mechanical data on page 50, Table 30: Tape and reel DPAK mechanical data on page 52. Modified: Table 27 on page 58.  |
| 26-Jan-2010 | 20       | Modified Table 1 on page 1 and Table 23 on page 37, added: Figure 38 on page 38 and Figure 39 on page 39, Figure 40 on page 45 and Figure 41 on page 45.   |
| 04-Mar-2010 | 21       | Added notes Figure 38 on page 38.  |
| 08-Sep-2010 | 22       | Modified Table 27 on page 58.  |
| 23-Nov-2010 | 23       | Added: TJ = 25 °C test condition in DVO on Table 3, 4, 5, 6, 7, 8 and Table 9.   |
| 16-Sep-2011 | 24       | Modified title on page 1.  |
| 30-Nov-2011 | 25       | Added: order codes L7805CV-DG, L7806CV-DG, L7808ABV-DG, L7812CV-DG and L7815CV-DG Table 27 on page 58.   |
| 08-Feb-2012 | 26       | Added: order codes L7805ACV-DG, L7805ABV-DG, L7806ABV-DG, L7808CV-DG, L7809CV-DG, L7812ACV-DG, L7818CV-DG, L7824CV-DG Table 27 on page 58.   |
| 27-Mar-2012 | 27       | Added: order codes L7812ABV-DG, L7815ABV-DG Table 27 on page 58.   |
| 27-Apr-2012 | 28       | Modified: VI = 10.4 to 23 V ==> VI = 11.4 to 23 V test conditon value Line regulation Table 6 on page 13.  |
| 10-May-2012 | 29       | Added: order codes L7806ACV-DG, L7808ACV-DG, L7815ACV-DG, L7824ABV-DG and L7824ACV-DG Table 27 on page 58.   |
| 19-Sep-2012 | 30       | Modified load regulation units from V to mV in Table 3 to Table 9.   |
| 12-Mar-2013 | 31       | Modified: VO output voltage at 25 °C min. value 14.4 V Table 16 on page 23.  |
| 04-Mar-2014 | 32       | Part numbers L78xx, L78xxC, L78xxAB, L78xxAC changed to L78.<br>Removed TO-3 package.<br>Updated the description in cover page, Section 2: Pin configuration, Section 3: Maximum ratings, Section 4: Test circuits, Section 5: Electrical characteristics, Section 6: Application information, Section 8: Package information and Table 27: Order codes.<br>Added Section 9: Packaging mechanical data.<br>Minor text changes. |
| 26-Feb-2016 | 33       | Updated Section 8: Package information.<br>Minor text changes.   |
| 28-Nov-2016 | 34       | Updated Section 9: "Ordering information".<br>Minor text changes.  |
| 25-May-2018 | 35       | Updated D <sup>2</sup> PAK package Section 8.7 D <sup>2</sup> PAK (ASE) type B package information.  |
| 17-Sep-2018 | 36       | Updated <a href="#">Figure 29. Dropout voltage vs junction temperature</a> .   |

## Contents

|          |   |           |
|----------|---|-----------|
| <b>1</b> | <b>Diagram</b> .....  | <b>2</b>  |
| <b>2</b> | <b>Pin configuration</b> .....                                      | <b>3</b>  |
| <b>3</b> | <b>Maximum ratings</b> .....  | <b>4</b>  |
| <b>4</b> | <b>Test circuits</b> .....  | <b>5</b>  |
| <b>5</b> | <b>Electrical characteristics</b> .....                             | <b>6</b>  |
| <b>6</b> | <b>Application information</b> .....                                | <b>22</b> |
| 6.1      | Design consideration .....  | 22        |
| <b>7</b> | <b>Typical performance</b> .....                                    | <b>30</b> |
| <b>8</b> | <b>Package information</b> .....                                    | <b>32</b> |
| 8.1      | TO-220 (dual gauge) package information .....                       | 32        |
| 8.2      | TO-220 (single gauge) package information .....                     | 34        |
| 8.3      | TO-220FP package information .....                                  | 36        |
| 8.4      | TO-220 packing information .....                                    | 38        |
| 8.5      | DPAK package information .....                                      | 39        |
| 8.6      | D <sup>2</sup> PAK (SMD 2L STD-ST) type A package information ..... | 41        |
| 8.7      | D <sup>2</sup> PAK (ASE subcon) type B package information .....    | 43        |
| 8.8      | D <sup>2</sup> PAK and DPAK packing information .....               | 46        |
| <b>9</b> | <b>Ordering information</b> .....                                   | <b>50</b> |
|          | <b>Revision history</b> .....                                       | <b>51</b> |
|          | <b>Contents</b> .....   | <b>52</b> |
|          | <b>List of tables</b> .....   | <b>53</b> |
|          | <b>List of figures</b> .....  | <b>54</b> |

## List of tables

|                  |  |    |
|------------------|--|----|
| <b>Table 1.</b>  | Absolute maximum ratings . . . . .                           | 4  |
| <b>Table 2.</b>  | Thermal data . . . . .                                       | 4  |
| <b>Table 3.</b>  | Electrical characteristics of L7805A . . . . .               | 6  |
| <b>Table 4.</b>  | Electrical characteristics of L7806A . . . . .               | 7  |
| <b>Table 5.</b>  | Electrical characteristics of L7808A . . . . .               | 8  |
| <b>Table 6.</b>  | Electrical characteristics of L7809A . . . . .               | 9  |
| <b>Table 7.</b>  | Electrical characteristics of L7812A . . . . .               | 10 |
| <b>Table 8.</b>  | Electrical characteristics of L7815A . . . . .               | 11 |
| <b>Table 9.</b>  | Electrical characteristics of L7824A . . . . .               | 12 |
| <b>Table 10.</b> | Electrical characteristics of L7805C . . . . .               | 13 |
| <b>Table 11.</b> | Electrical characteristics of L7806C . . . . .               | 14 |
| <b>Table 12.</b> | Electrical characteristics of L7808C . . . . .               | 15 |
| <b>Table 13.</b> | Electrical characteristics of L7885C . . . . .               | 16 |
| <b>Table 14.</b> | Electrical characteristics of L7809C . . . . .               | 17 |
| <b>Table 15.</b> | Electrical characteristics of L7812C . . . . .               | 18 |
| <b>Table 16.</b> | Electrical characteristics of L7815C . . . . .               | 19 |
| <b>Table 17.</b> | Electrical characteristics of L7818C . . . . .               | 20 |
| <b>Table 18.</b> | Electrical characteristics of L7824C . . . . .               | 21 |
| <b>Table 19.</b> | TO-220 (dual gauge) mechanical data . . . . .                | 34 |
| <b>Table 20.</b> | TO-220 (single gauge) mechanical data . . . . .              | 36 |
| <b>Table 21.</b> | TO-220FP package mechanical data . . . . .                   | 38 |
| <b>Table 22.</b> | DPAK mechanical data . . . . .                               | 40 |
| <b>Table 23.</b> | D <sup>2</sup> PAK (SMD 2L STD-ST) mechanical data . . . . . | 43 |
| <b>Table 24.</b> | D <sup>2</sup> PAK (ASE) type B mechanical data . . . . .    | 45 |
| <b>Table 25.</b> | D <sup>2</sup> PAK tape and reel mechanical data . . . . .   | 48 |
| <b>Table 26.</b> | DPAK tape and reel mechanical data . . . . .                 | 49 |
| <b>Table 27.</b> | Order codes . . . . .  | 50 |
| <b>Table 28.</b> | Document revision history . . . . .                          | 51 |

## List of figures

|            |  |    |
|------------|--|----|
| Figure 2.  | Block diagram . . . . .  | 2  |
| Figure 3.  | Pin connections (top view) . . . . .   | 3  |
| Figure 4.  | Schematic diagram . . . . .  | 3  |
| Figure 5.  | Application circuits . . . . .   | 4  |
| Figure 6.  | DC parameter. . . . .  | 5  |
| Figure 7.  | Load regulation. . . . .   | 5  |
| Figure 8.  | Ripple rejection. . . . .  | 5  |
| Figure 9.  | Fixed output regulator . . . . .   | 22 |
| Figure 10. | Current regulator . . . . .  | 23 |
| Figure 11. | Circuit for increasing output voltage. . . . .                               | 23 |
| Figure 12. | Adjustable output regulator (7 to 30 V). . . . .                             | 23 |
| Figure 13. | 0.5 to 10 V regulator . . . . .  | 24 |
| Figure 14. | High current voltage regulator. . . . .                                      | 24 |
| Figure 15. | High output current with short circuit protection. . . . .                   | 24 |
| Figure 16. | Tracking voltage regulator . . . . .   | 25 |
| Figure 17. | Split power supply ( $\pm 15\text{ V} - 1\text{ A}$ ). . . . .               | 25 |
| Figure 18. | Negative output voltage circuit . . . . .                                    | 26 |
| Figure 19. | Switching regulator . . . . .  | 26 |
| Figure 20. | High input voltage circuit (configuration 1) . . . . .                       | 26 |
| Figure 21. | High input voltage circuit (configuration 2) . . . . .                       | 27 |
| Figure 22. | High input and output voltage . . . . .                                      | 27 |
| Figure 23. | Reducing power dissipation with dropping resistor. . . . .                   | 27 |
| Figure 24. | Remote shutdown. . . . .   | 28 |
| Figure 25. | Power AM modulator (unity voltage gain, $I_O \leq 0.5$ ). . . . .            | 28 |
| Figure 26. | Adjustable output voltage with temperature compensation . . . . .            | 28 |
| Figure 27. | Light controllers ( $V_{O(\min)} = V_{XX} + V_{BE}$ ). . . . .               | 29 |
| Figure 28. | Protection against input short-circuit with high capacitance loads . . . . . | 29 |
| Figure 29. | Dropout voltage vs junction temperature . . . . .                            | 30 |
| Figure 30. | Peak output current vs input/output differential voltage. . . . .            | 30 |
| Figure 31. | Supply voltage rejection vs frequency . . . . .                              | 30 |
| Figure 32. | Output voltage vs junction temperature . . . . .                             | 30 |
| Figure 33. | Output impedance vs frequency . . . . .                                      | 31 |
| Figure 34. | Quiescent current vs junction temp. . . . .                                  | 31 |
| Figure 35. | Load transient response . . . . .  | 31 |
| Figure 36. | Line transient response . . . . .  | 31 |
| Figure 37. | Quiescent current vs. input voltage . . . . .                                | 31 |
| Figure 38. | TO-220 (dual gauge) package outline . . . . .                                | 33 |
| Figure 39. | TO-220 (single gauge) package outline . . . . .                              | 35 |
| Figure 40. | TO-220FP package outline. . . . .  | 37 |
| Figure 41. | Tube for TO-220 (dual gauge) (mm.) . . . . .                                 | 38 |
| Figure 42. | Tube for TO-220 (single gauge) (mm.) . . . . .                               | 39 |
| Figure 43. | DPAK package outline. . . . .  | 39 |
| Figure 44. | DPAK recommended footprint (dimensions are in mm). . . . .                   | 41 |
| Figure 45. | D <sup>2</sup> PAK (SMD 2L STD-ST) type A package outline . . . . .          | 42 |
| Figure 46. | D <sup>2</sup> PAK (ASE subcon) type B package outline . . . . .             | 44 |
| Figure 47. | D <sup>2</sup> PAK recommended footprint (dimensions are in mm) . . . . .    | 46 |
| Figure 48. | Tape outline . . . . .   | 47 |
| Figure 49. | Reel outline . . . . .   | 48 |

**IMPORTANT NOTICE – PLEASE READ CAREFULLY**

STMicroelectronics NV and its subsidiaries (“ST”) reserve the right to make changes, corrections, enhancements, modifications, and improvements to ST products and/or to this document at any time without notice. Purchasers should obtain the latest relevant information on ST products before placing orders. ST products are sold pursuant to ST’s terms and conditions of sale in place at the time of order acknowledgement.

Purchasers are solely responsible for the choice, selection, and use of ST products and ST assumes no liability for application assistance or the design of Purchasers’ products.

No license, express or implied, to any intellectual property right is granted by ST herein.

Resale of ST products with provisions different from the information set forth herein shall void any warranty granted by ST for such product.

ST and the ST logo are trademarks of ST. All other product or service names are the property of their respective owners.

Information in this document supersedes and replaces information previously supplied in any prior versions of this document.

© 2018 STMicroelectronics – All rights reserved



Компания «ЭлектроПласт» предлагает заключение долгосрочных отношений при поставках импортных электронных компонентов на взаимовыгодных условиях!

Наши преимущества:

- Оперативные поставки широкого спектра электронных компонентов отечественного и импортного производства напрямую от производителей и с крупнейших мировых складов;
- Поставка более 17-ти миллионов наименований электронных компонентов;
- Поставка сложных, дефицитных, либо снятых с производства позиций;
- Оперативные сроки поставки под заказ (от 5 рабочих дней);
- Экспресс доставка в любую точку России;
- Техническая поддержка проекта, помощь в подборе аналогов, поставка прототипов;
- Система менеджмента качества сертифицирована по Международному стандарту ISO 9001;
- Лицензия ФСБ на осуществление работ с использованием сведений, составляющих государственную тайну;
- Поставка специализированных компонентов (Xilinx, Altera, Analog Devices, Intersil, Interpoint, Microsemi, Aeroflex, Peregrine, Syfer, Eurofarad, Texas Instrument, Miteq, Cobham, E2V, MA-COM, Hittite, Mini-Circuits, General Dynamics и др.);

Помимо этого, одним из направлений компании «ЭлектроПласт» является направление «Источники питания». Мы предлагаем Вам помощь Конструкторского отдела:

- Подбор оптимального решения, техническое обоснование при выборе компонента;
- Подбор аналогов;
- Консультации по применению компонента;
- Поставка образцов и прототипов;
- Техническая поддержка проекта;
- Защита от снятия компонента с производства.



#### Как с нами связаться

**Телефон:** 8 (812) 309 58 32 (многоканальный)

**Факс:** 8 (812) 320-02-42

**Электронная почта:** [org@eplast1.ru](mailto:org@eplast1.ru)

**Адрес:** 198099, г. Санкт-Петербург, ул. Калинина, дом 2, корпус 4, литера А.