

PLEASE CHECK WWW.MOLEX.COM FOR LATEST PART INFORMATION

Part Number: [0473065005](#)

Status: **Active**

Overview: [serial_ata_products](#)

Description: 1.27mm (.050") Pitch Serial ATA High Speed Header, Vertical, Surface Mount, with Locking Latches, 7 Circuits, 0.38µm (15µ") Gold (Au) Plating, Metal Post Length 2.65mm (.104"), with Mylar, Tape on Reel Package, Lead-free

Documents:

[3D Model](#)

[Drawing \(PDF\)](#)

[Product Specification PS-67491-001 \(PDF\)](#)

[RoHS Certificate of Compliance \(PDF\)](#)

Agency Certification

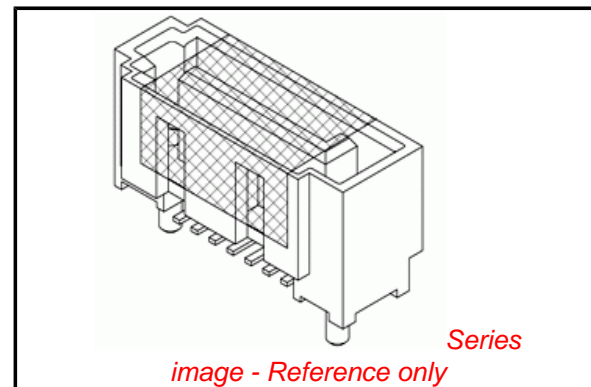
CSA LR 19980
UL E29179

General

Product Family PCB Headers
Series [47306](#)
Application Board-to-Board
Comments Staggered Solder Pin|Metal Post Length 2.65mm (.104")
Overview [serial_ata_products](#)
Product Name Serial ATA

Physical

Breakaway No
Circuits (Loaded) 7
Circuits (maximum) 7
Color - Resin Black
Durability (mating cycles max) 50
First Mate / Last Break Yes
Flammability 94V-0
Glow-Wire Compliant No
Guide to Mating Part Yes
Keying to Mating Part Yes
Lock to Mating Part Yes
Mated Height (in) 0.331 In
Mated Height (mm) 8.40 mm
Material - Metal Brass
Material - Plating Mating Gold
Material - Plating Termination Tin
Material - Resin High Temperature Thermoplastic
Number of Rows 1
Orientation Vertical
PCB Locator Yes
PCB Retention Yes
Packaging Type Embossed Tape on Reel
Pitch - Mating Interface (in) 0.050 In
Pitch - Mating Interface (mm) 1.27 mm
Pitch - Term. Interface (in) 0.050 In
Pitch - Term. Interface (mm) 1.27 mm
Plating min: Mating (µin) 15
Plating min: Mating (µm) 0.38
Plating min: Termination (µin) 50
Plating min: Termination (µm) 1.27
Polarized to Mating Part Yes
Polarized to PCB Yes



EU RoHS

**ELV and RoHS
Compliant**

REACH SVHC

Contains SVHC: No

Halogen-Free

Status

Halogen-Free

**Need more information on product
environmental compliance?**

Email productcompliance@molex.com
For a multiple part number RoHS Certificate of Compliance, [click here](#)

Please visit the [Contact Us](#) section for any non-product compliance questions.

China RoHS



Search Parts in this Series

[47306Series](#)

Robotic Placement	Vacuum Pick-Up Tape
Shrouded	Fully
Stackable	No
Temperature Range - Operating	-35°C to +85°C
Termination Interface: Style	Surface Mount

Electrical

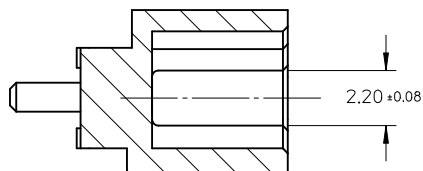
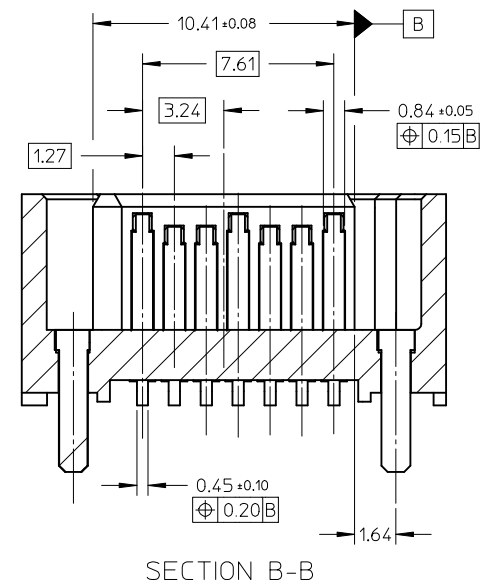
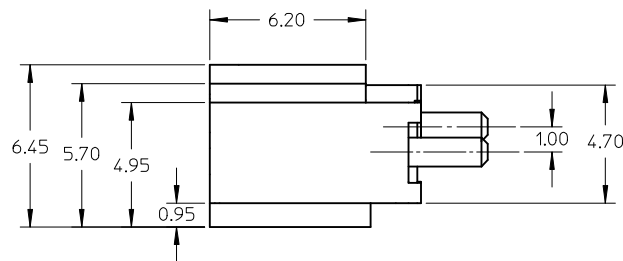
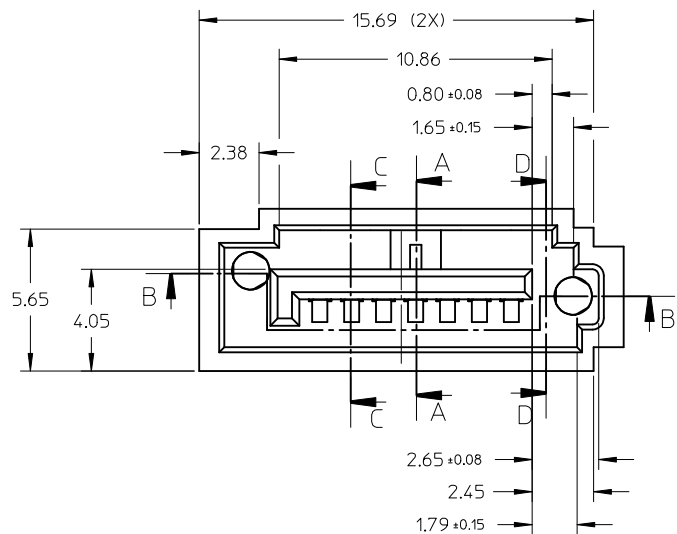
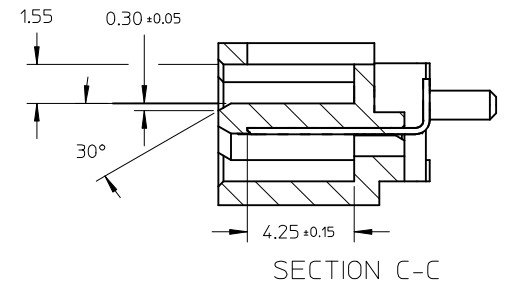
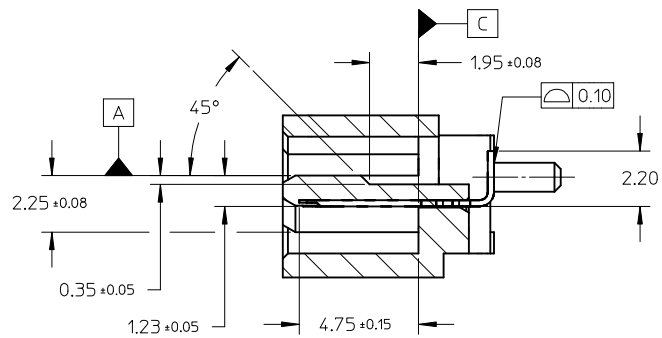
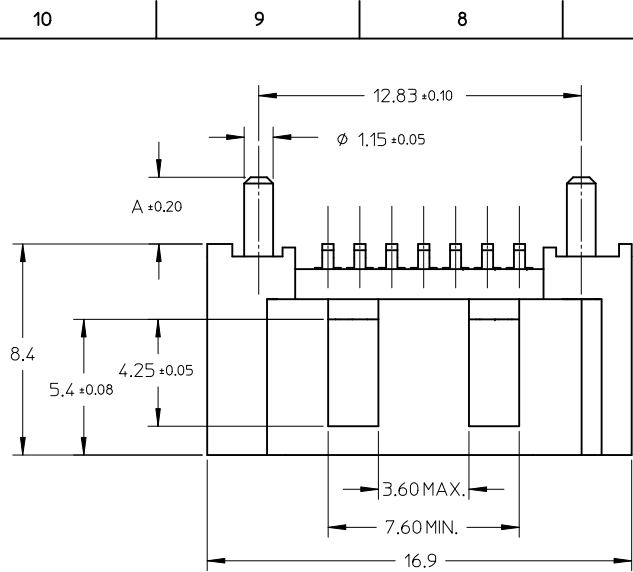
Current - Maximum per Contact	1.5A
Voltage - Maximum	15V DC

Material Info**Reference - Drawing Numbers**

Packaging Specification	PK-47306-001
Product Specification	PS-67491-001
Sales Drawing	SD-47306-001

This document was generated on 05/26/2010

PLEASE CHECK WWW.MOLEX.COM FOR LATEST PART INFORMATION



SECTION D-D

ADD PART NUMBER EC NO: SH2010-0232 DRWN: XJ SONG CHKD: XJ SONG APPR: RZHANG	2010/01/07 2010/01/11 2010/01/14	QUALITY SYMBOLS ▽=0 ◻=0	GENERAL TOLERANCES (UNLESS SPECIFIED)		DIMENSION STYLE MM ONLY	SCALE 5:1	DESIGN UNITS METRIC	THIRD ANGLE PROJECTION	
	DESCRIPTION REV		mm INCH	DRAWN BY JENNY	DATE 2005/07/22	TITLE HIGH SPEED CONNECTOR 1.27MM PITCH VERTICAL SMT SOLDER TAIL			
			4 PLACES ± --- ± --- 3 PLACES ± --- ± --- 2 PLACES ± 0.15 ± --- 1 PLACE ± 0.25 ± ---	CHECKED BY GRMA	DATE 2005/07/22	MOLEX INCORPORATED			
			ANGULAR ± 1 °	APPROVED BY YAP	DATE 2005/07/22	DOCUMENT NO. SD-47306-001	SHEET NO. 1 OF 2		

DRAFT WHERE APPLICABLE
MUST REMAIN
WITHIN DIMENSIONS

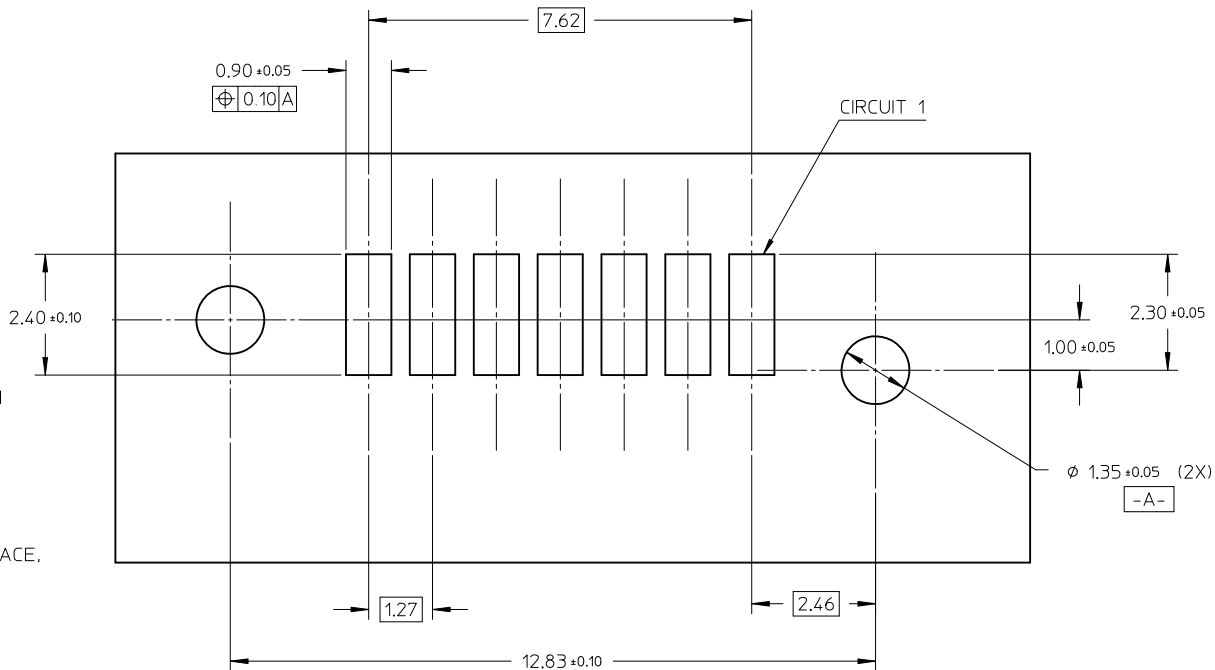
SEE SHEET 2

THIS DRAWING CONTAINS INFORMATION THAT IS PROPRIETARY TO MOLEX INCORPORATED AND SHOULD NOT BE USED WITHOUT WRITTEN PERMISSION

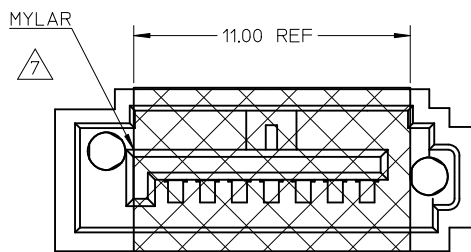
10 9 8 7 6 5 4 3 2 1

NOTES:

1. MATERIAL:
HOUSING: HIGH TEMPERATURE THERMAL PLASTIC, GLASS FILLED,
UL94V-0, COLOR: BLACK
TERMINAL: BRASS
POST: BRASS
2. TERMINAL PLATING:
CONTACT AREA: (a) GOLD FLASH
(b) GOLD, THICKNESS=0.76 MICRON MINIMUM
(c) GOLD, THICKNESS=0.38 MICRON MINIMUM
SOLDER TAIL: TIN, THICKNESS=1.27 MICRON MINIMUM
UNDER PLATE: NICKEL, THICKNESS=1.27 MICRON MINIMUM
3. POST PLATING: UNDER PLATE: NICKEL, THICKNESS=1.25 MICRON MINIMUM
TIN, THICKNESS=1.9 MICRON MINIMUM OVER ALL
4. PACKAGING: TAPE REEL
5. PRODUCT SPECIFICATION REFER TO PS-67491-001
6. RECOMMENDED SOLDERING PROCESS: IR PROCESS
7. THE MYLAR STICKED ON THE HOUSING IS JUST USED FOR PICK-UP PLACE,
PLEASE REMOVE IT AFTER REFLOW

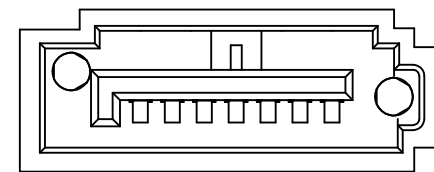


473062105	SEE NOTE2(c)	2.65	WITHOUT	PK-47306-002
473062102	SEE NOTE2(b)			
473062101	SEE NOTE2(a)			
473065025	SEE NOTE2(c)	3.45	WITH	PK-47306-001
473065022	SEE NOTE2(b)			
473065021	SEE NOTE2(a)			
473065015	SEE NOTE2(c)			
473065012	SEE NOTE2(b)			
473065011	SEE NOTE2(a)	3.05	WITH	PK-47306-001
473065005	SEE NOTE2(c)			
473065002	SEE NOTE2(b)	2.65	WITH	PK-47306-001
473065001	SEE NOTE2(a)			
473062025	SEE NOTE2(c)	3.45	WITHOUT	PK-47306-001
473062022	SEE NOTE2(b)			
473062021	SEE NOTE2(a)			
473062015	SEE NOTE2(c)			
473062012	SEE NOTE2(b)			
473062011	SEE NOTE2(a)	3.05	WITHOUT	PK-47306-001
473062005	SEE NOTE2(c)			
473062002	SEE NOTE2(b)			
473062001	SEE NOTE2(a)	2.65	WITHOUT	PK-47306-001
MATERIAL NO	PLATING TYPE	DIM A	MYLAR	PACKING



WITH MYLAR TYPE

RECOMMENDED P.C.B LAYOUT
CONNECTOR SIDE



WITHOUT MYLAR TYPE

SEE SHEET1 EC NO: SH2010-0232 DRW: XJ.SONG 2010/01/07 CHKD: XJ.SONG 2010/01/11 APPR: RZHANG 2010/01/14	REV	DESCRIPTION	QUALITY SYMBOLS	GENERAL TOLERANCES (UNLESS SPECIFIED)	DIMENSION STYLE		SCALE	DESIGN UNITS	THIRD ANGLE PROJECTION
			▽=0 ∇=0		MM ONLY	5:1	METRIC		
					mm				
					INCH				
			4 PLACES ± --- ± ---	DRAWN BY	DATE	TITLE	HIGH SPEED CONNECTOR 1.27MM PITCH VERTICAL SMT SOLDER TAIL		
			3 PLACES ± --- ± ---	JENNY	2005/07/22				
			2 PLACES ± 0.15 ± ---	CHECKED BY	DATE	MOLEX INCORPORATED	DOCUMENT NO. SD-47306-001	SHEET NO. 2 OF 2	
			1 PLACE ± 0.25 ± ---	GRMA	2005/07/22				
			ANGULAR ± 1 °	APPROVED BY	DATE	THIS DRAWING CONTAINS INFORMATION THAT IS PROPRIETARY TO MOLEX INCORPORATED AND SHOULD NOT BE USED WITHOUT WRITTEN PERMISSION			
			DRAFT WHERE APPLICABLE MUST REMAIN WITHIN DIMENSIONS	YAP	2005/07/22				
				MATERIAL NO.					
				SIZE	A3				

9 8 7 6 5 4 3 2 1



Компания «ЭлектроПласт» предлагает заключение долгосрочных отношений при поставках импортных электронных компонентов на взаимовыгодных условиях!

Наши преимущества:

- Оперативные поставки широкого спектра электронных компонентов отечественного и импортного производства напрямую от производителей и с крупнейших мировых складов;
- Поставка более 17-ти миллионов наименований электронных компонентов;
- Поставка сложных, дефицитных, либо снятых с производства позиций;
- Оперативные сроки поставки под заказ (от 5 рабочих дней);
- Экспресс доставка в любую точку России;
- Техническая поддержка проекта, помощь в подборе аналогов, поставка прототипов;
- Система менеджмента качества сертифицирована по Международному стандарту ISO 9001;
- Лицензия ФСБ на осуществление работ с использованием сведений, составляющих государственную тайну;
- Поставка специализированных компонентов (Xilinx, Altera, Analog Devices, Intersil, Interpoint, Microsemi, Aeroflex, Peregrine, Syfer, Eurofarad, Texas Instrument, Miteq, Cobham, E2V, MA-COM, Hittite, Mini-Circuits, General Dynamics и др.);

Помимо этого, одним из направлений компании «ЭлектроПласт» является направление «Источники питания». Мы предлагаем Вам помощь Конструкторского отдела:

- Подбор оптимального решения, техническое обоснование при выборе компонента;
- Подбор аналогов;
- Консультации по применению компонента;
- Поставка образцов и прототипов;
- Техническая поддержка проекта;
- Защита от снятия компонента с производства.



Как с нами связаться

Телефон: 8 (812) 309 58 32 (многоканальный)

Факс: 8 (812) 320-02-42

Электронная почта: org@eplast1.ru

Адрес: 198099, г. Санкт-Петербург, ул. Калинина, дом 2, корпус 4, литера А.