



MAX17112 Evaluation Kit

General Description

The MAX17112 evaluation kit (EV kit) provides a proven design to evaluate the MAX17112 high-performance step-up DC-DC converter, which provides a regulated supply voltage for active-matrix thin-film transistor (TFT) liquid-crystal displays (LCDs).

The EV kit operates from a DC supply voltage of 4.5V to 5.5V and is configured to operate with a switching frequency of 1MHz. The high switching frequency allows the use of small, surface-mount components. The step-up switching regulator is configured for a 15V output and provides 600mA with a 4.5V input.

Features

- ◆ 4.5V to 5.5V Input Range
- ◆ 15V Output Voltage
- ◆ 1MHz Switching Frequency
- ◆ Programmable Soft-Start
- ◆ Lead(Pb)-Free and RoHS Compliant
- ◆ Proven PCB Layout
- ◆ Fully Assembled and Tested

Ordering Information

PART	TYPE
MAX17112EVKIT+	EV Kit

+Denotes lead(Pb)-free and RoHS compliant.

Component List

DESIGNATION	QTY	DESCRIPTION
C1, C2	2	4.7 μ F \pm 10%, 10V X5R ceramic capacitors (0603) TDK C1608X5R1A475K
C3, C9, C10	3	1 μ F \pm 10%, 6.3V X5R ceramic capacitors (0603) Murata GRM188R60J105K
C4	1	0.033 μ F \pm 10%, 25V X7R ceramic capacitor (0603) Murata GRM188R71E333K
C5	1	560pF \pm 5%, 50V C0G ceramic capacitor (0603) Murata GRM1885C1H561J
C6	0	Not installed, capacitor
C7, C8	2	10 μ F \pm 10%, 25V X5R ceramic capacitors (1210) Murata GRM32DR61E106K

DESIGNATION	QTY	DESCRIPTION
D1	1	3A, 30V Schottky diode (M-Flat) Toshiba CMS03
JU1	1	3-pin header
L1	1	2.7 μ H \pm 20% power inductor (65m Ω , 3.9A) TOKO FDV0630-2R7 (27m Ω , 4.4A)
R1	1	0 Ω \pm 5% resistor (0603)
R2	1	47k Ω \pm 5% resistor (0603)
R3	1	20k Ω \pm 1% resistor (0603)
R4	1	221k Ω \pm 1% resistor (0603)
R5	1	10k Ω \pm 5% resistor (0603)
U1	1	High-performance step-up converter (10 TDFN-EP*) Maxim MAX17112ETB+
—	1	Shunt
—	1	PCB: MAX17112 Evaluation Kit+

*EP = Exposed pad.

Component Suppliers

SUPPLIER	PHONE	WEBSITE
Murata Electronics North America, Inc.	770-436-1300	www.murata-northamerica.com
TDK Corp.	847-803-6100	www.component.tdk.com
TOKO America, Inc.	847-297-0070	www.tokoam.com
Toshiba America Electronic Components, Inc.	949-623-2900	www.toshiba.com/taec

Note: Indicate that you are using the MAX17112 when contacting these component suppliers.



MAX17112 Evaluation Kit

Quick Start

Recommended Equipment

- MAX17112 EV kit
- 4.5V to 5.5V, 5A DC power supply (VIN)
- One voltmeter

Procedure

The MAX17112 EV kit is fully assembled and tested. Follow the steps below to verify board operation.

Caution: Do not turn on power supply or the electronic load until all connections are completed.

- 1) Verify that a shunt is placed across pins 1-2 of JU1.
- 2) Connect the positive terminal of the DC power supply to the VIN pad. Connect the negative terminal of the DC power supply to the GND pad.
- 3) Turn on the 4.5V to 5.5V DC power supply and verify that the step-up switching regulator output (VOUT) is 15V.

Detailed Description of Hardware

The MAX17112 evaluation kit (EV kit) provides a proven design to evaluate the MAX17112 high-performance step-up DC-DC converter, which provides a regulated supply voltage for active-matrix thin-film transistor (TFT) liquid-crystal displays (LCDs).

The EV kit operates from a 4.5V to 5.5V DC power supply. As configured, the step-up switching regulator generates a 15V output (VOUT) and provides 600mA with a 4.5V input. The step-up switching regulator output voltage can be adjusted from VIN to 20V by changing the values of the feedback resistors (see the *Evaluating Other Output Voltages* section).

The MAX17112 EV kit can operate from a 2.6V to 5.5V input supply. When input voltage is less than 4.5V, output current needs to be reduced from 600mA to avoid reaching inductor current limit. **Operation at a different input voltage, output voltage, or switching frequency may require a different inductor, output capacitor, and compensation components.** Refer to the MAX17112 IC data sheet for detailed information on loop compensation and component selection.

Shutdown Mode ($\overline{\text{SHDN}}$)

The EV kit features a shutdown mode that reduces the MAX17112 quiescent current. JU1 selects the shutdown mode. See Table 1 for jumper JU1 functions.

When the shunt of JU1 is placed in the 1-2 position, the $\overline{\text{SHDN}}$ pin is connected to the on-board capacitor (C10). The internal 5 μ A current source of the MAX17112 charges this capacitor. When the voltage on the $\overline{\text{SHDN}}$ pin rises above 1.24V, the MAX17112 is enabled.

To shut down the MAX17112, place the shunt of JU1 in the 2-3 position.

When JU1 is open, the $\overline{\text{SHDN}}$ pin is controlled by the external signal on the $\overline{\text{SHDN}}$ pad.

Evaluating Other Output Voltages

The MAX17112 EV kit's step-up switching-regulator output (VOUT) is set to 15V by feedback resistors R3 and R4. To generate output voltages other than 15V, select different external voltage-divider resistors, R3 and R4. Select R3 in the 10k Ω to 50k Ω range. R4 is then given by the following equation:

$$R4 = R3 \times [(VOUT/VFB) - 1]$$

where VFB = 1.24V. For significantly different operation points, the EV kit might require a different inductor and component changes. Refer to the MAX17112 IC data sheet for proper component selection.

Table 1. Jumper JU1 Functions.

JUMPER	SHUNT POSITION	DESCRIPTION
JU1	Open	Connects the external shutdown signal to the on-board $\overline{\text{SHDN}}$ pad
	1-2*	MAX17112 enabled (VOUT = 15V)
	2-3	Shutdown mode (VOUT = VIN - VDIODE)

*Default position.

MAX17112 Evaluation Kit

Evaluates: MAX17112

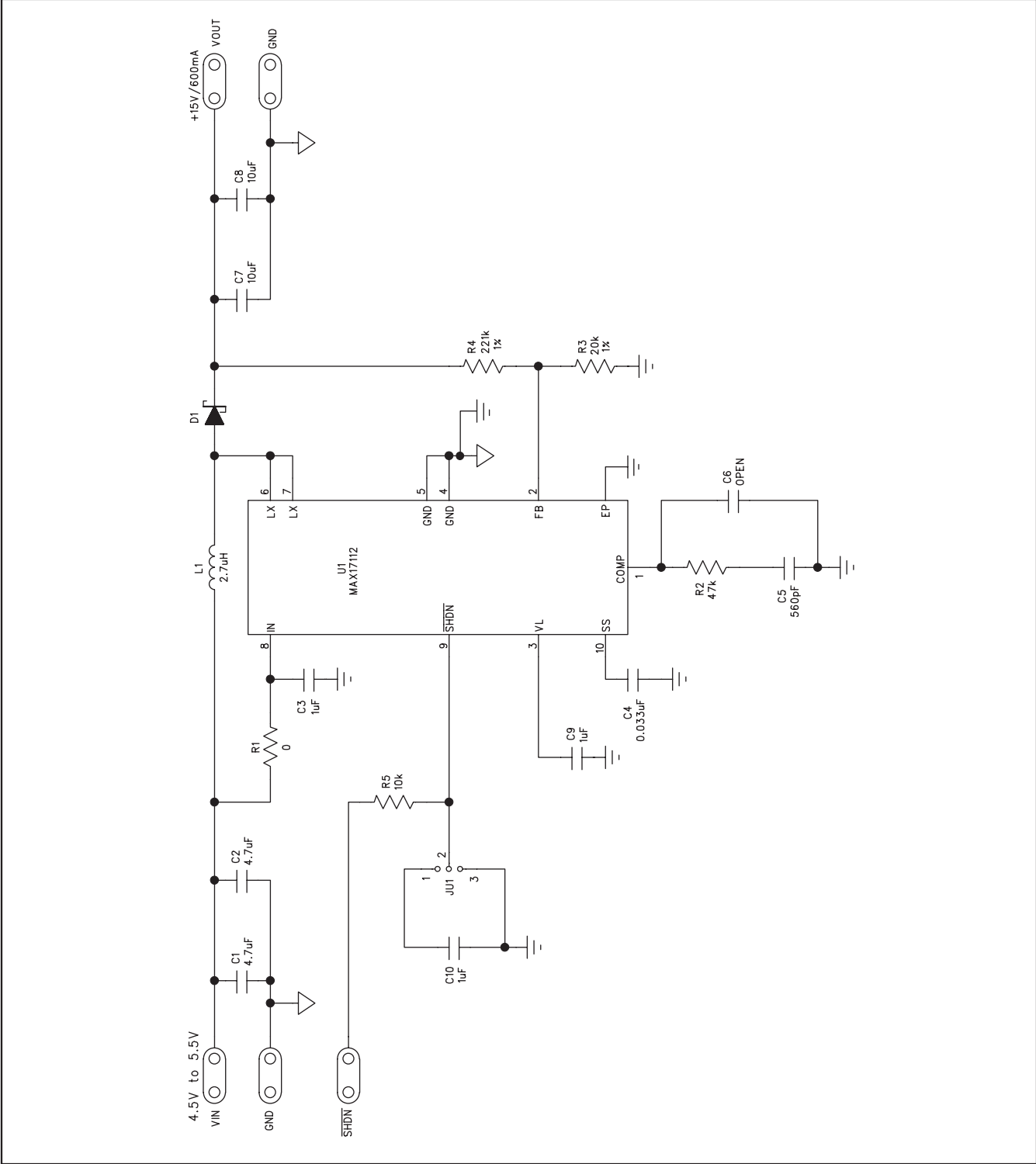


Figure 1. MAX17112 EV Kit Schematic

MAX17112 Evaluation Kit

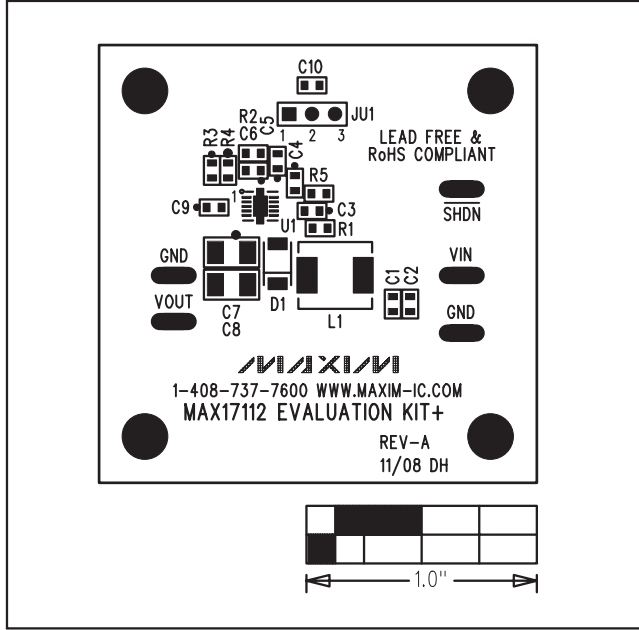


Figure 2. MAX17112 EV Kit Component Placement Guide—Component Side

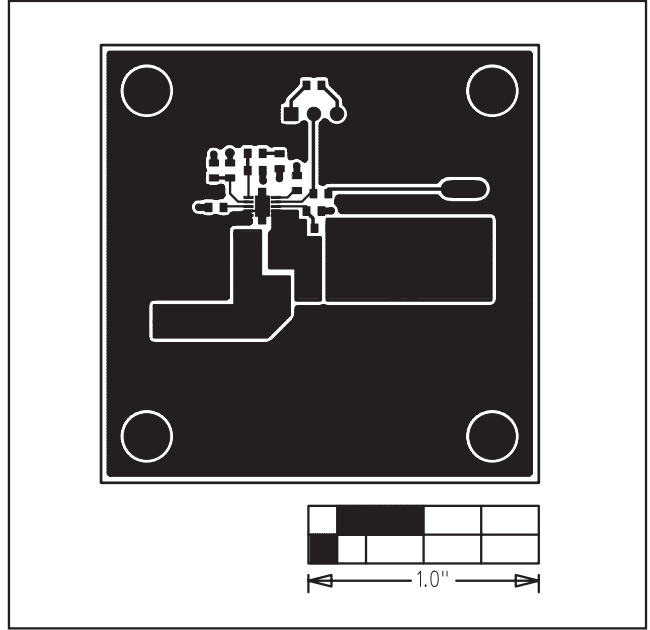


Figure 3. MAX17112 EV Kit PCB Layout—Component Side

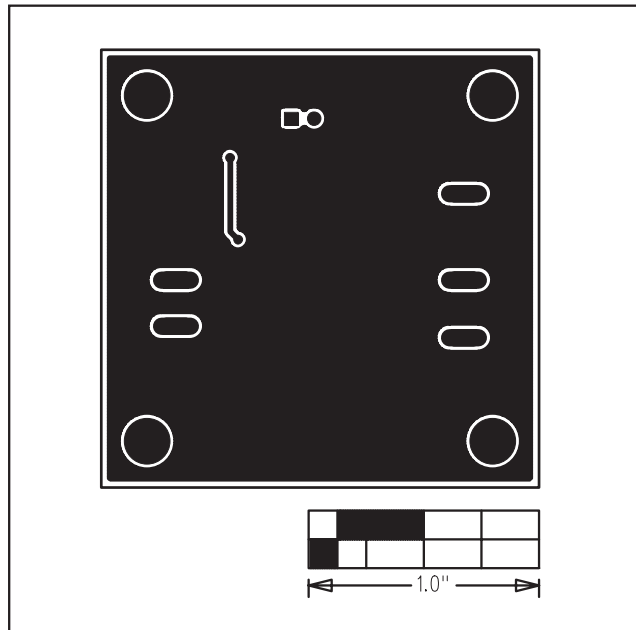


Figure 4. MAX17112 EV Kit PCB Layout—Solder Side

Maxim cannot assume responsibility for use of any circuitry other than circuitry entirely embodied in a Maxim product. No circuit patent licenses are implied. Maxim reserves the right to change the circuitry and specifications without notice at any time.

4 Maxim Integrated Products, 120 San Gabriel Drive, Sunnyvale, CA 94086 408-737-7600



Компания «ЭлектроПласт» предлагает заключение долгосрочных отношений при поставках импортных электронных компонентов на взаимовыгодных условиях!

Наши преимущества:

- Оперативные поставки широкого спектра электронных компонентов отечественного и импортного производства напрямую от производителей и с крупнейших мировых складов;
- Поставка более 17-ти миллионов наименований электронных компонентов;
- Поставка сложных, дефицитных, либо снятых с производства позиций;
- Оперативные сроки поставки под заказ (от 5 рабочих дней);
- Экспресс доставка в любую точку России;
- Техническая поддержка проекта, помощь в подборе аналогов, поставка прототипов;
- Система менеджмента качества сертифицирована по Международному стандарту ISO 9001;
- Лицензия ФСБ на осуществление работ с использованием сведений, составляющих государственную тайну;
- Поставка специализированных компонентов (Xilinx, Altera, Analog Devices, Intersil, Interpoint, Microsemi, Aeroflex, Peregrine, Syfer, Eurofarad, Texas Instrument, Miteq, Cobham, E2V, MA-COM, Hittite, Mini-Circuits, General Dynamics и др.);

Помимо этого, одним из направлений компании «ЭлектроПласт» является направление «Источники питания». Мы предлагаем Вам помощь Конструкторского отдела:

- Подбор оптимального решения, техническое обоснование при выборе компонента;
- Подбор аналогов;
- Консультации по применению компонента;
- Поставка образцов и прототипов;
- Техническая поддержка проекта;
- Защита от снятия компонента с производства.



Как с нами связаться

Телефон: 8 (812) 309 58 32 (многоканальный)

Факс: 8 (812) 320-02-42

Электронная почта: org@eplast1.ru

Адрес: 198099, г. Санкт-Петербург, ул. Калинина, дом 2, корпус 4, литера А.