

T H E R M O M E T R I C S
A C O M M I T M E N T T O E X C E L L E N C E

NTC Diode

Thermometrics

Thermistors



A range of NTC chip thermistors in DO-35 style glass package (diode outline) with axial solder-coated copper-clad steel wires.

- Designed for accurate temperature measurement, control and compensation
- Tight tolerances on resistance and B value
- Operation up to 482°F (250°C) with excellent stability
- Glass body provides hermetic seal and voltage insulation and excellent stability
- Designed for cost effective solid state sensor
- Lead-wires metallurgically bonded to thermistor element for improved reliability (Type GE only)
- Resistant to corrosive atmospheres and harsh environments
- Available on axial bandolier to IEC-286-1/ EIA-468A and packet taped to EIA RS-481 for MELF.
- Also available loose-packed with axial, radial and SMD wire forms
- Suitable for automotive, telecom (battery packs), HVAC and white goods applications
- Temperature sensing for household appliances such as rice cookers, electronic ranges, ovens, etc.
- Temperature sensing for industrial products such as pharmaceuticals, chemicals, food, etc. components.

Amphenol
Advanced Sensors

Type DK Specifications

Chip thermistor in DO-35 glass package

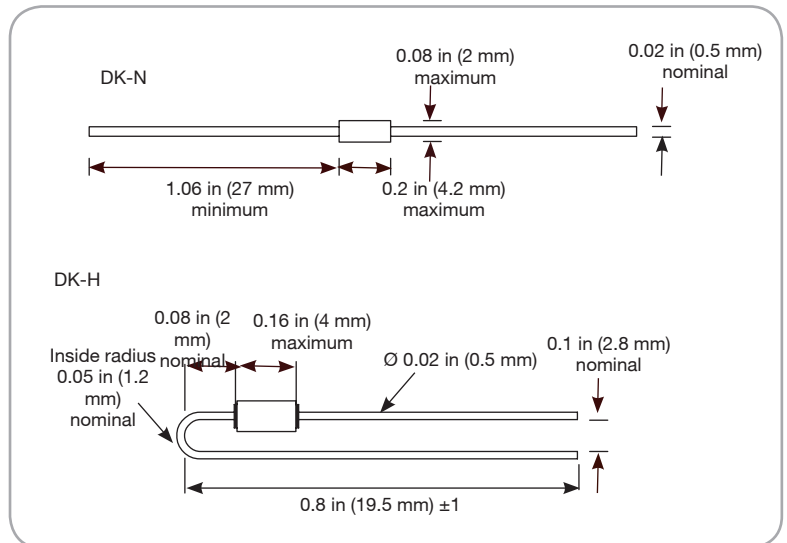
Options

- Other resistance values within the ranges shown; e.g. code DKA302*2 for 3000 Ω $\pm 2\%$ at 77°F (25°C)
- Reference temperatures in the range 0°F to 302°F (-18°C to 150°C)
- Operation to 572°F (300°C) (no solder coating on wires)
- Wire lengths 0.16 in to 1.26 in (4 mm to 32 mm) ± 0.04 in (± 1 mm) for DK-N; up to 1.02 in (26 mm) for DK-H

Coding

Replace * in the codes shown below as follows:

- Axial, loose-packed: N
- Axial, bandoliered: B
- Radial, loose-packed: H
- Surface mount, loose-packed: M



NTC Type DK wires should not be bent within 0.08 in (2 mm) of glass body

Data

- Operating temperature: -40°F to 482°F (-40°C to 250°C)
- Thermal time constant: 7 seconds (cooling in air)
- Dissipation factor: 3.0 mW/K
- Mass: 0.2 g
- Packing/MOQ: 1000/box (loose), 5000/reel (bandoliered)

| R25 Ω | Material system | B 25/85 K | Code R25 $\pm 2\%$ | Code R25 $\pm 3\%$ | Code R25 $\pm 5\%$ | Code R25 $\pm 10\%$ |
|--------------|-----------------|----------------|--------------------|--------------------|--------------------|---------------------|
| 2000 | 2 | 3540 $\pm 1\%$ | DKA202*2 | DKA202*3 | DKA202*5 | DKA202*10 |
| 5000 | 2 | 3540 $\pm 1\%$ | DKA502*2 | DKA502*3 | DKA502*5 | DKA502*10 |
| 10,000 | 2 | 3540 $\pm 1\%$ | DKA103*2 | DKA103*3 | DKA103*5 | DKA103*10 |
| 10,000 | 5A | 3730 $\pm 2\%$ | | DKC103*3 | DKC103*5 | DKC103*10 |
| 12,000 | 5A | 3730 $\pm 2\%$ | DKC123*2 | DKC123*3 | DKC123*5 | DKC123*10 |
| 10,000 | 3 | 3960 $\pm 1\%$ | DKF103*2 | DKF103*3 | DKF103*5 | DKF103*10 |
| 20,000 | 3 | 3960 $\pm 1\%$ | DKF203*2 | DKF203*3 | DKF203*5 | DKF203*10 |
| 30,000 | 3 | 3960 $\pm 1\%$ | DKF303*2 | DKF303*3 | DKF303*5 | DKF303*10 |
| 50,000 | 3 | 3960 $\pm 1\%$ | DKF503*2 | DKF503*3 | DKF503*5 | DKF503*10 |
| 100,000 | 3 | 3960 $\pm 1\%$ | DKF104*2 | DKF104*3 | DKF104*5 | DKF104*10 |
| 200,000 | G | 4263 $\pm 2\%$ | | | DKG204*5 | DKG204*10 |
| 500,000 | D | 4573 $\pm 2\%$ | | | DKD504*5 | DKD504*10 |
| 1,000,000 | D | 4573 $\pm 2\%$ | | | DKD105*5 | DKD105*10 |

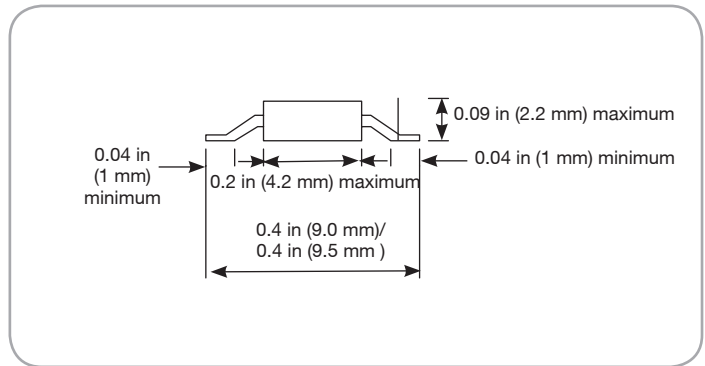
See separate tables for resistance-temperature data.
Consult factory for additional tolerance requirements.

Type DKM Specifications

Glass encapsulated SMD thermistor

Description

A range of thermistors in DO-35 style glass package (diode outline formed for surface lead-wires and applications) with solder-coated copper-clad steel lead-wires.



NTC Type DKM wires should not be bent within 0.08 in (2 mm) of glass body

Options

- Other resistance values within the ranges shown; e.g. code DKA302M2 for 3000 Ω $\pm 2\%$ at 77°F (25°C)
- Reference temperatures in the range 32°F to 302°F (0°C to 150°C)
- For tape and reel, add suffix “AB”
- Operation to 572°F (300°C); no solder coating on lead-wires

Data

- Operating temperature: -40°F to 482°F (-40°C to 250°C)
- Thermal time constant: 7 seconds (cooling in air)
- Dissipation factor: 3.0 mW/K
- Mass: 0.2 g
- Packing/MOQ: 1000/box (loose)

| R25 Ω | Material System | B 25/85 K | Code R25 $\pm 2\%$ | Code R25 $\pm 3\%$ | Code R25 $\pm 5\%$ | Code R25 $\pm 10\%$ |
|--------------|-----------------|----------------|--------------------|--------------------|--------------------|---------------------|
| 2000 | 2 | 3540 $\pm 1\%$ | DKA202M2 | DKA202M3 | DKA202M5 | DKA202M10 |
| 5000 | 2 | 3540 $\pm 1\%$ | DKA502M2 | DKA502M3 | DKA502M5 | DKA502M10 |
| 10,000 | 2 | 3540 $\pm 1\%$ | DKA103M2 | DKA103M3 | DKA103M5 | DKA103M10 |
| 10,000 | 5A | 3730 $\pm 2\%$ | | DKC103M3 | DKC103M5 | DKC103M10 |
| 10,000 | 3 | 3960 $\pm 1\%$ | DKF103M2 | DKF103M3 | DKF103M5 | DKF103M10 |
| 20,000 | 3 | 3960 $\pm 1\%$ | DKF203M2 | DKF203M3 | DKF203M5 | DKF203M10 |
| 30,000 | 3 | 3960 $\pm 1\%$ | DKF303M2 | DKF303M3 | DKF303M5 | DKF303M10 |
| 50,000 | 3 | 3960 $\pm 1\%$ | DKF503M2 | DKF503M3 | DKF503M5 | DKF503M10 |
| 100,000 | 3 | 3960 $\pm 1\%$ | DKF104M2 | DKF104M3 | DKF104M5 | DKF104M10 |
| 200,000 | G | 4263 $\pm 2\%$ | | | DKG204M5 | DKG204M10 |
| 500,000 | D | 4573 $\pm 2\%$ | | | DKD504M5 | DKD504M10 |
| 1,000,000 | D | 4573 $\pm 2\%$ | | | DKD105M5 | DKD105M10 |

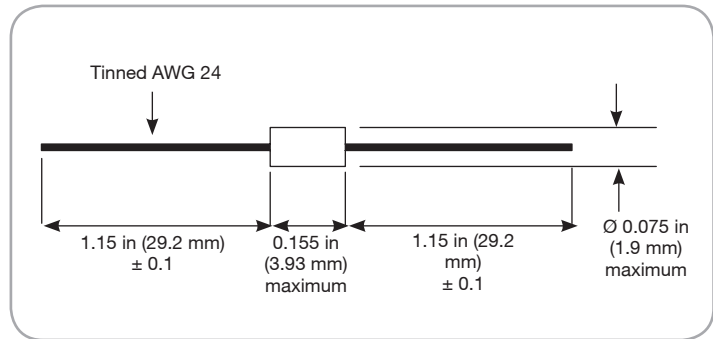
See separate tables for resistance-temperature data.
Consult factory for additional tolerance requirements.

Type GE Specifications

Glass encapsulated DO-35 package

Options

- For reel taping
- Nickel leads for welding
- Other resistances in the range 250 Ω to 5 MΩ
- Other tolerances, tolerances at other temperatures
- Alternative leads lengths, lead materials
- Can be expanded to 572°F (300°C) with nickel leads



NTC Type GE dimensions

Data

- Standard resistance tolerance: ±10% @ 77°F (25°C)
- Dissipation constant: 3.0 mW/K
- Time constant: 7 seconds
- Operating range: -58°F to 400°F (-50°C to 204°C)
- Lead Wires metallurgically bonded to thermistor element for improved reliability

| R ₀ @25°C (Ω) | Material System | Beta 25/85 | Type Number |
|--------------------------|-----------------|------------|-----------------------|
| 250 | GE5.5* | 2983 | AL03006-165.9-55-G1 |
| 500 | GE5.5* | 2983 | AL03006-331.8-55-G1 |
| 1K | GE7.3 | 3499 | AL03006-624-73-G1 |
| 2K | GE7.3 | 3499 | AL03006-1248-73-G1 |
| 2786 | GE10.1 | 4102 | AL03006-1576-101-G1 |
| 3K | GE7.6 | 3553 | AL03006-1847-76-G1 |
| 4K | GE7.6 | 3553 | AL03006-2463-76-G1 |
| 5K | GE7.6 | 3553 | AL03006-3079-76-G1 |
| 10K | GE9.7A | 3992 | AL03006-5818-97-G1 |
| 20K | GE9.8 | 3974 | AL03006-11.7K-98-G1 |
| 30K | GE9.8 | 3974 | AL03006-17.53K-98-G1 |
| 50K | GE9.7B | 3952 | AL03006-29.1K-97-G1 |
| 100K | GE9.7B | 3952 | AL03006-58.2K-97-G1 |
| 200K | GE12.3 | 4365 | AL03006-111.3K-123-G1 |
| 500K | GE13.8 | 4567 | AL03006-269.8K-138-G1 |
| 1M | GE14.5 | 4661 | AL03006-535K-145-G1 |
| 5M | GE16.4 | 4848 | AL03006-2.6M-164-G1 |

*maximum operating temperature 302°F (150°C)

Type MELF Specifications

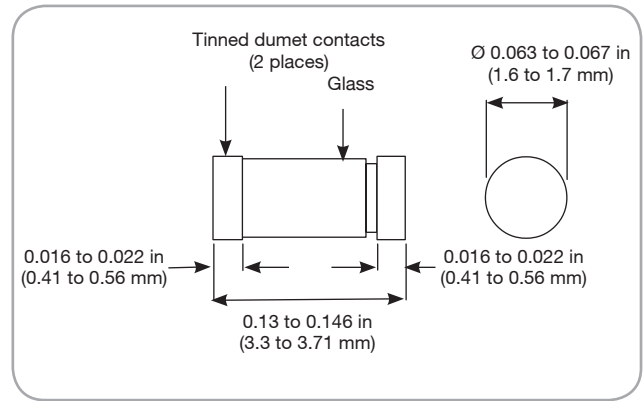
Glass encapsulated SMD thermistor

Description

Hermetically sealed, glass encapsulated thermistor in SOD-80 SMD package.

Options

- Pocket Taping
- Other resistances in the range 250 Ω to 5 M Ω available
- Other tolerances, tolerances at other temperatures



NTC Type MELF dimensions

Data

- Standard resistance tolerance: $\pm 10\%$ @ 77°F (25°C)
- Dissipation constant: 3.0 mW/°C
- Time constant: 7 seconds
- Operating range: -58°F to 400°F (-50°C to 204°C)

| R ₀ @25° C (Ω) | Material System | Beta 25/85 | Type Number |
|------------------------------------|-----------------|------------|-----------------------|
| 250 | GE5.5* | 2983 | 03006-165.9-55-G100 |
| 500 | GE5.5* | 2983 | 03006-331.8-55-G100 |
| 1K | GE7.3 | 3499 | 03006-624-73-G100 |
| 2K | GE7.3 | 3499 | 03006-1248-73-G100 |
| 2786 | GE10.1 | 4102 | 03006-1576-101-G100 |
| 3K | GE7.6 | 3553 | 03006-1847-76-G100 |
| 4K | GE7.6 | 3553 | 03006-2463-76-G100 |
| 5K | GE7.6 | 3553 | 03006-3079-76-G100 |
| 10K | GE9.7A | 3992 | 03006-5818-97-G100 |
| 20K | GE9.8 | 3974 | 03006-11.7K-98-G100 |
| 30K | GE9.8 | 3974 | 03006-17.53K-98-G100 |
| 50K | GE9.7B | 3952 | 03006-29.1K-97-G100 |
| 100K | GE9.7B | 3952 | 03006-58.2-97-G100 |
| 200K | GE12.3 | 4365 | 03006-111.3K-123-G100 |
| 500K | GE13.8 | 4567 | 03006-269.8K-138-G100 |
| 1M | GE14.5 | 4661 | 03006-535K-145-G100 |
| 5M | GE16.4 | 4848 | 03006-2.6M-164-G100 |

*maximum operating temperature 302°F (150°C)

Type TH Specifications

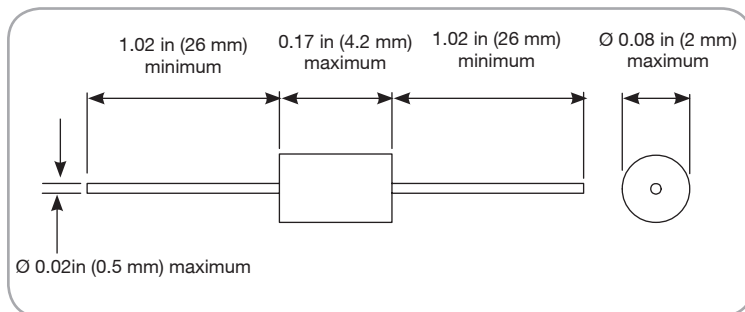
Glass encapsulated radial lead thermistor

| Part Number | Resistance (25 Ω) | β Constant (25/50) | Recommended Maximum Operating Current at 77°F (25°C) | Maximum Permissible Current at 77°F (25°C) |
|-------------|-------------------|--------------------|--|--|
| TH220J33G | 2.0 K | 3375 K | 0.22 mA | 30.0 mA |
| TH225J13G | 2.545 K | 3745 K | 0.22 mA | 30.0 mA |
| TH238J34G | 3.896 K | 3434 K | 0.20 mA | 26.5 mA |
| TH253J34G | 5.369 K | 3434 K | 0.16 mA | 24.0 mA |
| TH310J34G | 10.74 K | 3434 K | 0.13 mA | 20.0 mA |
| TH310J36G | 10.0 K | 3684 K | 0.14 mA | 20.0 mA |
| TH310J39G | 10.0 K | 3933 K | 0.14 mA | 20.0 mA |
| TH315J39G | 15.0 K | 3933 K | 0.12 mA | 17.0 mA |
| TH320J39G | 20.0 K | 3952 K | 0.10 mA | 15.0 mA |
| TH349J39G | 49.12 K | 3952 K | 0.06 mA | 10.0 mA |
| TH350J39G | 50.0 K | 3952 K | 0.06 mA | 10.0 mA |
| TH398J40G | 98.63 K | 4014 K | 0.045 mA | 5.0 mA |
| TH410J40G | 100.0 K | 4014 K | 0.045 mA | 5.0 mA |
| TH420J34G | 200.0 K | 3450 K | 0.015 mA | 3.5 mA |
| TH423J41G | 231.4 K | 4176 K | 0.015 mA | 3.5 mA |
| TH510J44G | 1,000 K | 4491 K | 0.007 mA | 1.5 mA |
| TH513J44G | 1,388 K | 4491 K | 0.005 mA | 1.0 mA |

- The tolerance of resistance is ±5% for standard device
- The tolerance of B constant is ±2% for standard device The constant is determined by the equation:

$$B = 3853.9 \ln (R_{25}/R_{50})$$
 R25 and R50 represent the thermistor resistance at 77°F and 122°F (25°C and 50°C) respectively
- Others: For non-standard devices, consult Thermometrics

| Dissipation Factor (in still air) | Time Constant (in still air) | Operating Temperature Range | Rated Power at 77°F (25°C) |
|-----------------------------------|------------------------------|------------------------------------|----------------------------|
| 2.0 (mW/°C) | 25 (seconds) | -40°F to 482°F (-40°C to 250°C) | 25 mW |



NTC Type TH dimensions

Explanation of Part Number

| | | | | | | | | |
|-----|-----|-----|-----|-----|-----|-----|---|-----|
| TH | 410 | S | 40 | F | D | SN | - | T5 |
| (1) | (2) | (3) | (4) | (5) | (6) | (7) | | (8) |

| 1 | 2 | 3 / 5 | 4 | 6 | 7 | 8 |
|--------------------------|--|--|--|---|--|--|
| Type | Resistance R(25°C) | Resistance / B Value Tolerance | B Value Range | Standard Temperature | Lead Wire Type | Packing & Other Description |
| Diode Type Thermistor | 225:25x10 ² = 2.5kΩ 310:10x10 ³ =10kΩ 410:10x10 ⁴ =100kΩ | F : ± 1% G : ± 2% H : ± 3% J : ± 5% K : ± 10% L : ± 15% M : ± 20% : : <u>S : others</u> S : ± 1.5% | 33:3300k ~3399k 40:4000k ~4099k 42:4200k ~4299k | J : -18°C A : 0°C B : 25°C C : 50°C D : 75°C E : 85°C F : 100°C G : 150°C H : 200°C : : S : others | NR : CP wire NI : Ni plated Sn : Sn plated : : : : S : others | T5 : Taping (52mm, Ammo) ----- R3 : Reel (52mm, 3KP) ----- C11 : 11mm (Wire cutting) ----- Other Special Shape or Dim |

Mouser Electronics

Authorized Distributor

Click to View Pricing, Inventory, Delivery & Lifecycle Information:

Amphenol:

[DKF104N10](#) [AL03006-535K-145-G1](#) [03006-29.1K-97-G100](#) [03006-1576-101-G100](#) [AL03006-3079-76-G1](#)
[DKF104M10](#) [DKF104H10](#) [DKF203N10](#) [03006-58.2K-97-G100](#) [DKA202B5](#) [DKA202B3](#) [DKA202N3](#) [DKA202N5](#)
[DKA103B10](#) [DKF103B10](#) [AL03006-165.9-55-G1](#) [DKF303B10](#) [DKF203H10](#) [DKF203M10](#) [DKF104H3](#) [DKF104B5](#)
[DKF104B3](#) [DKF104N3](#) [DKF104N5](#) [DKF104H5](#) [AL03006-1847-76-G1](#) [DKF104B10](#) [AL03006-1576-101-G1](#) [03006-](#)
[331.8-55-G100](#) [DKF503B10](#) [03006-165.9-55-G100](#) [03006-535K-145-G100](#) [DKA202M10](#) [AL03006-269.8K-138-G1](#)
[DKF103H10](#) [03006-11.7K-98-G100](#) [AL03006-17.53K-98-G1](#) [DKF303H10](#) [AL03006-624-73-G1](#) [AL03006-58.2K-97-](#)
[G1](#) [DKF203B3](#) [DKF203N5](#) [DKF203B5](#) [DKF203N3](#) [DKF203M5](#) [DKF203M3](#) [DKF203H3](#) [DKF203H5](#) [DKA103B5](#)
[DKA103B3](#) [DKF503H10](#) [DKA103N3](#) [DKA103N5](#) [DKA103H3](#) [DKA103H5](#) [DKA103M3](#) [DKA103M5](#) [DKF503M10](#)
[03006-1847-76-G100](#) [03006-111.3K-123-G100](#) [DKA202N10](#) [DKF103H1](#) [DKF503N10](#) [AL03006-1248-73-G1](#)
[DKA50H25](#) [DKA50N25](#) [AL03006-29.1K-97-G1](#) [DKA50B25](#) [AL03006-2463-76-G1](#) [03006-269.8K-138-G100](#)
[DKF303M10](#) [DKA202B10](#) [DKA502H3](#) [DKF503B3](#) [DKF503N3](#) [DKF503N5](#) [DKF503B5](#) [AL03006-331.8-55-G1](#)
[DKF503H3](#) [DKF503M5](#) [DKF503M3](#) [DKF503H5](#) [DKA202H10](#) [03006-5818-97-G102](#) [03006-1248-73-G100](#)
[DKF303N10](#) [DKA103H10](#) [DKF103M10](#) [AL03006-111.3K-123-G1](#) [DKA103M10](#) [DKF303N3](#) [DKF303N5](#) [DKA202M5](#)
[DKA202M3](#) [DKA202H3](#) [DKA202H5](#) [03006-3079-76-G100](#) [DKA103N10](#) [DKF104M5](#) [DKF104M3](#)



Компания «ЭлектроПласт» предлагает заключение долгосрочных отношений при поставках импортных электронных компонентов на взаимовыгодных условиях!

Наши преимущества:

- Оперативные поставки широкого спектра электронных компонентов отечественного и импортного производства напрямую от производителей и с крупнейших мировых складов;
- Поставка более 17-ти миллионов наименований электронных компонентов;
- Поставка сложных, дефицитных, либо снятых с производства позиций;
- Оперативные сроки поставки под заказ (от 5 рабочих дней);
- Экспресс доставка в любую точку России;
- Техническая поддержка проекта, помощь в подборе аналогов, поставка прототипов;
- Система менеджмента качества сертифицирована по Международному стандарту ISO 9001;
- Лицензия ФСБ на осуществление работ с использованием сведений, составляющих государственную тайну;
- Поставка специализированных компонентов (Xilinx, Altera, Analog Devices, Intersil, Interpoint, Microsemi, Aeroflex, Peregrine, Syfer, Eurofarad, Texas Instrument, Miteq, Cobham, E2V, MA-COM, Hittite, Mini-Circuits, General Dynamics и др.);

Помимо этого, одним из направлений компании «ЭлектроПласт» является направление «Источники питания». Мы предлагаем Вам помощь Конструкторского отдела:

- Подбор оптимального решения, техническое обоснование при выборе компонента;
- Подбор аналогов;
- Консультации по применению компонента;
- Поставка образцов и прототипов;
- Техническая поддержка проекта;
- Защита от снятия компонента с производства.



Как с нами связаться

Телефон: 8 (812) 309 58 32 (многоканальный)

Факс: 8 (812) 320-02-42

Электронная почта: org@eplast1.ru

Адрес: 198099, г. Санкт-Петербург, ул. Калинина, дом 2, корпус 4, литера А.