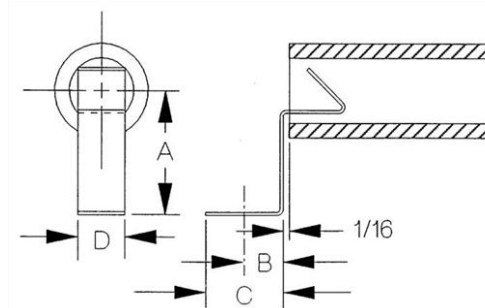




Hardware Kits and Specifications for RBEF, RBSF, RBEA, RBSA, RDEF, RDSF, RDEA, RDSA Resistors

- RBEF, RBSF datasheet: www.vishay.com/doc?31807
- RBEA, RBSA datasheet: www.vishay.com/doc?31809
- RDEF, RDSF datasheet: www.vishay.com/doc?31829
- RDEA, RDSA datasheet: www.vishay.com/doc?31830

PUSH-IN CLIP DIMENSIONS in inches (millimeters)



Clips can be ordered as an assembly with resistors by adding special character CP. Example: RBEF030025R00KFBCP

GLOBAL MODEL	HISTORICAL MODEL	COMPATIBLE WITH RESISTORS (GLOBAL MODEL OF RESISTOR)	A	B	C	D	HOLE
HDWB08012012000B00	3012-012	RBxx0040, RBxx0090, RDxx0015, RDxx0020, RDxx0025, RDxx0050, RDxx0075	0.625 (15.88)	0.3125 (7.94)	0.469 (11.91)	0.25 (6.35)	0.17 (4.32)
HDWB08012018000B00	3012-018	RBxx0050, RBxx0075, RBxx0100, RBxx0110, RBxx0120, RBxx0135, RBxx0160, RBxx0180, RDxx0030, RDxx0045, RDxx0051, RDxx0061, RDxx0065, RDxx0076, RDxx0090, RDxx0100	0.938 (23.81)	0.344 (8.73)	0.625 (15.88)	0.375 (9.53)	0.196 x 0.359 (4.98 x 9.12)
HDWB08012022000B00	3012-022	RBxx0150, RBxx0175, RBxx0220, RBxx0225, RBxx0240, RBxx0300, RBxx0375, RBxx0420, RDxx0080, RDxx0095, RDxx0120, RDxx0130, RDxx0160, RDxx0175, RDxx0225, RDxx0235, RDxx0240	1.375 (34.93)	0.406 (10.32)	0.688 (17.46)	0.50 (12.7)	0.201 x 0.25 (5.11 x 6.35)

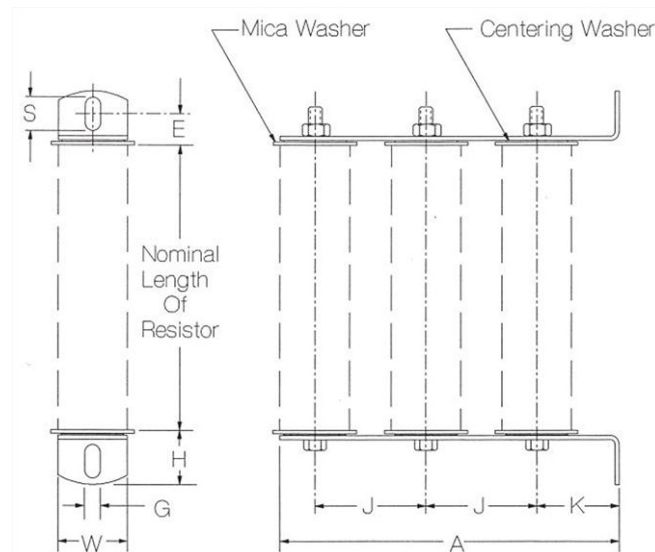
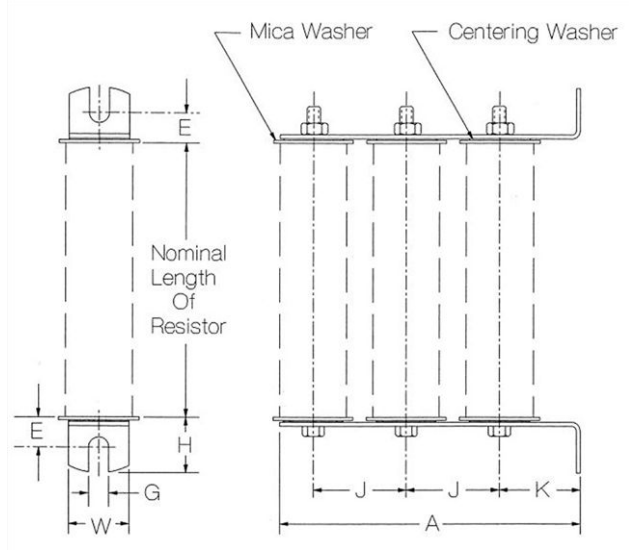
Note

- Global model part number represents an individual clip.

MATERIAL SPECIFICATIONS

Clip	Cold rolled steel
Finish	Zinc (hex free, trivalent clear)

MOUNTING BRACKET DIMENSIONS in inches (millimeters)

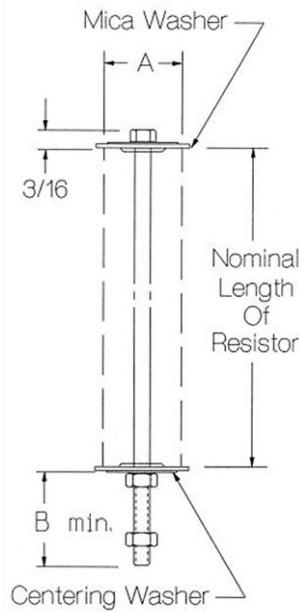
Closed Slot Bracket Type

End-Slot End-Slot Bracket Type ⁽¹⁾


Mounting brackets are ordered as a resistor assembly by adding bracket type to part number. Example: RBEF030025R00KFB2A
 Additional sizes and special mounting configurations available upon request.

RESISTOR CORE DIAMETER	COMPATIBLE WITH RESISTORS (GLOBAL MODEL OF RESISTOR)	BRACKET TYPE	W	H	A	K	G	J	E	S
0.3125 (7.9375), 0.4375 (11.1125), 0.5625 (14.2875)	RBxx0040, RBxx0090, RDxx0015, RDxx0008, RDxx0012, RDxx0020, RDxx0025, RDxx0050, RDxx0075	1A	0.5 (12.7)	0.8125 (20.6375)	1.375 (34.925)	1 (25.4)	0.21875 (5.55625)	n/a	0.5 (12.7)	0.4375 (11.1125)
		2A	0.5 (12.7)	0.8125 (20.6375)	2.375 (60.325)	1 (25.4)	0.21875 (5.55625)	1 (25.4)	0.5 (12.7)	0.4375 (11.1125)
0.75 (19.05)	RBxx0050, RBxx0075, RBxx0100, RBxx0110, RBxx0120, RBxx0135, RBxx0160, RBxx0180, RDxx0030, RDxx0045, RDxx0051, RDxx0061, RDxx0065, RDxx0076, RDxx0090, RDxx0100	1A	0.75 (19.05)	0.8125 (20.6375)	1.625 (41.275)	1.25 (31.75)	0.21875 (5.55625)	n/a	0.5 (12.7)	0.4375 (11.1125)
		2A	0.75 (19.05)	0.8125 (20.6375)	3.25 (82.55)	1.25 (31.75)	0.21875 (5.55625)	1.625 (41.275)	0.5 (12.7)	0.4375 (11.1125)
		3A	0.75 (19.05)	0.8125 (20.6375)	4.875 (123.825)	1.25 (31.75)	0.21875 (5.55625)	1.625 (41.275)	0.5 (12.7)	0.4375 (11.1125)
		4A	0.75 (19.05)	0.8125 (20.6375)	6.5 (165.1)	1.25 (31.75)	0.21875 (5.55625)	1.625 (41.275)	0.5 (12.7)	0.4375 (11.1125)
1.125 (28.575)	RBxx0150, RBxx0175, RBxx0220, RBxx0225, RBxx0240, RBxx0300, RBxx0375, RBxx0420, RDxx0080, RDxx0095, RDxx0120, RDxx0130, RDxx0160, RDxx0175, RDxx0225, RDxx0235, RDxx0240	1A	1.25 (31.75)	0.9375 (23.8125)	2.0625 (52.3875)	1.5 (38.1)	0.28125 (7.14375)	n/a	0.5 (12.7)	0.5625 (14.2875)
		2A	1.25 (31.75)	0.9375 (23.8125)	4.0625 (103.1875)	1.5 (38.1)	0.28125 (7.14375)	2 (50.8)	0.5 (12.7)	0.5625 (14.2875)
		3A	1.25 (31.75)	0.9375 (23.8125)	6.0625 (153.9875)	1.5 (38.1)	0.28125 (7.14375)	2 (50.8)	0.5 (12.7)	0.5625 (14.2875)
		4A	1.25 (31.75)	0.9375 (23.8125)	8.0625 (204.7875)	1.5 (38.1)	0.28125 (7.14375)	2 (50.8)	0.5 (12.7)	0.5625 (14.2875)
1.625 (28.575)	RBxx0400, RBxx0500, RBxx0550, RDxx0220, RDxx0275, RDxx0300	1A	1.25 (31.75)	1 (25.4)	2.0625 (52.3875)	1.5 (38.1)	0.28125 (7.14375)	n/a	0.5 (12.7)	0.5625 (14.2875)
		2A	1.25 (31.75)	1 (25.4)	5.375 (136.525)	1.5 (38.1)	0.28125 (7.14375)	3 (76.2)	0.5 (12.7)	0.5625 (14.2875)
2.5 (63.5), 3.25 (82.55)	RBxx0750, RBxx1000, RBxx1500, RBxx2000, RDxx0750, RDxx1000, RDxx1150	1A ⁽¹⁾	2.5 (63.5)	1.5 (38.1)	4.25 (107.95)	3 (76.2)	0.40625 (10.31875)	n/a	0.875 (22.225)	
		2A ⁽¹⁾	2.5 (63.5)	1.5 (38.1)	9 (228.6)	3 (76.2)	⁽²⁾	4.25 (107.95)	0.75 (19.05)	

Note

⁽¹⁾ End-Slot End-Slot style bracket type only available for these sizes.

VERTICAL THRU-BOLT DIMENSIONS in inches (millimeters)


Vertical thru-bolts can be ordered as an assembly with resistors by adding special character VT. Example: RBEF030025R00KFBVT
 Additional sizes and special mounting configurations available upon request.

GLOBAL MODEL (KIT PACK)	HISTORICAL MODEL (KIT PACK)	COMPATIBLE WITH RESISTORS (GLOBAL MODEL OF RESISTOR)	A	B	THREAD
HDWK09310501600B00	31-05-016-00STD	RDxx0008	0.5 (12.7)	0.375 (9.525)	8-32 x 1.75
HDWK09310502800B00	31-05-028-00STD	RDxx0012	0.5 (12.7)	0.375 (9.525)	8-32 x 2.5
HDWK09310703200B00	31-07-032-00STD	RDxx0020	0.75 (19.05)	0.625 (15.875)	8-32 x 2.75
HDWK09310903200B00	31-09-032-00STD	RDxx0025, RBxx0040	0.75 (19.05)	0.625 (15.875)	10-32 x 2.75
HDWK09310906400B00	31-09-064-00STD	RBxx0090, RDxx0050	0.75 (19.05)	0.4375 (11.1125)	10-32 x 4.5
HDWK09311810400B00	31-18-104-00STD	RBxx0180, RDxx0100	1 (25.4)	0.625 (15.875)	10-32 x 7.25
HDWK09311813600B00 ⁽¹⁾	31-18-136-00STD	RDxx0175, RBxx0300	1.5 (38.1)	0.5 (12.7)	1/4-20 x 9.25
HDWK09311816800B00 ⁽¹⁾	31-18-168-00STD	RBxx0375, RDxx0225	1.5 (38.1)	0.5 (12.7)	1/4-20 x 11.25
HDWK09312616800B00 ⁽¹⁾	31-26-168-00STD	RDxx0275, RBxx0500	2.25 (57.15)	0.6875 (17.4625)	1/4-20 x 11.25
HDWK09314024000B00 ⁽¹⁾	31-40-240-00STD	RBxx1000, RDxx0750	3 (76.2)	1 (25.4)	1/4-20 x 16.5
HDWK09315232000B00 ⁽¹⁾	31-52-320-00STD	RDxx1150, RBxx2000	Special: Contact Vishay Milwaukee marketing		

Note

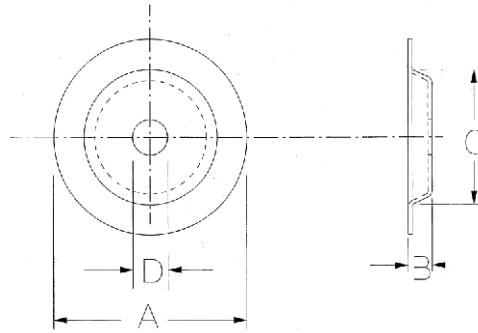
⁽¹⁾ Not recommended for high shock or high vibration applications.

MATERIAL SPECIFICATIONS

Centering washer, nut, threaded bolt	Cold rolled steel
Mica washer	Mica
Finish: Centering washer, nut, threaded bolt	Zinc (hex free, trivalent clear)



CENTERING WASHER DIMENSIONS in inches (millimeters)



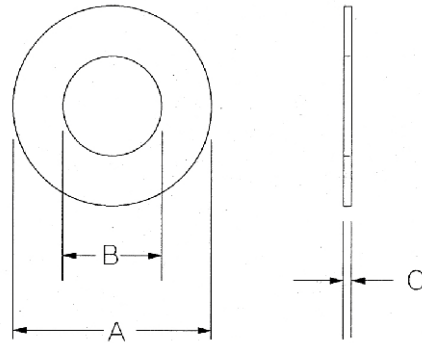
GLOBAL MODEL	HISTORICAL MODEL	COMPATIBLE WITH RESISTORS (GLOBAL MODEL OF RESISTOR)	A	B	C	D
HDWB05011117004B00	3011-117-004	RDxx0008, RDxx0012	0.44 (11.176)	0.05 (1.27)	n/a	0.188 (4.7752)
HDWB05012700011B00	3012-700-011	RBxx0040, RBxx0090, RDxx0015, RDxx0020, RDxx0025, RDxx0050, RDxx0075	0.56 (14.224)	0.10 (2.54)	0.30 (7.62)	0.200 (5.08)
HDWB05012700004B00	3012-700-004	RBxx0050, RBxx0075, RBxx0100, RBxx0110, RBxx0120, RBxx0135, RBxx0160, RBxx0180, RDxx0030, RDxx0045, RDxx0051, RDxx0061, RDxx0065, RDxx0076, RDxx0090, RDxx0100	0.80 (20.32)	0.13 (3.302)	0.45 (11.43)	0.225 (5.715)
HDWB05012700007B00	3012-700-007	RBxx0150, RBxx0175, RBxx0220, RBxx0225, RBxx0240, RBxx0300, RBxx0375, RBxx0420, RDxx0080, RDxx0095, RDxx0120, RDxx0130, RDxx0160, RDxx0175, RDxx0225, RDxx0235, RDxx0240	1.10 (27.94)	0.16 (4.064)	0.73 (18.542)	0.281 (7.1374)
HDWB05012700008B00	3012-700-008	RBxx0400, RBxx0500, RBxx0550, RDxx0220, RDxx0275, RDxx0300	1.63 (41.402)	0.20 (5.08)	1.11 (28.194)	0.281 (7.1374)
HDWB05012700009B00	3012-700-009	RBxx0750, RBxx1000, RBxx1500, RBxx2000, RDxx0750, RDxx1000, RDxx1150	2.50 (63.5)	0.23 (5.842)	1.72 (43.688)	0.281 (7.1374)

MATERIAL SPECIFICATIONS

Washer	Cold rolled steel
Finish	Zinc (hex free, trivalent clear)



MICA WASHER DIMENSIONS in inches (millimeters)



GLOBAL MODEL	HISTORICAL MODEL	COMPATIBLE WITH RESISTORS (GLOBAL MODEL OF RESISTOR)	A	B	C
HDWB04012800001B00	3012-800-001	RDxx0008, RDxx0012	0.5 (12.7)	0.1875 (4.7625)	0.02 (0.508)
HDWB04012800002B00	3012-800-002	RBxx0040, RBxx0090, RDxx0015, RDxx0020, RDxx0025, RDxx0050, RDxx0075	0.75 (19.05)	0.3125 (7.9375)	0.02 (0.508)
HDWB04012800003B00	3012-800-003	RBxx0050, RBxx0075, RBxx0100, RBxx0110, RBxx0120, RBxx0135, RBxx0160, RBxx0180, RDxx0030, RDxx0045, RDxx0051, RDxx0061, RDxx0065, RDxx0076, RDxx0090, RDxx0100	1 (25.4)	0.5 (12.7)	0.03 (0.762)
HDWB04012800006B00	3012-800-006	RBxx0150, RBxx0175, RBxx0220, RBxx0225, RBxx0240, RBxx0300, RBxx0375, RBxx0420, RDxx0080, RDxx0095, RDxx0120, RDxx0130, RDxx0160, RDxx0175, RDxx0225, RDxx0235, RDxx0240	1.5 (38.1)	0.75 (19.05)	0.03 (0.762)
HDWB04012800008B00	3012-800-008	RBxx0400, RBxx0500, RBxx0550, RDxx0220, RDxx0275, RDxx0300	2.25 (57.15)	1.125 (28.575)	0.06 (1.524)
HDWB04012800010B00	3012-800-010	RBxx0750, RBxx1000, RBxx1500, RBxx2000, RDxx0750, RDxx1000, RDxx1150	3 (76.2)	1.75 (44.45)	0.06 (1.524)

MATERIAL SPECIFICATIONS

Washer	Mica
--------	------



Компания «ЭлектроПласт» предлагает заключение долгосрочных отношений при поставках импортных электронных компонентов на взаимовыгодных условиях!

Наши преимущества:

- Оперативные поставки широкого спектра электронных компонентов отечественного и импортного производства напрямую от производителей и с крупнейших мировых складов;
- Поставка более 17-ти миллионов наименований электронных компонентов;
- Поставка сложных, дефицитных, либо снятых с производства позиций;
- Оперативные сроки поставки под заказ (от 5 рабочих дней);
- Экспресс доставка в любую точку России;
- Техническая поддержка проекта, помощь в подборе аналогов, поставка прототипов;
- Система менеджмента качества сертифицирована по Международному стандарту ISO 9001;
- Лицензия ФСБ на осуществление работ с использованием сведений, составляющих государственную тайну;
- Поставка специализированных компонентов (Xilinx, Altera, Analog Devices, Intersil, Interpoint, Microsemi, Aeroflex, Peregrine, Syfer, Eurofarad, Texas Instrument, Miteq, Cobham, E2V, MA-COM, Hittite, Mini-Circuits, General Dynamics и др.);

Помимо этого, одним из направлений компании «ЭлектроПласт» является направление «Источники питания». Мы предлагаем Вам помощь Конструкторского отдела:

- Подбор оптимального решения, техническое обоснование при выборе компонента;
- Подбор аналогов;
- Консультации по применению компонента;
- Поставка образцов и прототипов;
- Техническая поддержка проекта;
- Защита от снятия компонента с производства.



Как с нами связаться

Телефон: 8 (812) 309 58 32 (многоканальный)

Факс: 8 (812) 320-02-42

Электронная почта: org@eplast1.ru

Адрес: 198099, г. Санкт-Петербург, ул. Калинина, дом 2, корпус 4, литера А.