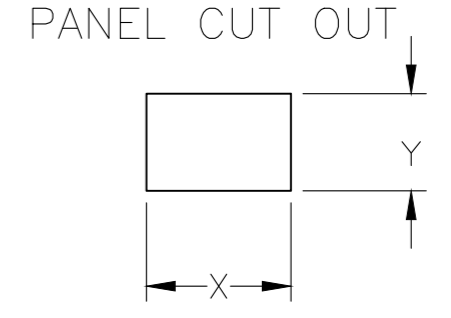
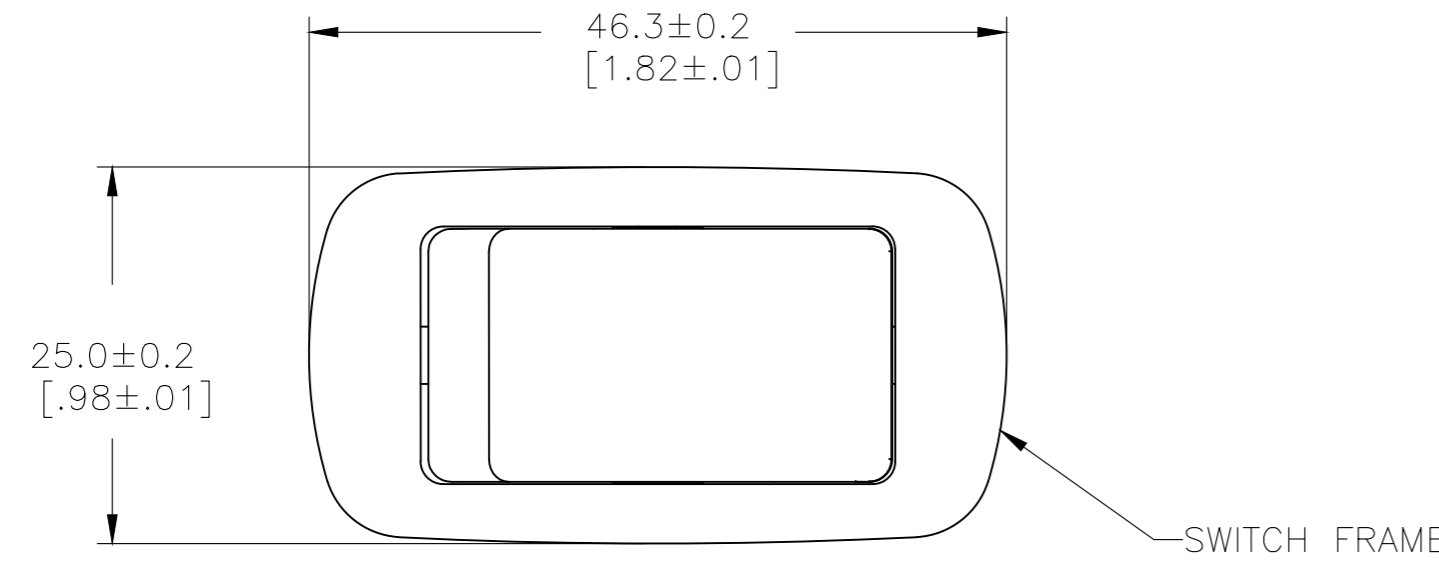
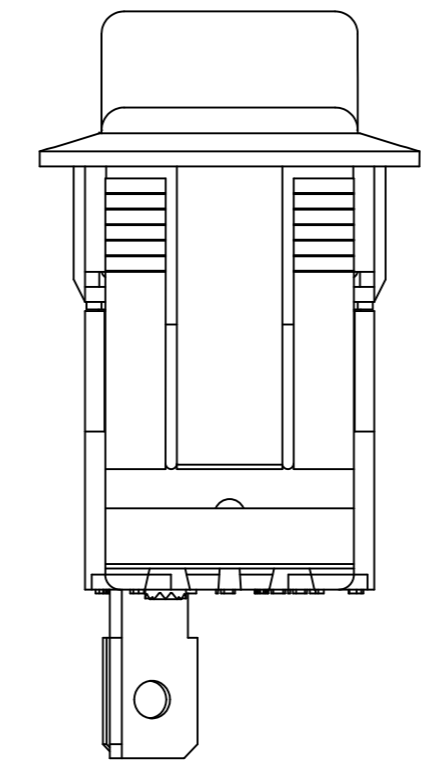
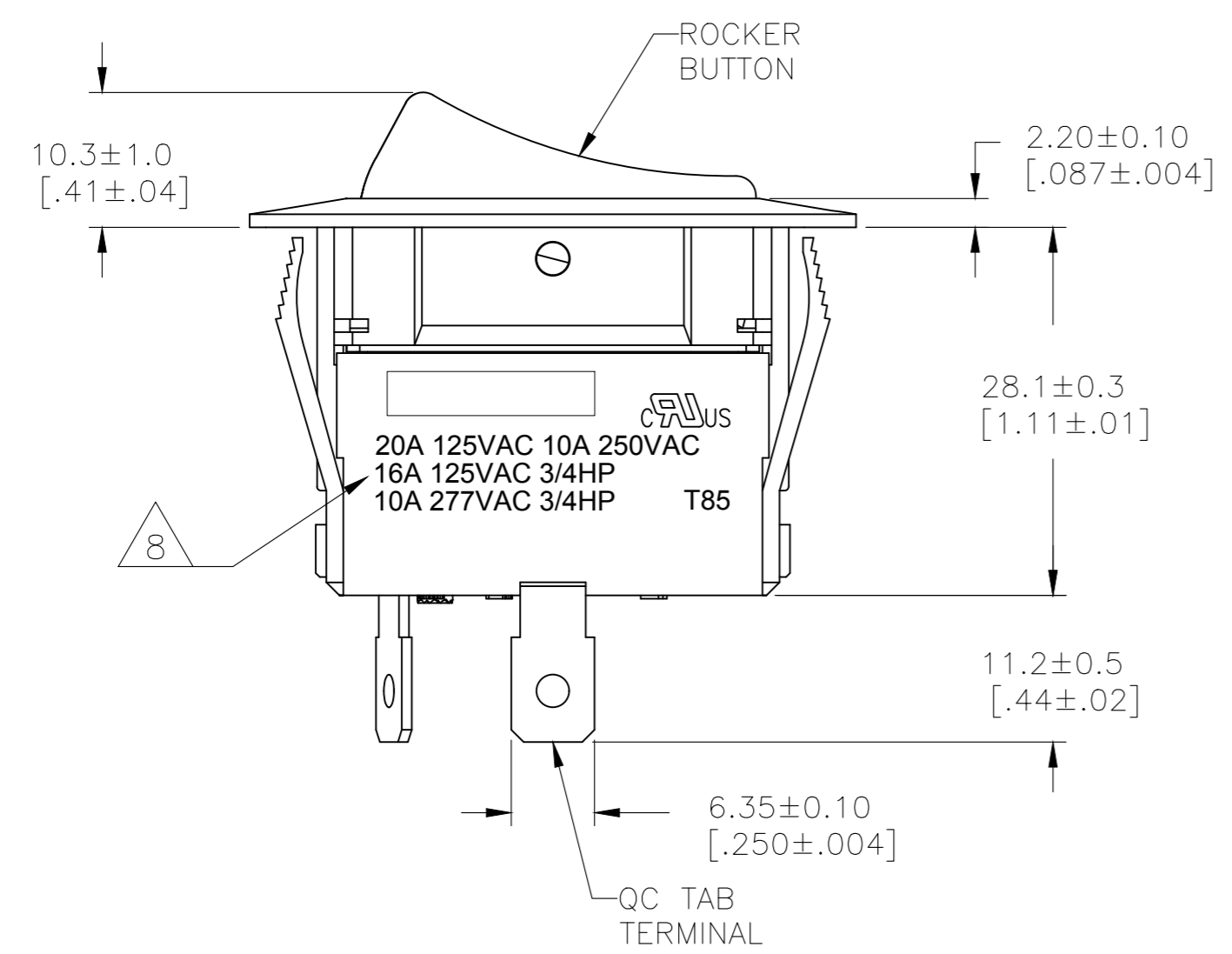


THIS DRAWING IS UNPUBLISHED. RELEASED FOR PUBLICATION  
 © COPYRIGHT - By - ALL RIGHTS RESERVED.

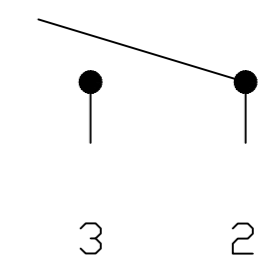
REVISIONS					
P	LTR	DESCRIPTION	DATE	DWN	APVD
	D	REVISED PER ECO-14-016691	05NOV2014	NK	RH
	D1	REVISED PER ECO-16-017354	09MAR2017	RK	AS



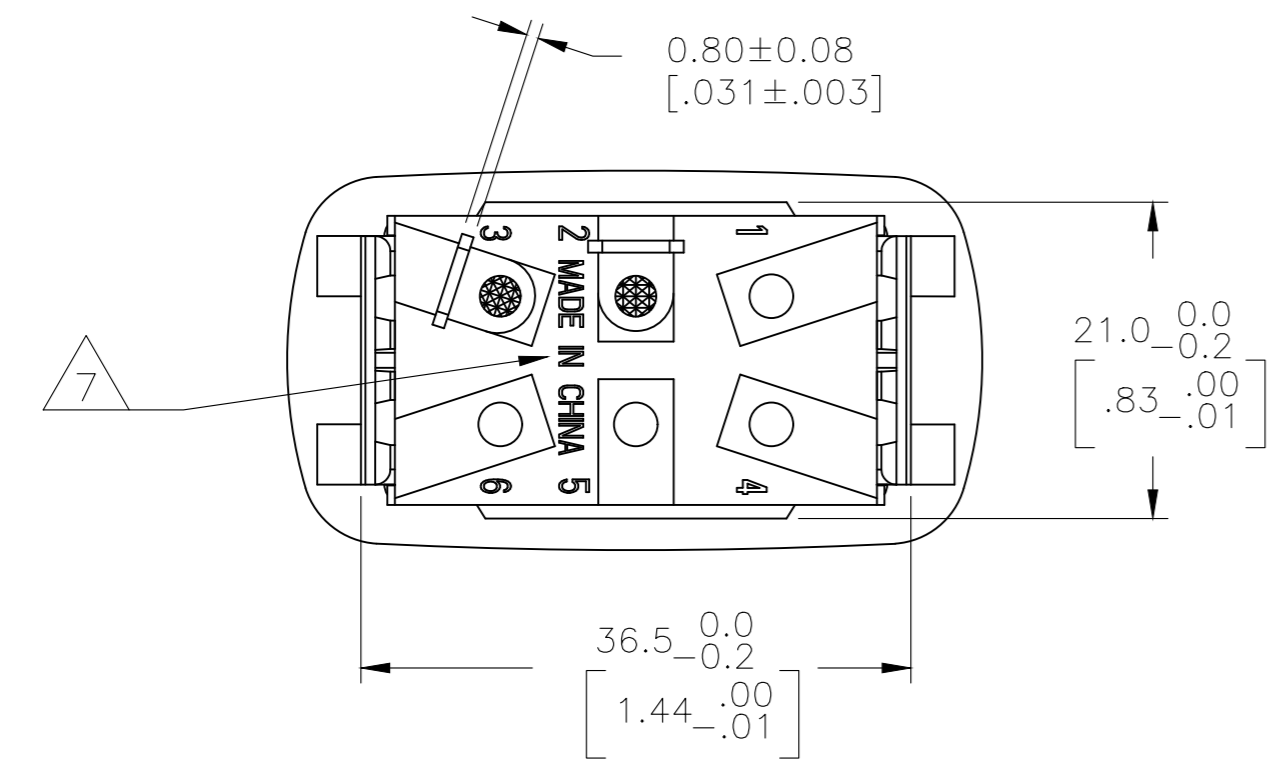
2.00-3.00 [.079-.118]	21.2+0.1 [.835+.004]	37.0+0.2 [1.457+.008]
1.25-2.00 [.049-.079]	21.2+0.1 [.835+.004]	36.8+0.2 [1.449+.008]
.075-1.25 [.030-.049]	21.2+0.1 [.835+.004]	36.6+0.2 [1.441+.008]
PANEL THICKNESS	Y	X



SWITCH FUNCTION A1  
CIRCUIT DIAGRAM



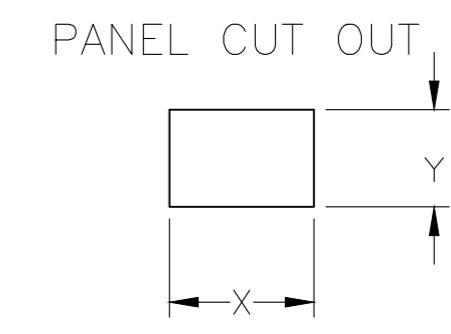
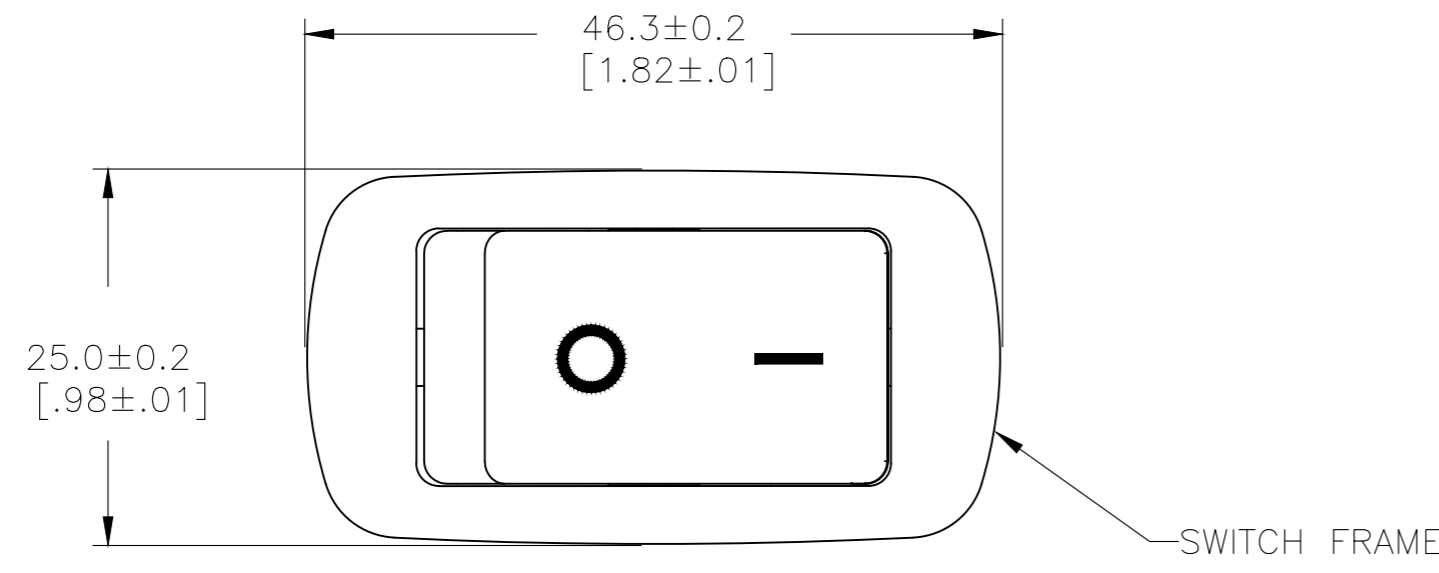
1571095-1  
SHOWN



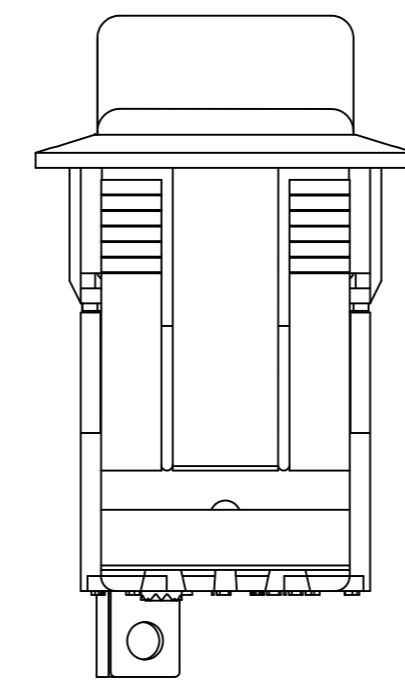
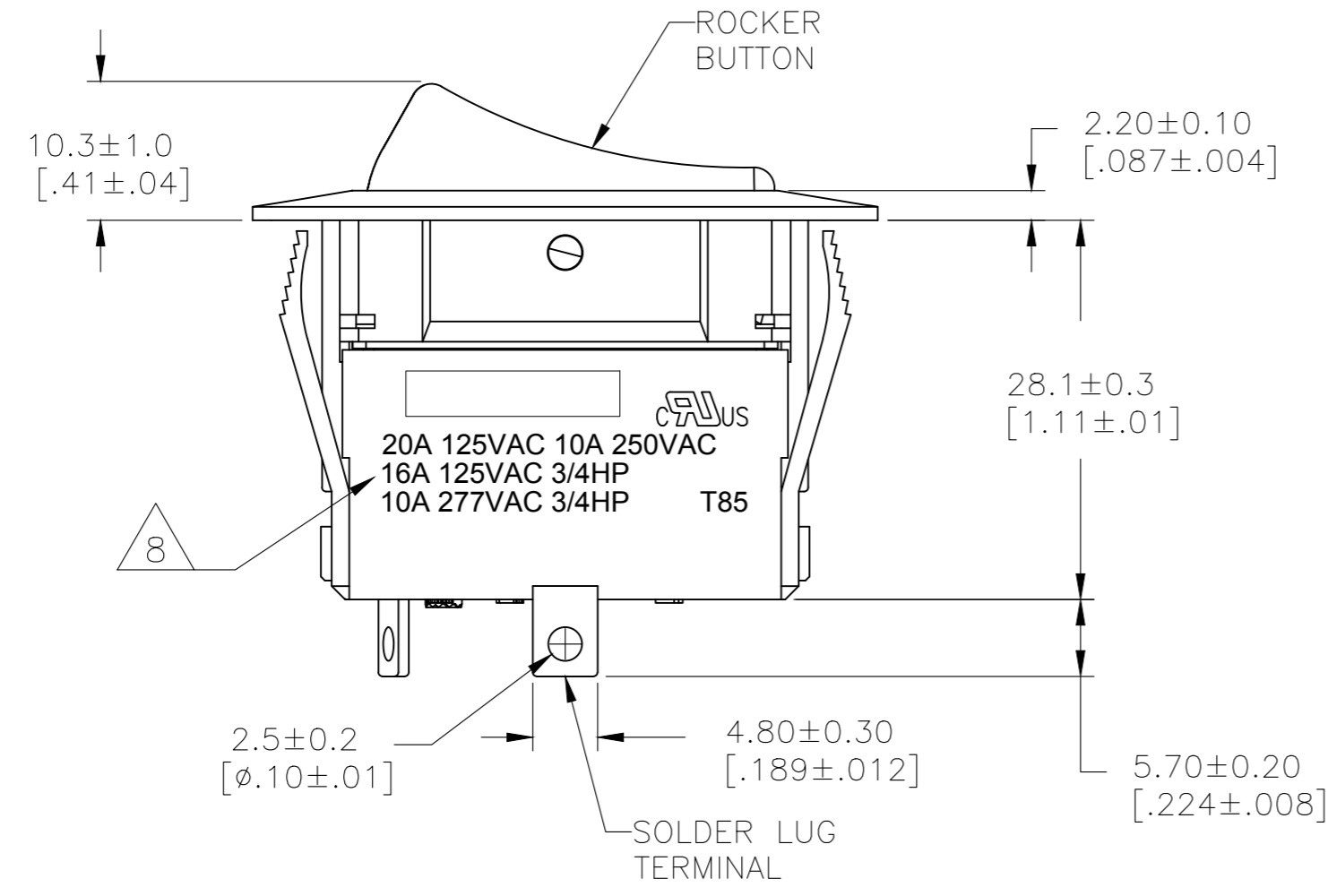
THIS DRAWING IS A CONTROLLED DOCUMENT.		DWN M.BINNER 25FEB2002	TE Connectivity	
DIMENSIONS: mm [INCHES]		CHK D.ROHDE 16NOV05		
TOLERANCES UNLESS OTHERWISE SPECIFIED:		APVD D.ROHDE 16NOV05	NAME POWER ROCKER SWITCH, 21.2mm X 36.6mm MIN PANEL SIZE SPST, NON-ILLUMINATED	
0 PLC ± - 1 PLC ± - 2 PLC ± - 3 PLC ± - 4 PLC ± - ANGLES ± -		PRODUCT SPEC -	SIZE A2	
MATERIAL 1		APPLICATION SPEC -	CAGE CODE 00779	DRAWING NO. C-1571095
FINISH 2		WEIGHT	RESTRICTED TO -	SCALE 2:1
CUSTOMER DRAWING			SHEET 1 of 4	REV D1

THIS DRAWING IS UNPUBLISHED. RELEASED FOR PUBLICATION  
 © COPYRIGHT - By - ALL RIGHTS RESERVED.

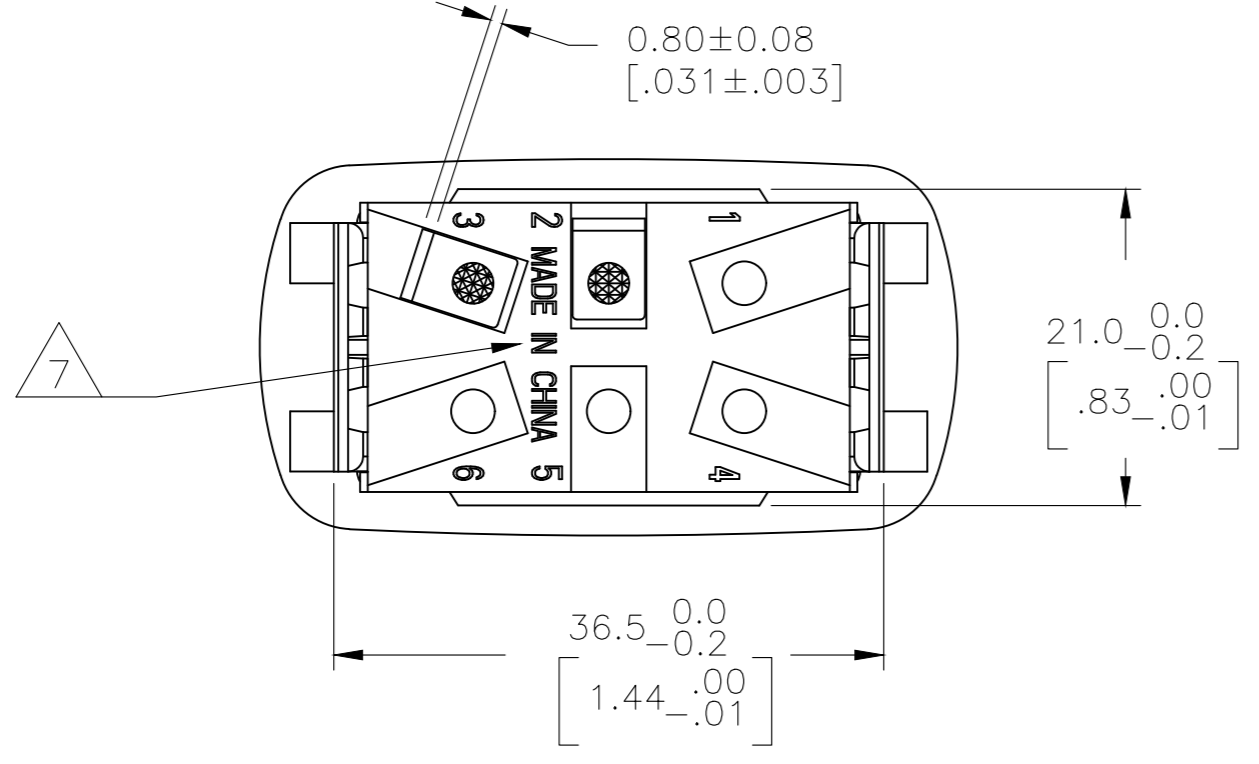
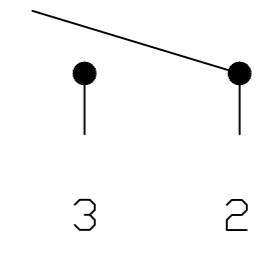
REVISIONS				
P	LTR	DESCRIPTION	DATE	APVD
-	-	SEE SHEET 1	-	-



2.00-3.00 [.079-.118]	21.2+0.1 [.835+.004]	37.0+0.2 [1.457+.008]
1.25-2.00 [.049-.079]	21.2+0.1 [.835+.004]	36.8+0.2 [1.449+.008]
.075-1.25 [.030-.049]	21.2+0.1 [.835+.004]	36.6+0.2 [1.441+.008]
PANEL THICKNESS	Y	X



SWITCH FUNCTION A1  
CIRCUIT DIAGRAM

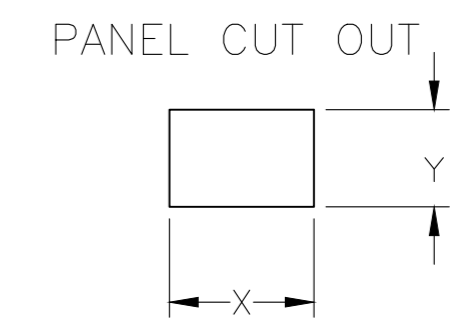
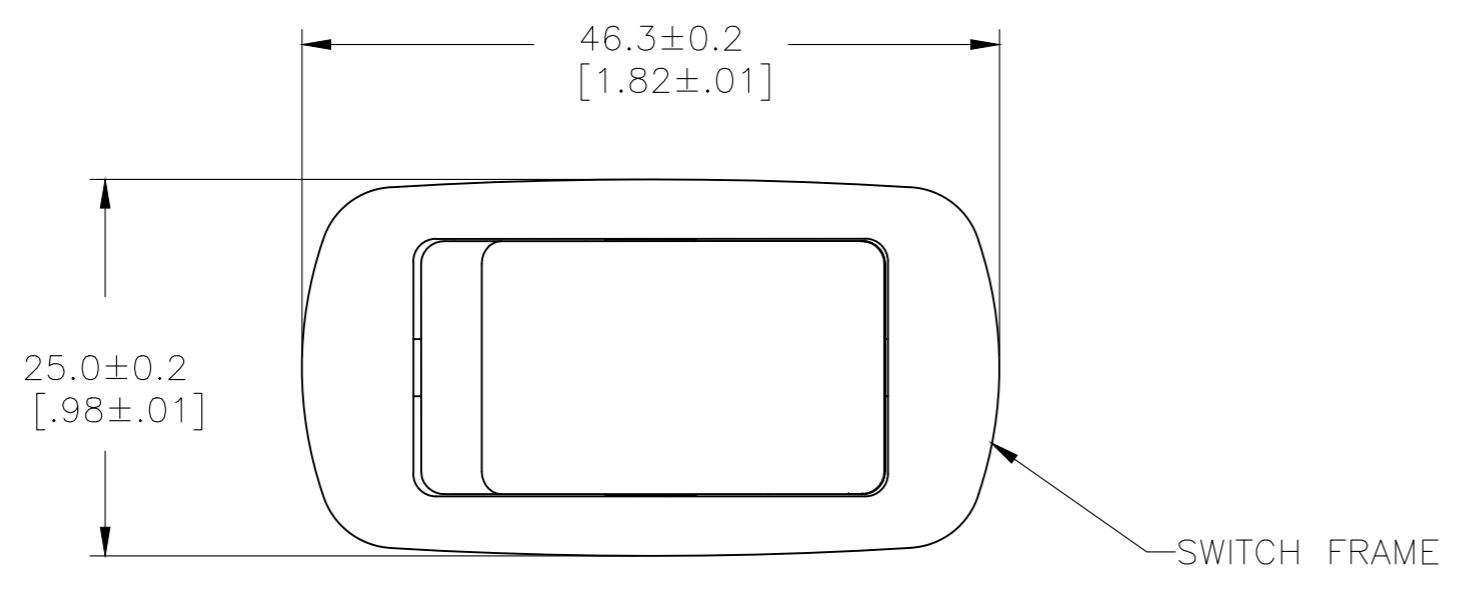


1571095-5  
SHOWN

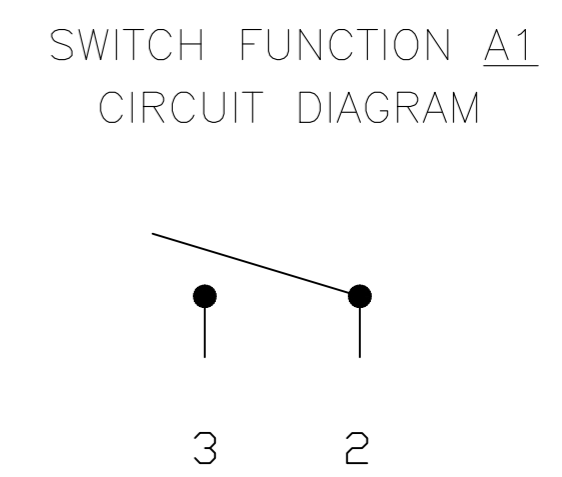
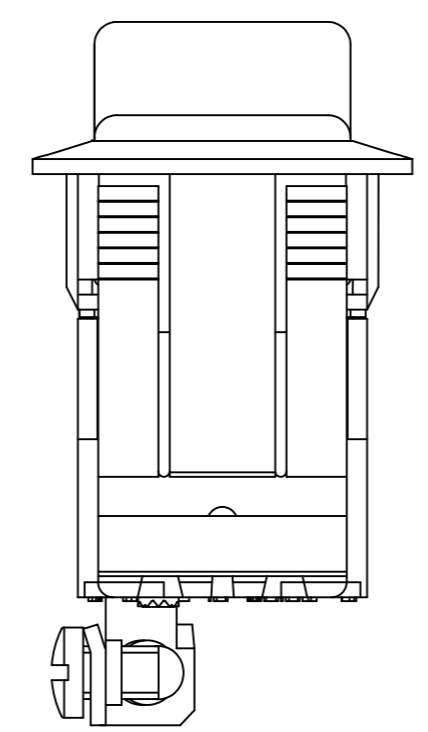
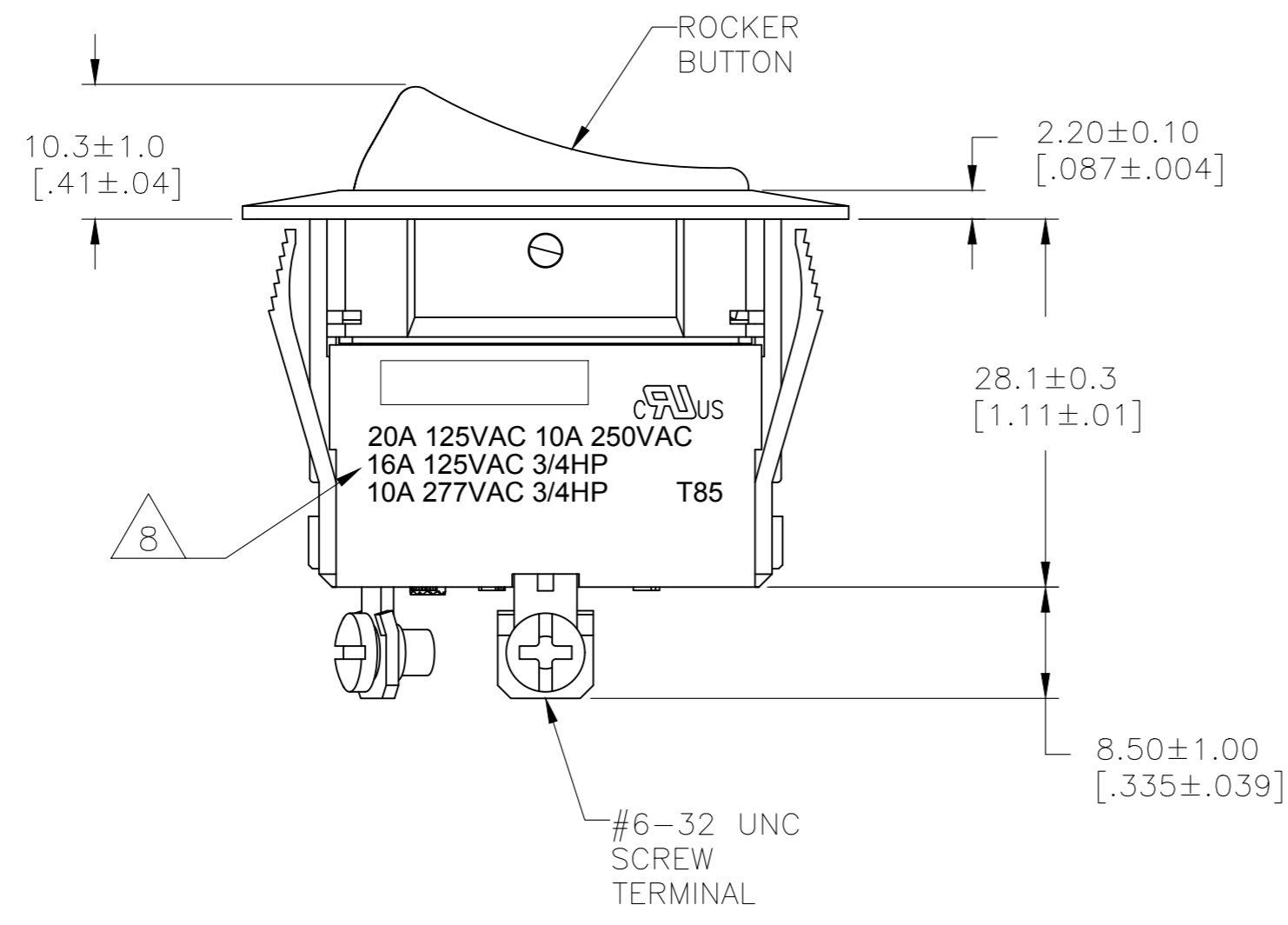
THIS DRAWING IS A CONTROLLED DOCUMENT.		DWN M.BINNER 25FEB2002	TE Connectivity	
DIMENSIONS: mm [INCHES]		CHK D.ROHDE 16NOV05		
TOLERANCES UNLESS OTHERWISE SPECIFIED:		APVD D.ROHDE 16NOV05	NAME POWER ROCKER SWITCH, 21.2mm X 36.6mm MIN PANEL SIZE SPST, NON-ILLUMINATED	
0 PLC ± - 1 PLC ± - 2 PLC ± - 3 PLC ± - 4 PLC ± - ANGLES ± -		PRODUCT SPEC	SIZE CAGE CODE DRAWING NO RESTRICTED TO	
MATERIAL		APPLICATION SPEC	A2 00779 C-1571095	
FINISH		WEIGHT	SCALE 2:1 SHEET 2 of 4 REV D1	
1		CUSTOMER DRAWING		

THIS DRAWING IS UNPUBLISHED. RELEASED FOR PUBLICATION  
 © COPYRIGHT - By - ALL RIGHTS RESERVED.

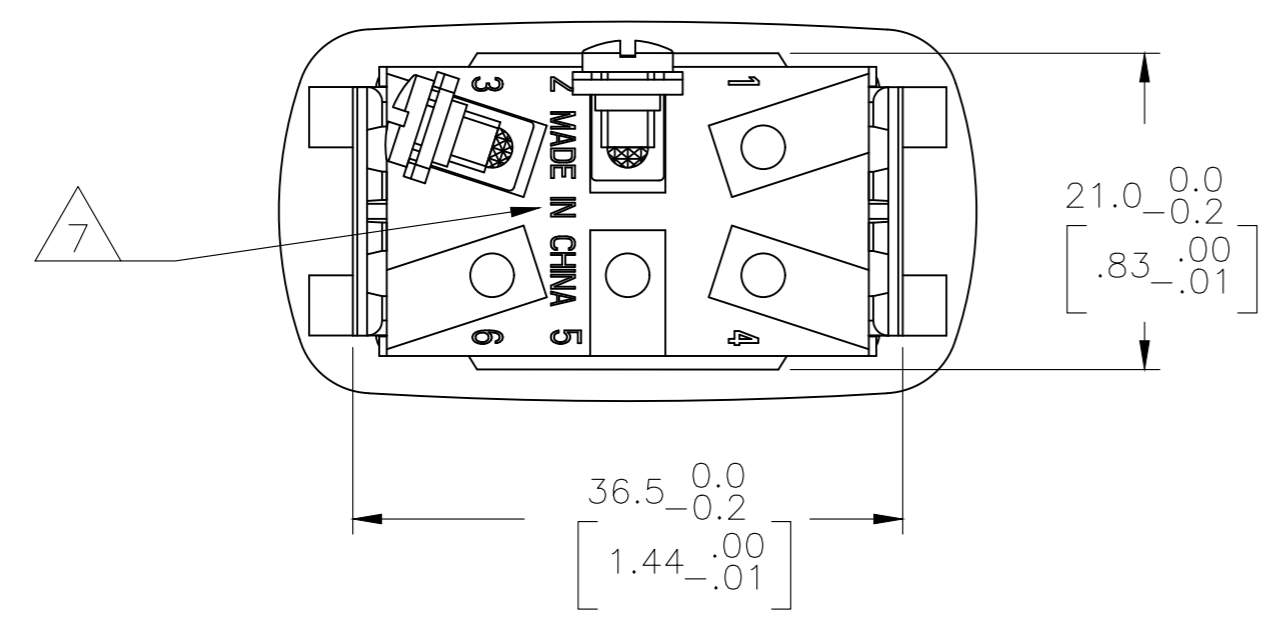
REVISIONS				
P	LTR	DESCRIPTION	DATE	APVD
-	-	SEE SHEET 1	-	-



2.00-3.00 [.079-.118]	21.2+0.1 [.835+.004]	37.0+0.2 [1.457+.008]
1.25-2.00 [.049-.079]	21.2+0.1 [.835+.004]	36.8+0.2 [1.449+.008]
.075-1.25 [.030-.049]	21.2+0.1 [.835+.004]	36.6+0.2 [1.441+.008]
PANEL THICKNESS	Y	X



OBSOLETE 1571095-9 SHOWN



THIS DRAWING IS A CONTROLLED DOCUMENT.		DWN M.BINNER 25FEB2002	TE Connectivity	
DIMENSIONS: mm [INCHES]		CHK D.ROHDE 16NOV05		
TOLERANCES UNLESS OTHERWISE SPECIFIED:		APVD D.ROHDE 16NOV05	NAME POWER ROCKER SWITCH, 21.2mm X 36.6mm MIN PANEL SIZE SPST, NON-ILLUMINATED	
0 PLC ± - 1 PLC ± - 2 PLC ± - 3 PLC ± - 4 PLC ± - ANGLES ± -		PRODUCT SPEC -	SIZE A2	
MATERIAL 1		APPLICATION SPEC -	CAGE CODE 00779	DRAWING NO. C-1571095
FINISH 2		WEIGHT -	RESTRICTED TO -	SCALE 2:1
CUSTOMER DRAWING			SHEET 3 of 4	REV D1

REVISIONS				
P	LTR	DESCRIPTION	DATE	APVD
-	-	SEE SHEET 1	-	-

**1 MATERIALS:**  
 ROCKER BUTTON, FRAME & HOUSING: NYLON 66, UL 94 V-2.  
 PLUNGER: PHENOLIC  
 SEAL: SILICONE RUBBER  
 SCREW TERMINAL, ACTIVE CONTACTOR, CONTACTOR SUPPORT: COPPER ALLOY PER ASTM B152  
 QC & SOLDER TERMINAL: COPPER ALLOY PER ASTM B036  
 SPRING: STEEL WIRE  
 CONTACTS: SILVER-TIN OXIDE

**2 FINISH:**  
 CONTACTOR SUPPORT, ACTIVE CONTACTOR: 1.01µm [.000040] MIN SILVER  
 QC TERMINAL: 1.27µm [.000050] MIN NICKEL  
 SOLDER TERMINAL: 1.27µm [.000050] MIN TIN

**3 ELECTRICAL SPECIFICATIONS:**  
 CURRENT AND VOLTAGE: **6**  
 CONTACT RESISTANCE (INITIAL): <50mΩ  
 DIELECTRIC STRENGTH (INITIAL): >1000 VAC, 1 MINUTE  
 INSULATION RESISTANCE (INITIAL): >100MΩ MIN (500VDC BETWEEN OPEN CONTACTS)  
 ELECTRICAL LIFE ENDURANCE: >6000 OPERATIONS, VOLTAGE DROP: <100mV  
 TEMPERATURE RISE AT TERMINALS: <30°C, 6000 OPERATIONS  
 (AMBIENT CONDITIONS: 25±2°C AND 65±5%R.H)

**4 MECHANICAL SPECIFICATIONS:**  
 ACTUATING FORCE: 400g MIN, 1200g MAX  
 OPERATING LIFE ENDURANCE: >100,000 OPERATIONS  
 TERMINAL RETENTION FORCE: >9kg- SOLDER LUG  
 >9kg- QC TAB  
 >6.8kg- #6-32 SCREW

**5 ENVIRONMENTAL SPECIFICATIONS:**  
 AMBIENT TEMPERATURE: -20°C TO +85°C  
 DEGREE OF PROTECTION: IP66

**6** 20A 125VAC, 10A 250VAC/16A 125VAC, 3/4HP/ 10A 277VAC, 3/4HP

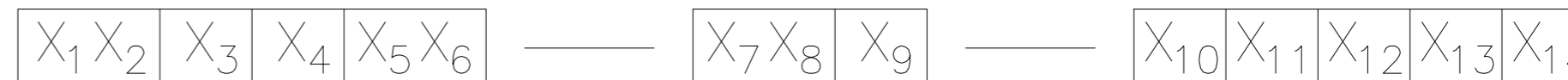
**7** COUNTRY OF ORIGIN AND TERMINAL IDENTIFICATION NUMBERS MOLDED APPROXIMATELY AS SHOWN ON THE SWITCH HOUSING.

**8** ELECTRICAL RATINGS, APPROVED AGENCY LOGOS AND THE TE CONNECTIVITY LOGO LASER MARKED APPROXIMATELY AS SHOWN ON THE SWITCH HOUSING.

**9** COMPONENT RECOGNIZED TO US & CANADIAN STANDARDS, UL FILE NO. E46765.

**10** ROHS 2002/95/EC COMPLIANT

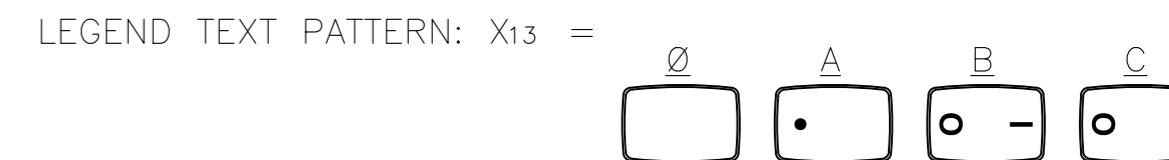
ALCOSWITCH PART NUMBER



SWITCH TYPE: X1X2 = PR - POWER ROCKER  
 PANEL CUT OUT SIZE: X3 = C - 21.2x36.6 MIN [.835x1.441]  
 NUMBER OF POLES: X4 = S - SINGLE  
 SWITCH FUNCTION: X5X6 = A1 - ON-OFF, WITH OPAQUE, SINGLE-COLOR ROCKER BUTTON.

SECONDARY ROCKER COLOR: X12 = Ø - NOT APPLICABLE

CURRENT RATING: X7X8 = 20 - **6**  
 TERMINAL TYPE: X9 = E - QC TAB  
L - SOLDER LUG  
S - #6-32 UNC SCREW  
 FRAME COLOR: X10 = B - BLACK  
W - WHITE



ROCKER COLOR: X11 = B - BLACK  
G - GREEN  
R - RED  
W - WHITE  
Y - YELLOW

LEGEND TEXT COLOR: X14 = Ø - NOT APPLICABLE  
G - GREEN  
R - RED  
B - BLACK  
W - WHITE

OBSOLETE	3	PRCSA1-20S-BB0CW	1-1571095-1
	3	PRCSA1-20S-BB0BW	1-1571095-0
	3	PRCSA1-20S-BB000	1571095-9
	2	PRCSA1-20L-BR000	1571095-8
	1	PRCSA1-20F-BR000	1571095-7
OBSOLETE	2	PRCSA1-20L-BB0CW	1571095-6
	2	PRCSA1-20L-BB0BW	1571095-5
	2	PRCSA1-20L-BB000	1571095-4
	1	PRCSA1-20F-BB0CW	1571095-3
	1	PRCSA1-20F-BB0BW	1571095-2
	1	PRCSA1-20F-BB000	1571095-1
	SHEET REF	ALCOSWITCH PART NUMBER	PART NUMBER

THIS DRAWING IS A CONTROLLED DOCUMENT.		DWN M.BINNER 25FEB2002	TE Connectivity	
DIMENSIONS: mm [INCHES]		CHK D.ROHDE 16NOV05	NAME POWER ROCKER SWITCH, 21.2mm X 36.6mm MIN PANEL SIZE SPST, NON-ILLUMINATED	
TOLERANCES UNLESS OTHERWISE SPECIFIED: 0 PLC ± - 1 PLC ± - 2 PLC ± - 3 PLC ± - 4 PLC ± - ANGLES ± -		APVD D.ROHDE 16NOV05	RESTRICTED TO	
MATERIAL		PRODUCT SPEC	SIZE A2	CAGE CODE 00779
FINISH		APPLICATION SPEC	DRAWING NO C-1571095	SCALE 2:1
FINISH		WEIGHT	SHEET 4 of 4	
FINISH		CUSTOMER DRAWING		REV D1



Компания «ЭлектроПласт» предлагает заключение долгосрочных отношений при поставках импортных электронных компонентов на взаимовыгодных условиях!

Наши преимущества:

- Оперативные поставки широкого спектра электронных компонентов отечественного и импортного производства напрямую от производителей и с крупнейших мировых складов;
- Поставка более 17-ти миллионов наименований электронных компонентов;
- Поставка сложных, дефицитных, либо снятых с производства позиций;
- Оперативные сроки поставки под заказ (от 5 рабочих дней);
- Экспресс доставка в любую точку России;
- Техническая поддержка проекта, помощь в подборе аналогов, поставка прототипов;
- Система менеджмента качества сертифицирована по Международному стандарту ISO 9001;
- Лицензия ФСБ на осуществление работ с использованием сведений, составляющих государственную тайну;
- Поставка специализированных компонентов (Xilinx, Altera, Analog Devices, Intersil, Interpoint, Microsemi, Aeroflex, Peregrine, Syfer, Eurofarad, Texas Instrument, Miteq, Cobham, E2V, MA-COM, Hittite, Mini-Circuits, General Dynamics и др.);

Помимо этого, одним из направлений компании «ЭлектроПласт» является направление «Источники питания». Мы предлагаем Вам помощь Конструкторского отдела:

- Подбор оптимального решения, техническое обоснование при выборе компонента;
- Подбор аналогов;
- Консультации по применению компонента;
- Поставка образцов и прототипов;
- Техническая поддержка проекта;
- Защита от снятия компонента с производства.



#### Как с нами связаться

**Телефон:** 8 (812) 309 58 32 (многоканальный)

**Факс:** 8 (812) 320-02-42

**Электронная почта:** [org@eplast1.ru](mailto:org@eplast1.ru)

**Адрес:** 198099, г. Санкт-Петербург, ул. Калинина, дом 2, корпус 4, литера А.