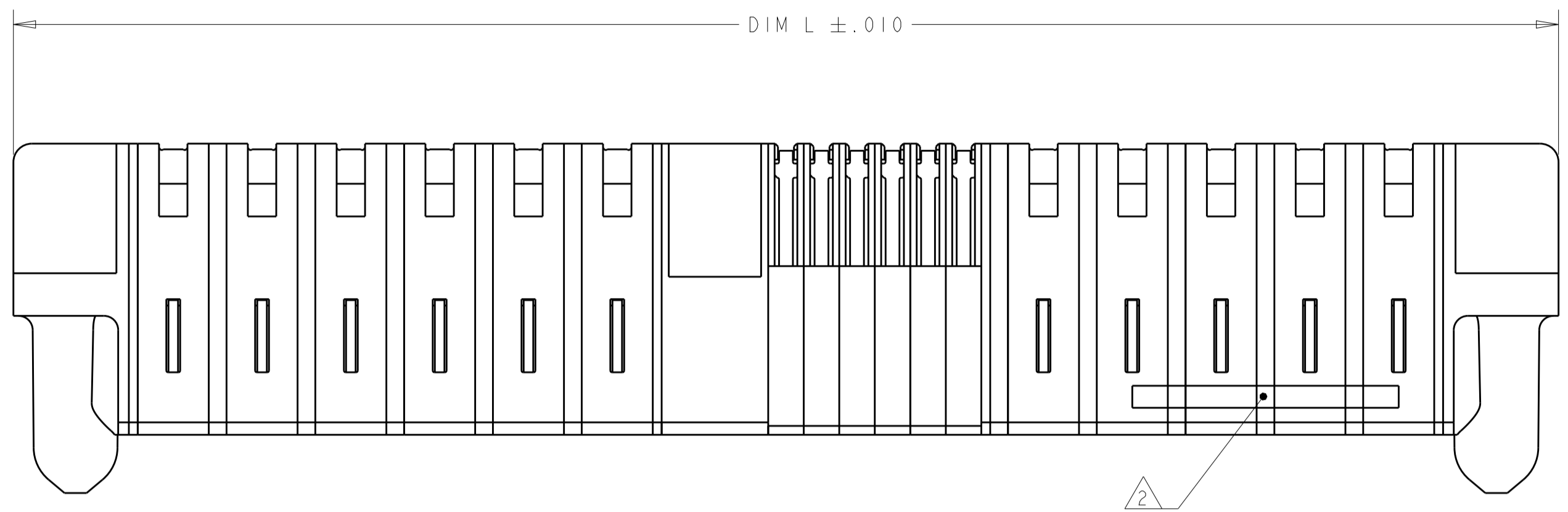
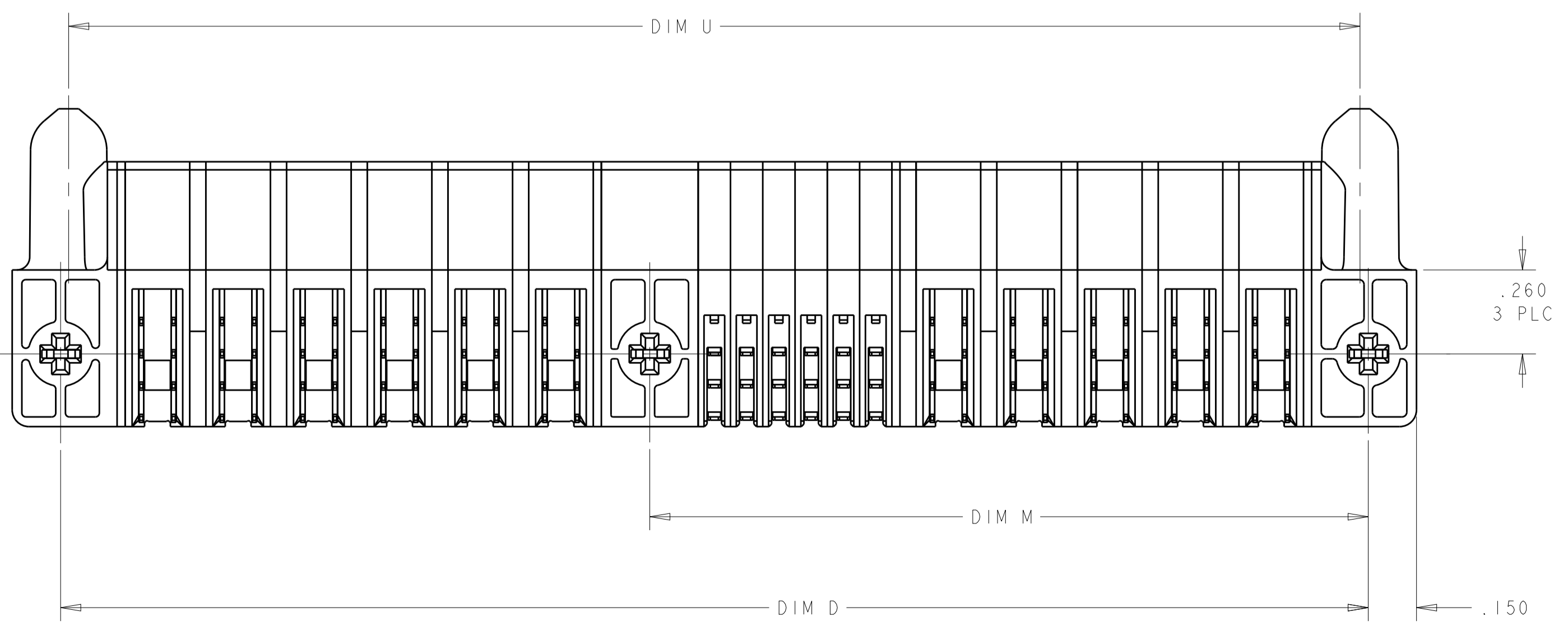
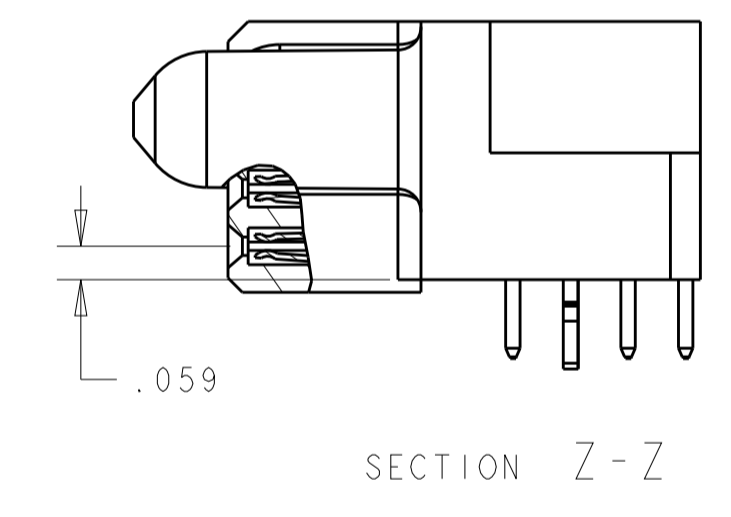
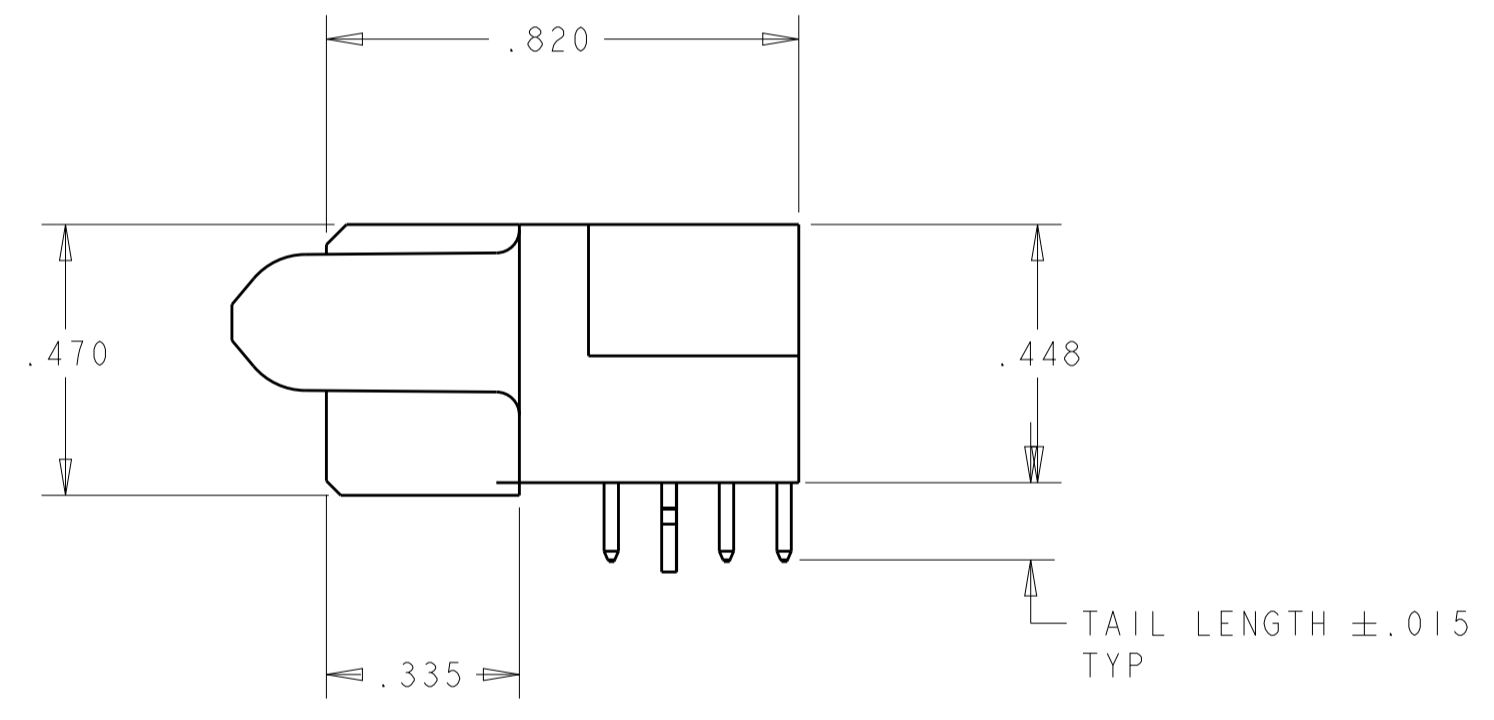
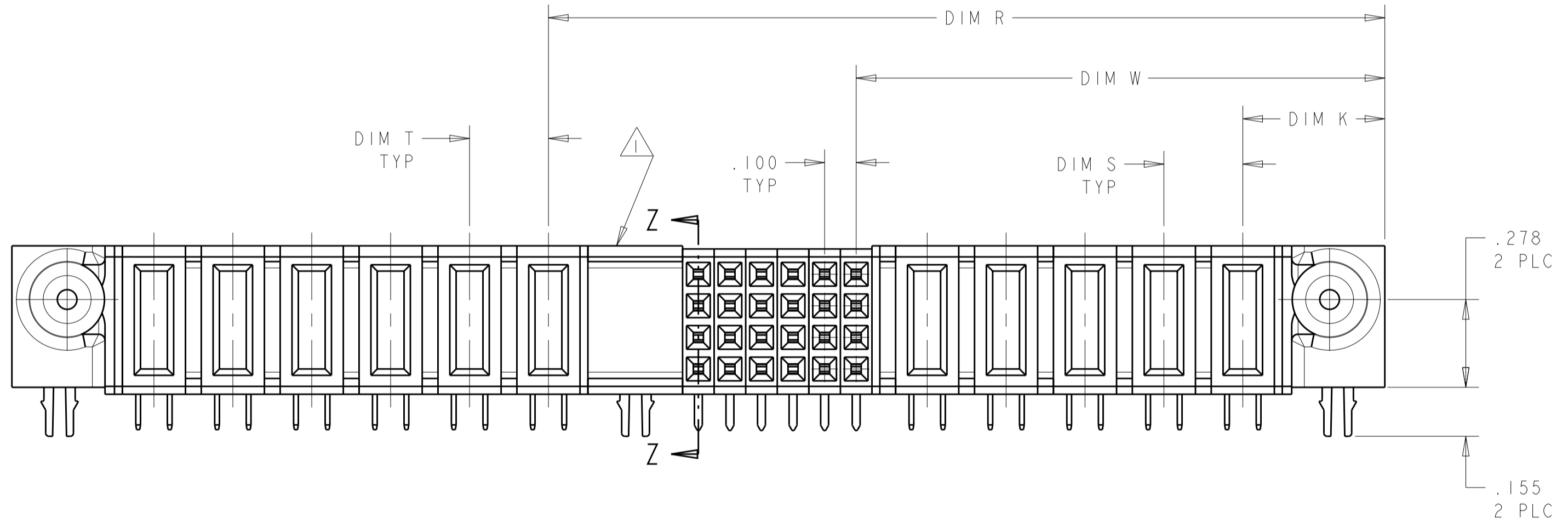


| LOC | DIST | REVISIONS |     |                       |           |     |      |
|-----|------|-----------|-----|-----------------------|-----------|-----|------|
|     |      | P         | LTN | DESCRIPTION           | DATE      | DWN | APVD |
| GP  | 00   | G         |     | REV PER ECO-15-000526 | 19JAN2015 | LAW | CZ   |
|     |      |           |     |                       |           |     |      |
|     |      |           |     |                       |           |     |      |



- 1 OPTIONAL CENTER MODULE, WITH  $\phi .150$  THRU HOLE OR HOLD DOWN FEATURE.
- 2 "AMP", PART NUMBER, AND DATE CODE TO BE MARKED IN AREA SHOWN.
- 3 MATERIAL: HOUSING - GLASS FILLED HIGH TEMP THERMO PLASTIC, BLACK, UL94 V-0  
 SIGNAL CONTACT - HIGH CONDUCTIVITY COPPER ALLOY  
 POWER CONTACT - HIGH CONDUCTIVITY COPPER ALLOY
- 4 CONTACT PLATING: NOBLE PLATING ON CONTACT FUNCTIONAL AREA OF POWER AND SIGNAL CONTACTS
- 5 MECHANICAL CONNECTOR KEEP OUT ZONE.
- 6 DATUM AND BASIC DIMENSIONS ESTABLISHED BY CUSTOMER.
- 7 PCB- ALL HOLE DIAMETERS ARE FINISHED DIMENSIONS.
- 8 PCB-  $\phi .0453 \pm .0010$  DRILLED HOLES PLATED WITH  $.0003$  MIN Sn OVER  $.001-.003$  CU PLATING TO ACHIEVE A  $\phi .040 \pm .003$  HOLE.




|  |                  |                      |                  |   |
|--|------------------|----------------------|------------------|---|
| THIS DRAWING IS A CONTROLLED DOCUMENT. |                  | OWN<br>R. GRZYBOWSKI | ZIFEB05          | TE Connectivity   |
| DIMENSIONS:<br>INCHES                  |                  | CHK<br>M. PERCHERKE  | ZIFEB05          |   |
| TOLERANCES UNLESS OTHERWISE SPECIFIED: |                  | APVD<br>M. PERCHERKE | ZIFEB05          | NAME<br>RIGHT ANGLE RECEPTACLE ASSEMBLY WITH GUIDES MULTI-BEAM XL |
| 0 PLC $\pm .01$                        | 1 PLC $\pm .01$  | PRODUCT SPEC         | 108-1973         | SIZE<br>114-13038   |
| 2 PLC $\pm .005$                       | 3 PLC $\pm .002$ | APPLICATION SPEC     | 114-13038        | RESTRICTED TO   |
| 4 PLC $\pm .002$                       | ANGLES $\pm .02$ | FINISH               | Customer Drawing | SCALE 3:1 SHEET 1 OF 16 REV G1                                    |
| MATERIAL                               | FINISH           | WEIGHT               | A100779C=6450160 |   |

| LOC | DIST | REVISIONS |     |             |      |     |      |
|-----|------|-----------|-----|-------------|------|-----|------|
| GP  | 00   | P         | LTN | DESCRIPTION | DATE | DWN | APVD |
|     |      | -         |     | SEE SHEET 1 |      | -   | -    |
|     |      |           |     |             |      |     |      |
|     |      |           |     |             |      |     |      |

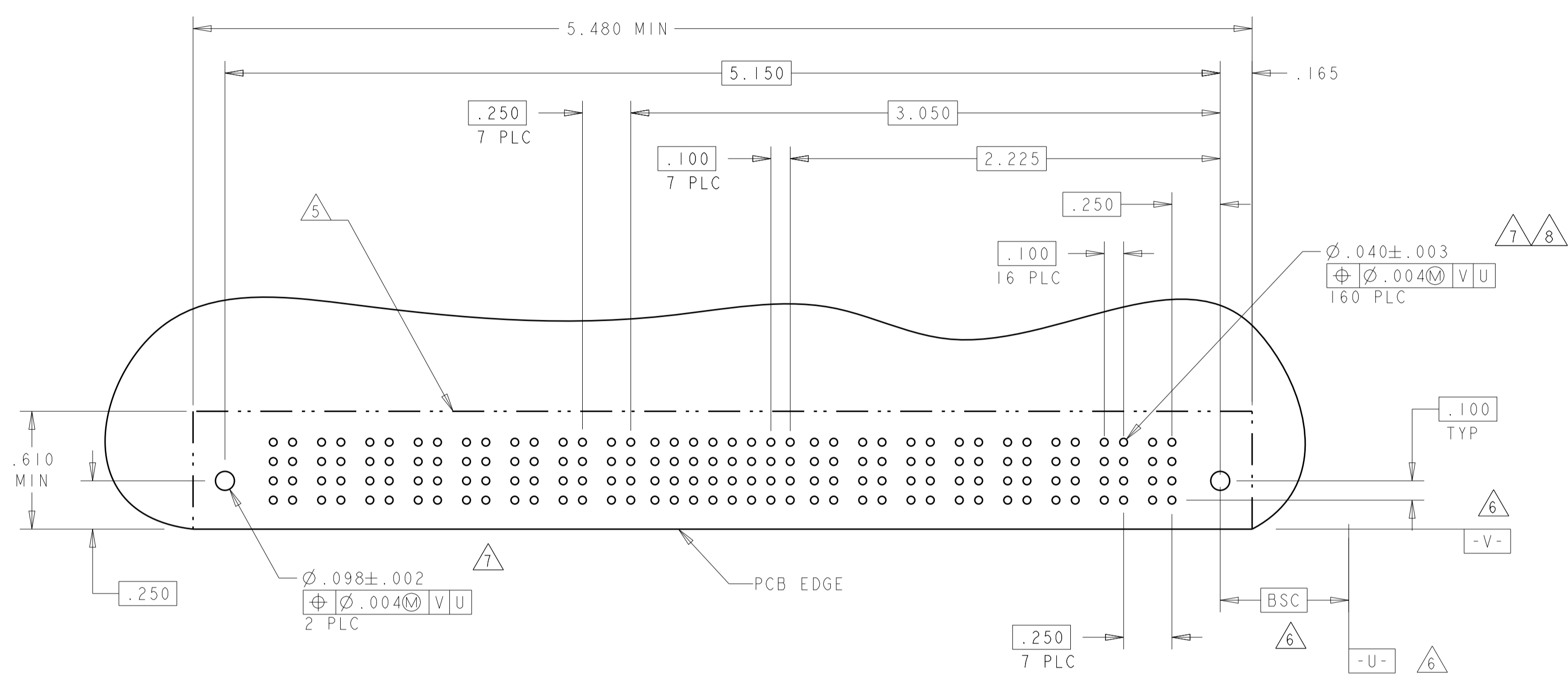
|       |      |      |       |       |       |       |       |      |                    |             |
|-------|------|------|-------|-------|-------|-------|-------|------|--------------------|-------------|
| .700  | -    | -    | -     | .375  | .750  | -     | 1.050 | -    | 16S                | 4-6450160-9 |
| 2.700 | -    | .200 | 2.600 | 1.425 | 2.750 | -     | 3.050 | .450 | 5P + 44S + 1P      | 4-6450160-8 |
| 4.000 | -    | -    | -     | .375  | 4.050 | -     | 4.350 | -    | 148S               | 4-6450160-6 |
| 2.000 | .250 | .250 | 1.650 | .925  | 2.050 | -     | 2.350 | .450 | 2P + 24S + 2P      | 4-6450160-5 |
| 2.800 | -    | -    | -     | 0.375 | 2.850 | -     | 3.150 | -    | 100S               | 4-6450160-4 |
| 1.100 | -    | -    | 1.000 | .625  | 1.150 | -     | 1.450 | .450 | 1P + 12S + 1P      | 4-6450160-1 |
| 2.400 | .250 | .250 | 1.550 | .875  | 2.450 | -     | 2.750 | .450 | 2P + 24S + 4P      | 4-6450160-0 |
| 4.700 | .250 | .250 | 2.850 | 2.375 | 4.750 | -     | 5.050 | .450 | 8P + 16S + 8P      | 3-6450160-9 |
| 5.400 | .300 | .300 | 2.875 | 2.175 | 5.450 | -     | 5.750 | .475 | 6P + 24S + 9P      | 3-6450160-8 |
| 2.900 | .250 | .250 | 2.050 | 1.375 | 2.950 | -     | 3.250 | .450 | 4P + 24S + 4P      | 3-6450160-7 |
| 3.900 | .250 | .250 | 2.550 | 1.875 | 3.950 | -     | 4.250 | .450 | 6P + 24S + 6P      | 3-6450160-6 |
| 3.800 | .250 | .250 | 3.450 | .875  | 3.850 | -     | 4.150 | .450 | 2P + 100S + 2P     | 3-6450160-4 |
| 3.700 | .300 | .200 | 2.700 | 2.025 | 3.750 | -     | 4.050 | .450 | 8P+24S+4ACP        | 3-6450160-3 |
| 2.800 | .300 | .250 | 2.075 | 1.375 | 2.850 | -     | 3.150 | .450 | 4P + 24S + 3ACP    | 3-6450160-2 |
| 1.700 | .250 | .250 | 1.350 | .875  | 1.750 | -     | 2.050 | .450 | 2P + 16S + 2P      | 3-6450160-1 |
| 4.375 | .300 | .250 | 3.375 | 2.375 | 4.450 | 2.950 | 4.725 | .450 | 8P+24S+1M+4ACP     | 3-6450160-0 |
| 4.100 | .250 | .300 | 2.250 | 1.575 | 4.150 | -     | 4.450 | .475 | 4ACP + 24S + 8P    | 2-6450160-9 |
| 2.000 | .250 | .300 | 1.650 | 1.325 | 2.050 | -     | 2.350 | .475 | 3ACP + 8S + 2P     | 2-6450160-7 |
| 2.600 | .200 | .200 | 1.900 | 1.225 | 2.650 | -     | 2.950 | .450 | 4HDP + 24S + 4HDP  | 2-6450160-6 |
| 2.000 | .250 | .250 | 1.650 | .925  | 2.050 | -     | 2.350 | .450 | 2P + 24S + 2P      | 2-6450160-5 |
| 4.000 | .250 | .250 | 2.650 | 1.675 | 4.050 | 2.225 | 4.350 | .450 | 5P + 24S + 1M + 6P | 2-6450160-0 |
| 3.300 | .250 | .250 | 2.450 | 1.875 | 3.350 | -     | 3.650 | .450 | 6P + 20S + 4P      | 1-6450160-9 |
| 4.675 | .300 | .250 | 3.950 | 3.375 | 4.725 | -     | 5.025 | .450 | 12P + 20S + 3ACP   | 1-6450160-8 |
| 3.250 | .250 | .250 | 2.900 | 1.125 | 3.300 | -     | 3.600 | .450 | 3P + 68S + 2P      | 1-6450160-3 |
| .900  | -    | -    | -     | .375  | .950  | -     | 1.250 | -    | 0P + 24S + 0P      | 1-6450160-2 |
| 1.900 | -    | -    | .975  | .625  | 1.950 | -     | 2.250 | .450 | 1P + 12S + 5P      | 1-6450160-1 |
| 1.900 | .250 | .250 | 1.550 | .875  | 1.950 | -     | 2.250 | .450 | 2P + 24S + 2P      | 1-6450160-0 |
| 3.300 | .250 | .250 | 2.450 | 1.875 | 3.350 | -     | 3.650 | .450 | 6P + 20S + 4P      | 6450160-9   |
| 2.400 | .250 | .250 | 1.800 | 1.125 | 2.450 | -     | 2.750 | .450 | 3P + 24S + 3P      | 6450160-8   |
| 3.050 | .250 | .300 | 1.950 | 1.275 | 3.100 | -     | 3.400 | .475 | 3ACP + 24S + 5P    | 6450160-7   |
| 7.400 | .250 | .250 | 5.050 | 2.875 | 7.450 | -     | 7.750 | .450 | 10P + 84S + 10P    | 6450160-6   |
| 4.000 | .250 | .250 | 2.650 | 1.675 | 4.050 | 2.225 | 4.350 | .450 | 5P + 24S + 1M + 6P | 6450160-5   |
| 4.000 | .250 | .250 | 2.650 | 1.675 | 4.050 | 2.225 | 4.350 | .450 | 5P + 24S + 1M + 6P | 6450160-4   |
| 1.575 | -    | -    | 1.425 | .700  | 1.625 | -     | 1.925 | .475 | 1P + 24S + 1P      | 6450160-3   |
| 1.575 | -    | -    | 1.425 | .700  | 1.625 | -     | 1.925 | .475 | 1P + 24S + 1P      | 6450160-2   |
| 5.100 | .250 | .250 | 3.250 | 2.375 | 5.150 | -     | 5.450 | .450 | 8P + 32S + 8P      | 6450160-1   |
| U     | T    | S    | R     | W     | D     | M     | L     | K    | DESCRIPTION        | PART NUMBER |

(E6) PART IS IN SHEET 15

|  |             |                                 |  |
|--|-------------|---------------------------------|--|
| THIS DRAWING IS A CONTROLLED DOCUMENT. |             | DWN<br>R. GRZYBOWSKI<br>ZIFEB05 |  TE Connectivity<br>RIGHT ANGLE RECEPTACLE ASSEMBLY WITH GUIDES MULTI-BEAM XL |
| DIMENSIONS: INCHES                     |             | CHK<br>M. PERCHERKE<br>ZIFEB05  |  |
| TOLERANCES UNLESS OTHERWISE SPECIFIED: |             | APVD<br>M. PERCHERKE<br>ZIFEB05 | NAME   |
| 0 PLC ±                                | 1 PLC ±.01  | PRODUCT SPEC                    | 108-1973   |
| 3 PLC ±.005                            | 4 PLC ±.002 | APPLICATION SPEC                | 114-13038  |
| ANGLES ±.02                            | FINISH      | WEIGHT                          | Customer Drawing   |
| MATERIAL                               |             | RESTRICTED TO                   | A100779C=6450160   |
| SCALE 3:1                              |             | SHEET 2 OF 16                   | REV G  |

| LOC | DIST | REV | DATE | BY | APPV |
|-----|------|-----|------|----|------|
| GP  | 00   |     |      |    |      |

| PART NUMBER | ROWS             | POWER         |     |     |     |     |     |     | SIGNAL |   |   |   |   |   |   | POWER |    |    |    |    |    |    |    |    |    |  |  |  |  |
|-------------|------------------|---------------|-----|-----|-----|-----|-----|-----|--------|---|---|---|---|---|---|-------|----|----|----|----|----|----|----|----|----|--|--|--|--|
|             |                  | P16           | P15 | P14 | P13 | P12 | P11 | P10 | P9     | 8 | 7 | 6 | 5 | 4 | 3 | 2     | 1  | P8 | P7 | P6 | P5 | P4 | P3 | P2 | P1 |  |  |  |  |
| 6450160-1   | D<br>C<br>B<br>A | RA            | RA  | RA  | RA  | RA  | RA  | RA  | H      | H | H | H | H | H | H | H     | RA | RA | RA | RA | RA | RA | RA | RA |    |  |  |  |  |
|             |                  | 9' + 36S + 8P |     |     |     |     |     |     |        |   |   |   |   |   |   |       |    |    |    |    |    |    |    |    |    |  |  |  |  |

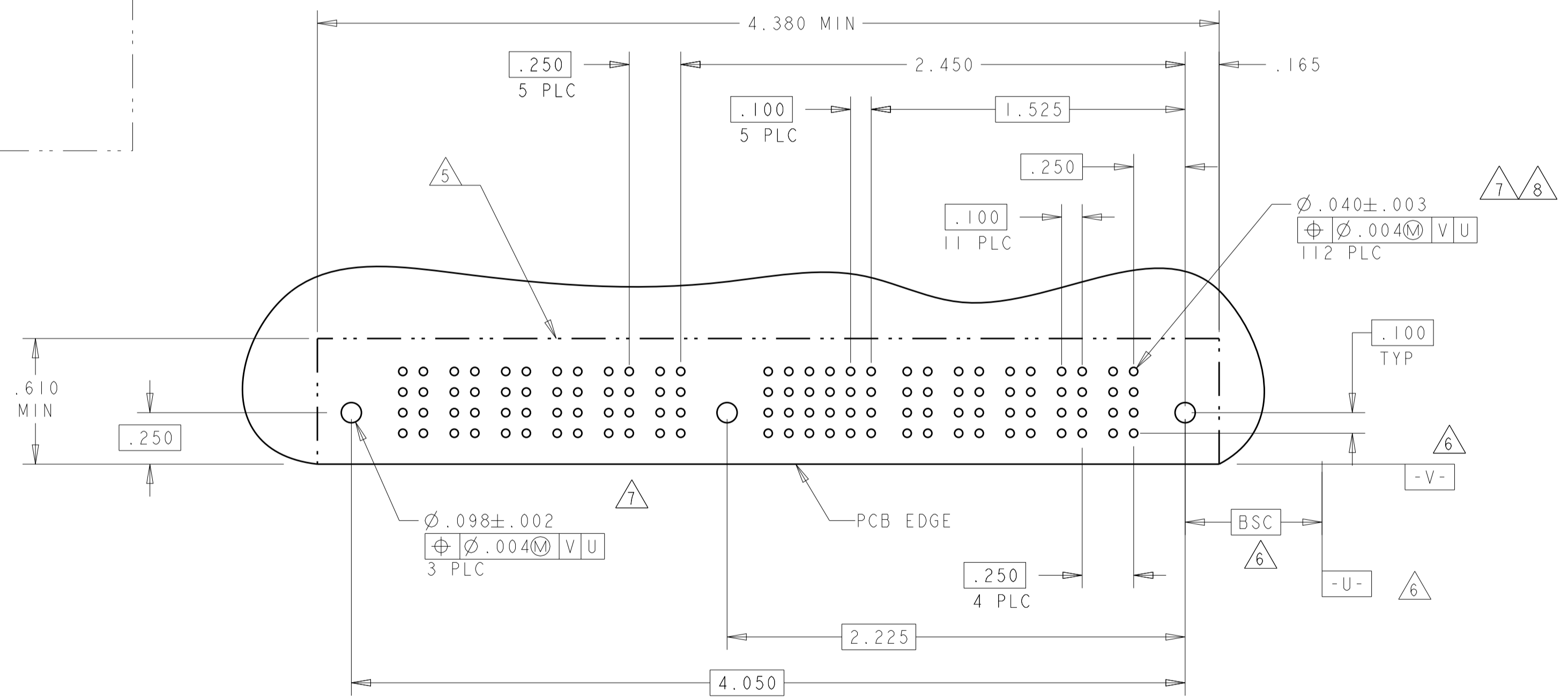
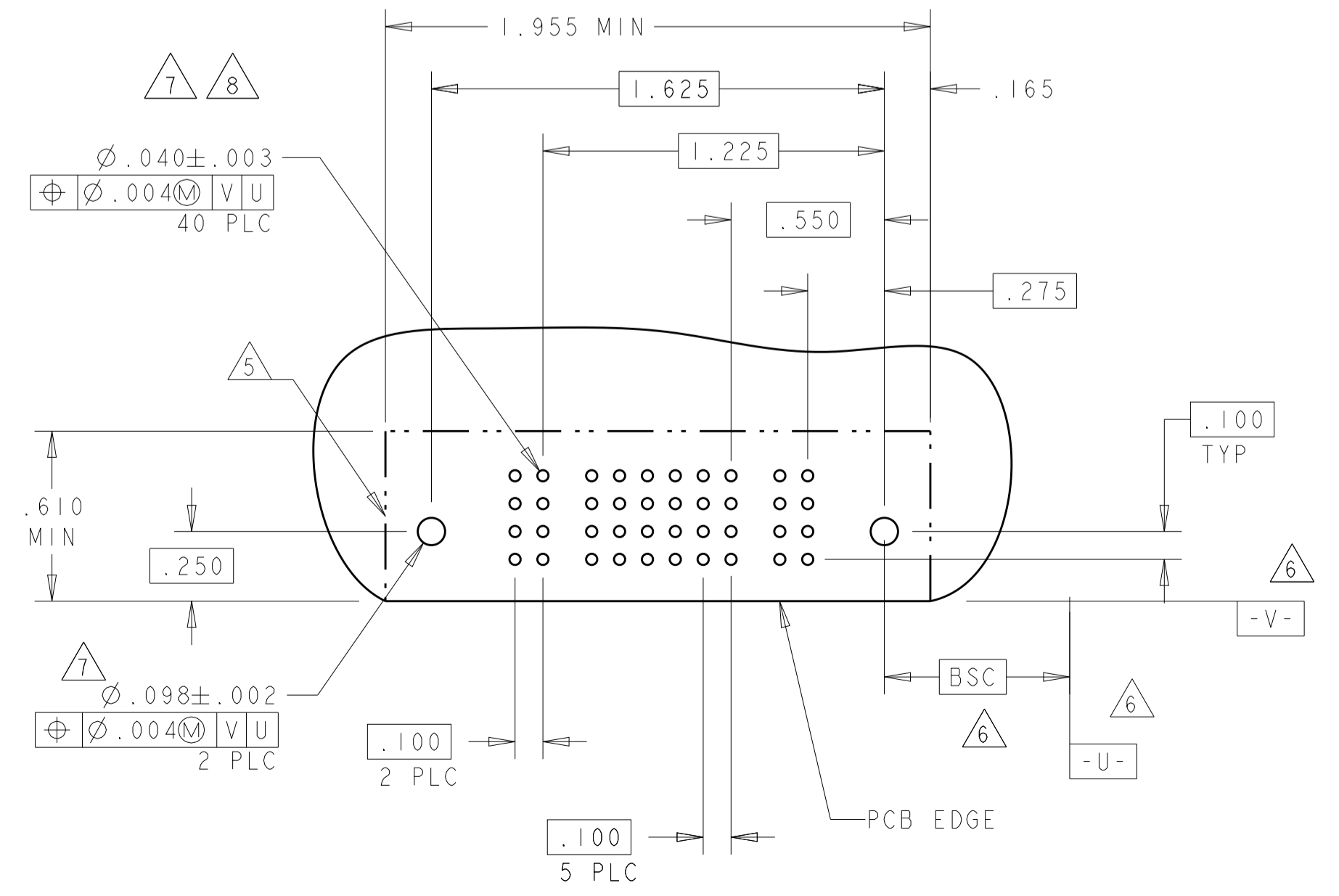


| PART NUMBER | ROWS             | POWER              |     |    |    |    |    | SIGNAL |   |   |   |   |   | POWER |    |    |    |    |    |    |  |  |  |  |
|-------------|------------------|--------------------|-----|----|----|----|----|--------|---|---|---|---|---|-------|----|----|----|----|----|----|--|--|--|--|
|             |                  | P11                | P10 | P9 | P8 | P7 | P6 | M1     | 6 | 5 | 4 | 3 | 2 | 1     | P5 | P4 | P3 | P2 | P1 |    |  |  |  |  |
| 6450160-4   | D<br>C<br>B<br>A | RB                 | RB  | RB | RB | RB | RB |        | L | L | L | L | L | L     | L  | RB | RB | RB | RB | RB |  |  |  |  |
|             |                  | 5P + 24S + 1M + 6P |     |    |    |    |    |        |   |   |   |   |   |       |    |    |    |    |    |    |  |  |  |  |

| PART NUMBER | ROWS             | POWER              |     |    |    |    |    | SIGNAL |   |   |   |   |   | POWER |    |    |    |    |    |  |  |  |  |  |
|-------------|------------------|--------------------|-----|----|----|----|----|--------|---|---|---|---|---|-------|----|----|----|----|----|--|--|--|--|--|
|             |                  | P11                | P10 | P9 | P8 | P7 | P6 | M1     | 6 | 5 | 4 | 3 | 2 | 1     | P5 | P4 | P3 | P2 | P1 |  |  |  |  |  |
| 6450160-5   | D<br>C<br>B<br>A | RA                 | RA  | RA | RA | RA | RA | H      | H | H | H | H | H | H     | RA | RA | RA | RA | RA |  |  |  |  |  |
|             |                  | 5P + 24S + 1M + 6P |     |    |    |    |    |        |   |   |   |   |   |       |    |    |    |    |    |  |  |  |  |  |

| PART NUMBER | ROWS             | POWER         |   |   |   |   | SIGNAL |   |    |   |   | POWER |   |   |    |   |   |   |   |   |  |  |  |  |
|-------------|------------------|---------------|---|---|---|---|--------|---|----|---|---|-------|---|---|----|---|---|---|---|---|--|--|--|--|
|             |                  | P2            | 6 | 5 | 4 | 3 | 2      | 1 | P1 | 6 | 5 | 4     | 3 | 2 | 1  |   |   |   |   |   |  |  |  |  |
| 6450160-2   | D<br>C<br>B<br>A | RB            | K | K | K | K | K      | K | J  | J | J | J     | J | J | RB | I | I | I | I | I |  |  |  |  |
|             |                  | 1P + 24S + 1P |   |   |   |   |        |   |    |   |   |       |   |   |    |   |   |   |   |   |  |  |  |  |

| PART NUMBER | ROWS             | POWER         |   |   |   |   | SIGNAL |   |    |   |   | POWER |   |   |    |   |   |   |   |   |  |  |  |  |
|-------------|------------------|---------------|---|---|---|---|--------|---|----|---|---|-------|---|---|----|---|---|---|---|---|--|--|--|--|
|             |                  | P2            | 6 | 5 | 4 | 3 | 2      | 1 | P1 | 6 | 5 | 4     | 3 | 2 | 1  |   |   |   |   |   |  |  |  |  |
| 6450160-3   | D<br>C<br>B<br>A | RA            | H | H | H | H | H      | H | G  | G | G | G     | G | G | RA | E | E | E | E | E |  |  |  |  |
|             |                  | 1P + 24S + 1P |   |   |   |   |        |   |    |   |   |       |   |   |    |   |   |   |   |   |  |  |  |  |



| CODE | TAIL LENGTH | DESCRIPTION |
|------|-------------|-------------|
| RN   | .090        | STD         |
| RM   | .135        | STD         |
| RA   | .135        | MFBL        |
| RB   | .090        | MFBL        |

POWER CONTACT

| CODE | TAIL LENGTH | ROW |
|------|-------------|-----|
| L    | .090        | D   |
| K    | .090        | C   |
| J    | .090        | B   |
| I    | .090        | A   |
| H    | .135        | D   |
| G    | .135        | C   |
| F    | .135        | B   |
| E    | .135        | A   |

SIGNAL CONTACT

THIS DRAWING IS A CONTROLLED DOCUMENT.

OWN: R. GRZYBOWSKI 21FEB05  
 CHK: M. PERCHERKE 21FEB05  
 APV: M. PERCHERKE 21FEB05

PRODUCT SPEC: 108-1973  
 APPLICATION SPEC: 114-13038  
 WEIGHT: -  
 Customer Drawing

**STE** TE Connectivity

NAME: RIGHT ANGLE RECEPTACLE ASSEMBLY WITH GUIDES MULTI-BEAM XL

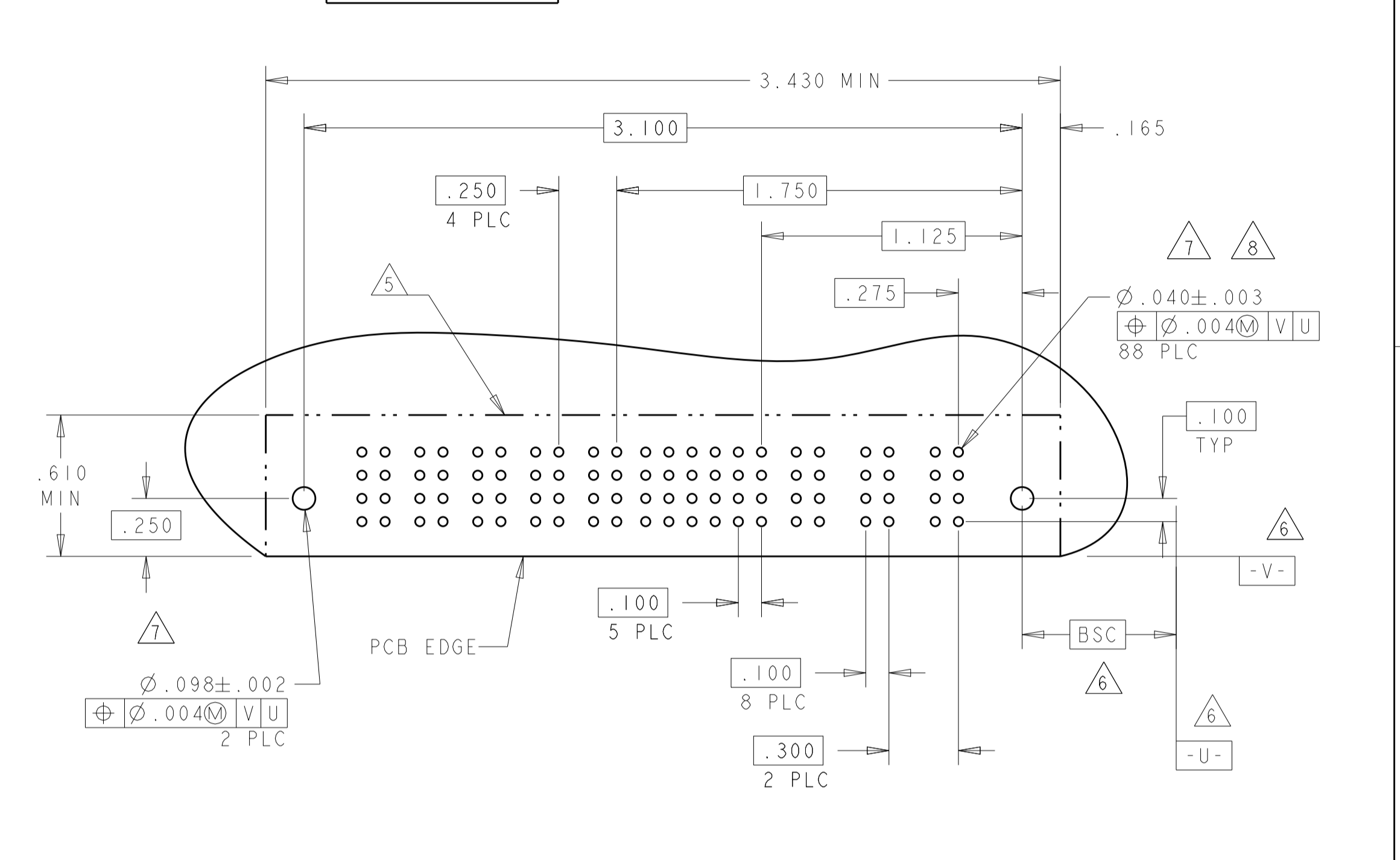
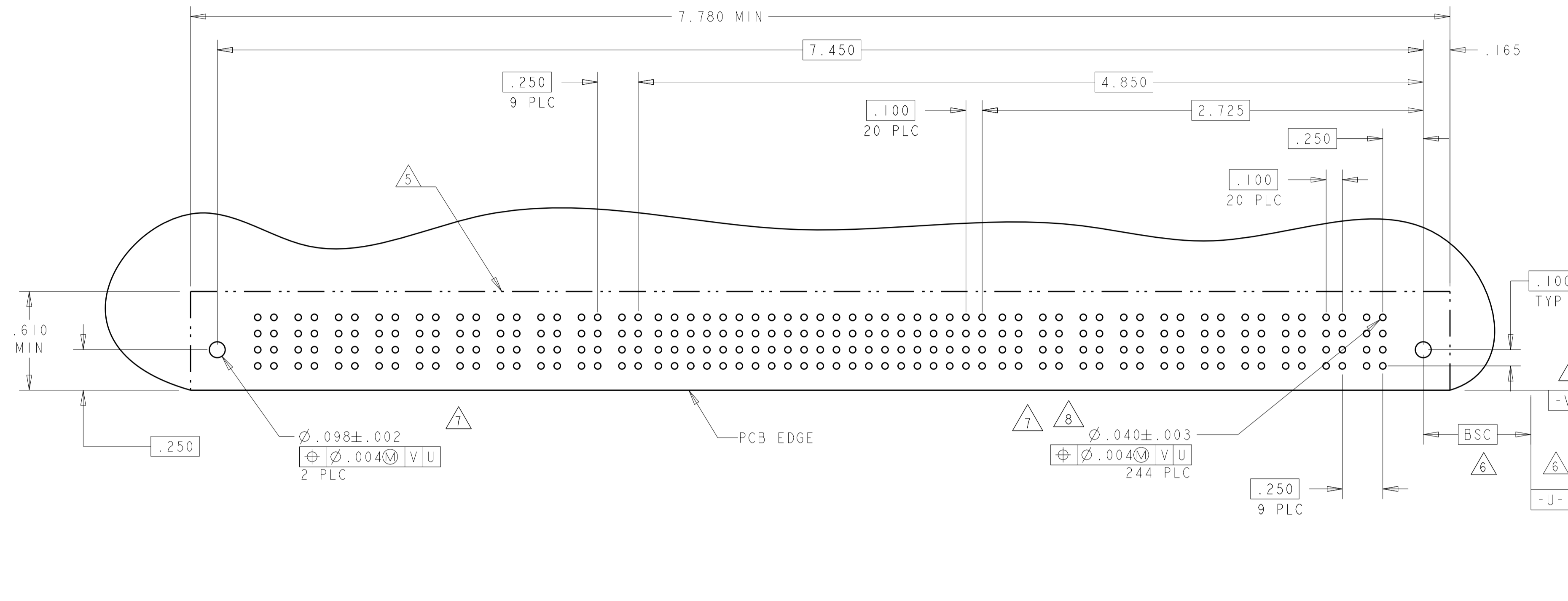
SIZE: A100779 CAGE CODE: 6450160 DRAWING NO: 108-1973 SHEET 3 OF 16

SCALE: 4:1

| LOC |    | DIST |     | REVISIONS   |      |     |      |
|-----|----|------|-----|-------------|------|-----|------|
| GP  | 00 | P    | LTN | DESCRIPTION | DATE | DWN | APVD |
|     |    | -    | -   | SEE SHEET 1 | -    | -   | -    |

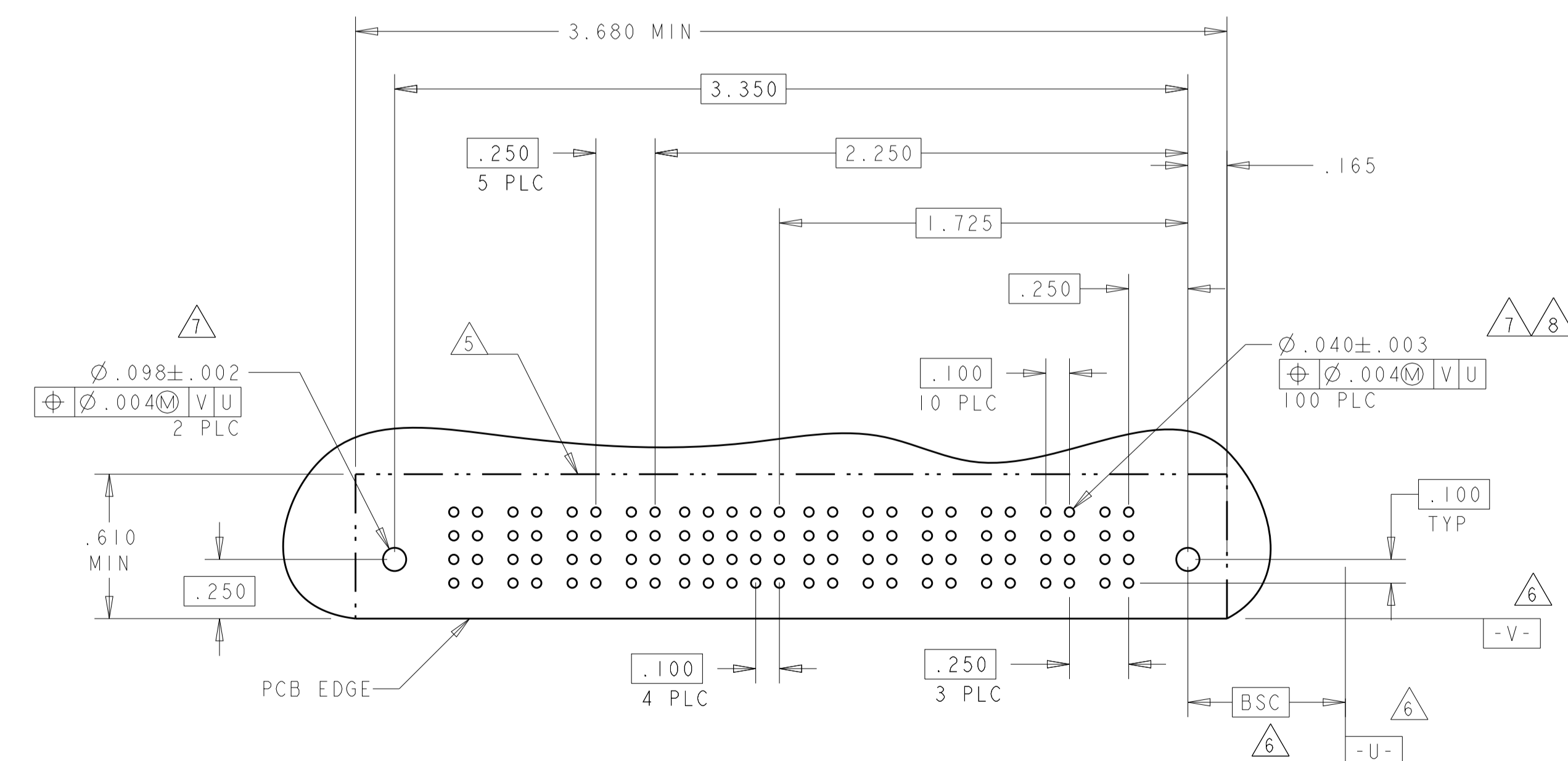
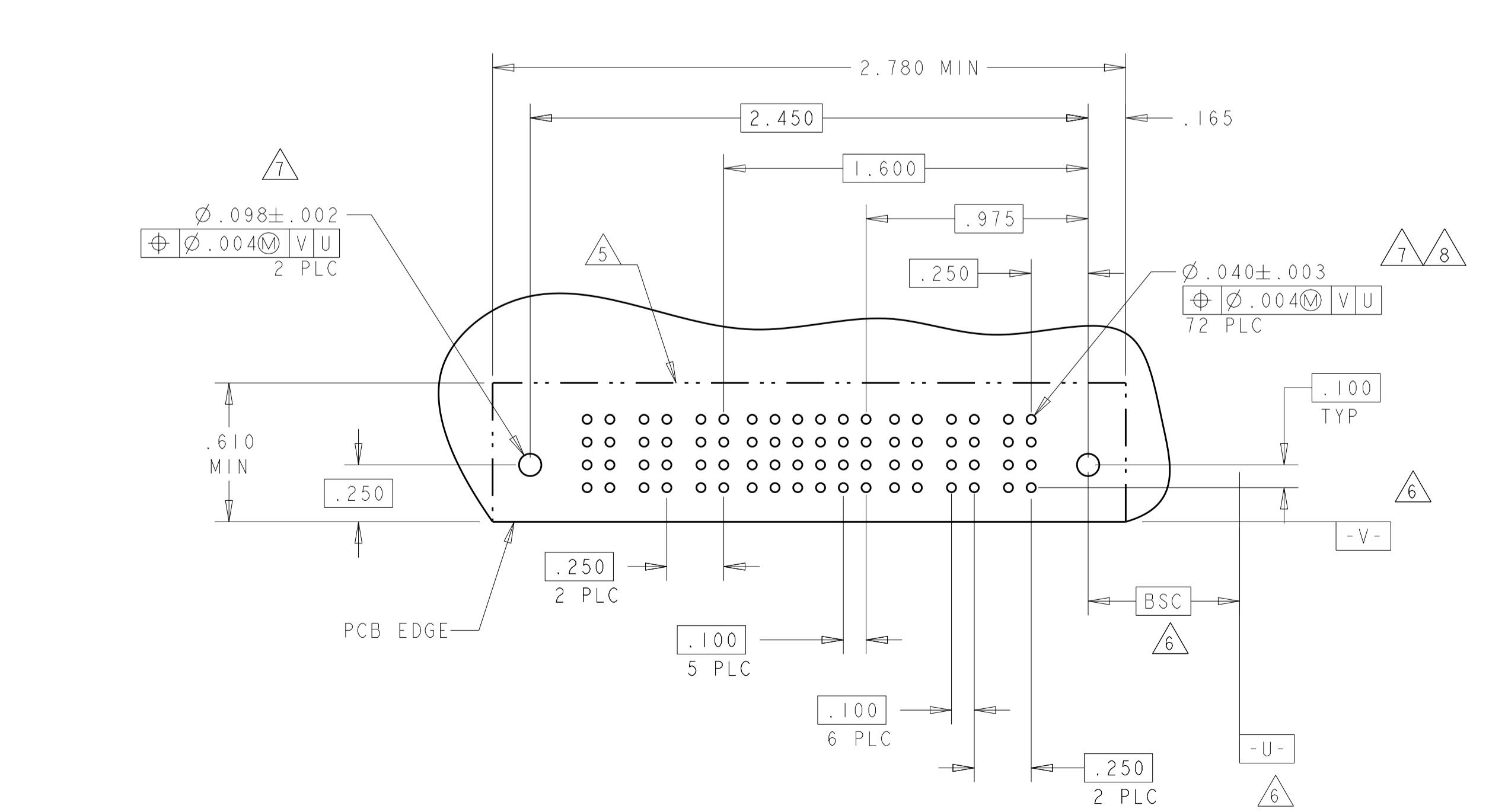
| PART NUMBER | ROWS             | POWER |     |     |     |     |     |     |     |     | SIGNAL |    |    |    |    |    |    |    |    |    | POWER |    |    |   |   |   |   |   |   |   |   |   |     |    |    |    |    |    |    |    |    |    |    |    |    |    |   |
|-------------|------------------|-------|-----|-----|-----|-----|-----|-----|-----|-----|--------|----|----|----|----|----|----|----|----|----|-------|----|----|---|---|---|---|---|---|---|---|---|-----|----|----|----|----|----|----|----|----|----|----|----|----|----|---|
|             |                  | P20   | P19 | P18 | P17 | P16 | P15 | P14 | P13 | P12 | P11    | 21 | 20 | 19 | 18 | 17 | 16 | 15 | 14 | 13 | 12    | 11 | 10 | 9 | 8 | 7 | 6 | 5 | 4 | 3 | 2 | 1 | P10 | P9 | P8 | P7 | P6 | P5 | P4 | P3 | P2 | P1 |    |    |    |    |   |
| 6450160-6   | D<br>C<br>B<br>A | RA    | RA  | RA  | RA  | RA  | RA  | RA  | RA  | RA  | H      | H  | H  | H  | H  | H  | H  | H  | H  | H  | H     | H  | H  | H | H | H | H | H | H | H | H | H | H   | H  | RA | RA | RA | RA | RA | RA | RA | RA | RA | RA | RA | RA |   |
|             |                  | G     | G   | G   | G   | G   | G   | G   | G   | G   | G      | F  | F  | F  | F  | F  | F  | F  | F  | F  | F     | F  | F  | F | F | F | F | F | F | F | F | F | F   | F  | F  | F  | F  | F  | F  | F  | F  | F  | F  | F  | F  | F  | F |
|             |                  | E     | E   | E   | E   | E   | E   | E   | E   | E   | E      | E  | E  | E  | E  | E  | E  | E  | E  | E  | E     | E  | E  | E | E | E | E | E | E | E | E | E | E   | E  | E  | E  | E  | E  | E  | E  | E  | E  | E  | E  | E  | E  | E |

| PART NUMBER | ROWS             | POWER |    |    |    |    | SIGNAL |   |   |   |   | POWER |    |    |    |
|-------------|------------------|-------|----|----|----|----|--------|---|---|---|---|-------|----|----|----|
|             |                  | P8    | P7 | P6 | P5 | P4 | 6      | 5 | 4 | 3 | 2 | 1     | P3 | P2 | P1 |
| 6450160-7   | D<br>C<br>B<br>A | RA    | RA | RA | RA | RA | H      | H | H | H | H | H     | RA | RA | RA |
|             |                  | G     | G  | G  | G  | G  | F      | F | F | F | F | F     | F  | F  | F  |
|             |                  | E     | E  | E  | E  | E  | E      | E | E | E | E | E     | E  | E  | E  |



| PART NUMBER | ROWS             | POWER |    |    |    | SIGNAL |   |   |   | POWER |   |    |    |    |
|-------------|------------------|-------|----|----|----|--------|---|---|---|-------|---|----|----|----|
|             |                  | P6    | P5 | P4 | P3 | 6      | 5 | 4 | 3 | 2     | 1 | P3 | P2 | P1 |
| 6450160-8   | D<br>C<br>B<br>A | RA    | RA | RA | RA | H      | H | H | H | H     | H | RA | RA | RA |
|             |                  | G     | G  | G  | G  | F      | F | F | F | F     | F | F  | F  | F  |
|             |                  | E     | E  | E  | E  | E      | E | E | E | E     | E | E  | E  | E  |

| PART NUMBER | ROWS             | POWER |    |    | SIGNAL |   |   | POWER |   |   |    |    |    |    |    |    |
|-------------|------------------|-------|----|----|--------|---|---|-------|---|---|----|----|----|----|----|----|
|             |                  | P10   | P9 | P8 | P7     | 5 | 4 | 3     | 2 | 1 | P6 | P5 | P4 | P3 | P2 | P1 |
| 6450160-9   | D<br>C<br>B<br>A | RA    | RA | RA | RA     | H | H | H     | H | H | RA | RA | RA | RA | RA | RA |
|             |                  | G     | G  | G  | G      | F | F | F     | F | F | F  | F  | F  | F  | F  | F  |
|             |                  | E     | E  | E  | E      | E | E | E     | E | E | E  | E  | E  | E  | E  | E  |



THIS DRAWING IS A CONTROLLED DOCUMENT.

DIMENSIONS: INCHES

TOLERANCES UNLESS OTHERWISE SPECIFIED:  
 0 PLC ± .01  
 1 PLC ± .01  
 2 PLC ± .01  
 3 PLC ± .005  
 4 PLC ± .005  
 5 PLC ± .002  
 ANGLES ± .002

MATERIAL FINISH

DWN: R. GRZYBOWSKI, 21FEB05  
 CHK: M. PERCHERKE, 21FEB05  
 APVD: M. PERCHERKE, 21FEB05

PRODUCT SPEC: 108-1973  
 APPLICATION SPEC: 114-13038  
 WEIGHT: -

Customer Drawing

NAME: RIGHT ANGLE RECEPTACLE ASSEMBLY WITH GUIDES MULTI-BEAM XL

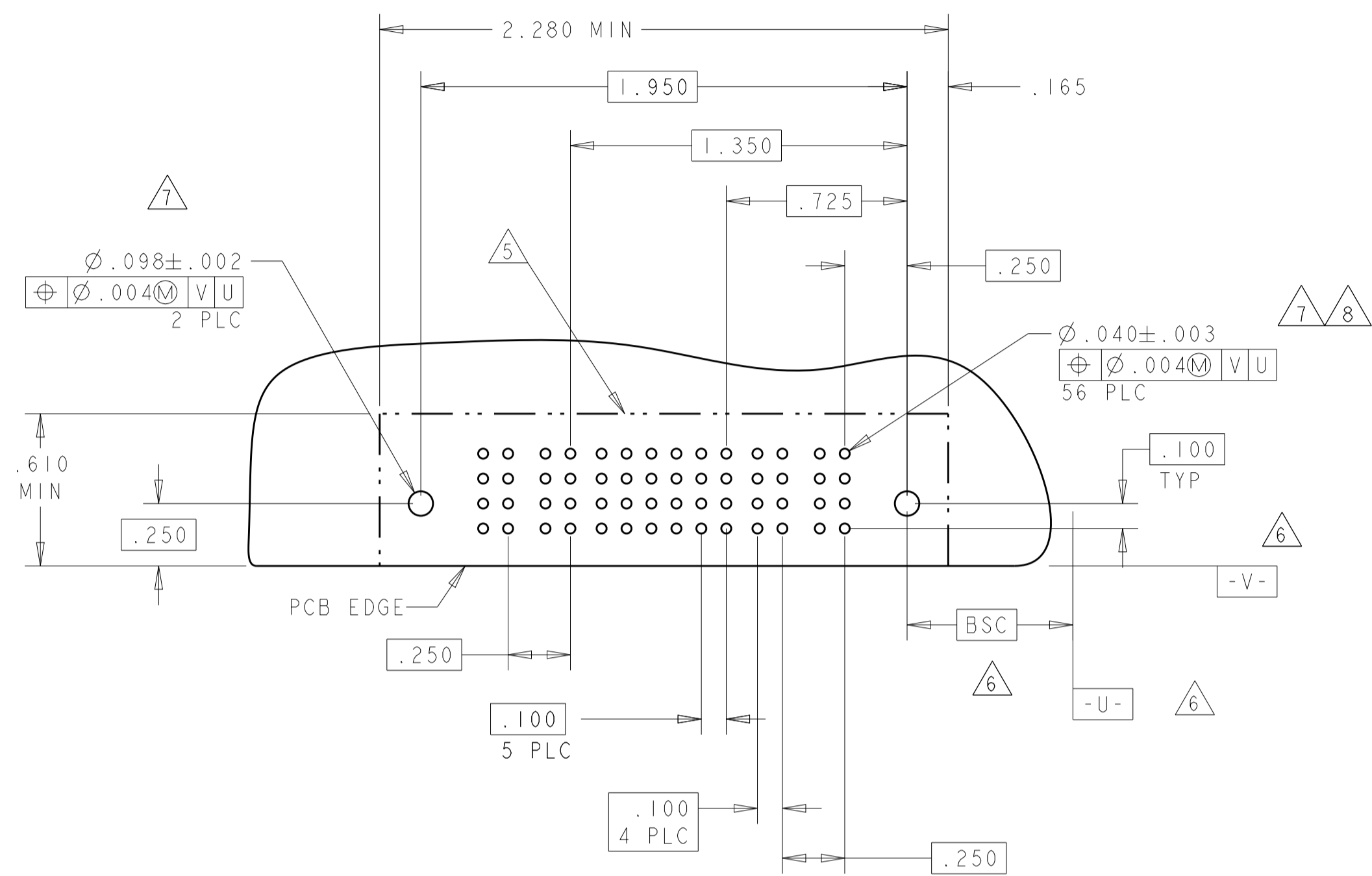
SIZE: A100779  
 CAGE CODE: -  
 DRAWING NO: 6450160

RESTRICTED TO: -

SCALE: 4:1  
 SHEET: 4 OF 16  
 REV: -G1

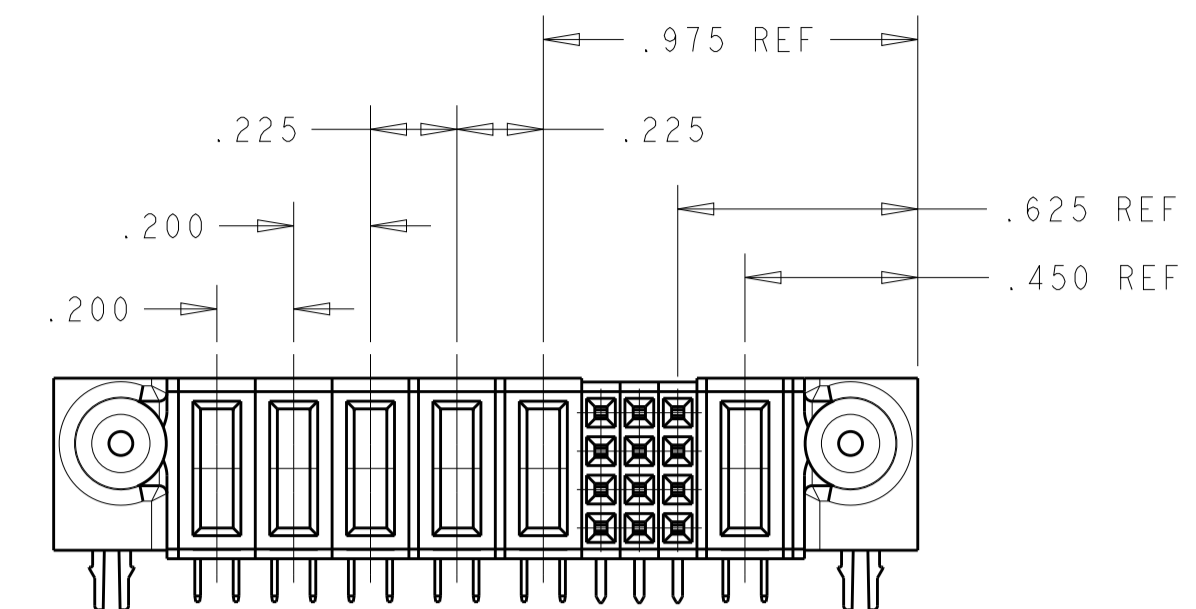
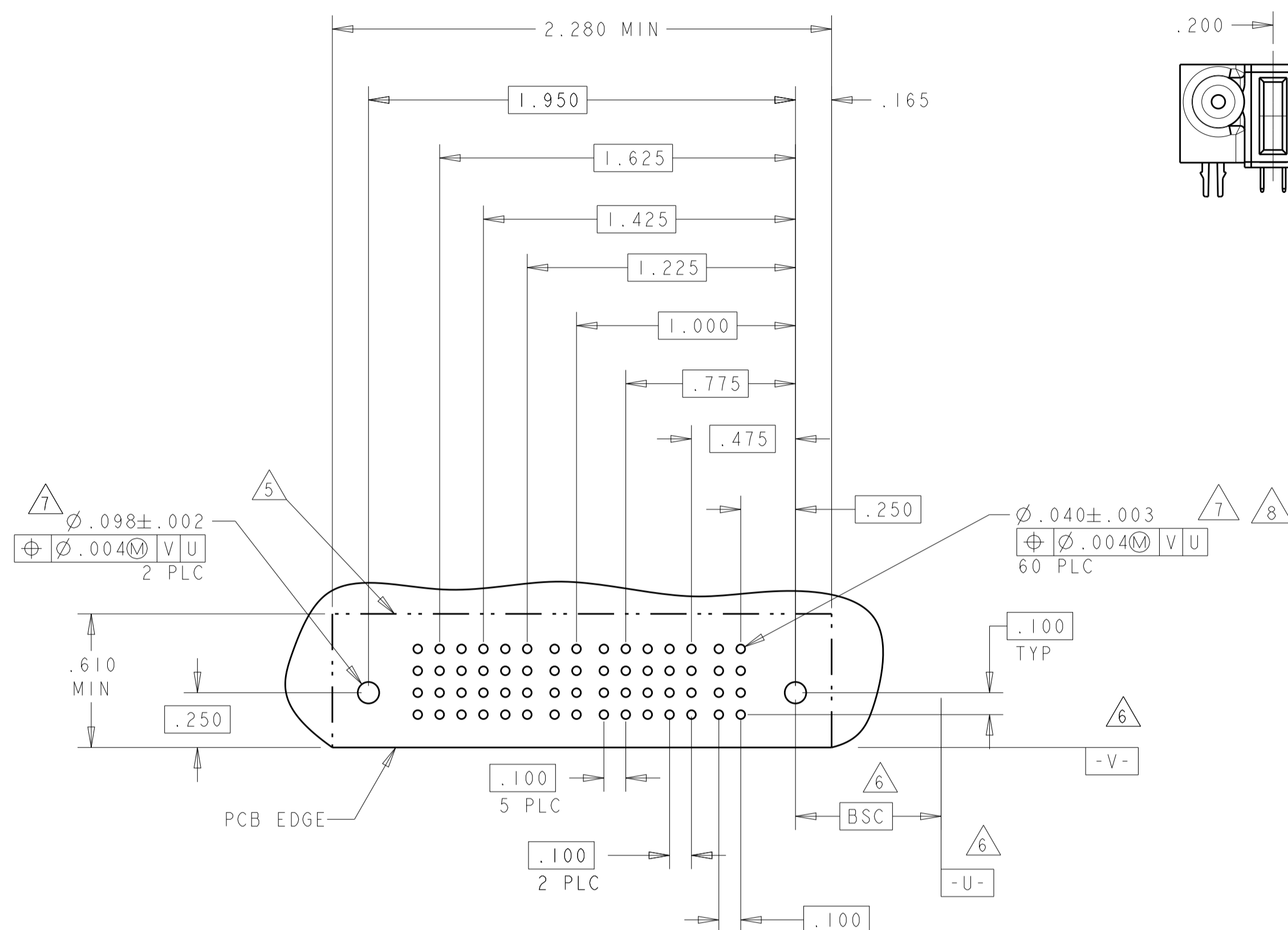
| PART NUMBER | ROWS             | POWER |    |    |    | SIGNAL |   |   |   | POWER |    |    |
|-------------|------------------|-------|----|----|----|--------|---|---|---|-------|----|----|
|             |                  | P4    | P3 | P6 | P5 | 6      | 5 | 4 | 3 | 2     | 1  | P2 |
| I-6450160-0 | D<br>C<br>B<br>A | RA    | RA | H  | H  | H      | H | H | H | H     | RA | RA |
|             |                  | RA    | RA | G  | G  | G      | G | G | G | G     | RA | RA |
|             |                  |       |    | F  | F  | F      | F | F | F |       |    |    |
|             |                  |       |    | E  | E  | E      | E | E | E |       |    |    |

2P + 24S + 2P



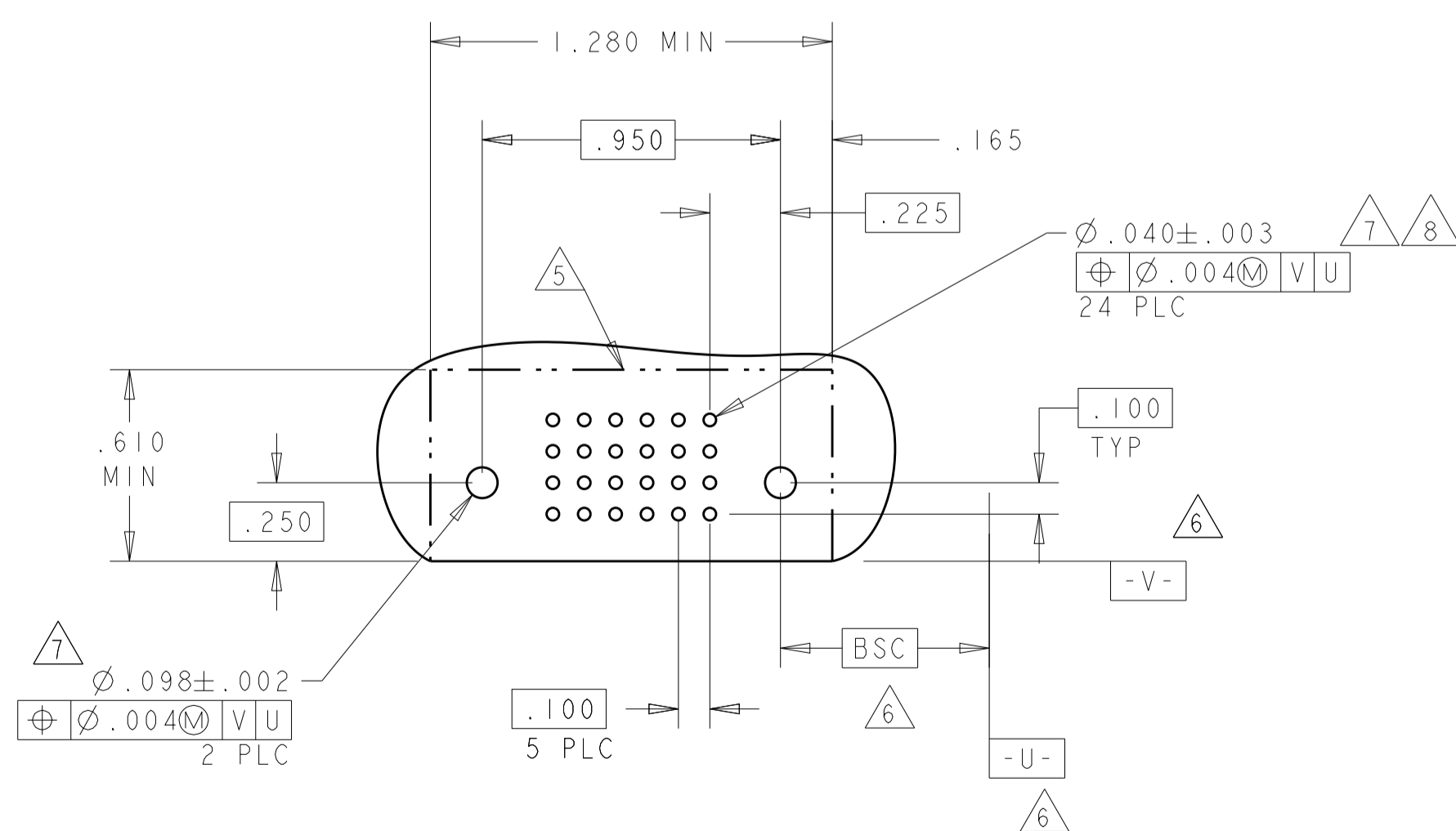
| PART NUMBER | ROWS             | POWER |    |    |    | SIGNAL POWER |   |   |   |    |
|-------------|------------------|-------|----|----|----|--------------|---|---|---|----|
|             |                  | P6    | P5 | P4 | P3 | P2           | 3 | 2 | 1 | P1 |
| I-6450160-1 | D<br>C<br>B<br>A | RA    | RA | RA | RA | H            | H | H | H | RA |
|             |                  | RA    | RA | RA | RA | G            | G | G | G | RA |
|             |                  |       |    |    |    | F            | F | F | F |    |
|             |                  |       |    |    |    | E            | E | E | E |    |

1P + 12S + 5P



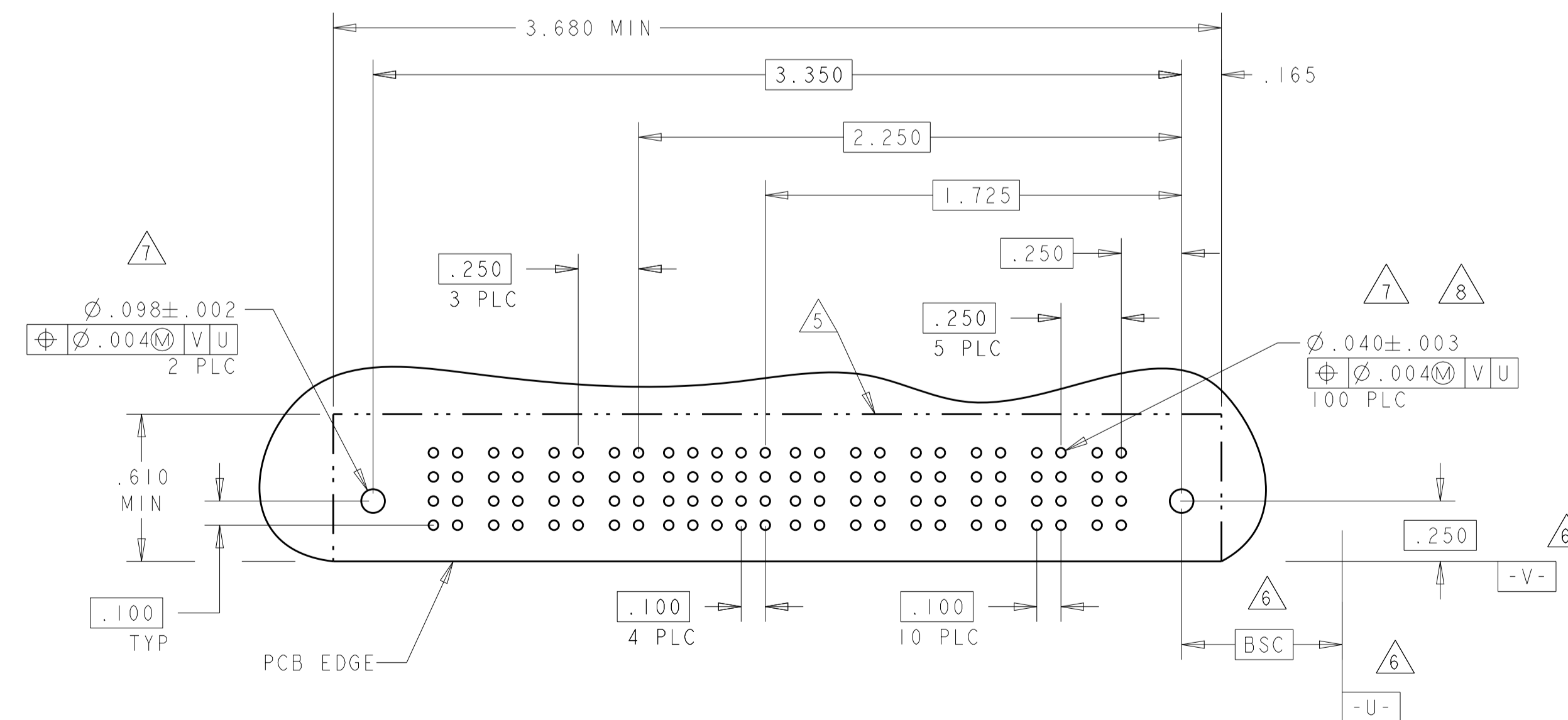
| PART NUMBER | ROWS             | SIGNAL |   |   |   |   |   |
|-------------|------------------|--------|---|---|---|---|---|
|             |                  | 6      | 5 | 4 | 3 | 2 | 1 |
| I-6450160-2 | D<br>C<br>B<br>A | L      | L | L | L | L | L |
|             |                  | K      | K | K | K | K | K |
|             |                  | J      | J | J | J | J | J |
|             |                  | I      | I | I | I | I | I |

0P + 24S + 0P



| PART NUMBER | ROWS             | POWER |    |    |    | SIGNAL |   |   |   | POWER |    |    |    |    |    |    |
|-------------|------------------|-------|----|----|----|--------|---|---|---|-------|----|----|----|----|----|----|
|             |                  | P10   | P9 | P8 | P7 | 5      | 4 | 3 | 2 | 1     | P6 | P5 | P4 | P3 | P2 | P1 |
| I-6450160-9 | D<br>C<br>B<br>A | RA    | RA | RA | RA | H      | H | H | H | H     | RA | RA | RA | RA | RA | RA |
|             |                  | RA    | RA | RA | RA | G      | G | G | G | G     | RA | RA | RA | RA | RA | RA |
|             |                  |       |    |    |    | F      | F | F | F | F     |    |    |    |    |    |    |
|             |                  |       |    |    |    | E      | E | E | E | E     |    |    |    |    |    |    |

6P + 20S + 4P



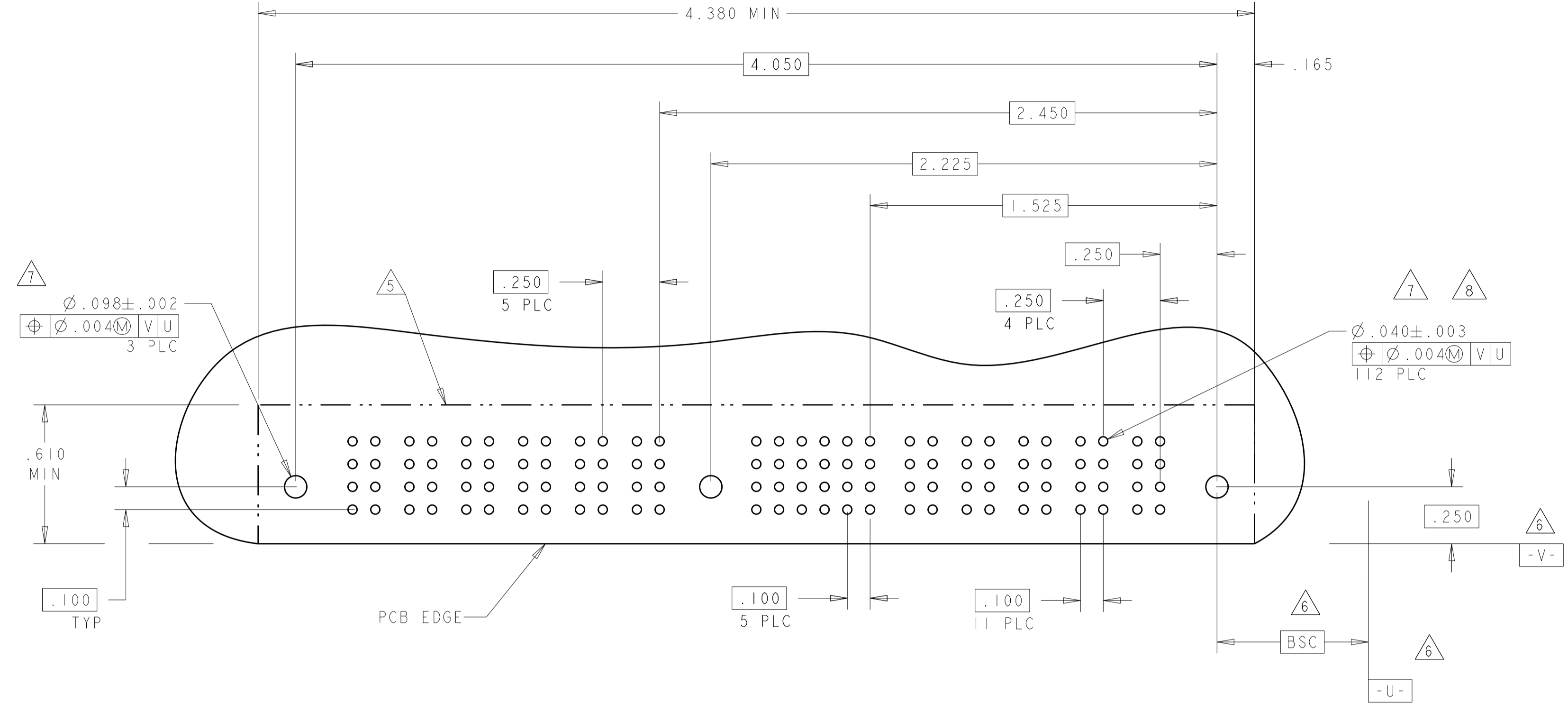
THIS DRAWING IS A CONTROLLED DOCUMENT. OWN: R. GRZYBOWSKI, CHK: M. PERCHERKE, APVD: M. PERCHERKE.

|                       |  |  |   |
|-----------------------|--|--|---|
| DIMENSIONS:<br>INCHES | TOLERANCES UNLESS OTHERWISE SPECIFIED:   | DWN: R. GRZYBOWSKI, CHK: M. PERCHERKE, APVD: M. PERCHERKE. | 21FEB05   |
|                       | 0 PLC ±.01<br>1 PLC ±.01<br>2 PLC ±.01<br>3 PLC ±.005<br>4 PLC ±.002<br>ANGLES ±.002 |  | 21FEB05   |
| MATERIAL              | FINISH   | PRODUCT SPEC   | NAME  |
| ***                   | ***  | 108-1973   | RIGHT ANGLE RECEPTACLE ASSEMBLY WITH GUIDES MULTI-BEAM XL |
|                       |  | 114-13038  | SIZE  |
|                       |  | Customer Drawing   | CAGE CODE DRAWING NO                                      |
|                       |  |  | A100779   |
|                       |  |  | SCALE   |
|                       |  |  | 4:1   |
|                       |  |  | SHEET   |
|                       |  |  | 5 OF 16   |
|                       |  |  | REV   |
|                       |  |  | G1  |

| LOC | DIST | REVISIONS   |      |     |      |
|-----|------|-------------|------|-----|------|
| P   | LTN  | DESCRIPTION | DATE | OWN | APVD |
| GP  | 00   | SEE SHEET 1 |      |     |      |

| PART NUMBER | ROWS             | POWER |     |    |    |    | SIGNAL |    |   |   |   | POWER |   |    |    |    |    |    |
|-------------|------------------|-------|-----|----|----|----|--------|----|---|---|---|-------|---|----|----|----|----|----|
|             |                  | P11   | P10 | P9 | P8 | P7 | P6     | M1 | 6 | 5 | 4 | 3     | 2 | 1  | P5 | P4 | P3 | P2 |
| 2-6450160-0 | D<br>C<br>B<br>A | RA    | RA  | RA | RA | RA | RA     | H  | H | H | H | H     | H | RA | RA | RA | RA | RA |
|             |                  | HD    |     |    |    |    | HD     | E  | E | E | E | E     | E |    |    |    |    |    |

5P + 24S + 1M + 6P

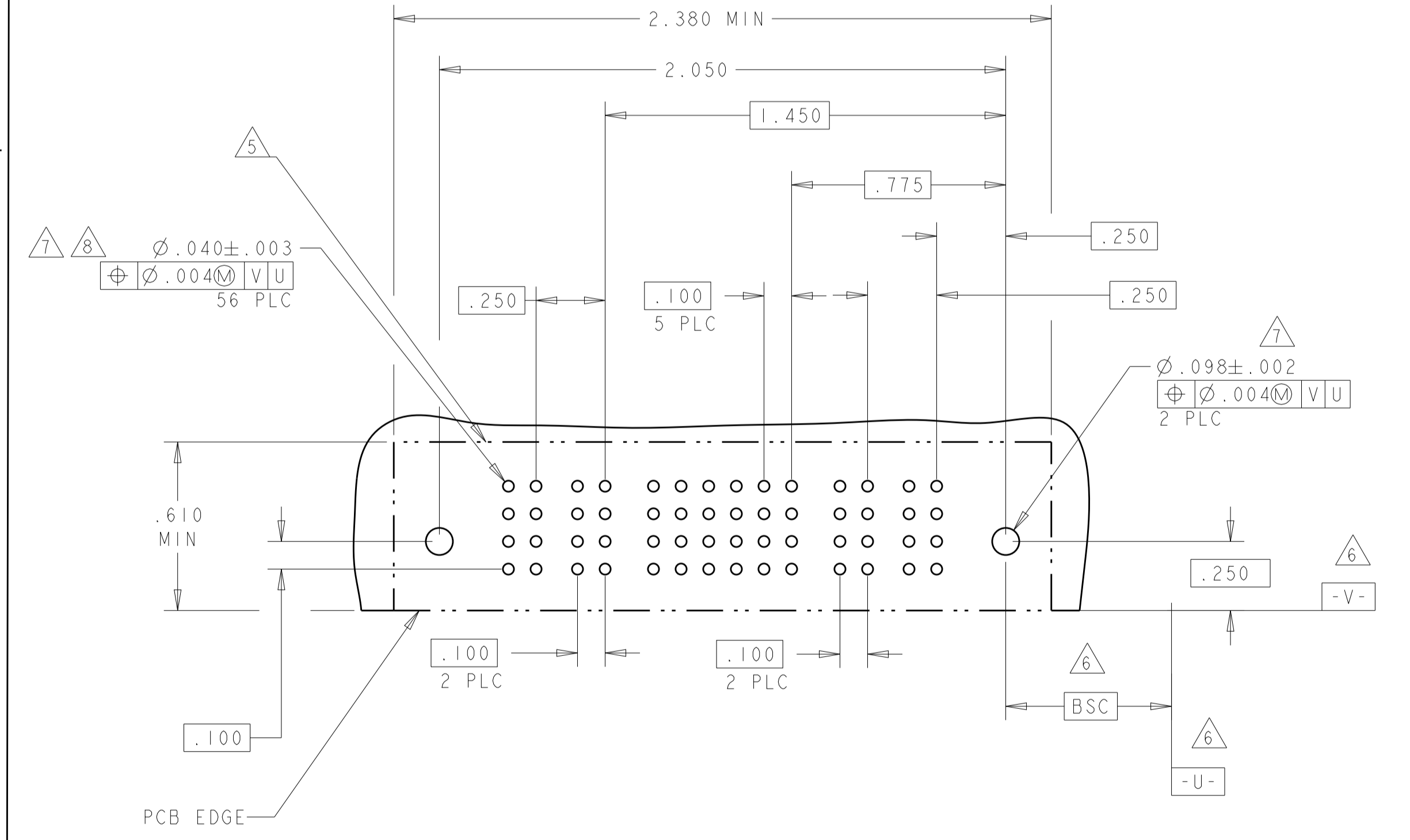


| PART NUMBER | ROWS             | POWER |    | SIGNAL |   |   |   |   | POWER |    |    |
|-------------|------------------|-------|----|--------|---|---|---|---|-------|----|----|
|             |                  | P4    | P3 | 6      | 5 | 4 | 3 | 2 | 1     | P2 | P1 |
| 2-6450160-5 | D<br>C<br>B<br>A | RM    | RM | L      | L | L | L | L | L     | RM | RM |
|             |                  | HD    |    | J      | J | J | J | J | J     |    |    |
|             |                  |       |    | T      | T | T | T | T | T     |    |    |

2P + 24S + 2P

| PART NUMBER | ROWS             | POWER |    | SIGNAL |   |   |   |   | POWER |    |    |
|-------------|------------------|-------|----|--------|---|---|---|---|-------|----|----|
|             |                  | P4    | P3 | 6      | 5 | 4 | 3 | 2 | 1     | P2 | P1 |
| 4-6450160-5 | D<br>C<br>B<br>A | RM    | RM | H      | H | H | H | H | H     | RM | RM |
|             |                  | HD    |    | G      | G | G | G | G | G     |    |    |
|             |                  |       |    | F      | F | F | F | F | F     |    |    |
|             |                  |       |    | E      | E | E | E | E | E     |    |    |

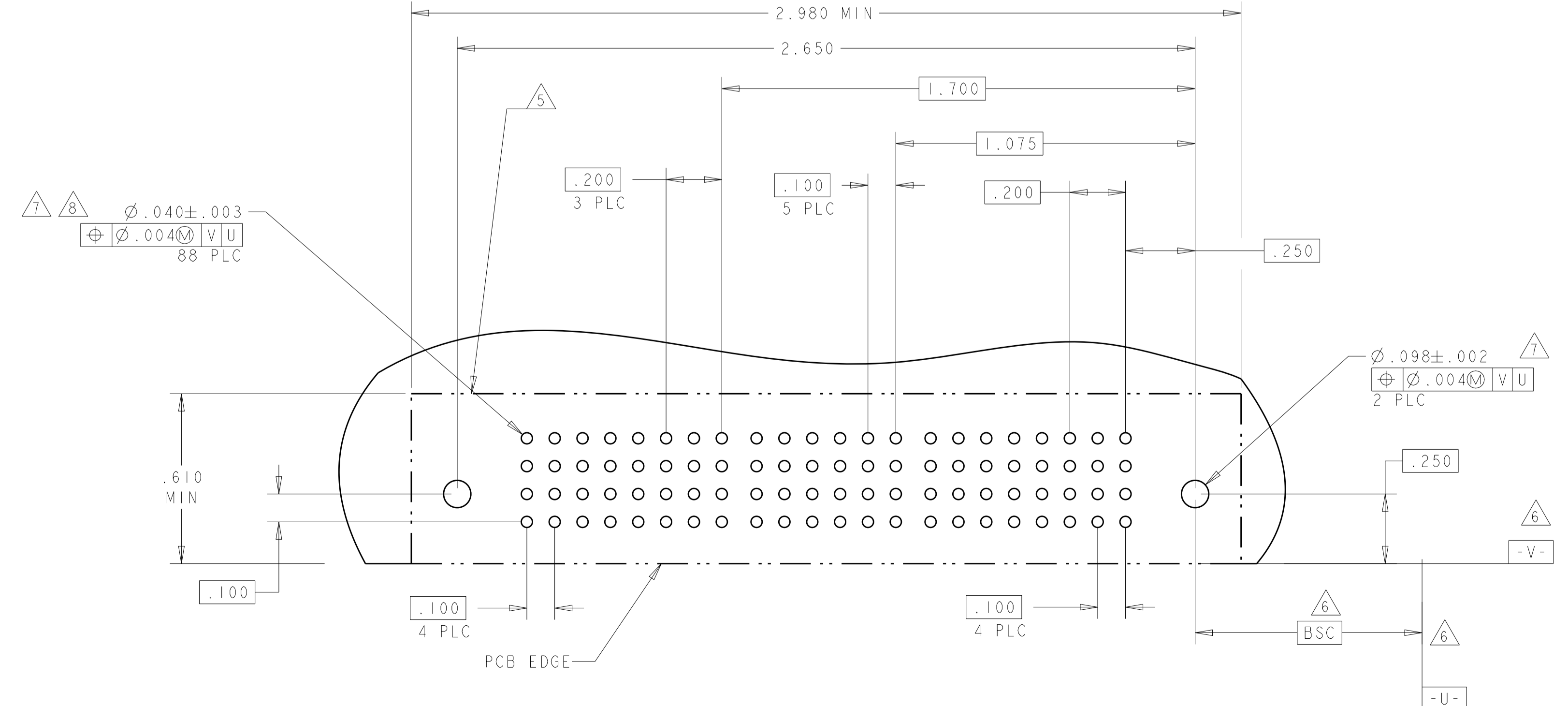
2P + 24S + 2P



2-6450160-5 AND 4-6450160-5 PCB LAYOUT

| PART NUMBER | ROWS             | POWER |    |    |    | SIGNAL |   |   |   |   | POWER |    |    |    |    |
|-------------|------------------|-------|----|----|----|--------|---|---|---|---|-------|----|----|----|----|
|             |                  | P8    | P7 | P6 | P5 | 6      | 5 | 4 | 3 | 2 | 1     | P4 | P3 | P2 | P1 |
| 2-6450160-6 | D<br>C<br>B<br>A | RM    | RM | RM | RM | H      | H | H | H | H | H     | RM | RM | RM | RM |
|             |                  | HD    |    |    |    | G      | G | G | G | G | G     |    |    |    |    |
|             |                  |       |    |    |    | F      | F | F | F | F | F     |    |    |    |    |
|             |                  |       |    |    |    | E      | E | E | E | E | E     |    |    |    |    |

4HDP + 24S + 4HDP



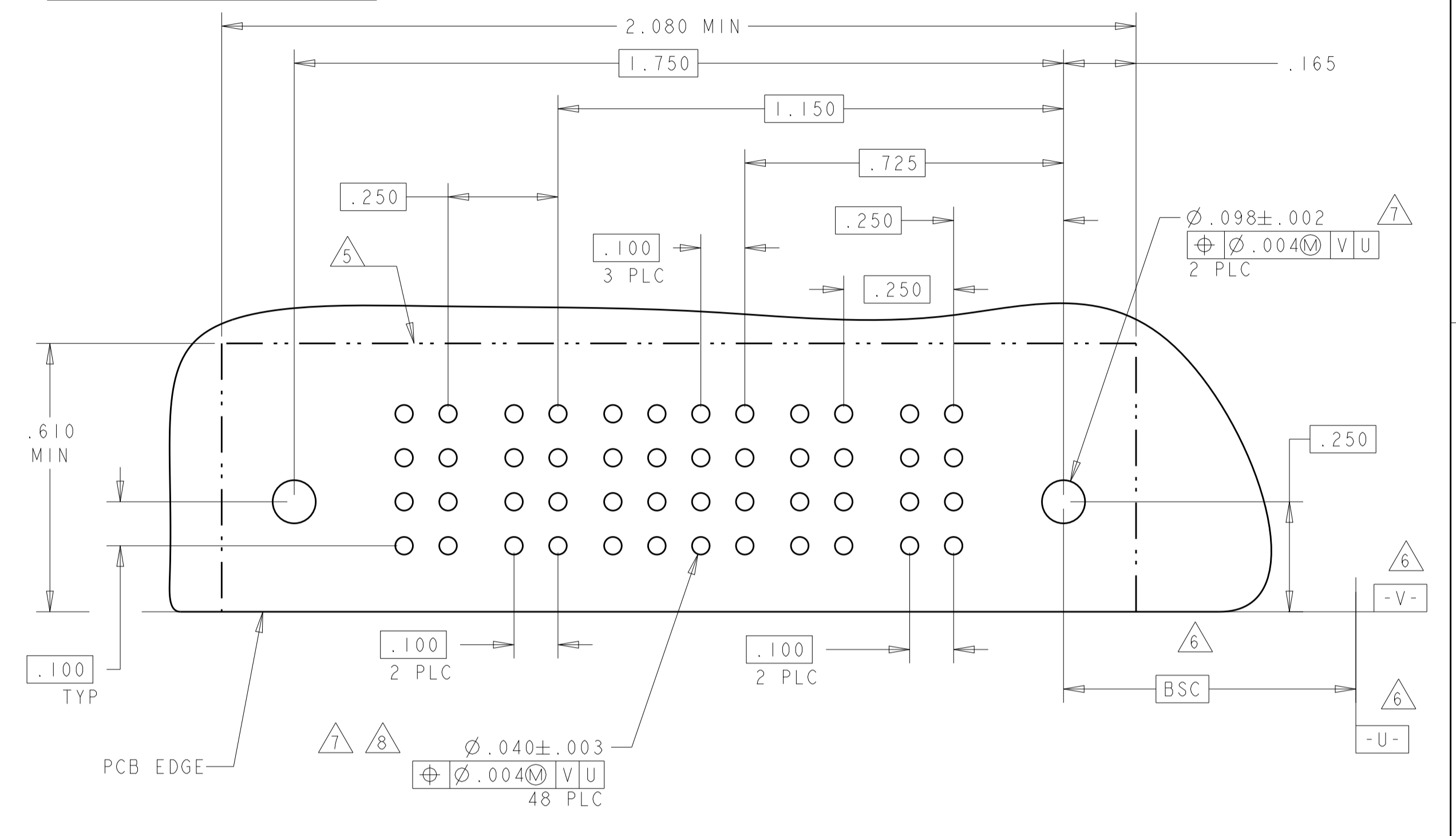
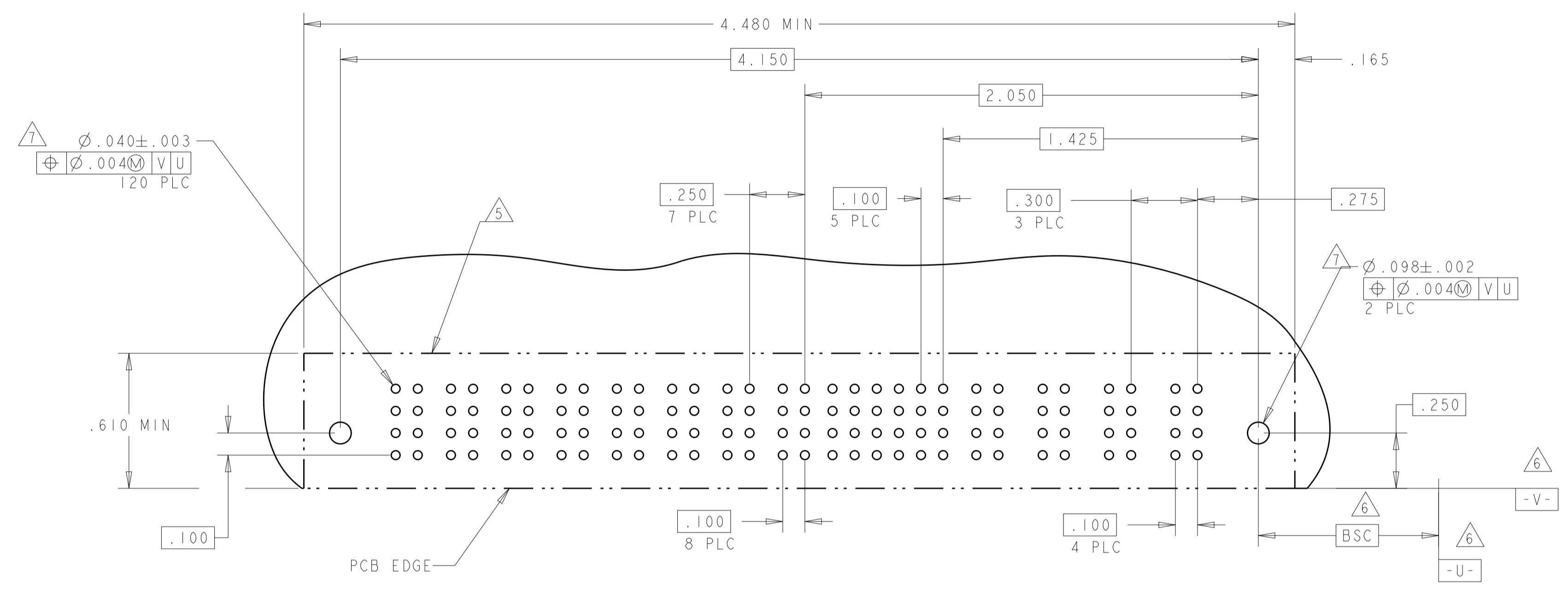
|  |  |                    |        |   |
|--|--|--------------------|--------|---|
| THIS DRAWING IS A CONTROLLED DOCUMENT. |  | OWN: R. GRZYBOWSKI | ZIFB05 | <br>TE Connectivity   |
| DIMENSIONS: INCHES                     |  | CHK: M. PERCHERKE  | ZIFB05 |   |
| TOLERANCES UNLESS OTHERWISE SPECIFIED: |  | APVD: M. PERCHERKE | ZIFB05 | NAME: RIGHT ANGLE RECEPTACLE ASSEMBLY WITH GUIDES MULTI-BEAM XL |
| 0 PLC ±.01                             |  | PRODUCT SPEC       |        | SIZE: 108-1973  |
| 1 PLC ±.01                             |  | APPLICATION SPEC   |        | SCALE: 4:1  |
| 2 PLC ±.005                            |  | WEIGHT             |        | SHEET 6 OF 16   |
| 3 PLC ±.002                            |  | CAGE CODE          |        | REV: G1   |
| 4 PLC ±.002                            |  | DRAWING NO         |        |   |
| ANGLES ±.002                           |  | CUSTOMER DRAWING   |        |   |

| PART NUMBER | ROWS             | POWER |     |     |    |    |    |    |    | SIGNAL |   |   |   |   |   | POWER |    |    |    |
|-------------|------------------|-------|-----|-----|----|----|----|----|----|--------|---|---|---|---|---|-------|----|----|----|
|             |                  | P12   | P11 | P10 | P9 | P8 | P7 | P6 | P5 | 6      | 5 | 4 | 3 | 2 | 1 | P4    | P3 | P2 | P1 |
| 2-6450160-9 | D<br>C<br>B<br>A | RM    | RM  | RM  | RM | RM | RM | RM | RM | H      | H | H | H | H | H | RM    | RM | RM | RM |
|             |                  |       |     |     |    |    |    |    |    | G      | G | G | G | G | G |       |    |    |    |
|             |                  |       |     |     |    |    |    |    |    | F      | F | F | F | F | F |       |    |    |    |
|             |                  |       |     |     |    |    |    |    |    | E      | E | E | E | E | E |       |    |    |    |

4ACP + 24S + 8P

| PART NUMBER | ROWS             | POWER |    | SIGNAL |   |   |   | POWER |    |
|-------------|------------------|-------|----|--------|---|---|---|-------|----|
|             |                  | P4    | P3 | 4      | 3 | 2 | 1 | P2    | P1 |
| 3-6450160-1 | D<br>C<br>B<br>A | RM    | RM | H      | H | H | H | RM    | RM |
|             |                  |       |    | G      | G | G | G |       |    |
|             |                  |       |    | F      | F | F | F |       |    |
|             |                  |       |    | E      | E | E | E |       |    |

2P + 16S + 2P

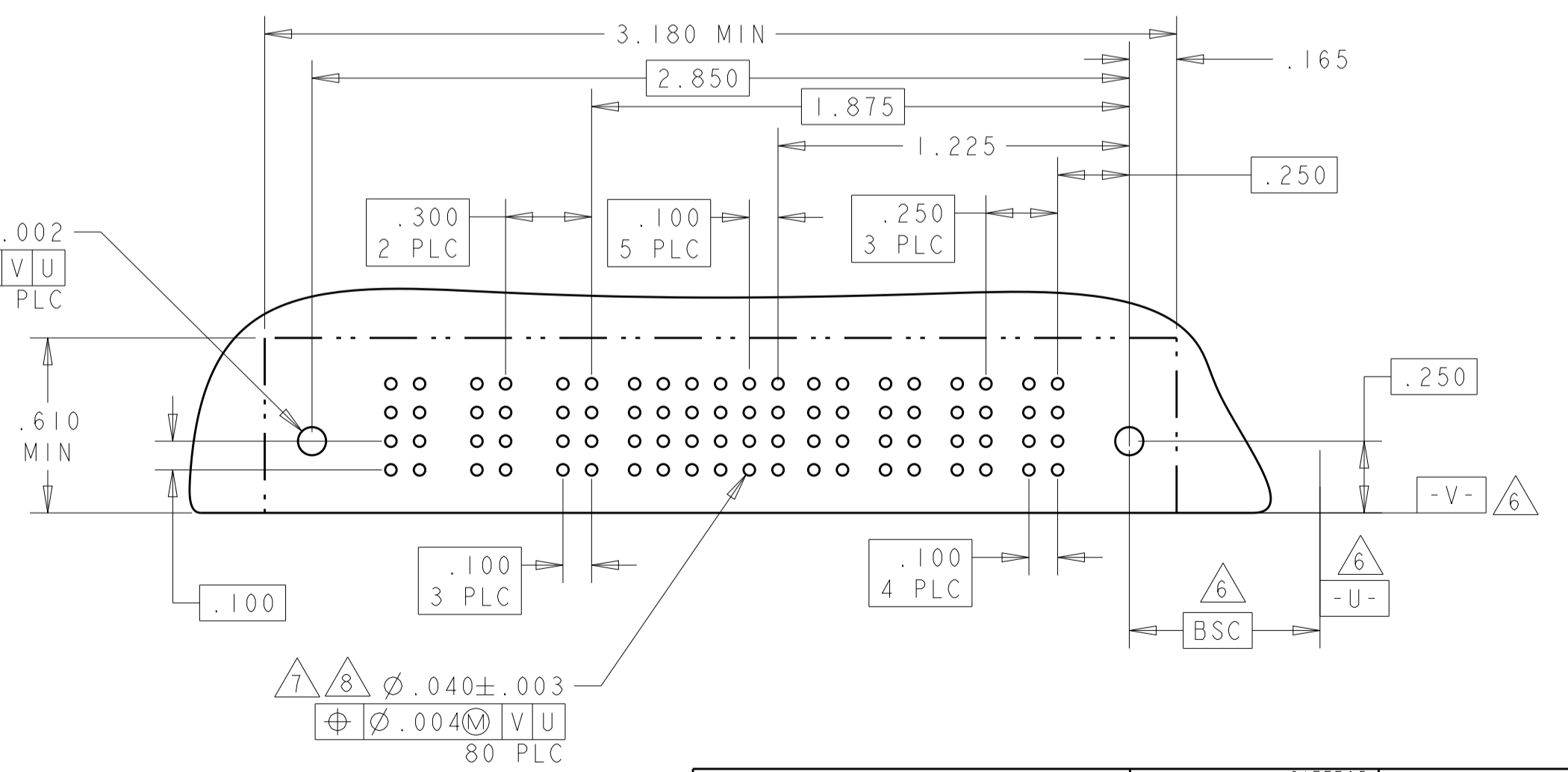
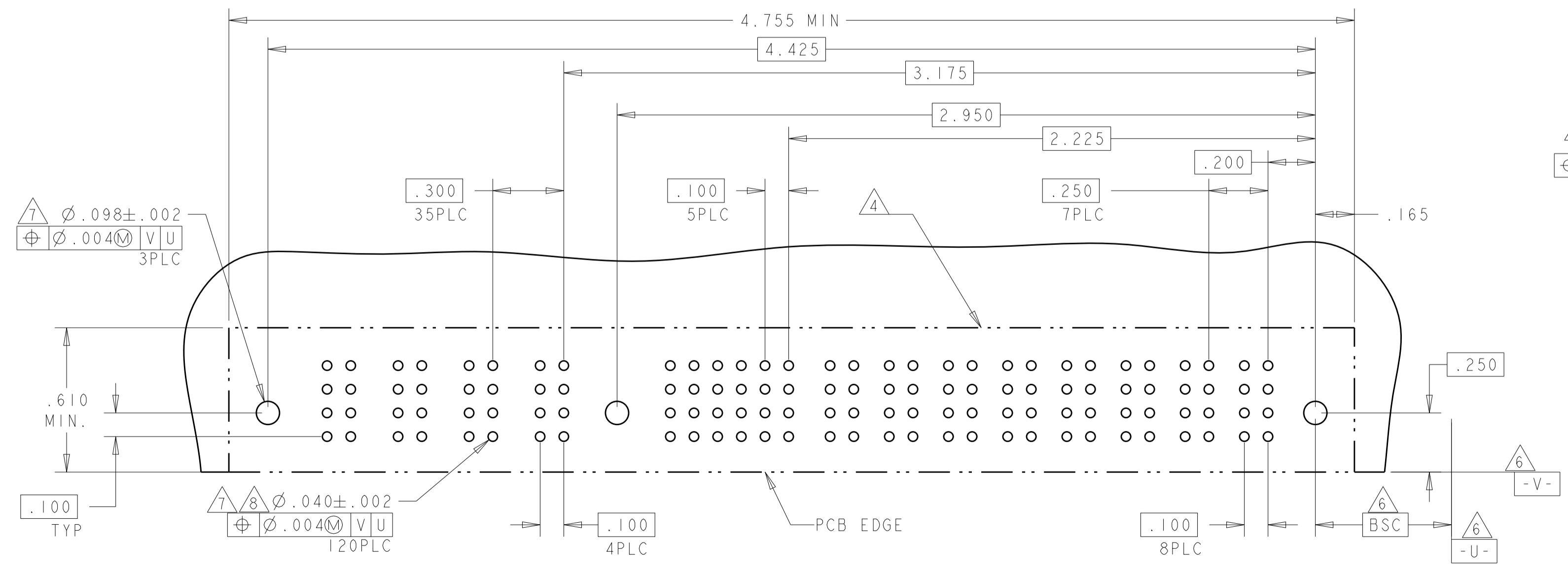


| PART NUMBER | ROWS             | POWER |     |     |    | SIGNAL |   |   |   |   |   | POWER |    |    |    |    |    |    |    |
|-------------|------------------|-------|-----|-----|----|--------|---|---|---|---|---|-------|----|----|----|----|----|----|----|
|             |                  | P12   | P11 | P10 | P9 | 6      | 5 | 4 | 3 | 2 | 1 | P8    | P7 | P6 | P5 | P4 | P3 | P2 | P1 |
| 3-6450160-0 | D<br>C<br>B<br>A | RM    | RM  | RM  | RM | H      | H | H | H | H | H | RM    | RM | RM | RM | RM | RM | RM | RM |
|             |                  |       |     |     |    | G      | G | G | G | G | G |       |    |    |    |    |    |    |    |
|             |                  |       |     |     |    | F      | F | F | F | F | F |       |    |    |    |    |    |    |    |
|             |                  |       |     |     |    | E      | E | E | E | E | E |       |    |    |    |    |    |    |    |

8P + 24S + 1M + 4ACP

| PART NUMBER | HOUSING P/N | ROWS             | POWER |    |    | SIGNAL |   |   |   |   |   | POWER |    |    |    |
|-------------|-------------|------------------|-------|----|----|--------|---|---|---|---|---|-------|----|----|----|
|             |             |                  | P7    | P6 | P5 | 6      | 5 | 4 | 3 | 2 | 1 | P4    | P3 | P2 | P1 |
| 3-6450160-2 | 3-1450190-2 | D<br>C<br>B<br>A | RM    | RM | RM | H      | H | H | H | H | H | RM    | RM | RM | RM |
|             |             |                  |       |    |    | G      | G | G | G | G | G |       |    |    |    |
|             |             |                  |       |    |    | F      | F | F | F | F | F |       |    |    |    |
|             |             |                  |       |    |    | E      | E | E | E | E | E |       |    |    |    |

4P + 24S + 3ACP



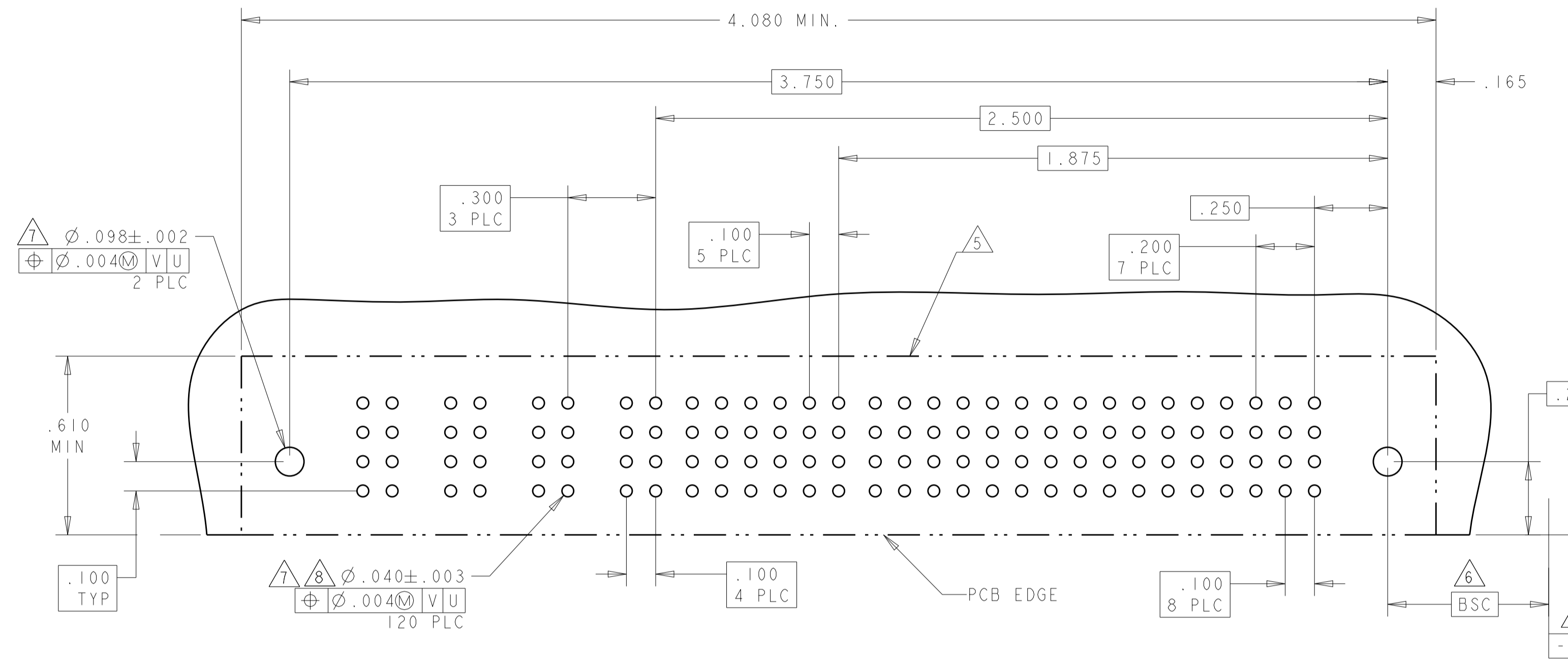
THIS DRAWING IS A CONTROLLED DOCUMENT.

|   |  |  |
|---|--|--|
| OWN: R. GRZYBOWSKI  | ZIFEB05                                | TE Connectivity  |
| CHK: M. PERCHERKE   | ZIFEB05                                |  |
| APPV: M. PERCHERKE  | ZIFEB05                                |  |
| NAME: RIGHT ANGLE RECEPTACLE ASSEMBLY WITH GUIDES MULTI-BEAM XL |  |  |
| DIMENSIONS: INCHES  | TOLERANCES UNLESS OTHERWISE SPECIFIED: | PRODUCT SPEC: 108-1973<br>APPLICATION SPEC: 114-13038<br>WEIGHT: -<br>SCALE: 3:1 |
| MATERIAL:   | FINISH:                                | SIZE: A100779<br>CAGE CODE: -<br>DRAWING NO: 6450160<br>SHEET 7 OF 16<br>REV: G1 |

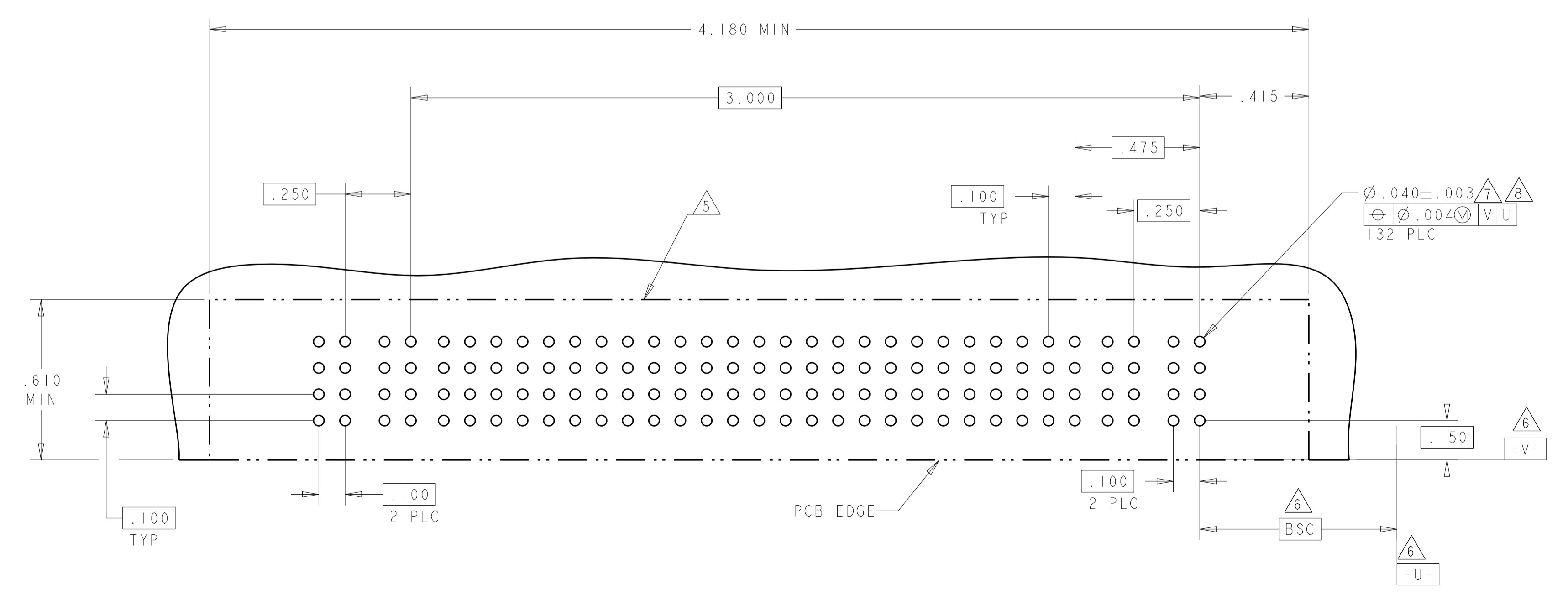
Customer Drawing

| LOC | DIST | REVISIONS   |      |     |      |
|-----|------|-------------|------|-----|------|
| P   | LTN  | DESCRIPTION | DATE | DWN | APVD |
| -   | -    | SEE SHEET 1 | -    | -   | -    |

| PART NUMBER     | ROWS             | POWER |     |     |    | SIGNAL |   |   |   |   |   |    |    | POWER |    |    |    |    |    |  |  |
|-----------------|------------------|-------|-----|-----|----|--------|---|---|---|---|---|----|----|-------|----|----|----|----|----|--|--|
|                 |                  | P12   | P11 | P10 | P9 | 6      | 5 | 4 | 3 | 2 | 1 | P8 | P7 | P6    | P5 | P4 | P3 | P2 | P1 |  |  |
| 3-6450160-3     | D<br>C<br>B<br>A | RM    | RM  | RM  | RM | H      | H | H | H | H | H | RM | RM | RM    | RM | RM | RM | RM | RM |  |  |
|                 |                  | RM    | RM  | RM  | RM | G      | G | G | G | G | G | RM | RM | RM    | RM | RM | RM | RM | RM |  |  |
|                 |                  | RM    | RM  | RM  | RM | F      | F | F | F | F | F | RM | RM | RM    | RM | RM | RM | RM | RM |  |  |
|                 |                  | RM    | RM  | RM  | RM | E      | E | E | E | E | E | RM | RM | RM    | RM | RM | RM | RM | RM |  |  |
| 8P + 24S + 4ACP |                  |       |     |     |    |        |   |   |   |   |   |    |    |       |    |    |    |    |    |  |  |



| PART NUMBER    | ROWS             | POWER |    | SIGNAL |    |    |    |    |    |    |    |    |    |    |    |    |    |    |    |   |   |   |   | POWER |   |   |   |   |    |    |    |
|----------------|------------------|-------|----|--------|----|----|----|----|----|----|----|----|----|----|----|----|----|----|----|---|---|---|---|-------|---|---|---|---|----|----|----|
|                |                  | P4    | P3 | 25     | 24 | 23 | 22 | 21 | 20 | 19 | 18 | 17 | 16 | 15 | 14 | 13 | 12 | 11 | 10 | 9 | 8 | 7 | 6 | 5     | 4 | 3 | 2 | 1 | P2 | P1 |    |
| 3-6450160-4    | D<br>C<br>B<br>A | RM    | RM | H      | H  | H  | H  | H  | H  | H  | H  | H  | H  | H  | H  | H  | H  | H  | H  | H | H | H | H | H     | H | H | H | H | H  | RM | RM |
|                |                  | RM    | RM | G      | G  | G  | G  | G  | G  | G  | G  | G  | G  | G  | G  | G  | G  | G  | G  | G | G | G | G | G     | G | G | G | G | G  | RM | RM |
|                |                  | RM    | RM | F      | F  | F  | F  | F  | F  | F  | F  | F  | F  | F  | F  | F  | F  | F  | F  | F | F | F | F | F     | F | F | F | F | F  | RM | RM |
|                |                  | RM    | RM | E      | E  | E  | E  | E  | E  | E  | E  | E  | E  | E  | E  | E  | E  | E  | E  | E | E | E | E | E     | E | E | E | E | E  | RM | RM |
| 2P + 100S + 2P |                  |       |    |        |    |    |    |    |    |    |    |    |    |    |    |    |    |    |    |   |   |   |   |       |   |   |   |   |    |    |    |



|  |  |                             |   |
|--|--|-----------------------------|---|
| THIS DRAWING IS A CONTROLLED DOCUMENT. |  | DWN: R. GRZYBOWSKI 21FEB05  | <b>STE</b> TE Connectivity                                      |
| DIMENSIONS: INCHES                     |  | CHK: M. PERCHERKE 21FEB05   |   |
| TOLERANCES UNLESS OTHERWISE SPECIFIED: |  | APVD: M. PERCHERKE 21FEB05  | NAME: RIGHT ANGLE RECEPTACLE ASSEMBLY WITH GUIDES MULTI-BEAM XL |
| 0 PLC ±.01                             |  | PRODUCT SPEC: 108-1973      |   |
| 1 PLC ±.01                             |  | APPLICATION SPEC: 114-13038 | SIZE: A100779 C=6450160   |
| 2 PLC ±.01                             |  | WEIGHT: -                   |   |
| 3 PLC ±.005                            |  | RESTRICTED TO: -            | SCALE: 3:1 SHEET 8 OF 16 REV: G1                                |
| 4 PLC ±.002                            |  | Customer Drawing            |   |
| ANGLES ±.2°                            |  |                             |   |

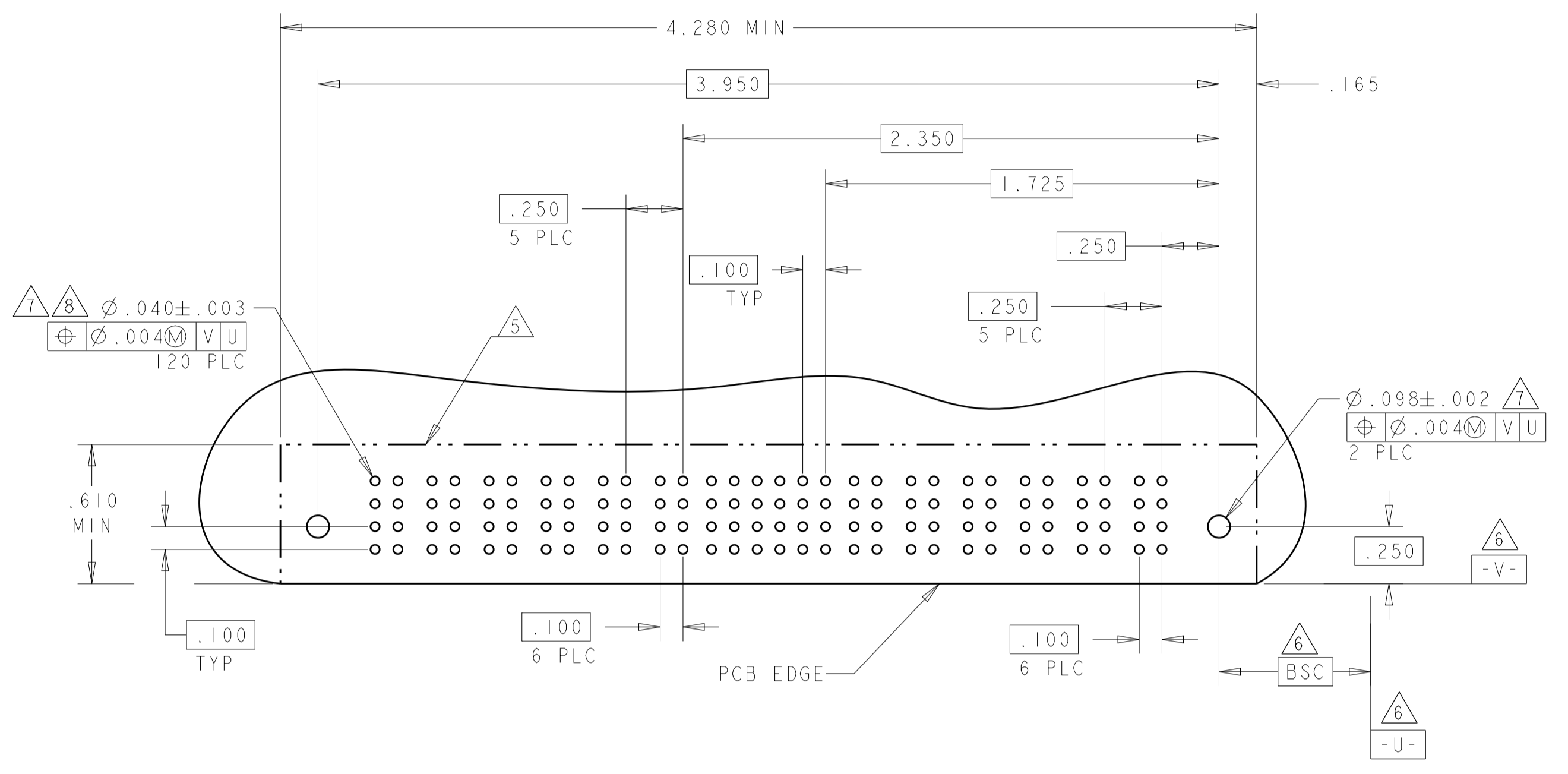


| LOC | DIST | REV | DATE | BY | APPV |
|-----|------|-----|------|----|------|
| GP  | 00   |     |      |    |      |

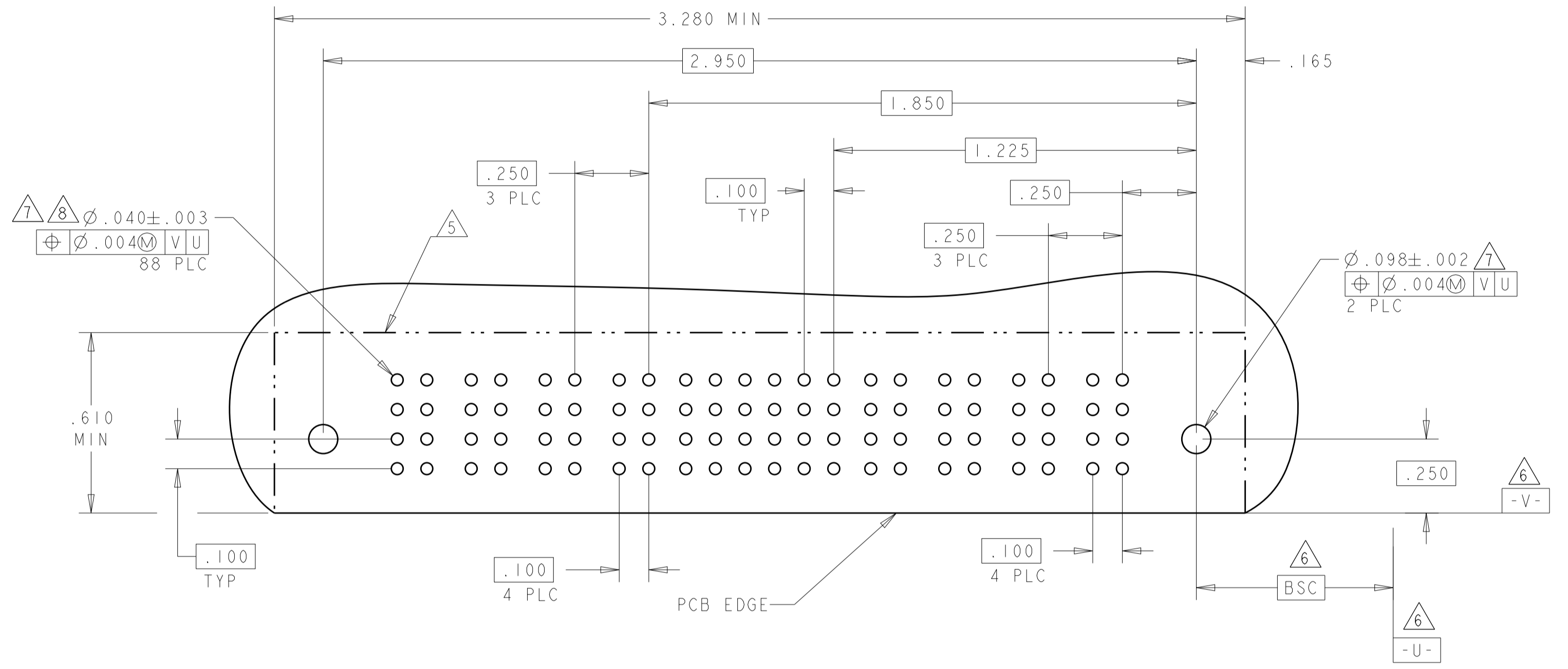
  

| REVISIONS   |      |    |      |
|-------------|------|----|------|
| REV         | DATE | BY | APPV |
| -           | -    | -  | -    |
| SEE SHEET 1 |      |    |      |

| PART NUMBER   | ROWS             | POWER |     |     |    |    | SIGNAL |   |   |   |   | POWER |    |    |    |    |    |    |  |  |  |      |  |
|---------------|------------------|-------|-----|-----|----|----|--------|---|---|---|---|-------|----|----|----|----|----|----|--|--|--|------|--|
|               |                  | P12   | P11 | P10 | P9 | P8 | 6      | 5 | 4 | 3 | 2 | 1     | P6 | P5 | P4 | P3 | P2 | P1 |  |  |  |      |  |
| 3-6450160-6   | D<br>C<br>B<br>A | RM    | RM  | RM  | RM | RM | H      | H | H | H | H | H     | RM | RM | RM | RM | RM | RM |  |  |  |      |  |
|               |                  | G     | G   | G   | G  | G  | F      | F | F | F | F | F     |    |    |    |    |    |    |  |  |  |      |  |
|               |                  | E     | E   | E   | E  | E  | E      | E | E | E | E | E     |    |    |    |    |    |    |  |  |  |      |  |
| 6P + 24S + 6P |                  | [HD]  |     |     |    |    |        |   |   |   |   |       |    |    |    |    |    |    |  |  |  | [HD] |  |



| PART NUMBER   | ROWS             | POWER |    |    |    | SIGNAL |   |   |   |   | POWER |    |    |    |    |  |  |      |  |
|---------------|------------------|-------|----|----|----|--------|---|---|---|---|-------|----|----|----|----|--|--|------|--|
|               |                  | P8    | P7 | P6 | P5 | 6      | 5 | 4 | 3 | 2 | 1     | P4 | P3 | P2 | P1 |  |  |      |  |
| 3-6450160-7   | D<br>C<br>B<br>A | RM    | RM | RM | RM | H      | H | H | H | H | H     | RM | RM | RM | RM |  |  |      |  |
|               |                  | G     | G  | G  | G  | F      | F | F | F | F | F     |    |    |    |    |  |  |      |  |
|               |                  | E     | E  | E  | E  | E      | E | E | E | E | E     |    |    |    |    |  |  |      |  |
| 4P + 24S + 4P |                  | [HD]  |    |    |    |        |   |   |   |   |       |    |    |    |    |  |  | [HD] |  |



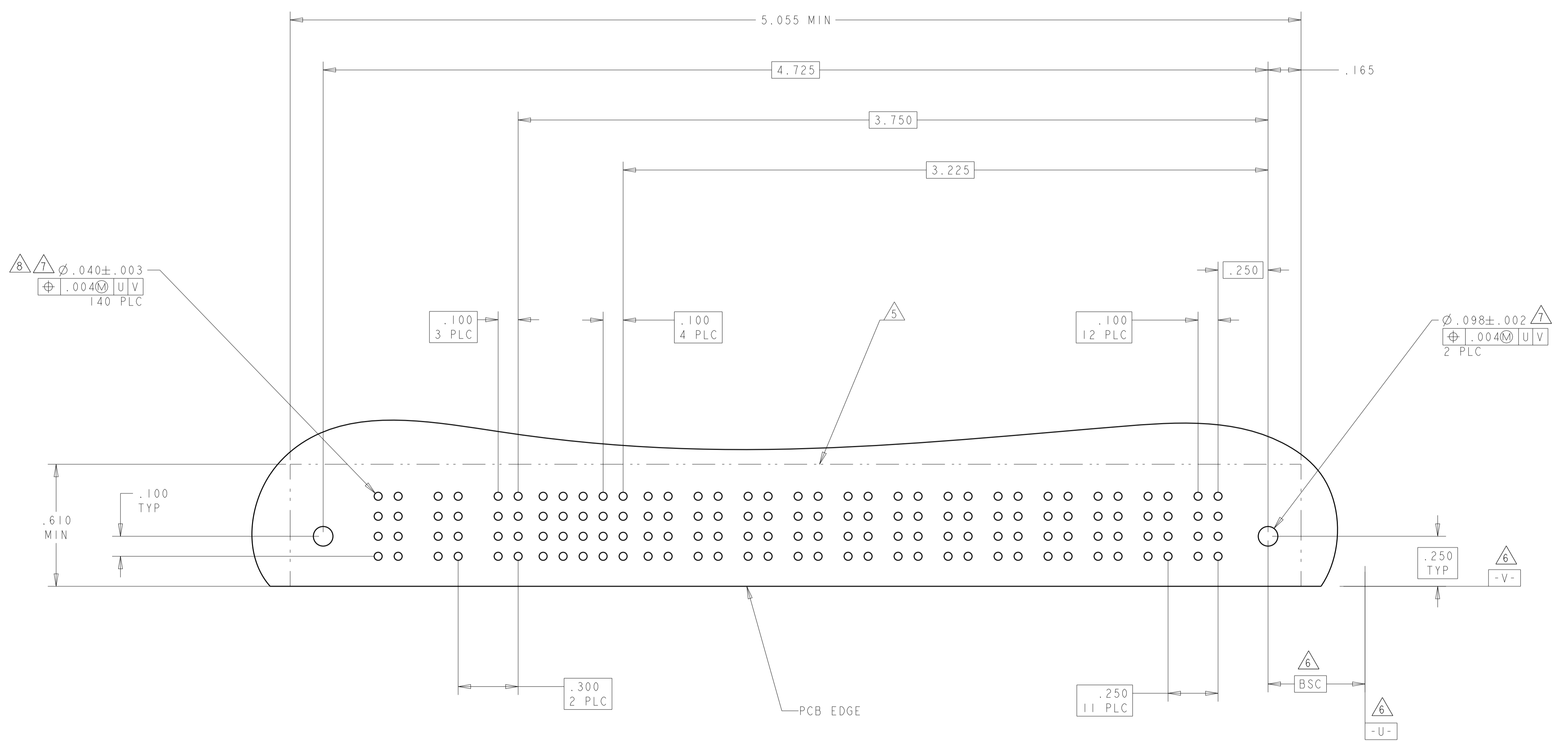
THIS DRAWING IS A CONTROLLED DOCUMENT.

|             |   |                             |   |
|-------------|---|-----------------------------|---|
| DIMENSIONS: | TOLERANCES UNLESS OTHERWISE SPECIFIED:  | OWN: R. GRZYBOWSKI 21FEB05  | NAME: RIGHT ANGLE RECEPTACLE ASSEMBLY WITH GUIDES MULTI-BEAM XL |
| INCHES      | 0 PLC ±.01<br>1 PLC ±.01<br>2 PLC ±.01<br>3 PLC ±.01<br>4 PLC ±.005<br>ANGLES ±.002 | CHK: M. PERCHERKE 21FEB05   | SIZE: A100779   |
| MATERIAL:   | FINISH: #2  | APVD: M. PERCHERKE 21FEB05  | CAGE CODE: 6450160  |
|             |   | PRODUCT SPEC: 108-1973      | RESTRICTED TO: -  |
|             |   | APPLICATION SPEC: 114-13038 | SCALE: 3:1  |
|             |   | WEIGHT: -                   | SHEET 9 OF 16   |
|             |   | Customer Drawing            | REV: G1   |

4805 (3/11)

| LOC | DIST | REVISIONS   |      |     |      |
|-----|------|-------------|------|-----|------|
| P   | LTN  | DESCRIPTION | DATE | DMN | APVD |
| -   | -    | SEE SHEET 1 | -    | -   | -    |
|     |      |             |      |     |      |
|     |      |             |      |     |      |

| PART NUMBER      | ROWS             | AC POWER |     |     | SIGNAL |   |   |   |   | POWER |     |     |    |    |    |    |    |    |    |    |    |    |    |
|------------------|------------------|----------|-----|-----|--------|---|---|---|---|-------|-----|-----|----|----|----|----|----|----|----|----|----|----|----|
|                  |                  | P15      | P14 | P13 | 5      | 4 | 3 | 2 | 1 | P12   | P11 | P10 | P9 | P8 | P7 | P6 | P5 | P4 | P3 | P2 | P1 |    |    |
| 1-6450160-8      | D<br>C<br>B<br>A | RA       | RA  | RA  | H      | H | H | H | H | RA    | RA  | RA  | RA | RA | RA | RA | RA | RA | RA | RA | RA | RA | RA |
|                  |                  |          |     |     | G      | G | G | G | G |       |     |     |    |    |    |    |    |    |    |    |    |    |    |
|                  |                  |          |     |     | F      | F | F | F | F |       |     |     |    |    |    |    |    |    |    |    |    |    |    |
|                  |                  |          |     |     | E      | E | E | E | E |       |     |     |    |    |    |    |    |    |    |    |    |    |    |
| 12P + 20S + 3ACP |                  |          |     |     |        |   |   |   |   |       |     |     |    |    |    |    |    |    |    |    |    |    |    |



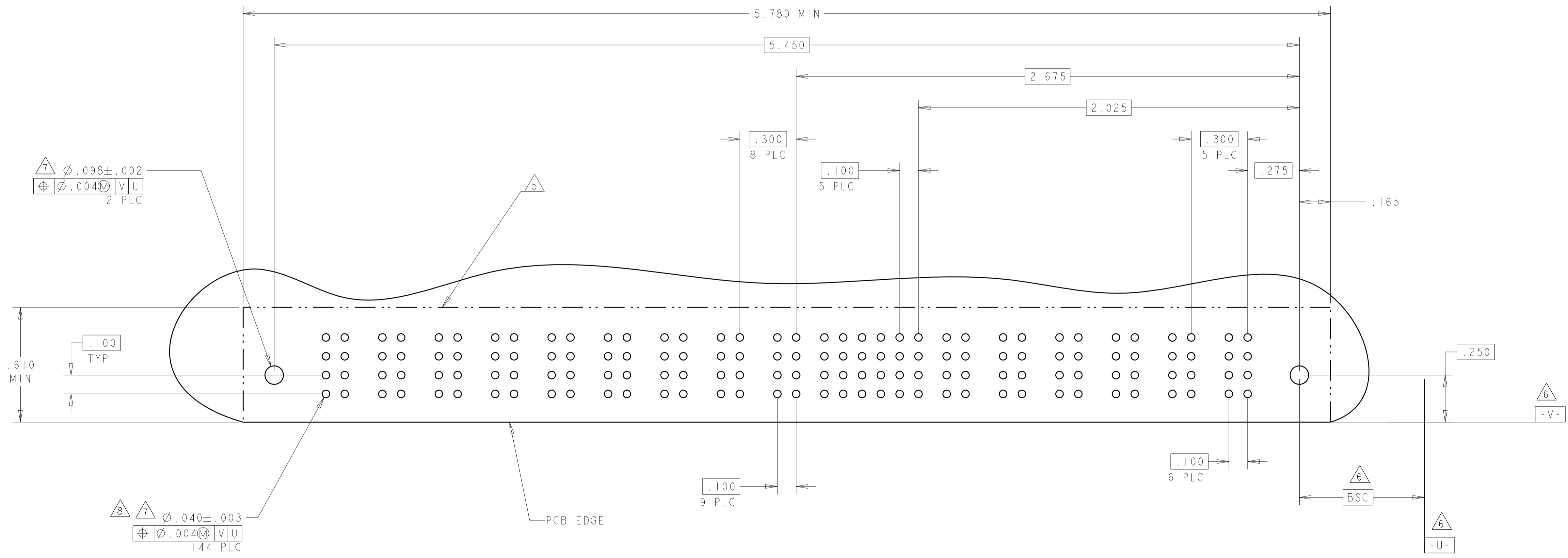
THIS DRAWING IS A CONTROLLED DOCUMENT.

|                       |   |                             |   |
|-----------------------|---|-----------------------------|---|
| DIMENSIONS:<br>INCHES | TOLERANCES UNLESS OTHERWISE SPECIFIED:<br>0 PLC ±.<br>1 PLC ±.01<br>2 PLC ±.01<br>3 PLC ±.005<br>4 PLC ±.002<br>ANGLES ±.2°<br>FINISH | DMN: R. GRZYBOWSKI 21FEB05  | NAME: RIGHT ANGLE RECEPTACLE ASSEMBLY WITH GUIDES MULTI-BEAM XL |
|                       |   | CHK: M. PERCHERKE 21FEB05   |   |
|                       |   | APVD: M. PERCHERKE 21FEB05  | SIZE: A100779C=6450160  |
| MATERIAL:             |   | PRODUCT SPEC: 108-1973      | RESTRICTED TO: -  |
|                       |   | APPLICATION SPEC: 114-13038 | SCALE: 3:1  |
|                       |   | WEIGHT: -                   | SHEET 10 OF 16  |
|                       |   | Customer Drawing            | REV: G1   |

4805 (3/11)

| LOC | DIST | REVISIONS   |      |     |      |
|-----|------|-------------|------|-----|------|
| P   | LTN  | DESCRIPTION | DATE | DMN | APVD |
| -   | -    | SEE SHEET 1 | -    | -   | -    |
|     |      |             |      |     |      |
|     |      |             |      |     |      |

| PART NUMBER   | ROWS             | POWER |     |     |     |     |     |    |    | SIGNAL |    |    |    |    | POWER |    |    |    |    | HD |    |    |    |  |  |  |  |  |
|---------------|------------------|-------|-----|-----|-----|-----|-----|----|----|--------|----|----|----|----|-------|----|----|----|----|----|----|----|----|--|--|--|--|--|
|               |                  | P15   | P14 | P13 | P12 | P11 | P10 | P9 | P8 | P7     | P6 | P5 | P4 | P3 | P2    | P1 | P6 | P5 | P4 |    | P3 | P2 | P1 |  |  |  |  |  |
| 3-6450160-8   | D<br>C<br>B<br>A |       |     |     |     |     |     |    |    |        | H  | H  |    | H  | H     |    |    |    |    |    |    |    |    |  |  |  |  |  |
|               |                  | RM    | RM  | RM  |     |     | RM  | RM | RM |        | G  | G  |    | G  | G     | RA |    |    |    |    |    |    |    |  |  |  |  |  |
|               |                  |       |     |     |     |     |     |    |    |        | F  | F  |    | F  | F     |    |    |    |    |    |    |    |    |  |  |  |  |  |
|               |                  |       |     |     |     |     |     |    |    |        | E  | E  |    | E  | E     |    |    |    |    |    |    |    |    |  |  |  |  |  |
| 6P + 24S + 9P |                  |       |     |     |     |     |     |    |    |        |    |    |    |    |       |    |    |    |    |    |    |    |    |  |  |  |  |  |



THIS DRAWING IS A CONTROLLED DOCUMENT.

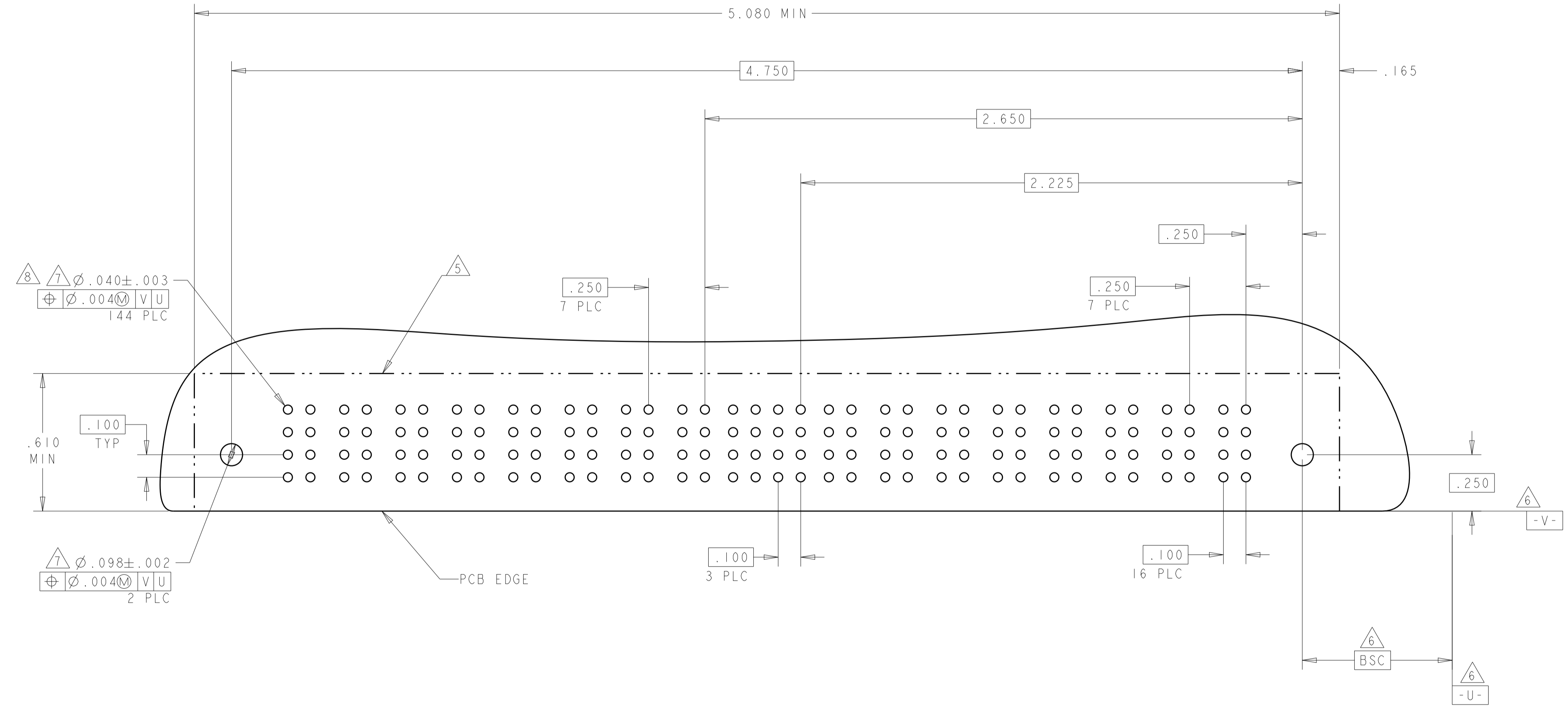
|                  |  |                            |                             |                            |   |
|------------------|--|----------------------------|-----------------------------|----------------------------|---|
| DIMENSIONS:      | TOLERANCES UNLESS OTHERWISE SPECIFIED:   | DMN: R. GRZYBOWSKI 21FEB05 | CHK: M. PERCHERKE 21FEB05   | APVD: M. PERCHERKE 21FEB05 | NAME: RIGHT ANGLE RECEPTACLE ASSEMBLY WITH GUIDES MULTI-BEAM XL |
| INCHES           | 0 PLC ±<br>1 PLC ±.01<br>2 PLC ±.01<br>3 PLC ±.005<br>4 PLC ±.002<br>ANGLES ±.2° | PRODUCT SPEC: 108-1973     | APPLICATION SPEC: 114-13038 | WEIGHT: -                  | RESTRICTED TO: -  |
| MATERIAL:        | FINISH:  | SIZE: A100779              | CAGE CODE: C=6450160        | SCALE: 3:1                 | SHEET 11 OF 16  |
| Customer Drawing |  | REV: G1                    |                             |                            |   |


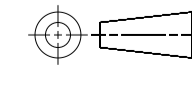
4805 (3/11)

| LOC | DIST | REVISIONS |     |             |      |     |      |
|-----|------|-----------|-----|-------------|------|-----|------|
| GP  | 00   | P         | LTN | DESCRIPTION | DATE | OWN | APVD |
|     |      | -         |     | SEE SHEET 1 | -    | -   | -    |
|     |      |           |     |             |      |     |      |
|     |      |           |     |             |      |     |      |

| PART NUMBER   | ROWS | POWER |     |     |     |     |     |     | SIGNAL |   |   |   | POWER |    |    |    |    |    |    |    |    |
|---------------|------|-------|-----|-----|-----|-----|-----|-----|--------|---|---|---|-------|----|----|----|----|----|----|----|----|
|               |      | P16   | P15 | P14 | P13 | P12 | P11 | P10 | P9     | 4 | 3 | 2 | 1     | P8 | P7 | P6 | P5 | P4 | P3 | P2 | P1 |
| 3-6450160-9   | D    |       |     |     |     |     |     |     |        | H | H | H | H     |    |    |    |    |    |    |    |    |
|               | C    |       |     |     |     |     |     |     |        | G | G | G | G     | RM | RM | RM | RM | RM | RM | RM | RM |
|               | B    |       |     |     |     |     |     |     |        | F | F | F | F     |    |    |    |    |    |    |    |    |
|               | A    | HD    |     |     |     |     |     |     |        | E | E | E | E     |    |    |    |    |    |    |    | HD |
| 8P + 16S + 8P |      |       |     |     |     |     |     |     |        |   |   |   |       |    |    |    |    |    |    |    |    |

D5



|   |  |  |   |
|---|--|--|---|
| THIS DRAWING IS A CONTROLLED DOCUMENT.  |  | OWN: R. GRZYBOWSKI 21FEB05<br>CHK: M. PERCHERKE 21FEB05<br>APVD: M. PERCHERKE 21FEB05  |  TE Connectivity<br><b>NAME</b> RIGHT ANGLE RECEPTACLE ASSEMBLY WITH GUIDES MULTI-BEAM XL<br><b>PRODUCT SPEC</b> 108-1973<br><b>APPLICATION SPEC</b> 114-13038<br><b>RESTRICTED TO</b> - |
| <b>DIMENSIONS:</b><br>INCHES<br> | <b>TOLERANCES UNLESS OTHERWISE SPECIFIED:</b><br>0 PLC ±<br>1 PLC ±.01<br>2 PLC ±.01<br>3 PLC ±.005<br>4 PLC ±.002<br>ANGLES ±2°<br>FINISH | <b>SIZE</b> A1<br><b>CAGE CODE</b> 100779<br><b>DRAWING NO</b> C=6450160<br><b>SCALE</b> 3:1<br><b>SHEET</b> 12 OF 16<br><b>REV</b> G1 |   |
| MATERIAL  |  | WEIGHT   | Customer Drawing  |

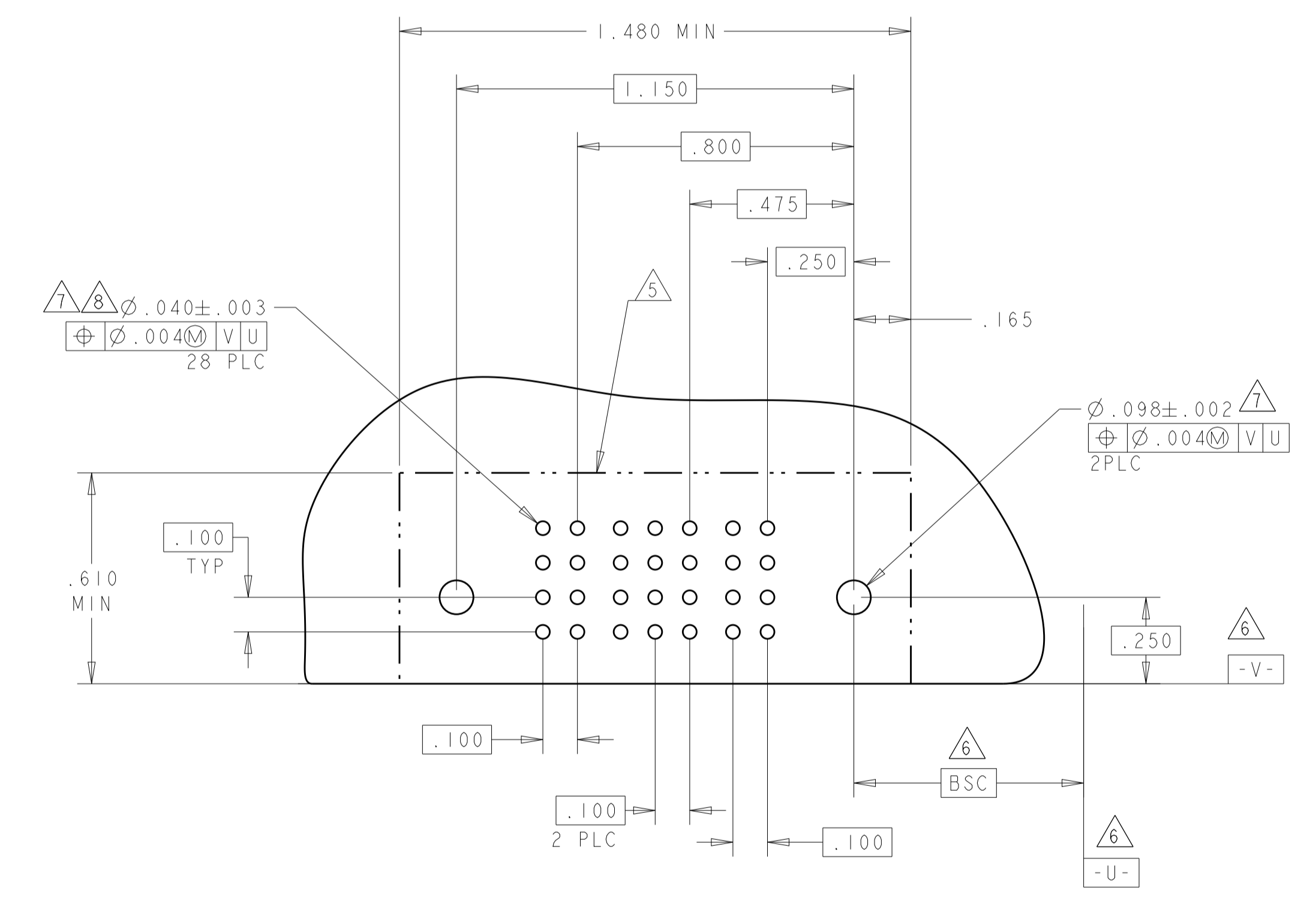
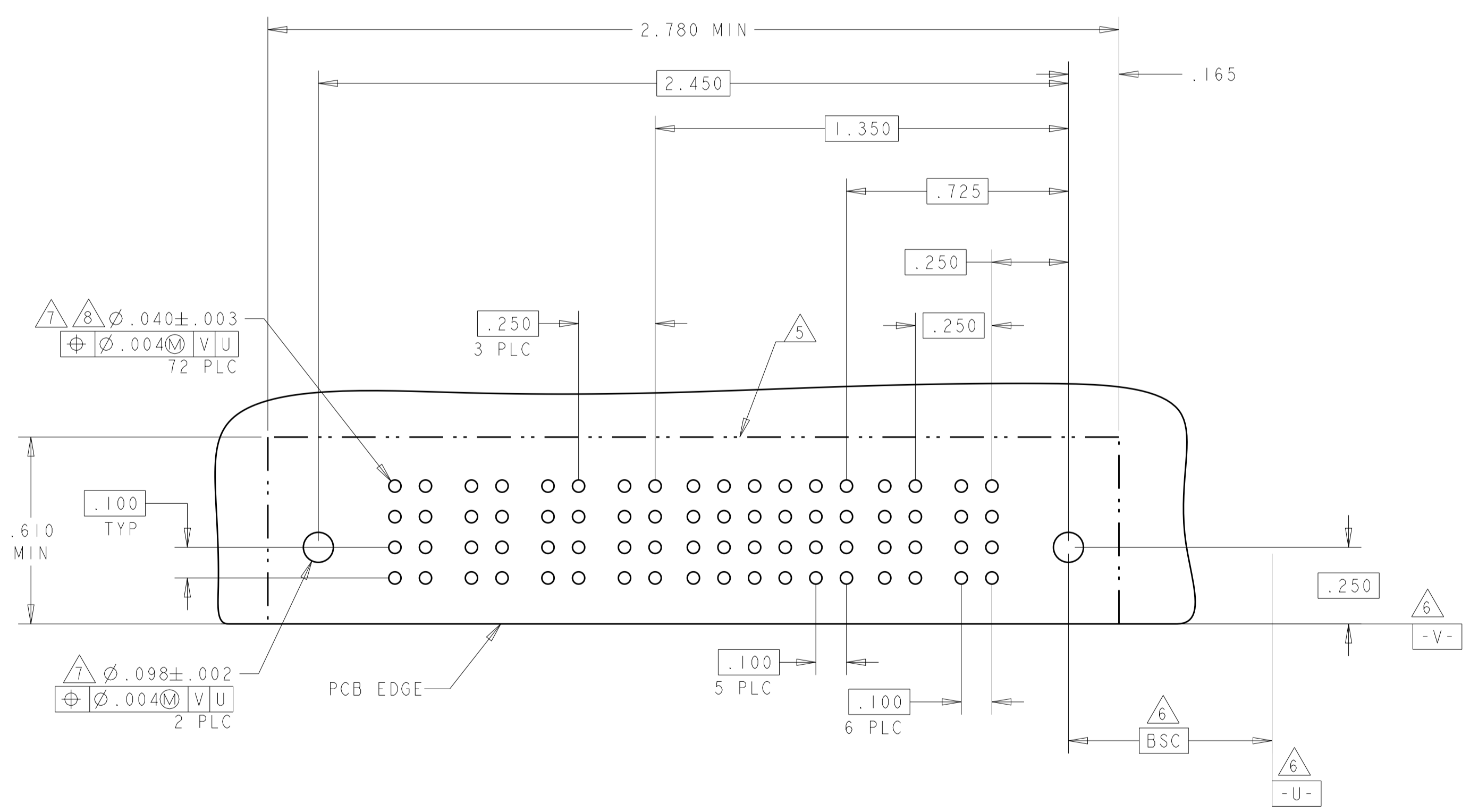
| LOC |     | DIST        |      | REVISIONS |      |  |  |
|-----|-----|-------------|------|-----------|------|--|--|
| P   | LTN | DESCRIPTION | DATE | DMN       | APVD |  |  |
| -   | -   | SEE SHEET 1 | -    | -         | -    |  |  |

| PART NUMBER | ROWS | POWER |    |    |    | SIGNAL |   |   |   |   |   | POWER |    |
|-------------|------|-------|----|----|----|--------|---|---|---|---|---|-------|----|
|             |      | P6    | P5 | P4 | P3 | 6      | 5 | 4 | 3 | 2 | 1 | P2    | P1 |
| 4-6450160-0 | D    | RM    | RM | RM | RM | H      | H | H | H | H | H | RM    | RM |
|             | C    |       |    |    |    | G      | G | G | G | G | G |       |    |
|             | B    |       |    |    |    | F      | F | F | F | F | F |       |    |
|             | A    |       |    |    |    | E      | E | E | E | E | E |       |    |

2P + 24S + 4P

| PART NUMBER | ROWS | POWER |    | SIGNAL |   |    | POWER |    |
|-------------|------|-------|----|--------|---|----|-------|----|
|             |      | P2    | 3  | 2      | 1 | P1 |       |    |
| 4-6450160-1 | D    | RM    | RM | H      | H | H  | RM    | RM |
|             | C    |       |    | G      | G | G  |       |    |
|             | B    |       |    | F      | F | F  |       |    |
|             | A    |       |    | E      | E | E  |       |    |

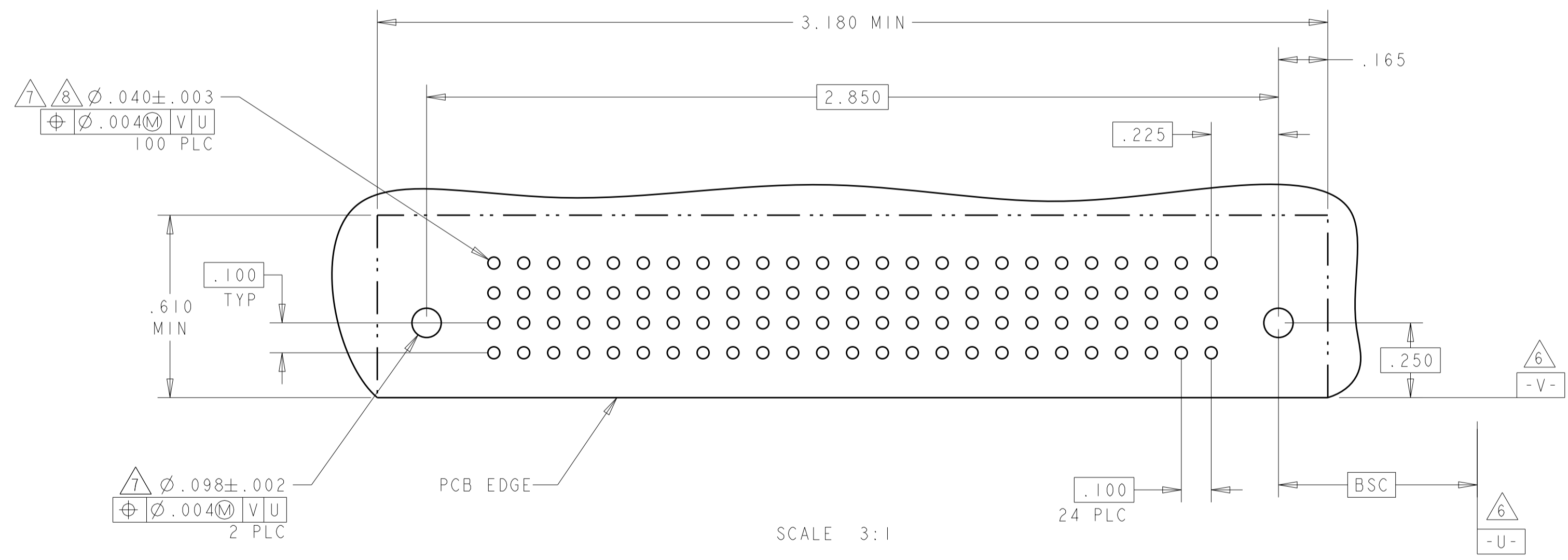
1P + 12S + 1P



|   |  |                             |   |
|---|--|-----------------------------|---|
| THIS DRAWING IS A CONTROLLED DOCUMENT.  |  | DMN: R. GRZYBOWSKI 21FEB05  | <br>TE Connectivity   |
| DIMENSIONS: INCHES  |  | CHK: M. PERCHERKE 21FEB05   |   |
| TOLERANCES UNLESS OTHERWISE SPECIFIED:<br>0 PLC ±.<br>1 PLC ±.01<br>2 PLC ±.01<br>3 PLC ±.005<br>4 PLC ±.002<br>ANGLES ±.02<br>FINISH #2* |  | APVD: M. PERCHERKE 21FEB05  |   |
| MATERIAL  |  | PRODUCT SPEC: 108-1973      | NAME: RIGHT ANGLE RECEPTACLE ASSEMBLY WITH GUIDES MULTI-BEAM XL |
|   |  | APPLICATION SPEC: 114-13038 | SIZE: CAGE CODE DRAWING NO. RESTRICTED TO                       |
|   |  | WEIGHT: -                   | A100779C=6450160  |
|   |  | Customer Drawing            | SCALE: 3:1 SHEET 13 OF 16 REV: G1                               |

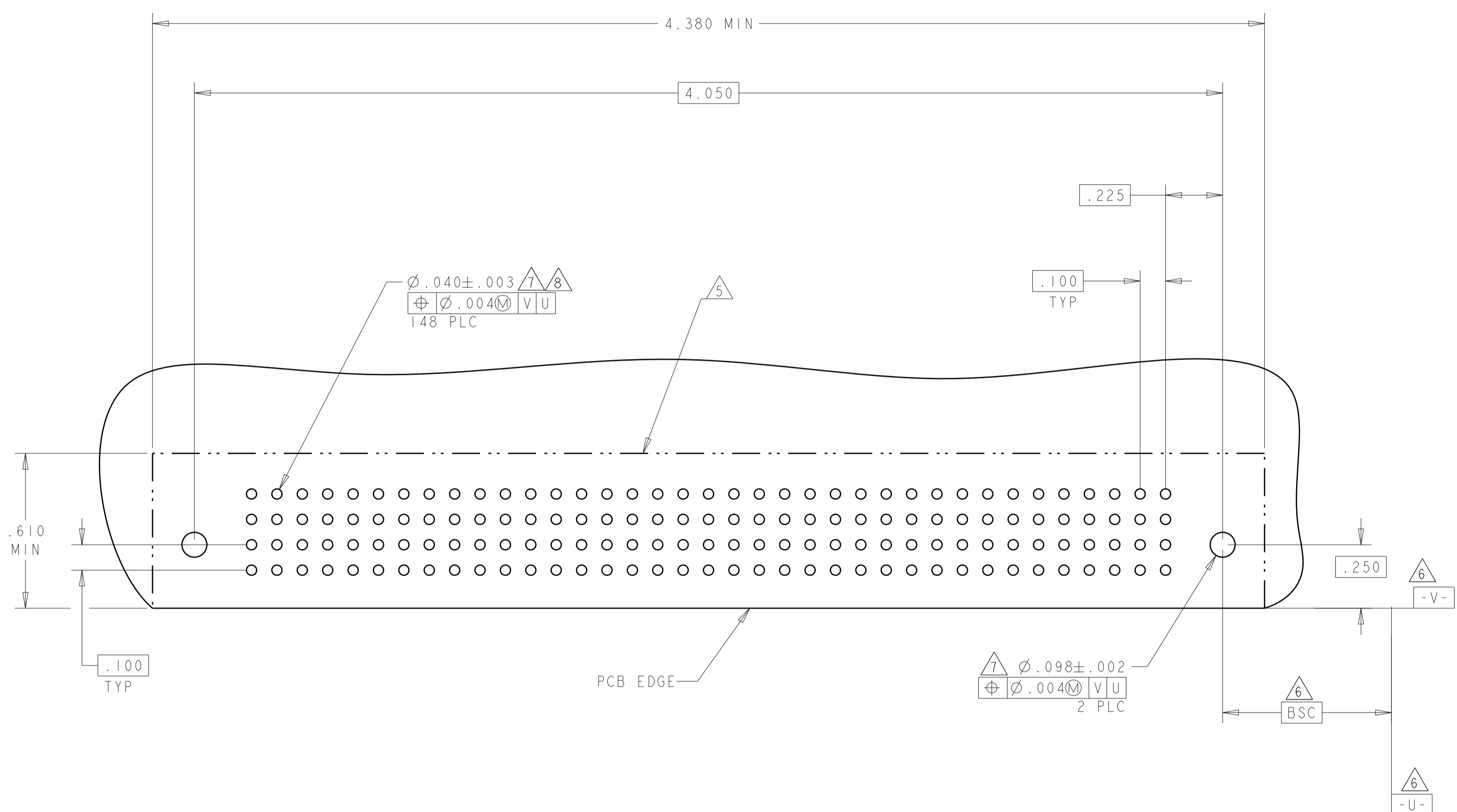
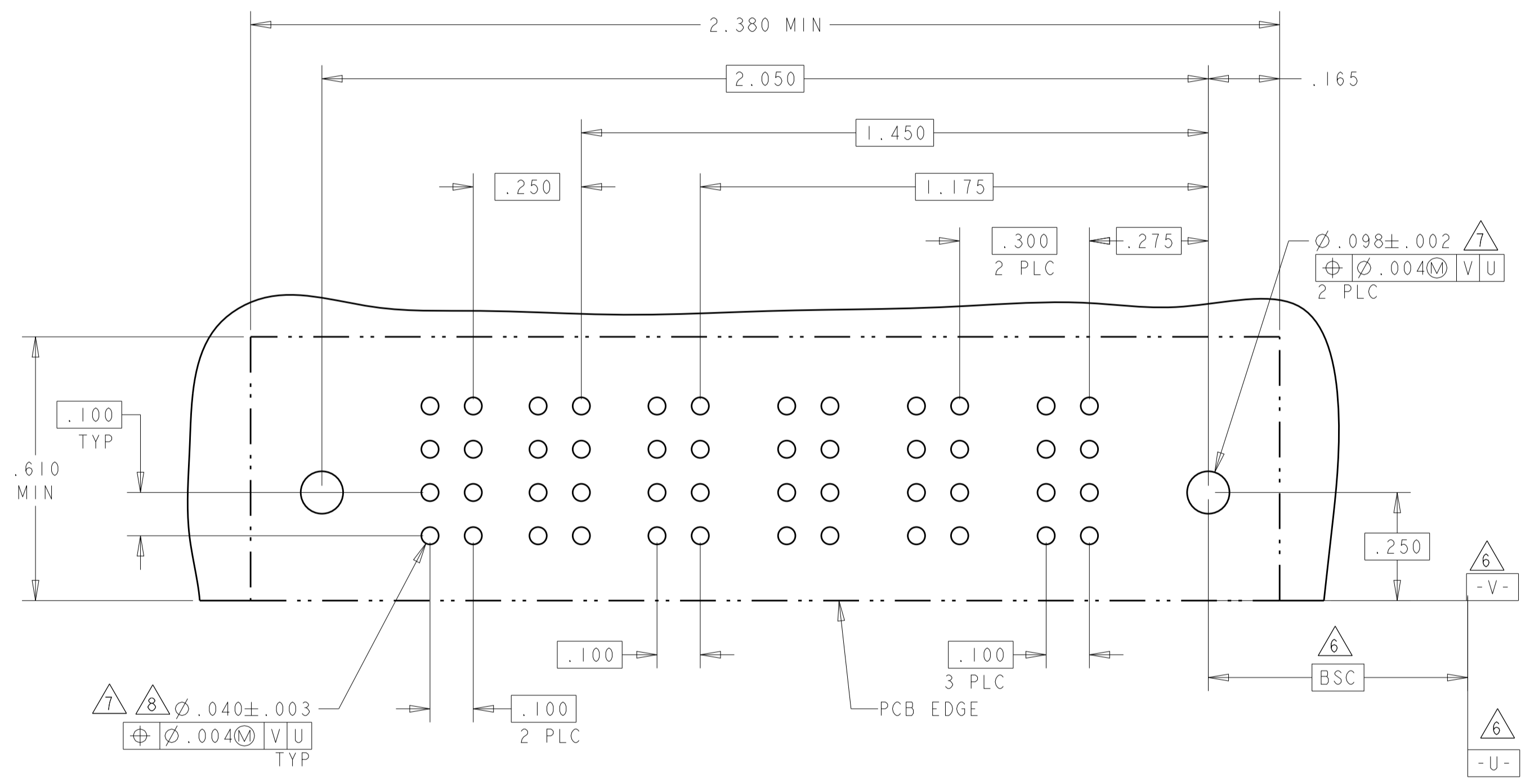
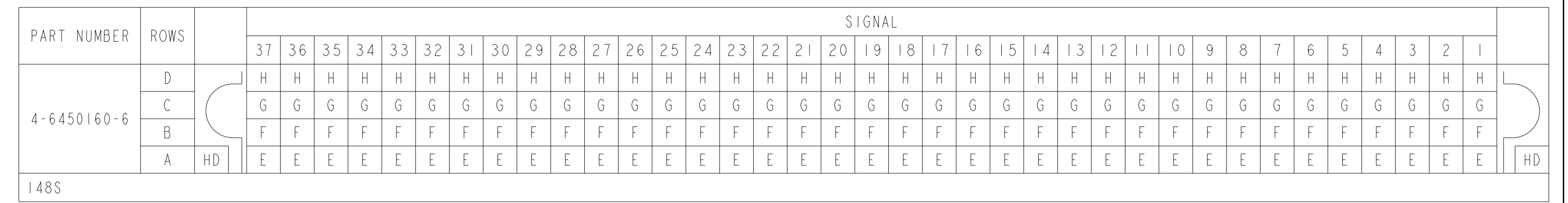
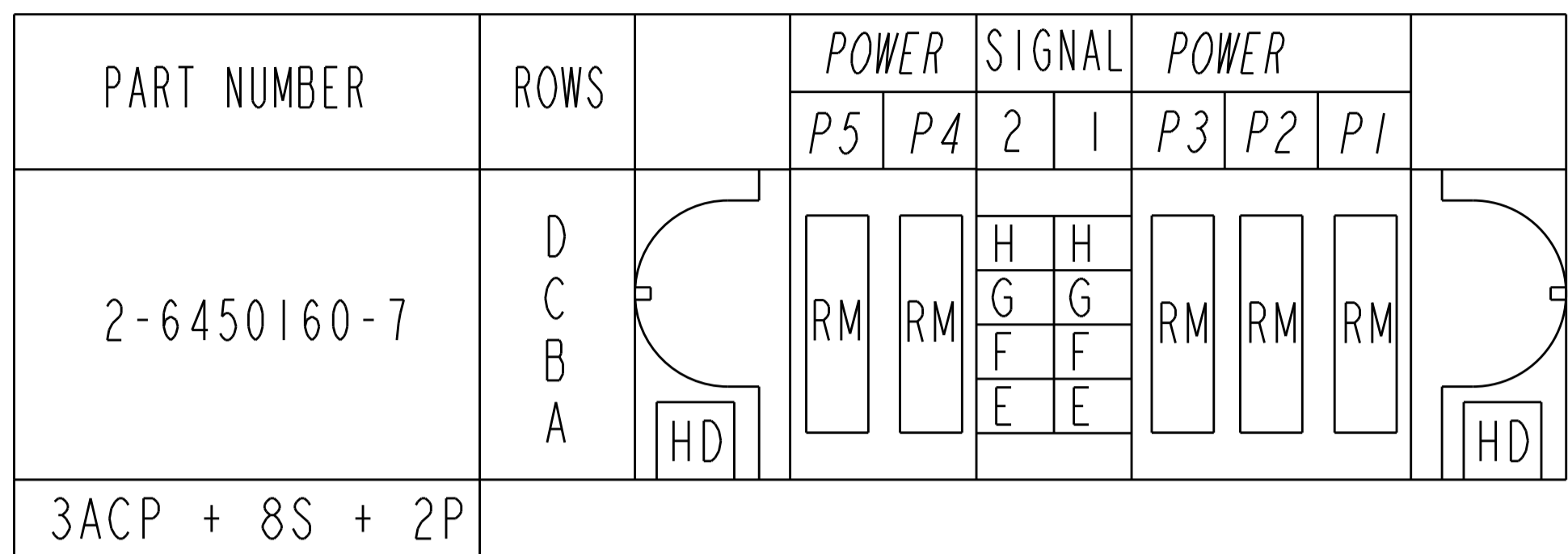
| LOC | DIST | REVISIONS   |      |     |      |
|-----|------|-------------|------|-----|------|
| P   | LTH  | DESCRIPTION | DATE | DWN | APVD |
| -   | -    | SEE SHEET 1 | -    | -   | -    |
|     |      |             |      |     |      |
|     |      |             |      |     |      |

| PART NUMBER | ROWS | SIGNAL |    |    |    |    |    |    |    |    |    |    |    |    |    |    |    |   |   |   |   |   |   |   |   |   |    |
|-------------|------|--------|----|----|----|----|----|----|----|----|----|----|----|----|----|----|----|---|---|---|---|---|---|---|---|---|----|
|             |      | 25     | 24 | 23 | 22 | 21 | 20 | 19 | 18 | 17 | 16 | 15 | 14 | 13 | 12 | 11 | 10 | 9 | 8 | 7 | 6 | 5 | 4 | 3 | 2 | 1 |    |
| 4-6450160-4 | D    | H      | H  | H  | H  | H  | H  | H  | H  | H  | H  | H  | H  | H  | H  | H  | H  | H | H | H | H | H | H | H | H | H |    |
|             | C    | G      | G  | G  | G  | G  | G  | G  | G  | G  | G  | G  | G  | G  | G  | G  | G  | G | G | G | G | G | G | G | G | G |    |
|             | B    | F      | F  | F  | F  | F  | F  | F  | F  | F  | F  | F  | F  | F  | F  | F  | F  | F | F | F | F | F | F | F | F | F |    |
|             | A    | E      | E  | E  | E  | E  | E  | E  | E  | E  | E  | E  | E  | E  | E  | E  | E  | E | E | E | E | E | E | E | E | E |    |
| 100S        |      | HD     |    |    |    |    |    |    |    |    |    |    |    |    |    |    |    |   |   |   |   |   |   |   |   |   | HD |



|  |  |                             |   |
|--|--|-----------------------------|---|
| THIS DRAWING IS A CONTROLLED DOCUMENT.   |  | DWN: R. GRZYBOWSKI 21FEB05  | <br>TE Connectivity   |
| DIMENSIONS: INCHES   |  | CHK: M. PERCHERKE 21FEB05   |   |
| TOLERANCES UNLESS OTHERWISE SPECIFIED:   |  | APVD: M. PERCHERKE 21FEB05  | NAME: RIGHT ANGLE RECEPTACLE ASSEMBLY WITH GUIDES MULTI-BEAM XL |
| 0 PLC $\pm$<br>1 PLC $\pm .01$<br>2 PLC $\pm .005$<br>3 PLC $\pm .002$<br>4 PLC $\pm .002$<br>ANGLES $\pm 2^\circ$ |  | PRODUCT SPEC: 108-1973      | SIZE: A1  |
| MATERIAL: FINISH:  |  | APPLICATION SPEC: 114-13038 | CAGE CODE: 6450160  |
|  |  | WEIGHT:                     | RESTRICTED TO: -  |
|  |  | Customer Drawing            | SCALE: 3:1 SHEET 14 OF 16 REV: G1                               |

| LOC | DIST | REV | DATE | DWN | APVD |
|-----|------|-----|------|-----|------|
| GP  | 00   |     |      |     |      |
|     |      | 1   |      |     |      |
|     |      |     |      |     |      |

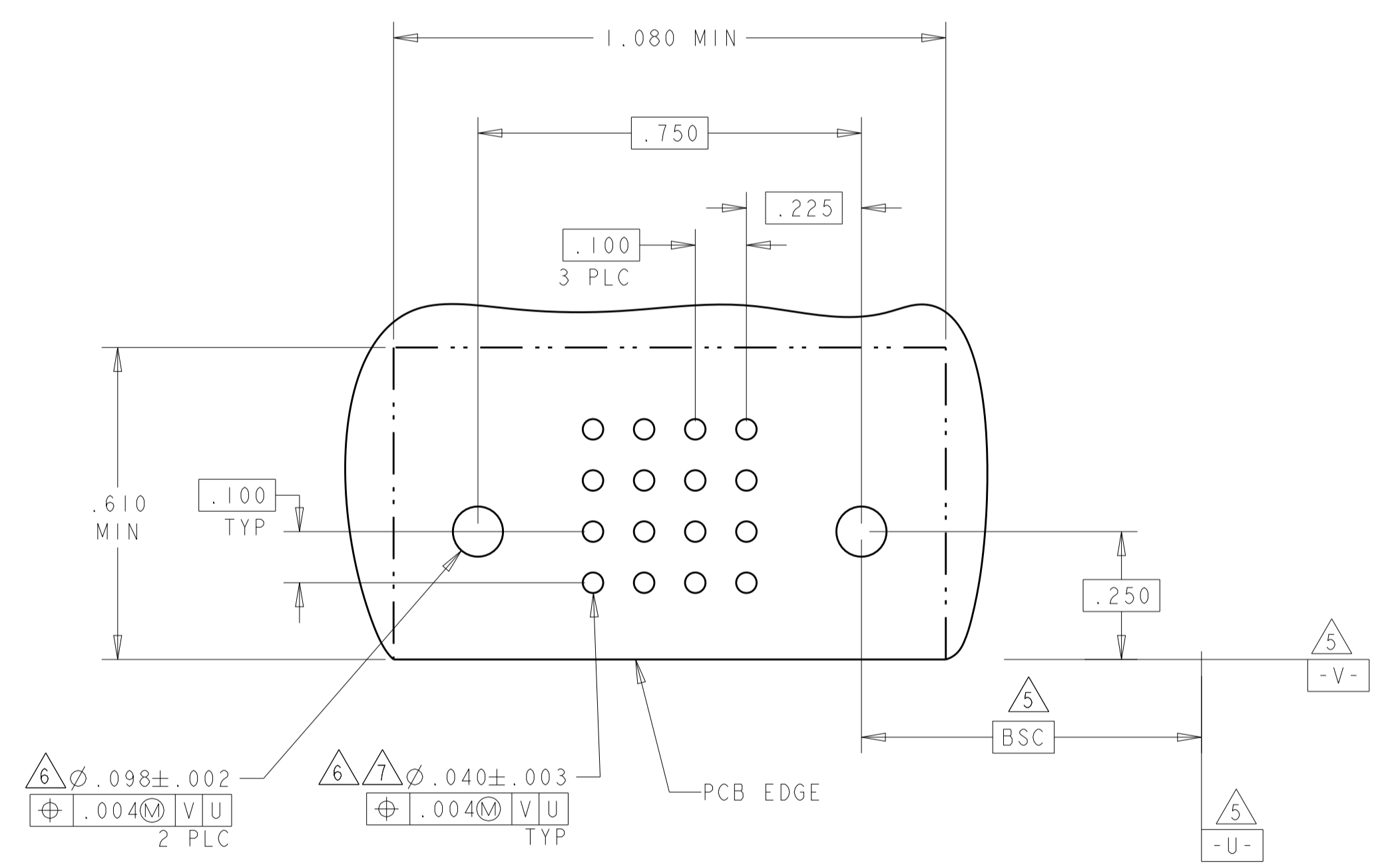
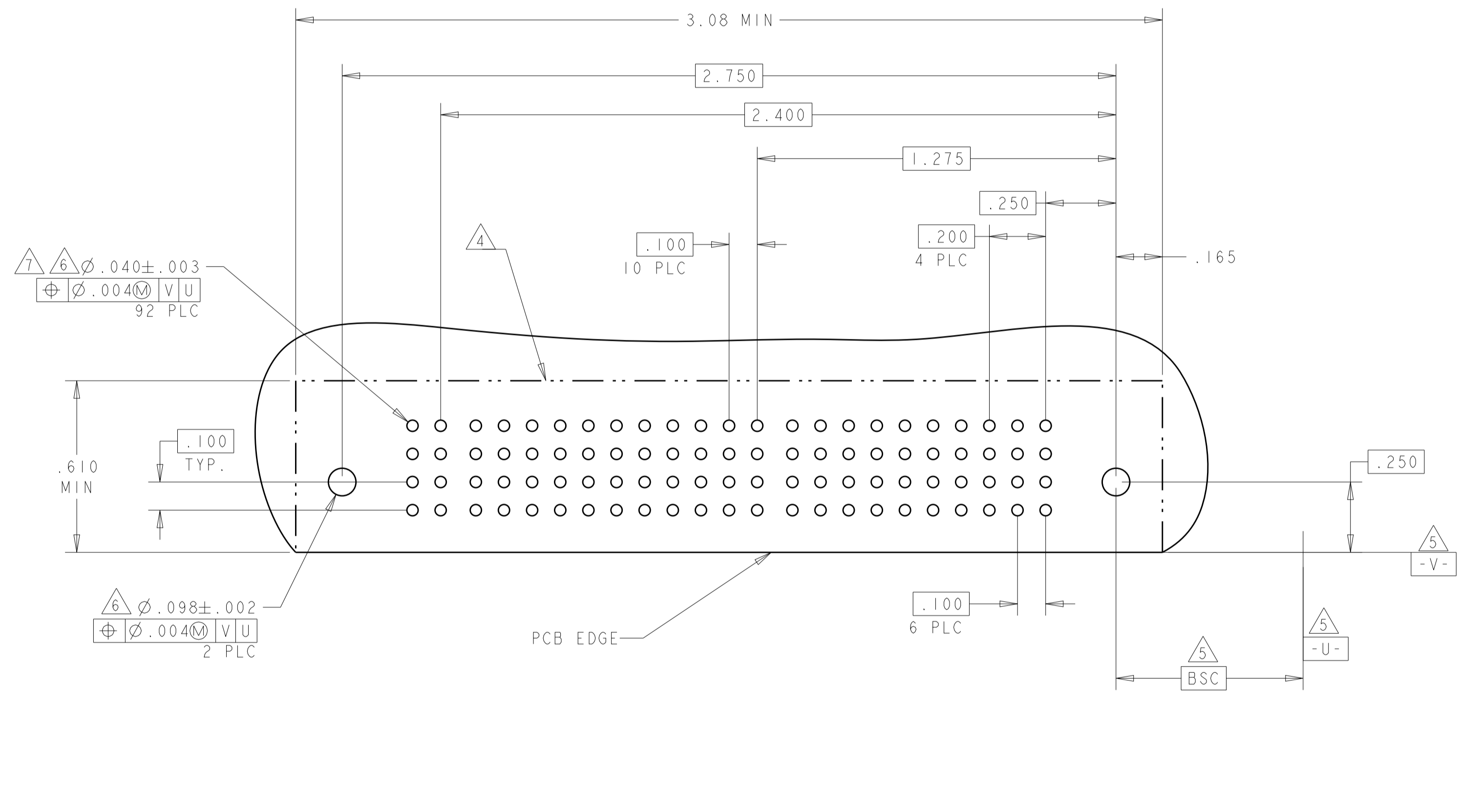


|  |  |   |   |                            |
|--|--|---|---|----------------------------|
| THIS DRAWING IS A CONTROLLED DOCUMENT. |  | DWN: R. GRZYBOWSKI<br>CHK: M. PERCHERKE<br>APVD: M. PERCHERKE | Z1FEB05<br>Z1FEB05<br>Z1FEB05                                   | <b>STE</b> TE Connectivity |
| DIMENSIONS: INCHES                     | TOLERANCES UNLESS OTHERWISE SPECIFIED: | PRODUCT SPEC: 108-1973<br>APPLICATION SPEC: 114-13038         | NAME: RIGHT ANGLE RECEPTACLE ASSEMBLY WITH GUIDES MULTI-BEAM XL |                            |
| MATERIAL:                              | FINISH: #2*                            | WEIGHT:   | SIZE: A100779<br>CAGE CODE: C=6450160<br>DRAWING NO: 15         | RESTRICTED TO: -           |
| Customer Drawing                       |  |   | SCALE: 3:1  | SHEET 15 OF 16             |

| LOC |     | DIST |     | REVISIONS |             |  |  |  |
|-----|-----|------|-----|-----------|-------------|--|--|--|
| P   | LTN | DATE | DMN | APVD      | DESCRIPTION |  |  |  |
| -   | -   | -    | -   | -         | SEE SHEET 1 |  |  |  |
|     |     |      |     |           |             |  |  |  |
|     |     |      |     |           |             |  |  |  |

| PART NUMBER   | ROWS             | SIGNAL |   |   |   |   |   |   |   |   |   | POWER |   |    |    |    |    |    |
|---------------|------------------|--------|---|---|---|---|---|---|---|---|---|-------|---|----|----|----|----|----|
|               |                  | P6     | I | I | I | 9 | 8 | 7 | 6 | 5 | 4 | 3     | 2 | 1  | P5 | P4 | P3 | P2 |
| 4-6450160-8   | D<br>C<br>B<br>A | H      | H | H | H | H | H | H | H | H | H | H     | H | RM | RM | RM | RM | RM |
|               |                  | G      | G | G | G | G | G | G | G | G | G | G     | G | RM | RM | RM | RM | RM |
|               |                  | F      | F | F | F | F | F | F | F | F | F | F     | F | RM | RM | RM | RM | RM |
|               |                  | E      | E | E | E | E | E | E | E | E | E | E     | E | RM | RM | RM | RM | RM |
| 5P + 44S + IP |                  | HD     |   |   |   |   |   |   |   |   |   |       |   | HD |    |    |    |    |

| PART NUMBER | ROWS | SIGNAL |   |   |   |
|-------------|------|--------|---|---|---|
|             |      | 4      | 3 | 2 | 1 |
| 4-6450160-9 | D    | H      | H | H | H |
|             | C    | G      | G | G | G |
|             | B    | F      | F | F | F |
|             | A    | E      | E | E | E |
| 16S         |      | HD     |   |   |   |



|  |        |                                 |   |
|--|--------|---------------------------------|---|
| THIS DRAWING IS A CONTROLLED DOCUMENT.   |        | OWN<br>R. GRZYBOWSKI<br>Z1FEB05 | <br>TE Connectivity   |
| DIMENSIONS:<br>INCHES  |        | CHK<br>M. PERCHERKE<br>Z1FEB05  |   |
| TOLERANCES UNLESS OTHERWISE SPECIFIED:<br>0 PLC ±<br>1 PLC ±.01<br>2 PLC ±.01<br>3 PLC ±.005<br>4 PLC ±.002<br>ANGLES ±.2° |        | APVD<br>M. PERCHERKE<br>Z1FEB05 | NAME<br>RIGHT ANGLE RECEPTACLE ASSEMBLY<br>WITH GUIDES<br>MULTI-BEAM XL |
| MATERIAL   | FINISH | PRODUCT SPEC<br>108-1973        | SIZE<br>114-13038   |
| Customer Drawing   |        | WEIGHT<br>-                     | RESTRICTED TO<br>A100779C=6450160                                       |
| SCALE 3:1  |        | SHEET 16 OF 16                  | REV G1  |





Компания «ЭлектроПласт» предлагает заключение долгосрочных отношений при поставках импортных электронных компонентов на взаимовыгодных условиях!

Наши преимущества:

- Оперативные поставки широкого спектра электронных компонентов отечественного и импортного производства напрямую от производителей и с крупнейших мировых складов;
- Поставка более 17-ти миллионов наименований электронных компонентов;
- Поставка сложных, дефицитных, либо снятых с производства позиций;
- Оперативные сроки поставки под заказ (от 5 рабочих дней);
- Экспресс доставка в любую точку России;
- Техническая поддержка проекта, помощь в подборе аналогов, поставка прототипов;
- Система менеджмента качества сертифицирована по Международному стандарту ISO 9001;
- Лицензия ФСБ на осуществление работ с использованием сведений, составляющих государственную тайну;
- Поставка специализированных компонентов (Xilinx, Altera, Analog Devices, Intersil, Interpoint, Microsemi, Aeroflex, Peregrine, Syfer, Eurofarad, Texas Instrument, Miteq, Cobham, E2V, MA-COM, Hittite, Mini-Circuits, General Dynamics и др.);

Помимо этого, одним из направлений компании «ЭлектроПласт» является направление «Источники питания». Мы предлагаем Вам помощь Конструкторского отдела:

- Подбор оптимального решения, техническое обоснование при выборе компонента;
- Подбор аналогов;
- Консультации по применению компонента;
- Поставка образцов и прототипов;
- Техническая поддержка проекта;
- Защита от снятия компонента с производства.



#### Как с нами связаться

**Телефон:** 8 (812) 309 58 32 (многоканальный)

**Факс:** 8 (812) 320-02-42

**Электронная почта:** [org@eplast1.ru](mailto:org@eplast1.ru)

**Адрес:** 198099, г. Санкт-Петербург, ул. Калинина, дом 2, корпус 4, литера А.