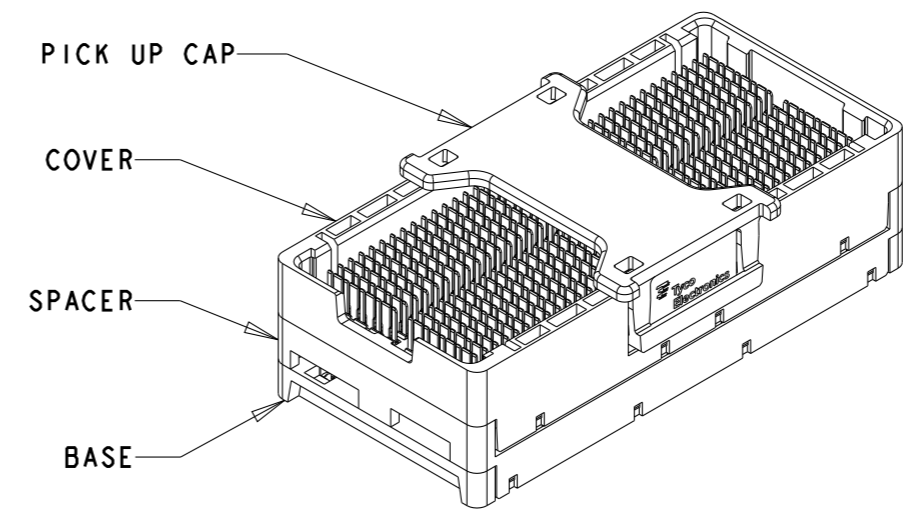
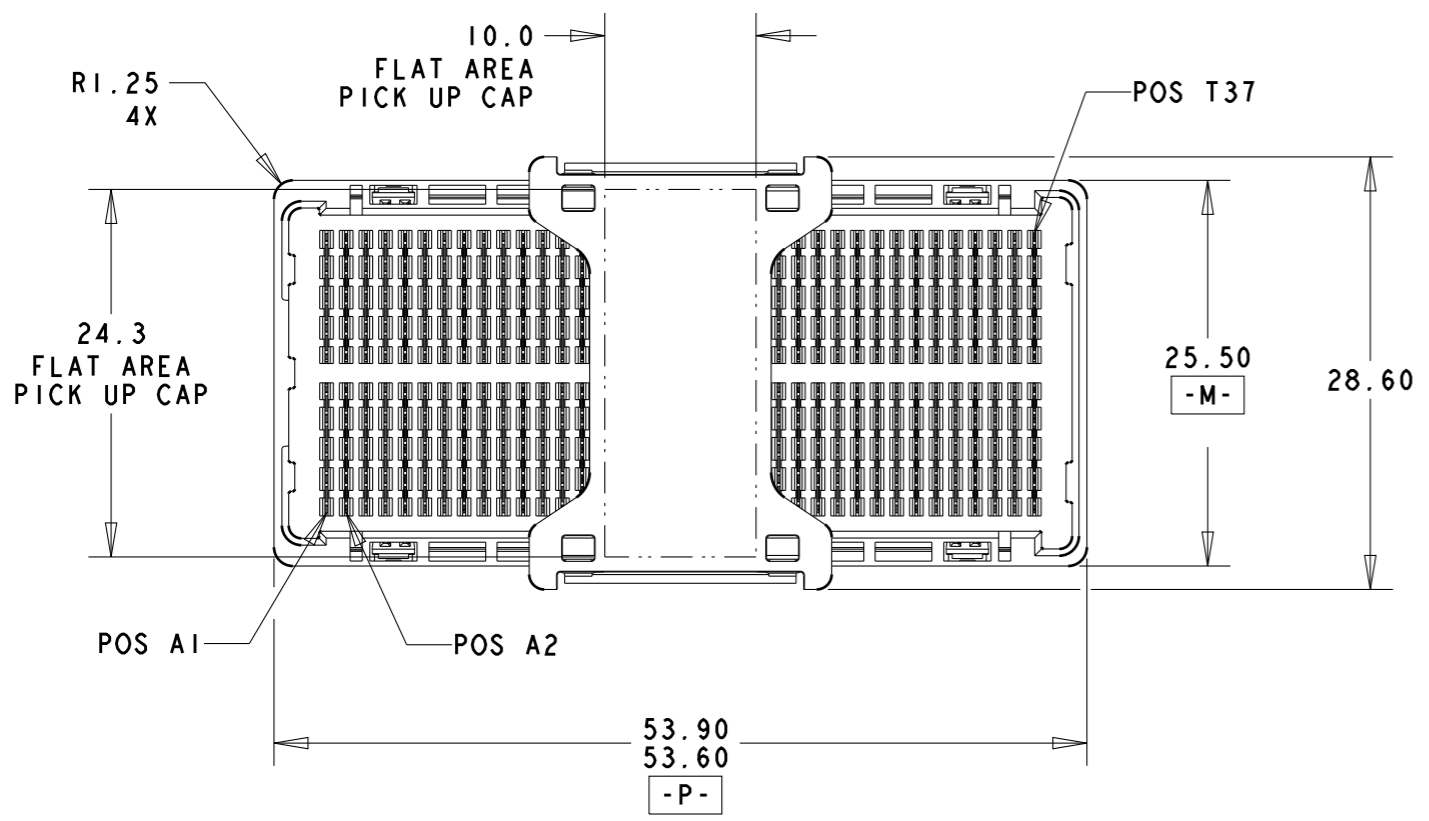


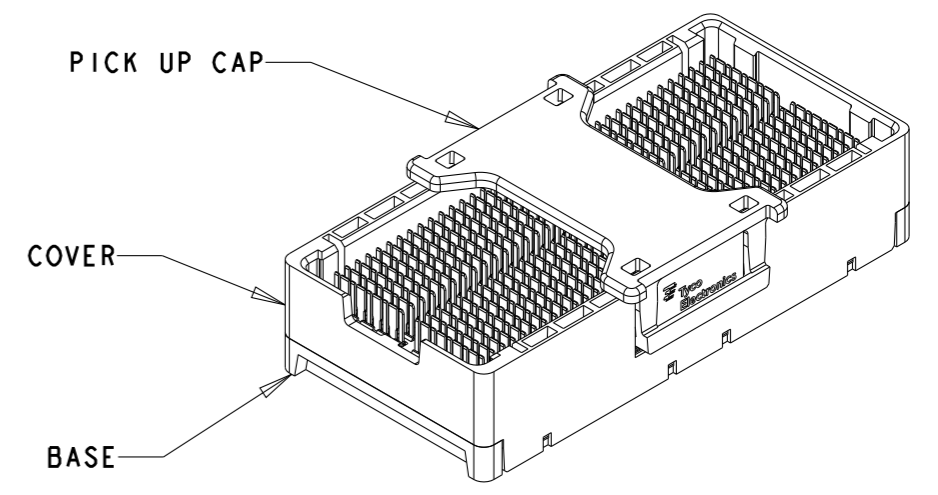
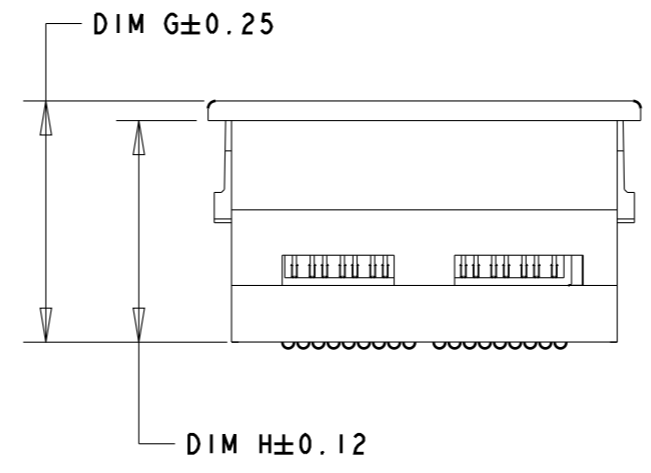
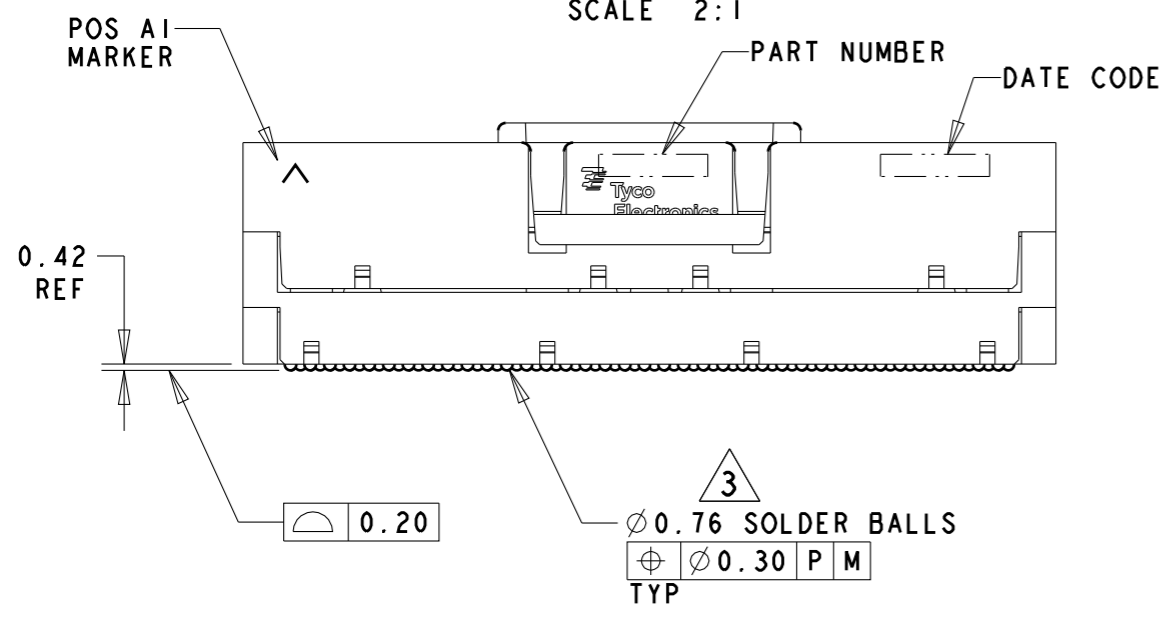
THIS DRAWING IS UNPUBLISHED. RELEASED FOR PUBLICATION 20
 © COPYRIGHT 20 BY TYCO ELECTRONICS CORPORATION, ALL RIGHTS RESERVED.

LOC	DIST	REVISIONS			
P	LTR	DESCRIPTION	DATE	DWN	APVD
DY	-	A5	REVISED PER ECR-10-013879	01JUL2010	SYJ LSF



ISOMETRIC VIEW
 TYPICAL CONFIGURATION FOR
 15mm & 20mm ASSEMBLY
 SCALE 3:2

TYPICAL ASSEMBLY
 15mm SHOWN
 SCALE 2:1



ISOMETRIC VIEW
 TYPICAL CONFIGURATION FOR
 10mm, 12mm & 13mm ASSEMBLY
 SCALE 3:2

<small>THIS DRAWING IS A CONTROLLED DOCUMENT FOR TYCO ELECTRONICS CORPORATION IT IS SUBJECT TO CHANGE AND THE CONTROLLING ENGINEERING ORGANIZATION SHOULD BE CONTACTED FOR THE LATEST REVISION.</small>		DWN P BRANDBERG 10JAN05 CHK D WERTZ 12JAN05 APVD D WERTZ 12JAN05		Tyco Electronics Singapore	
DIMENSIONS: mm		TOLERANCES UNLESS OTHERWISE SPECIFIED:		NAME STEP-Z PLUG ASSEMBLY, 296 SIGNAL POSITION	
		0 PLC ± 1 PLC ±0.3 2 PLC ±0.10 3 PLC ±0.050 4 PLC ± ANGLES ±2°		PRODUCT SPEC 108-2143 APPLICATION SPEC 114-13101	
MATERIAL 1		FINISH 2		SIZE A3 CAGE CODE 00779 DRAWING NO C-1761616 RESTRICTED TO -	
CUSTOMER DRAWING				SCALE - SHEET 1 OF 4 REV A5	

THIS DRAWING IS UNPUBLISHED.

RELEASED FOR PUBLICATION

20


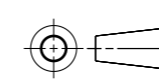
© COPYRIGHT 20

BY TYCO ELECTRONICS CORPORATION, ALL RIGHTS RESERVED.

LOC	DIST	REVISIONS					
		P	LTR	DESCRIPTION	DATE	DWN	APVD
DY	-	-	-	SEE SHEET 1	-	-	-

- 1 MATERIAL:
BASE, SPACER, COVER: THERMOPLASTIC
PICK UP CAP: THERMOPLASTIC
CONTACT: COPPER ALLOY
SOLDER BALL: Sn/Pb FOR P/N 1761616-1 THRU 5-1761616-0
Sn/Ag FOR P/N 5-1761616-1 THRU 9-1761616-9
- 2 FINISH:
CONTACT: 0.00076 MIN GOLD OVER 0.00127 MIN NICKEL.
(30µ" MIN GOLD OVER 50µ" MIN NICKEL)
- 3 SOLDER BALLS WILL NOT BE PERFECT
SPHERICAL SHAPE DUE TO REFLOW ATTACHMENT.
- 4 CONTACTS IN ROWS A,C,E,G,J,K,M,P,R, AND T
ARE SINGLE BEAM CONTACTS,
TYPICALLY USED AS GROUND PINS.
(NOTE: CONTACTS IN ROW J & K ARE TIED
TOGETHER [COMMONED]).
- 5 CONTACTS IN ROWS B,D,F,H,L,N,O, AND S
ARE DUAL BEAM CONTACTS,
TYPICALLY USED AS SIGNAL PINS.
- 6 SPECIFIED POSITIONAL TOLERANCE DEFINES PAD TO PAD
LOCATION WITHIN LAND PATTERN. POSITIONAL TOLERANCE
OF LAND PATTERN TO FUDICIAL MARKS OR PCB DATUMS
SHALL BE DEFINED BY CUSTOMER. FOR RECOMMENDED
PRODUCT APPLICATION AND PCB DESIGN DETAILS, SEE
APPLICATION SPEC 114-13101.

24.65	25.95	-	25mm Sn/Ag	7-1761616-5
19.65	20.95	-	20mm Sn/Ag	7-1761616-0
14.65	15.95	-	15mm Sn/Ag	6-1761616-5
12.65	13.95	-	13mm Sn/Ag	6-1761616-3
11.65	12.95	-	12mm Sn/Ag	6-1761616-2
9.65	10.95	-	10mm Sn/Ag	6-1761616-0
24.65	25.95	-	25mm Sn/Pb	2-1761616-5
19.65	20.95	-	20mm Sn/Pb	2-1761616-0
14.65	15.95	-	15mm Sn/Pb	1-1761616-5
12.65	13.95	-	13mm Sn/Pb	1-1761616-3
11.65	12.95	-	12mm Sn/Pb	1-1761616-2
9.65	10.95	-	10mm Sn/Pb	1-1761616-0
DIM H	DIM G	LOAD STYLE	DESCRIPTION	PART NUMBER

<small>THIS DRAWING IS A CONTROLLED DOCUMENT FOR TYCO ELECTRONICS CORPORATION IT IS SUBJECT TO CHANGE AND THE CONTROLLING ENGINEERING ORGANIZATION SHOULD BE CONTACTED FOR THE LATEST REVISION.</small>		DWN P BRANDBERG 10 JAN05	 Tyco Electronics Singapore	
DIMENSIONS: mm		CHK D WERTZ 12 JAN05	NAME STEP-Z PLUG ASSEMBLY, 296 SIGNAL POSITION	
		APVD D WERTZ 12 JAN05	PRODUCT SPEC -	
TOLERANCES UNLESS OTHERWISE SPECIFIED: 0 PLC ±. 1 PLC ±0.3 2 PLC ±0.10 3 PLC ±0.050 4 PLC ±. ANGLES ±2°		APPLICATION SPEC -	SIZE A3	CAGE CODE 00779
MATERIAL -	FINISH -	WEIGHT -	DRAWING NO C-1761616	RESTRICTED TO -
CUSTOMER DRAWING			SCALE -	SHEET 2 OF 4 REV A5

THIS DRAWING IS UNPUBLISHED.

RELEASED FOR PUBLICATION

20

© COPYRIGHT 20

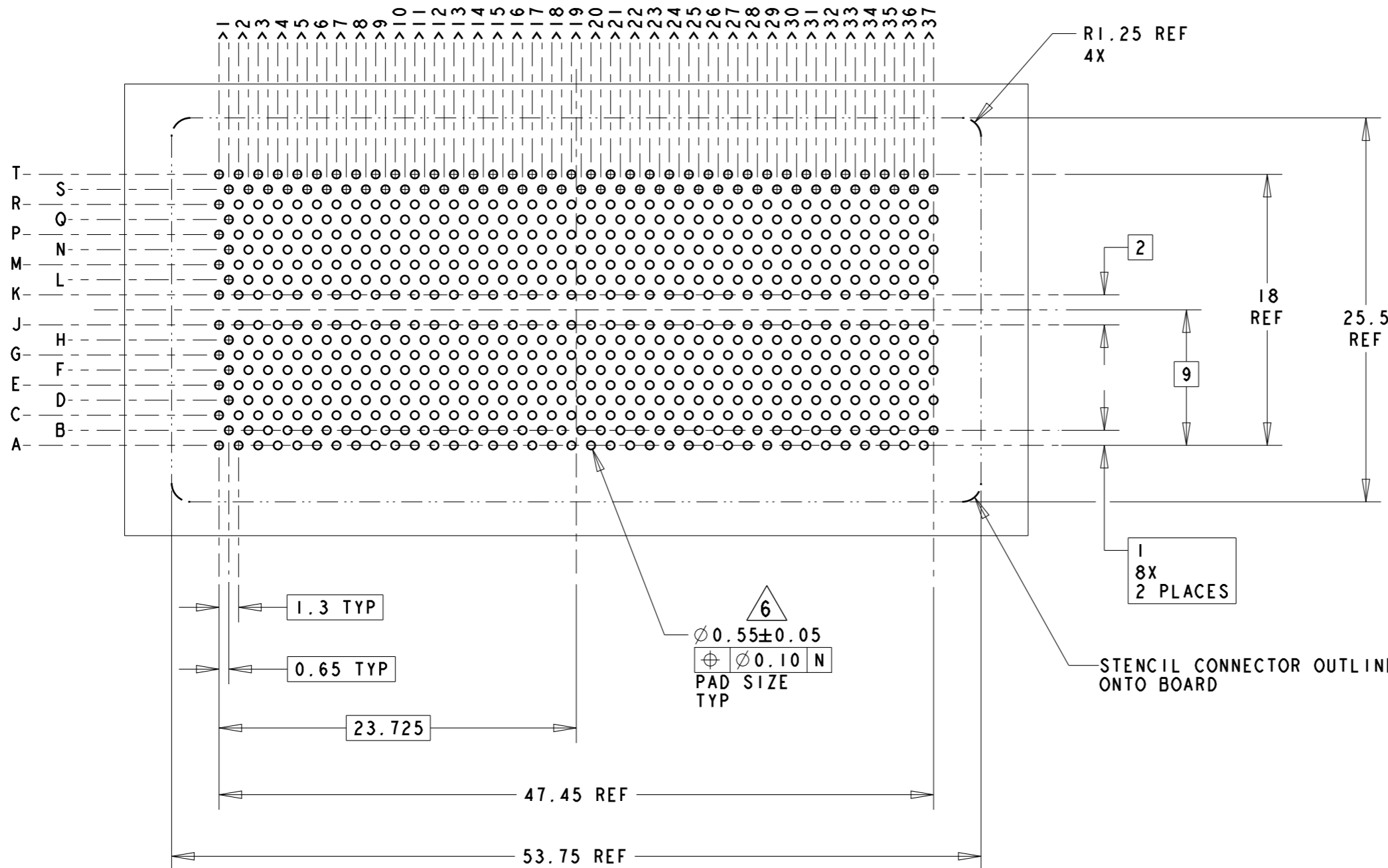
BY TYCO ELECTRONICS CORPORATION, ALL RIGHTS RESERVED.

LOC
DY

DIST
-

REVISIONS

P	LTR	DESCRIPTION	DATE	DWN	APVD
-	-	SEE SHEET 1	-	-	-



4 5 BOARD PATTERN SCALE 3:1

THIS DRAWING IS A CONTROLLED DOCUMENT FOR TYCO ELECTRONICS CORPORATION IT IS SUBJECT TO CHANGE AND THE CONTROLLING ENGINEERING ORGANIZATION SHOULD BE CONTACTED FOR THE LATEST REVISION.

DIMENSIONS:	TOLERANCES UNLESS OTHERWISE SPECIFIED:
mm	
	0 PLC ±-
	1 PLC ±0.3
	2 PLC ±0.10
	3 PLC ±0.050
	4 PLC ±-
	ANGLES ±2°
MATERIAL -	FINISH -

DWN	P BRANDBERG	10 JAN 05
CHK	D WERTZ	12 JAN 05
APVD	D WERTZ	12 JAN 05
PRODUCT SPEC	-	-
APPLICATION SPEC	-	-
WEIGHT	-	-
CUSTOMER DRAWING		

		Tyco Electronics Singapore	
NAME STEP-Z PLUG ASSEMBLY, 296 SIGNAL POSITION			
SIZE	CAGE CODE	DRAWING NO	RESTRICTED TO
A3	00779	C-1761616	-
SCALE -		SHEET 3 OF 4	REV A5

THIS DRAWING IS UNPUBLISHED.

RELEASED FOR PUBLICATION

20

© COPYRIGHT 20

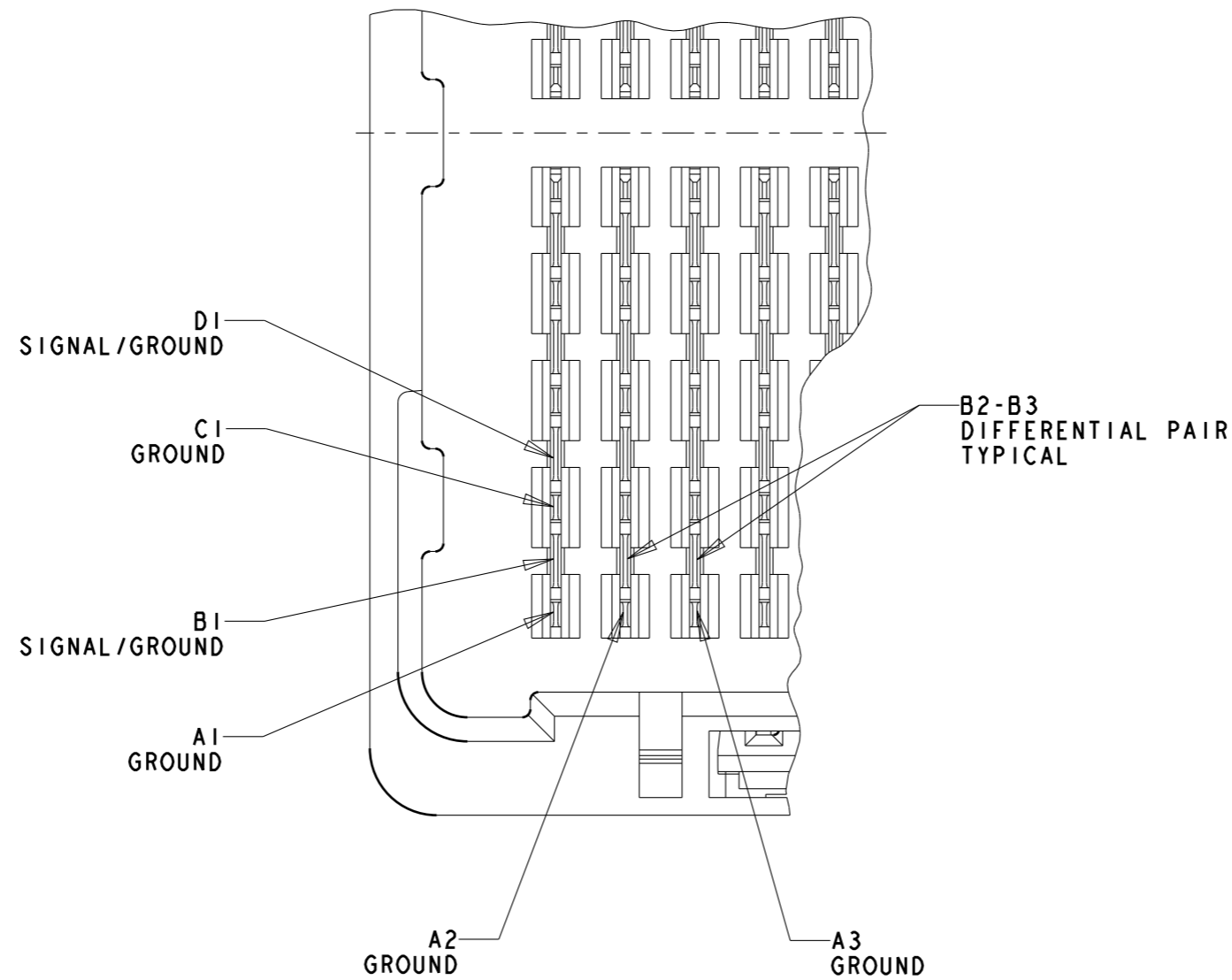
BY TYCO ELECTRONICS CORPORATION, ALL RIGHTS RESERVED.

LOC
DY

DIST
-

REVISIONS

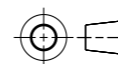
P	LTR	DESCRIPTION	DATE	DWN	APVD
-	-	SEE SHEET 1	-	-	-



PLUG INTERFACE
SCALE 8:1

THIS DRAWING IS A CONTROLLED DOCUMENT FOR TYCO ELECTRONICS CORPORATION
IT IS SUBJECT TO CHANGE AND THE CONTROLLING ENGINEERING ORGANIZATION
SHOULD BE CONTACTED FOR THE LATEST REVISION.

DIMENSIONS:
mm



TOLERANCES UNLESS OTHERWISE SPECIFIED:

0 PLC	±	-
1 PLC	±	0.3
2 PLC	±	0.10
3 PLC	±	0.050
4 PLC	±	-
ANGLES	±	2°
FINISH	-	-

MATERIAL

-

DWN P BRANDBERG 10 JAN 05

CHK D WERTZ 12 JAN 05

APVD D WERTZ 12 JAN 05

PRODUCT SPEC

APPLICATION SPEC

WEIGHT

CUSTOMER DRAWING

Tyco Electronics Tyco Electronics Singapore

NAME STEP-Z PLUG ASSEMBLY, 296 SIGNAL POSITION

SIZE CAGE CODE DRAWING NO RESTRICTED TO

A3 00779 C-1761616

SCALE - SHEET 4 OF 4 REV A5



Компания «ЭлектроПласт» предлагает заключение долгосрочных отношений при поставках импортных электронных компонентов на взаимовыгодных условиях!

Наши преимущества:

- Оперативные поставки широкого спектра электронных компонентов отечественного и импортного производства напрямую от производителей и с крупнейших мировых складов;
- Поставка более 17-ти миллионов наименований электронных компонентов;
- Поставка сложных, дефицитных, либо снятых с производства позиций;
- Оперативные сроки поставки под заказ (от 5 рабочих дней);
- Экспресс доставка в любую точку России;
- Техническая поддержка проекта, помощь в подборе аналогов, поставка прототипов;
- Система менеджмента качества сертифицирована по Международному стандарту ISO 9001;
- Лицензия ФСБ на осуществление работ с использованием сведений, составляющих государственную тайну;
- Поставка специализированных компонентов (Xilinx, Altera, Analog Devices, Intersil, Interpoint, Microsemi, Aeroflex, Peregrine, Syfer, Eurofarad, Texas Instrument, Miteq, Cobham, E2V, MA-COM, Hittite, Mini-Circuits, General Dynamics и др.);

Помимо этого, одним из направлений компании «ЭлектроПласт» является направление «Источники питания». Мы предлагаем Вам помощь Конструкторского отдела:

- Подбор оптимального решения, техническое обоснование при выборе компонента;
- Подбор аналогов;
- Консультации по применению компонента;
- Поставка образцов и прототипов;
- Техническая поддержка проекта;
- Защита от снятия компонента с производства.



Как с нами связаться

Телефон: 8 (812) 309 58 32 (многоканальный)

Факс: 8 (812) 320-02-42

Электронная почта: org@eplast1.ru

Адрес: 198099, г. Санкт-Петербург, ул. Калинина, дом 2, корпус 4, литера А.