

Low on Resistance / Low Voltage 1A LDO

NO.EA-265-160426

OUTLINE

The RP132x Series are voltage-regulators with a built-in low ON-resistance transistor and output current is 1A capability. These ICs have two versions: fixed output voltage type and externally adjustable output voltage type. The minimum output voltage can be set from 1.4V. Otherwise, the load regulation of RP132x has much improved when compared with conventional regulators. It's Typ.5mV at $I_{OUT}=0.1mA$ to 1A.

Each of these ICs consists of a voltage reference unit, an error amplifier, a resistor net for setting output voltage, current limit circuits to prevent over-current and a thermal-shutdown circuit. A standby mode with ultra low supply current can be realized with the chip enable function. Additionally, E/F Version with delay pin for inrush current limit time setting are also available.

The packages for these ICs are DFN(PLP)1820-6, SOT-89-5, HSOP-6J and TO-252-5-P2. DFN(PLP)1820-6 is suitable for high density mounting of the ICs on boards. SOT-89-5, HSOP-6J and TO-252-5-P2 are supporting high wattage.

FEATURES

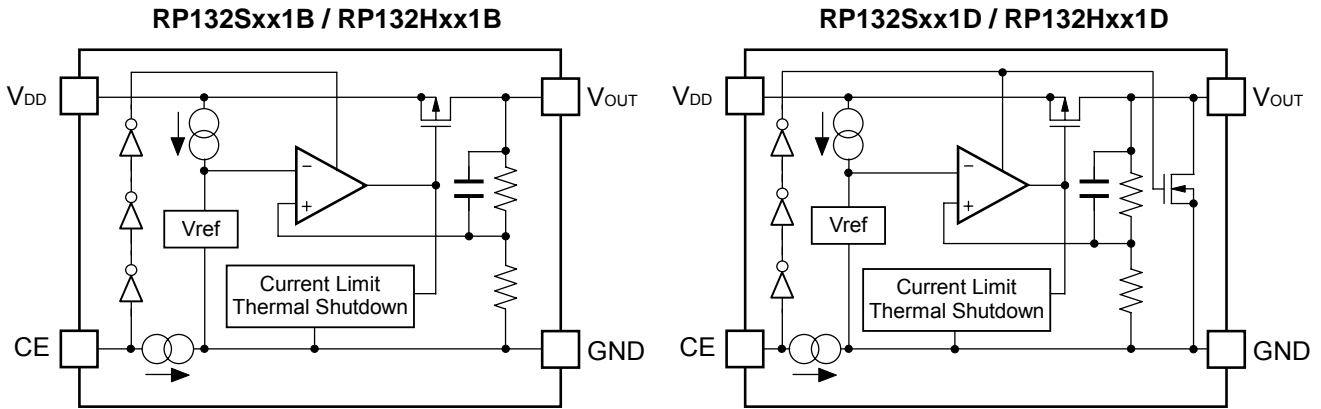
- Output Current Min. 1A
- Supply Current Typ. 65 μ A
- Standby Current Typ. 0.15 μ A
- Input Voltage Range 1.4V to 6.5V
- Output Voltage Range Fixed Output Voltage Type: 0.8V to 5.5V (0.1V steps)
Adjustable Output Voltage Type: 0.8V to 5.5V
(For other voltages, please refer to MARK INFORMATIONS.)
- Dropout Voltage..... Typ. 0.52V ($V_{OUT}=2.8V$, $I_{OUT}=1A$)
- Ripple Rejection Typ. 70dB ($f=1kHz$, $V_{OUT}=2.8V$)
- Output Voltage Accuracy $\pm 1.0\%$
- Output Voltage Temperature-Drift Coefficient Typ. $\pm 60ppm/^{\circ}C$
- Line Regulation Typ. 0.052%/V
- Load Regulation Typ. 3mV at $I_{OUT}=300mA$, Typ. 5mV at $I_{OUT}=1A$
- Packages DFN(PLP)1820-6, SOT-89-5, HSOP-6J, TO-252-5-P2
- Inrush Current Limit Circuit Typ. 500mA
B/D version: Inrush current limit time is 500 μ s.
E/F version: Inrush current limit time is adjustable.
- Fold-Back Protection Circuit Typ. 250mA (Current at short mode)
- Thermal Shutdown Circuit Thermal Shutdown Temperature: Typ. 165 $^{\circ}C$
Released Temperature: Typ. 95 $^{\circ}C$
- Auto Discharge Function D, F version
- Ceramic capacitors are recommended to be used with this IC 2.2 μ F or more ($V_{OUT} \leq 3.6V$)
4.7 μ F or more ($V_{OUT} > 3.6V$)

APPLICATIONS

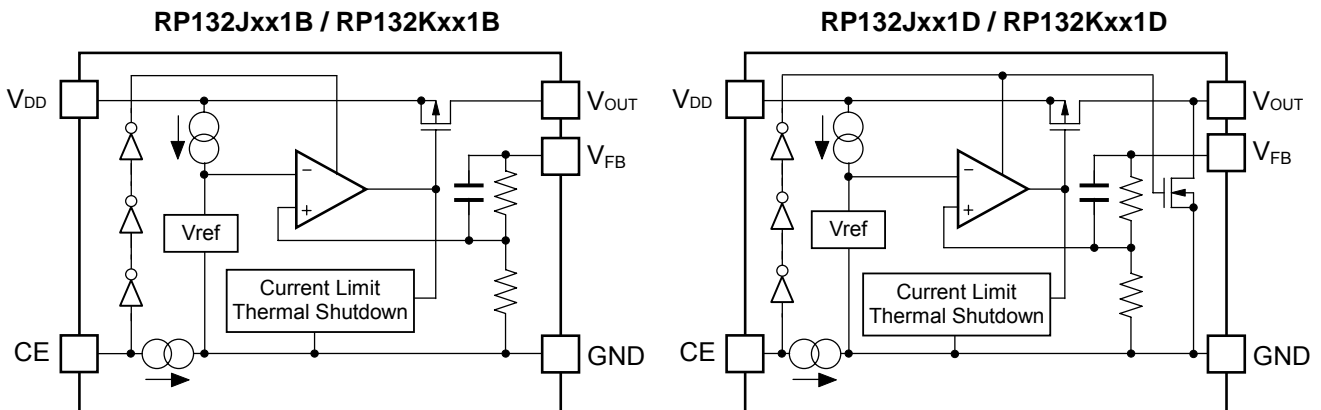
- Power source for battery-powered equipment.
- Power source for portable communication equipment
- Power source for electrical appliances such as cameras, VCRs and camcorders.
- Power source for home appliances and Notebook PC.

BLOCK DIAGRAMS

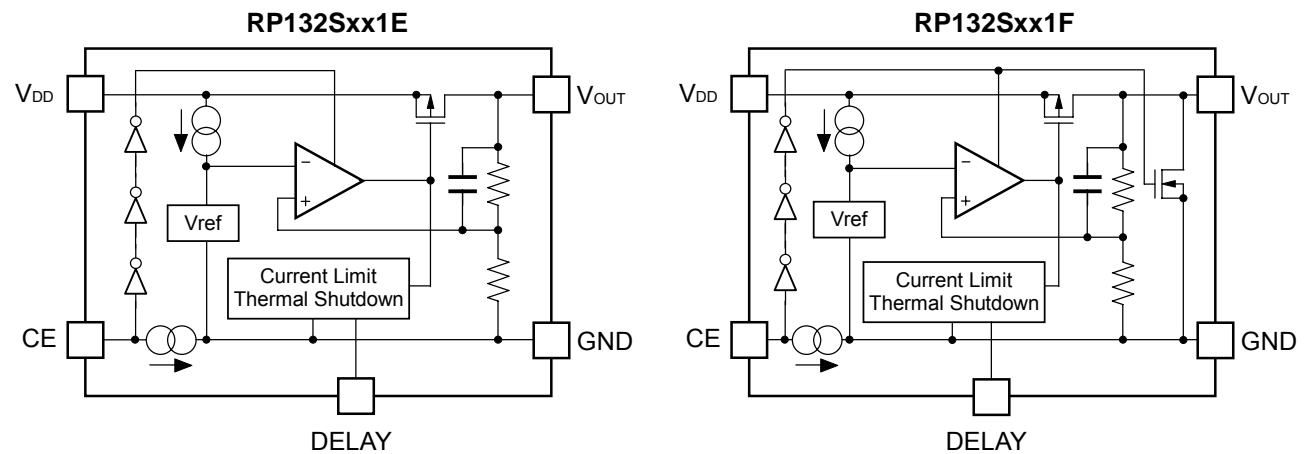
- Fixed Output Voltage Type (HSOP-6J / SOT89-5)



- Fixed Output Voltage Type (TO-252-5-P2 / DFN(PLP)1820-6)



- Fixed Output Voltage Type with DELAY pin (HSOP-6J)



• Fixed Output Voltage Type with DELAY pin (DFN(PLP)1820-6)



• Adjustable Output Voltage Type (HSOP-6J / SOT-89-5 / TO-252-5-P2 /DFN(PLP)1820-6)



• Adjustable Output Voltage Type with DELAY pin (DFN(PLP)1820-6)



RP132x

NO.EA-265-160426

SELECTION GUIDE

The output voltage, the auto discharge function, and the package type for the ICs can be selected at the user's request.

Product Name	Package	Quantity per Reel	Pb Free	Halogen Free
RP132K001*-TR	DFN(PLP)1820-6	5,000 pcs	Yes	Yes
RP132Kxx1*-TR				
RP132H001#-T1-FE	SOT-89-5	1,000 pcs	Yes	Yes
RP132Hxx1#-T1-FE				
RP132S001#-E2-FE	HSOP-6J	1,000 pcs	Yes	Yes
RP132Sxx1*-E2-FE				
RP132J001#-T1-FE	TO-252-5-P2	3,000 pcs	Yes	Yes
RP132Jxx1#-T1-FE				

RP132x001x is the adjustable output voltage type.

xx: The output voltage can be designated in the range from 0.8V(08) to 5.5V(55) in 0.1V step.

*: The combination of the auto discharge function and delay pin (for setting inrush current limit time) are as follows.

B: without auto discharge function

D: with auto discharge function

E: without auto discharge function, with delay pin (for setting inrush current limit time)

F: with auto discharge function and delay pin (for setting inrush current limit time)

#: The auto discharge function at off state are options as follows.

B: without auto discharge function at off state

D: with auto discharge function at off state

Auto-discharge function quickly lowers the output voltage to 0V, when the chip enable signal is switched from the active mode to the standby mode, by releasing the electrical charge accumulated in the external capacitor.

PIN CONFIGURATIONS



PIN DESCRIPTIONS

• DFN(PLP)1820-6

Pin No.	Symbol	Pin Description
1	V_{OUT}	Output Pin
2	V_{FB}	Feed Back Pin
3	GND	Ground Pin
4	CE	Chip Enable Pin ("H" Active)
5	NC	No Connection (RP132K001B/D, RP132Kxx1B/D)
	DELAY	Delay Pin (for setting inrush current limit time) (RP132K001E/F, RP132Kxx1E/F)
6	V_{DD}	Input Pin

* Tab is GND level. (They are connected to the reverse side of this IC.) The tab is better to be connected to the GND, but leaving it open is also acceptable.

- When using Fixed Output Voltage Type(RP132Kxx1x), the V_{OUT} pin and the V_{FB} pin should be connected.
- When using Adjustable Output Voltage Type (RP132K001x), please follow "Notes on the Adjustable Output Voltage Type Settings".

RP132x

NO.EA-265-160426

• SOT-89-5

Pin No.	Symbol	Pin Description
1	CE	Chip Enable Pin ("H" Active) (RP132Hxx1B/D)
	V _{FB}	Feed Back Pin (RP132H001B/D)
2	GND	Ground Pin
3	NC	No Connection (RP132Hxx1B/D)
	CE	Chip Enable Pin ("H" Active) (RP132H001B/D)
4	V _{DD}	Input Pin
5	V _{OUT}	Output Pin

- When using Adjustable Output Voltage Type (RP132H001x), please follow "Notes on Adjustable Output Voltage Type Settings".

• HSOP-6J

Pin No.	Symbol	Pin Description
1	V _{OUT}	Output Pin
2	GND	Ground Pin* ¹
3	NC	No Connection (RP132Sxx1B/D)
	V _{FB}	Feed Back Pin (RP132S001B/D)
	DELAY	Delay Pin (for setting inrush current limit time)(RP132Sxx1E/F)
4	CE	Chip Enable Pin ("H" Active)
5	GND	Ground Pin* ¹
6	V _{DD}	Input Pin

*¹ No.2 pin and No.5 pin must be wired each other when mounted on boards.

- When using Adjustable Output Voltage Type (RP132S001x), please follow "Notes on Adjustable Output Voltage Type Settings".

• TO-252-5-P2

Pin No.	Symbol	Pin Description
1	CE	Chip Enable Pin ("H" Active)
2	V _{DD}	Input Pin
3	GND	Ground Pin
4	V _{OUT}	Output Pin
5	V _{FB}	Feed Back Pin

* Tab is GND level. (They are connected to the reverse side of this IC.) The tab is better to be connected to the GND, but leaving it open is also acceptable.

- when using Fixed Output Voltage Type(RP132Jxx1x),V_{OUT} pin and V_{FB} pin should be connected.
- When using Adjustable Output Voltage Type (RP132J001x), please follow "Notes on the Adjustable Output Voltage Type Settings".

ABSOLUTE MAXIMUM RATINGS

Symbol	Item	Rating	Unit
V_{IN}	Input Voltage	7.0	V
V_{CE}	Input Voltage (CE Pin)	-0.3 to 7.0	V
V_{FB}	Input Voltage (V_{FB} Pin)	-0.3 to 7.0	V
V_{OUT}	Output Voltage	-0.3 to $V_{IN}+0.3$	V
P_D	Power Dissipation (DFN(PLP)1820-6)*	880	mV
	Power Dissipation (SOT-89-5)*	900	
	Power Dissipation (HSOP-6J)*	1700	
	Power Dissipation (TO-252-5-P2)*	1900	
T_{opt}	Operating Temperature Range	-40 to 85	°C
T_{stg}	Storage Temperature Range	-55 to 125	°C

*) For Power Dissipation, please refer to PACKAGE INFORMATION.

ABSOLUTE MAXIMUM RATINGS

Electronic and mechanical stress momentarily exceeded absolute maximum ratings may cause the permanent damages and may degrade the life time and safety for both device and system using the device in the field. The functional operation at or over these absolute maximum ratings is not assured.

RP132x

NO.EA-265-160426

ELECTRICAL CHARACTERISTICS
 $V_{IN} = \text{Set } V_{OUT} + 1.0V, I_{OUT} = 1mA, C_{IN} = 2.2\mu F, C_{OUT} = 2.2\mu F (V_{OUT} \leq 3.6V), 4.7\mu F (V_{OUT} > 3.6V).$

The specification in is checked and guaranteed by design engineering at $-40^{\circ}C \leq T_{opt} \leq 85^{\circ}C$, unless otherwise noted.

- **RP132xxx1B/D(Fixed Output Voltage Type)**

- **RP132S/Kxx1E/F(Fixed Output Voltage Type with DELAY pin)**

 $T_{opt} = 25^{\circ}C$

Symbol	Item	Conditions	Min.	Typ.	Max.	Unit	
V_{OUT}	Output Voltage	$T_{opt} = 25^{\circ}C$	$V_{OUT} > 1.5V$	$\times 0.99$		$\times 1.01$	V
			$V_{OUT} \leq 1.5V$	-15		15	mV
		$-40^{\circ}C \leq T_{opt} \leq 85^{\circ}C$	$V_{OUT} > 1.5V$	$\times 0.981$		$\times 1.019$	V
			$V_{OUT} \leq 1.5V$	-29		29	mV
I_{LIM}	Output Current Limit		1			A	
$\frac{\Delta V_{OUT}}{\Delta I_{OUT}}$	Load Regulation	$0.1mA \leq I_{OUT} \leq 300mA$		3	20	mV	
		$0.1mA \leq I_{OUT} \leq 1A$		5	60		
V_{DIF}	Dropout Voltage	Refer to the following "Dropout Voltage"					
I_{SS}	Supply Current	$I_{OUT} = 0mA$ ($V_{IN} = 6.5V$)		65	85	μA	
$I_{standby}$	Standby Current	$V_{CE} = 0V, V_{IN} = 6.5V$		0.15	0.60	μA	
$\frac{\Delta V_{OUT}}{\Delta V_{IN}}$	Line Regulation	Set $V_{OUT} + 0.5V \leq V_{IN} \leq 6.5V$ * However, $V_{IN} \geq 1.6V$		0.05	0.10	%/V	
RR	Ripple Rejection	$f = 1kHz$ Ripple 0.2Vp-p $I_{OUT} = 100mA$	$V_{OUT} \leq 3.3V$		70	dB	
			$V_{OUT} > 3.3V$		60		
V_{IN}	Input Voltage		1.4		6.5	V	
$\frac{\Delta V_{OUT}}{\Delta T_{opt}}$	Output Voltage Temperature Coefficient	$-40^{\circ}C \leq T_{opt} \leq 85^{\circ}C$		± 60		ppm/ $^{\circ}C$	
I_{SC}	Short Current Limit	$V_{OUT} = 0V$		250		mA	
I_{PD}	CE Pull-down Current			0.3	0.7	μA	
V_{CEH}	CE Input Voltage "H"		1.0			V	
V_{CEL}	CE Input Voltage "L"				0.4	V	
en	Output Noise	BW=10Hz to 100kHz		70		μV_{rms}	
T_{TSD}	Thermal Shutdown Temperature	Junction Temperature		165		$^{\circ}C$	
T_{TSR}	Thermal Shutdown Released Temperature	Junction Temperature		95		$^{\circ}C$	
R_{LOW}	Low Output Nch Tr. ON Resistance (D/F version)	$V_{IN} = 4.0V, V_{CE} = 0V$		50		Ω	
I_{DELAY}	DELAY pin Current (DELAY pin version)	$V_{IN} = 4.0V$	0.7	1.2	1.7	μA	

All test items listed under Electrical Characteristics are done under the pulse load condition ($T_j \approx T_a = 25^{\circ}C$) except Output Noise, Ripple Rejection, Output Voltage Temperature Coefficient, Dropout Voltage at 1A Output Current and Load Regulation and Thermal Shutdown.

• Dropout Voltage

T_{opt}=25°C

Output Voltage V _{OUT} (V)	Dropout Voltage V _{DIF} (V)					
	Condition	Typ.	Max.	Condition	Typ.	Max.
0.8 ≤ V _{OUT} < 0.9	I _{OUT} =300mA	0.67	0.89	I _{OUT} =1A	1.20	1.54
0.9 ≤ V _{OUT} < 1.0		0.59	0.82		1.10	1.46
1.0 ≤ V _{OUT} < 1.1		0.51	0.73		1.05	1.39
1.1 ≤ V _{OUT} < 1.2		0.42	0.63		0.96	1.31
1.2 ≤ V _{OUT} < 1.5		0.36	0.54		0.90	1.23
1.5 ≤ V _{OUT} < 2.6		0.24	0.33		0.78	1.05
2.6 ≤ V _{OUT} < 3.3		0.15	0.21		0.52	0.72
3.3 ≤ V _{OUT} ≤ 5.5		0.13	0.18		0.46	0.68

The specification in is checked and guaranteed by design engineering at -40°C ≤ T_{opt} ≤ 85°C, unless otherwise noted.

All test items listed under Electrical Characteristics are done under the pulse load condition (T_j ≈ T_a = 25°C) except Output Noise, Ripple Rejection, Output Voltage Temperature Coefficient, Dropout Voltage at 1A Output Current and Load Regulation and Thermal Shutdown.

RECOMMENDED OPERATING CONDITIONS (ELECTRICAL CHARACTERISTICS)

All of electronic equipment should be designed that the mounted semiconductor devices operate within the recommended operating conditions. The semiconductor devices cannot operate normally over the recommended operating conditions, even if when they are used over such conditions by momentary electronic noise or surge. And the semiconductor devices may receive serious damage when they continue to operate over the recommended operating conditions.

RP132x

NO.EA-265-160426

ELECTRICAL CHARACTERISTICS
 $V_{IN} = \text{Set } V_{OUT} + 1.0V, I_{OUT} = 1mA, C_{IN} = 2.2\mu F, C_{OUT} = 2.2\mu F (V_{OUT} \leq 3.6V), 4.7\mu F (V_{OUT} > 3.6V).$

The specification in is checked and guaranteed by design engineering at $-40^{\circ}C \leq T_{opt} \leq 85^{\circ}C$, unless otherwise noted.

- **RP132x001B/D(Adjustable Output Voltage Type)**

- **RP132K001E/F(Adjustable Output Voltage Type with DELAY pin)**

T_{opt}=25°C

Symbol	Item	Conditions		Min.	Typ.	Max.	Unit
V _{FB}	Feedback Voltage	T _{opt} =25°C	V _{OUT} =V _{FB}	0.785	0.800	0.815	V
		-40°C ≤ T _{opt} ≤ 85°C		0.771		0.829	
V _{OUT}	Output Voltage Adjusting Range			0.8		5.5	V
I _{LIM}	Output Current Limit	V _{OUT} =V _{FB}		1			A
ΔV _{OUT} / ΔI _{OUT}	Load Regulation	0.1mA ≤ I _{OUT} ≤ 300mA			3	20	mV
		0.1mA ≤ I _{OUT} ≤ 1A			5	60	
V _{DIF}	Dropout Voltage	V _{OUT} =V _{FB}	I _{OUT} =300mA		0.67	0.89	V
			I _{OUT} =1A		1.20	1.54	
I _{SS}	Supply Current	V _{OUT} =V _{FB} , I _{OUT} =0mA (V _{IN} =6.5V)			65	85	μA
I _{standby}	Standby Current	V _{CE} =0V, V _{IN} =6.5V			0.15	0.60	μA
ΔV _{OUT} / ΔV _{IN}	Line Regulation	V _{OUT} =V _{FB} , 1.6V ≤ V _{IN} ≤ 6.5V			0.05	0.10	%/V
RR	Ripple Rejection	f=1kHz, Ripple 0.2Vp-p, I _{OUT} =100mA	V _{OUT} =V _{FB}		70		dB
V _{IN}	Input Voltage			1.4		6.5	V
ΔV _{OUT} / ΔT _{opt}	Output Voltage Temperature Coefficient	-40°C ≤ T _{opt} ≤ 85°C			±60		ppm/°C
I _{SC}	Short Current Limit	V _{OUT} =V _{FB} =0V			250		mA
I _{PD}	CE Pull-down Current				0.3	0.7	μA
V _{CEH}	CE Input Voltage "H"			1.0			V
V _{CEL}	CE Input Voltage "L"					0.4	V
en	Output Noise	BW=10Hz to 100kHz			70		μVrms
T _{TSD}	Thermal Shutdown Temperature	Junction Temperature			165		°C
T _{TSR}	Thermal Shutdown Released Temperature	Junction Temperature			95		°C
R _{LOW}	Low Output Nch Tr. ON Resistance (D/F version)	V _{IN} =4.0V, V _{CE} =0V			50		Ω
I _{DELAY}	DELAY pin Current (DELAY pin version)	V _{IN} =4.0V		0.7	1.2	1.7	μA

All of unit are tested and specified under load conditions such that T_j≈T_{opt}=25°C except for Output Noise, Ripple Rejection, Output Voltage Temperature Coefficient, Dropout Voltage at 1A Output Current and Load Regulation and Thermal Shutdown.

TYPICAL APPLICATION

- Fixed Output Voltage Type (HSOP-6J/ SOT89-5)



- Fixed Output Voltage Type (TO-252-5-P2/ DFN(PLP)1820-6)



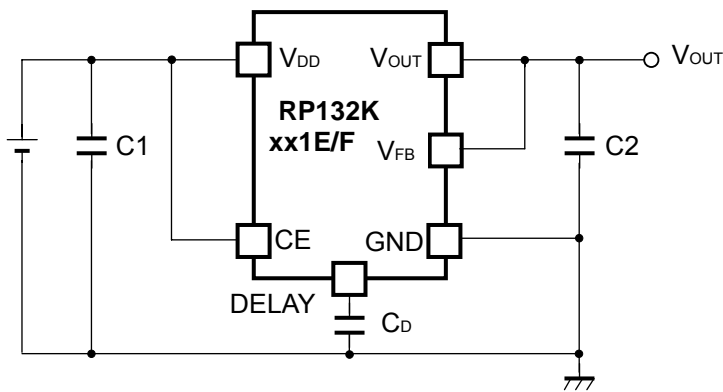
- Adjustable Output Voltage Type (HSOP-6J / SOT89-5/ TO-252-5-P2 / DFN(PLP)1820-6)



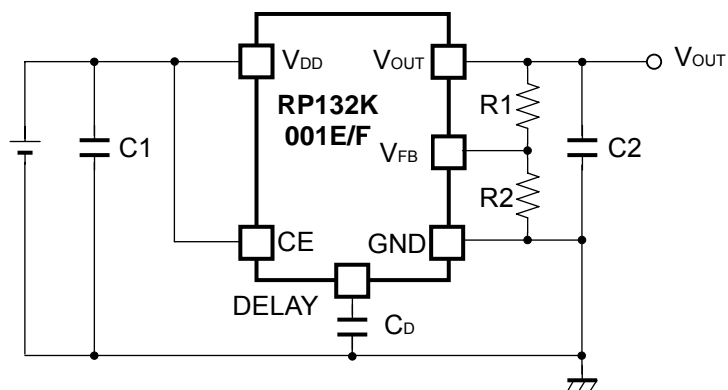
- Fixed Output Voltage Type with DELAY pin (HSOP-6J)



- Fixed Output Voltage Type with DELAY pin (DFN(PLP)1820-6)



- Adjustable Output Voltage Type with DELAY pin (DFN(PLP)1820-6)



Recommendation value of the external capacitors

V_{OUT}	Capacitors	
$V_{OUT} \leq 3.6V$	C1	Kyocera 2.2 μ F (size:1005) [CM05X5R225M06A]
	C2	Kyocera 2.2 μ F (size:1608) [CM105X5R225K06AB]
$V_{OUT} > 3.6V$	C1	Kyocera 2.2 μ F (size:1005) [CM05X5R225K06A]
	C2	Kyocera 4.7 μ F (size:1608) [CM105X5R475M06AB]

Please refer to "Technical Notes on Adjustable Output Voltage Type" when using R1 and R2 as output capacitors. Also refer to "Inrush Current Limit Time Settings" concerning with C_D .

TECHNICAL NOTES

When using these ICs, consider the following points:

Phase Compensation

In these ICs, phase compensation is made for securing stable operation even if the load current is varied. For this purpose, use a capacitor C2 with good frequency characteristics and ESR (Equivalent Series Resistance).

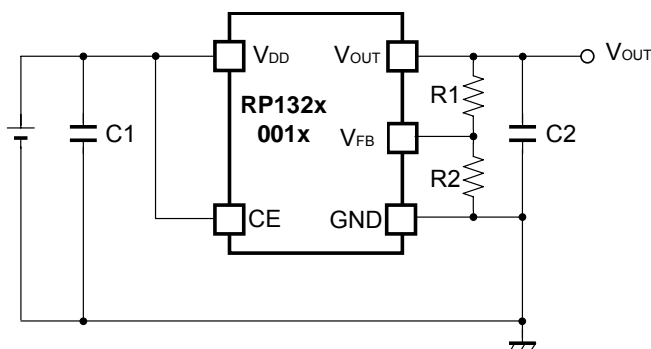
If a tantalum capacitor is used, and its ESR of C2 is large, the loop oscillation may result. Because of this, select C2 carefully considering its frequency characteristics.

PCB Layout

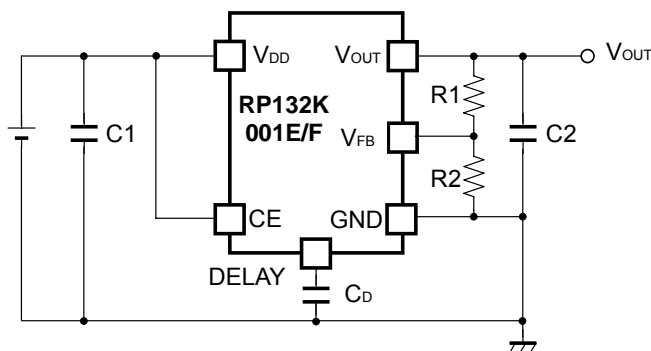
Make V_{DD} and GND lines sufficient. If their impedance is high, noise pickup or unstable operation may result. Connect a capacitor C1 between V_{DD} and GND pin with a capacitance value as "Recommendation value of the external capacitors" above or more, and as close as possible to the pins.

Set external components, especially the output capacitor C2, as close as possible to the ICs, and make wiring as short as possible.

TECHNICAL NOTES on Adjustable Output Voltage Type



Typical Application for Adjustable Output Voltage Type (HSOP-6J / SOT89-5 / TO-252-5-P2 / DFN(PLP)1820-6)



Typical Application for Adjustable Output Voltage Type with DELAY pin (DFN(PLP)1820-6)

Recommendation value of the external capacitors

V_{OUT}	Capacitors	
$V_{OUT} \leq 3.6V$	C1	Kyocera 2.2 μ F (size:1005) [CM05X5R225M06A]
	C2	Kyocera 2.2 μ F (size:1608) [CM105X5R225K06AB]
$V_{OUT} > 3.6V$	C1	Kyocera 2.2 μ F (size:1005) [CM05X5R225K06A]
	C2	Kyocera 4.7 μ F (size:1608) [CM105X5R475M06AB]

Phase Compensation

Similar to the Fixed Output Voltage Type, Phase compensation is made for the Adjustable Output Voltage Type for securing stable operation even if the load current is varied. For this purpose, use a 4.7 μ F or more capacitor C2 between V_{OUT} pin and GND pin, and as close as possible to the pins.

PCB Layout

Make V_{DD} and GND lines sufficient. If their impedance is high, noise pickup or unstable operation may result. Connect a capacitor C1 with a capacitance value as much as 2.2 μ F or more between V_{DD} and GND pin, and as close as possible to the pins.

When using the Adjustable Output Voltage Type, the transient response could be affected by the external resistors. Evaluate the circuit taking the actual conditions of use into account.

Adjustable Output Voltage Type Settings

• Output Voltage Setting Method

RP132x081x can be adjusted the output voltage up to 5.5V by using the external divider resistors.

Also, please use 16kΩ or less for R2 resistor.

If the V_{FB} voltage is described as setV_{FB}, the output voltage can be set by using the following equations
SetV_{FB} is equal to 0.8V. The V_{OUT} pin of RP132x081x should be connected to the V_{FB} pin.



$$I_1 = I_{ic} + I_2 \dots\dots\dots (1)$$

$$I_2 = \text{set}V_{FB} / R_2 \dots\dots\dots (2)$$

Thus,

$$I_1 = I_{ic} + \text{set}V_{FB} / R_2 \dots\dots\dots (3)$$

Therefore,

$$V_{OUT} = \text{set}V_{FB} \times R_1 \times I_1 \dots\dots\dots (4)$$

Put Equation (3) into Equation (4), then

$$\begin{aligned} V_{OUT} &= \text{set}V_{FB} + R_1(I_{ic} + \text{set}V_{FB} / R_2) \\ &= \text{set}V_{FB} \times (1 + R_1 / R_2) + R_1 \times I_{ic} \dots\dots\dots (5) \end{aligned}$$

In Equation (5), R₁ × I_{ic} is the error-causing factor in V_{OUT}.

As for I_{ic},

$$I_{ic} = \text{set}V_{FB} / R_{ic} \dots\dots\dots (6)$$

Therefore, the error-causing factor R₁ × I_{ic} can be described as follows.

$$\begin{aligned} R_1 \times I_{ic} &= R_1 \times \text{set}V_{FB} / R_{ic} \\ &= \text{set}V_{FB} \times R_1 / R_{ic} \dots\dots\dots (7) \end{aligned}$$

For better accuracy, choosing R₁ (<<R_{ic}) reduces this error.

Without the error-causing factor R₁ × I_{ic}, the output voltage can be calculated by the following equation

$$V_{OUT} = \text{set}V_{FB} \times ((R_1 + R_2) / R_2) \dots\dots\dots (8)$$

R_{ic} of RP132x is approximately Typ.1.3MΩ (T_{opt}=25°C, this value is guaranteed by design.).

The value could be affected by the temperature, therefore evaluate the circuit taking the actual conditions of use into account.

Inrush Current Limit Time Settings

The RP132xSeries include the circuit which can limit the inrush current at start-up to 500mA or less.

The current limit time of B/D version is fixed internally as approximately Typ.500 μ s.

On the other hand, the current limit times of E/F versions are adjustable by controlling the DELAY pin value, which is the capacitance value connected between DLEAY pin and GND pin.

The relation between Inrush Current Limit Time (t_D [s]) and the DELAY pin capacitance (C_D [F]) can be described in the following equation.

$$t_D=(C_D+70 \times 10^{-12}) \times 0.525 \times 10^6$$

When not using C_D on E/F versions, DELAY pin should be open.

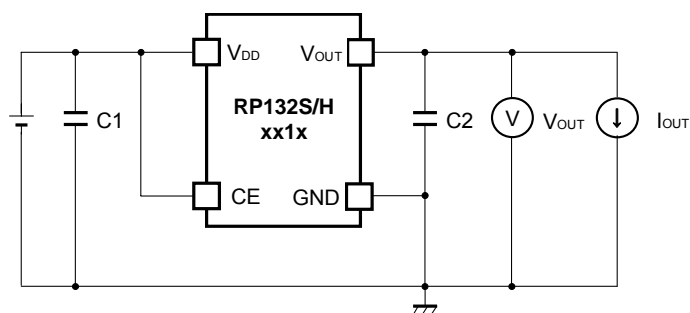
In this case, $C_D=0$ is applied to the above equation and as a result, 37 μ s can be obtained.

That means, when using C_D on E/F versions, the inrush current limit time will be more than 37 μ s.

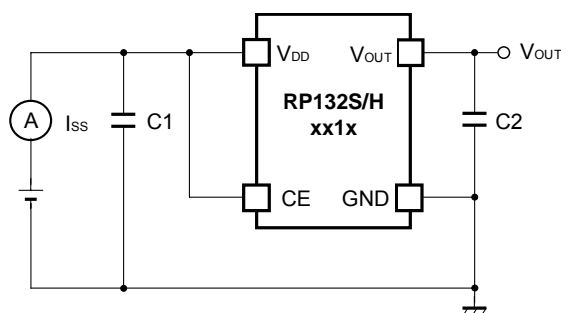
Please note that during the inrush current limit time, the load current cannot be more than the limited current.

TEST CIRCUITS

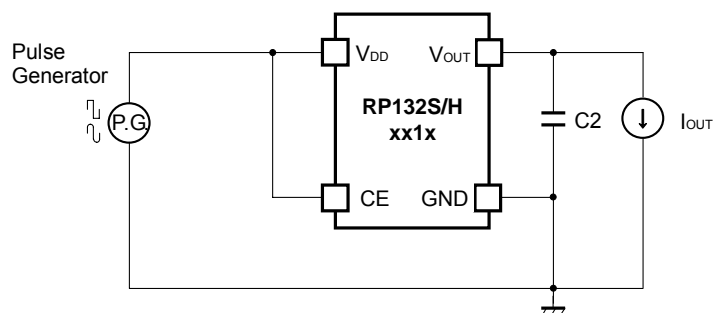
- Fixed Output Voltage Type (HSOP-6J / SOT89-5)



Basic Test Circuit



Test Circuit for Supply Current



Test Circuit for Ripple Rejection

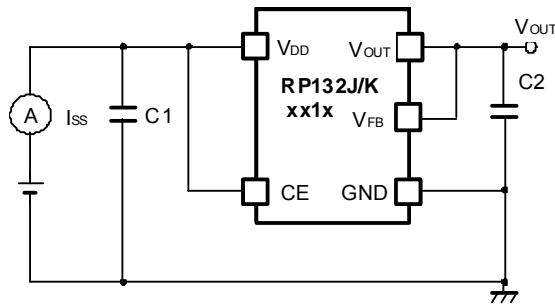


Test Circuit for Load Transient Response

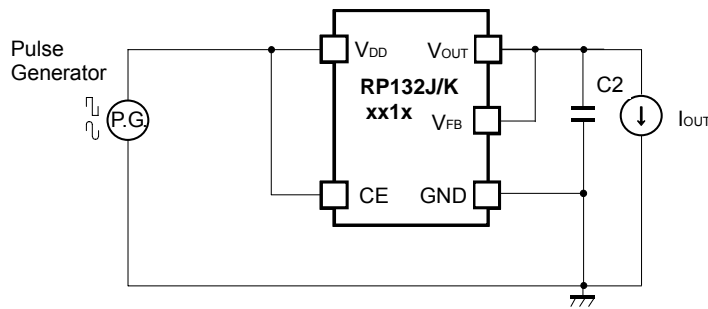
• Fixed Output Voltage Type (TO-252-5-P2 / DFN(PLP)1820-6)



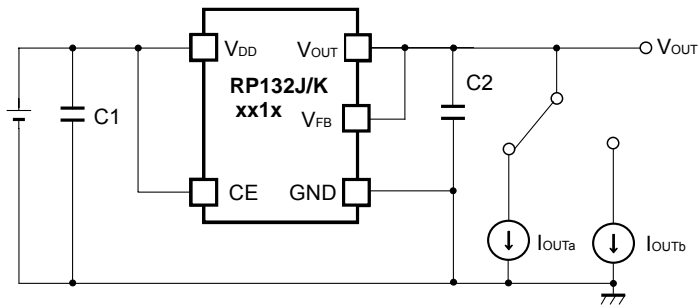
Basic Test Circuit



Test Circuit for Supply Current

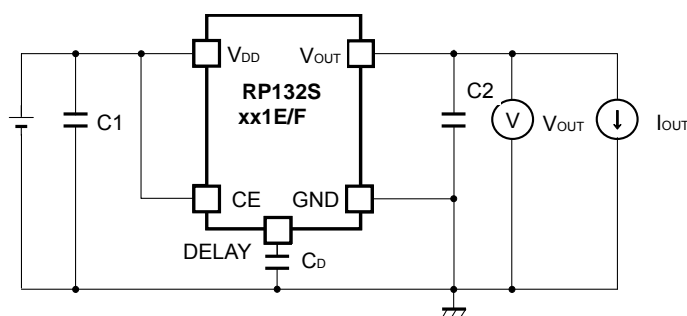


Test Circuit for Ripple Rejection

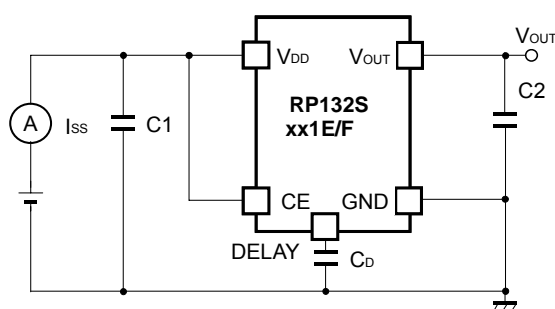


Test Circuit for Load Transient Response

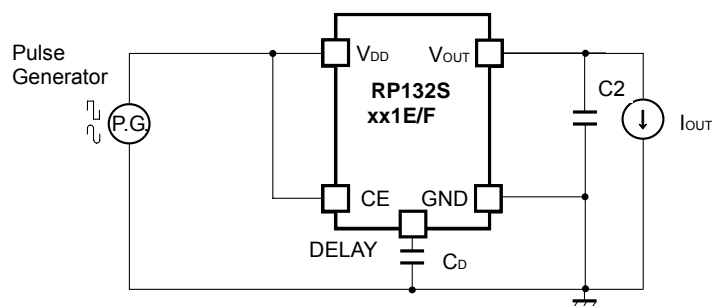
• Fixed Output Voltage Type with DELAY pin (HSOP-6J)



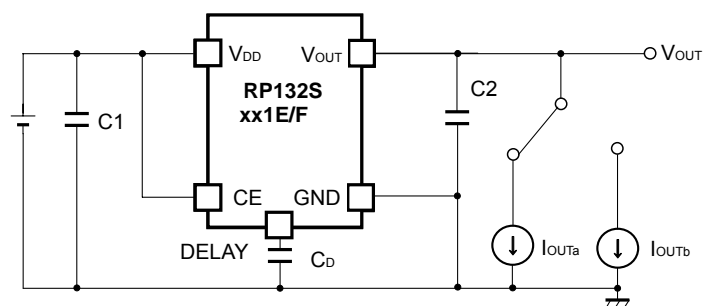
Basic Test Circuit



Test Circuit for Supply Current



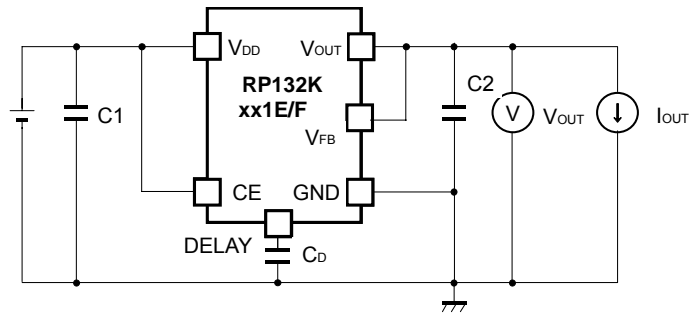
Test Circuit for Ripple Rejection



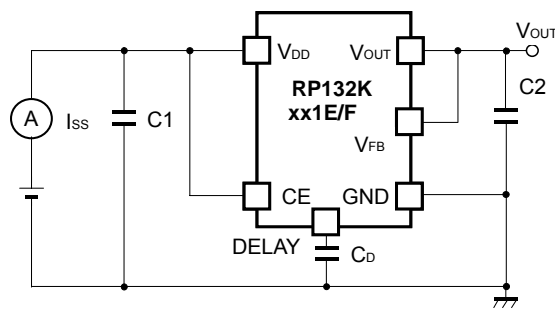
Test Circuit for Load Transient Response

Please refer to "Inrush Current Limit Time Settings" concerning with C_D .

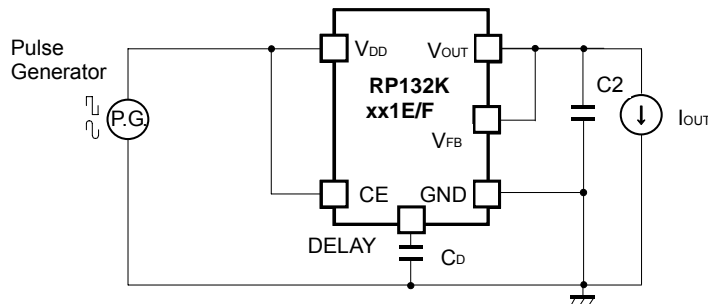
• Fixed Output Voltage Type with DELAY pin (DFN(PLP)1820-6)



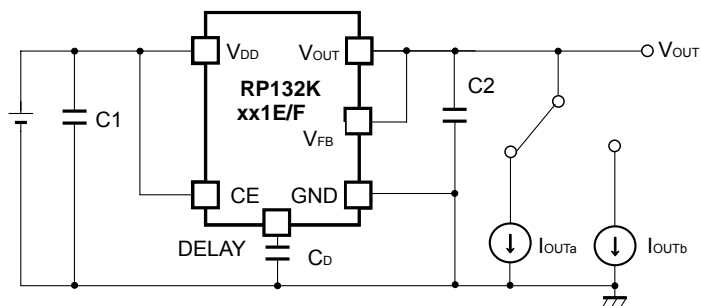
Basic Test Circuit



Test Circuit for Supply Current



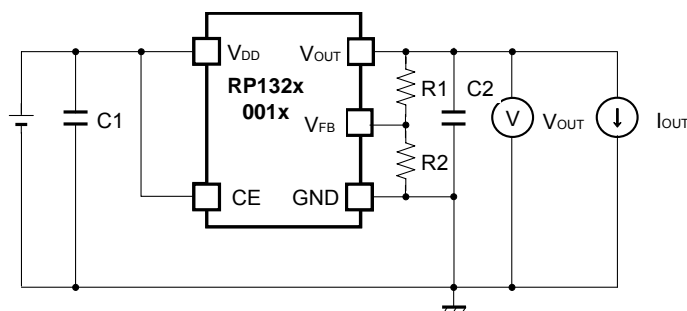
Test Circuit for Ripple Rejection



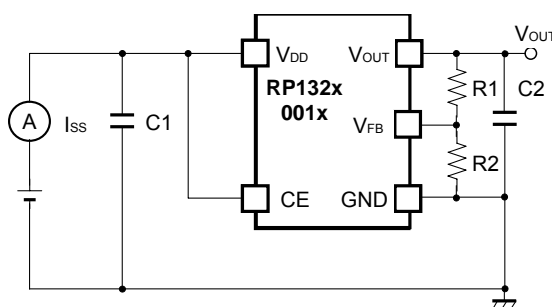
Test Circuit for Load Transient Response

Please refer to "Inrush Current Limit Time Settings" concerning with C_D .

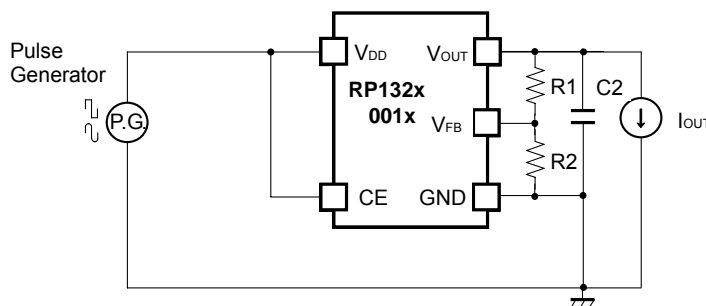
• Adjustable Output Voltage Type (HSOP-6J / SOT89-5/ TO-252-5-P2 / DFN(PLP)1820-6)



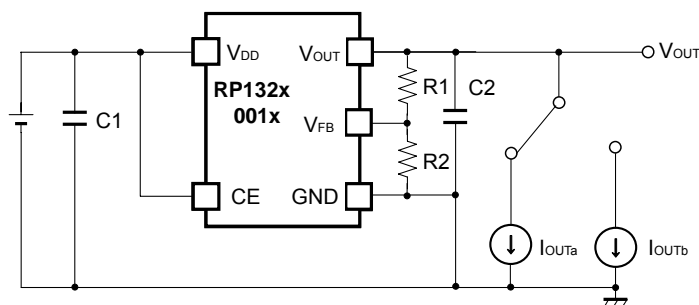
Basic Test Circuit



Test Circuit for Supply Current



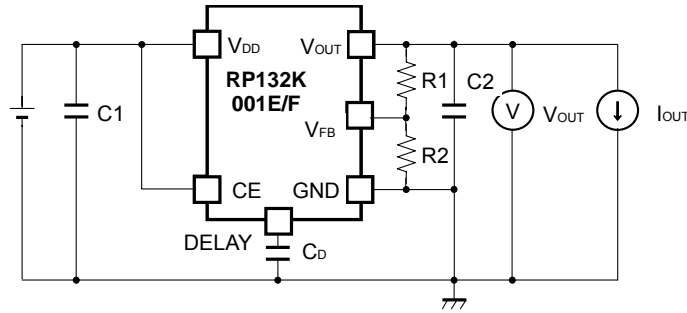
Test Circuit for Ripple Rejection



Test Circuit for Load Transient Response

Please refer to "Technical Notes on Adjustable Output Voltage Type" when using R1 and R2 as output capacitors.

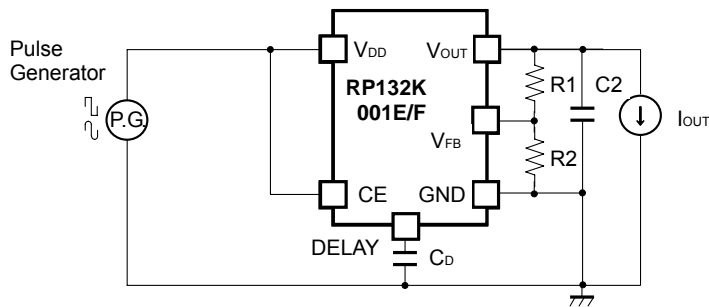
• **Adjustable Output Voltage Type with DELAY pin (DFN(PLP)1820-6)**



Basic Test Circuit



Test Circuit for Supply Current



Test Circuit for Ripple Rejection



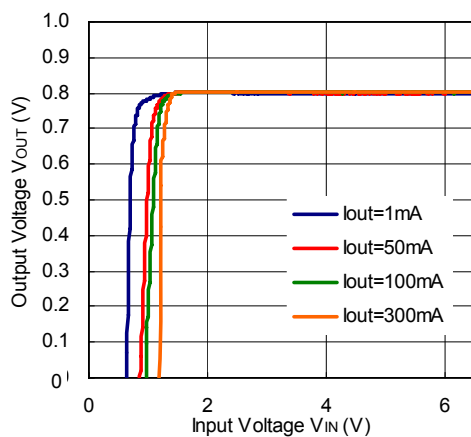
Test Circuit for Load Transient Response

Please refer to "Technical Notes on Adjustable Output Voltage Type" when using R1 and R2 as output capacitors. Also refer to "Inrush Current Limit Time Settings" concerning with C_D .

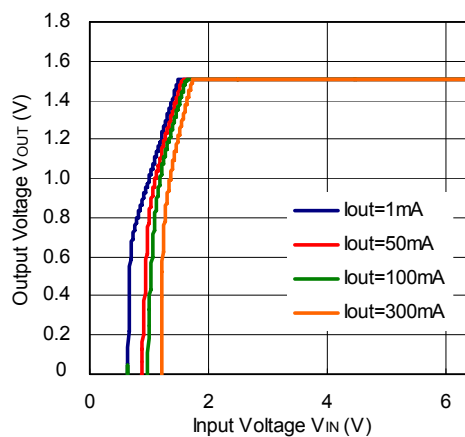
TYPICAL CHARACTERISTICS

1) Output Voltage vs. Input Voltage (T_{opt}=25°C)

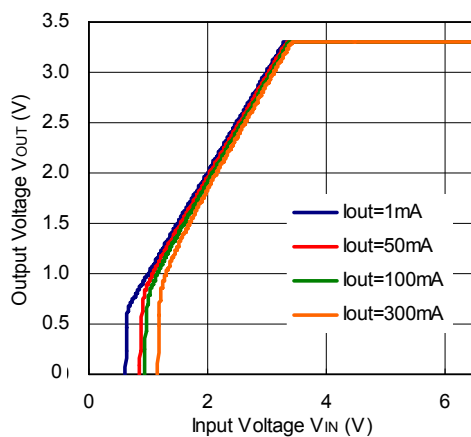
RP132x081x



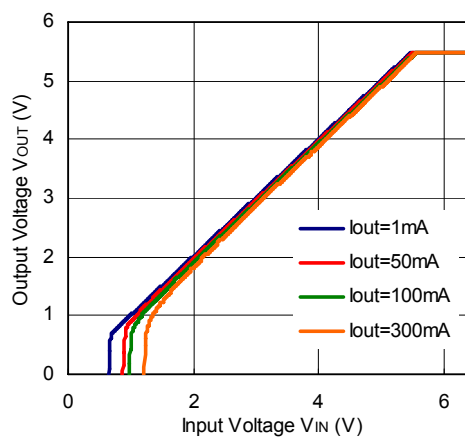
RP132x151x



RP132x331x

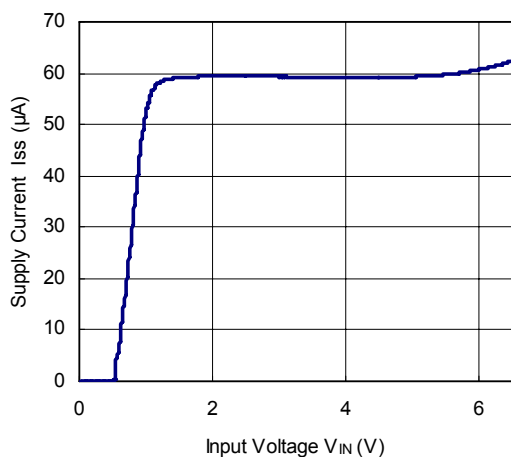


RP132x551x

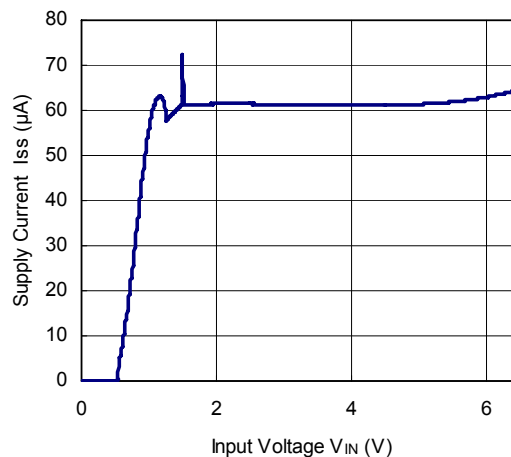


2) Supply Current vs. Input Voltage (T_{opt}=25°C)

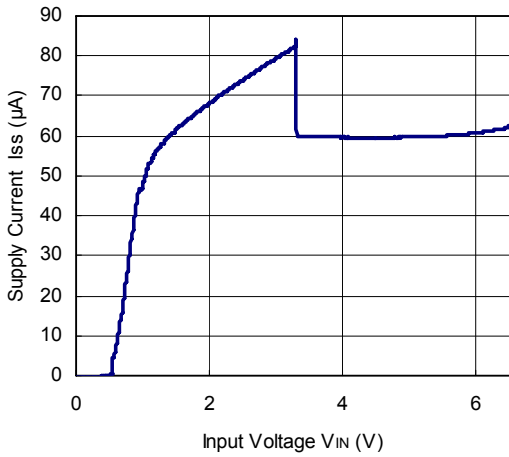
RP13x081x



RP132x151x



RP132x331x

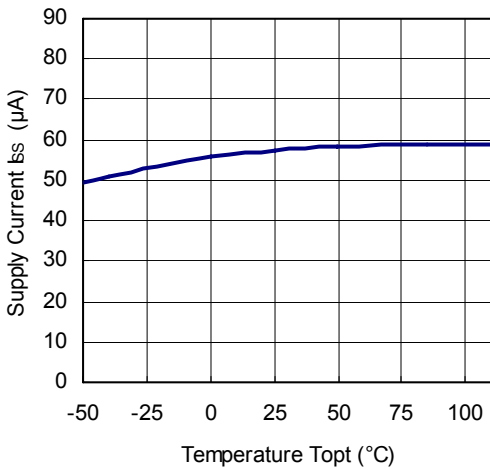


RP132x551x

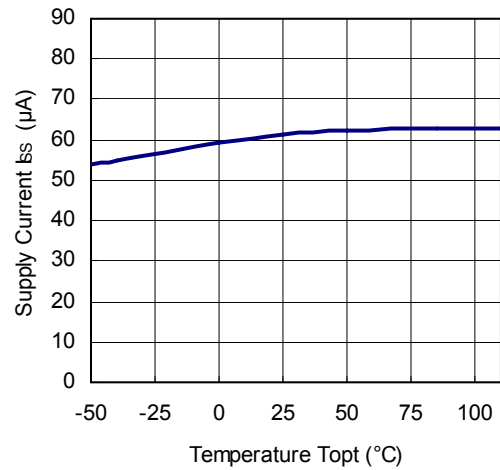


3) Supply Current vs. Temperature

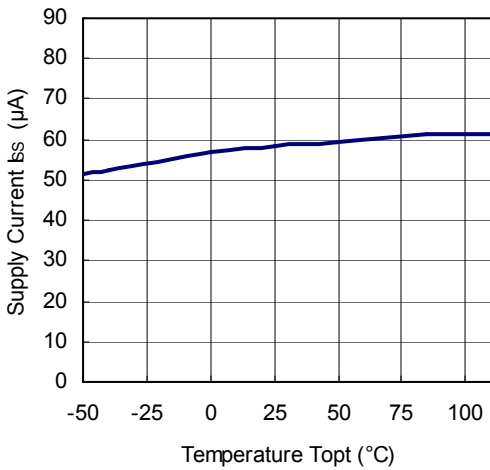
RP132x081x



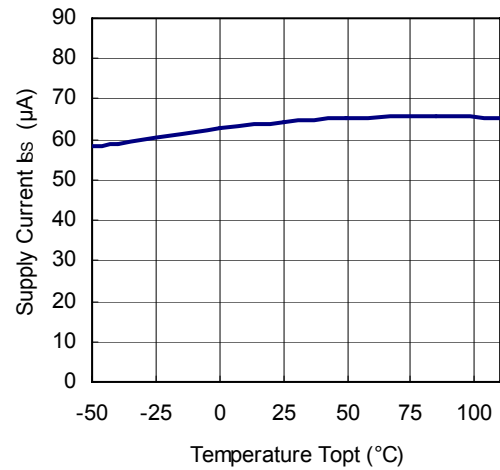
RP132x151x



RP132x331x

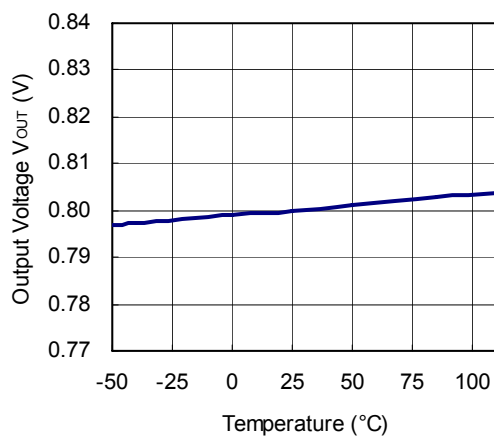


RP132x551x

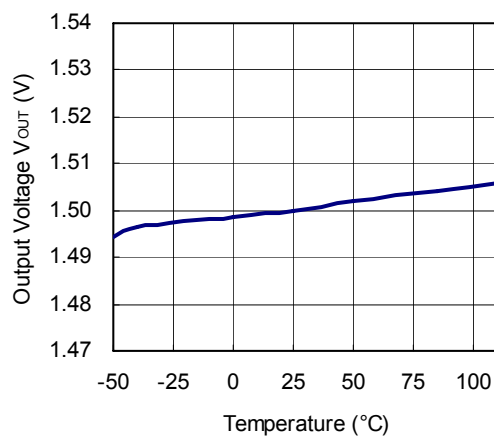


4) Output Voltage vs. Temperature

RP132x081x



RP132x151x



RP132x331x

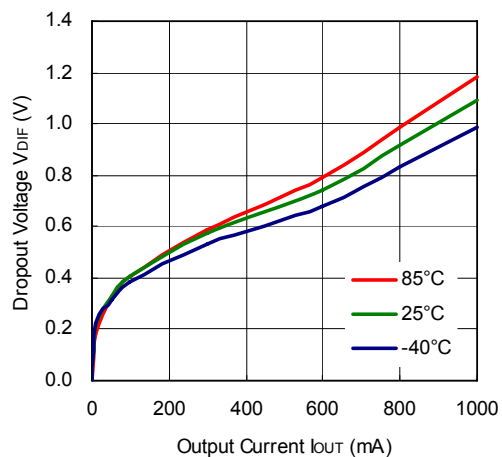


RP132x551x

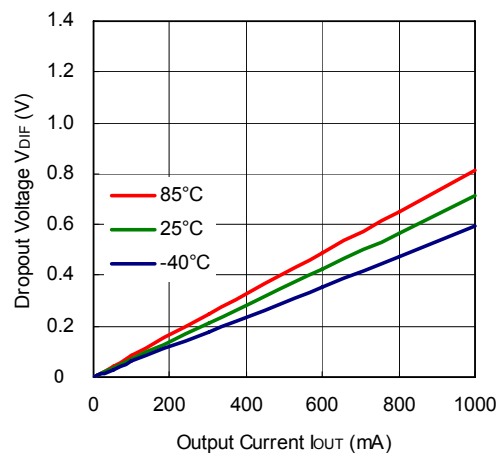


5) Dropout Voltage vs. Output Current

RP132x081x



RP132x151x



RP132x

NO.EA-265-160426

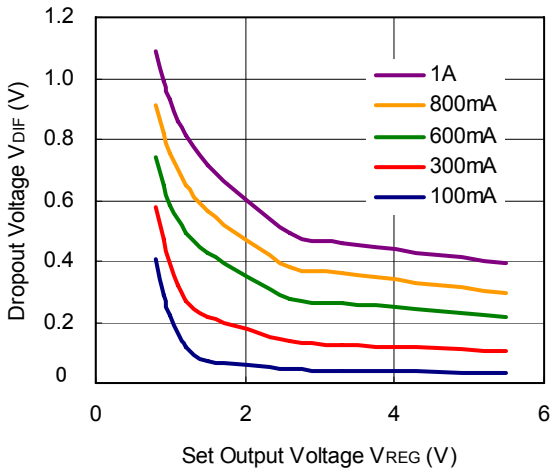
RP132x331x



RP132x551x

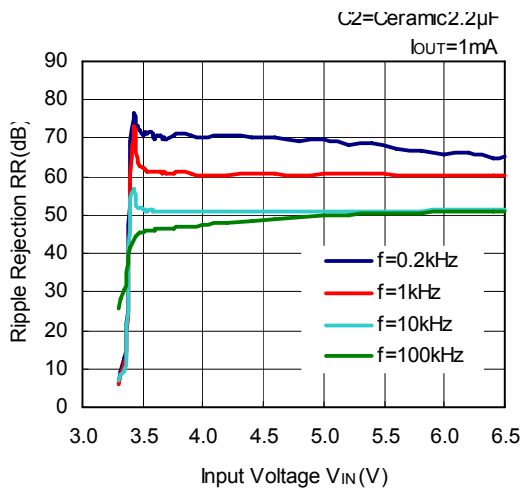


6) Dropout Voltage vs. Set Output Voltage

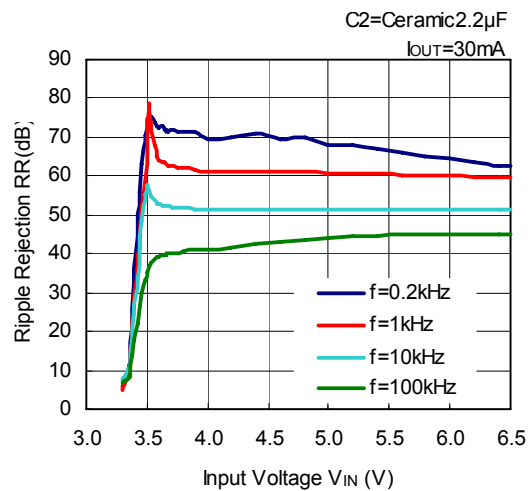


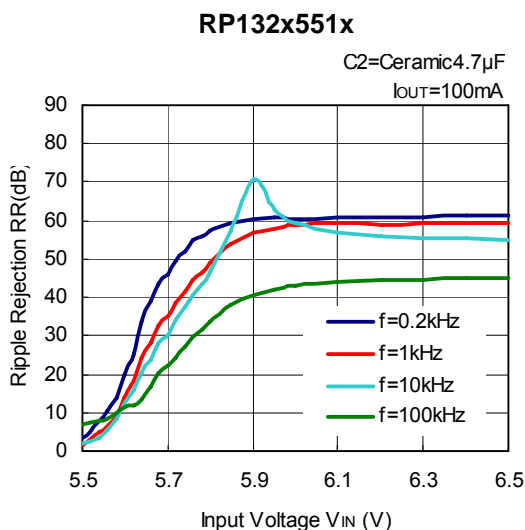
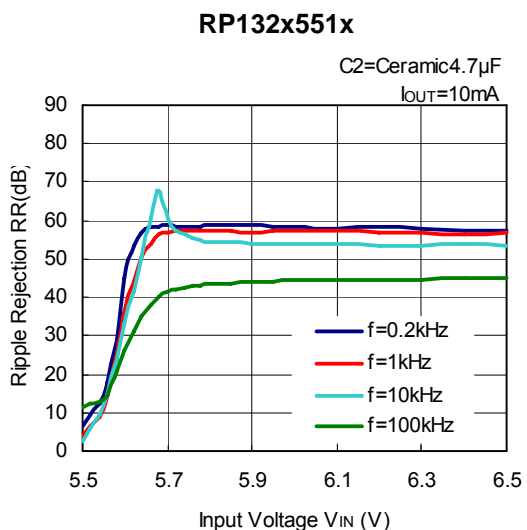
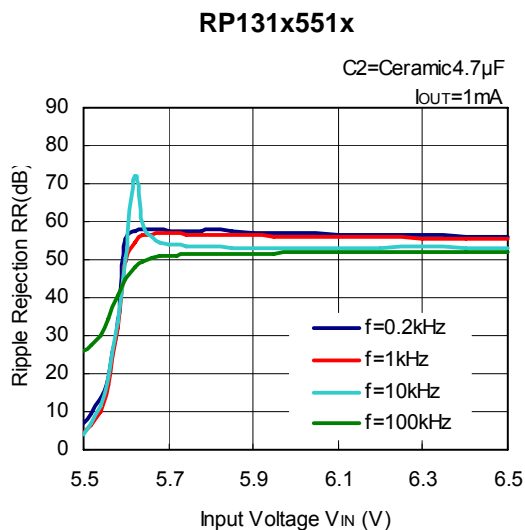
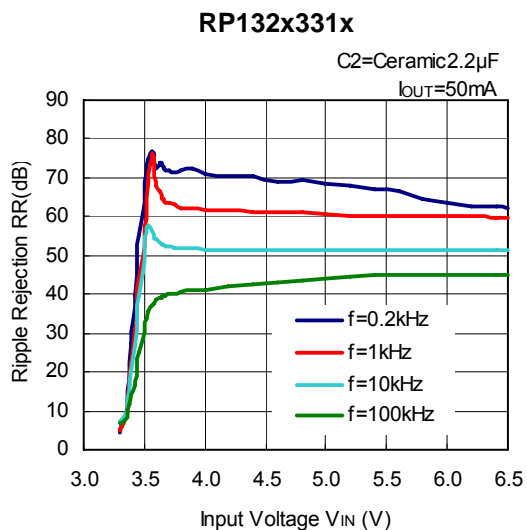
7) Ripple Rejection vs. Input Voltage (C1=none, Ripple=0.2Vp-p, T_{opt}=25°C)

RP132x331x

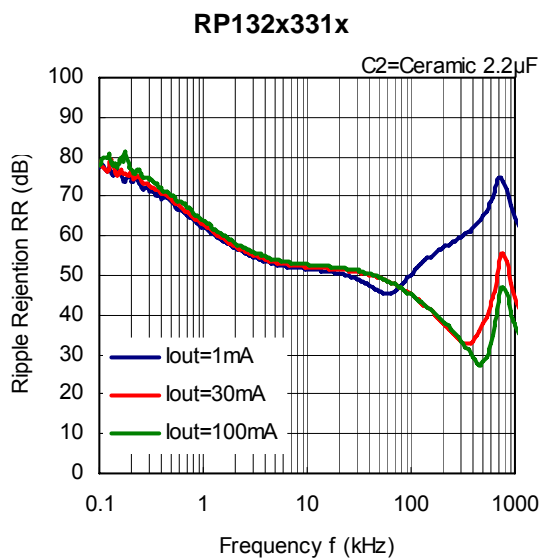
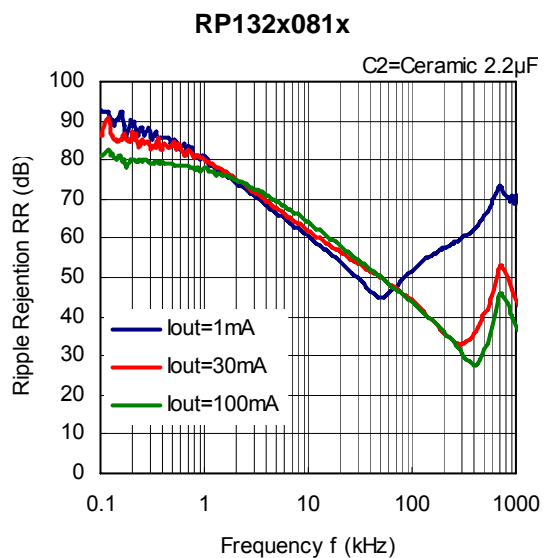


RP132x331x





8) Ripple Rejection vs. Frequency (C1=none, T_{opt}=25°C)



RP132x551x

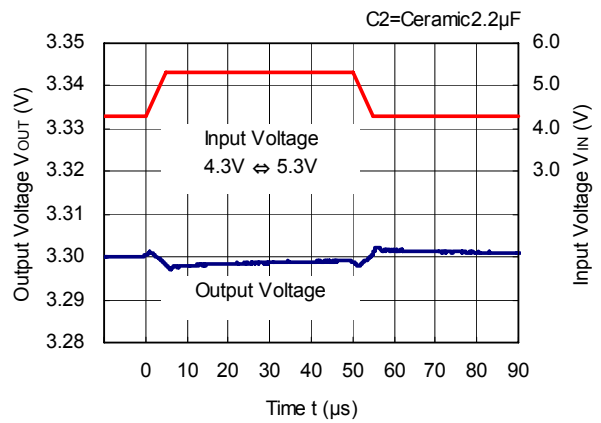


9) Input Transient Response (C1=none, Iout=100mA, tr=tf=5 μ s, Topt=25 $^{\circ}$ C)

RP132x081x



RP132x331x



RP132x551x



10) Load Transient Response ($V_{IN}=V_{OUT}+1.0V$, $C_1=Ceramic\ 2.2\mu F$, $t_r=t_f=0.5\mu s$, $T_{opt}=25^{\circ}C$)



RP132x

NO.EA-265-160426

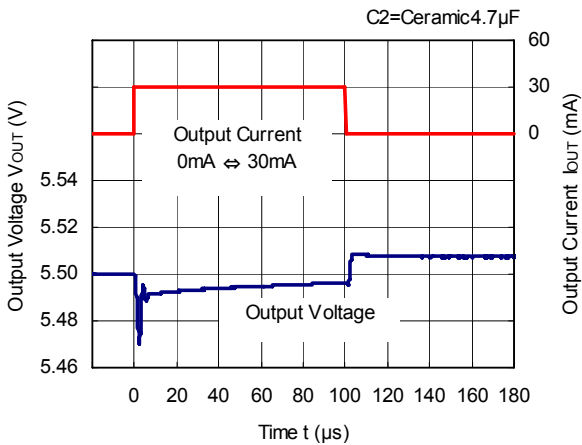
RP132x551x



RP132x551x

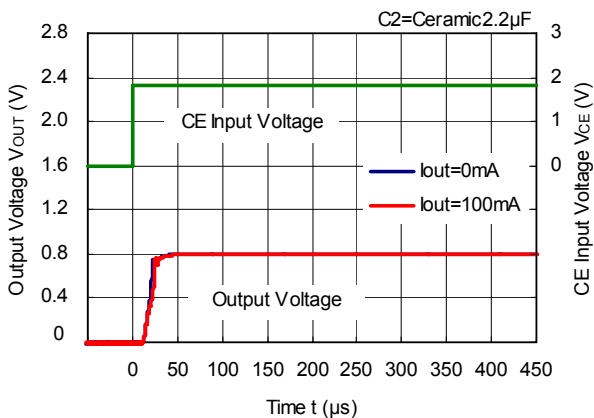


RP132x551x

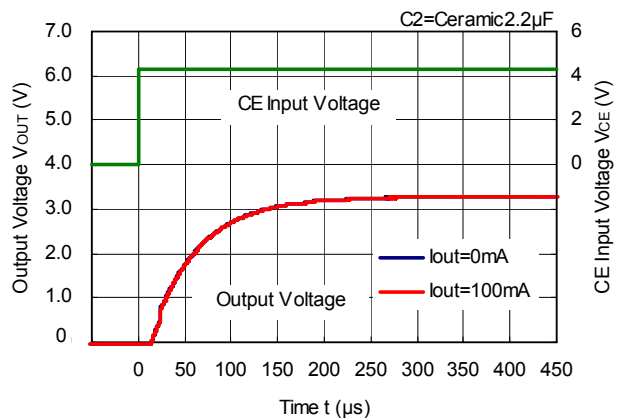


11) Turn on Speed with CE pin (C1=Ceramic 2.2 μ F, T_{opt} =25 $^{\circ}$ C)

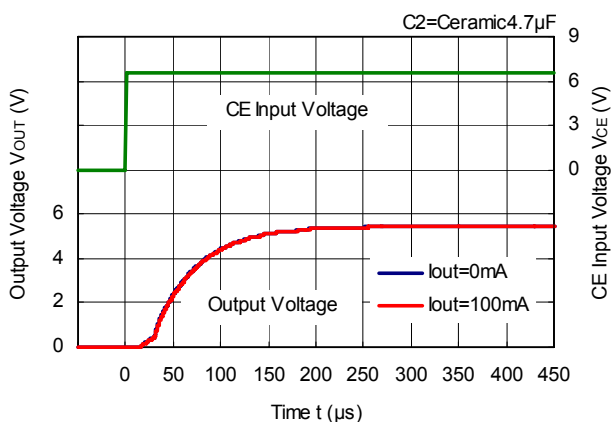
RP132x081x



RP132x331x

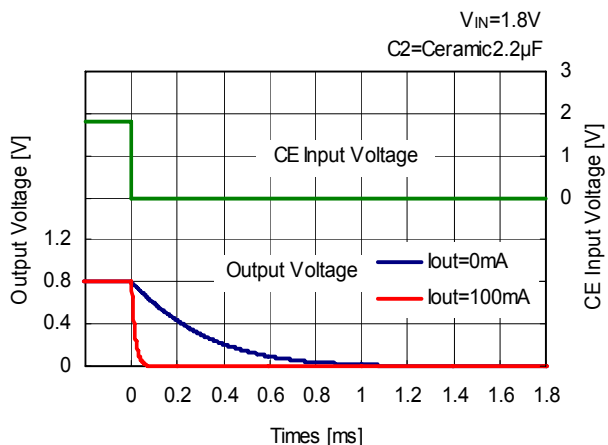


RP132x551x

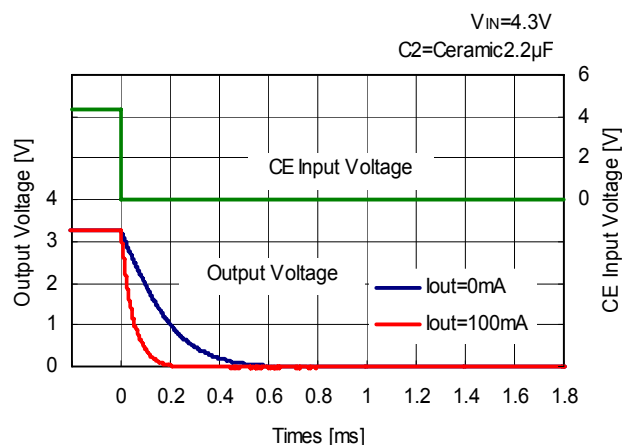


12) Turn off Speed with CE pin (D version) (C1=Ceramic 2.2μF, T_{opt}=25°C)

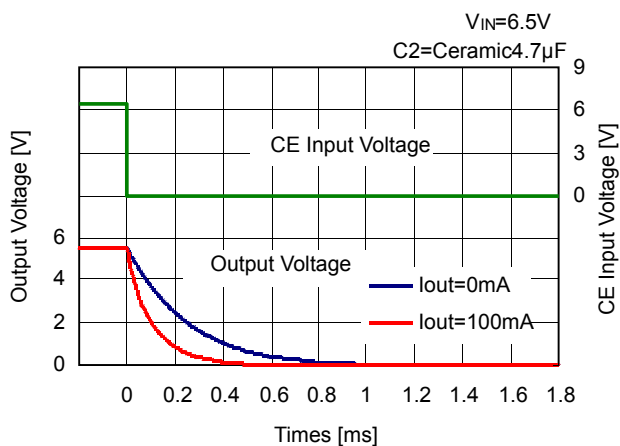
RP132x081D



RP132x331D



RP132x551D



RP132x

NO.EA-265-160426

13) Inrush Current (C1=Ceramic 2.2μF, I_{OUT}=100mA, T_{opt}=25°C)

RP132x081x



RP132x331x



RP132x551x



14) Minimum Operating Voltage

RP132x081x



The operation range that can output 0.8V is shown by the hatched area in the graph.

15) Inrush Current Limit Time vs. C_D Capacitance (E / F Version)

RP132x081x



16) Inrush Current Limit Time vs. Input Voltage (E / F Version)

RP132x081x



ESR vs. Output Current

When using these ICs, consider the following points:

The relations between I_{OUT} (Output Current) and ESR of an output capacitor are shown below.

The conditions when the white noise level is under $40\mu V$ (Avg.) are marked as the hatched area in the graph.

Measurement Conditions

Frequency Band : 10Hz to 2MHz

Temperature : $-40^{\circ}C$ to $85^{\circ}C$

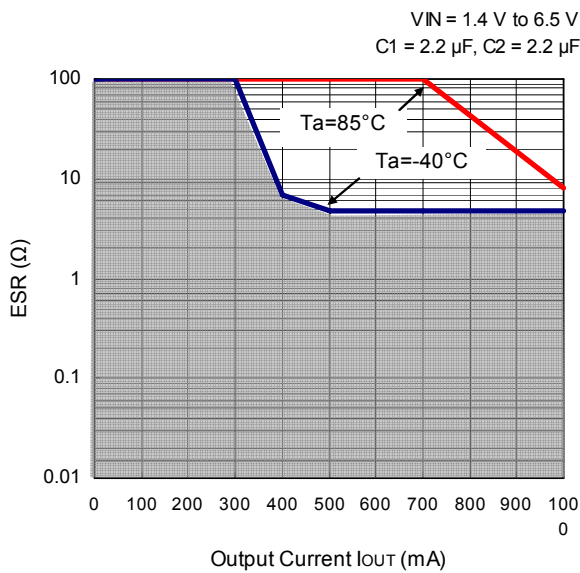
Hatched Area : Noise level is under $40\mu Vms$ (Avg.)

C_{IN} : $2.2\mu F$ (Kyocera CM05X5R225M06A)

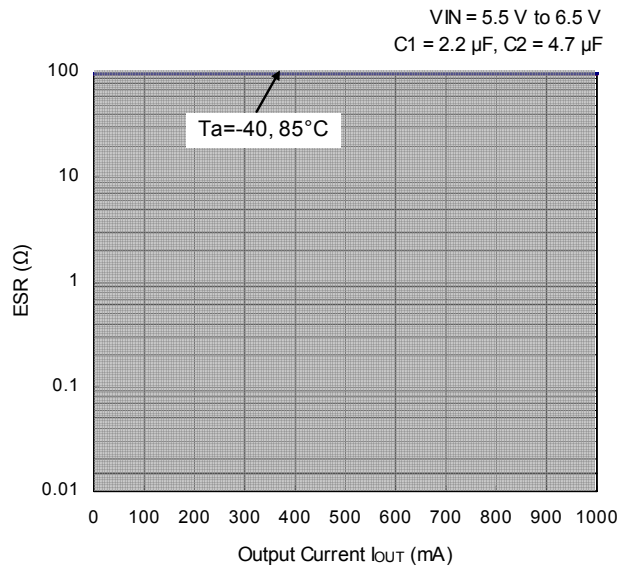
C_{OUT} : $2.2\mu F$ ($V_{OUT} = 0.8V$, Kyocera CM105X5R225K06AB)

$4.7\mu F$ ($V_{OUT} = 5.5V$, Kyocera CM105X5R475M06AB)

RP132x081x



RP132x551x



PACKAGE INFORMATION

Power Dissipation (DFN(PLP)1820-6)

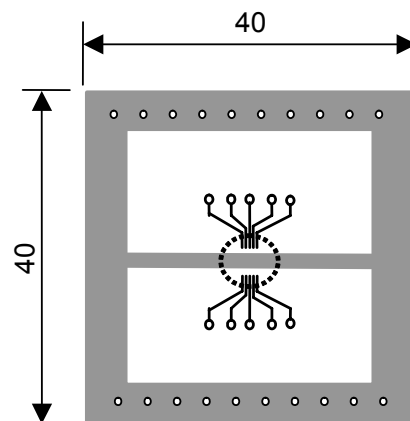
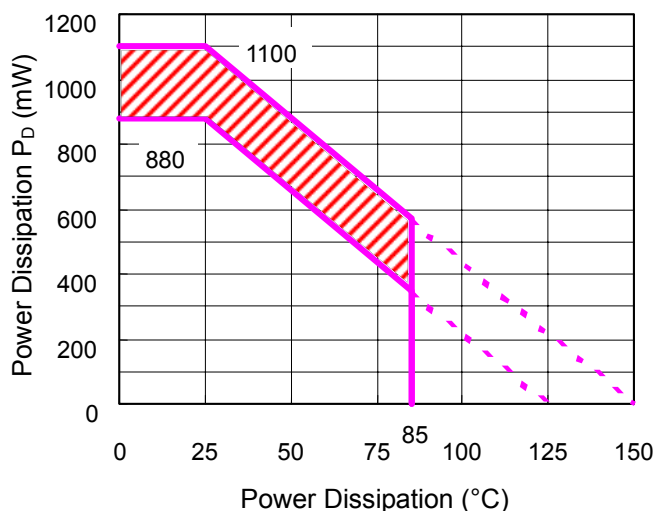
Power Dissipation (P_D) of the package is dependent on PCB material, layout, and environmental conditions. The following conditions are used in this measurement.

Measurement Conditions

	Standard Test Land Pattern
Environment	Mounting on Board (Wind Velocity = 0 m/s)
Board Material	Glass Cloth Epoxy Plastic (Double-sided)
Board Dimensions	40 mm x 40 mm x 1.6 mm
Copper Ratio	Top side: Approx. 50%, Back side: Approx. 50%
Through-holes	ϕ : 0.54 mm x 30 pcs

Measurement Result ($T_a = 25^\circ\text{C}$)

	Standard Test Land Pattern
Power Dissipation	880mW ($T_{jmax}=125^\circ\text{C}$) 1100mW ($T_{jmax}=150^\circ\text{C}$)
Thermal Resistance	$\theta_{ja} = (125-25^\circ\text{C}) / 0.88\text{W} = 114^\circ\text{C} / \text{W}$



IC Mount Area (Unit: mm)

Power Dissipation vs. Ambient Temperature

Measurement Board Pattern

Note: The above graph shows the Power Dissipation of the package based on $T_{jmax}=125^\circ\text{C}$ and $T_{jmax}=150^\circ\text{C}$. Operating the IC in the shaded area in the graph might have an influence on its lifetime. Operating time must be within the time limit described in the table below, in case of operating in the shaded area.

Operating Time	Estimated Years (Operating four hours/ day)
13,000 hours	9 years

RP132K Series Mark Specification Table

PKG: DFN(PLP)1820-6

● RP132Kxx1B		● RP132Kxx1D		● RP132Kxx1E		● RP132Kxx1F		設定電圧
製品名	①②③④	製品名	①②③④	製品名	①②③④	製品名	①②③④	
RP132K081B	CX08	RP132K081D	CY08	RP132K081E	DF08	RP132K081F	DG08	0.8V
RP132K091B	CX09	RP132K091D	CY09	RP132K091E	DF09	RP132K091F	DG09	0.9V
RP132K101B	CX10	RP132K101D	CY10	RP132K101E	DF10	RP132K101F	DG10	1.0V
RP132K111B	CX11	RP132K111D	CY11	RP132K111E	DF11	RP132K111F	DG11	1.1V
RP132K121B	CX12	RP132K121D	CY12	RP132K121E	DF12	RP132K121F	DG12	1.2V
RP132K131B	CX13	RP132K131D	CY13	RP132K131E	DF13	RP132K131F	DG13	1.3V
RP132K141B	CX14	RP132K141D	CY14	RP132K141E	DF14	RP132K141F	DG14	1.4V
RP132K151B	CX15	RP132K151D	CY15	RP132K151E	DF15	RP132K151F	DG15	1.5V
RP132K161B	CX16	RP132K161D	CY16	RP132K161E	DF16	RP132K161F	DG16	1.6V
RP132K171B	CX17	RP132K171D	CY17	RP132K171E	DF17	RP132K171F	DG17	1.7V
RP132K181B	CX18	RP132K181D	CY18	RP132K181E	DF18	RP132K181F	DG18	1.8V
RP132K191B	CX19	RP132K191D	CY19	RP132K191E	DF19	RP132K191F	DG19	1.9V
RP132K201B	CX20	RP132K201D	CY20	RP132K201E	DF20	RP132K201F	DG20	2.0V
RP132K211B	CX21	RP132K211D	CY21	RP132K211E	DF21	RP132K211F	DG21	2.1V
RP132K221B	CX22	RP132K221D	CY22	RP132K221E	DF22	RP132K221F	DG22	2.2V
RP132K231B	CX23	RP132K231D	CY23	RP132K231E	DF23	RP132K231F	DG23	2.3V
RP132K241B	CX24	RP132K241D	CY24	RP132K241E	DF24	RP132K241F	DG24	2.4V
RP132K251B	CX25	RP132K251D	CY25	RP132K251E	DF25	RP132K251F	DG25	2.5V
RP132K261B	CX26	RP132K261D	CY26	RP132K261E	DF26	RP132K261F	DG26	2.6V
RP132K271B	CX27	RP132K271D	CY27	RP132K271E	DF27	RP132K271F	DG27	2.7V
RP132K281B	CX28	RP132K281D	CY28	RP132K281E	DF28	RP132K281F	DG28	2.8V
RP132K291B	CX29	RP132K291D	CY29	RP132K291E	DF29	RP132K291F	DG29	2.9V
RP132K301B	CX30	RP132K301D	CY30	RP132K301E	DF30	RP132K301F	DG30	3.0V
RP132K311B	CX31	RP132K311D	CY31	RP132K311E	DF31	RP132K311F	DG31	3.1V
RP132K321B	CX32	RP132K321D	CY32	RP132K321E	DF32	RP132K321F	DG32	3.2V
RP132K331B	CX33	RP132K331D	CY33	RP132K331E	DF33	RP132K331F	DG33	3.3V
RP132K341B	CX34	RP132K341D	CY34	RP132K341E	DF34	RP132K341F	DG34	3.4V
RP132K351B	CX35	RP132K351D	CY35	RP132K351E	DF35	RP132K351F	DG35	3.5V
RP132K361B	CX36	RP132K361D	CY36	RP132K361E	DF36	RP132K361F	DG36	3.6V
RP132K371B	CX37	RP132K371D	CY37	RP132K371E	DF37	RP132K371F	DG37	3.7V
RP132K381B	CX38	RP132K381D	CY38	RP132K381E	DF38	RP132K381F	DG38	3.8V
RP132K391B	CX39	RP132K391D	CY39	RP132K391E	DF39	RP132K391F	DG39	3.9V
RP132K401B	CX40	RP132K401D	CY40	RP132K401E	DF40	RP132K401F	DG40	4.0V
RP132K411B	CX41	RP132K411D	CY41	RP132K411E	DF41	RP132K411F	DG41	4.1V
RP132K421B	CX42	RP132K421D	CY42	RP132K421E	DF42	RP132K421F	DG42	4.2V
RP132K431B	CX43	RP132K431D	CY43	RP132K431E	DF43	RP132K431F	DG43	4.3V
RP132K441B	CX44	RP132K441D	CY44	RP132K441E	DF44	RP132K441F	DG44	4.4V
RP132K451B	CX45	RP132K451D	CY45	RP132K451E	DF45	RP132K451F	DG45	4.5V
RP132K461B	CX46	RP132K461D	CY46	RP132K461E	DF46	RP132K461F	DG46	4.6V
RP132K471B	CX47	RP132K471D	CY47	RP132K471E	DF47	RP132K471F	DG47	4.7V
RP132K481B	CX48	RP132K481D	CY48	RP132K481E	DF48	RP132K481F	DG48	4.8V
RP132K491B	CX49	RP132K491D	CY49	RP132K491E	DF49	RP132K491F	DG49	4.9V
RP132K501B	CX50	RP132K501D	CY50	RP132K501E	DF50	RP132K501F	DG50	5.0V
RP132K511B	CX51	RP132K511D	CY51	RP132K511E	DF51	RP132K511F	DG51	5.1V
RP132K521B	CX52	RP132K521D	CY52	RP132K521E	DF52	RP132K521F	DG52	5.2V
RP132K531B	CX53	RP132K531D	CY53	RP132K531E	DF53	RP132K531F	DG53	5.3V
RP132K541B	CX54	RP132K541D	CY54	RP132K541E	DF54	RP132K541F	DG54	5.4V
RP132K551B	CX55	RP132K551D	CY55	RP132K551E	DF55	RP132K551F	DG55	5.5V
RP132K121B5	CX01	RP132K121D5	CY01	RP132K121E5	DF01	RP132K121F5	DG01	1.25V
RP132K181B5	CX02	RP132K181D5	CY02	RP132K181E5	DF02	RP132K181F5	DG02	1.85V
RP132K281B5	CX03	RP132K281D5	CY03	RP132K281E5	DF03	RP132K281F5	DG03	2.85V
RP132K001B	CX00	RP132K001D	CY00	RP132K001E	DF00	RP132K001F	DG00	-

RP132x

NO.EA-265-160426

Power Dissipation (SOT-89-5)

Power Dissipation (P_D) depends on conditions of mounting on board. This specification is based on the Measurement Conditions below.

Measurement Conditions

	High Wattage Land Pattern	Standard Land Pattern
Environment	Mounting on Board (Wind Velocity=0m/s)	Mounting on Board (Wind Velocity=0m/s)
Board Material	Glass Cloth Epoxy Plastic (Double-sided)	Glass Cloth Epoxy Plastic (Double-sided)
Board Dimensions	30mm x 30mm x 1.6mm	50mm x 50mm x 1.6mm
Copper Ratio	Top-side: Approx. 20%, Back-side: Approx. 100%	Top-side: Approx. 10%, Back-side: Approx. 100%
Through-hole	$\phi 0.85\text{mm} \times 10\text{pcs}$	-

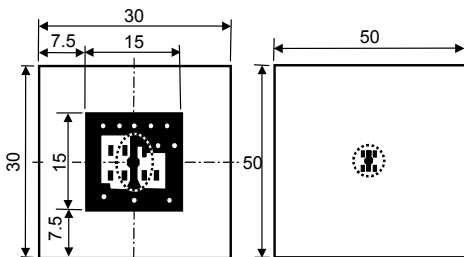
Measurement Result

($T_a=25^\circ\text{C}$)

	High Wattage Land Pattern	Standard Land Pattern	Free Air
Power Dissipation	1300mW	900mW ($T_{j\text{max}}=125^\circ\text{C}$) 1125mW ($T_{j\text{max}}=150^\circ\text{C}$)	500mW
Thermal Resistance	77°C/W	111°C/W	200°C/W




Power Dissipation



High Wattage

Standard

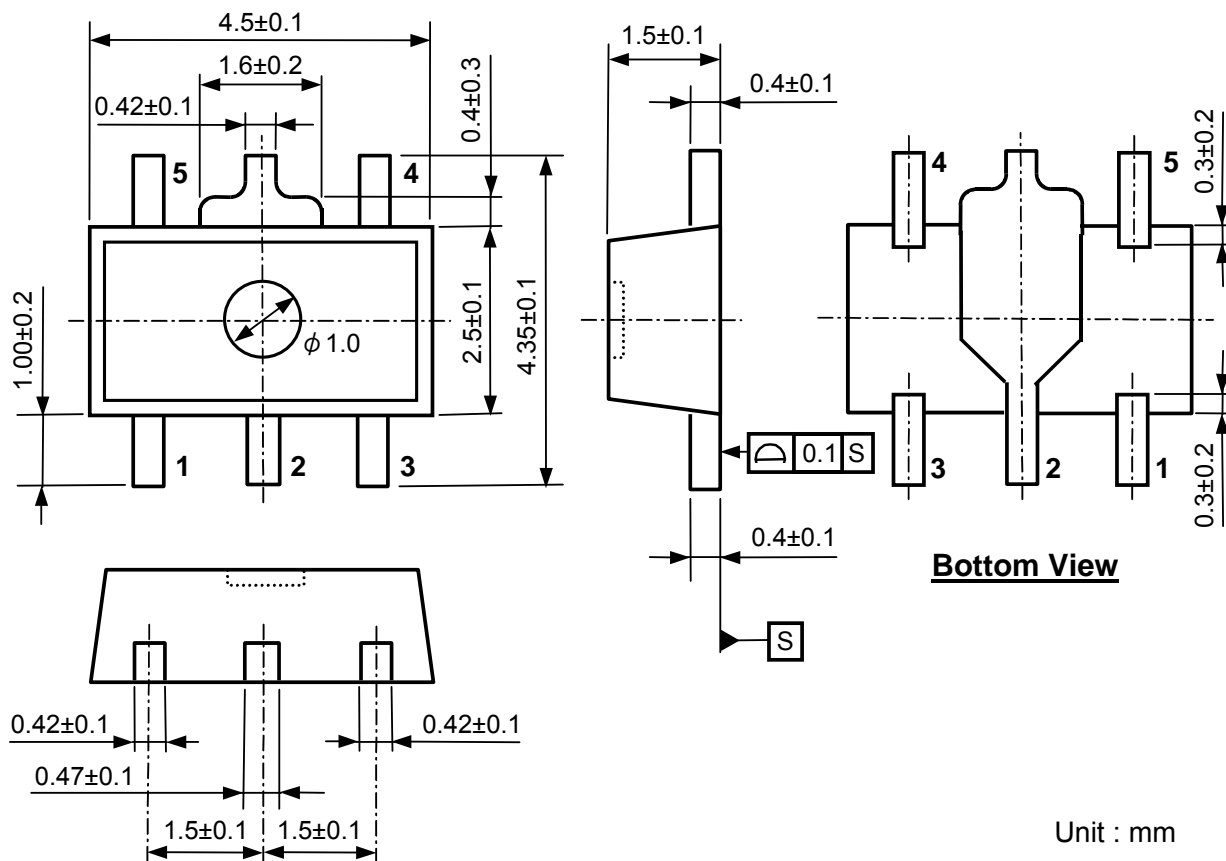
Measurement Board Pattern

 IC Mount Area (Unit : mm)

Note: The above graph shows the Power Dissipation of the package based on $T_{j\text{max}}=125^\circ\text{C}$ and $T_{j\text{max}}=150^\circ\text{C}$. Operating the IC in the shaded area in the graph might have an influence on its lifetime. Operating time must be within the time limit described in the table below, in case of operating in the shaded area.

Operating Time	Estimated Years (Operating four hours/ day)
13,000 hours	9 years

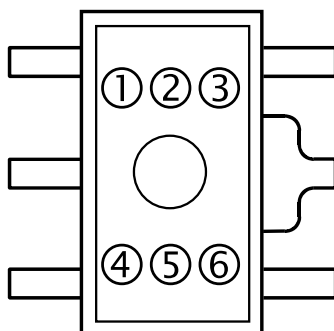
Package Dimensions (SOT-89-5)



Mark Specifications (SOT-89-5)

①②③④: Product Code ... Refer to RP132H Series Mark Specification Table.

⑤⑥: Lot Number ... Alphanumeric Serial Number



RP132H Series Mark Specification Table

PKG: SOT-89-5

● RP132Hxx1B

製品名	①②③④	設定電圧
RP132H081B	C 0 8 B	0.8V
RP132H091B	C 0 9 B	0.9V
RP132H101B	C 1 0 B	1.0V
RP132H111B	C 1 1 B	1.1V
RP132H121B	C 1 2 B	1.2V
RP132H131B	C 1 3 B	1.3V
RP132H141B	C 1 4 B	1.4V
RP132H151B	C 1 5 B	1.5V
RP132H161B	C 1 6 B	1.6V
RP132H171B	C 1 7 B	1.7V
RP132H181B	C 1 8 B	1.8V
RP132H191B	C 1 9 B	1.9V
RP132H201B	C 2 0 B	2.0V
RP132H211B	C 2 1 B	2.1V
RP132H221B	C 2 2 B	2.2V
RP132H231B	C 2 3 B	2.3V
RP132H241B	C 2 4 B	2.4V
RP132H251B	C 2 5 B	2.5V
RP132H261B	C 2 6 B	2.6V
RP132H271B	C 2 7 B	2.7V
RP132H281B	C 2 8 B	2.8V
RP132H291B	C 2 9 B	2.9V
RP132H301B	C 3 0 B	3.0V
RP132H311B	C 3 1 B	3.1V
RP132H321B	C 3 2 B	3.2V
RP132H331B	C 3 3 B	3.3V
RP132H341B	C 3 4 B	3.4V
RP132H351B	C 3 5 B	3.5V
RP132H361B	C 3 6 B	3.6V
RP132H371B	C 3 7 B	3.7V
RP132H381B	C 3 8 B	3.8V
RP132H391B	C 3 9 B	3.9V
RP132H401B	C 4 0 B	4.0V
RP132H411B	C 4 1 B	4.1V
RP132H421B	C 4 2 B	4.2V
RP132H431B	C 4 3 B	4.3V
RP132H441B	C 4 4 B	4.4V
RP132H451B	C 4 5 B	4.5V
RP132H461B	C 4 6 B	4.6V
RP132H471B	C 4 7 B	4.7V
RP132H481B	C 4 8 B	4.8V
RP132H491B	C 4 9 B	4.9V
RP132H501B	C 5 0 B	5.0V
RP132H511B	C 5 1 B	5.1V
RP132H521B	C 5 2 B	5.2V
RP132H531B	C 5 3 B	5.3V
RP132H541B	C 5 4 B	5.4V
RP132H551B	C 5 5 B	5.5V
RP132H121B5	C 0 1 B	1.25V
RP132H181B5	C 0 2 B	1.85V
RP132H281B5	C 0 3 B	2.85V
RP132H001B	C 0 0 B	-

● RP132Hxx1D

製品名	①②③④	設定電圧
RP132H081D	C 0 8 D	0.8V
RP132H091D	C 0 9 D	0.9V
RP132H101D	C 1 0 D	1.0V
RP132H111D	C 1 1 D	1.1V
RP132H121D	C 1 2 D	1.2V
RP132H131D	C 1 3 D	1.3V
RP132H141D	C 1 4 D	1.4V
RP132H151D	C 1 5 D	1.5V
RP132H161D	C 1 6 D	1.6V
RP132H171D	C 1 7 D	1.7V
RP132H181D	C 1 8 D	1.8V
RP132H191D	C 1 9 D	1.9V
RP132H201D	C 2 0 D	2.0V
RP132H211D	C 2 1 D	2.1V
RP132H221D	C 2 2 D	2.2V
RP132H231D	C 2 3 D	2.3V
RP132H241D	C 2 4 D	2.4V
RP132H251D	C 2 5 D	2.5V
RP132H261D	C 2 6 D	2.6V
RP132H271D	C 2 7 D	2.7V
RP132H281D	C 2 8 D	2.8V
RP132H291D	C 2 9 D	2.9V
RP132H301D	C 3 0 D	3.0V
RP132H311D	C 3 1 D	3.1V
RP132H321D	C 3 2 D	3.2V
RP132H331D	C 3 3 D	3.3V
RP132H341D	C 3 4 D	3.4V
RP132H351D	C 3 5 D	3.5V
RP132H361D	C 3 6 D	3.6V
RP132H371D	C 3 7 D	3.7V
RP132H381D	C 3 8 D	3.8V
RP132H391D	C 3 9 D	3.9V
RP132H401D	C 4 0 D	4.0V
RP132H411D	C 4 1 D	4.1V
RP132H421D	C 4 2 D	4.2V
RP132H431D	C 4 3 D	4.3V
RP132H441D	C 4 4 D	4.4V
RP132H451D	C 4 5 D	4.5V
RP132H461D	C 4 6 D	4.6V
RP132H471D	C 4 7 D	4.7V
RP132H481D	C 4 8 D	4.8V
RP132H491D	C 4 9 D	4.9V
RP132H501D	C 5 0 D	5.0V
RP132H511D	C 5 1 D	5.1V
RP132H521D	C 5 2 D	5.2V
RP132H531D	C 5 3 D	5.3V
RP132H541D	C 5 4 D	5.4V
RP132H551D	C 5 5 D	5.5V
RP132H121D5	C 0 1 D	1.25V
RP132H181D5	C 0 2 D	1.85V
RP132H281D5	C 0 3 D	2.85V
RP132H001D	C 0 0 D	-

Power Dissipation (HSOP-6J)

Power Dissipation (P_D) depends on conditions of mounting on board. This specification is based on the Measurement Conditions below.

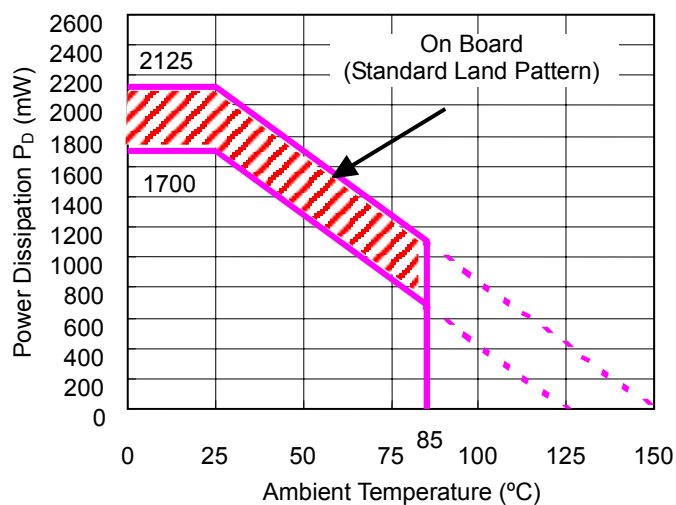
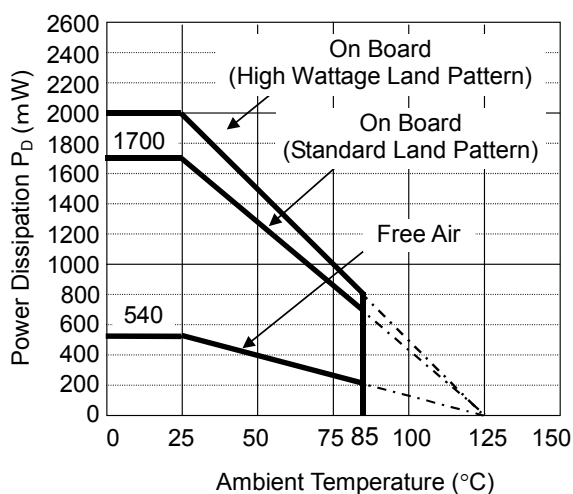
Measurement Conditions

	High Wattage Land Pattern	Standard Land Pattern
Environment	Mounting on Board (Wind Velocity=0m/s)	Mounting on Board (Wind Velocity=0m/s)
Board Material	Glass Cloth Epoxy Plastic (Double-sided)	Glass Cloth Epoxy Plastic (Double-sided)
Board Dimensions	50mm x 50mm x 1.6mm	50mm x 50mm x 1.6mm
Copper Ratio	90%	50%
Through-hole	ϕ 0.5mm x 24pcs	ϕ 0.5mm x 24pcs

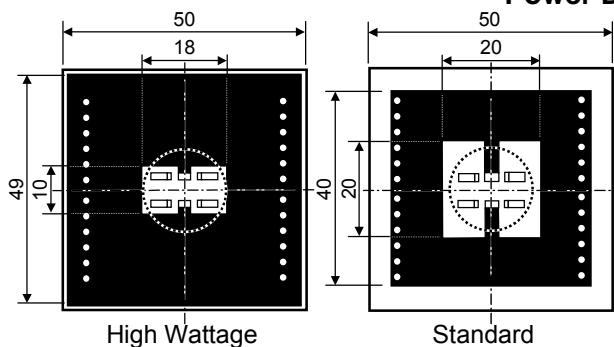
Measurement Result

($T_a=25^\circ\text{C}$)

	High Wattage Land Pattern	Standard Land Pattern	Free Air
Power Dissipation	2000mW	1700mW ($T_{jmax}=125^\circ\text{C}$) 2125mW ($T_{jmax}=150^\circ\text{C}$)	540mW
Thermal Resistance	50°C/W	59°C/W	185°C/W



Power Dissipation



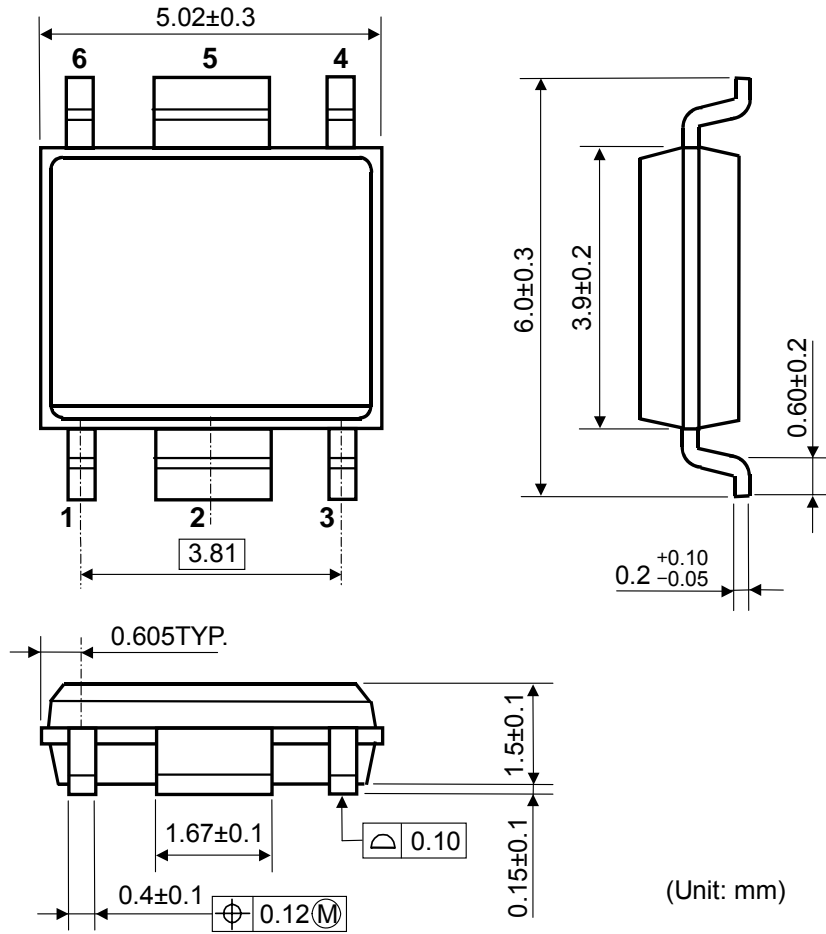
Measurement Board Pattern

IC Mount Area (Unit: mm)

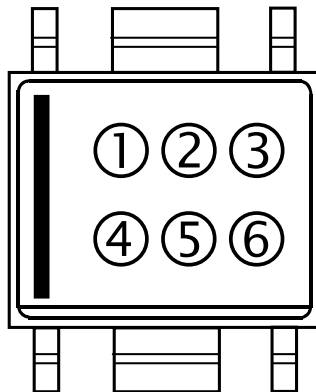
Note: The above graph shows the Power Dissipation of the package based on $T_{jmax}=125^\circ\text{C}$ and $T_{jmax}=150^\circ\text{C}$. Operating the IC in the shaded area in the graph might have an influence on its lifetime. Operating time must be within the time limit described in the table below, in case of operating in the shaded area.

Operating Time	Estimated Years (Operating four hours/ day)
13,000 hours	9 years

RP132xNO.EA-265-160426

Package Dimensions (HSOP-6J)**Mark Specifications (HSOP-6J)**①②③④: Product Code ... Refer to RP132S Series Mark Specification Table.

⑤⑥: Lot Number ... Alphanumeric Serial Number



RP132S Series Mark Specification Table

PKG: HSOP-6J

● RP132Sxx1B

製品名	①②③④
RP132S081B	Q 08 B
RP132S091B	Q 09 B
RP132S101B	Q 10 B
RP132S111B	Q 11 B
RP132S121B	Q 12 B
RP132S131B	Q 13 B
RP132S141B	Q 14 B
RP132S151B	Q 15 B
RP132S161B	Q 16 B
RP132S171B	Q 17 B
RP132S181B	Q 18 B
RP132S191B	Q 19 B
RP132S201B	Q 20 B
RP132S211B	Q 21 B
RP132S221B	Q 22 B
RP132S231B	Q 23 B
RP132S241B	Q 24 B
RP132S251B	Q 25 B
RP132S261B	Q 26 B
RP132S271B	Q 27 B
RP132S281B	Q 28 B
RP132S291B	Q 29 B
RP132S301B	Q 30 B
RP132S311B	Q 31 B
RP132S321B	Q 32 B
RP132S331B	Q 33 B
RP132S341B	Q 34 B
RP132S351B	Q 35 B
RP132S361B	Q 36 B
RP132S371B	Q 37 B
RP132S381B	Q 38 B
RP132S391B	Q 39 B
RP132S401B	Q 40 B
RP132S411B	Q 41 B
RP132S421B	Q 42 B
RP132S431B	Q 43 B
RP132S441B	Q 44 B
RP132S451B	Q 45 B
RP132S461B	Q 46 B
RP132S471B	Q 47 B
RP132S481B	Q 48 B
RP132S491B	Q 49 B
RP132S501B	Q 50 B
RP132S511B	Q 51 B
RP132S521B	Q 52 B
RP132S531B	Q 53 B
RP132S541B	Q 54 B
RP132S551B	Q 55 B
RP132S121B5	Q 01 B
RP132S181B5	Q 02 B
RP132S281B5	Q 03 B
RP132S001B	Q 00 B

● RP132Sxx1D

製品名	①②③④
RP132S081D	Q 08 D
RP132S091D	Q 09 D
RP132S101D	Q 10 D
RP132S111D	Q 11 D
RP132S121D	Q 12 D
RP132S131D	Q 13 D
RP132S141D	Q 14 D
RP132S151D	Q 15 D
RP132S161D	Q 16 D
RP132S171D	Q 17 D
RP132S181D	Q 18 D
RP132S191D	Q 19 D
RP132S201D	Q 20 D
RP132S211D	Q 21 D
RP132S221D	Q 22 D
RP132S231D	Q 23 D
RP132S241D	Q 24 D
RP132S251D	Q 25 D
RP132S261D	Q 26 D
RP132S271D	Q 27 D
RP132S281D	Q 28 D
RP132S291D	Q 29 D
RP132S301D	Q 30 D
RP132S311D	Q 31 D
RP132S321D	Q 32 D
RP132S331D	Q 33 D
RP132S341D	Q 34 D
RP132S351D	Q 35 D
RP132S361D	Q 36 D
RP132S371D	Q 37 D
RP132S381D	Q 38 D
RP132S391D	Q 39 D
RP132S401D	Q 40 D
RP132S411D	Q 41 D
RP132S421D	Q 42 D
RP132S431D	Q 43 D
RP132S441D	Q 44 D
RP132S451D	Q 45 D
RP132S461D	Q 46 D
RP132S471D	Q 47 D
RP132S481D	Q 48 D
RP132S491D	Q 49 D
RP132S501D	Q 50 D
RP132S511D	Q 51 D
RP132S521D	Q 52 D
RP132S531D	Q 53 D
RP132S541D	Q 54 D
RP132S551D	Q 55 D
RP132S121D5	Q 01 D
RP132S181D5	Q 02 D
RP132S281D5	Q 03 D
RP132S001D	Q 00 D

● RP132Sxx1E

製品名	①②③④
RP132S081E	Q 08 E
RP132S091E	Q 09 E
RP132S101E	Q 10 E
RP132S111E	Q 11 E
RP132S121E	Q 12 E
RP132S131E	Q 13 E
RP132S141E	Q 14 E
RP132S151E	Q 15 E
RP132S161E	Q 16 E
RP132S171E	Q 17 E
RP132S181E	Q 18 E
RP132S191E	Q 19 E
RP132S201E	Q 20 E
RP132S211E	Q 21 E
RP132S221E	Q 22 E
RP132S231E	Q 23 E
RP132S241E	Q 24 E
RP132S251E	Q 25 E
RP132S261E	Q 26 E
RP132S271E	Q 27 E
RP132S281E	Q 28 E
RP132S291E	Q 29 E
RP132S301E	Q 30 E
RP132S311E	Q 31 E
RP132S321E	Q 32 E
RP132S331E	Q 33 E
RP132S341E	Q 34 E
RP132S351E	Q 35 E
RP132S361E	Q 36 E
RP132S371E	Q 37 E
RP132S381E	Q 38 E
RP132S391E	Q 39 E
RP132S401E	Q 40 E
RP132S411E	Q 41 E
RP132S421E	Q 42 E
RP132S431E	Q 43 E
RP132S441E	Q 44 E
RP132S451E	Q 45 E
RP132S461E	Q 46 E
RP132S471E	Q 47 E
RP132S481E	Q 48 E
RP132S491E	Q 49 E
RP132S501E	Q 50 E
RP132S511E	Q 51 E
RP132S521E	Q 52 E
RP132S531E	Q 53 E
RP132S541E	Q 54 E
RP132S551E	Q 55 E
RP132S121E5	Q 01 E
RP132S181E5	Q 02 E
RP132S281E5	Q 03 E
-	-

● RP132Sxx1F

製品名	①②③④
RP132S081F	Q 08 F
RP132S091F	Q 09 F
RP132S101F	Q 10 F
RP132S111F	Q 11 F
RP132S121F	Q 12 F
RP132S131F	Q 13 F
RP132S141F	Q 14 F
RP132S151F	Q 15 F
RP132S161F	Q 16 F
RP132S171F	Q 17 F
RP132S181F	Q 18 F
RP132S191F	Q 19 F
RP132S201F	Q 20 F
RP132S211F	Q 21 F
RP132S221F	Q 22 F
RP132S231F	Q 23 F
RP132S241F	Q 24 F
RP132S251F	Q 25 F
RP132S261F	Q 26 F
RP132S271F	Q 27 F
RP132S281F	Q 28 F
RP132S291F	Q 29 F
RP132S301F	Q 30 F
RP132S311F	Q 31 F
RP132S321F	Q 32 F
RP132S331F	Q 33 F
RP132S341F	Q 34 F
RP132S351F	Q 35 F
RP132S361F	Q 36 F
RP132S371F	Q 37 F
RP132S381F	Q 38 F
RP132S391F	Q 39 F
RP132S401F	Q 40 F
RP132S411F	Q 41 F
RP132S421F	Q 42 F
RP132S431F	Q 43 F
RP132S441F	Q 44 F
RP132S451F	Q 45 F
RP132S461F	Q 46 F
RP132S471F	Q 47 F
RP132S481F	Q 48 F
RP132S491F	Q 49 F
RP132S501F	Q 50 F
RP132S511F	Q 51 F
RP132S521F	Q 52 F
RP132S531F	Q 53 F
RP132S541F	Q 54 F
RP132S551F	Q 55 F
RP132S121F5	Q 01 F
RP132S181F5	Q 02 F
RP132S281F5	Q 03 F
-	-

設定電圧
0.8V
0.9V
1.0V
1.1V
1.2V
1.3V
1.4V
1.5V
1.6V
1.7V
1.8V
1.9V
2.0V
2.1V
2.2V
2.3V
2.4V
2.5V
2.6V
2.7V
2.8V
2.9V
3.0V
3.1V
3.2V
3.3V
3.4V
3.5V
3.6V
3.7V
3.8V
3.9V
4.0V
4.1V
4.2V
4.3V
4.4V
4.5V
4.6V
4.7V
4.8V
4.9V
5.0V
5.1V
5.2V
5.3V
5.4V
5.5V
1.25V
1.85V
2.85V
-

RP132x

NO.EA-265-160426

Power Dissipation (TO-252-5-P2)

Power Dissipation (P_D) depends on conditions of mounting on board. This specification is based on the Measurement Conditions below.

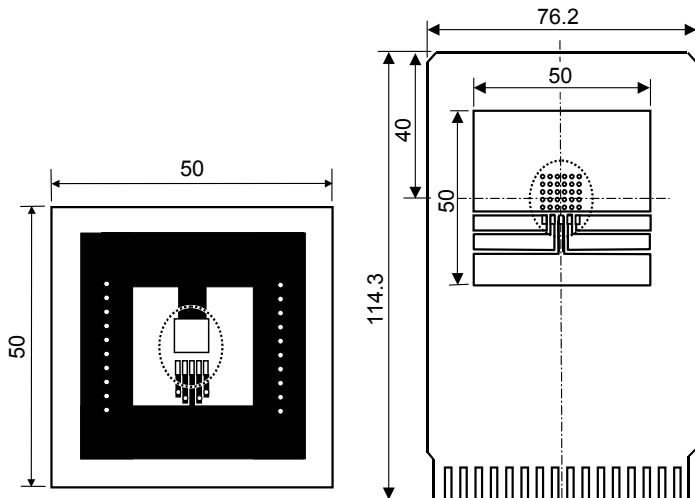
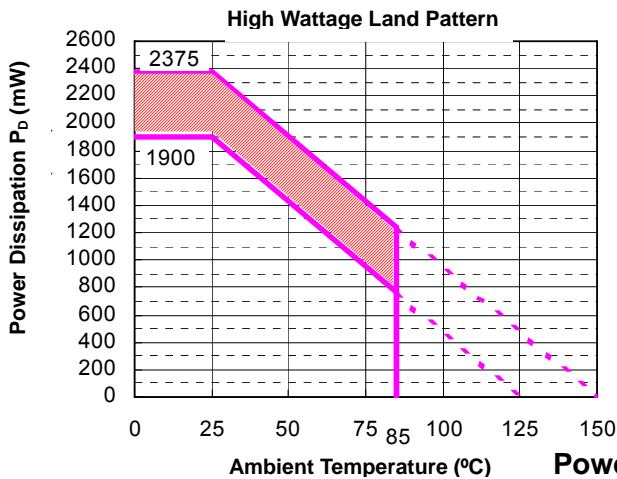
Measurement conditions

	High Wattage Land Pattern	Standard Land Pattern
Environment	Mounting on board (Wind velocity 0m/s)	Mounting on board (Wind velocity 0m/s)
Board Material	Glass cloth epoxy plastic (Double layers)	Glass cloth epoxy plastic (Four-layers)
Board Dimensions	50mm × 50mm × 1.6mm	76.2mm × 114.3mm × 0.8mm
Copper Ratio	Top side: Approx. 50%, Back side: Approx. 50%	Top, Back side: Approx. 96%, 2nd, 3rd: 100%
Through - hole	φ 0.5mm x 24pcs	φ 0.4mm x 30pcs

Measurement Results

($T_a=25^\circ\text{C}$)

	High Wattage Land Pattern	Standard Land Pattern
Power Dissipation	1900mW ($T_{jmax}=125^\circ\text{C}$) 2375mW ($T_{jmax}=150^\circ\text{C}$)	3800mW ($T_{jmax}=125^\circ\text{C}$) 4750mW ($T_{jmax}=150^\circ\text{C}$)
Thermal Resistance	$\theta_{ja} = (125-25^\circ\text{C})/1.9\text{W} = 53^\circ\text{C/W}$ $\theta_{jc} = 17^\circ\text{C/W}$	$\theta_{ja} = (125-25^\circ\text{C})/3.8\text{W} = 26^\circ\text{C/W}$ $\theta_{jc} = 7^\circ\text{C/W}$



High Wattage Land Pattern

Standard Land Pattern

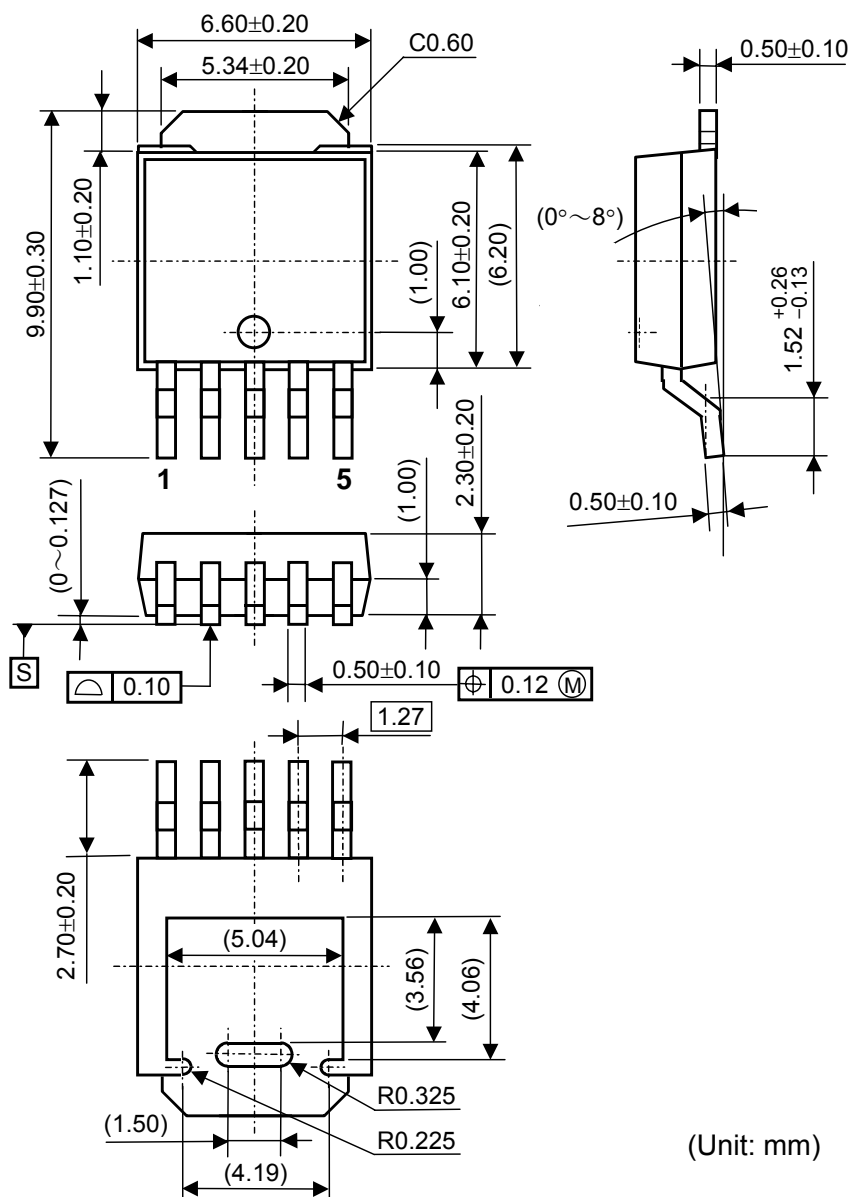
○ IC Mount Area (Unit: mm)

○ IC Mount Area (Unit: mm)

Note: The above graph shows the Power Dissipation of the package based on $T_{jmax}=125^\circ\text{C}$ and $T_{jmax}=150^\circ\text{C}$. Operating the IC in the shaded area in the graph might have an influence on its lifetime. Operating time must be within the time limit described in the table below, in case of operating in the shaded area.

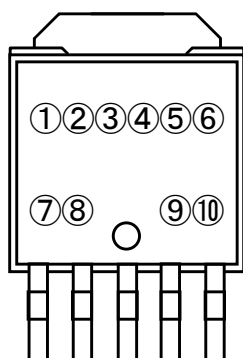
Operating Time	Estimated Years (Operating four hours/ day)
13,000 hours	9 years

Package Dimensions (TO-252-5-P2)



(Unit: mm)

Mark Specifications (TO-252-5-P2)



① ② ③ ④ ⑤ ⑥ ⑦ ⑧: Refer to RP132J Series Mark Specification Table.

⑨ ⑩: Lot Number ... Alphanumeric Serial Number

RP132x

NO.EA-265-160426

RP132J Series Mark Specification Table

PKG: TO-252-5-P2

● **RP132Jxx1B**

製品名	①②③④⑤⑥⑦⑧	設定電圧
RP132J081B	G 1 J 0 8 1 B	0.8V
RP132J091B	G 1 J 0 9 1 B	0.9V
RP132J101B	G 1 J 1 0 1 B	1.0V
RP132J111B	G 1 J 1 1 1 B	1.1V
RP132J121B	G 1 J 1 2 1 B	1.2V
RP132J131B	G 1 J 1 3 1 B	1.3V
RP132J141B	G 1 J 1 4 1 B	1.4V
RP132J151B	G 1 J 1 5 1 B	1.5V
RP132J161B	G 1 J 1 6 1 B	1.6V
RP132J171B	G 1 J 1 7 1 B	1.7V
RP132J181B	G 1 J 1 8 1 B	1.8V
RP132J191B	G 1 J 1 9 1 B	1.9V
RP132J201B	G 1 J 2 0 1 B	2.0V
RP132J211B	G 1 J 2 1 1 B	2.1V
RP132J221B	G 1 J 2 2 1 B	2.2V
RP132J231B	G 1 J 2 3 1 B	2.3V
RP132J241B	G 1 J 2 4 1 B	2.4V
RP132J251B	G 1 J 2 5 1 B	2.5V
RP132J261B	G 1 J 2 6 1 B	2.6V
RP132J271B	G 1 J 2 7 1 B	2.7V
RP132J281B	G 1 J 2 8 1 B	2.8V
RP132J291B	G 1 J 2 9 1 B	2.9V
RP132J301B	G 1 J 3 0 1 B	3.0V
RP132J311B	G 1 J 3 1 1 B	3.1V
RP132J321B	G 1 J 3 2 1 B	3.2V
RP132J331B	G 1 J 3 3 1 B	3.3V
RP132J341B	G 1 J 3 4 1 B	3.4V
RP132J351B	G 1 J 3 5 1 B	3.5V
RP132J361B	G 1 J 3 6 1 B	3.6V
RP132J371B	G 1 J 3 7 1 B	3.7V
RP132J381B	G 1 J 3 8 1 B	3.8V
RP132J391B	G 1 J 3 9 1 B	3.9V
RP132J401B	G 1 J 4 0 1 B	4.0V
RP132J411B	G 1 J 4 1 1 B	4.1V
RP132J421B	G 1 J 4 2 1 B	4.2V
RP132J431B	G 1 J 4 3 1 B	4.3V
RP132J441B	G 1 J 4 4 1 B	4.4V
RP132J451B	G 1 J 4 5 1 B	4.5V
RP132J461B	G 1 J 4 6 1 B	4.6V
RP132J471B	G 1 J 4 7 1 B	4.7V
RP132J481B	G 1 J 4 8 1 B	4.8V
RP132J491B	G 1 J 4 9 1 B	4.9V
RP132J501B	G 1 J 5 0 1 B	5.0V
RP132J511B	G 1 J 5 1 1 B	5.1V
RP132J521B	G 1 J 5 2 1 B	5.2V
RP132J531B	G 1 J 5 3 1 B	5.3V
RP132J541B	G 1 J 5 4 1 B	5.4V
RP132J551B	G 1 J 5 5 1 B	5.5V
RP132J121B5	G 1 J 1 2 1 B 5	1.25V
RP132J181B5	G 1 J 1 8 1 B 5	1.85V
RP132J281B5	G 1 J 2 8 1 B 5	2.85V
RP132J001B	G 1 J 0 0 1 B	-

● **RP132Jxx1D**

製品名	①②③④⑤⑥⑦⑧	設定電圧
RP132J081D	G 1 J 0 8 1 D	0.8V
RP132J091D	G 1 J 0 9 1 D	0.9V
RP132J101D	G 1 J 1 0 1 D	1.0V
RP132J111D	G 1 J 1 1 1 D	1.1V
RP132J121D	G 1 J 1 2 1 D	1.2V
RP132J131D	G 1 J 1 3 1 D	1.3V
RP132J141D	G 1 J 1 4 1 D	1.4V
RP132J151D	G 1 J 1 5 1 D	1.5V
RP132J161D	G 1 J 1 6 1 D	1.6V
RP132J171D	G 1 J 1 7 1 D	1.7V
RP132J181D	G 1 J 1 8 1 D	1.8V
RP132J191D	G 1 J 1 9 1 D	1.9V
RP132J201D	G 1 J 2 0 1 D	2.0V
RP132J211D	G 1 J 2 1 1 D	2.1V
RP132J221D	G 1 J 2 2 1 D	2.2V
RP132J231D	G 1 J 2 3 1 D	2.3V
RP132J241D	G 1 J 2 4 1 D	2.4V
RP132J251D	G 1 J 2 5 1 D	2.5V
RP132J261D	G 1 J 2 6 1 D	2.6V
RP132J271D	G 1 J 2 7 1 D	2.7V
RP132J281D	G 1 J 2 8 1 D	2.8V
RP132J291D	G 1 J 2 9 1 D	2.9V
RP132J301D	G 1 J 3 0 1 D	3.0V
RP132J311D	G 1 J 3 1 1 D	3.1V
RP132J321D	G 1 J 3 2 1 D	3.2V
RP132J331D	G 1 J 3 3 1 D	3.3V
RP132J341D	G 1 J 3 4 1 D	3.4V
RP132J351D	G 1 J 3 5 1 D	3.5V
RP132J361D	G 1 J 3 6 1 D	3.6V
RP132J371D	G 1 J 3 7 1 D	3.7V
RP132J381D	G 1 J 3 8 1 D	3.8V
RP132J391D	G 1 J 3 9 1 D	3.9V
RP132J401D	G 1 J 4 0 1 D	4.0V
RP132J411D	G 1 J 4 1 1 D	4.1V
RP132J421D	G 1 J 4 2 1 D	4.2V
RP132J431D	G 1 J 4 3 1 D	4.3V
RP132J441D	G 1 J 4 4 1 D	4.4V
RP132J451D	G 1 J 4 5 1 D	4.5V
RP132J461D	G 1 J 4 6 1 D	4.6V
RP132J471D	G 1 J 4 7 1 D	4.7V
RP132J481D	G 1 J 4 8 1 D	4.8V
RP132J491D	G 1 J 4 9 1 D	4.9V
RP132J501D	G 1 J 5 0 1 D	5.0V
RP132J511D	G 1 J 5 1 1 D	5.1V
RP132J521D	G 1 J 5 2 1 D	5.2V
RP132J531D	G 1 J 5 3 1 D	5.3V
RP132J541D	G 1 J 5 4 1 D	5.4V
RP132J551D	G 1 J 5 5 1 D	5.5V
RP132J121D5	G 1 J 1 2 1 D 5	1.25V
RP132J181D5	G 1 J 1 8 1 D 5	1.85V
RP132J281D5	G 1 J 2 8 1 D 5	2.85V
RP132J001D	G 1 J 0 0 1 D	-



1. The products and the product specifications described in this document are subject to change or discontinuation of production without notice for reasons such as improvement. Therefore, before deciding to use the products, please refer to Ricoh sales representatives for the latest information thereon.
2. The materials in this document may not be copied or otherwise reproduced in whole or in part without prior written consent of Ricoh.
3. Please be sure to take any necessary formalities under relevant laws or regulations before exporting or otherwise taking out of your country the products or the technical information described herein.
4. The technical information described in this document shows typical characteristics of and example application circuits for the products. The release of such information is not to be construed as a warranty of or a grant of license under Ricoh's or any third party's intellectual property rights or any other rights.
5. The products listed in this document are intended and designed for use as general electronic components in standard applications (office equipment, telecommunication equipment, measuring instruments, consumer electronic products, amusement equipment etc.). Those customers intending to use a product in an application requiring extreme quality and reliability, for example, in a highly specific application where the failure or misoperation of the product could result in human injury or death (aircraft, spacevehicle, nuclear reactor control system, traffic control system, automotive and transportation equipment, combustion equipment, safety devices, life support system etc.) should first contact us.
6. We are making our continuous effort to improve the quality and reliability of our products, but semiconductor products are likely to fail with certain probability. In order to prevent any injury to persons or damages to property resulting from such failure, customers should be careful enough to incorporate safety measures in their design, such as redundancy feature, fire containment feature and fail-safe feature. We do not assume any liability or responsibility for any loss or damage arising from misuse or inappropriate use of the products.
7. Anti-radiation design is not implemented in the products described in this document.
8. Please contact Ricoh sales representatives should you have any questions or comments concerning the products or the technical information.



Ricoh is committed to reducing the environmental loading materials in electrical devices with a view to contributing to the protection of human health and the environment.

Ricoh has been providing RoHS compliant products since April 1, 2006 and Halogen-free products since April 1, 2012.

RICOH RICOH ELECTRONIC DEVICES CO., LTD.

<http://www.e-devices.ricoh.co.jp/en/>

Sales & Support Offices

RICOH ELECTRONIC DEVICES CO., LTD.

Higashi-Shinagawa Office (International Sales)
3-32-3, Higashi-Shinagawa, Shinagawa-ku, Tokyo 140-8655, Japan
Phone: +81-3-5479-2857 Fax: +81-3-5479-0502

RICOH EUROPE (NETHERLANDS) B.V.

Semiconductor Support Centre
Prof. W.H. Keesomlaan 1, 1183 DJ Amstelveen, The Netherlands
Phone: +31-20-5474-309

RICOH INTERNATIONAL B.V. - German Branch

Semiconductor Sales and Support Centre
Oberrather Strasse 6, 40472 Düsseldorf, Germany
Phone: +49-211-6546-0

RICOH ELECTRONIC DEVICES KOREA CO., LTD.

3F, Haesung Bldg, 504, Teheran-ro, Gangnam-gu, Seoul, 135-725, Korea
Phone: +82-2-2135-5700 Fax: +82-2-2051-5713

RICOH ELECTRONIC DEVICES SHANGHAI CO., LTD.

Room 403, No.2 Building, No.690 Bibo Road, Pu Dong New District, Shanghai 201203, People's Republic of China
Phone: +86-21-5027-3200 Fax: +86-21-5027-3299

RICOH ELECTRONIC DEVICES CO., LTD.

Taipei office
Room 109, 10F-1, No.51, Hengyang Rd., Taipei City, Taiwan (R.O.C.)
Phone: +886-2-2313-1621/1622 Fax: +886-2-2313-1623

Mouser Electronics

Authorized Distributor

Click to View Pricing, Inventory, Delivery & Lifecycle Information:

Ricoh Electronics:

[RP132S241B-E2-FE](#) [RP132K001D-TR-Y](#) [RP132J501B-T1-FE](#) [RP132S321B-E2-FE](#) [RP132S301B-E2-FE](#)
[RP132J341D-T1-FE](#) [RP132J191D-T1-FE](#)



Компания «ЭлектроПласт» предлагает заключение долгосрочных отношений при поставках импортных электронных компонентов на взаимовыгодных условиях!

Наши преимущества:

- Оперативные поставки широкого спектра электронных компонентов отечественного и импортного производства напрямую от производителей и с крупнейших мировых складов;
- Поставка более 17-ти миллионов наименований электронных компонентов;
- Поставка сложных, дефицитных, либо снятых с производства позиций;
- Оперативные сроки поставки под заказ (от 5 рабочих дней);
- Экспресс доставка в любую точку России;
- Техническая поддержка проекта, помощь в подборе аналогов, поставка прототипов;
- Система менеджмента качества сертифицирована по Международному стандарту ISO 9001;
- Лицензия ФСБ на осуществление работ с использованием сведений, составляющих государственную тайну;
- Поставка специализированных компонентов (Xilinx, Altera, Analog Devices, Intersil, Interpoint, Microsemi, Aeroflex, Peregrine, Syfer, Eurofarad, Texas Instrument, Miteq, Cobham, E2V, MA-COM, Hittite, Mini-Circuits, General Dynamics и др.);

Помимо этого, одним из направлений компании «ЭлектроПласт» является направление «Источники питания». Мы предлагаем Вам помощь Конструкторского отдела:

- Подбор оптимального решения, техническое обоснование при выборе компонента;
- Подбор аналогов;
- Консультации по применению компонента;
- Поставка образцов и прототипов;
- Техническая поддержка проекта;
- Защита от снятия компонента с производства.



Как с нами связаться

Телефон: 8 (812) 309 58 32 (многоканальный)

Факс: 8 (812) 320-02-42

Электронная почта: org@eplast1.ru

Адрес: 198099, г. Санкт-Петербург, ул. Калинина, дом 2, корпус 4, литера А.