

1A 3-TERMINAL POSITIVE VOLTAGE REGULATOR**AS78XXA****General Description**

The AS78XXA series are three terminal positive voltage regulators designed for a wide variety of applications including local, on-card regulation.

The AS78XXA are complete with internal current limiting, thermal shutdown protection, and safe-area compensation which make them virtually immune from output overload. If adequate heat sinking are provided, these regulators can deliver output currents up to 1A.

The AS78XXA are available in TO-252-2 (1), TO-252-2 (3), TO-252-2 (4), TO-220-3 and TO-220F-3 packages.

Features

- Output Current up to 1A
- Fixed Output Voltages of 5V, 6V, 8V, 9V, 12V, 15V and 18V
- Output Voltage Accuracy of $\pm 4\%$ over the Full Temperature Range
- Internal Short Circuit Current Limiting
- Internal Thermal Overload Protection
- Output Transistor Safe-area Protection
- Low Load Regulation
- Stable Performance in High Temperature

Applications

- High Efficiency Linear Regulator
- Post Regulation for Switching Supply
- Microprocessor Power Supply
- Mother Board

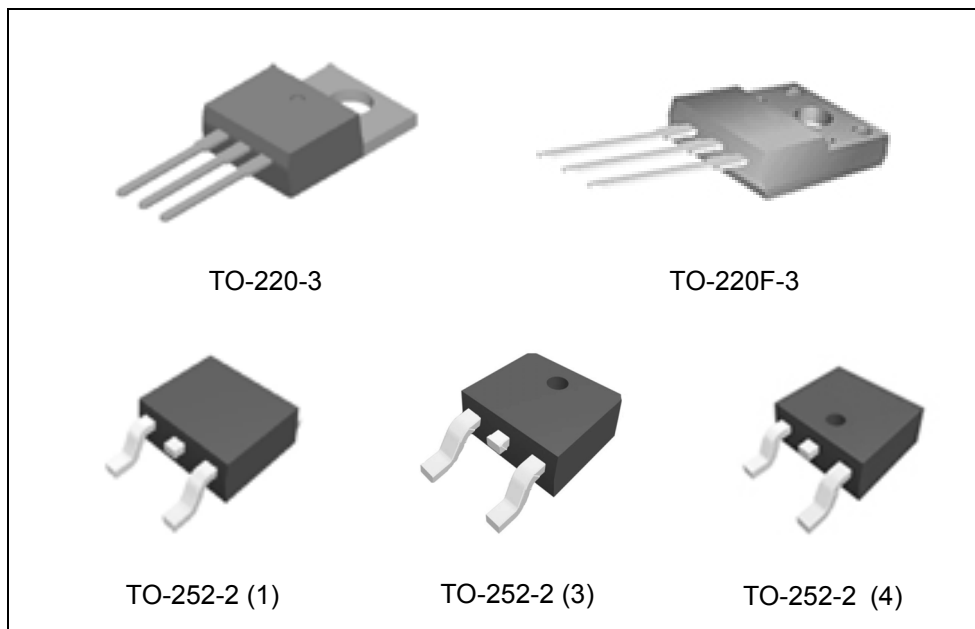


Figure 1. Package Types of AS78XXA

1A 3-TERMINAL POSITIVE VOLTAGE REGULATOR

AS78XXA

Pin Configuration

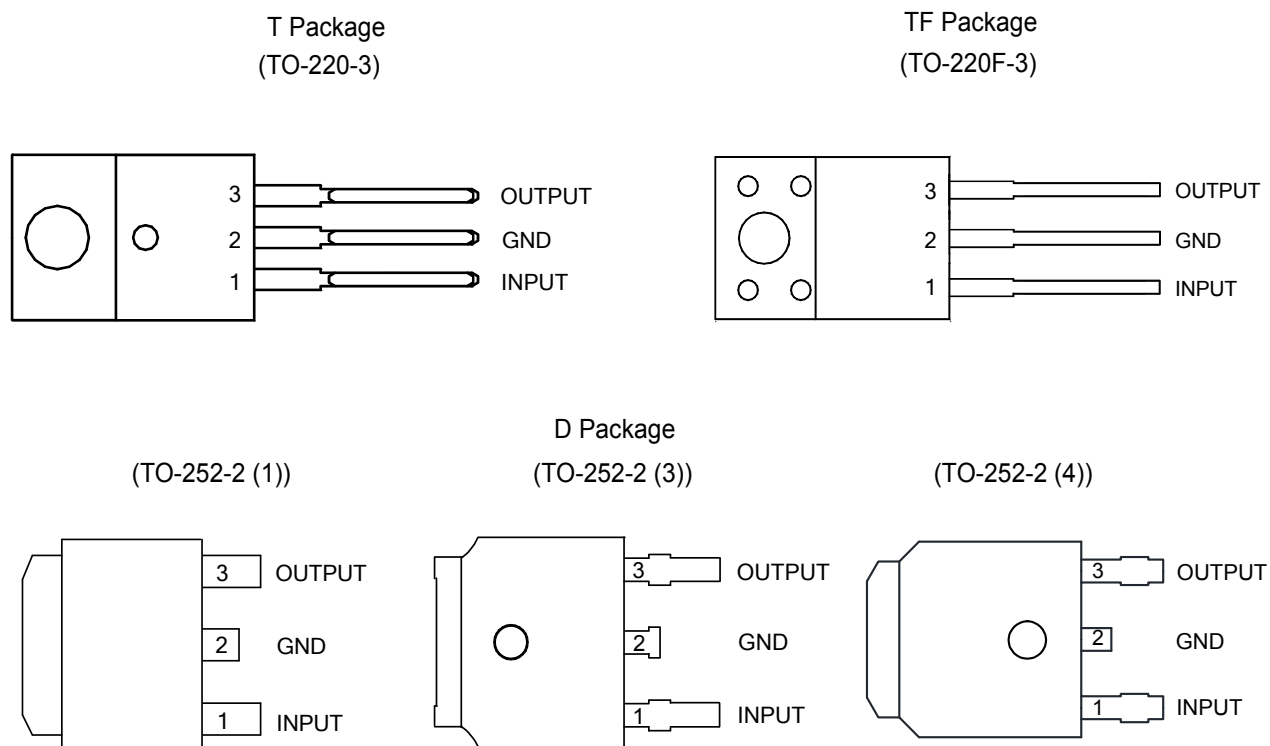


Figure 2. Pin Configuration of AS78XXA (Top View)

Pin Description

Pin Number	Pin Name	Function
1	INPUT	Voltage Input
2	GND	Ground
3	OUTPUT	Voltage Output

1A 3-TERMINAL POSITIVE VOLTAGE REGULATOR

AS78XXA

Functional Block Diagram

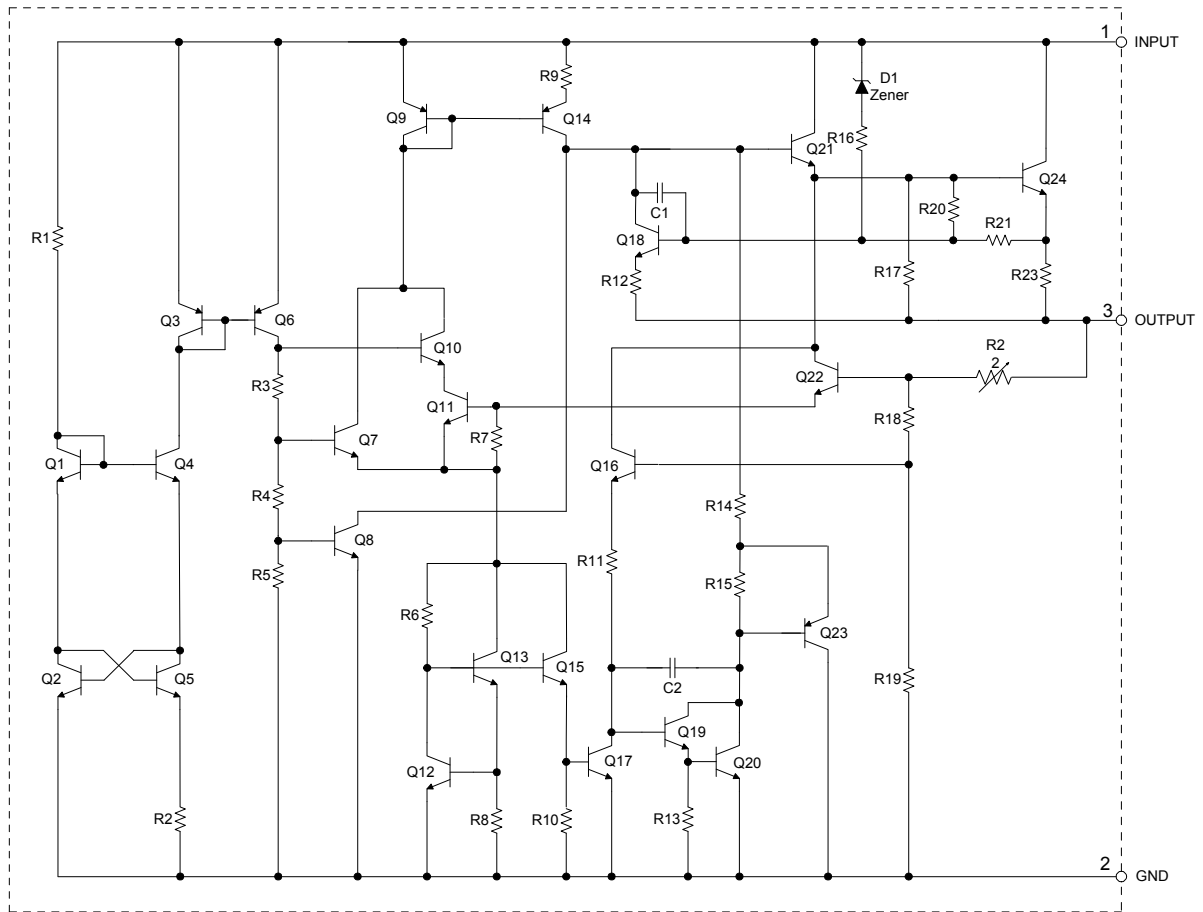


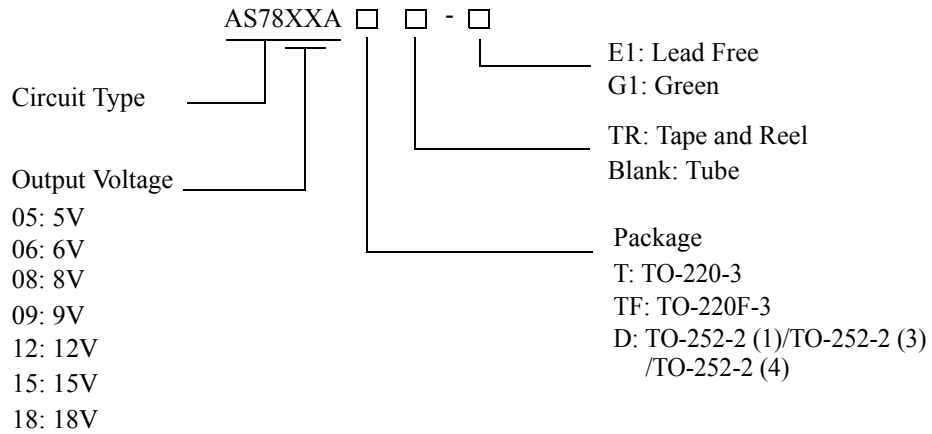
Figure 3. Functional Block Diagram of AS78XXA



1A 3-TERMINAL POSITIVE VOLTAGE REGULATOR

AS78XXA

Ordering Information



Package	Temperature Range	Part Number		Marking ID		Packing Type
		Lead Free	Green	Lead Free	Green	
TO-220-3	-40 to 125°C	AS7805AT-E1	AS7805AT-G1	AS7805AT-E1	AS7805AT-G1	Tube
		AS7806AT-E1	AS7806AT-G1	AS7806AT-E1	AS7806AT-G1	Tube
		AS7808AT-E1	AS7808AT-G1	AS7808AT-E1	AS7808AT-G1	Tube
		AS7809AT-E1	AS7809AT-G1	AS7809AT-E1	AS7809AT-G1	Tube
		AS7812AT-E1	AS7812AT-G1	AS7812AT-E1	AS7812AT-G1	Tube
		AS7815AT-E1	AS7815AT-G1	AS7815AT-E1	AS7815AT-G1	Tube
		AS7818AT-E1	AS7818AT-G1	AS7818AT-E1	AS7818AT-G1	Tube
TO-220F-3	-40 to 125°C	AS7805ATF-E1	AS7805ATF-G1	AS7805ATF-E1	AS7805ATF-G1	Tube
		AS7806ATF-E1	AS7806ATF-G1	AS7806ATF-E1	AS7806ATF-G1	Tube
		AS7808ATF-E1	AS7808ATF-G1	AS7808ATF-E1	AS7808ATF-G1	Tube
		AS7809ATF-E1	AS7809ATF-G1	AS7809ATF-E1	AS7809ATF-G1	Tube
		AS7812ATF-E1	AS7812ATF-G1	AS7812ATF-E1	AS7812ATF-G1	Tube
		AS7815ATF-E1	AS7815ATF-G1	AS7815ATF-E1	AS7815ATF-G1	Tube
		AS7818ATF-E1	AS7818ATF-G1	AS7818ATF-E1	AS7818ATF-G1	Tube

**1A 3-TERMINAL POSITIVE VOLTAGE REGULATOR****AS78XXA****Ordering Information (Continued)**

Package	Temperature Range	Part Number		Marking ID		Packing Type
		Lead Free	Green	Lead Free	Green	
TO-252-2 (1)/ TO-252-2 (3)/ TO-252-2 (4)	-40 to 125°C	AS7805AD-E1	AS7805AD-G1	AS7805AD-E1	AS7805AD-G1	Tube
		AS7805ADTR-E1	AS7805ADTR-G1	AS7805AD-E1	AS7805AD-G1	Tape & Reel
		AS7806AD-E1	AS7806AD-G1	AS7806AD-E1	AS7806AD-G1	Tube
		AS7806ADTR-E1	AS7806ADTR-G1	AS7806AD-E1	AS7806AD-G1	Tape & Reel
		AS7808AD-E1	AS7808AD-G1	AS7808AD-E1	AS7808AD-G1	Tube
		AS7808ADTR-E1	AS7808ADTR-G1	AS7808AD-E1	AS7808AD-G1	Tape & Reel
		AS7809AD-E1	AS7809AD-G1	AS7809AD-E1	AS7809AD-G1	Tube
		AS7809ADTR-E1	AS7809ADTR-G1	AS7809AD-E1	AS7809AD-G1	Tape & Reel
		AS7812AD-E1	AS7812AD-G1	AS7812AD-E1	AS7812AD-G1	Tube
		AS7812ADTR-E1	AS7812ADTR-G1	AS7812AD-E1	AS7812AD-G1	Tape & Reel
		AS7815AD-E1	AS7815AD-G1	AS7815AD-E1	AS7815AD-G1	Tube
		AS7815ADTR-E1	AS7815ADTR-G1	AS7815AD-E1	AS7815AD-G1	Tape & Reel
		AS7818AD-E1	AS7818AD-G1	AS7818AD-E1	AS7818AD-G1	Tube
		AS7818ADTR-E1	AS7818ADTR-G1	AS7818AD-E1	AS7818AD-G1	Tape & Reel

BCD Semiconductor's Pb-free products, as designated with "E1" suffix in the part number, are RoHS compliant. Products with "G1" suffix are available in green packages.

**1A 3-TERMINAL POSITIVE VOLTAGE REGULATOR****AS78XXA****Absolute Maximum Ratings (Note 1)**

Parameter	Symbol	Value		Unit
Input Voltage	V_{IN}	36		V
Lead Temperature (Soldering, 10sec)	T_{LEAD}	260		°C
Power Dissipation	P_D	Internally Limited		W
Operating Junction Temperature	T_J	150		°C
Storage Temperature Range	T_{STG}	-65 to 150		°C
Thermal Resistance	θ_{JA}	TO-220-3	60	°C/W
		TO-252-2 (1)/TO-252-2 (3)/TO-252-2 (4)	100	
		TO-220F-3	60	
ESD (Human Body Model)	ESD	6000		V
ESD (Machine Model)	ESD	500		V

Note 1: Stresses greater than those listed under "Absolute Maximum Ratings" may cause permanent damage to the device. These are stress ratings only, and functional operation of the device at these or any other conditions beyond those indicated under "Recommended Operating Conditions" is not implied. Exposure to "Absolute Maximum Ratings" for extended periods may affect device reliability.

Recommended Operating Conditions

Parameter		Symbol	Min	Max	Unit
Input Voltage	AS7805A	V_{IN}		25	V
	AS7806A			26	
	AS7808A			28	
	AS7809A			29	
	AS7812A			32	
	AS7815A			32	
	AS7818A			32	
Operating Junction Temperature Range		T_J	-40	125	°C



1A 3-TERMINAL POSITIVE VOLTAGE REGULATOR **AS78XXA**

Electrical Characteristics

AS7805A ($V_{IN}=10V$, $I_{OUT}=1A$, $T_J=-40$ to $125^{\circ}C$, unless otherwise specified.)

Parameter	Symbol	Conditions	Min	Typ	Max	Unit
Output Voltage	V_{OUT}	$T_J=25^{\circ}C$	4.9	5	5.1	V
		$I_{OUT}=5mA$ to $1A$, $V_{IN}=7.5V$ to $20V$, $P_D \leq 15W$	4.8		5.2	
Line Regulation	V_{RLINE}	$V_{IN}=7.5V$ to $20V$, $I_{OUT}=500mA$, $T_J=25^{\circ}C$		25	50	mV
Load Regulation	V_{RLOAD}	$V_{IN}=10V$, $I_{OUT}=5mA$ to $1A$, $T_J=25^{\circ}C$		20	50	mV
Quiescent Current	I_Q	$V_{IN}=10V$, $I_{OUT}=0$		3.2	6	mA
Quiescent Current Change	ΔI_Q	$V_{IN}=8V$ to $25V$, $I_{OUT}=500mA$, $T_J=25^{\circ}C$		0.3	0.8	mA
		$I_{OUT}=5mA$ to $1A$, $T_J=25^{\circ}C$		0.08	0.5	
Ripple Rejection	PSRR	$V_{IN}=8V$ to $18V$, $f=120Hz$, $I_{OUT}=500mA$		70		dB
Dropout Voltage	V_{DROP}	$\Delta V_{OUT}=1\%$, $I_{OUT}=1A$, $T_J=25^{\circ}C$		2		V
Output Noise Voltage	N_O	$f=10Hz$ to $100kHz$, $T_A=25^{\circ}C$		10		$\mu V/V_O$
Output Resistance	R_O	$f=1kHz$		10		$m\Omega$
Short Circuit Current	I_{SC}	$V_{IN}=35V$, $T_A=25^{\circ}C$		0.05		A
Peak Output Current	I_{PK}	$V_{IN}=10V$, $T_J=25^{\circ}C$		2.2		A
Output Voltage Temperature Coefficient	$\Delta V_{OUT}/\Delta T$			0.4		$mV/^{\circ}C$
	$(\Delta V_{OUT}/V_{OUT})/\Delta T$			80		ppm/ $^{\circ}C$
Thermal Resistance	θ_{JC}	TO-220-3		9		$^{\circ}C/W$
		TO-252-2 (1)/TO-252-2 (3)/TO-252-2 (4)		16		
		TO-220F-3		9		



1A 3-TERMINAL POSITIVE VOLTAGE REGULATOR

AS78XXA

Electrical Characteristics (Continued)

AS7806A ($V_{IN}=11V$, $I_{OUT}=1A$, $T_J=-40$ to $125^{\circ}C$, unless otherwise specified.)

Parameter	Symbol	Conditions	Min	Typ	Max	Unit
Output Voltage	V_{OUT}	$T_J=25^{\circ}C$	5.88	6	6.12	V
		$I_{OUT}=5mA$ to $1A$, $V_{IN}=8.6V$ to $21V$, $P_D \leq 15W$	5.76		6.24	
Line Regulation	V_{RLINE}	$V_{IN}=8.6V$ to $21V$, $I_{OUT}=500mA$, $T_J=25^{\circ}C$		25	60	mV
Load Regulation	V_{RLOAD}	$V_{IN}=11V$, $I_{OUT}=5mA$ to $1A$, $T_J=25^{\circ}C$		20	60	mV
Quiescent Current	I_Q	$V_{IN}=11V$, $I_{OUT}=0$		3.2	6	mA
Quiescent Current Change	ΔI_Q	$V_{IN}=8.6V$ to $21V$, $I_{OUT}=500mA$, $T_J=25^{\circ}C$		0.3	0.8	mA
		$I_{OUT}=5mA$ to $1A$, $T_J=25^{\circ}C$		0.08	0.5	
Ripple Rejection	PSRR	$V_{IN}=9.5V$ to $19.5V$, $f=120Hz$, $I_{OUT}=500mA$		65		dB
Dropout Voltage	V_{DROP}	$\Delta V_{OUT}=1\%$, $I_{OUT}=1A$, $T_J=25^{\circ}C$		2		V
Output Noise Voltage	N_O	$f=10Hz$ to $100kHz$, $T_A=25^{\circ}C$		10		$\mu V/V_O$
Output Resistance	R_O	$f=1kHz$		10		$m\Omega$
Short Circuit Current	I_{SC}	$V_{IN}=35V$, $T_A=25^{\circ}C$		0.2		A
Peak Output Current	I_{PK}	$V_{IN}=11V$, $T_J=25^{\circ}C$		2.2		A
Output Voltage Temperature Coefficient	$\Delta V_{OUT}/\Delta T$			0.5		$mV/^{\circ}C$
	$(\Delta V_{OUT}/V_{OUT})/\Delta T$			80		ppm/ $^{\circ}C$
Thermal Resistance	θ_{JC}	TO-220-3		9		$^{\circ}C/W$
		TO-252-2 (1)/TO-252-2 (3)/TO-252-2 (4)		16		
		TO-220F-3		9		



1A 3-TERMINAL POSITIVE VOLTAGE REGULATOR

AS78XXA

Electrical Characteristics (Continued)

AS7808A ($V_{IN}=14V$, $I_{OUT}=1A$, $T_J=-40$ to $125^{\circ}C$, unless otherwise specified.)

Parameter	Symbol	Conditions	Min	Typ	Max	Unit
Output Voltage	V_{OUT}	$T_J=25^{\circ}C$	7.84	8	8.16	V
		$I_{OUT}=5mA$ to $1A$, $V_{IN}=10.6V$ to $23V$, $P_D \leq 15W$	7.7		8.3	
Line Regulation	V_{RLINE}	$V_{IN}=10.6V$ to $23V$, $I_{OUT}=500mA$, $T_J=25^{\circ}C$		25	75	mV
Load Regulation	V_{RLOAD}	$V_{IN}=14V$, $I_{OUT}=5mA$ to $1A$, $T_J=25^{\circ}C$		25	75	mV
Quiescent Current	I_Q	$V_{IN}=14V$, $I_{OUT}=0$		3.2	6	mA
Quiescent Current Change	ΔI_Q	$V_{IN}=10.6V$ to $23V$, $I_{OUT}=500mA$, $T_J=25^{\circ}C$		0.3	0.8	mA
		$I_{OUT}=5mA$ to $1A$, $T_J=25^{\circ}C$		0.08	0.5	
Ripple Rejection	PSRR	$V_{IN}=11.5V$ to $21.5V$, $f=120Hz$, $I_{OUT}=500mA$		62		dB
Dropout Voltage	V_{DROP}	$\Delta V_{OUT}=1\%$, $I_{OUT}=1A$, $T_J=25^{\circ}C$		2		V
Output Noise Voltage	N_O	$f=10Hz$ to $100kHz$, $T_A=25^{\circ}C$		10		$\mu V/V_O$
Output Resistance	R_O	$f=1kHz$		10		$m\Omega$
Short Circuit Current	I_{SC}	$V_{IN}=35V$, $T_A=25^{\circ}C$		0.2		A
Peak Output Current	I_{PK}	$V_{IN}=14V$, $T_J=25^{\circ}C$		2.2		A
Output Voltage Temperature Coefficient	$\Delta V_{OUT}/\Delta T$			0.64		mV/ $^{\circ}C$
	$(\Delta V_{OUT}/V_{OUT})/\Delta T$			80		ppm/ $^{\circ}C$
Thermal Resistance	θ_{JC}	TO-220-3		9		$^{\circ}C/W$
		TO-252-2 (1)/TO-252-2 (3)/TO-252-2 (4)		16		
		TO-220F-3		9		



1A 3-TERMINAL POSITIVE VOLTAGE REGULATOR

AS78XXA

Electrical Characteristics (Continued)

AS7809A ($V_{IN}=15V$, $I_{OUT}=1A$, $T_J=-40$ to $125^{\circ}C$, unless otherwise specified.)

Parameter	Symbol	Conditions	Min	Typ	Max	Unit
Output Voltage	V_{OUT}	$T_J=25^{\circ}C$	8.82	9	9.18	V
		$I_{OUT}=5mA$ to $1A$, $V_{IN}=11.5V$ to $23V$, $P_D \leq 15W$	8.65		9.35	
Line Regulation	V_{RLINE}	$V_{IN}=11.5V$ to $23V$, $I_{OUT}=500mA$, $T_J=25^{\circ}C$		25	90	mV
Load Regulation	V_{RLOAD}	$V_{IN}=14V$, $I_{OUT}=5mA$ to $1A$, $T_J=25^{\circ}C$		25	100	mV
Quiescent Current	I_Q	$V_{IN}=15V$, $I_{OUT}=0$		3.2	6	mA
Quiescent Current Change	ΔI_Q	$V_{IN}=11.5V$ to $23V$, $I_{OUT}=500mA$, $T_J=25^{\circ}C$		0.3	0.8	mA
		$I_{OUT}=5mA$ to $1A$, $T_J=25^{\circ}C$		0.08	0.5	
Ripple Rejection	PSRR	$V_{IN}=11.5V$ to $21.5V$, $f=120Hz$, $I_{OUT}=500mA$		61		dB
Dropout Voltage	V_{DROP}	$\Delta V_{OUT}=1\%$, $I_{OUT}=1A$, $T_J=25^{\circ}C$		2		V
Output Noise Voltage	N_O	$f=10Hz$ to $100kHz$, $T_A=25^{\circ}C$		10		$\mu V/V_O$
Output Resistance	R_O	$f=1kHz$		10		$m\Omega$
Short Circuit Current	I_{SC}	$V_{IN}=35V$, $T_A=25^{\circ}C$		0.2		A
Peak Output Current	I_{PK}	$V_{IN}=15V$, $T_J=25^{\circ}C$		2.2		A
Output Voltage Temperature Coefficient	$\Delta V_{OUT}/\Delta T$			0.72		$mV/^{\circ}C$
	$(\Delta V_{OUT}/V_{OUT})/\Delta T$			80		ppm/ $^{\circ}C$
Thermal Resistance	θ_{JC}	TO-220-3		9		$^{\circ}C/W$
		TO-252-2 (1)/TO-252-2 (3)/TO-252-2 (4)		16		
		TO-220F-3		9		



1A 3-TERMINAL POSITIVE VOLTAGE REGULATOR

AS78XXA

Electrical Characteristics (Continued)

AS7812A ($V_{IN}=19V$, $I_{OUT}=1A$, $T_J=-40$ to $125^{\circ}C$, unless otherwise specified.)

Parameter	Symbol	Conditions	Min	Typ	Max	Unit
Output Voltage	V_{OUT}	$T_J=25^{\circ}C$	11.75	12	12.25	V
		$I_{OUT}=5mA$ to $1A$, $V_{IN}=14.8V$ to $27V$, $P_D \leq 15W$	11.5		12.5	
Line Regulation	V_{RLINE}	$V_{IN}=14.8V$ to $27V$, $I_{OUT}=500mA$, $T_J=25^{\circ}C$		25	120	mV
Load Regulation	V_{RLOAD}	$V_{IN}=19V$, $I_{OUT}=5mA$ to $1A$, $T_J=25^{\circ}C$		40	120	mV
Quiescent Current	I_Q	$V_{IN}=19V$, $I_{OUT}=0$		3.4	6	mA
Quiescent Current Change	ΔI_Q	$V_{IN}=14.8V$ to $30V$, $I_{OUT}=500mA$, $T_J=25^{\circ}C$		0.3	0.8	mA
		$I_{OUT}=5mA$ to $1A$, $T_J=25^{\circ}C$		0.08	0.5	
Ripple Rejection	PSRR	$V_{IN}=15V$ to $25V$, $f=120Hz$, $I_{OUT}=500mA$		60		dB
Dropout Voltage	V_{DROP}	$\Delta V_{OUT}=1\%$, $I_{OUT}=1A$, $T_J=25^{\circ}C$		2		V
Output Noise Voltage	N_O	$f=10Hz$ to $100kHz$, $T_A=25^{\circ}C$		10		$\mu V/V_O$
Output Resistance	R_O	$f=1kHz$		11		$m\Omega$
Short Circuit Current	I_{SC}	$V_{IN}=35V$, $T_A=25^{\circ}C$		0.2		A
Peak Output Current	I_{PK}	$V_{IN}=18V$, $T_J=25^{\circ}C$		2.2		A
Output Voltage Temperature Coefficient	$\Delta V_{OUT}/\Delta T$			0.96		$mV/^{\circ}C$
	$(\Delta V_{OUT}/V_{OUT})/\Delta T$			80		ppm/ $^{\circ}C$
Thermal Resistance	θ_{JC}	TO-220-3		9		$^{\circ}C/W$
		TO-252-2 (1)/TO-252-2 (3)/TO-252-2 (4)		16		
		TO-220F-3		9		



1A 3-TERMINAL POSITIVE VOLTAGE REGULATOR

AS78XXA

Electrical Characteristics (Continued)

AS7815A ($V_{IN}=23V$, $I_{OUT}=1A$, $T_J=-40$ to $125^{\circ}C$, unless otherwise specified.)

Parameter	Symbol	Conditions	Min	Typ	Max	Unit
Output Voltage	V_{OUT}	$T_J=25^{\circ}C$	14.7	15	15.3	V
		$I_{OUT}=5mA$ to $1A$, $V_{IN}=17.9V$ to $30V$, $P_D \leq 15W$	14.4		15.6	
Line Regulation	V_{RLINE}	$V_{IN}=17.9V$ to $30V$, $I_{OUT}=500mA$, $T_J=25^{\circ}C$		35	150	mV
Load Regulation	V_{RLOAD}	$V_{IN}=23V$, $I_{OUT}=5mA$ to $1A$, $T_J=25^{\circ}C$		70	150	mV
Quiescent Current	I_Q	$V_{IN}=23V$, $I_{OUT}=0$		3.4	6	mA
Quiescent Current Change	ΔI_Q	$V_{IN}=17.9V$ to $30V$, $I_{OUT}=500mA$, $T_J=25^{\circ}C$		0.3	0.8	mA
		$I_{OUT}=5mA$ to $1A$, $T_J=25^{\circ}C$		0.08	0.5	
Ripple Rejection	PSRR	$V_{IN}=18.5V$ to $28.5V$, $f=120Hz$, $I_{OUT}=500mA$		58		dB
Dropout Voltage	V_{DROP}	$\Delta V_{OUT}=1\%$, $I_{OUT}=1A$, $T_J=25^{\circ}C$		2		V
Output Noise Voltage	N_O	$f=10Hz$ to $100kHz$, $T_A=25^{\circ}C$		10		$\mu V/V_O$
Output Resistance	R_O	$f=1kHz$		11		$m\Omega$
Short Circuit Current	I_{SC}	$V_{IN}=35V$, $T_A=25^{\circ}C$		0.2		A
Peak Output Current	I_{PK}	$V_{IN}=21V$, $T_J=25^{\circ}C$		2.2		A
Output Voltage Temperature Coefficient	$\Delta V_{OUT}/\Delta T$			1.2		$mV/^{\circ}C$
	$(\Delta V_{OUT}/V_{OUT})/\Delta T$			80		ppm/ $^{\circ}C$
Thermal Resistance	θ_{JC}	TO-220-3		9		$^{\circ}C/W$
		TO-252-2 (1)/TO-252-2 (3)/TO-252-2 (4)		16		
		TO-220F-3		9		



1A 3-TERMINAL POSITIVE VOLTAGE REGULATOR

AS78XXA

Electrical Characteristics (Continued)

AS7818A ($V_{IN}=27V$, $I_{OUT}=1A$, $T_J=-40$ to $125^{\circ}C$, unless otherwise specified.)

Parameter	Symbol	Conditions	Min	Typ	Max	Unit
Output Voltage	V_{OUT}	$T_J=25^{\circ}C$	17.64	18	18.36	V
		$I_{OUT}=5mA$ to $1A$, $V_{IN}=21V$ to $33V$, $P_D \leq 15W$	17.3		18.7	
Line Regulation	V_{RLINE}	$V_{IN}=21V$ to $33V$, $I_{OUT}=500mA$, $T_J=25^{\circ}C$		45	180	mV
Load Regulation	V_{RLOAD}	$V_{IN}=27V$, $I_{OUT}=5mA$ to $1A$, $T_J=25^{\circ}C$		85	180	mV
Quiescent Current	I_Q	$V_{IN}=27V$, $I_{OUT}=0$		3.6	6	mA
Quiescent Current Change	ΔI_Q	$V_{IN}=21V$ to $33V$, $I_{OUT}=500mA$, $T_J=25^{\circ}C$		0.3	0.8	mA
		$I_{OUT}=5mA$ to $1A$, $T_J=25^{\circ}C$		0.08	0.5	
Ripple Rejection	PSRR	$V_{IN}=22V$ to $32V$, $f=120Hz$, $I_{OUT}=500mA$		57		dB
Dropout Voltage	V_{DROP}	$\Delta V_{OUT}=1\%$, $I_{OUT}=1A$, $T_J=25^{\circ}C$		2		V
Output Noise Voltage	N_O	$f=10Hz$ to $100kHz$, $T_A=25^{\circ}C$		10		$\mu V/V_O$
Output Resistance	R_O	$f=1kHz$		11		$m\Omega$
Short Circuit Current	I_{SC}	$V_{IN}=35V$, $T_A=25^{\circ}C$		0.2		A
Peak Output Current	I_{PK}	$V_{IN}=24V$, $T_J=25^{\circ}C$		2.2		A
Output Voltage Temperature Coefficient	$\Delta V_{OUT}/\Delta T$			1.44		$mV/^{\circ}C$
	$(\Delta V_{OUT}/V_{OUT})/\Delta T$			80		ppm/ $^{\circ}C$
Thermal Resistance	θ_{JC}	TO-220-3		9		$^{\circ}C/W$
		TO-252-2 (1)/TO-252-2 (3)/TO-252-2 (4)		16		
		TO-220F-3		9		



1A 3-TERMINAL POSITIVE VOLTAGE REGULATOR

AS78XXA

Typical Performance Characteristics

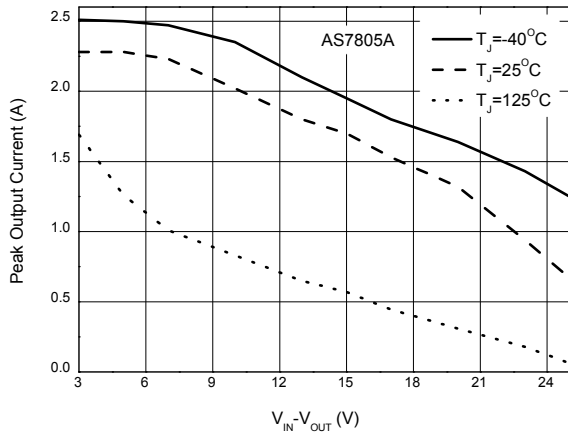


Figure 4. Peak Output Current vs. Input/Output Differential Voltage

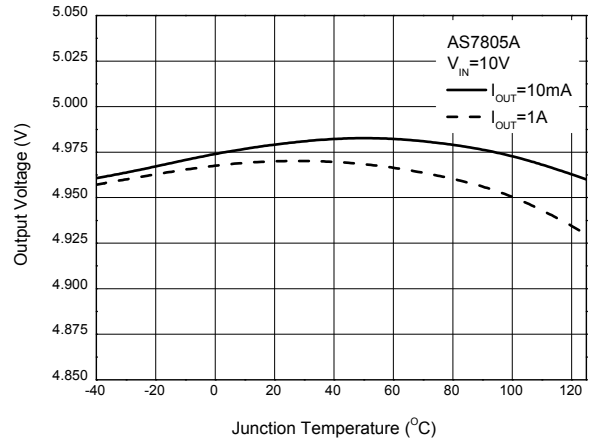


Figure 5. Output Voltage vs. Junction Temperature

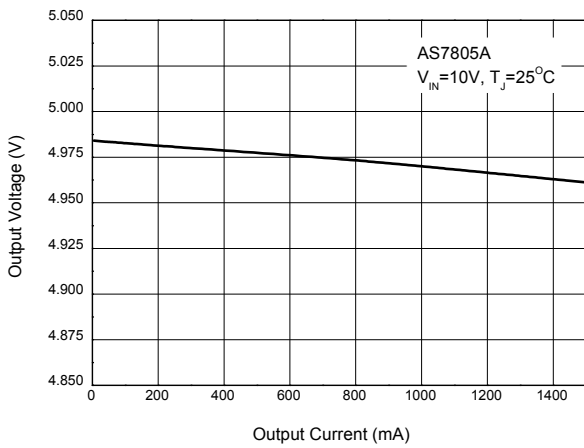


Figure 6. Output Voltage vs. Output Current

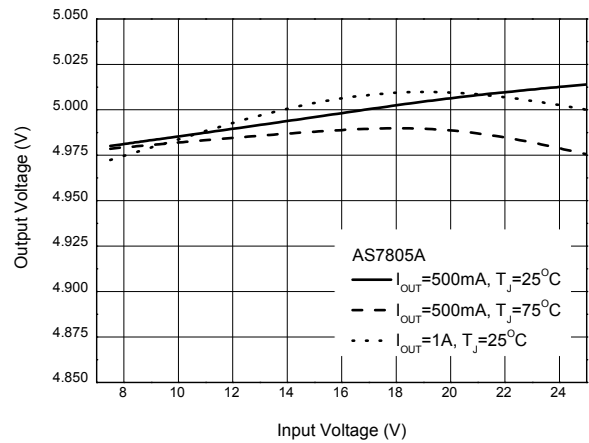


Figure 7. Output Voltage vs. Input Voltage



1A 3-TERMINAL POSITIVE VOLTAGE REGULATOR

AS78XXA

Typical Performance Characteristics (Continued)

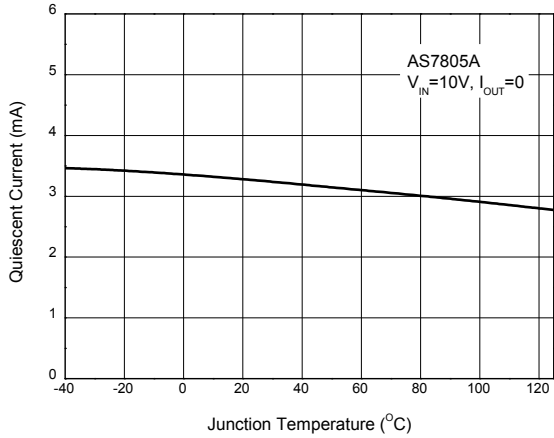


Figure 8. Quiescent Current vs. Junction Temperature

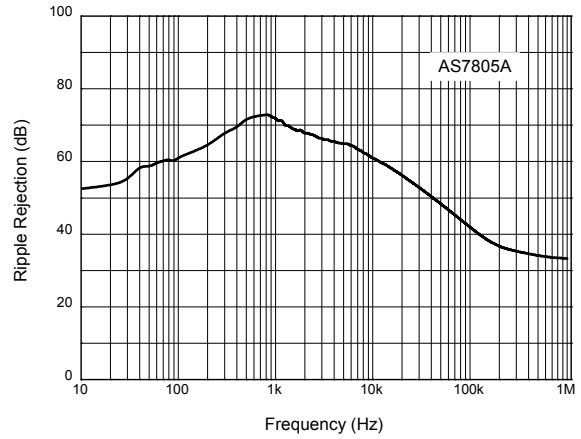


Figure 9. Ripple Rejection vs. Frequency

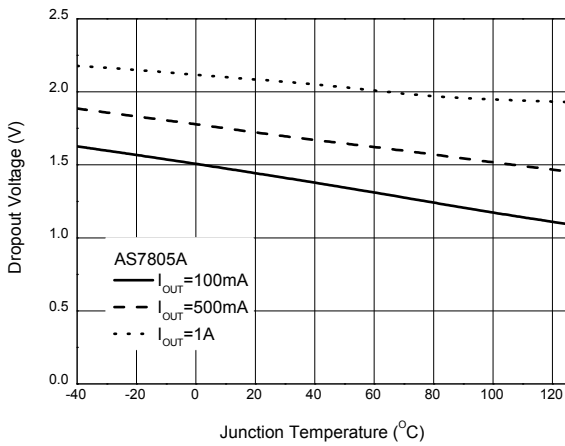


Figure 10. Dropout Voltage vs. Junction Temperature

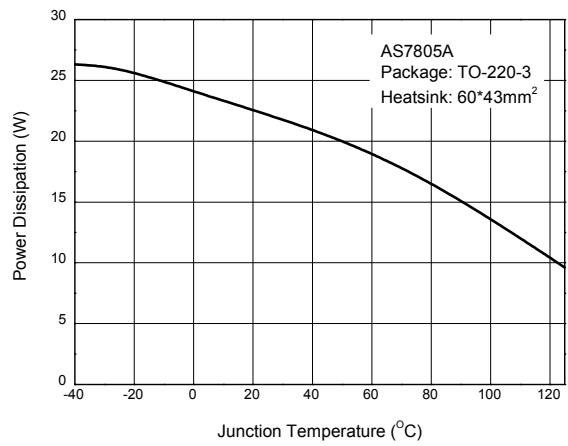


Figure 11. Power Dissipation vs. Junction Temperature

1A 3-TERMINAL POSITIVE VOLTAGE REGULATOR

AS78XXA

Typical Performance Characteristics (Continued)

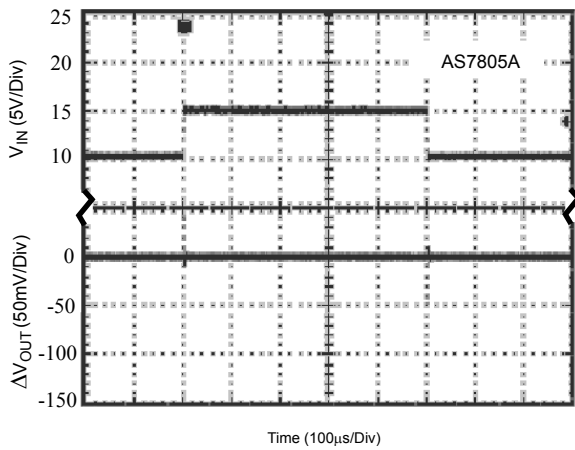


Figure 12. Line Transient
(Conditions: $I_{OUT}=500\text{mA}$, $C_{OUT}=0.1\mu\text{F}$)

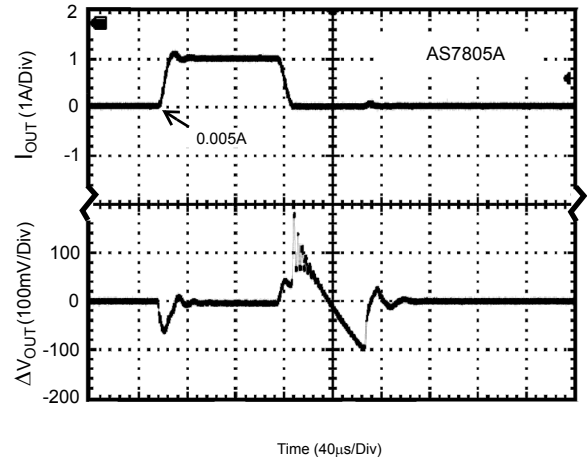


Figure 13. Load Transient
(Conditions: $V_{IN}=10\text{V}$, $C_{IN}=0.33\mu\text{F}$, $C_{OUT}=0.1\mu\text{F}$)

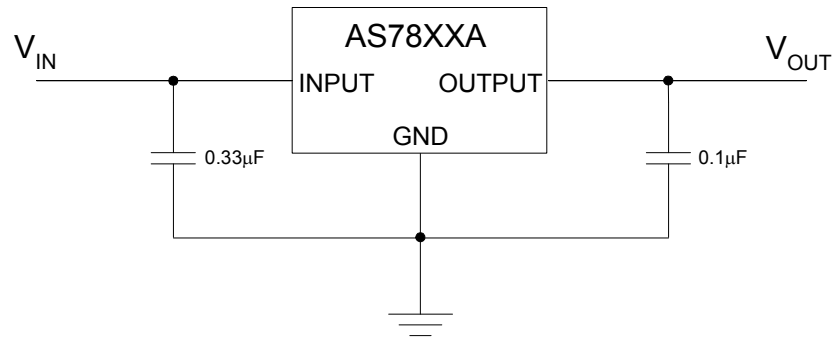
1A 3-TERMINAL POSITIVE VOLTAGE REGULATOR**AS78XXA****Typical Application**

Figure 14. Typical Application of AS78XXA



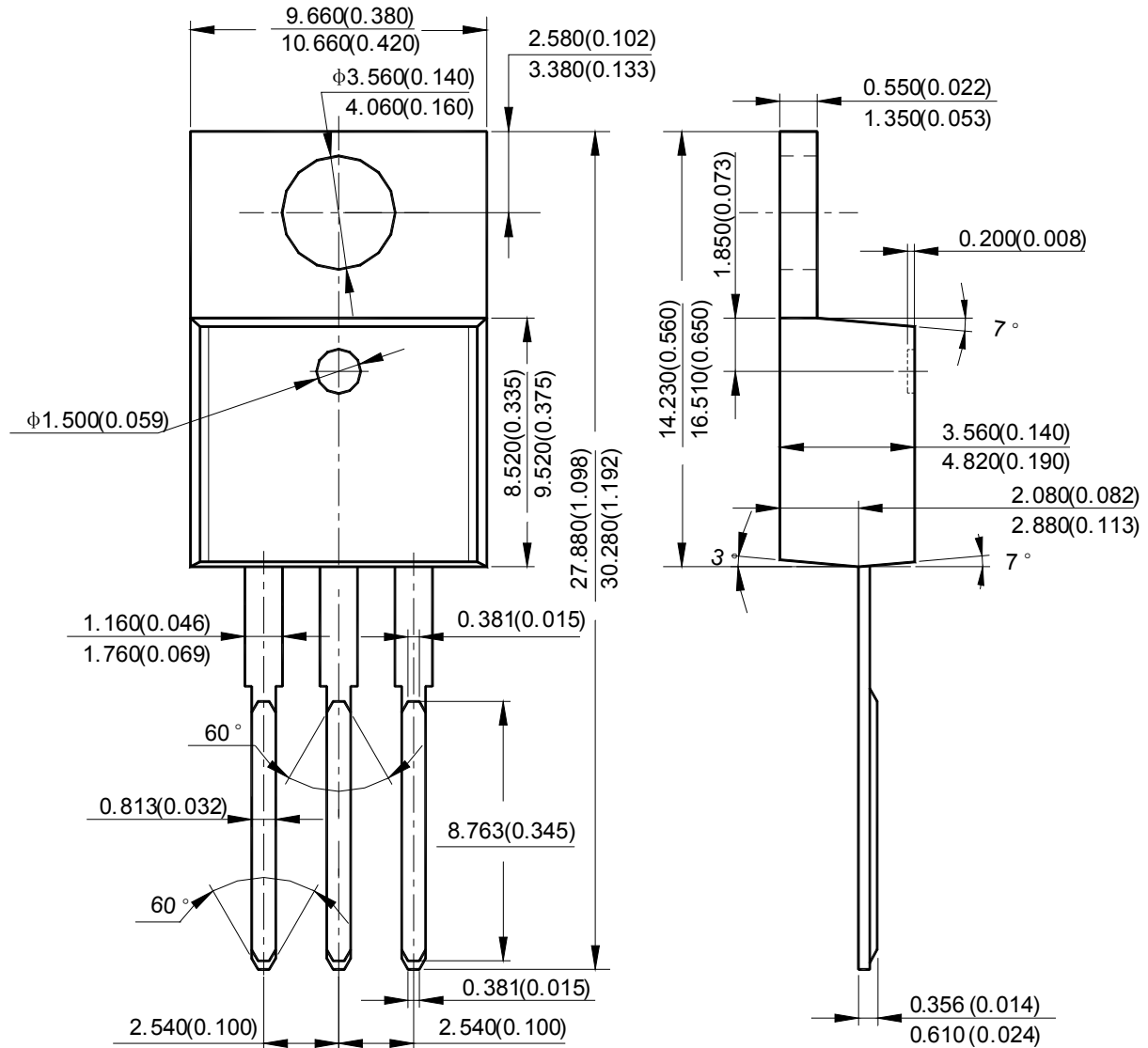
1A 3-TERMINAL POSITIVE VOLTAGE REGULATOR

AS78XXA

Mechanical Dimensions

TO-220-3

Unit: mm(inch)





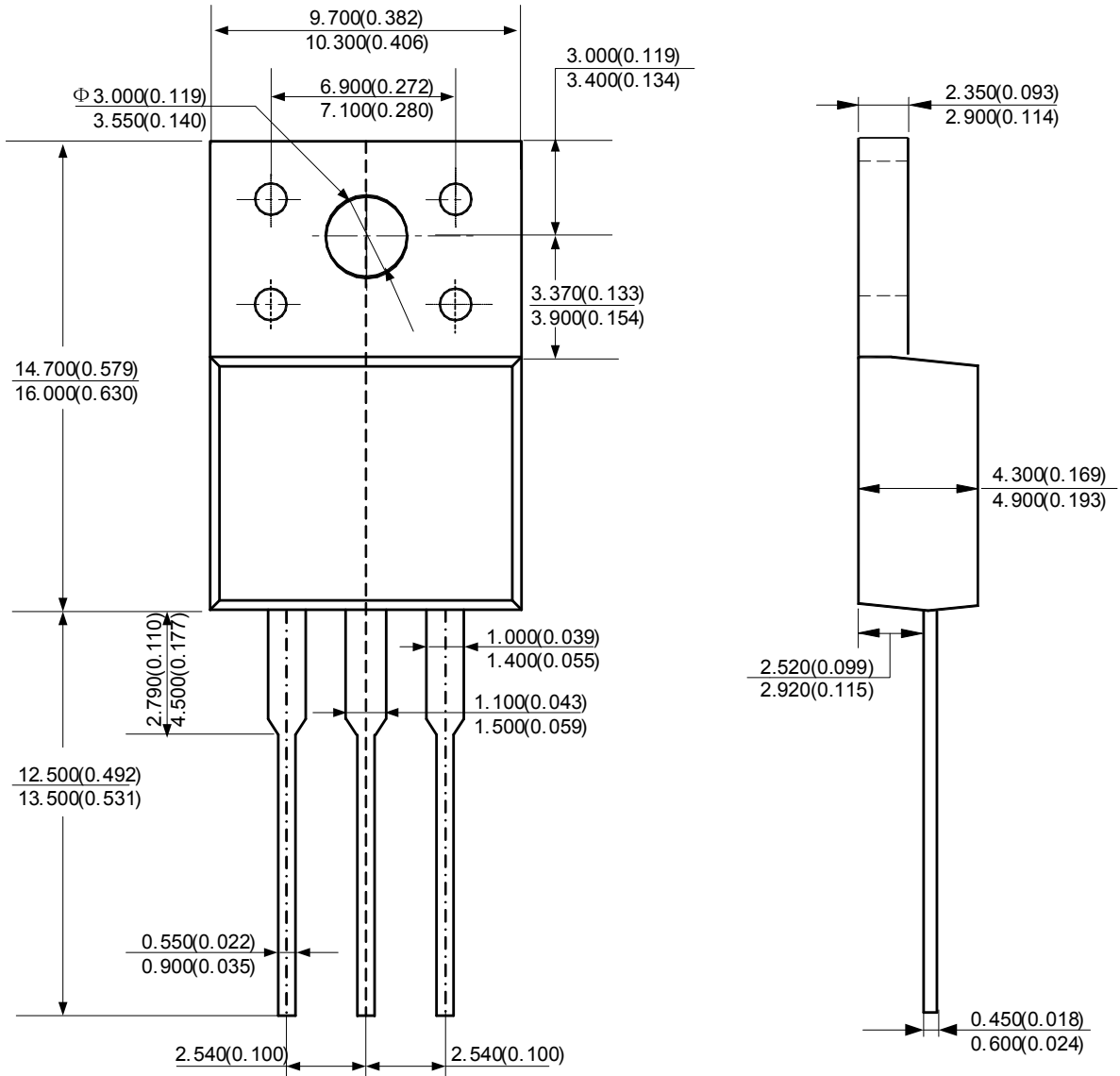
1A 3-TERMINAL POSITIVE VOLTAGE REGULATOR

AS78XXA

Mechanical Dimensions (Continued)

TO-220F-3

Unit: mm(inch)





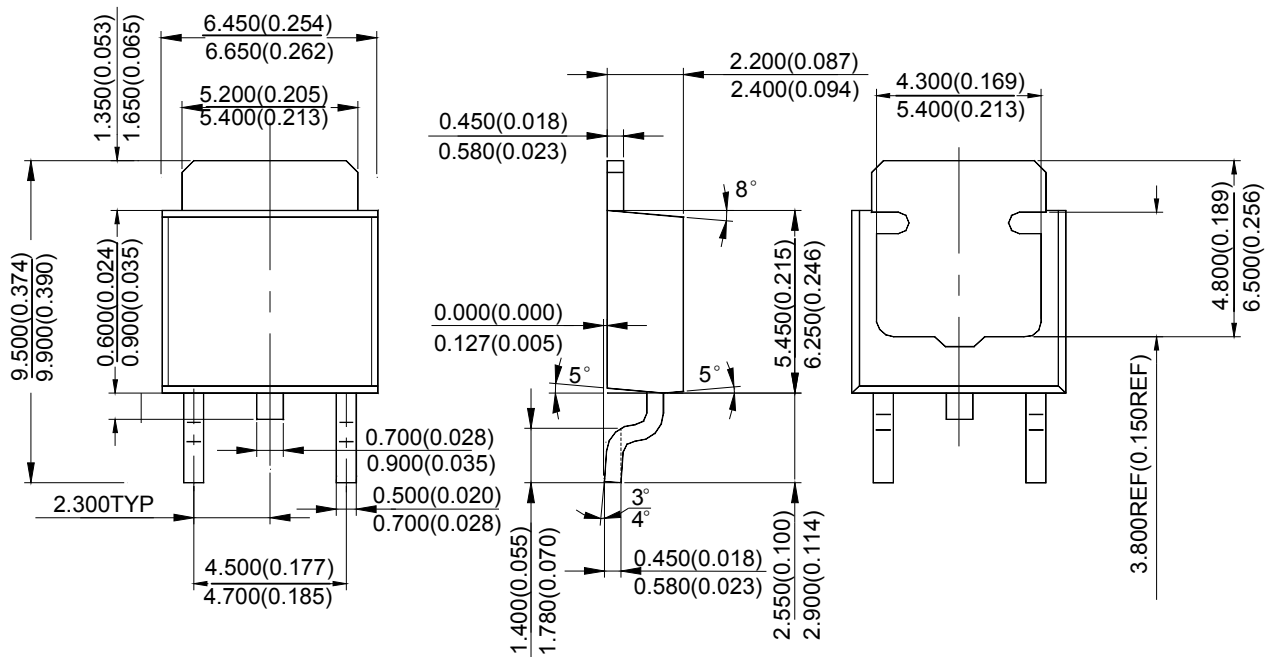
1A 3-TERMINAL POSITIVE VOLTAGE REGULATOR

AS78XXA

Mechanical Dimensions (Continued)

TO-252-2 (1)

Unit: mm(inch)





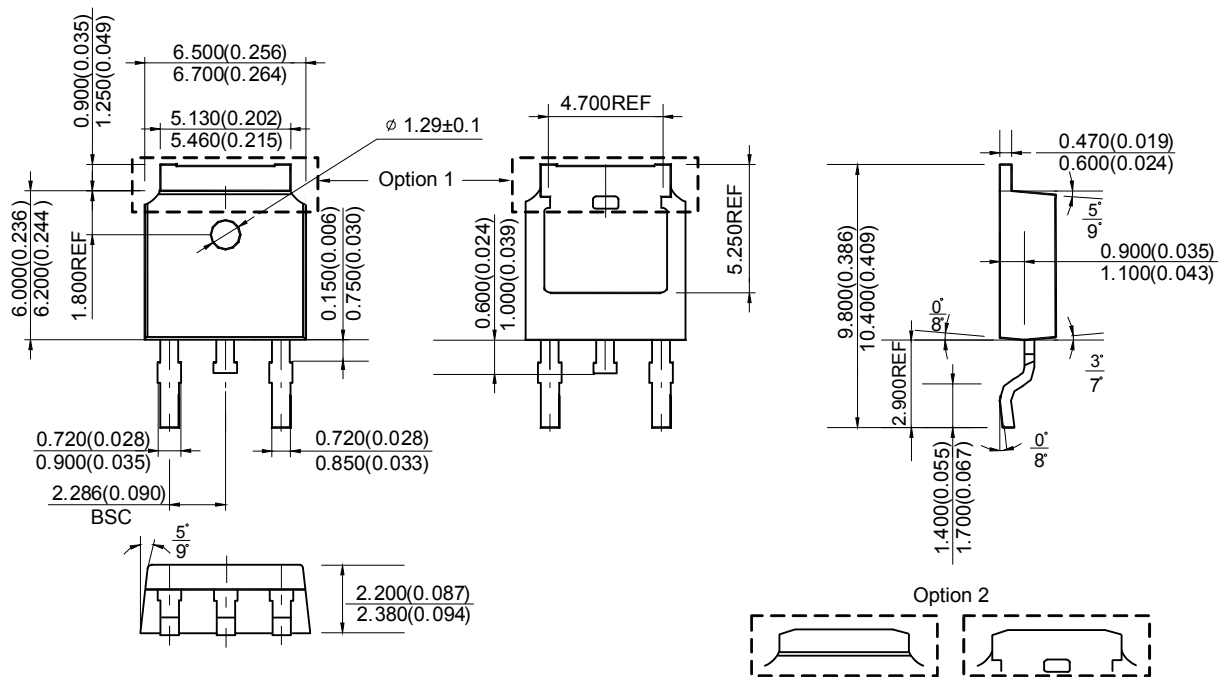
1A 3-TERMINAL POSITIVE VOLTAGE REGULATOR

AS78XXA

Mechanical Dimensions (Continued)

TO-252-2 (3)

Unit: mm(inch)





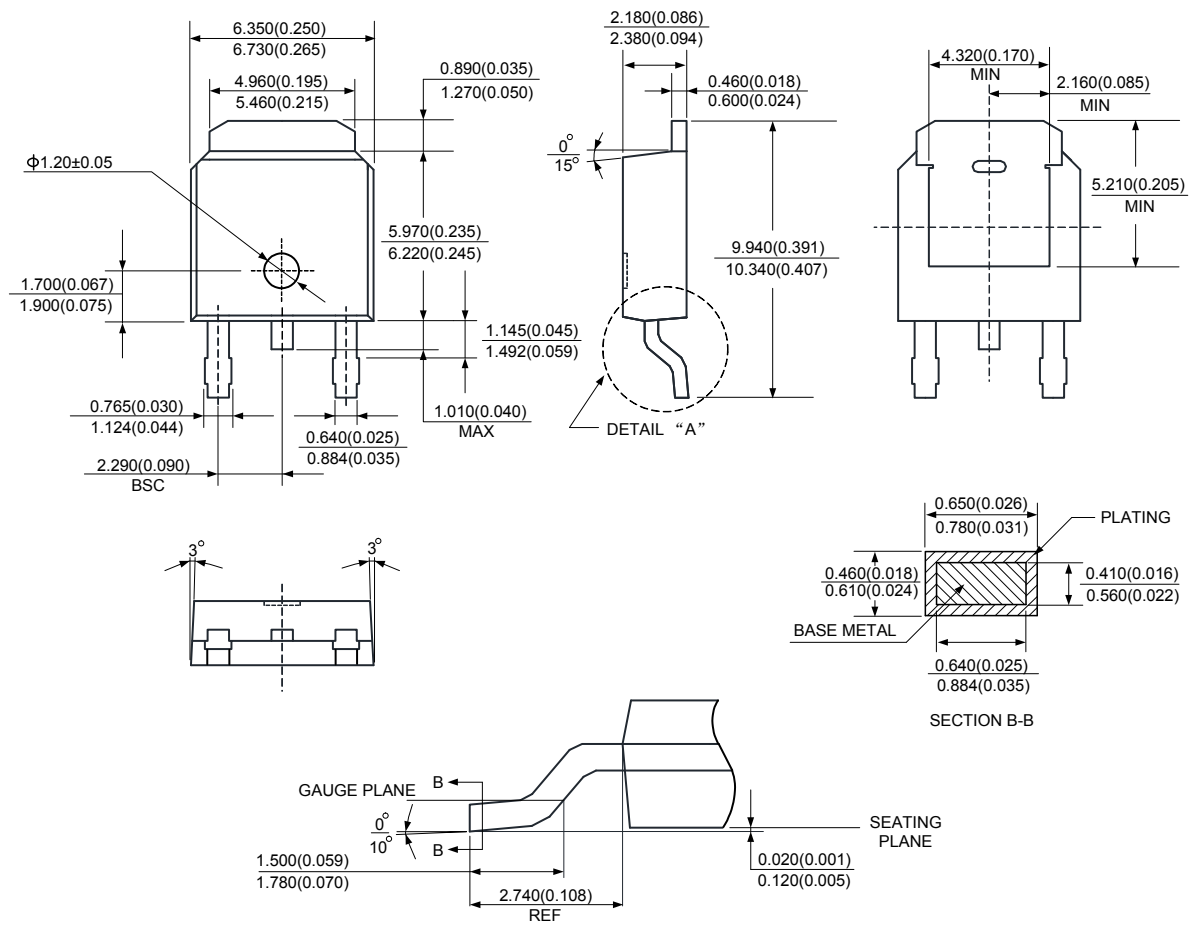
1A 3-TERMINAL POSITIVE VOLTAGE REGULATOR

AS78XXA

Mechanical Dimensions (Continued)

TO-252-2 (4)

Unit: mm(inch)





BCD Semiconductor Manufacturing Limited

<http://www.bcdsemi.com>

IMPORTANT NOTICE

BCD Semiconductor Manufacturing Limited reserves the right to make changes without further notice to any products or specifications herein. BCD Semiconductor Manufacturing Limited does not assume any responsibility for use of any its products for any particular purpose, nor does BCD Semiconductor Manufacturing Limited assume any liability arising out of the application or use of any its products or circuits. BCD Semiconductor Manufacturing Limited does not convey any license under its patent rights or other rights nor the rights of others.

MAIN SITE

- Headquarters

BCD Semiconductor Manufacturing Limited

No. 1600, Zi Xing Road, Shanghai Zizhu Science-based Industrial Park, 200241, China
Tel: +86-21-24162266, Fax: +86-21-24162277

- Wafer Fab

Shanghai SIM-BCD Semiconductor Manufacturing Co., Ltd.

800 Yi Shan Road, Shanghai 200233, China
Tel: +86-21-6485 1491, Fax: +86-21-5450 0008

REGIONAL SALES OFFICE

Shenzhen Office

Shanghai SIM-BCD Semiconductor Manufacturing Co., Ltd., Shenzhen Office

Unit A Room 1203, Skyworth Bldg., Gaoxin Ave. 1.S., Nanshan District, Shenzhen, China
Tel: +86-755-8826 7951
Fax: +86-755-8826 7865

Taiwan Office

BCD Semiconductor (Taiwan) Company Limited

4F, 298-1, Rui Guang Road, Nei-Hu District, Taipei, Taiwan
Tel: +886-2-2656 2808
Fax: +886-2-2656 2806

USA Office

BCD Semiconductor Corp.

30920 Huntwood Ave. Hayward, CA 94544, USA
Tel : +1-510-324-2988
Fax: +1-510-324-2788



Компания «ЭлектроПласт» предлагает заключение долгосрочных отношений при поставках импортных электронных компонентов на взаимовыгодных условиях!

Наши преимущества:

- Оперативные поставки широкого спектра электронных компонентов отечественного и импортного производства напрямую от производителей и с крупнейших мировых складов;
- Поставка более 17-ти миллионов наименований электронных компонентов;
- Поставка сложных, дефицитных, либо снятых с производства позиций;
- Оперативные сроки поставки под заказ (от 5 рабочих дней);
- Экспресс доставка в любую точку России;
- Техническая поддержка проекта, помощь в подборе аналогов, поставка прототипов;
- Система менеджмента качества сертифицирована по Международному стандарту ISO 9001;
- Лицензия ФСБ на осуществление работ с использованием сведений, составляющих государственную тайну;
- Поставка специализированных компонентов (Xilinx, Altera, Analog Devices, Intersil, Interpoint, Microsemi, Aeroflex, Peregrine, Syfer, Eurofarad, Texas Instrument, Miteq, Cobham, E2V, MA-COM, Hittite, Mini-Circuits, General Dynamics и др.);

Помимо этого, одним из направлений компании «ЭлектроПласт» является направление «Источники питания». Мы предлагаем Вам помощь Конструкторского отдела:

- Подбор оптимального решения, техническое обоснование при выборе компонента;
- Подбор аналогов;
- Консультации по применению компонента;
- Поставка образцов и прототипов;
- Техническая поддержка проекта;
- Защита от снятия компонента с производства.



Как с нами связаться

Телефон: 8 (812) 309 58 32 (многоканальный)

Факс: 8 (812) 320-02-42

Электронная почта: org@eplast1.ru

Адрес: 198099, г. Санкт-Петербург, ул. Калинина, дом 2, корпус 4, литера А.