

# 56F8037/56F8027

Data Sheet

*Technical Data*

**56F8000**  
**16-bit Digital Signal Controllers**

MC56F8037  
Rev. 8  
04/2012

[freescale.com](http://freescale.com)

## Document Revision History

Version History	Description of Change
Rev. 0	Initial public release.
Rev. 1	<ul style="list-style-type: none"> <li>• In Table 10-4, added an entry for flash data retention with less than 100 program/erase cycles (minimum 20 years).</li> <li>• In Table 10-6, changed the device clock speed in STOP mode from 8MHz to 4MHz.</li> <li>• In Table 10-12, changed the typical relaxation oscillator output frequency in Standby mode from 400kHz to 200kHz.</li> <li>• Changed input propagation delay values in Table 10-21 as follows:  <div style="text-align: center; margin-left: 40px;">                     Old values: 1 <math>\mu</math>s typical, 2 <math>\mu</math>s maximum                      New values: 35 ns typical, 45 ns maximum                 </div> </li> </ul>
Rev. 2	In Table 10-20, changed the maximum ADC internal clock frequency from 8MHz to 5.33MHz.
Rev. 3	<ul style="list-style-type: none"> <li>• Added the following note to the description of the TMS signal in Table 2-3:  <b>Note:</b> Always tie the TMS pin to <math>V_{DD}</math> through a 2.2K resistor.</li> <li>• Changed the description of the GPIOC4 signal in Table 2-3 (was "...the signal goes to both the ANA0 and CMPA13", is "...the signal goes to both ANB0 and CMPB13").</li> </ul>
Rev. 4	<ul style="list-style-type: none"> <li>• Changed the ITCN_BASE address In <a href="#">Table 5-3</a> (was \$00 F060, is \$00 F0E0).</li> <li>• In <a href="#">Figure 5-10</a>, moved the footnote marker (superscript 1) from bit 4 to "RESET".</li> <li>• Changed the STANDBY &gt; STOP <math>I_{DD}</math> values in <a href="#">Table 10-6</a> as follows:  <div style="text-align: center; margin-left: 40px;">                     Typical: was 290<math>\mu</math>A, is 540<math>\mu</math>A                      Maximum: was 390<math>\mu</math>A, is 650<math>\mu</math>A                 </div> </li> <li>• Changed the POWERDOWN <math>I_{DD}</math> values in <a href="#">Table 10-6</a> as follows:  <div style="text-align: center; margin-left: 40px;">                     Typical: was 190<math>\mu</math>A, is 440<math>\mu</math>A                      Maximum: was 250<math>\mu</math>A, is 550<math>\mu</math>A                 </div> </li> <li>• Changed footnote 1 in <a href="#">Table 10-12</a> (was "Output frequency after application of 8MHz trim value, at 125°C.", is "Output frequency after application of factory trim").</li> <li>• Deleted the text "at 125°C" from <a href="#">Figure 10-5</a>.</li> <li>• Changed the maximum input offset voltage in <a href="#">Table 10-21</a> (was +/- 20 mV, is <math>\pm</math>35 mV).</li> </ul>
Rev. 5	<ul style="list-style-type: none"> <li>• In <a href="#">Table 2-3</a>, changed <math>V_{CAP}</math> value from 4.7<math>\mu</math>F to 2.2<math>\mu</math>F.</li> <li>• Revised <a href="#">Section 7, Security Features</a>.</li> <li>• Added information for 56F8027 device throughout document.</li> <li>• Fixed miscellaneous typos.</li> </ul>

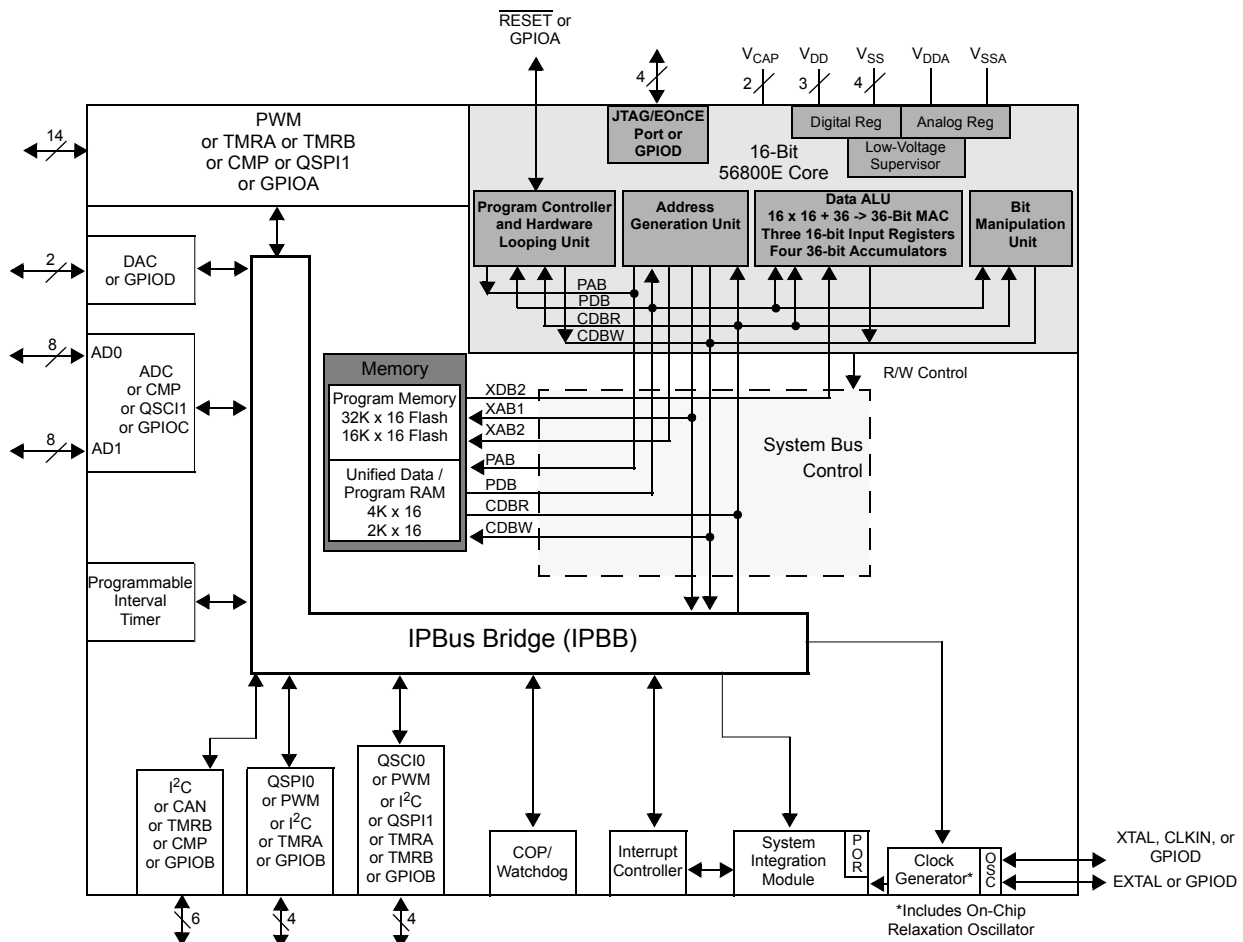
## Document Revision History

Version History	Description of Change
Rev. 6	<p>In the table <b>Recommended Operating Conditions</b>, removed the line “XTAL not driven by an external clock“ from the characteristic:            “Oscillator Input Voltage High            XTAL not driven by an external clock            XTAL driven by an external clock source”</p> <p>In the table <b>56F8037/56F8027 Ordering Information</b>, changed “MC56F8027VLD“ to “MC56F8027VLH“</p> <p>Removed “Preliminary” from data sheet</p> <p>In the <b>Select Peripheral Input Source for PWM2/PWM3 Pair Source Bits</b>, fixed typos</p> <p>Added new part number to ordering information: MC56F8027MLH</p>
Rev. 7	<p>Added MC56F8037MLH to the part ordering table.</p>
Rev. 8	<ul style="list-style-type: none"> <li>• In section <a href="#">Section 5.6.18</a>, changed bit15 from “PENDING” to reserved.</li> <li>• Added section <a href="#">Section 5.6.18.2</a> to describe the reserved bit.</li> </ul>

Please see <http://www.freescale.com> for the most current data sheet revision.

# 56F8037/56F8027 General Description

- Up to 32 MIPS at 32MHz core frequency
- DSP and MCU functionality in a unified, C-efficient architecture
- 56F8037 offers 64KB (32K x 16) Program Flash
- 56F8027 offers 32KB (16K x 16) Program Flash
- 56F8037 offers 8KB (4K x 16) Unified Data/Program RAM
- 56F8027 offers 4KB (2K x 16) Unified Data/Program RAM
- One 6-channel PWM module
- Two 8-channel 12-bit Analog-to-Digital Converters (ADCs)
- Two 12-bit Digital-to-Analog Converters (DACs)
- Two Analog Comparators
- Three Programmable Interval Timers (PITs)
- Two Queued Serial Communication Interfaces (QSCIs) with LIN slave functionality
- Two Queued Serial Peripheral Interfaces (QSPIs)
- Freescale's scalable controller area network (MSCAN) 2.0 A/B Module
- Two 16-bit Quad Timers
- One Inter-Integrated Circuit (I<sup>2</sup>C) port
- Computer Operating Properly (COP)/Watchdog
- On-Chip Relaxation Oscillator
- Integrated Power-On Reset (POR) and Low-Voltage Interrupt (LVI) module
- JTAG/Enhanced On-Chip Emulation (OnCE™) for unobtrusive, real-time debugging



**56F8037/56F8027 Block Diagram**



# Part 1 Overview

## 1.1 56F8037/56F8027 Features

### 1.1.1 Digital Signal Controller Core

- Efficient 16-bit 56800E family Digital Signal Controller (DSC) engine with dual Harvard architecture
- As many as 32 Million Instructions Per Second (MIPS) at 32MHz core frequency
- Single-cycle 16 × 16-bit parallel Multiplier-Accumulator (MAC)
- Four 36-bit accumulators, including extension bits
- 32-bit arithmetic and logic multi-bit shifter
- Parallel instruction set with unique DSP addressing modes
- Hardware DO and REP loops
- Three internal address buses
- Four internal data buses
- Instruction set supports both DSP and controller functions
- Controller-style addressing modes and instructions for compact code
- Efficient C compiler and local variable support
- Software subroutine and interrupt stack with depth limited only by memory
- JTAG/Enhanced On-Chip Emulation (OnCE) for unobtrusive, processor speed-independent, real-time debugging

### 1.1.2 Difference Between Devices

**Table 1-1** outlines the key differences between the 56F8037 and 56F8027 devices.

**Table 1-1 Device Differences**

Feature	56F8037	56F8027
Program Flash	64KB	32KB
Unified Data/Program RAM	8KB	4KB

### 1.1.3 Memory

- Dual Harvard architecture permits as many as three simultaneous accesses to program and data memory
- Flash security and protection that prevent unauthorized users from gaining access to the internal Flash
- On-chip memory
  - 64KB of Program Flash (56F8037 device)
  - 32KB of Program Flash (56F8027 device)
  - 8KB of Unified Data/Program RAM (56F8037 device)
  - 4KB of Unified Data/Program RAM (56F8027 device)
- EEPROM emulation capability using Flash

### 1.1.4 Peripheral Circuits for 56F8037/56F8027

- One multi-function six-output Pulse Width Modulator (PWM) module
  - Up to 96MHz PWM operating clock
  - 15 bits of resolution
  - Center-aligned and Edge-aligned PWM signal mode
  - Four programmable fault inputs with programmable digital filter
  - Double-buffered PWM registers
  - Each complementary PWM signal pair allows selection of a PWM supply source from:
    - PWM generator
    - External GPIO
    - Internal timers
    - Analog comparator outputs
    - ADC conversion result which compares with values of ADC high- and low-limit registers to set PWM output
- Two independent 12-bit Analog-to-Digital Converters (ADCs)
  - 2 x 8 channel inputs
  - Supports both simultaneous and sequential conversions
  - ADC conversions can be synchronized by both PWM and timer modules
  - Sampling rate up to 2.67MSPS
  - 16-word result buffer registers
- Two 12-bit Digital-to-Analog Converters (DACs)
  - 2 microsecond settling time when output swing from rail to rail
  - Automatic waveform generation generates square, triangle and sawtooth waveforms with programmable period, update rate, and range
- Two 16-bit multi-purpose Quad Timer modules (TMRs)
  - Up to 96MHz operating clock
  - Eight independent 16-bit counter/timers with cascading capability
  - Each timer has capture and compare capability
  - Up to 12 operating modes
- Two Queued Serial Communication Interfaces (QSCIs) with LIN Slave functionality
  - Full-duplex or single-wire operation
  - Two receiver wake-up methods:
    - Idle line
    - Address mark
  - Four-bytes-deep FIFOs are available on both transmitter and receiver
- Two Queued Serial Peripheral Interfaces (QSPIs)



- Full-duplex operation
- Master and slave modes
- Four-words-deep FIFOs available on both transmitter and receiver
- Programmable Length Transactions (2 to 16 bits)
- One Inter-Integrated Circuit (I<sup>2</sup>C) port
  - Operates up to 400kbps
  - Supports both master and slave operation
  - Supports both 10-bit address mode and broadcasting mode
- One Freescale scalable controller area network (MSCAN) module
  - Fully compliant with CAN protocol - Version 2.0 A/B
  - Supports standard and extended data frames
  - Supports data rate up to 1Mbps
  - Five receive buffers and three transmit buffers
- Three 16-bit Programmable Interval Timers (PITs)
- Two analog Comparators (CMPs)
  - Selectable input source includes external pins, DACs
  - Programmable output polarity
  - Output can drive Timer input, PWM fault input, PWM source, external pin output and trigger ADCs
  - Output falling and rising edge detection able to generate interrupts
- Computer Operating Properly (COP)/Watchdog timer capable of selecting different clock sources
- Up to 53 General-Purpose I/O (GPIO) pins with 5V tolerance
- Integrated Power-On Reset and Low-Voltage Interrupt Module
- Phase Lock Loop (PLL) to provide high-speed clock to the core and peripherals
- Clock sources:
  - On-chip relaxation oscillator
  - External clock: crystal oscillator, ceramic resonator and external clock source
- JTAG/EOnCE debug programming interface for real-time debugging

### 1.1.5 Energy Information

- Fabricated in high-density CMOS with 5V tolerance
- On-chip regulators for digital and analog circuitry to lower cost and reduce noise
- Wait and Stop modes available
- ADC smart power management
- Each peripheral can be individually disabled to save power

## 1.2 56F8037/56F8027 Description

The 56F8037/56F8027 is a member of the 56800E core-based family of Digital Signal Controllers (DSCs). It combines, on a single chip, the processing power of a DSP and the functionality of a microcontroller with a flexible set of peripherals to create an extremely cost-effective solution. Because of its low cost,



configuration flexibility, and compact program code, the 56F8037/56F8027 is well-suited for many applications. The 56F8037/56F8027 includes many peripherals that are especially useful for industrial control, motion control, home appliances, general purpose inverters, smart sensors, fire and security systems, switched-mode power supply, power management, and medical monitoring applications.

The 56800E core is based on a dual Harvard-style architecture consisting of three execution units operating in parallel, allowing as many as six operations per instruction cycle. The MCU-style programming model and optimized instruction set allow straightforward generation of efficient, compact DSP and control code. The instruction set is also highly efficient for C compilers to enable rapid development of optimized control applications.

The 56F8037/56F8027 supports program execution from internal memories. Two data operands can be accessed from the on-chip data RAM per instruction cycle. The 56F8037/56F8027 also offers up to 53 General Purpose Input/Output (GPIO) lines, depending on peripheral configuration.

The 56F8037 Digital Signal Controller includes 64KB of Program Flash and 8KB of Unified Data/Program RAM. The 56F8027 Digital Signal Controller includes 32KB of Program Flash and 4KB of Unified Data/Program RAM. Program Flash memory can be independently bulk erased or erased in pages. Program Flash page erase size is 512 Bytes (256 Words).

A full set of programmable peripherals—PWM, ADCs, QSCIs, QSPIs, I2C, PITs, Quad Timers, DACs and analog comparators—supports various applications. Each peripheral can be independently shut down to save power. Any pin in these peripherals can also be used as General Purpose Input/Outputs (GPIOs).

## 1.3 Award-Winning Development Environment

Processor Expert™ (PE) provides a Rapid Application Design (RAD) tool that combines easy-to-use component-based software application creation with an expert knowledge system.

The CodeWarrior Integrated Development Environment is a sophisticated tool for code navigation, compiling, and debugging. A complete set of evaluation modules (EVMs), demonstration board kit and development system cards will support concurrent engineering. Together, PE, CodeWarrior and EVMs create a complete, scalable tools solution for easy, fast, and efficient development.

## 1.4 Architecture Block Diagram

The 56F8037/56F8027's architecture is shown in [Figures 1-1, 1-2, 1-3, 1-4, 1-5, 1-6, and 1-7](#). [Figure 1-1](#) illustrates how the 56800E system buses communicate with internal memories and the IPBus Bridge and the internal connections between each unit of the 56800E core. [Figure 1-2](#) shows the peripherals and control blocks connected to the IPBus Bridge. [Figures 1-3, 1-4, 1-5, 1-6 and 1-7](#) detail how the device's I/O pins are muxed. The figures do not show the on-board regulator and power and ground signals. Please see [Part 2, Signal/Connection Descriptions](#), for information about which signals are multiplexed with those of other peripherals.

### 1.4.1 PWM, TMR and ADC Connections

[Figure 1-6](#) shows the over-limit and under-limit connections from the ADC to the PWM and the

connections to the PWM from the TMR and GPIO. These signals can control the PWM outputs in a similar manner as the PWM generator. See the **56F802x and 56F803x Peripheral Reference Manual** for additional information.

The PWM\_reload\_sync output can be connected to Timer A's (TMRA) Channel 3 input; TMRA's Channels 2 and 3 outputs are connected to the ADC sync inputs. TMRA Channel 3 output is connected to SYNC0 and TMRA Channel 2 is connected to SYNC1. SYNC0 is the master ADC sync input that is used to trigger ADCA and ADCB in sequence and parallel mode. SYNC1 is used to trigger ADCB in parallel independent mode. These are controlled by bits in the SIM Control Register; see [Section 6.3.1](#).

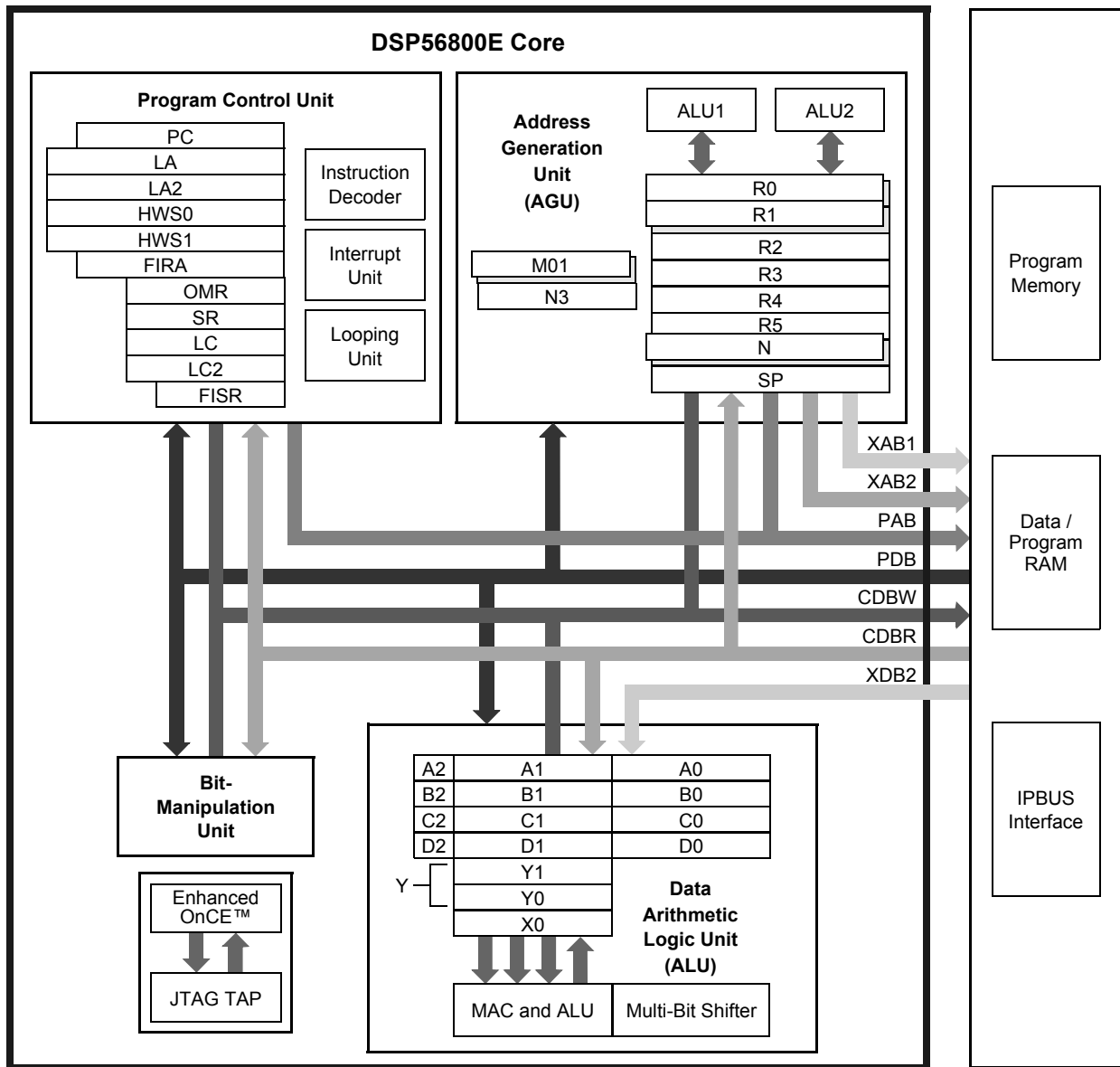
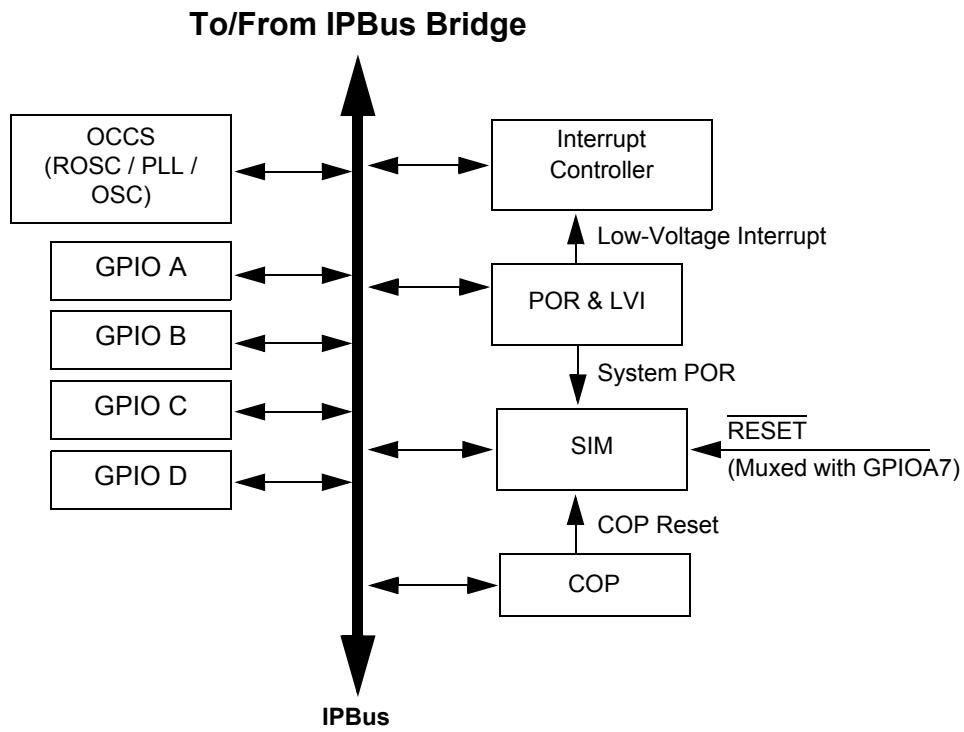


Figure 1-1 56800E Core Block Diagram



(Continues on [Figure 1-3](#))

**Figure 1-2 Peripheral Subsystem**

To/From IPBus Bridge

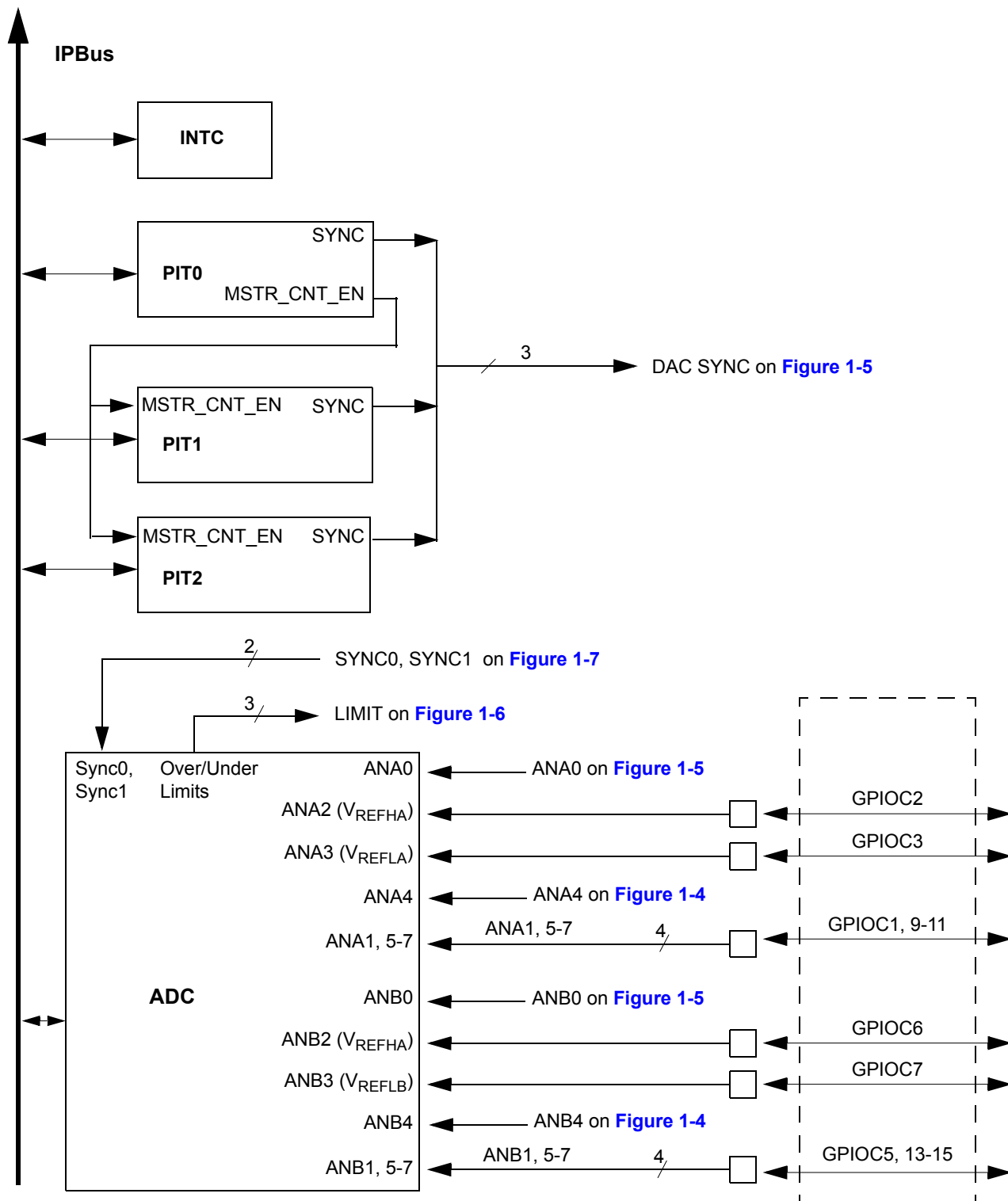


Figure 1-3 56F8037/56F8027 I/O Pin-Out Muxing (Part 1/5)

To/From IPBus Bridge

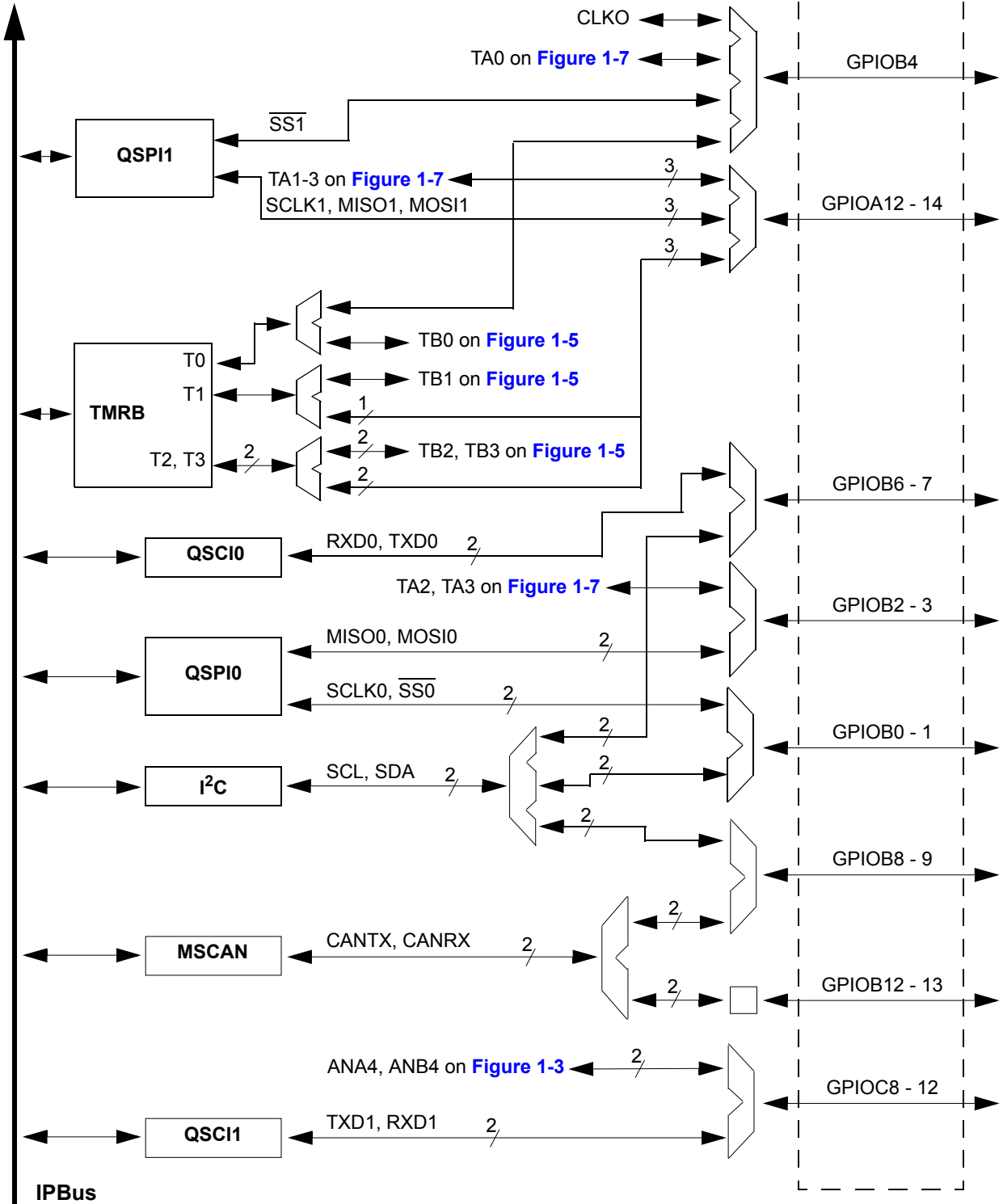
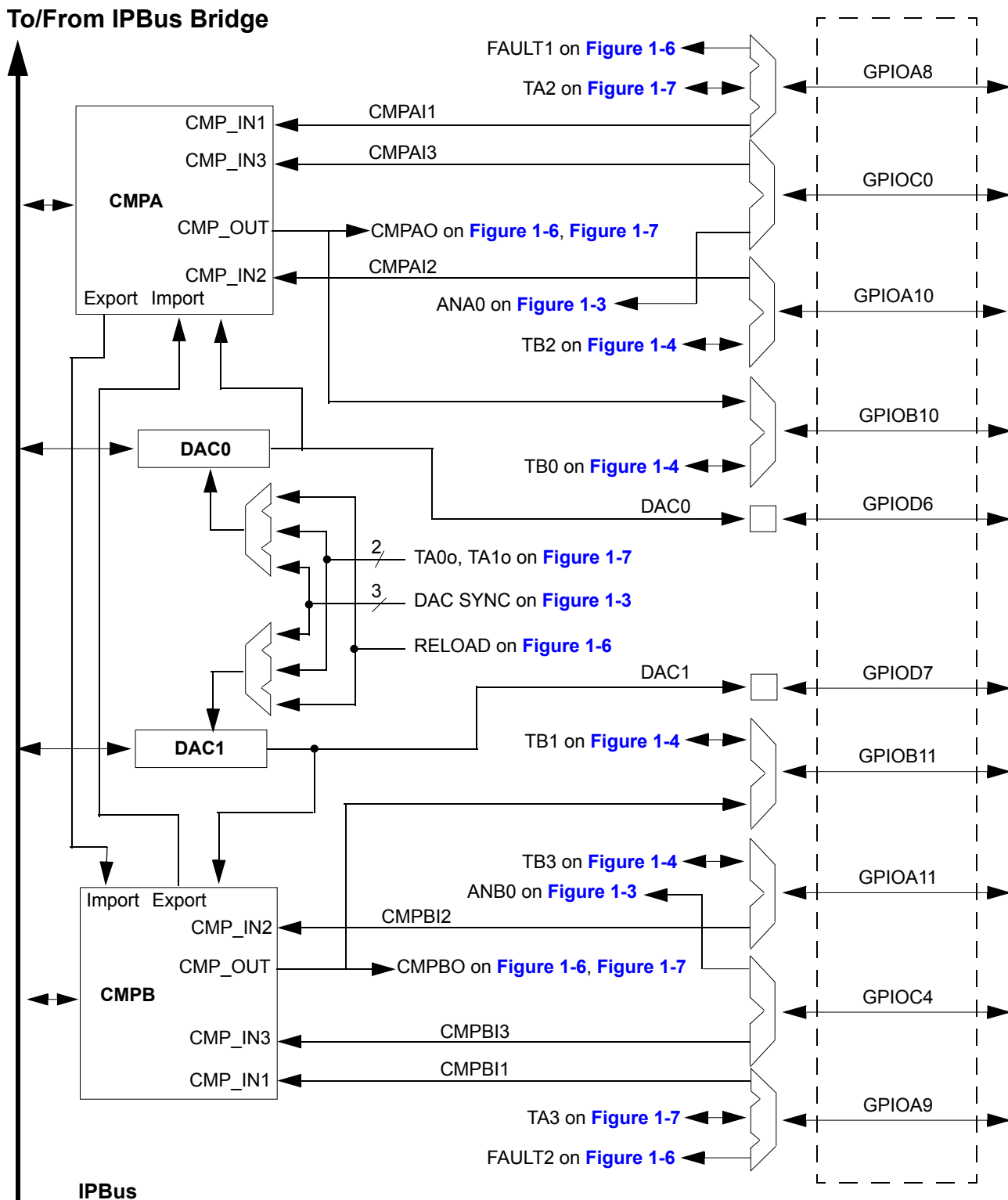


Figure 1-4 56F8037/56F8027 I/O Pin-Out Muxing (Part 2/5)



**Figure 1-5 56F8037/56F8027 I/O Pin-Out Muxing (Part 3/5)**

To/From IPBus Bridge

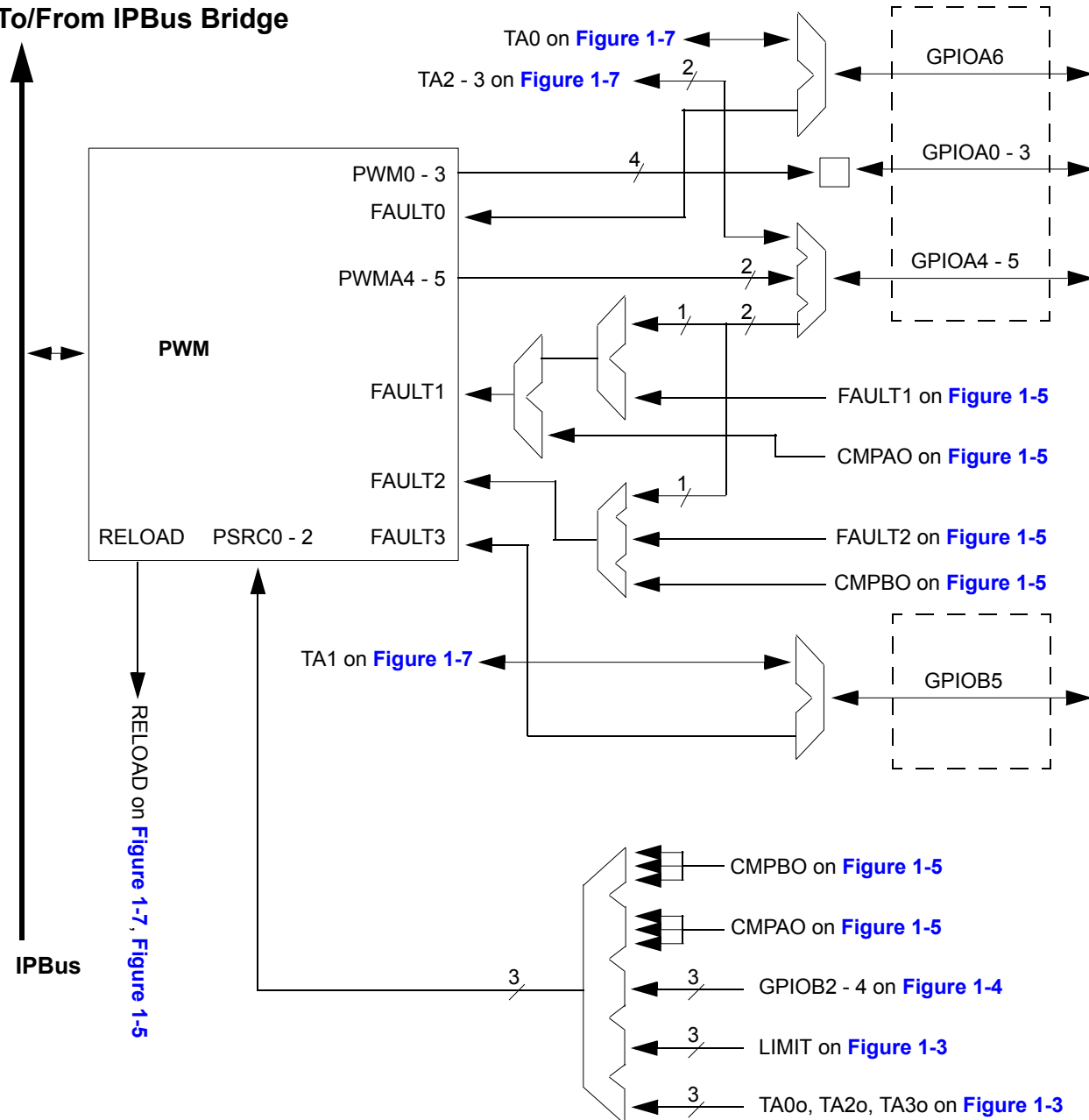
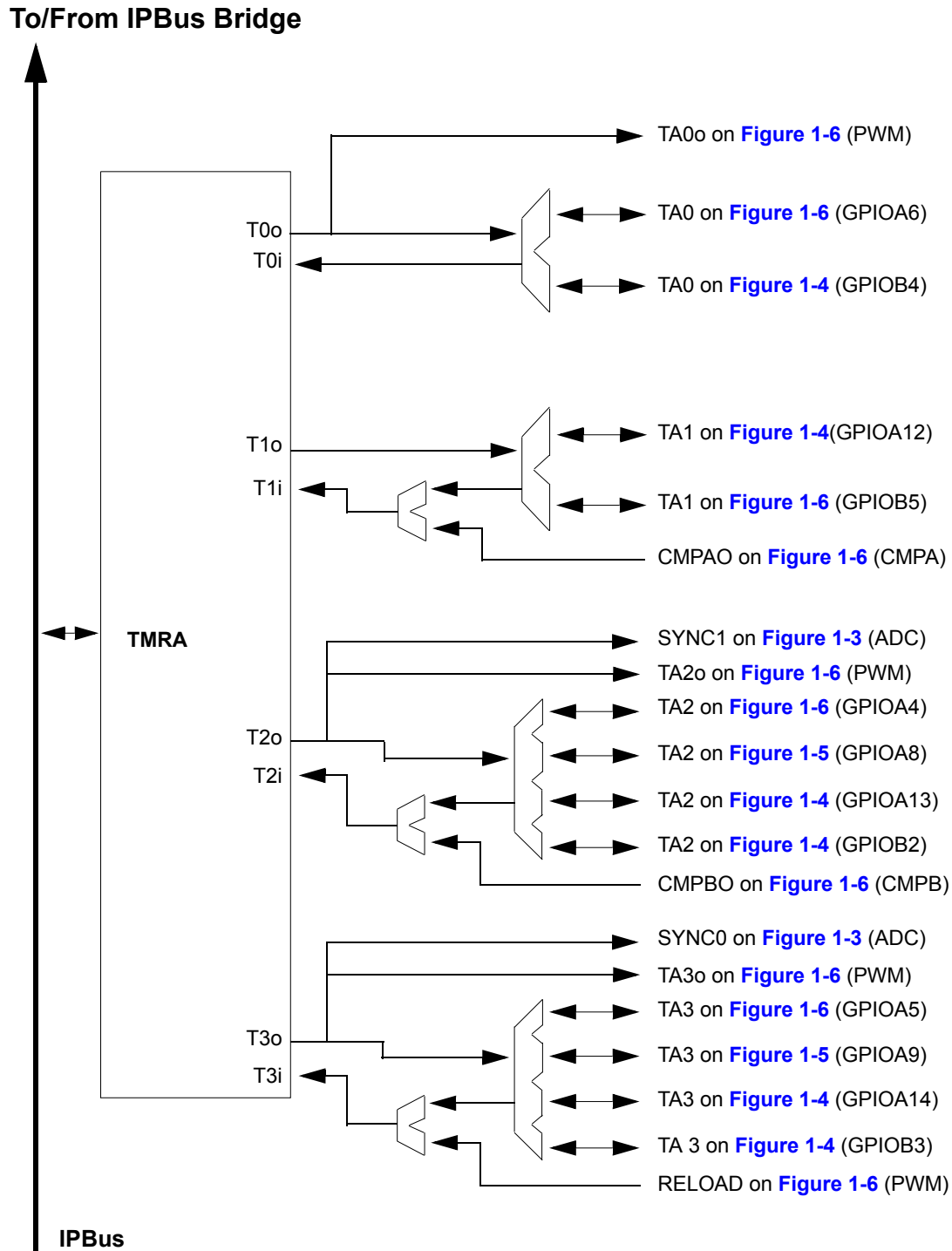


Figure 1-6 56F8037/56F8027 I/O Pin-Out Muxing (Part 4/5)





**Figure 1-7 56F8037/56F8027 I/O Pin-Out Muxing (Part 5/5)**

## 1.5 Product Documentation

The documents listed in [Table 1-2](#) are required for a complete description and proper design with the 56F8037/56F8027. Documentation is available from local Freescale distributors, Freescale Semiconductor sales offices, Freescale Literature Distribution Centers, or online at:

<http://www.freescale.com>

**Table 1-2 56F8037/56F8027 Chip Documentation**

Topic	Description	Order Number
DSP56800E Reference Manual	Detailed description of the 56800E family architecture, 16-bit Digital Signal Controller core processor, and the instruction set	DSP56800ERM
<b>56F802x and 56F803x Peripheral Reference Manual</b>	Detailed description of peripherals of the 56F802x and 56F803x family of devices	MC56F80xxRM
56F802x and 56F803x Serial Bootloader User Guide	Detailed description of the Serial Bootloader in the 56F802x and 56F803x family of devices	56F80xxBLUG
56F8037/56F8027 Technical Data Sheet	Electrical and timing specifications, pin descriptions, and package descriptions (this document)	MC56F8037/56F8027
56F8037/56F8027 Errata	Details any chip issues that might be present	MC56F8037/56F8027E

## 1.6 Data Sheet Conventions

This data sheet uses the following conventions:

$\overline{\text{OVERBAR}}$  This is used to indicate a signal that is active when pulled low. For example, the  $\overline{\text{RESET}}$  pin is active when low.

“asserted” A high true (active high) signal is high or a low true (active low) signal is low.

“deasserted” A high true (active high) signal is low or a low true (active low) signal is high.

Examples:	Signal/Symbol	Logic State	Signal State	Voltage <sup>1</sup>
	$\overline{\text{PIN}}$	True	Asserted	$V_{\text{IL}}/V_{\text{OL}}$
	$\overline{\text{PIN}}$	False	Deasserted	$V_{\text{IH}}/V_{\text{OH}}$
	PIN	True	Asserted	$V_{\text{IH}}/V_{\text{OH}}$
	PIN	False	Deasserted	$V_{\text{IL}}/V_{\text{OL}}$

1. Values for  $V_{\text{IL}}$ ,  $V_{\text{OL}}$ ,  $V_{\text{IH}}$ , and  $V_{\text{OH}}$  are defined by individual product specifications.

## Part 2 Signal/Connection Descriptions

### 2.1 Introduction

The input and output signals of the 56F8037/56F8027 are organized into functional groups, as detailed in [Table 2-1](#). [Table 2-2](#) summarizes all device pins. In [Table 2-2](#), each table row describes the signal or signals present on a pin, sorted by pin number.

**Table 2-1 Functional Group Pin Allocations**

Functional Group	Number of Pins
Power Inputs ( $V_{DD}$ , $V_{DDA}$ )	4
Ground ( $V_{SS}$ , $V_{SSA}$ )	5
Supply Capacitors	2
Reset <sup>1</sup>	1
Pulse Width Modulator (PWM) Ports <sup>1</sup>	13
Queued Serial Peripheral Interface 0 (QSPI0) Ports <sup>1</sup>	4
Queued Serial Peripheral Interface 1 (QSPI1) Ports <sup>1</sup>	4
Timer Module A (TMRA) Ports <sup>1</sup>	4
Timer Module B (TMRB) Ports <sup>1</sup>	4
Analog-to-Digital Converter (ADC) Ports <sup>1</sup>	16
Digital-to-Analog Converter (DAC) Ports <sup>1</sup>	2
Queued Serial Communications Interface 0 (QSCI0) Ports <sup>1</sup>	2
Queued Serial Communications Interface 1 (QSCI1) Ports <sup>1</sup>	2
Inter-Integrated Circuit Interface (I <sup>2</sup> C) Ports <sup>1</sup>	2
MSCAN Ports <sup>1</sup>	2
Oscillator Signals <sup>1</sup>	2
JTAG/Enhanced On-Chip Emulation (EOnCE) <sup>1</sup>	4

1. Pins may be shared with other peripherals. See [Table 2-2](#).

In **Table 2-2**, peripheral pins in bold identify reset state.

**Table 2-2 56F8037/56F8027 Pins**

			Peripherals:												
Pin #	Pin Name	Signal Name	GPIO	I2C	QSCI	QSPI	ADC	PWM	Quad Timer	DAC	Comp	MSCAN	Power & Ground	JTAG	Misc.
1	<b>GPIOB6</b>	GPIOB6, RXD0, SDA, CLKIN	<b>B6</b>	SDA	RXD0										CLKIN
2	<b>GPIOB1</b>	GPIOB1, $\overline{SS0}$ , SDA	<b>B1</b>	SDA		$\overline{SS0}$									
3	<b>GPIOB7</b>	GPIOB7, TXD0, SCL	<b>B7</b>	SCL	TXD0										
4	<b>GPIOB5</b>	GPIOB5, TA1, FAULT3, CLKIN	<b>B5</b>					FAULT3	TA1						CLKIN
5	<b>GPIOA9</b>	GPIOA9, FAULT2, TA3, CMPBI1	<b>A9</b>					FAULT2	TA3		CMPBI1				
6	<b>GPIOA11</b>	GPIOA11, TB3, CMPBI2	<b>A11</b>						TB3		CMPBI2				
7	<b>VDD</b>	V <sub>DD</sub>											V <sub>DD</sub>		
8	<b>VSS</b>	V <sub>SS</sub>											V <sub>SS</sub>		
9	<b>GPIOC12</b>	GPIOC12, ANB4, RXD1	<b>C12</b>		RXD1		ANB4								
10	<b>GPIOC4</b>	GPIOC4, ANB0, CMPBI3	<b>C4</b>				ANB0				CMPBI3				
11	<b>GPIOC5</b>	GPIOC5, ANB1	<b>C5</b>				ANB1								
12	<b>GPIOC13</b>	GPIOC13, ANB5	<b>C13</b>				ANB5								
13	<b>GPIOC6</b>	ANB2, V <sub>REFHB</sub>	<b>C6</b>				ANB2 V <sub>REFHB</sub>								
14	<b>GPIOC7</b>	GPIOC7, ANB3, V <sub>REFLB</sub>	<b>C7</b>				ANB3 V <sub>REFLB</sub>								
15	<b>GPIOD7</b>	GPIOD7, DAC1	<b>D7</b>							DAC1					
16	<b>VDDA</b>	V <sub>DDA</sub>											V <sub>DDA</sub>		
17	<b>VSSA</b>	V <sub>SSA</sub>											V <sub>SSA</sub>		
18	<b>GPIOD6</b>	GPIOD6, DAC0	<b>D6</b>							DAC0					
19	<b>GPIOC3</b>	GPIOC3, ANA3, V <sub>REFLA</sub>	<b>C3</b>				ANA3 V <sub>REFLA</sub>								
20	<b>GPIOC2</b>	GPIOC2, ANA2, V <sub>REFHA</sub>	<b>C2</b>				ANA2 V <sub>REFHA</sub>								
21	<b>GPIOC9</b>	GPIOC9, ANA5	<b>C9</b>				ANA5								
22	<b>GPIOC1</b>	GPIOC1, ANA1	<b>C1</b>				ANA1								
23	<b>GPIOC10</b>	GPIOC10, ANA6	<b>C10</b>				ANA6								
24	<b>GPIOC0</b>	GPIOC0, ANA0, CMPAI3	<b>C0</b>				ANA0				CMPAI3				
25	<b>GPIOC11</b>	GPIOC11, ANA7	<b>C11</b>				ANA7								
26	<b>GPIOC8</b>	GPIOC8, ANA4, TXD1	<b>C8</b>		TXD1		ANA4								
27	<b>VSS</b>	V <sub>SS</sub>											V <sub>SS</sub>		

**Table 2-2 56F8037/56F8027 Pins (Continued)**

			Peripherals:												
Pin #	Pin Name	Signal Name	GPIO	I2C	QSCI	QSPI	ADC	PWM	Quad Timer	DAC	Comp	MSCAN	Power & Ground	JTAG	Misc.
28	<b>VCAP</b>	V <sub>CAP</sub>											V <sub>CAP</sub>		
29	<b>TCK</b>	TCK, GPIOD2	D2											TCK	
30	<b>GPIOB10</b>	GPIOB10, CMPAO, TB0	<b>B10</b>						TB0		CMPAO				
31	<b>RESET</b>	RESET, GPIOA7	A7												RESET
32	<b>GPIOB3</b>	GPIOB3, MOSI0, TA3, PSRC1	<b>B3</b>			MOSI0		PSRC1	TA3						
33	<b>GPIOB2</b>	GPIOB2, MISO0, TA2, PSRC0	<b>B2</b>			MISO0		PSRC0	TA2						
34	<b>GPIOA6</b>	GPIOA6, FAULT0, TA0	<b>A6</b>					FAULT0	TA0						
35	<b>GPIOA10</b>	GPIOA10, TB2, CMPAI2	<b>A10</b>						TB2		CMPAI2				
36	<b>GPIOA8</b>	GPIOA8, FAULT1, TA2, CMPAI1	<b>A8</b>					FAULT1	TA2		CMPAI1				
37	<b>GPIOA12</b>	GPIOA12, TB1, SCLK1, TA1	<b>A12</b>			SCLK1			TB1 TA1						
38	<b>GPIOB4</b>	GPIOB4, SS1, TB0, TA0, PSRC2, CLKO	<b>B4</b>			SS1		PSRC2	TA0 TB0						CLKO
39	<b>GPIOA5</b>	GPIOA5, PWM5, TA3, FAULT2	<b>A5</b>					PWM5 FAULT2	TA3						
40	<b>VSS</b>	V <sub>SS</sub>											V <sub>SS</sub>		
41	<b>VDD</b>	V <sub>DD</sub>											V <sub>DD</sub>		
42	<b>GPIOB0</b>	GPIOB0, SCLK0, SCL	<b>B0</b>	SCL		SCLK0									
43	<b>GPIOA4</b>	GPIOA4, PWM4, TA2, FAULT1	<b>A4</b>					PWM4 FAULT1	TA2						
44	<b>GPIOA13</b>	GPIOA13, TB2, MISO1, TA2	<b>A13</b>			MISO1			TB2 TA2						
45	<b>GPIOA14</b>	GPIOA14, TB3, MOSI1, TA3	<b>A14</b>			MOSI1			TB3 TA3						
46	<b>GPIOB9</b>	GPIOB9, SDA, CANRX	<b>B9</b>	SDA								CANRX			
47	<b>GPIOA2</b>	GPIOA2, PWM2	<b>A2</b>					PWM2							
48	<b>GPIOA3</b>	GPIOA3, PWM3	<b>A3</b>					PWM3							
49	<b>VCAP</b>	V <sub>CAP</sub>											V <sub>CAP</sub>		
50	<b>VDD</b>	V <sub>DD</sub>											V <sub>DD</sub>		
51	<b>VSS</b>	V <sub>SS</sub>											V <sub>SS</sub>		
52	<b>GPIOD5</b>	GPIOD5, XTAL, CLKIN	<b>D5</b>												XTAL CLKIN
53	<b>GPIOD4</b>	GPIOD4, EXTAL	<b>D4</b>												EXTAL
54	<b>GPIOB8</b>	GPIOB8, SCL, CANTX	<b>B8</b>	SCL								CANTX			
55	<b>GPIOA1</b>	GPIOA1, PWM1	<b>A1</b>					PWM1							

**Table 2-2 56F8037/56F8027 Pins (Continued)**

			Peripherals:												
Pin #	Pin Name	Signal Name	GPIO	I2C	QSCI	QSPI	ADC	PWM	Quad Timer	DAC	Comp	MSCAN	Power & Ground	JTAG	Misc.
56	<b>GPIOA0</b>	GPIOA0, PWM0	<b>A0</b>					PWM0							
57	<b>GPIOB12</b>	GPIOB12, CANTX	<b>B12</b>									CANTX			
58	<b>GPIOB13</b>	GPIOB13, CANRX	<b>B13</b>									CANRX			
59	<b>TDI</b>	TDI, GPIOD0	D0											<b>TD1</b>	
60	<b>GPIOB11</b>	GPIOB11, CMPBO, TB1	<b>B11</b>						TB1		CMPBO				
61	<b>GPIOC15</b>	GPIOC15, ANB7	<b>C15</b>				ANB7								
62	<b>GPIOC14</b>	GPIOC14, ANB6	<b>C14</b>				ANB6								
63	<b>TMS</b>	TMS, GPIOD3	D3											<b>TMS</b>	
64	<b>TDO</b>	TDO, GPIOD1	D1											<b>TDO</b>	



## 2.2 56F8037/56F8027 Signal Pins

After reset, each pin is configured for its primary function (listed first). Any alternate functionality must be programmed.

**Table 2-3 56F8037/56F8027 Signal and Package Information for the 64-Pin LQFP**

Signal Name	LQFP Pin No.	Type	State During Reset	Signal Description
V <sub>DD</sub>	7	Supply	Supply	I/O Power — This pin supplies 3.3V power to the chip I/O interface.
V <sub>DD</sub>	41			
V <sub>DD</sub>	50			
V <sub>SS</sub>	8	Supply	Supply	V <sub>SS</sub> — These pins provide ground for chip logic and I/O drivers.
V <sub>SS</sub>	27			
V <sub>SS</sub>	40			
V <sub>SS</sub>	51			
V <sub>DDA</sub>	16	Supply	Supply	ADC Power — This pin supplies 3.3V power to the ADC modules. It must be connected to a clean analog power supply.
V <sub>SSA</sub>	17	Supply	Supply	ADC Analog Ground — This pin supplies an analog ground to the ADC modules.
V <sub>CAP</sub>	28	Supply	Supply	V <sub>CAP</sub> — Connect this pin to a 2.2μF or greater bypass capacitor in order to bypass the core voltage regulator, required for proper chip operation. See <a href="#">Section 10.2.1</a> .
V <sub>CAP</sub>	49			
$\overline{\text{RESET}}$  (GPIOA7)	31	Input  Input/Open Drain Output	Input, internal pull-up enabled	<p><b>Reset</b> — This input is a direct hardware reset on the processor. When <math>\overline{\text{RESET}}</math> is asserted low, the chip is initialized and placed in the reset state. A Schmitt trigger input is used for noise immunity. The internal reset signal will be deasserted synchronous with the internal clocks after a fixed number of internal clocks.</p> <p><b>Port A GPIO</b> — This GPIO pin can be individually programmed as an input or open drain output pin. Note that <math>\overline{\text{RESET}}</math> functionality is disabled in this mode and the chip can only be reset via POR, COP reset, or software reset.</p> <p>After reset, the default state is <math>\overline{\text{RESET}}</math>.</p>

Return to [Table 2-2](#)



**Table 2-3 56F8037/56F8027 Signal and Package Information for the 64-Pin LQFP (Continued)**

Signal Name	LQFP Pin No.	Type	State During Reset	Signal Description
<b>GPIOA0</b>  <b>(PWM0)</b>	56	Input/ Output  Output	Input, internal pull-up enabled	<b>Port A GPIO</b> — This GPIO pin can be individually programmed as an input or output pin.  <b>PWM0</b> — This is one of the six PWM output pins.  After reset, the default state is GPIOA0.
<b>GPIOA1</b>  <b>(PWM1)</b>	55	Input/ Output  Output	Input, internal pull-up enabled	<b>Port A GPIO</b> — This GPIO pin can be individually programmed as an input or output pin.  <b>PWM1</b> — This is one of the six PWM output pins.  After reset, the default state is GPIOA1.
<b>GPIOA2</b>  <b>(PWM2)</b>	47	Input/ Output  Output	Input, internal pull-up enabled	<b>Port A GPIO</b> — This GPIO pin can be individually programmed as an input or output pin.  <b>PWM2</b> — This is one of the six PWM output pins.  After reset, the default state is GPIOA2.
<b>GPIOA3</b>  <b>(PWM3)</b>	48	Input/ Output  Output	Input, internal pull-up enabled	<b>Port A GPIO</b> — This GPIO pin can be individually programmed as an input or output pin.  <b>PWM3</b> — This is one of the six PWM output pins.  After reset, the default state is GPIOA3.

Return to [Table 2-2](#)

**Table 2-3 56F8037/56F8027 Signal and Package Information for the 64-Pin LQFP (Continued)**

Signal Name	LQFP Pin No.	Type	State During Reset	Signal Description
<b>GPIOA4</b>  <b>(PWM4)</b>  <b>(TA2<sup>1</sup>)</b>  <b>(FAULT1<sup>2</sup>)</b>	43	Input/ Output  Output  Input/ Output  Input	Input, internal pull-up enabled	<p><b>Port A GPIO</b> — This GPIO pin can be individually programmed as an input or output pin.</p> <p><b>PWM4</b> — This is one of the six PWM output pins.</p> <p><b>TA2</b> — Timer A, Channel 2</p> <p><b>Fault1</b> — This fault input pin is used for disabling selected PWM outputs in cases where fault conditions originate off-chip.</p> <p>After reset, the default state is GPIOA4. The peripheral functionality is controlled via the SIM. See <a href="#">Section 6.3.16</a>.</p>
<p><sup>1</sup>The TA2 signal is also brought out on the GPIOA8-9, GPIOA13-14 and GPIOB2-3 pins.  <sup>2</sup>The Fault1 signal is also brought out on the GPIOA8-9, GPIOB4 and GPIOB10 pins.</p>				
<b>GPIOA5</b>  <b>(PWM5)</b>  <b>(TA3<sup>3</sup>)</b>  <b>(FAULT2<sup>4</sup>)</b>	39	Input/ Output  Output  Input/ Output  Input	Input, internal pull-up enabled	<p><b>Port A GPIO</b> — This GPIO pin can be individually programmed as an input or output pin.</p> <p><b>PWM5</b> — This is one of the six PWM output pins.</p> <p><b>TA3</b> — Timer A, Channel 3</p> <p><b>Fault2</b> — This fault input pin is used for disabling selected PWM outputs in cases where fault conditions originate off-chip.</p> <p>After reset, the default state is GPIOA5. The peripheral functionality is controlled via the SIM. See <a href="#">Section 6.3.16</a>.</p>
<p><sup>3</sup>The TA3 signal is also brought out on the GPIOA8-9, GPIOA13-14 and GPIOB2-3 pins.  <sup>4</sup>The Fault2 signal is also brought out on the GPIOA8-9, GPIOB4 and GPIOB10 pins.</p>				

Return to [Table 2-2](#)

**Table 2-3 56F8037/56F8027 Signal and Package Information for the 64-Pin LQFP (Continued)**

Signal Name	LQFP Pin No.	Type	State During Reset	Signal Description
<b>GPIOA6</b>  <b>(FAULT0)</b>  <b>(TA0<sup>5</sup>)</b>	34	Input/ Output  Input	Input, internal pull-up enabled	<p><b>Port A GPIO</b> — This GPIO pin can be individually programmed as an input or output pin.</p> <p><b>Fault0</b> — This fault input pin is used for disabling selected PWM outputs in cases where fault conditions originate off-chip.</p> <p><b>TA0</b> — Timer A, Channel 0.</p> <p>After reset, the default state is GPIOA6. The peripheral functionality is controlled via the SIM. See <a href="#">Section 6.3.16</a>.</p>
<sup>5</sup> The TA0 signal is also brought out on the GPIOB4 pin.				
<b>GPIOA8</b>  <b>(FAULT1)</b>  <b>(TA2)</b>  <b>(CMPAI1)</b>	36	Input/ Output  Input  Input/ Output  Input	Input, internal pull-up enabled	<p><b>Port A GPIO</b> — This GPIO pin can be individually programmed as an input or output pin.</p> <p><b>Fault1</b> — This fault input pin is used for disabling selected PWM outputs in cases where fault conditions originate off-chip.</p> <p><b>TA2</b> — Timer A, Channel 2.</p> <p><b>Comparator A, Input 1</b> — This is an analog input to Comparator A.</p> <p>After reset, the default state is GPIOA8. The peripheral functionality is controlled via the SIM. See <a href="#">Section 6.3.16</a>.</p>
<b>GPIOA9</b>  <b>(FAULT2)</b>  <b>(TA3)</b>  <b>(CMPBI1)</b>	5	Input/ Output  Input  Input/ Output  Input	Input, internal pull-up enabled	<p><b>Port A GPIO</b> — This GPIO pin can be individually programmed as an input or output pin.</p> <p><b>Fault2</b> — This fault input pin is used for disabling selected PWM outputs in cases where fault conditions originate off-chip.</p> <p><b>TA2</b> — Timer A, Channel 3.</p> <p><b>Comparator B, Input 1</b> — This is an analog input to Comparator B.</p> <p>After reset, the default state is GPIOA9. The peripheral functionality is controlled via the SIM. See <a href="#">Section 6.3.16</a>.</p>

 Return to [Table 2-2](#)

**Table 2-3 56F8037/56F8027 Signal and Package Information for the 64-Pin LQFP (Continued)**

Signal Name	LQFP Pin No.	Type	State During Reset	Signal Description
<b>GPIOA10</b>  <b>(TB2<sup>6</sup>)</b>  <b>(CMPAI2)</b>	35	Input/ Output  Input/ Output  Input	Input, internal pull-up enabled	<b>Port A GPIO</b> — This GPIO pin can be individually programmed as an input or output pin.  <b>TB2</b> — Timer B, Channel 2.  <b>Comparator A, Input 2</b> — This is an analog input to Comparator A.  After reset, the default state is GPIOA10. The peripheral functionality is controlled via the SIM. See <a href="#">Section 6.3.16</a> .
<sup>6</sup> The TB2 signal is also brought out on the GPIOA13 pin.				
<b>GPIOA11</b>  <b>(TB3<sup>7</sup>)</b>  <b>(CMPBI2)</b>	6	Input/ Output  Input/ Output  Input	Input, internal pull-up enabled	<b>Port A GPIO</b> — This GPIO pin can be individually programmed as an input or output pin.  <b>TB3</b> — Timer B, Channel 3.  <b>Comparator B, Input 2</b> — This is an analog input to Comparator B.  After reset, the default state is GPIOA11. The peripheral functionality is controlled via the SIM. See <a href="#">Section 6.3.16</a> .
<sup>7</sup> The TB3 signal is also brought out on the GPIOA14 pin.				
<b>GPIOA12</b>  <b>(SCLK1)</b>  <b>(TB1<sup>8</sup>)</b>  <b>(TA1<sup>9</sup>)</b>	37	Input/ Output  Input/ Output  Input/ Output	Input, internal pull-up enabled	<b>Port A GPIO</b> — This GPIO pin can be individually programmed as an input or output pin.  <b>QSPI1 Serial Clock</b> — In the master mode, this pin serves as an output, clocking slaved listeners. In slave mode, this pin serves as the data clock input. A Schmitt trigger input is used for noise immunity.  <b>TB1</b> — Timer B, Channel 1.  <b>TA1</b> — Timer A, Channel 1.  After reset, the default state is GPIOA12. The peripheral functionality is controlled via the SIM. See <a href="#">Section 6.3.16</a> .
<sup>8</sup> The TB1 signal is also brought out on the GPIOB11 pin. <sup>9</sup> The TA1 signal is also brought out on the GPIOB5 pin.				

Return to [Table 2-2](#)

**Table 2-3 56F8037/56F8027 Signal and Package Information for the 64-Pin LQFP (Continued)**

Signal Name	LQFP Pin No.	Type	State During Reset	Signal Description
<b>GPIOA13</b>  <b>(MISO1)</b>  <b>(TB2<sup>10</sup>)</b>  <b>(TA2<sup>11</sup>)</b>	44	Input/ Output  Input/ Output  Input/ Output  Input/ Output	Input, internal pull-up enabled	<p><b>Port A GPIO</b> — This GPIO pin can be individually programmed as an input or output pin.</p> <p><b>QSPI1 Master In/Slave Out</b>— This serial data pin is an input to a master device and an output from a slave device. The MISO line of a slave device is placed in the high-impedance state if the slave device is not selected. The slave device places data on the MISO line a half-cycle before the clock edge the master devices uses to latch the data.</p> <p><b>TB2</b> — Timer B, Channel 2.</p> <p><b>TA2</b> — Timer A, Channel 2.</p> <p>After reset, the default state is GPIOA13. The peripheral functionality is controlled via the SIM. See <a href="#">Section 6.3.16</a>.</p>
<p><sup>10</sup>The TB2 signal is also brought out on the GPIOA10 pin.</p> <p><sup>11</sup>The TA2 signal is also brought out on the GPIOA4, GPIOA8 and GPIOB2 pins.</p>				
<b>GPIOA14</b>  <b>(MOSI1)</b>  <b>(TB3<sup>12</sup>)</b>  <b>(TA3<sup>13</sup>)</b>	45	Input/ Output  Input/ Output  Input/ Output	Input, internal pull-up enabled	<p><b>Port A GPIO</b> — This GPIO pin can be individually programmed as an input or output pin.</p> <p><b>QSPI1 MasterOut/Slave In</b> — This serial data pin is an output from a master device and an input to a slave device. The master device places data on the MOSI line a half-cycle before the clock edge the slave devices uses to latch the data.</p> <p><b>TB3</b> — Timer B, Channel 3.</p> <p><b>TA3</b> — Timer A, Channel 3.</p> <p>After reset, the default state is GPIOA14. The peripheral functionality is controlled via the SIM. See <a href="#">Section 6.3.16</a>.</p>
<p><sup>12</sup>The TB3 signal is also brought out on the GPIOA11 pin.</p> <p><sup>13</sup>The TA3 signal is also brought out on the GPIOA5, GPIOA9, and GPIOB3 pins.</p>				

 Return to [Table 2-2](#)

**Table 2-3 56F8037/56F8027 Signal and Package Information for the 64-Pin LQFP (Continued)**

Signal Name	LQFP Pin No.	Type	State During Reset	Signal Description
<b>GPIOB0</b>  <b>(SCLK0)</b>  <b>(SCL<sup>14</sup>)</b>	42	Input/ Output  Input/ Output  Input/ Output	Input, internal pull-up enabled	<p><b>Port B GPIO</b> — This GPIO pin can be individually programmed as an input or output pin.</p> <p><b>QSPI0 Serial Clock</b> — In the master mode, this pin serves as an output, clocking slaved listeners. In slave mode, this pin serves as the data clock input. A Schmitt trigger input is used for noise immunity.</p> <p><b>Serial Clock</b> — This pin serves as the I<sup>2</sup>C serial clock.</p> <p>After reset, the default state is GPIOB0. The peripheral functionality is controlled via the SIM. See <a href="#">Section 6.3.16</a>.</p>
<sup>14</sup> The SCL signal is also brought out on the GPIOB7 and GPIOB8 pins.				
<b>GPIOB1</b>  <b>(<math>\overline{SS0}</math>)</b>  <b>(SDA<sup>15</sup>)</b>	2	Input/ Output  Input/ Output  Input	Input, internal pull-up enabled	<p><b>Port B GPIO</b> — This GPIO pin can be individually programmed as an input or output pin.</p> <p><b>QSPI0 Slave Select</b> — <math>\overline{SS}</math> is used in slave mode to indicate to the QSPI0 module that the current transfer is to be received.</p> <p><b>Serial Data</b> — This pin serves as the I<sup>2</sup>C serial data line.</p> <p>After reset, the default state is GPIOB1. The peripheral functionality is controlled via the SIM. See <a href="#">Section 6.3.16</a>.</p>
<sup>15</sup> The SDA signal is also brought out on the GPIOB6 and GPIOB9 pins.				

Return to [Table 2-2](#)

**Table 2-3 56F8037/56F8027 Signal and Package Information for the 64-Pin LQFP (Continued)**

Signal Name	LQFP Pin No.	Type	State During Reset	Signal Description
<b>GPIOB2</b>  <b>(MISO0)</b>  <b>(TA2<sup>16</sup>)</b>  <b>(PSRC0)</b>	33	Input/ Output  Input/ Output  Input/ Output  Input	Input, internal pull-up enabled	<p><b>Port B GPIO</b> — This GPIO pin can be individually programmed as an input or output pin.</p> <p><b>QSPI0 Master In/Slave Out</b> — This serial data pin is an input to a master device and an output from a slave device. The MISO line of a slave device is placed in the high-impedance state if the slave device is not selected. The slave device places data on the MISO line a half-cycle before the clock edge the master device uses to latch the data.</p> <p><b>TA2</b> — Timer A, Channel 2</p> <p><b>PSRC0</b> — External PWM signal source input for the complementary PWM4/PWM5 pair.</p> <p>After reset, the default state is GPIOB2. The peripheral functionality is controlled via the SIM. See <a href="#">Section 6.3.16</a>.</p>
<sup>16</sup> The TA2 signal is also brought out on the GPIOA4, GPIOA8 and GPIOA13 pins.				
<b>GPIOB3</b>  <b>(MOSI0)</b>  <b>(TA3<sup>17</sup>)</b>  <b>(PSRC1)</b>	32	Input/ Output  Input/ Output  Input/ Output  Input	Input, internal pull-up enabled	<p><b>Port B GPIO</b> — This GPIO pin can be individually programmed as an input or output pin.</p> <p><b>QSPI0 Master Out/Slave In</b>— This serial data pin is an output from a master device and an input to a slave device. The master device places data on the MOSI line a half-cycle before the clock edge the slave device uses to latch the data.</p> <p><b>TA3</b> — Timer A, Channel 3</p> <p><b>PSRC1</b> — External PWM signal source input for the complementary PWM2/PWM3 pair.</p> <p>After reset, the default state is GPIOB3. The peripheral functionality is controlled via the SIM. See <a href="#">Section 6.3.16</a>.</p>
<sup>17</sup> The TA3 signal is also brought out on the GPIOA5, GPIOA9 and GPIOA14 pins.				

 Return to [Table 2-2](#)

**Table 2-3 56F8037/56F8027 Signal and Package Information for the 64-Pin LQFP (Continued)**

Signal Name	LQFP Pin No.	Type	State During Reset	Signal Description
<b>GPIOB4</b>  $\overline{\text{(SS1)}}$  <b>(TB0<sup>18</sup>)</b>  <b>(TA0<sup>19</sup>)</b>  <b>(PSRC2)</b>  <b>(CLKO)</b>	38	Input/ Output  Input/ Output  Input/ Output  Input  Output	Input, internal pull-up enabled	<p><b>Port B GPIO</b> — This GPIO pin can be individually programmed as an input or output pin.</p> <p><b>QSPI1 Slave Select</b> — This is used in slave mode to indicate to the QSPI1 module that the current transfer is to be received.</p> <p><b>TB0</b> — Timer B, Channel 0</p> <p><b>TA0</b> — Timer A, Channel 0</p> <p><b>PSRC2</b> — External PWM signal source input for the complementary PWM0/PWM1 pair.</p> <p><b>Clock Output</b> — This is a buffered clock output; the clock source is selected by Clockout Select (CLKOSEL) bits in the Clock Output Select Register (CLKOUT). See <a href="#">Section 6.3.7</a>.</p> <p>After reset, the default state is GPIOB4. The peripheral functionality is controlled via the SIM. See <a href="#">Section 6.3.16</a>.</p>
<p><sup>18</sup>The TB0 signal is also brought out on the GPIOB4 and GPIOB10 pins.</p> <p><sup>19</sup>The TA0 signal is also brought out on the GPIOB4 and GPIOA6 pins.</p>				
<b>GPIOB5</b>  <b>(TA1<sup>20</sup>)</b>  <b>(FAULT3)</b>  <b>(CLKIN)</b>	4	Input/ Output  Input/ Output  Input  Input	Input, internal pull-up enabled	<p><b>Port B GPIO</b> — This GPIO pin can be individually programmed as an input or output pin.</p> <p><b>TA1</b> — Timer A, Channel 1</p> <p><b>FAULT3</b> — This fault input pin is used for disabling selected PWM outputs in cases where fault conditions originate off-chip.</p> <p><b>External Clock Input</b>— This pin serves as an external clock input.</p> <p>After reset, the default state is GPIOB5. The peripheral functionality is controlled via the SIM. See <a href="#">Section 6.3.16</a>.</p>
<p><sup>20</sup>The TA1 signal is also brought out on the GPIOA12 pin.</p>				

Return to [Table 2-2](#)



**Table 2-3 56F8037/56F8027 Signal and Package Information for the 64-Pin LQFP (Continued)**

Signal Name	LQFP Pin No.	Type	State During Reset	Signal Description
<b>GPIOB6</b>  <b>(RXD0)</b>  <b>(SDA<sup>21</sup>)</b>  <b>(CLKIN)</b>	1	Input/ Output  Input  Input/ Output  Input	Input, internal pull-up enabled	<p><b>Port B GPIO</b> — This GPIO pin can be individually programmed as an input or output pin.</p> <p><b>Receive Data 0</b> — QSCI0 receive data input.</p> <p><b>Serial Data</b> — This pin serves as the I<sup>2</sup>C serial data line.</p> <p><b>External Clock Input</b> — This pin serves as an optional external clock input.</p> <p>After reset, the default state is GPIOB6. The peripheral functionality is controlled via the SIM (See <a href="#">Section 6.3.16</a>) and the CLKMODE bit of the OCCS Oscillator Control Register.</p>
<sup>21</sup> The SDA signal is also brought out on the GPIOB1 and GPIOB9 pins.				
<b>GPIOB7</b>  <b>(TXD0)</b>  <b>(SCL<sup>22</sup>)</b>	3	Input/ Output  Input/ Output  Input/ Output	Input, internal pull-up enabled	<p><b>Port B GPIO</b> — This GPIO pin can be individually programmed as an input or output pin.</p> <p><b>Transmit Data 0</b> — QSCI0 transmit data output or transmit / receive in single wire operation.</p> <p><b>Serial Clock</b> — This pin serves as the I<sup>2</sup>C serial clock.</p> <p>After reset, the default state is GPIOB7. The peripheral functionality is controlled via the SIM. See <a href="#">Section 6.3.16</a>.</p>
<sup>22</sup> The SCL signal is also brought out on the GPIOB0 and GPIOB8 pins.				
<b>GPIOB8</b>  <b>(SCL<sup>23</sup>)</b>  <b>(CANTX<sup>24</sup>)</b>	54	Input/ Output  Input/ Output  Open Drain Output	Input, internal pull-up enabled	<p><b>Port B GPIO</b> — This GPIO pin can be individually programmed as an input or output pin.</p> <p><b>Serial Clock 1</b> — This pin serves as the I<sup>2</sup>C serial clock.</p> <p><b>CAN Transmit Data</b> — This is the SCAN interface output.</p> <p>After reset, the default state is GPIOB8. The peripheral functionality is controlled via the SIM. See <a href="#">Section 6.3.16</a>.</p>
<sup>23</sup> The SCL signal is also brought out on the GPIOB0 and GPIOB7 pins. <sup>24</sup> The CANTX signal is also brought out on the GPIOB12 pin.				

Return to [Table 2-2](#)

**Table 2-3 56F8037/56F8027 Signal and Package Information for the 64-Pin LQFP (Continued)**

Signal Name	LQFP Pin No.	Type	State During Reset	Signal Description
<b>GPIOB9</b>  <b>(SDA<sup>25</sup>)</b>  <b>(CANRX<sup>26</sup>)</b>	46	Input/ Output  Input/ Output  Input	Input, internal pull-up enabled	<b>Port B GPIO</b> — This GPIO pin can be individually programmed as an input or output pin.  <b>Serial Data 1</b> — This pin serves as the I <sup>2</sup> C serial data line.  <b>CAN Receive Data</b> — This is the MSCAN interface input.  After reset, the default state is GPIOB9. The peripheral functionality is controlled via the SIM. See <a href="#">Section 6.3.16</a> .
<sup>25</sup> The SDA signal is also brought out on the GPIOB1 and GPIOB6 pins. <sup>26</sup> The CANRX signal is also brought out on the GPIOB13 pin.				
<b>GPIOB10</b>  <b>(TB0<sup>27</sup>)</b>  <b>(CMPAO)</b>	30	Input/ Output  Input/ Output  Output	Input, internal pull-up enabled	<b>Port B GPIO</b> — This GPIO pin can be individually programmed as an input or output pin.  <b>TB0</b> — Timer B, Channel 0.  <b>Comparator A Output</b> — This is the output of comparator A.  After reset, the default state is GPIOB10. The peripheral functionality is controlled via the SIM. See <a href="#">Section 6.3.16</a> .
<sup>27</sup> The TB0 signal is also brought out on the GPIOB4 pin.				
<b>GPIOB11</b>  <b>(TB1<sup>28</sup>)</b>  <b>(CMPBO)</b>	60	Input/ Output  Input/ Output  Output	Input, internal pull-up enabled	<b>Port B GPIO</b> — This GPIO pin can be individually programmed as an input or output pin.  <b>TB1</b> — Timer B, Channel 1.  <b>Comparator B Output</b> — This is the output of comparator B.  After reset, the default state is GPIOB11. The peripheral functionality is controlled via the SIM. See <a href="#">Section 6.3.16</a> .
<sup>28</sup> The TB1 signal is also brought out on the GPIOA12 pin.				

Return to [Table 2-2](#)

**Table 2-3 56F8037/56F8027 Signal and Package Information for the 64-Pin LQFP (Continued)**

Signal Name	LQFP Pin No.	Type	State During Reset	Signal Description
<b>GPIOB12</b>  (CANTX <sup>29</sup> )	57	Input/ Output  Open Drain Output	Input	<b>Port B GPIO</b> — This GPIO pin can be individually programmed as an input or output pin.  <b>CAN Transmit Data</b> — This is the MSCAN interface output.  After reset, the default state is GPIOB12.
<sup>29</sup> The CANTX signal is also brought out on the GPIOB8 pin.				
<b>GPIOB13</b>  (CANRX <sup>30</sup> )	58	Input/ Output  Input	Input	<b>Port B GPIO</b> — This GPIO pin can be individually programmed as an input or output pin.  <b>CAN Receive Data</b> — This is the MSCAN interface input.  After reset, the default state is GPIOB13.
<sup>30</sup> The CANRX signal is also brought out on the GPIOB9 pin.				
<b>GPIOC0</b>  (ANA0 & CMPAI3)	24	Input/ Output  Analog Input	Input	<b>Port C GPIO</b> — This GPIO pin can be individually programmed as an input or output pin.  <b>ANA0</b> — Analog input to ADC A, Channel 0.  <b>Comparator A, Input 3</b> — This is an analog input to Comparator A.  When used as an analog input, the signal goes to both ANA0 and CMPAI3.  After reset, the default state is GPIOC0.
<b>GPIOC1</b>  (ANA1)	22	Input/ Output  Analog Input	Input	<b>Port C GPIO</b> — This GPIO pin can be individually programmed as an input or output pin.  <b>ANA1</b> — Analog input to ADC A, Channel 1.  After reset, the default state is GPIOC1.
<b>GPIOC2</b>  (ANA2)  (V <sub>REFHA</sub> )	20	Input/ Output  Analog Input  Analog Input	Input	<b>Port C GPIO</b> — This GPIO pin can be individually programmed as an input or output pin.  <b>ANA2</b> — Analog input to ADC A, Channel 2.  <b>V<sub>REFHA</sub></b> — Analog reference voltage high (ADC A).  After reset, the default state is GPIOC2.

Return to [Table 2-2](#)

**Table 2-3 56F8037/56F8027 Signal and Package Information for the 64-Pin LQFP (Continued)**

Signal Name	LQFP Pin No.	Type	State During Reset	Signal Description
<b>GPIOC3</b>  <b>(ANA3)</b>  <b>(V<sub>REFLA</sub>)</b>	19	Input/ Output  Analog Input  Analog Input	Input	<b>Port C GPIO</b> — This GPIO pin can be individually programmed as an input or output pin.  <b>ANA3</b> — Analog input to ADC A, Channel 3.  <b>V<sub>REFLA</sub></b> — Analog reference voltage low. (ADC A).  After reset, the default state is GPIOC3.
<b>GPIOC4</b>  <b>(ANB0 &amp; CMPB13)</b>	10	Input/ Output  Analog Input  Analog Input	Input	<b>Port C GPIO</b> — This GPIO pin can be individually programmed as an input or output pin.  <b>ANB0</b> — Analog input to ADC B, Channel 0.  <b>Comparator B, Input 3</b> — This is an analog input to Comparator B.  When used as an analog input, the signal goes to both ANB0 and CMPB13.  After reset, the default state is GPIOC4.
<b>GPIOC5</b>  <b>(ANB1)</b>	11	Input/ Output  Analog Input	Input	<b>Port C GPIO</b> — This GPIO pin can be individually programmed as an input or output pin.  <b>ANB1</b> — Analog input to ADC B, Channel 1.  After reset, the default state is GPIOC5.
<b>GPIOC6</b>  <b>(ANB2)</b>  <b>(V<sub>REFHB</sub>)</b>	13	Input/ Output  Analog Input  Input	Input	<b>Port C GPIO</b> — This GPIO pin can be individually programmed as an input or output pin.  <b>ANB2</b> — Analog input to ADC B, Channel 2.  <b>V<sub>REFHB</sub></b> — Analog reference voltage high (ADC B).  After reset, the default state is GPIOC6.

Return to [Table 2-2](#)

**Table 2-3 56F8037/56F8027 Signal and Package Information for the 64-Pin LQFP (Continued)**

Signal Name	LQFP Pin No.	Type	State During Reset	Signal Description
<b>GPIOC7</b>  <b>(ANB3)</b>  <b>(V<sub>REFLB</sub>)</b>	14	Input/ Output  Analog Input  Input	Input	<b>Port C GPIO</b> — This GPIO pin can be individually programmed as an input or output pin.  <b>ANB3</b> — Analog input to ADC B, Channel 3.  <b>V<sub>REFLB</sub></b> — Analog reference voltage low (ADC B).  After reset, the default state is GPIOC7.
<b>GPIOC8</b>  <b>(ANA4)</b>  <b>(TXD1)</b>	26	Input/ Output  Analog Input  Input/ Output	Input	<b>Port C GPIO</b> — This GPIO pin can be individually programmed as an input or output pin.  <b>ANA4</b> — Analog input to ADC A, Channel 4.  <b>Transmit Data 1</b> — SCI1 transmit data output.  After reset, the default state is GPIOC8.
<b>GPIOC9</b>  <b>(ANA5)</b>	21	Input/ Output  Analog Input	Input	<b>Port C GPIO</b> — This GPIO pin can be individually programmed as an input or output pin.  <b>ANA5</b> — Analog input to ADC A, Channel 5.  After reset, the default state is GPIOC9.
<b>GPIOC10</b>  <b>(ANA6)</b>	23	Input/ Output  Analog Input	Input	<b>Port C GPIO</b> — This GPIO pin can be individually programmed as an input or output pin.  <b>ANA6</b> — Analog input to ADC A, Channel 6.  After reset, the default state is GPIOC10.
<b>GPIOC11</b>  <b>(ANA7)</b>	25	Input/ Output  Analog Input	Input	<b>Port C GPIO</b> — This GPIO pin can be individually programmed as an input or output pin.  <b>ANA7</b> — Analog input to ADC A, Channel 7.  After reset, the default state is GPIOC11.

Return to [Table 2-2](#)

**Table 2-3 56F8037/56F8027 Signal and Package Information for the 64-Pin LQFP (Continued)**

Signal Name	LQFP Pin No.	Type	State During Reset	Signal Description
<b>GPIOC12</b>  (ANB4)  (RXD1)	9	Input/ Output  Analog Input  Input	Input	<b>Port C GPIO</b> — This GPIO pin can be individually programmed as an input or output pin.  <b>ANB4</b> — Analog input to ADC B, Channel 4.  <b>Receive Data 1</b> — SCI1 receive data input.  After reset, the default state is GPIOC12.
<b>GPIOC13</b>  (ANB5)	12	Input/ Output  Analog Input	Input	<b>Port C GPIO</b> — This GPIO pin can be individually programmed as an input or output pin.  <b>ANB5</b> — Analog input to ADC B, Channel 5.  After reset, the default state is GPIOC13.
<b>GPIOC14</b>  (ANB6)	62	Input/ Output  Analog Input	Input	<b>Port C GPIO</b> — This GPIO pin can be individually programmed as an input or output pin.  <b>ANB6</b> — Analog input to ADC B, Channel 6.  After reset, the default state is GPIOC14.
<b>GPIOC15</b>  (ANB7)	61	Input/ Output  Analog Input	Input	<b>Port C GPIO</b> — This GPIO pin can be individually programmed as an input or output pin.  <b>ANB7</b> — Analog input to ADC B, Channel 7.  After reset, the default state is GPIOC15.
<b>GPIOD4</b>  (EXTAL)	53	Input/ Output  Analog Input	Input	<b>Port D GPIO</b> — This GPIO pin can be individually programmed as an input or output pin.  <b>External Crystal Oscillator Input</b> — This input can be connected to an 8MHz external crystal. Tie this pin low if XTAL is being driven by an external clock source.  After reset, the default state is GPIOD4.

Return to [Table 2-2](#)

**Table 2-3 56F8037/56F8027 Signal and Package Information for the 64-Pin LQFP (Continued)**

Signal Name	LQFP Pin No.	Type	State During Reset	Signal Description
<b>GPIOD5</b>  (XTAL)  (CLKIN)	52	Input/ Output  Analog Input/ Output  Input	Input	<p><b>Port D GPIO</b> — This GPIO pin can be individually programmed as an input or output pin.</p> <p><b>External Crystal Oscillator Output</b> — This output connects the internal crystal oscillator output to an external crystal.</p> <p><b>External Clock Input</b> — This pin serves as an external clock input.</p> <p>After reset, the default state is GPIOD5.</p>
<b>GPIOD6</b>  (DAC0)	18	Input/ Output  Analog Input	Input, internal pull-up enabled	<p><b>Port D GPIO</b> — This GPIO pin can be individually programmed as an input or output pin.</p> <p><b>DAC0</b>— Digital-to-Analog Converter output 0.</p> <p>After reset, the default state is GPIOD6.</p>
<b>GPIOD7</b>  (DAC1)	15	Input/ Output  Analog Input	Input, internal pull-up enabled	<p><b>Port D GPIO</b> — This GPIO pin can be individually programmed as an input or output pin.</p> <p><b>DAC1</b>— Digital-to-Analog Converter output 1.</p> <p>After reset, the default state is GPIOD7.</p>
<b>TDI</b>  (GPIOD0)	59	Input  Input/ Output	Input, internal pull-up enabled	<p><b>Test Data Input</b> — This input pin provides a serial input data stream to the JTAG/EOnCE port. It is sampled on the rising edge of TCK and has an on-chip pull-up resistor.</p> <p><b>Port D GPIO</b> — This GPIO pin can be individually programmed as an input or output pin.</p> <p>After reset, the default state is TDI.</p>
<b>TDO</b>  (GPIOD1)	64	Output  Input/ Output	Output tri-stated, internal pull-up enabled	<p><b>Test Data Output</b> — This tri-stateable output pin provides a serial output data stream from the JTAG/EOnCE port. It is driven in the shift-IR and shift-DR controller states, and changes on the falling edge of TCK.</p> <p><b>Port D GPIO</b> — This GPIO pin can be individually programmed as an input or output pin.</p> <p>After reset, the default state is TDO.</p>

Return to [Table 2-2](#)

**Table 2-3 56F8037/56F8027 Signal and Package Information for the 64-Pin LQFP (Continued)**

Signal Name	LQFP Pin No.	Type	State During Reset	Signal Description
TCK  (GPIOD2)	29	Input  Input/ Output	Input, internal pull-up enabled	<p><b>Test Clock Input</b> — This input pin provides a gated clock to synchronize the test logic and shift serial data to the JTAG/EOnCE port. The pin is connected internally to a pull-up resistor. A Schmitt trigger input is used for noise immunity.</p> <p><b>Port D GPIO</b> — This GPIO pin can be individually programmed as an input or output pin.</p> <p>After reset, the default state is TCK.</p>
TMS  (GPIOD3)	63	Input  Input/ Output	Input, internal pull-up enabled	<p><b>Test Mode Select Input</b> — This input pin is used to sequence the JTAG TAP controller's state machine. It is sampled on the rising edge of TCK and has an on-chip pull-up resistor.</p> <p><b>Port D GPIO</b> — This GPIO pin can be individually programmed as an input or output pin.</p> <p>After reset, the default state is TMS.</p> <p><b>Note:</b> Always tie the TMS pin to <math>V_{DD}</math> through a 2.2K resistor.</p>

Return to [Table 2-2](#)

## Part 3 OCCS

### 3.1 Overview

The On-Chip Clock Synthesis (OCCS) module allows designers using an internal relaxation oscillator, an external crystal, or an external clock to run 56F8000 family devices at user-selectable frequencies up to 32MHz. For details, see the OCCS chapter in the **56F802x and 56F803x Peripheral Reference Manual**.



## 3.2 Features

The OCCS module interfaces to the oscillator and PLL and offers these features:

- Internal relaxation oscillator
- Ability to power down the internal relaxation oscillator or crystal oscillator
- Ability to put the internal relaxation oscillator into Standby mode
- 3-bit postscaler provides control for the PLL output
- Ability to power down the PLL
- Provides a 2X system clock which operates at twice the system clock to the System Integration Module (SIM)
- Provides a 3X system clock which operates at three times the system clock to PWM and Timer modules
- Safety shutdown feature is available if the PLL reference clock is lost
- Can be driven from an external clock source

The clock generation module provides the programming interface for the PLL, internal relaxation oscillator, and crystal oscillator.

## 3.3 Operating Modes

In 56F8000 family devices, an internal oscillator, an external crystal, or an external clock source can be used to provide a reference clock to the SIM.

The 2X system clock source output from the OCCS can be described by one of the following equations:

$$2X \text{ system frequency} = \text{oscillator frequency}$$

$$2X \text{ system frequency} = (\text{oscillator frequency} \times 8) / (\text{postscaler})$$

where:

$$\text{postscaler} = 1, 2, 4, 8, 16, \text{ or } 32$$

The SIM is responsible for further dividing these frequencies by two, which will insure a 50% duty cycle in the system clock output.

The 56F8000 family devices' on-chip clock synthesis module has the following registers:

- Control Register (OCCS\_CTRL)
- Divide-by Register (OCCS\_DIVBY)
- Status Register (OCCS\_STAT)
- Shutdown Register (OCCS\_SHUTDN)
- Oscillator Control Register (OCCS\_OCTRL)

For more information on these registers, please refer to the **56F802x and 56F803x Peripheral Reference Manual**.

## 3.4 Internal Clock Source

An internal relaxation oscillator can supply the reference frequency when an external frequency source or crystal is not used. It is optimized for accuracy and programmability while providing several power-saving configurations which accommodate different operating conditions. The internal relaxation oscillator has very little temperature and voltage variability. To optimize power, the architecture supports a standby state and a power-down state.

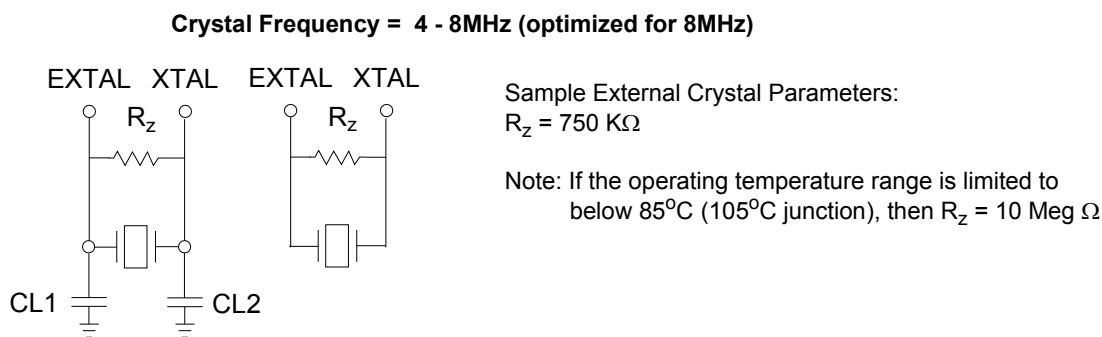
During a boot or reset sequence, the relaxation oscillator is enabled by default (the PRECS bit in the PLLCR word is set to 0). Application code can then also switch to the external clock source and power down the internal oscillator, if desired. If a changeover between internal and external clock sources is required at power-on, the user must ensure that the clock source is not switched until the desired external clock source is enabled and stable.

To compensate for variances in the device manufacturing process, the accuracy of the relaxation oscillator can be incrementally adjusted to within  $\pm 0.078\%$  of 8MHz by trimming an internal capacitor. Bits 0-9 of the OSCTL (oscillator control) register allow the user to set in an additional offset (trim) to this preset value to increase or decrease capacitance. Each unit added or subtracted changes the output frequency by about 0.078% of 8MHz, allowing incremental adjustment until the desired frequency accuracy is achieved.

The center frequency of the internal oscillator is calibrated at the factory to 8MHz and the TRIM value is stored in the Flash information block and loaded to the FMOPT1 register at reset. When using the relaxation oscillator, the boot code should read the FMOPT1 register and set this value as OSCTL TRIM. For further information, see the **56F802x and 56F803x Peripheral Reference Manual**.

## 3.5 Crystal Oscillator

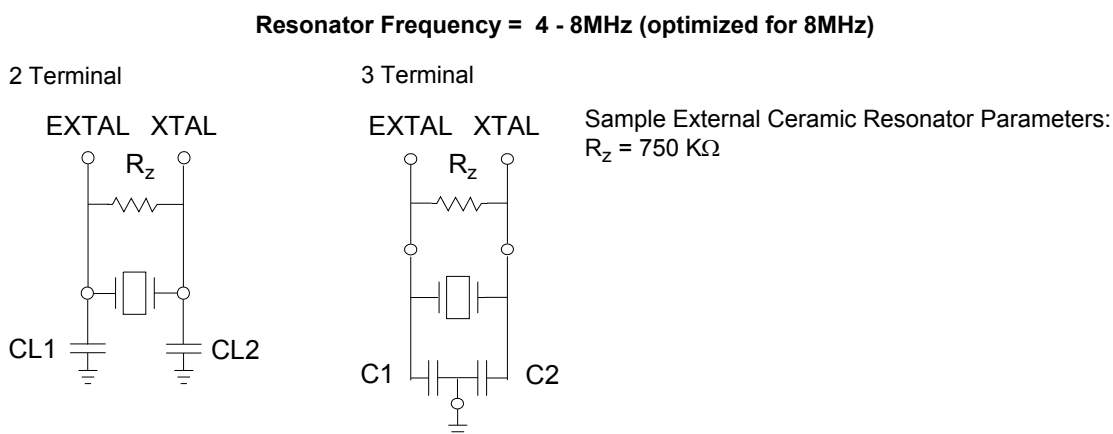
The internal crystal oscillator circuit is designed to interface with a parallel-resonant crystal resonator in a frequency range of 4-8MHz, specified for the external crystal. **Figure 3-1** shows a typical crystal oscillator circuit. Follow the crystal supplier's recommendations when selecting a crystal, since crystal parameters determine the component values required to provide maximum stability and reliable start-up. The load capacitance values used in the oscillator circuit design should include all stray layout capacitances. The crystal and associated components should be mounted as near as possible to the EXTAL and XTAL pins to minimize output distortion and start-up stabilization time.



**Figure 3-1 External Crystal Oscillator Circuit**

### 3.6 Ceramic Resonator

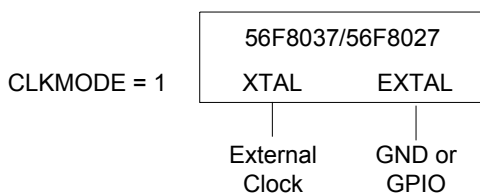
The internal crystal oscillator circuit is also designed to interface with a ceramic resonator in the frequency range of 4-8MHz. **Figure 3-2** shows the typical 2 and 3 terminal ceramic resonators and their circuits. Follow the resonator supplier's recommendations when selecting a resonator, since their parameters determine the component values required to provide maximum stability and reliable start up. The load capacitance values used in the resonator circuit design should include all stray layout capacitances. The resonator and associated components should be mounted as near as possible to the EXTAL and XTAL pins to minimize output distortion and start-up stabilization time.



**Figure 3-2 External Ceramic Resonator Circuit**

### 3.7 External Clock Input - Crystal Oscillator Option

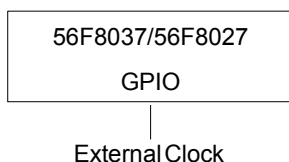
The recommended method of connecting an external clock is illustrated in **Figure 3-3**. The external clock source is connected to XTAL and the EXTAL pin is grounded. The external clock input must be generated using a relatively low impedance driver.



**Figure 3-3 Connecting an External Clock Signal using XTAL**

### 3.8 Alternate External Clock Input

The recommended method of connecting an external clock is illustrated in [Figure 3-3](#). The external clock source is connected to GPIO6/RXD (primary) or GPIOB5/TA1/FAULT3/XTAL/EXTAL (secondary). The user has the option of using GPIO6/RXD/CLKIN or GPIOB5/TA1/FAULT3/CLKIN as external clock input.



**Figure 3-4 Connecting an External Clock Signal using GPIO**

## Part 4 Memory Maps

### 4.1 Introduction

The 56F8037/56F8027 device is a 16-bit motor-control chip based on the 56800E core. It uses a Harvard-style architecture with two independent memory spaces for Data and Program. On-chip RAM is shared by both spaces and Flash memory is used only in Program space.

This section provides memory maps for:

- Program Address Space, including the Interrupt Vector Table
- Data Address Space, including the EOnCE Memory and Peripheral Memory Maps

On-chip memory sizes for the device are summarized in [Table 4-1](#). Flash memories' restrictions are identified in the “Use Restrictions” column of [Table 4-1](#).

**Table 4-1 Chip Memory Configurations**

On-Chip Memory	56F8037	56F8027	Use Restrictions
Program Flash (PFLASH)	32k x 16 or 64KB	16k x 16 or 32KB	Erase / Program via Flash interface unit and word writes to CDBW
Unified RAM (RAM)	4k x 16 or 8KB	2k x 16 or 4KB	Usable by both the Program and Data memory spaces

## 4.2 Interrupt Vector Table

**Table 4-2** provides the 56F8037/56F8027's reset and interrupt priority structure, including on-chip peripherals. The table is organized with higher-priority vectors at the top and lower-priority interrupts lower in the table. As indicated, the priority of an interrupt can be assigned to different levels, allowing some control over interrupt priorities. All level 3 interrupts will be serviced before level 2, and so on. For a selected priority level, the lowest vector number has the highest priority.

The location of the vector table is determined by the Vector Base Address (VBA). Please see [Section 5.6.8](#) for the reset value of the VBA.

By default, the chip reset address and COP reset address will correspond to vector 0 and 1 of the interrupt vector table. In these instances, the first two locations in the vector table must contain branch or JMP instructions. All other entries must contain JSR instructions.

**Table 4-2 Interrupt Vector Table Contents<sup>1</sup>**

Peripheral	Vector Number	Priority Level	Vector Base Address +	Interrupt Function
core			P:\$00	Reserved for Reset Overlay <sup>2</sup>
core			P:\$02	Reserved for COP Reset Overlay
core	2	3	P:\$04	Illegal Instruction
core	3	3	P:\$06	SW Interrupt 3
core	4	3	P:\$08	HW Stack Overflow
core	5	3	P:\$0A	Misaligned Long Word Access
core	6	1-3	P:\$0C	EOnCE Step Counter
core	7	1-3	P:\$0E	EOnCE Breakpoint Unit
core	8	1-3	P:\$10	EOnCE Trace Buffer
core	9	1-3	P:\$12	EOnCE Transmit Register Empty
core	10	1-3	P:\$14	EOnCE Receive Register Full
core	11	2	P:\$16	SW Interrupt 2
core	12	1	P:\$18	SW Interrupt 1
core	13	0	P:\$1A	SW Interrupt 0
	14			Reserved

**Table 4-2 Interrupt Vector Table Contents<sup>1</sup> (Continued)**

Peripheral	Vector Number	Priority Level	Vector Base Address +	Interrupt Function
LVI	15	1-3	P:\$1E	Low-Voltage Detector (Power Sense)
PLL	16	1-3	P:\$20	Phase-Locked Loop
FM	17	0-2	P:\$22	FM Access Error Interrupt
FM	18	0-2	P:\$24	FM Command Complete
FM	19	0-2	P:\$26	FM Command, Data, and Address Buffers Empty
MSCAN	20	0-2	P:\$28	MSCAN Error
MSCAN	21	0-2	P:\$2a	MSCAN Receive
MSCAN	22	0-2	P:\$2C	MSCAN Transmit
MSCAN	23	0-2	P:\$2E	MSCAN Wake-Up
GPIOD	24	0-2	P:\$30	GPIOD
GPIOC	25	0-2	P:\$32	GPIOC
GPIOB	26	0-2	P:\$34	GPIOB
GPIOA	27	0-2	P:\$36	GPIOA
QSPI0	28	0-2	P:\$38	QSPI0 Receiver Full
QSPI0	29	0-2	P:\$3A	QSPI0 Transmitter Empty
QSPI1	30	0-2	P:\$3C	QSPI1 Receiver Full
QSPI1	31	0-2	P:\$3E	QSPI1 Transmitter Empty
QSCI0	32	0-2	P:\$40	QSCI0 Transmitter Empty
QSCI0	33	0-2	P:\$42	QSCI0 Transmitter Idle
QSCI0	34	0-2	P:\$44	QSCI0 Receiver Error
QSCI0	35	0-2	P:\$46	QSCI0 Receiver Full
QSCI1	36	0-2	P:\$48	QSCI1 Transmitter Empty
QSCI1	37	0-2	P:\$4A	QSCI1 Transmitter Idle
QSCI1	38	0-2	P:\$4C	QSCI1 Receiver Error
QSCI1	39	0-2	P:\$4E	QSCI1 Receiver Full
I2C	40	0-2	P:\$50	I <sup>2</sup> C Error
I2C	41	0-2	P:\$52	I <sup>2</sup> C General
I2C	42	0-2	P:\$54	I <sup>2</sup> C Receive
I2C	43	0-2	P:\$56	I <sup>2</sup> C Transmit
I2C	44	0-2	P:\$58	I <sup>2</sup> C Status
TMRA	45	0-2	P:\$5A	Timer A, Channel 0
TMRA	46	0-2	P:\$5C	Timer A, Channel 1
TMRA	47	0-2	P:\$5E	Timer A, Channel 2
TMRA	48	0-2	P:\$60	Timer A, Channel 3
TMRB	49	0-2	P:\$62	Timer B, Channel 0
TMRB	50	0-2	P:\$64	Timer B, Channel 1
TMRB	51	0-2	P:\$66	Timer B, Channel 2
TMRB	52	0-2	P:\$68	Timer B, Channel 3

**Table 4-2 Interrupt Vector Table Contents<sup>1</sup> (Continued)**

Peripheral	Vector Number	Priority Level	Vector Base Address +	Interrupt Function
CMPA	53	0-2	P:\$6A	Comparator A
CMPB	54	0-2	P:\$6C	Comparator B
PIT0	55	0-2	P:\$6E	Interval Timer 0
PIT1	56	0-2	P:\$70	Interval Timer 1
PIT2	57	0-2	P:\$72	Interval Timer 2
ADC	58	0-2	P:\$74	ADC A Conversion Complete
ADC	59	0-2	P:\$76	ADC B Conversion Complete
ADC	60	0-2	P:\$78	ADC Zero Crossing or Limit Error
PWM	61	0-2	P:\$7A	Reload PWM
PWM	62	0-2	P:\$7C	PWM Fault
SWILP	63	-1	P:\$7E	SW Interrupt Low Priority

1. Two words are allocated for each entry in the vector table. This does not allow the full address range to be referenced from the vector table, providing only 19 bits of address.
2. If the VBA is set to the reset value, the first two locations of the vector table will overlay the chip reset addresses since the reset address would match the base of this vector table.

## 4.3 Program Map

The Program Memory map is shown in [Table 4-3](#) and [Table 4-4](#).

**Table 4-3 Program Memory Map<sup>1</sup> at Reset for 56F8037**

Begin/End Address	Memory Allocation
P: \$1F FFFF P: \$00 9000	RESERVED
P: \$00 8FFF P: \$00 8000	On-Chip RAM <sup>2</sup> 8KB
P: \$00 7FFF P: \$00 0000	Internal Program Flash 64KB Cop Reset Address = \$00 0002 Boot Location = \$00 0000

1. All addresses are 16-bit Word addresses.
2. This RAM is shared with Data space starting at address X: \$00 0000; see [Figure 4-1](#).

**Table 4-4 Program Memory Map<sup>1</sup> at Reset for 56F8027**

Begin/End Address	Memory Allocation
P: \$1F FFFF P: \$00 8800	RESERVED
P: \$00 87FF P: \$00 8000	On-Chip RAM <sup>2</sup> 4KB
P: \$00 7FFF P: \$00 4000	Internal Program Flash 32KB Cop Reset Address = \$00 4002 Boot Location = \$00 4000
P: \$00 3FFF P: \$00 0000	RESERVED

1. All addresses are 16-bit Word addresses.

2. This RAM is shared with Data space starting at address X: \$00 0000; see [Figure 4-2](#).

## 4.4 Data Map

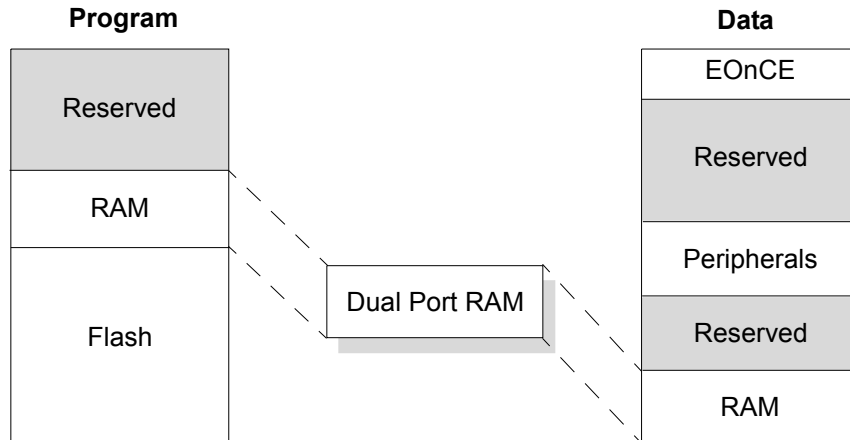
**Table 4-5 Data Memory Map for 56F8037<sup>1</sup>**

Begin/End Address	Memory Allocation
X:\$FF FFFF X:\$FF FF00	EOnCE 256 locations allocated
X:\$FF FEFF X:\$01 0000	RESERVED
X:\$00 FFFF X:\$00 F000	On-Chip Peripherals 4096 locations allocated
X:\$00 EFFF X:\$00 9000	RESERVED
X:\$00 8FFF X:\$00 8000	RESERVED
X:\$00 7FFF X:\$00 1000	RESERVED
X:\$00 0FFF X:\$00 0000	On-Chip Data RAM 8KB <sup>2</sup>

1. All addresses are 16-bit Word addresses.

2. This RAM is shared with Program space starting at P: \$00 8000; see [Figure 4-1](#).





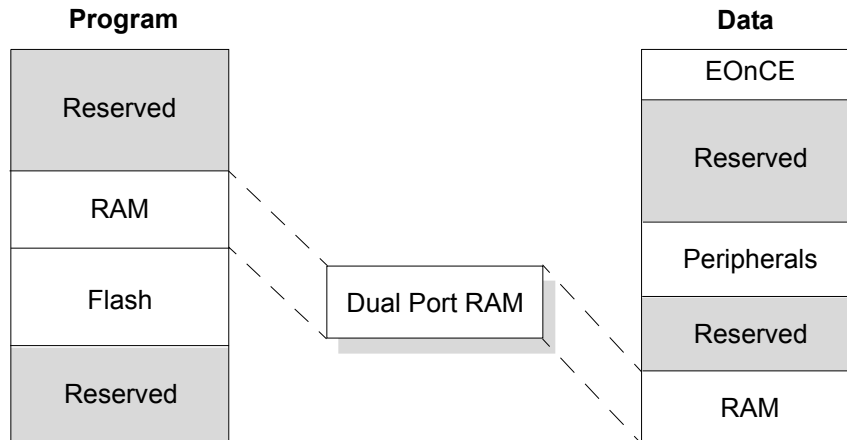
**Figure 4-1 Dual Port RAM for 56F8037**

**Table 4-6 Data Memory Map for 56F8027<sup>1</sup>**

Begin/End Address	Memory Allocation
X:\$FF FFFF X:\$FF FF00	EOnCE 256 locations allocated
X:\$FF FEFF X:\$01 0000	RESERVED
X:\$00 FFFF X:\$00 F000	On-Chip Peripherals 4096 locations allocated
X:\$00 EFFF X:\$00 9000	RESERVED
X:\$00 8FFF X:\$00 8000	RESERVED
X:\$00 7FFF X:\$00 0800	RESERVED
X:\$00 07FF X:\$00 0000	On-Chip Data RAM 4KB <sup>2</sup>

1. All addresses are 16-bit Word addresses.

2. This RAM is shared with Program space starting at P: \$00 8000; see [Figure 4-2](#).



**Figure 4-2 Dual Port RAM for 56F8027**

## 4.5 EOnCE Memory Map

Figure 4-7 lists all EOnCE registers necessary to access or control the EOnCE.

**Table 4-7 EOnCE Memory Map**

Address	Register Acronym	Register Name
X:\$FF FFFF	OTX1 / ORX1	Transmit Register Upper Word Receive Register Upper Word
X:\$FF FFFE	OTX / ORX (32 bits)	Transmit Register Receive Register
X:\$FF FFFD	OTRXSR	Transmit and Receive Status and Control Register
X:\$FF FFFC	OCLSR	Core Lock / Unlock Status Register
X:\$FF FFFB - X:\$FF FFA1		Reserved
X:\$FF FFA0	OCR	Control Register
X:\$FF FF9F		Instruction Step Counter
X:\$FF FF9E	OSCNTR (24 bits)	Instruction Step Counter
X:\$FF FF9D	OSR	Status Register
X:\$FF FF9C	OBASE	Peripheral Base Address Register
X:\$FF FF9B	OTBCR	Trace Buffer Control Register
X:\$FF FF9A	OTBPR	Trace Buffer Pointer Register
X:\$FF FF99		Trace Buffer Register Stages
X:\$FF FF98	OTB (21 - 24 bits/stage)	Trace Buffer Register Stages
X:\$FF FF97		Breakpoint Unit Control Register
X:\$FF FF96	OBCR (24 bits)	Breakpoint Unit Control Register
X:\$FF FF95		Breakpoint Unit Address Register 1
X:\$FF FF94	OBAR1 (24 bits)	Breakpoint Unit Address Register 1
X:\$FF FF93		Breakpoint Unit Address Register 2

**Table 4-7 EOnCE Memory Map (Continued)**

Address	Register Acronym	Register Name
X:\$FF FF92	OBAR2 (32 bits)	Breakpoint Unit Address Register 2
X:\$FF FF91		Breakpoint Unit Mask Register 2
X:\$FF FF90	OBMSK (32 bits)	Breakpoint Unit Mask Register 2
X:\$FF FF8F		Reserved
X:\$FF FF8E	OBCNTR	EOnCE Breakpoint Unit Counter
X:\$FF FF8D		Reserved
X:\$FF FF8C		Reserved
X:\$FF FF8B		Reserved
X:\$FF FF8A	OESCR	External Signal Control Register
X:\$FF FF89 - X:\$FF FF00		Reserved

## 4.6 Peripheral Memory-Mapped Registers

On-chip peripheral registers are part of the data memory map on the 56800E series. These locations may be accessed with the same addressing modes used for ordinary Data memory, except all peripheral registers should be read or written using word accesses only.

**Table 4-8** summarizes base addresses for the set of peripherals on the 56F8037/56F8027 device. Peripherals are listed in order of the base address.

The following tables list all of the peripheral registers required to control or access the peripherals.

**Table 4-8 Data Memory Peripheral Base Address Map Summary**

Peripheral	Prefix	Base Address	Table Number
Timer A	TMRA	X:\$00 F000	<a href="#">4-9</a>
Timer B	TMRB	X:\$00 F040	<a href="#">4-10</a>
ADC	ADC	X:\$00 F080	<a href="#">4-11</a>
PWM	PWM	X:\$00 F0C0	<a href="#">4-12</a>
ITCN	ITCN	X:\$00 F0E0	<a href="#">4-13</a>
SIM	SIM	X:\$00 F100	<a href="#">4-14</a>
COP	COP	X:\$00 F120	<a href="#">4-15</a>
CLK, PLL, OSC	OCCS	X:\$00 F130	<a href="#">4-16</a>
Power Supervisor	PS	X:\$00 F140	<a href="#">4-17</a>
GPIO Port A	GPIOA	X:\$00 F150	<a href="#">4-18</a>
GPIO Port B	GPIOB	X:\$00 F160	<a href="#">4-19</a>
GPIO Port C	GPIOC	X:\$00 F170	<a href="#">4-20</a>
GPIO Port D	GPIOD	X:\$00 F180	<a href="#">4-21</a>
PIT 0	PIT0	X:\$00 F190	<a href="#">4-22</a>
PIT 1	PIT1	X:\$00 F1A0	<a href="#">4-23</a>
PIT 2	PIT2	X:\$00 F1B0	<a href="#">4-24</a>

**Table 4-8 Data Memory Peripheral Base Address Map Summary (Continued)**

Peripheral	Prefix	Base Address	Table Number
DAC 0	DAC0	X:\$00 F1C0	<a href="#">4-25</a>
DAC 1	DAC1	X:\$00 F1D0	<a href="#">4-26</a>
Comparator A	CMPA	X:\$00 F1E0	<a href="#">4-27</a>
Comparator B	CMPB	X:\$00 F1F0	<a href="#">4-28</a>
QSCI 0	QSCI0	X:\$00 F200	<a href="#">4-29</a>
QSCI 1	QSCI1	X:\$00 F210	<a href="#">4-30</a>
QSPI 0	QSPI0	X:\$00 F220	<a href="#">4-31</a>
QSPI 1	QSPI1	X:\$00 F230	<a href="#">4-32</a>
I <sup>2</sup> C	I2C	X:\$00 F280	<a href="#">4-33</a>
FM	FM	X:\$00 F400	<a href="#">4-34</a>
MSCAN	CAN	X:\$00 F800	<a href="#">4-35</a>

**Table 4-9 Quad Timer A Registers Address Map  
(TMRA\_BASE = \$00 F000)**

Register Acronym	Address Offset	Register Description
TMRA0_COMP1	\$0	Compare Register 1
TMRA0_COMP2	\$1	Compare Register 2
TMRA0_CAPT	\$2	Capture Register
TMRA0_LOAD	\$3	Load Register
TMRA0_HOLD	\$4	Hold Register
TMRA0_CNTR	\$5	Counter Register
TMRA0_CTRL	\$6	Control Register
TMRA0_SCTRL	\$7	Status and Control Register
TMRA0_CMPLD1	\$8	Comparator Load Register 1
TMRA0_CMPLD2	\$9	Comparator Load Register 2
TMRA0_CSCTRL	\$A	Comparator Status and Control Register
TMRA0_FILT	\$B	Input Filter Register
		Reserved
TMRA0_ENBL	\$F	Timer Channel Enable Register
TMRA1_COMP1	\$10	Compare Register 1
TMRA1_COMP2	\$11	Compare Register 2
TMRA1_CAPT	\$12	Capture Register
TMRA1_LOAD	\$13	Load Register
TMRA1_HOLD	\$14	Hold Register
TMRA1_CNTR	\$15	Counter Register
TMRA1_CTRL	\$16	Control Register
TMRA1_SCTRL	\$17	Status and Control Register
TMRA1_CMPLD1	\$18	Comparator Load Register 1
TMRA1_CMPLD2	\$19	Comparator Load Register 2
TMRA1_CSCTRL	\$1A	Comparator Status and Control Register
TMRA1_FILT	\$1B	Input Filter Register
		Reserved
TMRA2_COMP1	\$20	Compare Register 1
TMRA2_COMP2	\$21	Compare Register 2
TMRA2_CAPT	\$22	Capture Register
TMRA2_LOAD	\$23	Load Register
TMRA2_HOLD	\$24	Hold Register
TMRA2_CNTR	\$25	Counter Register
TMRA2_CTRL	\$26	Control Register
TMRA2_SCTRL	\$27	Status and Control Register
TMRA2_CMPLD1	\$28	Comparator Load Register 1

**Table 4-9 Quad Timer A Registers Address Map (Continued)  
(TMRA\_BASE = \$00 F000)**

Register Acronym	Address Offset	Register Description
TMRA2_CMPLD2	\$29	Comparator Load Register 2
TMRA2_CSCTRL	\$2A	Comparator Status and Control Register
TMRA2_FILT	\$2B	Input Filter Register
		Reserved
TMRA3_COMP1	\$30	Compare Register 1
TMRA3_COMP2	\$31	Compare Register 2
TMRA3_CAPT	\$32	Capture Register
TMRA3_LOAD	\$33	Load Register
TMRA3_HOLD	\$34	Hold Register
TMRA3_CNTR	\$35	Counter Register
TMRA3_CTRL	\$36	Control Register
TMRA3_SCTRL	\$37	Status and Control Register
TMRA3_CMPLD1	\$38	Comparator Load Register 1
TMRA3_CMPLD2	\$39	Comparator Load Register 2
TMRA3_CSCTRL	\$3A	Comparator Status and Control Register
TMRA3_FILT	\$3B	Input Filter Register
		Reserved

**Table 4-10 Quad Timer B Registers Address Map  
(TMRB\_BASE = \$00 F040)**

Register Acronym	Address Offset	Register Description
TMRB0_COMP1	\$0	Compare Register 1
TMRB0_COMP2	\$1	Compare Register 2
TMRB0_CAPT	\$2	Capture Register
TMRB0_LOAD	\$3	Load Register
TMRB0_HOLD	\$4	Hold Register
TMRB0_CNTR	\$5	Counter Register
TMRB0_CTRL	\$6	Control Register
TMRB0_SCTRL	\$7	Status and Control Register
TMRB0_CMPLD1	\$8	Comparator Load Register 1
TMRB0_CMPLD2	\$9	Comparator Load Register 2
TMRB0_CSCTRL	\$A	Comparator Status and Control Register
TMRB0_FILT	\$B	Input Filter Register
		Reserved
TMRB0_ENBL	\$F	Timer Channel Enable Register
TMRB1_COMP1	\$10	Compare Register 1
TMRB1_COMP2	\$11	Compare Register 2
TMRB1_CAPT	\$12	Capture Register

**Table 4-10 Quad Timer B Registers Address Map (Continued)**  
**(TMRB\_BASE = \$00 F040)**

Register Acronym	Address Offset	Register Description
TMRB1_LOAD	\$13	Load Register
TMRB1_HOLD	\$14	Hold Register
TMRB1_CNTR	\$15	Counter Register
TMRB1_CTRL	\$16	Control Register
TMRB1_SCTRL	\$17	Status and Control Register
TMRB1_CMPLD1	\$18	Comparator Load Register 1
TMRB1_CMPLD2	\$19	Comparator Load Register 2
TMRB1_CSCTRL	\$1A	Comparator Status and Control Register
TMRB1_FILTER	\$1B	Input Filter Register
		Reserved
TMRB2_COMP1	\$20	Compare Register 1
TMRB2_COMP2	\$21	Compare Register 2
TMRB2_CAPT	\$22	Capture Register
TMRB2_LOAD	\$23	Load Register
TMRB2_HOLD	\$24	Hold Register
TMRB2_CNTR	\$25	Counter Register
TMRB2_CTRL	\$26	Control Register
TMRB2_SCTRL	\$27	Status and Control Register
TMRB2_CMPLD1	\$28	Comparator Load Register 1
TMRB2_CMPLD2	\$29	Comparator Load Register 2
TMRB2_CSCTRL	\$2A	Comparator Status and Control Register
TMRB2_FILTER	\$2B	Input Filter Register
		Reserved
TMRB3_COMP1	\$30	Compare Register 1
TMRB3_COMP2	\$31	Compare Register 2
TMRB3_CAPT	\$32	Capture Register
TMRB3_LOAD	\$33	Load Register
TMRB3_HOLD	\$34	Hold Register
TMRB3_CNTR	\$35	Counter Register
TMRB3_CTRL	\$36	Control Register
TMRB3_SCTRL	\$37	Status and Control Register
TMRB3_CMPLD1	\$38	Comparator Load Register 1
TMRB3_CMPLD2	\$39	Comparator Load Register 2
TMRB3_CSCTRL	\$3A	Comparator Status and Control Register
TMRB3_FILTER	\$3B	Input Filter Register
		Reserved

**Table 4-11 Analog-to-Digital Converter Registers Address Map  
(ADC\_BASE = \$00 F080)**

Register Acronym	Address Offset	Register Description
ADC_CTRL1	\$0	Control Register 1
ADC_CTRL2	\$1	Control Register 2
ADC_ZXCTRL	\$2	Zero Crossing Control Register
ADC_CLIST 1	\$3	Channel List Register 1
ADC_CLIST 2	\$4	Channel List Register 2
ADC_CLIST 3	\$5	Channel List Register 3
ADC_CLIST 4	\$6	Channel List Register 4
ADC_SDIS	\$7	Sample Disable Register
ADC_STAT	\$8	Status Register
ADC_RDY	\$9	Conversion Ready Register
ADC_LIMSTAT	\$A	Limit Status Register
ADC_ZXSTAT	\$B	Zero Crossing Status Register
ADC_RSLT0	\$C	Result Register 0
ADC_RSLT1	\$D	Result Register 1
ADC_RSLT2	\$E	Result Register 2
ADC_RSLT3	\$F	Result Register 3
ADC_RSLT4	\$10	Result Register 4
ADC_RSLT5	\$11	Result Register 5
ADC_RSLT6	\$12	Result Register 6
ADC_RSLT7	\$13	Result Register 7
ADC_RSLT8	\$14	Result Register 8
ADC_RSLT9	\$15	Result Register 9
ADC_RSLT10	\$16	Result Register 10
ADC_RSLT11	\$17	Result Register 11
ADC_RSLT12	\$18	Result Register 12
ADC_RSLT13	\$19	Result Register 13
ADC_RSLT14	\$1A	Result Register 14
ADC_RSLT15	\$1B	Result Register 15
ADC_LOLIM0	\$1C	Low Limit Register 0
ADC_LOLIM1	\$1D	Low Limit Register 1
ADC_LOLIM2	\$1E	Low Limit Register 2
ADC_LOLIM3	\$1F	Low Limit Register 3
ADC_LOLIM4	\$20	Low Limit Register 4
ADC_LOLIM5	\$21	Low Limit Register 5
ADC_LOLIM6	\$22	Low Limit Register 6
ADC_LOLIM7	\$23	Low Limit Register 7



**Table 4-11 Analog-to-Digital Converter Registers Address Map (Continued)  
(ADC\_BASE = \$00 F080)**

Register Acronym	Address Offset	Register Description
ADC_HILIM0	\$24	High Limit Register 0
ADC_HILIM1	\$25	High Limit Register 1
ADC_HILIM2	\$26	High Limit Register 2
ADC_HILIM3	\$27	High Limit Register 3
ADC_HILIM4	\$28	High Limit Register 4
ADC_HILIM5	\$29	High Limit Register 5
ADC_HILIM6	\$2A	High Limit Register 6
ADC_HILIM7	\$2B	High Limit Register 7
ADC_OFFST0	\$2C	Offset Register 0
ADC_OFFST1	\$2D	Offset Register 1
ADC_OFFST2	\$2E	Offset Register 2
ADC_OFFST3	\$2F	Offset Register 3
ADC_OFFST4	\$30	Offset Register 4
ADC_OFFST5	\$31	Offset Register 5
ADC_OFFST6	\$32	Offset Register 6
ADC_OFFST7	\$33	Offset Register 7
ADC_PWR	\$34	Power Control Register
ADC_CAL	\$35	Calibration Register
		Reserved

**Table 4-12 Pulse Width Modulator Registers Address Map  
(PWM\_BASE = \$00 F0C0)**

Register Acronym	Address Offset	Register Description
PWM_CTRL	\$0	Control Register
PWM_FCTRL	\$1	Fault Control Register
PWM_FLTACK	\$2	Fault Status Acknowledge Register
PWM_OUT	\$3	Output Control Register
PWM_CNTR	\$4	Counter Register
PWM_CMOD	\$5	Counter Modulo Register
PWM_VAL0	\$6	Value Register 0
PWM_VAL1	\$7	Value Register 1
PWM_VAL2	\$8	Value Register 2
PWM_VAL3	\$9	Value Register 3
PWM_VAL4	\$A	Value Register 4
PWM_VAL5	\$B	Value Register 5
PWM_DTIM0	\$C	Dead Time Register 0

**Table 4-12 Pulse Width Modulator Registers Address Map (Continued)  
(PWM\_BASE = \$00 F0C0)**

Register Acronym	Address Offset	Register Description
PWM_DTIM1	\$D	Dead Time Register 1
PWM_DMAP1	\$E	Disable Mapping Register 1
PWM_DMAP2	\$F	Disable Mapping Register 2
PWM_CNFG	\$10	Configure Register
PWM_CCTRL	\$11	Channel Control Register
PWM_PORT	\$12	Port Register
PWM_ICCTRL	\$13	Internal Correction Control Register
PWM_SCTRL	\$14	Source Control Register
PWM_SYNC	\$15	Synchronization Window Register
PWM_FFILT0	\$16	Fault0 Filter Register
PWM_FFILT1	\$17	Fault1 Filter Register
PWM_FFILT2	\$18	Fault2 Filter Register
PWM_FFILT3	\$19	Fault3 Filter Register

**Table 4-13 Interrupt Control Registers Address Map  
(ITCN\_BASE = \$00 F0E0)**

Register Acronym	Address Offset	Register Description
ITCN_IPR0	\$0	Interrupt Priority Register 0
ITCN_IPR1	\$1	Interrupt Priority Register 1
ITCN_IPR2	\$2	Interrupt Priority Register 2
ITCN_IPR3	\$3	Interrupt Priority Register 3
ITCN_IPR4	\$4	Interrupt Priority Register 4
ITCN_IPR5	\$5	Interrupt Priority Register 5
ITCN_IPR6	\$6	Interrupt Priority Register 6
ITCN_VBA	\$7	Vector Base Address Register
ITCN_FIM0	\$8	Fast Interrupt Match 0 Register
ITCN_FIVAL0	\$9	Fast Interrupt Vector Address Low 0 Register
ITCN_FIVAH0	\$A	Fast Interrupt Vector Address High 0 Register
ITCN_FIM1	\$B	Fast Interrupt Match 1 Register
ITCN_FIVAL1	\$C	Fast Interrupt Vector Address Low 1 Register
ITCN_FIVAH1	\$D	Fast Interrupt Vector Address High 1 Register
ITCN_IRQP0	\$E	IRQ Pending Register 0
ITCN_IRQP1	\$F	IRQ Pending Register 1
ITCN_IRQP2	\$10	IRQ Pending Register 2

**Table 4-13 Interrupt Control Registers Address Map (Continued)**  
(ITCN\_BASE = \$00 F0E0)

Register Acronym	Address Offset	Register Description
ITCN_IRQP3	\$11	IRQ Pending Register 3
		Reserved
ITCN_ICTRL	\$16	Interrupt Control Register
		Reserved

**Table 4-14 SIM Registers Address Map**  
(SIM\_BASE = \$00 F100)

Register Acronym	Address Offset	Register Description
SIM_CTRL	\$0	Control Register
SIM_RSTAT	\$1	Reset Status Register
SIM_SWC0	\$2	Software Control Register 0
SIM_SWC1	\$3	Software Control Register 1
SIM_SWC2	\$4	Software Control Register 2
SIM_SWC3	\$5	Software Control Register 3
SIM_MSHID	\$6	Most Significant Half JTAG ID
SIM_LSHID	\$7	Least Significant Half JTAG ID
SIM_PWR	\$8	Power Control Register
		Reserved
SIM_CLKOUT	\$A	Clock Out Select Register
SIM_PCR	\$B	Peripheral Clock Rate Register
SIM_PCE0	\$C	Peripheral Clock Enable Register 0
SIM_PCE1	\$D	Peripheral Clock Enable Register 1
SIM_SD0	\$E	Peripheral STOP Disable Register 0
SIM_SD1	\$F	Peripheral STOP Disable Register 1
SIM_IOSAHI	\$10	I/O Short Address Location High Register
SIM_IOSALO	\$11	I/O Short Address Location Low Register
SIM_PROT	\$12	Protection Register
SIM_GPSA0	\$13	GPIO Peripheral Select Register 0 for GPIOA
SIM_GPSA1	\$14	GPIO Peripheral Select Register 1 for GPIOA
SIM_GPSB0	\$15	GPIO Peripheral Select Register 0 for GPIOB
SIM_GPSB1	\$16	GPIO Peripheral Select Register 1 for GPIOB
SIM_GPSCD	\$17	GPIO Peripheral Select Register for GPIOC and GPIOD
SIM_IPS0	\$18	Internal Peripheral Source Select Register 0 for PWM
SIM_IPS1	\$19	Internal Peripheral Source Select Register 1 for DACs
SIM_IPS2	\$1A	Internal Peripheral Source Select Register 2 for TMRA
		Reserved

**Table 4-15 Computer Operating Properly Registers Address Map  
(COP\_BASE = \$00 F120)**

Register Acronym	Address Offset	Register Description
COP_CTRL	\$0	Control Register
COP_TOUT	\$1	Time-Out Register
COP_CNTR	\$2	Counter Register

**Table 4-16 Clock Generation Module Registers Address Map  
(OCCS\_BASE = \$00 F130)**

Register Acronym	Address Offset	Register Description
OCCS_CTRL	\$0	Control Register
OCCS_DIVBY	\$1	Divide-By Register
OCCS_STAT	\$2	Status Register
		Reserved
OCCS_OCTRL	\$5	Oscillator Control Register
OCCS_CLKCHK	\$6	Clock Check Register
OCCS_PROT	\$7	Protection Register

**Table 4-17 Power Supervisor Registers Address Map  
(PS\_BASE = \$00 F140)**

Register Acronym	Address Offset	Register Description
PS_CTRL	\$0	Control Register
PS_STAT	\$1	Status Register
		Reserved

**Table 4-18 GPIOA Registers Address Map  
(GPIOA\_BASE = \$00 F150)**

Register Acronym	Address Offset	Register Description
GPIOA_PUPEN	\$0	Pull-up Enable Register
GPIOA_DATA	\$1	Data Register
GPIOA_DDIR	\$2	Data Direction Register
GPIOA_PEREN	\$3	Peripheral Enable Register
GPIOA_IASSRT	\$4	Interrupt Assert Register
GPIOA_IEN	\$5	Interrupt Enable Register
GPIOA_IPOL	\$6	Interrupt Polarity Register

**Table 4-18 GPIOA Registers Address Map (Continued)**  
**(GPIOA\_BASE = \$00 F150)**

Register Acronym	Address Offset	Register Description
GPIOA_IPEND	\$7	Interrupt Pending Register
GPIOA_IEDGE	\$8	Interrupt Edge-Sensitive Register
GPIOA_PPOUTM	\$9	Push-Pull Output Mode Control Register
GPIOA_RDATA	\$A	Raw Data Input Register
GPIOA_DRIVE	\$B	Output Drive Strength Control Register

**Table 4-19 GPIOB Registers Address Map**  
**(GPIOB\_BASE = \$00 F160)**

Register Acronym	Address Offset	Register Description
GPIOB_PUPEN	\$0	Pull-up Enable Register
GPIOB_DATA	\$1	Data Register
GPIOB_DDIR	\$2	Data Direction Register
GPIOB_PEREN	\$3	Peripheral Enable Register
GPIOB_IASSRT	\$4	Interrupt Assert Register
GPIOB_IEN	\$5	Interrupt Enable Register
GPIOB_IPOL	\$6	Interrupt Polarity Register
GPIOB_IPEND	\$7	Interrupt Pending Register
GPIOB_IEDGE	\$8	Interrupt Edge-Sensitive Register
GPIOB_PPOUTM	\$9	Push-Pull Output Mode Control Register
GPIOB_RDATA	\$A	Raw Data Input Register
GPIOB_DRIVE	\$B	Output Drive Strength Control Register

**Table 4-20 GPIOC Registers Address Map**  
**(GPIOC\_BASE = \$00 F170)**

Register Acronym	Address Offset	Register Description
GPIOC_PUPEN	\$0	Pull-up Enable Register
GPIOC_DATA	\$1	Data Register
GPIOC_DDIR	\$2	Data Direction Register
GPIOC_PEREN	\$3	Peripheral Enable Register
GPIOC_IASSRT	\$4	Interrupt Assert Register
GPIOC_IEN	\$5	Interrupt Enable Register
GPIOC_IPOL	\$6	Interrupt Polarity Register
GPIOC_IPEND	\$7	Interrupt Pending Register
GPIOC_IEDGE	\$8	Interrupt Edge-Sensitive Register
GPIOC_PPOUTM	\$9	Push-Pull Output Mode Control Register
GPIOC_RDATA	\$A	Raw Data Input Register
GPIOC_DRIVE	\$B	Output Drive Strength Control Register

**Table 4-21 GPIO Registers Address Map  
(GPIOD\_BASE = \$00 F180)**

Register Acronym	Address Offset	Register Description
GPIOD_PUPEN	\$0	Pull-up Enable Register
GPIOD_DATA	\$1	Data Register
GPIOD_DDIR	\$2	Data Direction Register
GPIOD_PEREN	\$3	Peripheral Enable Register
GPIOD_IASSRT	\$4	Interrupt Assert Register
GPIOD_IEN	\$5	Interrupt Enable Register
GPIOD_IPOL	\$6	Interrupt Polarity Register
GPIOD_IPEND	\$7	Interrupt Pending Register
GPIOD_IEDGE	\$8	Interrupt Edge-Sensitive Register
GPIOD_PPOUTM	\$9	Push-Pull Output Mode Control Register
GPIOD_RDATA	\$A	Raw Data Input Register
GPIOD_DRIVE	\$B	Output Drive Strength Control Register

**Table 4-22 Programmable Interval Timer 0 Registers Address Map  
(PIT0\_BASE = \$00 F190)**

Register Acronym	Address Offset	Register Description
PIT0_CTRL	\$0	Control Register
PIT0_MOD	\$1	Modulo Register
PIT0_CNTR	\$2	Counter Register

**Table 4-23 Programmable Interval Timer 1 Registers Address Map  
(PIT1\_BASE = \$00 F1A0)**

Register Acronym	Address Offset	Register Description
PIT1_CTRL	\$0	Control Register
PIT1_MOD	\$1	Modulo Register
PIT1_CNTR	\$2	Counter Register

**Table 4-24 Programmable Interval Timer 2 Registers Address Map  
(PIT2\_BASE = \$00 F1B0)**

Register Acronym	Address Offset	Register Description
PIT2_CTRL	\$0	Control Register
PIT2_MOD	\$1	Modulo Register

**Table 4-24 Programmable Interval Timer 2 Registers Address Map (Continued)  
(PIT2\_BASE = \$00 F1B0)**

Register Acronym	Address Offset	Register Description
PIT2_CNTR	\$2	Counter Register

**Table 4-25 Digital-to-Analog Converter 0 Registers Address Map  
(DAC0\_BASE = \$00 F1C0)**

Register Acronym	Address Offset	Register Description
DAC0_CTRL	\$0	Control Register
DAC0_DATA	\$1	Data Register
DAC0_STEP	\$2	Step Register
DAC0_MINVAL	\$3	Minimum Value Register
DAC0_MAXVAL	\$4	Maximum Value Register

**Table 4-26 Digital-to-Analog Converter 0 Registers Address Map  
(DAC1\_BASE = \$00 F1D0)**

Register Acronym	Address Offset	Register Description
DAC1_CTRL	\$0	Control Register
DAC1_DATA	\$1	Data Register
DAC1_STEP	\$2	Step Register
DAC1_MINVAL	\$3	Minimum Value Register
DAC1_MAXVAL	\$4	Maximum Value Register

**Table 4-27 Comparator A Registers Address Map  
(CMPA\_BASE = \$00 F1E0)**

Register Acronym	Address Offset	Register Description
CMPA_CTRL	\$0	Control Register
CMPA_STAT	\$1	Status Register
CMPA_FILT	\$2	Filter Register

**Table 4-28 Comparator B Registers Address Map  
(CMPB\_BASE = \$00 F1F0)**

Register Acronym	Address Offset	Register Description
CMPB_CTRL	\$0	Control Register
CMPB_STAT	\$1	Status Register
CMPB_FILT	\$2	Filter Register

**Table 4-29 Queued Serial Communication Interface 0 Registers Address Map (QSCI0\_BASE = \$00 F200)**

Register Acronym	Address Offset	Register Description
QSCI0_RATE	\$0	Baud Rate Register
QSCI0_CTRL1	\$1	Control Register 1
QSCI0_CTRL2	\$2	Control Register 2
QSCI0_STAT	\$3	Status Register
QSCI0_DATA	\$4	Data Register

**Table 4-30 Queued Serial Communication Interface 1 Registers Address Map (QSCI1\_BASE = \$00 F210)**

Register Acronym	Address Offset	Register Description
QSCI1_RATE	\$0	Baud Rate Register
QSCI1_CTRL1	\$1	Control Register 1
QSCI1_CTRL2	\$2	Control Register 2
QSCI1_STAT	\$3	Status Register
QSCI1_DATA	\$4	Data Register

**Table 4-31 Queued Serial Peripheral Interface 0 Registers Address Map (QSPI0\_BASE = \$00 F220)**

Register Acronym	Address Offset	Register Description
QSPI0_SCTRL	\$0	Status and Control Register
QSPI0_DSCTRL	\$1	Data Size and Control Register
QSPI0_DRCV	\$2	Data Receive Register
QSPI0_DXMIT	\$3	Data Transmit Register
QSPI0_FIFO	\$4	FIFO Control Register
QSPI0_DELAY	\$5	Delay Register

**Table 4-32 Queued Serial Peripheral Interface 1 Registers Address Map (QSPI1\_BASE = \$00 F230)**

Register Acronym	Address Offset	Register Description
QSPI1_SCTRL	\$0	Status and Control Register
QSPI1_DSCTRL	\$1	Data Size and Control Register
QSPI1_DRCV	\$2	Data Receive Register
QSPI1_DXMIT	\$3	Data Transmit Register
QSPI1_FIFO	\$4	FIFO Control Register



**Table 4-32 Queued Serial Peripheral Interface 1 Registers Address Map  
(QSPI1\_BASE = \$00 F230)**

Register Acronym	Address Offset	Register Description
QSPI1_DELAY	\$5	Delay Register

**Table 4-33 I<sup>2</sup>C Registers Address Map  
(I2C\_BASE = \$00 F280)**

Register Acronym	Address Offset	Register Description
I2C_CTRL	\$0	Control Register
I2C_TAR	\$2	Target Address Register
I2C_SAR	\$4	Slave Address Register
I2C_DATA	\$8	RX/TX Data Buffer and Command Register
I2C_SSHCNT	\$A	Standard Speed Clock SCL High Count Register
I2C_SSLCNT	\$C	Standard Speed Clock SCL Low Count Register
I2C_FSHCNT	\$E	Fast Speed Clock SCL High Count Register
I2C_FSLCNT	\$10	Fast Speed Clock SCL Low Count Register
I2C_ISTAT	\$16	Interrupt Status Register
I2C_IMASK	\$18	Interrupt Mask Register
I2C_RISTAT	\$1A	Raw Interrupt Status Register
I2C_RXFT	\$1C	Receive FIFO Threshold Register
I2C_TXFT	\$1E	Transmit FIFO Threshold Register
I2C_CLRINT	\$20	Clear Combined and Individual Interrupts Register
I2C_CLRRXUND	\$22	Clear RX_UNDER Interrupt Register
I2C_CLRRXOVR	\$24	Clear RX_OVER Interrupt Register
I2C_CLRTXOVR	\$26	Clear TX_OVER Interrupt Register
I2C_CLRRDREQ	\$28	Clear RD_REQ Interrupt Register
I2C_CLRTXABRT	\$2A	Clear TX_ABRT Interrupt Register
I2C_CLRRXDONE	\$2C	Clear RX_DONE Interrupt Register
I2C_CLRACT	\$2E	Clear Activity Interrupt Register
I2C_CLRSTPDET	\$30	Clear STOP_DET Interrupt Register
I2C_CLRSTDET	\$32	Clear START_DET Interrupt Register
I2C_CLRGC	\$34	Clear GEN_CALL Interrupt Register
I2C_ENBL	\$36	Enable Register
I2C_STAT	\$38	Status Register
I2C_TXFLR	\$3A	Transmit FIFO Level Register
I2C_RXFLR	\$3C	Receive FIFO Level Register
I2C_TXABRTSRC	\$40	Transmit Abort Status Register

**Table 4-34 Flash Module Registers Address Map  
(FM\_BASE = \$00 F400)**

Register Acronym	Address Offset	Register Description
FM_CLKDIV	\$0	Clock Divider Register
FM_CNFG	\$1	Configuration Register
	\$2	Reserved
FM_SECHI	\$3	Security High Half Register
FM_SECLO	\$4	Security Low Half Register
	\$5 - \$9	Reserved
FM_PROT	\$10	Protection Register
	\$11 - \$12	Reserved
FM_USTAT	\$13	User Status Register
FM_CMD	\$14	Command Register
	\$15 - \$17	Reserved
FM_DATA	\$18	Data Buffer Register
	\$19 - \$A	Reserved
FM_OPT1	\$1B	Information Option Register 1
	\$1C	Reserved
FM_TSTSIG	\$1D	Test Array Signature Register

**Table 4-35 MSCAN Registers Address Map  
(MSCAN\_BASE = \$00 F800)**

Register Acronym	Address Offset	Register Description
MSCAN_CTRL0	\$00	Control Register 0
MSCAN_CTRL1	\$01	Control Register 1
MSCAN_BTR0	\$02	Bus Timing Register 0
MSCAN_BTR1	\$03	Bus Timing Register 1
MSCAN_RFLG	\$04	Receiver Flag Register
MSCAN_RIER	\$05	Receiver Interrupt Enable Register
MSCAN_TFLG	\$06	Transmitter Flag Register
MSCAN_TIER	\$07	Transmitter Interrupt Enable Register
MSCAN_TARQ	\$08	Transmitter Message Abort Request Register
MSCAN_TAAK	\$09	Transmitter Message Abort Acknowledge Register
MSCAN_TBSEL	\$0A	Transmitter Buffer Selection Register
MSCAN_IDAC	\$0B	Identifier Acceptance Control Register
		Reserved
MSCAN_MISC	\$0D	Miscellaneous Register
MSCAN_RXERR	\$0E	Receive Error Register
MSCAN_TXERR	\$0F	Transmit Error Register

**Table 4-35 MSCAN Registers Address Map (Continued)**  
**(MSCAN\_BASE = \$00 F800)**

Register Acronym	Address Offset	Register Description
MSCAN_IDAR0	\$10	Identifier Acceptance Register 0
MSCAN_IDAR1	\$11	Identifier Acceptance Register 1
MSCAN_IDAR2	\$12	Identifier Acceptance Register 2
MSCAN_IDAR3	\$13	Identifier Acceptance Register 3
MSCAN_IDMR0	\$14	Identifier Mask Register 0
MSCAN_IDMR1	\$15	Identifier Mask Register 1
MSCAN_IDMR2	\$16	Identifier Mask Register 2
MSCAN_IDMR3	\$17	Identifier Mask Register 3
MSCAN_IDAR4	\$18	Identifier Acceptance Register 4
MSCAN_IDAR5	\$19	Identifier Acceptance Register 5
MSCAN_IDAR6	\$1A	Identifier Acceptance Register 6
MSCAN_IDAR7	\$1B	Identifier Acceptance Register 7
MSCAN_IDMR4	\$1C	Identifier Mask Register 4
MSCAN_IDMR5	\$1D	Identifier Mask Register 5
MSCAN_IDMR6	\$1E	Identifier Mask Register 6
MSCAN_IDMR7	\$1F	Identifier Mask Register 7
MSCAN_RXFG0	\$20	Foreground Receive Buffer 0
MSCAN_RXFG1	\$21	Foreground Receive Buffer 1
MSCAN_RXFG2	\$22	Foreground Receive Buffer 2
MSCAN_RXFG3	\$23	Foreground Receive Buffer 3
MSCAN_RXFG4	\$24	Foreground Receive Buffer 4
MSCAN_RXFG5	\$25	Foreground Receive Buffer 5
MSCAN_RXFG6	\$26	Foreground Receive Buffer 6
MSCAN_RXFG7	\$27	Foreground Receive Buffer 7
MSCAN_RXFG8	\$28	Foreground Receive Buffer 8
MSCAN_RXFG9	\$29	Foreground Receive Buffer 9
MSCAN_RXFG10	\$2A	Foreground Receive Buffer 10
MSCAN_RXFG11	\$2B	Foreground Receive Buffer 11
MSCAN_RXFG12	\$2C	Foreground Receive Buffer 12
MSCAN_RXFG13	\$2D	Foreground Receive Buffer 13
MSCAN_RXFG14	\$2E	Foreground Receive Buffer 14
MSCAN_RXFG15	\$2F	Foreground Receive Buffer 15
MSCAN_TXFG0	\$30	Foreground Transmit Buffer 0
MSCAN_TXFG1	\$31	Foreground Transmit Buffer 1
MSCAN_TXFG2	\$32	Foreground Transmit Buffer 2
MSCAN_TXFG3	\$33	Foreground Transmit Buffer 3

**Table 4-35 MSCAN Registers Address Map (Continued)**  
(MSCAN\_BASE = \$00 F800)

Register Acronym	Address Offset	Register Description
MSCAN_TXFG4	\$34	Foreground Transmit Buffer 4
MSCAN_TXFG5	\$35	Foreground Transmit Buffer 5
MSCAN_TXFG6	\$36	Foreground Transmit Buffer 6
MSCAN_TXFG7	\$37	Foreground Transmit Buffer 7
MSCAN_TXFG8	\$38	Foreground Transmit Buffer 8
MSCAN_TXFG9	\$39	Foreground Transmit Buffer 9
MSCAN_TXFG10	\$3A	Foreground Transmit Buffer 10
MSCAN_TXFG11	\$3B	Foreground Transmit Buffer 11
MSCAN_TXFG12	\$3C	Foreground Transmit Buffer 12
MSCAN_TXFG13	\$3D	Foreground Transmit Buffer 13
MSCAN_TXFG14	\$3E	Foreground Transmit Buffer 14
MSCAN_TXFG15	\$3F	Foreground Transmit Buffer 15
		Reserved

## Part 5 Interrupt Controller (ITCN)

### 5.1 Introduction

The Interrupt Controller (ITCN) module arbitrates between various interrupt requests (IRQs), signals to the 56800E core when an interrupt of sufficient priority exists, and to what address to jump in order to service this interrupt.

### 5.2 Features

The ITCN module design includes these distinctive features:

- Programmable priority levels for each IRQ
- Two programmable Fast Interrupts
- Notification to SIM module to restart clocks out of Wait and Stop modes
- Ability to drive initial address on the address bus after reset

For further information, see [Table 4-2](#), Interrupt Vector Table Contents.

### 5.3 Functional Description

The Interrupt Controller is a slave on the IPBus. It contains registers that allow each of the 64 interrupt sources to be set to one of four priority levels (excluding certain interrupts that are of fixed priority). Next, all of the interrupt requests of a given level are priority encoded to determine the lowest numerical value of the active interrupt requests for that level. Within a given priority level, number 0 is the highest priority and number 63 is the lowest.

### 5.3.1 Normal Interrupt Handling

Once the INTC has determined that an interrupt is to be serviced and which interrupt has the highest priority, an interrupt vector address is generated. Normal interrupt handling concatenates the Vector Base Address (VBA) and the vector number to determine the vector address, generating an offset into the vector table for each interrupt.

### 5.3.2 Interrupt Nesting

Interrupt exceptions may be nested to allow an IRQ of higher priority than the current exception to be serviced. The 56800E core controls the masking of interrupt priority levels it will accept by setting the I0 and I1 bits in its status register.

**Table 5-1 Interrupt Mask Bit Definition**

SR[9] (I1)	SR[8] (I0)	Exceptions Permitted	Exceptions Masked
0	0	Priorities 0, 1, 2, 3	None
0	1	Priorities 1, 2, 3	Priority 0
1	0	Priorities 2, 3	Priorities 0, 1
1	1	Priority 3	Priorities 0, 1, 2

The IPIC bits of the ICTRL register reflect the state of the priority level being presented to the 56800E core.

**Table 5-2 Interrupt Priority Encoding**

IPIC_VALUE[1:0]	Current Interrupt Priority Level	Required Nested Exception Priority
00	No interrupt or SWILP	Priorities 0, 1, 2, 3
01	Priority 0	Priorities 1, 2, 3
10	Priority 1	Priorities 2, 3
11	Priority 2 or 3	Priority 3

### 5.3.3 Fast Interrupt Handling

Fast interrupts are described in the **DSP56800E Reference Manual**. The interrupt controller recognizes Fast Interrupts before the core does.

A Fast Interrupt is defined (to the ITCN) by:

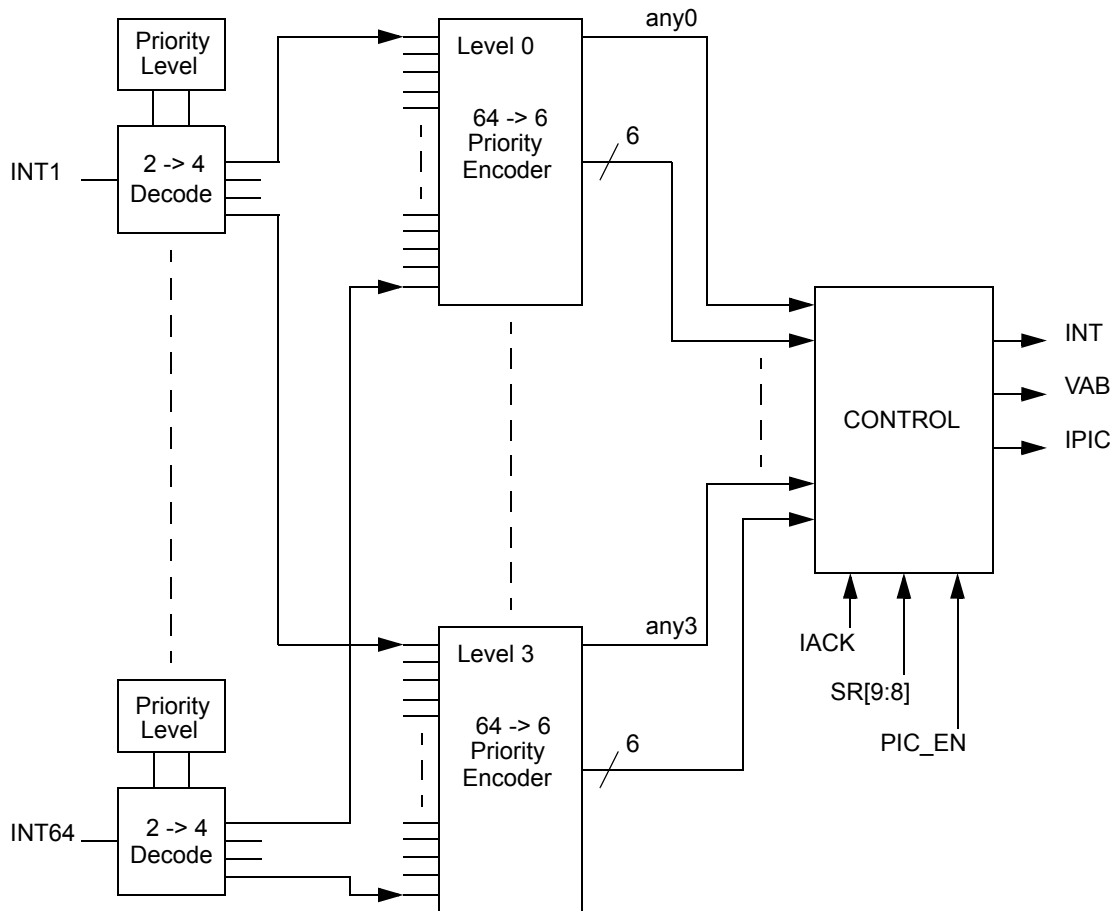
1. Setting the priority of the interrupt as level 2, with the appropriate field in the IPR registers
2. Setting the FIM $n$  register to the appropriate vector number

### 3. Setting the FIVAL $n$ and FIVAH $n$ registers with the address of the code for the Fast Interrupt

When an interrupt occurs, its vector number is compared with the FIM0 and FIM1 register values. If a match occurs, and it is a level 2 interrupt, the ITCN handles it as a Fast Interrupt. The ITCN takes the vector address from the appropriate FIVAL $n$  and FIVAH $n$  registers, instead of generating an address that is an offset from the VBA.

The core then fetches the instruction from the indicated vector address and if it is not a JSR, the core starts its Fast Interrupt handling.

## 5.4 Block Diagram



**Figure 5-1 Interrupt Controller Block Diagram**

## 5.5 Operating Modes

The ITCN module design contains two major modes of operation:

- **Functional Mode**  
The ITCN is in this mode by default.
- **Wait and Stop Modes**  
During Wait and Stop modes, the system clocks and the 56800E core are turned off. The ITCN will signal a pending IRQ to the System Integration Module (SIM) to restart the clocks and service the IRQ. An IRQ can only wake up the core if the IRQ is enabled prior to entering the Wait or Stop mode.

## 5.6 Register Descriptions

A register address is the sum of a base address and an address offset. The base address is defined at the system level and the address offset is defined at the module level.

**Table 5-3 ITCN Register Summary  
(ITCN\_BASE = \$00 F0E0)**

Register Acronym	Base Address +	Register Name	Section Location
IPR0	\$0	Interrupt Priority Register 0	<a href="#">5.6.1</a>
IPR1	\$1	Interrupt Priority Register 1	<a href="#">5.6.2</a>
IPR2	\$2	Interrupt Priority Register 2	<a href="#">5.6.3</a>
IPR3	\$3	Interrupt Priority Register 3	<a href="#">5.6.4</a>
IPR4	\$4	Interrupt Priority Register 4	<a href="#">5.6.5</a>
IPR5	\$5	Interrupt Priority Register 5	<a href="#">5.6.6</a>
IPR6	\$6	Interrupt Priority Register 6	<a href="#">5.6.7</a>
VBA	\$7	Vector Base Address Register	<a href="#">5.6.8</a>
FIM0	\$8	Fast Interrupt Match 0 Register	<a href="#">5.6.9</a>
FIVAL0	\$9	Fast Interrupt 0 Vector Address Low Register	<a href="#">5.6.10</a>
FIVAH0	\$A	Fast Interrupt 0 Vector Address High 0 Register	<a href="#">5.6.11</a>
FIM1	\$B	Fast Interrupt Match 1 Register	<a href="#">5.6.12</a>
FIVAL1	\$C	Fast Interrupt 1 Vector Address Low Register	<a href="#">5.6.13</a>
FIVAH1	\$D	Fast Interrupt 1 Vector Address High Register	<a href="#">5.6.14</a>
IRQP0	\$E	IRQ Pending Register 0	<a href="#">5.6.15</a>
IRQP1	\$F	IRQ Pending Register 1	<a href="#">5.6.16</a>
IRQP2	\$10	IRQ Pending Register 2	<a href="#">5.6.17</a>
IRQP3	\$11	IRQ Pending Register 3	<a href="#">5.6.18</a>
		Reserved	
ICTRL	\$16	Interrupt Control Register	<a href="#">5.6.19</a>
		Reserved	

Add. Offset	Register Name		15	14	13	12	11	10	9	8	7	6	5	4	3	2	1	0	
\$0	IPR0	R	PLL IPL		LVI IPL		0	0	RX_REG IPL		TX_REG IPL		TRBUF IPL		BKPT_U IPL		STPCNT IPL		
		W																	
\$1	IPR1	R	GPIOD IPL		MSCAN_WK UP IPL		MSCAN_TX IPL		MSCAN_RX IPL		MSCAN_ERR IPL		FM_CBE IPL		FM_CC IPL		FM_ERR IPL		
		W																	
\$2	IPR2	R	QSCI0_XMIT IPL		QSPI1_XMIT IPL		QSPI1_RCV IPL		QSPI0_XMIT IPL		QSPI0_RCV IPL		GPIOA IPL		GPIOB IPL		GPIOC IPL		
		W																	
\$3	IPR3	R	I2C_ERR IPL		QSCI1_RCV IPL		QSCI1_RERR R IPL		QSCI1_TIDL IPL		QSCI1_XMIT IPL		QSCI0_RCV IPL		QSCI0_RERR IPL		QSCI0_TIDL IPL		
		W																	
\$4	IPR4	R	TMRA_3 IPL		TMRA_2 IPL		TMRA_1 IPL		TMRA_0 IPL		I2C_STAT IPL		I2C_TX IPL		I2C_RX IPL		I2C_GEN IPL		
		W																	
\$5	IPR5	R	PIT1 IPL		PIT0 IPL		COMPB IPL		COMPA IPL		TMRB_3 IPL		TMRB_2 IPL		TMRB_1 IPL		TMRB_0 IPL		
		W																	
\$6	IPR6	R	0	0	0	0	PWM_F IPL		PWM_RL IPL		ADC_ZC IPL		ADCB_CC IPL		ADCA_CC IPL		PIT2 IPL		
		W																	
\$7	VBA	R	0	0	VECTOR_BASE_ADDRESS														
		W																	
\$8	FIM0	R	0	0	0	0	0	0	0	0	0	0	FAST INTERRUPT 0						
		W																	
\$9	FIVAL0	R	FAST INTERRUPT 0 VECTOR ADDRESS LOW																
		W																	
\$A	FIVAH0	R	0	0	0	0	0	0	0	0	0	0	0	0	FAST INTERRUPT 0 VECTOR ADDRESS HIGH				
		W																	
\$B	FIM1	R	0	0	0	0	0	0	0	0	0	0	FAST INTERRUPT 1						
		W																	
\$C	FIVAL1	R	FAST INTERRUPT 1 VECTOR ADDRESS LOW																
		W																	
\$D	FIVAH1	R	0	0	0	0	0	0	0	0	0	0	0	0	FAST INTERRUPT 1 VECTOR ADDRESS HIGH				
		W																	
\$E	IRQP0	R	PENDING[16:2]																1
		W																	
\$F	IRQP1	R	PENDING[32:17]																
		W																	
\$10	IRQP2	R	PENDING[48:33]																
		W																	
\$11	IRQP3	R	PENDING[63:49]																
		W																	
Reserved																			
\$16	ICTRL	R	INT	IPIC		VAB						INT_DIS	1	1	1	0	0		
		W																	
Reserved																			

= Reserved

**Figure 5-2 ITCN Register Map Summary**



## 5.6.1 Interrupt Priority Register 0 (IPR0)

Base + \$0	15	14	13	12	11	10	9	8	7	6	5	4	3	2	1	0
<b>Read</b>	PLL IPL		LVI IPL		0	0	RX_REG IPL		TX_REG IPL		TRBUF IPL		BKPT_U IPL		STPCNT IPL	
<b>Write</b>	PLL IPL		LVI IPL		0	0	RX_REG IPL		TX_REG IPL		TRBUF IPL		BKPT_U IPL		STPCNT IPL	
<b>RESET</b>	0	0	0	0	0	0	0	0	0	0	0	0	0	0	0	0

**Figure 5-3 Interrupt Priority Register 0 (IPR0)**

### 5.6.1.1 PLL Loss of Reference or Change in Lock Status Interrupt Priority Level (PLL IPL)—Bits 15–14

This field is used to set the interrupt priority levels for the PLL Loss of Reference or Change in Lock Status IRQ. This IRQ is limited to priorities 1 through 3. It is disabled by default.

- 00 = IRQ disabled (default)
- 01 = IRQ is priority level 1
- 10 = IRQ is priority level 2
- 11 = IRQ is priority level 3

### 5.6.1.2 Low Voltage Detector Interrupt Priority Level (LVI IPL)—Bits 13–12

This field is used to set the interrupt priority levels for the Low Voltage Detector IRQ. This IRQ is limited to priorities 1 through 3 and is disabled by default.

- 00 = IRQ disabled (default)
- 01 = IRQ is priority level 1
- 10 = IRQ is priority level 2
- 11 = IRQ is priority level 3

### 5.6.1.3 Reserved—Bits 11–10

This bit field is reserved. Each bit must be set to 0.

### 5.6.1.4 EOnCE Receive Register Full Interrupt Priority Level (RX\_REG IPL)— Bits 9–8

This field is used to set the interrupt priority level for the EOnCE Receive Register Full IRQ. This IRQ is limited to priorities 1 through 3. It is disabled by default.

- 00 = IRQ disabled (default)
- 01 = IRQ is priority level 1
- 10 = IRQ is priority level 2
- 11 = IRQ is priority level 3

### 5.6.1.5 EOnCE Transmit Register Empty Interrupt Priority Level (TX\_REG IPL)— Bits 7–6

This field is used to set the interrupt priority level for the EOnCE Transmit Register Empty IRQ. This IRQ is limited to priorities 1 through 3. It is disabled by default.

- 00 = IRQ disabled (default)
- 01 = IRQ is priority level 1
- 10 = IRQ is priority level 2
- 11 = IRQ is priority level 3

### 5.6.1.6 EOnCE Trace Buffer Interrupt Priority Level (TRBUF IPL)— Bits 5–4

This field is used to set the interrupt priority level for the EOnCE Trace Buffer IRQ. This IRQ is limited to priorities 1 through 3. It is disabled by default.

- 00 = IRQ disabled (default)
- 01 = IRQ is priority level 1
- 10 = IRQ is priority level 2
- 11 = IRQ is priority level 3

### 5.6.1.7 EOnCE Breakpoint Unit Interrupt Priority Level (BKPT\_U IPL)— Bits 3–2

This field is used to set the interrupt priority level for the EOnCE Breakpoint Unit IRQ. This IRQ is limited to priorities 1 through 3. It is disabled by default.

- 00 = IRQ disabled (default)
- 01 = IRQ is priority level 1
- 10 = IRQ is priority level 2
- 11 = IRQ is priority level 3

### 5.6.1.8 EOnCE Step Counter Interrupt Priority Level (STPCNT IPL)— Bits 1–0

This field is used to set the interrupt priority level for the EOnCE Step Counter IRQ. This IRQ is limited to priorities 1 through 3. It is disabled by default.

- 00 = IRQ disabled (default)
- 01 = IRQ is priority level 1
- 10 = IRQ is priority level 2
- 11 = IRQ is priority level 3

## 5.6.2 Interrupt Priority Register 1 (IPR1)

Base + \$1	15	14	13	12	11	10	9	8	7	6	5	4	3	2	1	0
Read	GPIOD IPL		MSCAN_WK UP IPL		MSCAN_TX IPL		MSCAN_RX IPL		MSCAN_ERR IPL		FM_CBE IPL		FM_CC IPL		FM_ERR IPL	
Write																
RESET	0	0	0	0	0	0	0	0	0	0	0	0	0	0	0	0

**Figure 5-4 Interrupt Priority Register 1 (IPR1)**

### 5.6.2.1 GPIOD Interrupt Priority Level (GPIOD IPL)—Bits 15–14

This field is used to set the interrupt priority level for the GPIOD IRQ. This IRQ is limited to priorities 0 through 2. It is disabled by default.

- 00 = IRQ disabled (default)
- 01 = IRQ is priority level 0
- 10 = IRQ is priority level 1
- 11 = IRQ is priority level 2

### 5.6.2.2 MSCAN Wake Up Interrupt Priority Level (MSCAN\_WKUP IPL)—Bits 13–12

This field is used to set the interrupt priority level for the MSCAN Wake Up IRQ. This IRQ is limited to priorities 0 through 2. It is disabled by default.

- 00 = IRQ disabled (default)
- 01 = IRQ is priority level 0
- 10 = IRQ is priority level 1
- 11 = IRQ is priority level 2

### 5.6.2.3 MSCAN Transmit Interrupt Priority Level (MSCAN\_TX IPL)—Bits 11–10

This field is used to set the interrupt priority level for the MSCAN Transmit IRQ. This IRQ is limited to priorities 0 through 2. It is disabled by default.

- 00 = IRQ disabled (default)
- 01 = IRQ is priority level 0
- 10 = IRQ is priority level 1
- 11 = IRQ is priority level 2

### 5.6.2.4 MSCAN Receive Interrupt Priority Level (MSCAN\_RX IPL)—Bits 9–8

This field is used to set the interrupt priority level for MSCAN Receive IRQ. This IRQ is limited to priorities 0 through 2. It is disabled by default.

- 00 = IRQ disabled (default)
- 01 = IRQ is priority level 0
- 10 = IRQ is priority level 1



- 11 = IRQ is priority level 2

### 5.6.2.5 MSCAN Error Interrupt Priority Level (MSCAN\_ERR IPL)—Bits 7–6

This field is used to set the interrupt priority level for the MSCAN Error IRQ. This IRQ is limited to priorities 0 through 2. It is disabled by default.

- 00 = IRQ disabled (default)
- 01 = IRQ is priority level 0
- 10 = IRQ is priority level 1
- 11 = IRQ is priority level 2

### 5.6.2.6 FM Command, Data, Address Buffers Empty Interrupt Priority Level (FM\_CBE IPL)—Bits 5–4

This field is used to set the interrupt priority level for the FM Command, Data Address Buffers Empty IRQ. This IRQ is limited to priorities 0 through 2. It is disabled by default.

- 00 = IRQ disabled (default)
- 01 = IRQ is priority level 0
- 10 = IRQ is priority level 1
- 11 = IRQ is priority level 2

### 5.6.2.7 FM Command Complete Interrupt Priority Level (FM\_CC IPL)—Bits 3–2

This field is used to set the interrupt priority level for the FM Command Complete IRQ. This IRQ is limited to priorities 0 through 2. It is disabled by default.

- 00 = IRQ disabled (default)
- 01 = IRQ is priority level 0
- 10 = IRQ is priority level 1
- 11 = IRQ is priority level 2

### 5.6.2.8 FM Error Interrupt Priority Level (FM\_ERR IPL)—Bits 1–0

This field is used to set the interrupt priority level for the FM Error IRQ. This IRQ is limited to priorities 0 through 2. It is disabled by default.

- 00 = IRQ disabled (default)
- 01 = IRQ is priority level 0
- 10 = IRQ is priority level 1
- 11 = IRQ is priority level 2

### 5.6.3 Interrupt Priority Register 2 (IPR2)

Base + \$2	15	14	13	12	11	10	9	8	7	6	5	4	3	2	1	0
<b>Read</b>	QSCI0_XMIT IPL		QSPI1_XMIT IPL		QSPI1_RCV IPL		QSPI0_XMIT IPL		QSPI0_RCV IPL		GPIOA IPL		GPIOB IPL		GPIOC IPL	
<b>Write</b>	QSCI0_XMIT IPL		QSPI1_XMIT IPL		QSPI1_RCV IPL		QSPI0_XMIT IPL		QSPI0_RCV IPL		GPIOA IPL		GPIOB IPL		GPIOC IPL	
<b>RESET</b>	0	0	0	0	0	0	0	0	0	0	0	0	0	0	0	0

Figure 5-5 Interrupt Priority Register 2 (IPR2)

#### 5.6.3.1 QSCI 0 Transmitter Empty Interrupt Priority Level (QSCI0\_XMIT IPL)— Bits 15–14

This field is used to set the interrupt priority level for the QSCI0 Transmitter Empty IRQ. This IRQ is limited to priorities 0 through 2. It is disabled by default.

- 00 = IRQ disabled (default)
- 01 = IRQ is priority level 0
- 10 = IRQ is priority level 1
- 11 = IRQ is priority level 2

#### 5.6.3.2 QSPI 1 Transmitter Empty Interrupt Priority Level (QSPI1\_XMIT IPL)— Bits 13–12

This field is used to set the interrupt priority level for the QSPI1 Transmitter Empty IRQ. This IRQ is limited to priorities 0 through 2. It is disabled by default.

- 00 = IRQ disabled (default)
- 01 = IRQ is priority level 0
- 10 = IRQ is priority level 1
- 11 = IRQ is priority level 2

#### 5.6.3.3 QSPI 1 Receiver Full Interrupt Priority Level (QSPI1\_RCV IPL)— Bits 11–10

This field is used to set the interrupt priority level for the QSPI1 Receiver Full IRQ. This IRQ is limited to priorities 0 through 2. It is disabled by default.

- 00 = IRQ disabled (default)
- 01 = IRQ is priority level 0
- 10 = IRQ is priority level 1
- 11 = IRQ is priority level 2

#### 5.6.3.4 QSPI 0 Transmitter Empty Interrupt Priority Level (QSPI0\_XMIT IPL)— Bits 9–8

This field is used to set the interrupt priority level for the QSPI0 Transmitter Empty IRQ. This IRQ is limited to priorities 0 through 2. It is disabled by default.



- 00 = IRQ disabled (default)
- 01 = IRQ is priority level 0
- 10 = IRQ is priority level 1
- 11 = IRQ is priority level 2

### 5.6.3.5 QSPI 0 Receiver Full Interrupt Priority Level (QSPI0\_RCV IPL)—Bits 7–6

This field is used to set the interrupt priority level for the QSPI0 Receiver Full IRQ. This IRQ is limited to priorities 0 through 2. It is disabled by default.

- 00 = IRQ disabled (default)
- 01 = IRQ is priority level 0
- 10 = IRQ is priority level 1
- 11 = IRQ is priority level 2

### 5.6.3.6 GPIOA Interrupt Priority Level (GPIOA IPL)—Bits 5–4

This field is used to set the interrupt priority level for the GPIOA IRQ. This IRQ is limited to priorities 0 through 2. It is disabled by default.

- 00 = IRQ disabled (default)
- 01 = IRQ is priority level 0
- 10 = IRQ is priority level 1
- 11 = IRQ is priority level 2

### 5.6.3.7 GPIOB Interrupt Priority Level (GPIOB IPL)—Bits 3–2

This field is used to set the interrupt priority level for the GPIOB IRQ. This IRQ is limited to priorities 0 through 2. It is disabled by default.

- 00 = IRQ disabled (default)
- 01 = IRQ is priority level 0
- 10 = IRQ is priority level 1
- 11 = IRQ is priority level 2

### 5.6.3.8 GPIOC Interrupt Priority Level (GPIOC IPL)—Bits 1–0

This field is used to set the interrupt priority level for the GPIOC IRQ. This IRQ is limited to priorities 0 through 2. It is disabled by default.

- 00 = IRQ disabled (default)
- 01 = IRQ is priority level 0
- 10 = IRQ is priority level 1
- 11 = IRQ is priority level 2

## 5.6.4 Interrupt Priority Register 3 (IPR3)

Base + \$3	15	14	13	12	11	10	9	8	7	6	5	4	3	2	1	0
<b>Read</b>	I2C_ERR IPL		QSCI1_RCV IPL		QSCI1_RERR IPL		QSCI1_TIDL IPL		QSCI1_XMIT IPL		QSCI0_RCV IPL		QSCI0_RERR IPL		QSCI0_TIDL IPL	
<b>Write</b>																
<b>RESET</b>	0	0	0	0	0	0	0	0	0	0	0	0	0	0	0	0

**Figure 5-6 Interrupt Priority Register 3 (IPR3)**

### 5.6.4.1 I<sup>2</sup>C Error Interrupt Priority Level (I2C\_ERR IPL)—Bits 15–14

This field is used to set the interrupt priority level for the I<sup>2</sup>C Error IRQ. This IRQ is limited to priorities 0 through 2. It is disabled by default.

- 00 = IRQ disabled (default)
- 01 = IRQ is priority level 0
- 10 = IRQ is priority level 1
- 11 = IRQ is priority level 2

### 5.6.4.2 QSCI 1 Receiver Full Interrupt Priority Level (QSCI1\_RCV IPL)—Bits 13–12

This field is used to set the interrupt priority level for the QSCI1 Receiver Full IRQ. This IRQ is limited to priorities 0 through 2. It is disabled by default.

- 00 = IRQ disabled (default)
- 01 = IRQ is priority level 0
- 10 = IRQ is priority level 1
- 11 = IRQ is priority level 2

### 5.6.4.3 QSCI 1 Receiver Error Interrupt Priority Level (QSCI1\_RERR IPL)—Bits 11–10

This field is used to set the interrupt priority level for the QSCI1 Receiver Error IRQ. This IRQ is limited to priorities 0 through 2. It is disabled by default.

- 00 = IRQ disabled (default)
- 01 = IRQ is priority level 0
- 10 = IRQ is priority level 1
- 11 = IRQ is priority level 2

### 5.6.4.4 QSCI 1 Transmitter Idle Interrupt Priority Level (QSCI1\_TIDL IPL)—Bits 9–8

This field is used to set the interrupt priority level for the QSCI1 Transmitter Idle IRQ. This IRQ is limited to priorities 0 through 2. It is disabled by default.

- 00 = IRQ disabled (default)
- 01 = IRQ is priority level 0
- 10 = IRQ is priority level 1



- 11 = IRQ is priority level 2

#### **5.6.4.5 QSCI 1 Transmitter Empty Interrupt Priority Level (QSCI1\_XMIT IPL)—Bits 7–6**

This field is used to set the interrupt priority level for the QSCI1 Transmitter Empty IRQ. This IRQ is limited to priorities 0 through 2. It is disabled by default.

- 00 = IRQ disabled (default)
- 01 = IRQ is priority level 0
- 10 = IRQ is priority level 1
- 11 = IRQ is priority level 2

#### **5.6.4.6 QSCI 0 Receiver Full Interrupt Priority Level (QSCI0\_RCV IPL)—Bits 5–4**

This field is used to set the interrupt priority level for the QSCI0 Receiver Full IRQ. This IRQ is limited to priorities 0 through 2. It is disabled by default.

- 00 = IRQ disabled (default)
- 01 = IRQ is priority level 0
- 10 = IRQ is priority level 1
- 11 = IRQ is priority level 2

#### **5.6.4.7 QSCI 0 Receiver Error Interrupt Priority Level (QSCI0\_RERR IPL)—Bits 3–2**

This field is used to set the interrupt priority level for the QSCI0 Receiver Error IRQ. This IRQ is limited to priorities 0 through 2. It is disabled by default.

- 00 = IRQ disabled (default)
- 01 = IRQ is priority level 0
- 10 = IRQ is priority level 1
- 11 = IRQ is priority level 2

#### **5.6.4.8 QSCI 0 Transmitter Idle Interrupt Priority Level (QSCI0\_TIDL IPL)—Bits 1–0**

This field is used to set the interrupt priority level for the QSCI0 Transmitter Idle IRQ. This IRQ is limited to priorities 0 through 2. It is disabled by default.

- 00 = IRQ disabled (default)
- 01 = IRQ is priority level 0
- 10 = IRQ is priority level 1
- 11 = IRQ is priority level 2



## 5.6.5 Interrupt Priority Register 4 (IPR4)

Base + \$4	15	14	13	12	11	10	9	8	7	6	5	4	3	2	1	0
Read	TMRA_3 IPL		TMRA_2 IPL		TMRA_1 IPL		TMRA_0 IPL		I2C_STAT IPL		I2C_TX IPL		I2C_RX IPL		I2C_GEN IPL	
Write	TMRA_3 IPL		TMRA_2 IPL		TMRA_1 IPL		TMRA_0 IPL		I2C_STAT IPL		I2C_TX IPL		I2C_RX IPL		I2C_GEN IPL	
RESET	0	0	0	0	0	0	0	0	0	0	0	0	0	0	0	0

Figure 5-7 Interrupt Priority Register 4 (IPR4)

### 5.6.5.1 Timer A, Channel 3 Interrupt Priority Level (TMRA\_3 IPL)— Bits 15–14

This field is used to set the interrupt priority level for the Timer A, Channel 3 IRQ. This IRQ is limited to priorities 0 through 2. It is disabled by default.

- 00 = IRQ disabled (default)
- 01 = IRQ is priority level 0
- 10 = IRQ is priority level 1
- 11 = IRQ is priority level 2

### 5.6.5.2 Timer A, Channel 2 Interrupt Priority Level (TMRA\_2 IPL)— Bits 13–12

This field is used to set the interrupt priority level for the Timer A, Channel 2 IRQ. This IRQ is limited to priorities 0 through 2. It is disabled by default.

- 00 = IRQ disabled (default)
- 01 = IRQ is priority level 0
- 10 = IRQ is priority level 1
- 11 = IRQ is priority level 2

### 5.6.5.3 Timer A, Channel 1 Interrupt Priority Level (TMRA\_1 IPL)— Bits 11–10

This field is used to set the interrupt priority level for the Timer A, Channel 1 IRQ. This IRQ is limited to priorities 0 through 2. It is disabled by default.

- 00 = IRQ disabled (default)
- 01 = IRQ is priority level 0
- 10 = IRQ is priority level 1
- 11 = IRQ is priority level 2

#### 5.6.5.4 Timer A, Channel 0 Interrupt Priority Level (TMRA\_0 IPL)—Bits 9–8

This field is used to set the interrupt priority level for the Timer A, Channel 0 IRQ. This IRQ is limited to priorities 0 through 2. It is disabled by default.

- 00 = IRQ disabled (default)
- 01 = IRQ is priority level 0
- 10 = IRQ is priority level 1
- 11 = IRQ is priority level 2

#### 5.6.5.5 I<sup>2</sup>C Status Interrupt Priority Level (I2C\_STAT IPL)—Bits 7–6

This field is used to set the interrupt priority level for the I<sup>2</sup>C Status IRQ. This IRQ is limited to priorities 0 through 2. It is disabled by default.

- 00 = IRQ disabled (default)
- 01 = IRQ is priority level 0
- 10 = IRQ is priority level 1
- 11 = IRQ is priority level 2

#### 5.6.5.6 I<sup>2</sup>C Transmit Interrupt Priority Level (I2C\_TX IPL)—Bits 5–4

This field is used to set the interrupt priority level for the I<sup>2</sup>C Transmit IRQ. This IRQ is limited to priorities 0 through 2. It is disabled by default.

- 00 = IRQ disabled (default)
- 01 = IRQ is priority level 0
- 10 = IRQ is priority level 1
- 11 = IRQ is priority level 2

#### 5.6.5.7 I<sup>2</sup>C Receive Interrupt Priority Level (I2C\_RX IPL)—Bits 3–2

This field is used to set the interrupt priority level for the I<sup>2</sup>C Receiver IRQ. This IRQ is limited to priorities 0 through 2. It is disabled by default.

- 00 = IRQ disabled (default)
- 01 = IRQ is priority level 0
- 10 = IRQ is priority level 1
- 11 = IRQ is priority level 2

#### 5.6.5.8 I<sup>2</sup>C General Call Interrupt Priority Level (I2C\_GEN IPL)—Bits 1–0

This field is used to set the interrupt priority level for the I<sup>2</sup>C General Call IRQ. This IRQ is limited to priorities 0 through 2. It is disabled by default.

- 00 = IRQ disabled (default)
- 01 = IRQ is priority level 0

- 10 = IRQ is priority level 1
- 11 = IRQ is priority level 2

## 5.6.6 Interrupt Priority Register 5 (IPR5)

Base + \$5	15	14	13	12	11	10	9	8	7	6	5	4	3	2	1	0
<b>Read</b>	PIT1 IPL		PIT0 IPL		COMPB IPL		COMPA IPL		TMRB_3 IPL		TMRB_2 IPL		TMRB_1 IPL		TMRB_0 IPL	
<b>Write</b>	PIT1 IPL		PIT0 IPL		COMPB IPL		COMPA IPL		TMRB_3 IPL		TMRB_2 IPL		TMRB_1 IPL		TMRB_0 IPL	
<b>RESET</b>	0	0	0	0	0	0	0	0	0	0	0	0	0	0	0	0

Figure 5-8 Interrupt Priority Register 5 (IPR6)

### 5.6.6.1 Programmable Interval Timer 1 Interrupt Priority Level (PIT1 IPL)— Bits 15–14

This field is used to set the interrupt priority level for the Programmable Interval Timer 1 IRQ. This IRQ is limited to priorities 0 through 2. It is disabled by default.

- 00 = IRQ disabled (default)
- 01 = IRQ is priority level 0
- 10 = IRQ is priority level 1
- 11 = IRQ is priority level 2

### 5.6.6.2 Programmable Interval Timer 0 Interrupt Priority Level (PIT0 IPL)— Bits 13–12

This field is used to set the interrupt priority level for the Programmable Interval Timer 0 IRQ. This IRQ is limited to priorities 0 through 2. It is disabled by default.

- 00 = IRQ disabled (default)
- 01 = IRQ is priority level 0
- 10 = IRQ is priority level 1
- 11 = IRQ is priority level 2

### 5.6.6.3 Comparator B Interrupt Priority Level (COMPB IPL)— Bits 11–10

This field is used to set the interrupt priority level for the Comparator B IRQ. This IRQ is limited to priorities 0 through 2. It is disabled by default.

- 00 = IRQ disabled (default)
- 01 = IRQ is priority level 0
- 10 = IRQ is priority level 1
- 11 = IRQ is priority level 2

#### 5.6.6.4 Comparator A Interrupt Priority Level (COMPA IPL)—Bits 9–8

This field is used to set the interrupt priority level for the Comparator IRQ. This IRQ is limited to priorities 0 through 2. It is disabled by default.

- 00 = IRQ disabled (default)
- 01 = IRQ is priority level 0
- 10 = IRQ is priority level 1
- 11 = IRQ is priority level 2

#### 5.6.6.5 Timer B, Channel 3 Interrupt Priority Level (TMRB\_3 IPL)—Bits 7–6

This field is used to set the interrupt priority level for the Timer B, Channel 3 IRQ. This IRQ is limited to priorities 0 through 2. It is disabled by default.

- 00 = IRQ disabled (default)
- 01 = IRQ is priority level 0
- 10 = IRQ is priority level 1
- 11 = IRQ is priority level 2

#### 5.6.6.6 Timer B, Channel 2 Interrupt Priority Level (TMRB\_2 IPL)—Bits 5–4

This field is used to set the interrupt priority level for the Timer B, Channel 2 IRQ. This IRQ is limited to priorities 0 through 2. It is disabled by default.

- 00 = IRQ disabled (default)
- 01 = IRQ is priority level 0
- 10 = IRQ is priority level 1
- 11 = IRQ is priority level 2

#### 5.6.6.7 Timer B, Channel 1 Interrupt Priority Level (TMRB\_1 IPL)—Bits 3–2

This field is used to set the interrupt priority level for the Timer B, Channel 1 IRQ. This IRQ is limited to priorities 0 through 2. It is disabled by default.

- 00 = IRQ disabled (default)
- 01 = IRQ is priority level 0
- 10 = IRQ is priority level 1
- 11 = IRQ is priority level 2

#### 5.6.6.8 Timer B, Channel 0 Interrupt Priority Level (TMRB\_0 IPL)—Bits 1–0

This field is used to set the interrupt priority level for the Timer B, Channel 0 IRQ. This IRQ is limited to priorities 0 through 2. It is disabled by default.

- 00 = IRQ disabled (default)
- 01 = IRQ is priority level 0
- 10 = IRQ is priority level 1

- 11 = IRQ is priority level 2

## 5.6.7 Interrupt Priority Register 6 (IPR6)

Base + \$6	15	14	13	12	11	10	9	8	7	6	5	4	3	2	1	0
Read	0	0	0	0	PWM_F IPL		PWM_RL IPL		ADC_ZC IPL		ADCB_CC IPL		ADCA_CC IPL		PIT2 IPL	
Write																
RESET	0	0	0	0	0	0	0	0	0	0	0	0	0	0	0	0

Figure 5-9 Interrupt Priority Register 6 (IPR6)

### 5.6.7.1 Reserved—Bits 15–12

This bit field is reserved. Each bit must be set to 0.

### 5.6.7.2 PWM Fault Interrupt Priority Level (PWM\_F IPL)—Bits 11–10

This field is used to set the interrupt priority level for the PWM Fault Interrupt IRQ. This IRQ is limited to priorities 0 through 2. It is disabled by default.

- 00 = IRQ disabled (default)
- 01 = IRQ is priority level 0
- 10 = IRQ is priority level 1
- 11 = IRQ is priority level 2

### 5.6.7.3 Reload PWM Interrupt Priority Level (PWM\_RL IPL)—Bits 9–8

This field is used to set the interrupt priority level for the Reload PWM Interrupt IRQ. This IRQ is limited to priorities 0 through 2. It is disabled by default.

- 00 = IRQ disabled (default)
- 01 = IRQ is priority level 0
- 10 = IRQ is priority level 1
- 11 = IRQ is priority level 2

### 5.6.7.4 ADC Zero Crossing Interrupt Priority Level (ADC\_ZC IPL)—Bits 7–6

This field is used to set the interrupt priority level for the ADC Zero Crossing IRQ. This IRQ is limited to priorities 0 through 2. It is disabled by default.

- 00 = IRQ disabled (default)
- 01 = IRQ is priority level 0
- 10 = IRQ is priority level 1
- 11 = IRQ is priority level 2

### 5.6.7.5 ADC B Conversion Complete Interrupt Priority Level (ADCB\_CC IPL)—Bits 5–4

This field is used to set the interrupt priority level for the ADC B Conversion Complete IRQ. This IRQ is limited to priorities 0 through 2. It is disabled by default.

- 00 = IRQ disabled (default)
- 01 = IRQ is priority level 0
- 10 = IRQ is priority level 1
- 11 = IRQ is priority level 2

### 5.6.7.6 ADC A Conversion Complete Interrupt Priority Level (ADCA\_CC IPL)—Bits 3–2

This field is used to set the interrupt priority level for the ADC A Conversion Complete IRQ. This IRQ is limited to priorities 0 through 2. It is disabled by default.

- 00 = IRQ disabled (default)
- 01 = IRQ is priority level 0
- 10 = IRQ is priority level 1
- 11 = IRQ is priority level 2

### 5.6.7.7 Programmable Interval Timer 2 Interrupt Priority Level (PIT2 IPL)—Bits 1–0

This field is used to set the interrupt priority level for the Programmable Interval Timer 2 IRQ. This IRQ is limited to priorities 0 through 2. It is disabled by default.

- 00 = IRQ disabled (default)
- 01 = IRQ is priority level 0
- 10 = IRQ is priority level 1
- 11 = IRQ is priority level 2

## 5.6.8 Vector Base Address Register (VBA)

Base + \$7	15	14	13	12	11	10	9	8	7	6	5	4	3	2	1	0
Read	0	0	VECTOR_BASE_ADDRESS													
Write																
RESET <sup>1</sup>	0	0	0	0	0	0	0	0	0	0	0	0	0	0	0	0

1. The 56F8037 resets to a value of 0x0000. This corresponds to reset addresses of 0x000000.  
The 56F8027 resets to a value of 0x0080. This corresponds to reset addresses of 0x004000.

**Figure 5-10 Vector Base Address Register (VBA)**

### 5.6.8.1 Reserved—Bits 15–14

This bit field is reserved. Each bit must be set to 0.

### 5.6.8.2 Vector Address Bus (VAB) Bits 13–0

The value in this register is used as the upper 14 bits of the interrupt vector VAB[20:0]. The lower 7 bits are determined based on the highest priority interrupt and are then appended onto VBA before presenting the full VAB to the Core.

## 5.6.9 Fast Interrupt Match 0 Register (FIM0)

Base + \$8	15	14	13	12	11	10	9	8	7	6	5	4	3	2	1	0
Read	0	0	0	0	0	0	0	0	0	0	FAST INTERRUPT 0					
Write																
RESET	0	0	0	0	0	0	0	0	0	0	0	0	0	0	0	0

Figure 5-11 Fast Interrupt Match 0 Register (FIM0)

### 5.6.9.1 Reserved—Bits 15–6

This bit field is reserved. Each bit must be set to 0.

### 5.6.9.2 Fast Interrupt 0 Vector Number (FAST INTERRUPT 0)—Bits 5–0

These values determine which IRQ will be Fast Interrupt 0. Fast Interrupts vector directly to a service routine based on values in the Fast Interrupt Vector Address registers without having to go to a jump table first. IRQs used as Fast Interrupts *must* be set to priority level 2. Unexpected results will occur if a Fast Interrupt vector is set to any other priority. A Fast Interrupt automatically becomes the highest-priority level 2 interrupt regardless of its location in the interrupt table prior to being declared as Fast Interrupt. Fast Interrupt 0 has priority over Fast Interrupt 1. To determine the vector number of each IRQ, refer to the vector table.

## 5.6.10 Fast Interrupt 0 Vector Address Low Register (FIVAL0)

Base + \$9	15	14	13	12	11	10	9	8	7	6	5	4	3	2	1	0
Read	FAST INTERRUPT 0 VECTOR ADDRESS LOW															
Write																
RESET	0	0	0	0	0	0	0	0	0	0	0	0	0	0	0	0

Figure 5-12 Fast Interrupt 0 Vector Address Low Register (FIVAL0)

### 5.6.10.1 Fast Interrupt 0 Vector Address Low (FIVAL0)—Bits 15–0

The lower 16 bits of the vector address used for Fast Interrupt 0. This register is combined with FIVAH0 to form the 21-bit vector address for Fast Interrupt 0 defined in the FIM0 register.

### 5.6.11 Fast Interrupt 0 Vector Address High Register (FIVAH0)

Base + \$A	15	14	13	12	11	10	9	8	7	6	5	4	3	2	1	0
Read	0	0	0	0	0	0	0	0	0	0	0	FAST INTERRUPT 0 VECTOR ADDRESS HIGH				
Write																
RESET	0	0	0	0	0	0	0	0	0	0	0	0	0	0	0	0

Figure 5-13 Fast Interrupt 0 Vector Address High Register (FIVAH0)

#### 5.6.11.1 Reserved—Bits 15–5

This bit field is reserved. Each bit must be set to 0.

#### 5.6.11.2 Fast Interrupt 0 Vector Address High (FIVAH0)—Bits 4–0

The upper five bits of the vector address used for Fast Interrupt 0. This register is combined with FIVAL0 to form the 21-bit vector address for Fast Interrupt 0 defined in the FIM0 register.

### 5.6.12 Fast Interrupt 1 Match Register (FIM1)

Base + \$B	15	14	13	12	11	10	9	8	7	6	5	4	3	2	1	0
Read	0	0	0	0	0	0	0	0	0	0	FAST INTERRUPT 1					
Write																
RESET	0	0	0	0	0	0	0	0	0	0	0	0	0	0	0	0

Figure 5-14 Fast Interrupt 1 Match Register (FIM1)

#### 5.6.12.1 Reserved—Bits 15–6

This bit field is reserved. Each bit must be set to 0.

#### 5.6.12.2 Fast Interrupt 1 Vector Number (FAST INTERRUPT 1)—Bits 5–0

These values determine which IRQ will be Fast Interrupt 1. Fast Interrupts vector directly to a service routine based on values in the Fast Interrupt Vector Address registers without having to go to a jump table first. IRQs used as Fast Interrupts *must* be set to priority level 2. Unexpected results will occur if a Fast Interrupt vector is set to any other priority. A Fast Interrupt automatically becomes the highest priority level 2 interrupt, regardless of its location in the interrupt table prior to being declared as Fast Interrupt. Fast Interrupt 0 has priority over Fast Interrupt 1. To determine the vector number of each IRQ, refer to the vector table.

### 5.6.13 Fast Interrupt 1 Vector Address Low Register (FIVAL1)

Base + \$C	15	14	13	12	11	10	9	8	7	6	5	4	3	2	1	0
Read	FAST INTERRUPT 1 VECTOR ADDRESS LOW															
Write																
RESET	0	0	0	0	0	0	0	0	0	0	0	0	0	0	0	0

Figure 5-15 Fast Interrupt 1 Vector Address Low Register (FIVAL1)



### 5.6.13.1 Fast Interrupt 1 Vector Address Low (FIVAL1)—Bits 15–0

The lower 16 bits of the vector address used for Fast Interrupt 1. This register is combined with FIVAH1 to form the 21-bit vector address for Fast Interrupt 1 defined in the FIM1 register.

### 5.6.14 Fast Interrupt 1 Vector Address High (FIVAH1)

Base + \$D	15	14	13	12	11	10	9	8	7	6	5	4	3	2	1	0
Read	0	0	0	0	0	0	0	0	0	0	0	FAST INTERRUPT 1 VECTOR ADDRESS HIGH				
Write																
RESET	0	0	0	0	0	0	0	0	0	0	0	0	0	0	0	0

Figure 5-16 Fast Interrupt 1 Vector Address High Register (FIVAH1)

#### 5.6.14.1 Reserved—Bits 15–5

This bit field is reserved. Each bit must be set to 0.

#### 5.6.14.2 Fast Interrupt 1 Vector Address High (FIVAH1)—Bits 4–0

The upper five bits of the vector address used for Fast Interrupt 1. This register is combined with FIVAL1 to form the 21-bit vector address for Fast Interrupt 1 defined in the FIM1 register.

### 5.6.15 IRQ Pending Register 0 (IRQP0)

Base + \$E	15	14	13	12	11	10	9	8	7	6	5	4	3	2	1	0
Read	PENDING[16:2]															1
Write																
RESET	1	1	1	1	1	1	1	1	1	1	1	1	1	1	1	1

Figure 5-17 IRQ Pending Register 0 (IRQP0)

#### 5.6.15.1 IRQ Pending (PENDING)—Bits 16–2

This register bit values represent the pending IRQs for interrupt vector numbers 2 through 16. Ascending IRQ numbers correspond to ascending bit locations.

- 0 = IRQ pending for this vector number
- 1 = No IRQ pending for this vector number

#### 5.6.15.2 Reserved—Bit 0

This bit field is reserved. It must be set to 0.

## 5.6.16 IRQ Pending Register 1 (IRQP1)

Base + \$F	15	14	13	12	11	10	9	8	7	6	5	4	3	2	1	0
Read	PENDING[32:17]															
Write																
RESET	1	1	1	1	1	1	1	1	1	1	1	1	1	1	1	1

Figure 5-18 IRQ Pending Register 1 (IRQP1)

### 5.6.16.1 IRQ Pending (PENDING)—Bits 32–17

This register bit values represent the pending IRQs for interrupt vector numbers 17 through 32. Ascending IRQ numbers correspond to ascending bit locations.

- 0 = IRQ pending for this vector number
- 1 = No IRQ pending for this vector number

## 5.6.17 IRQ Pending Register 2 (IRQP2)

Base + \$10	15	14	13	12	11	10	9	8	7	6	5	4	3	2	1	0
Read	PENDING[48:33]															
Write																
RESET	1	1	1	1	1	1	1	1	1	1	1	1	1	1	1	1

Figure 5-19 IRQ Pending Register 2 (IRQP2)

### 5.6.17.1 IRQ Pending (PENDING)—Bits 48–33

This register bit values represent the pending IRQs for interrupt vector numbers 33 through 48. Ascending IRQ numbers correspond to ascending bit locations.

- 0 = IRQ pending for this vector number
- 1 = No IRQ pending for this vector number

## 5.6.18 IRQ Pending Register 3 (IRQP3)

Base + \$11	15	14	13	12	11	10	9	8	7	6	5	4	3	2	1	0
Read	1	PENDING[63:49]														
Write																
RESET	1	1	1	1	1	1	1	1	1	1	1	1	1	1	1	1

Figure 5-20 IRQ Pending Register 3 (IRQP3)

### 5.6.18.1 IRQ Pending (PENDING)—Bits 63–49

This register bit values represent the pending IRQs for interrupt vector numbers 49 through 63. Ascending IRQ numbers correspond to ascending bit locations.

- 0 = IRQ pending for this vector number
- 1 = No IRQ pending for this vector number

### 5.6.18.2 Reserved—Bit 15

This bit field is reserved. When it is read, it has a value of 1.

## 5.6.19 Interrupt Control Register (ICTRL)

\$Base + \$16	15	14	13	12	11	10	9	8	7	6	5	4	3	2	1	0	
<b>Read</b>	INT	IPIC		VAB								INT_	1	1	1	0	0
<b>Write</b>											DIS						
<b>RESET</b>	0	0	0	0	0	0	0	0	0	0	0	1	1	1	0	0	

Figure 5-21 Interrupt Control Register (ICTRL)

### 5.6.19.1 Interrupt (INT)—Bit 15

This *read-only* bit reflects the state of the interrupt to the 56800E core.

- 0 = No interrupt is being sent to the 56800E core
- 1 = An interrupt is being sent to the 56800E core

### 5.6.19.2 Interrupt Priority Level (IPIC)—Bits 14–13

These *read-only* bits reflect the state of the new interrupt priority level bits being presented to the 56800E core. These bits indicate the priority level needed for a new IRQ to interrupt the current interrupt being sent to the 56800E core. This field is only updated when the 56800E core jumps to a new interrupt service routine.

**Note:** Nested interrupts may cause this field to be updated before the original interrupt service routine can read it.

- 00 = Required nested exception priority levels are 0, 1, 2, or 3
- 01 = Required nested exception priority levels are 1, 2, or 3
- 10 = Required nested exception priority levels are 2 or 3
- 11 = Required nested exception priority level is 3

Table 5-4 Interrupt Priority Encoding

IPIC_VALUE[1:0]	Current Interrupt Priority Level	Required Nested Exception Priority
00	No interrupt or SWILP	Priorities 0, 1, 2, 3
01	Priority 0	Priorities 1, 2, 3
10	Priority 1	Priorities 2, 3
11	Priority 2 or 3	Priority 3

### 5.6.19.3 Vector Number - Vector Address Bus (VAB)—Bits 12–6

This *read-only* field shows bits [7:1] of the Vector Address Bus used at the time the last IRQ was taken. In the case of a Fast Interrupt, it shows the lower address bits of the jump address. This field is only updated

when the 56800E core jumps to a new interrupt service routine.

**Note:** Nested interrupts may cause this field to be updated before the original interrupt service routine can read it.

#### 5.6.19.4 Interrupt Disable (INT\_DIS)—Bit 5

This bit allows all interrupts to be disabled.

- 0 = Normal operation (default)
- 1 = All interrupts disabled

#### 5.6.19.5 Reserved—Bits 4-2

This bit field is reserved. Each bit must be set to 1.

#### 5.6.19.6 Reserved—Bits 1-0

This bit field is reserved. Each bit must be set to 0.

## 5.7 Resets

### 5.7.1 General

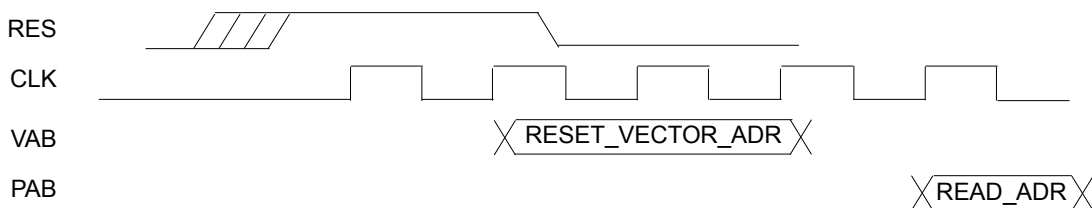
**Table 5-5 Reset Summary**

Reset	Priority	Source	Characteristics
Core Reset		$\overline{\text{RST}}$	Core reset from the SIM

### 5.7.2 Description of Reset Operation

#### 5.7.2.1 Reset Handshake Timing

The ITCN provides the 56800E core with a reset vector address on the VAB pins whenever  $\overline{\text{RESET}}$  is asserted from the SIM. The reset vector will be presented until the second rising clock edge after  $\overline{\text{RESET}}$  is released. The general timing is shown in [Figure 5-22](#).



**Figure 5-22 Reset Interface**

### 5.7.3 ITCN After Reset

After reset, all of the ITCN registers are in their default states. This means all interrupts are disabled, except the core IRQs with fixed priorities:

- Illegal Instruction
- SW Interrupt 3
- HW Stack Overflow
- Misaligned Long Word Access
- SW Interrupt 2
- SW Interrupt 1
- SW Interrupt 0
- SW Interrupt LP

These interrupts are enabled at their fixed priority levels.

## Part 6 System Integration Module (SIM)

### 6.1 Introduction

The SIM module is a system catchall for the glue logic that ties together the system-on-chip. It controls distribution of resets and clocks and provides a number of control features. The System Integration Module's functions are discussed in more detail in the following sections.

## 6.2 Features

The SIM has the following features:

- Chip reset sequencing
- Core and peripheral clock control and distribution
- Stop/Wait mode control
- System status control
- Registers containing the JTAG ID of the chip
- Controls for programmable peripheral and GPIO connections
- Peripheral clocks for TMR and PWM with a high-speed (3X) option
- Power-saving clock gating for peripherals
- Three power modes (Run, Wait, Stop) to control power utilization
  - Stop mode shuts down the 56800E core, system clock, and peripheral clock
  - Wait mode shuts down the 56800E core and unnecessary system clock operation
  - Run mode supports full device operation
- Controls the enable/disable functions of the 56800E core WAIT and STOP instructions with write protection capability
- Controls the enable/disable functions of Large Regulator Standby mode with write protection capability
- Permits selected peripherals to run in Stop mode to generate Stop recovery interrupts
- Controls for programmable peripheral and GPIO connections
- Software chip reset
- I/O short address base location control
- Peripheral protection control to provide runaway code protection for safety-critical applications
- Controls output of internal clock sources to CLK0 pin
- Four general-purpose software control registers are reset only at power-on
- Peripherals Stop mode clocking control

## 6.3 Register Descriptions

A write to an address without an associated register is an NOP. A read from an address without an associated register returns unknown data.

**Table 6-1 SIM Registers (SIM\_BASE = \$00 F100)**

Register Acronym	Base Address +	Register Name	Section Location
CTRL	\$0	Control Register	<a href="#">6.3.1</a>
RSTAT	\$1	Reset Status Register	<a href="#">6.3.2</a>
SWC0	\$2	Software Control Register 0	<a href="#">6.3.3</a>
SWC1	\$3	Software Control Register 1	<a href="#">6.3.3</a>
SWC2	\$4	Software Control Register 2	<a href="#">6.3.3</a>
SWC3	\$5	Software Control Register 3	<a href="#">6.3.3</a>
MSHID	\$6	Most Significant Half of JTAG ID	<a href="#">6.3.4</a>
LSHID	\$7	Least Significant Half of JTAG ID	<a href="#">6.3.5</a>
PWR	\$8	Power Control Register	<a href="#">6.3.6</a>
		Reserved	
CLKOUT	\$A	CLKO Select Register	<a href="#">6.3.7</a>
PCR	\$B	Peripheral Clock Rate Register	<a href="#">6.3.8</a>
PCE0	\$C	Peripheral Clock Enable Register 0	<a href="#">6.3.9</a>
PCE1	\$D	Peripheral Clock Enable Register 0	<a href="#">6.3.10</a>
SD0	\$E	Stop Disable Register 0	<a href="#">6.3.11</a>
SD1	\$F	Stop Disable Register 1	<a href="#">6.3.12</a>
IOSAHI	\$10	I/O Short Address Location High Register	<a href="#">6.3.13</a>
IOSALO	\$11	I/O Short Address Location Low Register	<a href="#">6.3.14</a>
PROT	\$12	Protection Register	<a href="#">6.3.15</a>
GPSA0	\$13	GPIO Peripheral Select Register 0 for GPIOA	<a href="#">6.3.16</a>
GPSA1	\$14	GPIO Peripheral Select Register 1 for GPIOA	<a href="#">6.3.17</a>
GPSB0	\$15	GPIO Peripheral Select Register 0 for GPIOB	<a href="#">6.3.18</a>
GPSB1	\$16	GPIO Peripheral Select Register 1 for GPIOB	<a href="#">6.3.19</a>
GPSCD	\$17	GPIO Peripheral Select Register for GPIOC and GPIOD	<a href="#">6.3.20</a>
IPS0	\$18	Internal Peripheral Source Select Register 0 for PWM	<a href="#">6.3.21</a>
IPS1	\$19	Internal Peripheral Source Select Register 1 for DACs	<a href="#">6.3.22</a>
IPS2	\$1A	Internal Peripheral Source Select Register 2 for Quad Timer A	<a href="#">6.3.23</a>
		Reserved	

Addr. Offset	Address Acronym		15	14	13	12	11	10	9	8	7	6	5	4	3	2	1	0	
\$0	SIM_CTRL	R	0	0	0	0	0	0	0	0	0	0	ONCE_EBL	SW_RST	STOP_DISABLE		WAIT_DISABLE		
		W																	
\$1	SIM_RSTAT	R	0	0	0	0	0	0	0	0	0	0	SWR	COP_TOR	COP_LOR	EXTR	POR	0	0
		W																	
\$2	SIM_SWC0	R	Software Control Data 0																
		W																	
\$3	SIM_SWC1	R	Software Control Data 1																
		W																	
\$4	SIM_SWC2	R	Software Control Data 2																
		W																	
\$5	SIM_SWC3	R	Software Control Data 3																
		W																	
\$6	SIM_MSHID	R	0	0	0	0	0	0	0	1	1	1	1	1	0	0	1	0	
		W																	
\$7	SIM_LSHID	R	1	0	0	0	0	0	0	0	0	0	0	1	1	1	0	1	
		W																	
\$8	SIM_PWR	R	0	0	0	0	0	0	0	0	0	0	0	0	0	0	LRSTDBY		
		W																	
Reserved																			
\$A	SIM_CLKOUT	R	0	0	0	0	0	0	PWM3	PWM2	PWM1	PWM0	CLK_DIS	CLKOSEL					
		W																	
\$B	SIM_PCR	R	TMRB_CR	TMRA_CR	PWM_CR	I2C_CR	0	0	0	0	0	0	0	0	0	0	0	0	
		W																	
\$C	SIM_PCE0	R	CMPB	CMPA	DAC1	DAC0	0	ADC	0	0	0	I2C	QSCI1	QSCI0	QSPI1	QSPI0	0	PWM	
		W																	
\$D	SIM_PCE1	R	0	PIT2	PIT1	PIT0	0	0	0	0	0	TB3	TB2	TB1	TB0	TA3	TA2	TA1	TA0
		W																	
\$E	SIM_SD0	R	CMPB_SD	CMPA_SD	DAC1_SD	DAC0_SD	0	ADC_SD	0	0	0	I2C_SD	QSCI1_SD	QSCI0_SD	QSPI1_SD	QSPI0_SD	0	PWM_SD	
		W																	
\$F	SIM_SD1	R	0	PIT2_SD	PIT1_SD	PIT0_SD	0	0	0	0	0	TB3_SD	TB2_SD	TB1_SD	TB0_SD	TA3_SD	TA2_SD	TA1_SD	TA0_SD
		W																	
\$10	SIM_IOSAHI	R	0	0	0	0	0	0	0	0	0	0	0	0	0	0	ISAL[23:22]		
		W																	
\$11	SIM_IOSALO	R	ISAL[21:6]																
		W																	
\$12	SIM_PROT	R	0	0	0	0	0	0	0	0	0	0	0	0	PCEP		GIPSP		
		W																	
\$13	SIM_GPSA0	R	0	0	0	GPS_A6	GPS_A5		GPS_A4		0	0	0	0	0	0	0	0	
		W																	
\$14	SIM_GPSA1	R	0	0	GPS_A14		GPS_A13		GPS_A12		0	GPS_A11	0	GPS_A10	GPS_A9		GPS_A8		
		W																	
\$15	SIM_GPSB0	R	0	GPS_B6		GPS_B5		GPS_B4		GPS_B3		GPS_B2		0	GPS_B1	0	GPS_B0		
		W																	
\$16	SIM_GPSB1	R	0	0	0	0	0	0	0	GPS_B11	0	GPS_B10	0	GPS_B9	0	GPS_B8	0	GPS_B7	
		W																	
\$17	SIM_GPS_CD	R	0	0	0	GPS_D5	0	0	0	0	0	0	0	GPS_C12	0	GPS_C8	0	0	
		W																	
\$18	SIM_IPS0	R	0	0	IPS0_FAULT2	0	IPS0_FAULT1	0	0	IPS0_PSRC2			IPS0_PSRC1			IPS0_PSRC0			
		W																	
\$19	SIM_IPS1	R	0	0	0	0	0	0	0	0	IPS1_DSYNCR1			0	IPS1_DSYNCR0				
		W																	



\$1A	SIM_IPS2	R	0	0	0	IPS2_TA3	0	0	0	IPS2_TA2	0	0	0	IPS2_TA1	0	0	0	0
		W																
Reserved																		

= Read as 0     
  = Read as 1     
  = Reserved

**Figure 6-1 SIM Register Map Summary**

### 6.3.1 SIM Control Register (SIM\_CTRL)

Base + \$0	15	14	13	12	11	10	9	8	7	6	5	4	3	2	1	0
Read	0	0	0	0	0	0	0	0	0	0	ONCE EBL	SW RST	STOP_ DISABLE		WAIT_ DISABLE	
Write																
RESET	0	0	0	0	0	0	0	0	0	0	0	0	0	0	0	0

**Figure 6-2 SIM Control Register (SIM\_CTRL)**

#### 6.3.1.1 Reserved—Bits 15–6

This bit field is reserved. Each bit must be set to 0.

#### 6.3.1.2 OnCE Enable (ONCEEBL)—Bit 5

- 0 = OnCE clock to 56800E core enabled when core TAP is enabled
- 1 = OnCE clock to 56800E core is always enabled

**Note:** Using default state “0” is recommended.

#### 6.3.1.3 Software Reset (SWRST)—Bit 4

- Writing 1 to this field will cause the device to reset
- Read is zero

#### 6.3.1.4 Stop Disable (STOP\_DISABLE)—Bits 3–2

- 00 = Stop mode will be entered when the 56800E core executes a STOP instruction
- 01 = The 56800E STOP instruction will not cause entry into Stop mode
- 10 = Stop mode will be entered when the 56800E core executes a STOP instruction and the STOP\_DISABLE field is write-protected until the next reset
- 11 = The 56800E STOP instruction will not cause entry into Stop mode and the STOP\_DISABLE field is write-protected until the next reset

#### 6.3.1.5 Wait Disable (WAIT\_DISABLE)—Bits 1–0

- 00 = Wait mode will be entered when the 56800E core executes a WAIT instruction
- 01 = The 56800E WAIT instruction will not cause entry into Wait mode
- 10 = Wait mode will be entered when the 56800E core executes a WAIT instruction and the WAIT\_DISABLE field is write-protected until the next reset
- 11 = The 56800E WAIT instruction will not cause entry into Wait mode and the WAIT\_DISABLE field is write-protected until the next reset

## 6.3.2 SIM Reset Status Register (SIM\_RSTAT)

This read-only register is updated upon any system reset and indicates the cause of the most recent reset. It indicates whether the COP reset vector or regular reset vector (including Power-On Reset, External Reset, Software Reset) in the vector table is used. This register is asynchronously reset during Power-On Reset and subsequently is synchronously updated based on the precedence level of reset inputs. Only the most recent reset source will be indicated if multiple resets occur. If multiple reset sources assert simultaneously, the highest-precedence source will be indicated. The precedence from highest to lowest is Power-On Reset, External Reset, COP Loss of Reference Reset, COP Time-Out Reset, and Software Reset. Power-On Reset is always set during a Power-On Reset; however, Power-On Reset will be cleared and External Reset will be set if the external reset pin is asserted or remains asserted after the Power-On Reset has deasserted.

Base + \$1	15	14	13	12	11	10	9	8	7	6	5	4	3	2	1	0	
Read	0	0	0	0	0	0	0	0	0	0	SWR	COP_TOR	COP_LOR	EXTR	POR	0	0
Write																	
RESET	0	0	0	0	0	0	0	0	0	0	0	0	0	1	0	0	

Figure 6-3 SIM Reset Status Register (SIM\_RSTAT)

### 6.3.2.1 Reserved—Bits 15–7

This bit field is reserved. Each bit must be set to 0.

### 6.3.2.2 Software Reset (SWR)—Bit 6

When set, this bit indicates that the previous system reset occurred as a result of a software reset (written 1 to SWRST bit in the SIM\_CTRL register).

### 6.3.2.3 COP Time-Out Reset (COP\_TOR)—Bit 5

When set, this bit indicates that the previous system reset was caused by the Computer Operating Properly (COP) module signaling a COP time-out reset. If COP\_TOR is set as code starts executing, the COP reset vector in the vector table will be used. Otherwise, the normal reset vector is used.

### 6.3.2.4 COP Loss of Reference Reset (COP\_LOR)—Bit 4

When set, this bit indicates that the previous system reset was caused by the Computer Operating Properly (COP) module signaling a loss of COP reference clock reset. If COP\_LOR is set as code starts executing, the COP reset vector in the vector table will be used. Otherwise, the normal reset vector is used.

### 6.3.2.5 External Reset (EXTR)—Bit 3

When set, this bit indicates that the previous system reset was caused by an external reset.

### 6.3.2.6 Power-On Reset (POR)—Bit 2

This bit is set during a Power-On Reset.

### 6.3.2.7 Reserved—Bits 1–0

This bit field is reserved. Each bit must be set to 0.

## 6.3.3 SIM Software Control Registers (SIM\_SWC0, SIM\_SWC1, SIM\_SWC2, and SIM\_SWC3)

These registers are general-purpose registers. They are reset only at power-on, so they can monitor software execution flow.

Base + \$2	15	14	13	12	11	10	9	8	7	6	5	4	3	2	1	0
Read	Software Control Data 0 - 3															
Write																
RESET	0	0	0	0	0	0	0	0	0	0	0	0	0	0	0	0

Figure 6-4 SIM Software Control Register 0 (SIM\_SWC0 - 3)

### 6.3.3.1 Software Control Register 0 - 3 (FIELD)—Bits 15–0

This register is reset only by the Power-On Reset (POR). It is intended for use by a software developer to contain data that will be unaffected by the other reset sources (external reset, software reset, and COP reset).

## 6.3.4 Most Significant Half of JTAG ID (SIM\_MSHID)

This read-only register displays the most significant half of the JTAG ID for the chip. This register reads \$01F2.

Base + \$6	15	14	13	12	11	10	9	8	7	6	5	4	3	2	1	0
Read	0	0	0	0	0	0	0	1	1	1	1	1	0	0	1	0
Write																
RESET	0	0	0	0	0	0	0	1	1	1	1	1	0	0	1	0

Figure 6-5 Most Significant Half of JTAG ID (SIM\_MSHID)

## 6.3.5 Least Significant Half of JTAG ID (SIM\_LSHID)

This read-only register displays the least significant half of the JTAG ID for the chip. This register reads \$801D.

Base + \$7	15	14	13	12	11	10	9	8	7	6	5	4	3	2	1	0
Read	1	0	0	0	0	0	0	0	0	0	0	1	1	1	0	1
Write																
RESET	1	0	0	0	0	0	0	0	0	0	0	1	1	1	0	1

Figure 6-6 Least Significant Half of JTAG ID (SIM\_LSHID)

### 6.3.6 SIM Power Control Register (SIM\_PWR)

This register controls the Standby mode of the large on-chip regulator. The large on-chip regulator derives the core digital logic power supply from the IO power supply. At a system bus frequency of 200kHz, the large regulator may be put in a reduced-power standby mode without interfering with device operation to reduce device power consumption. Refer to the overview of power-down modes and the overview of clock generation for more information on the use of large regulator standby.

Base + \$8	15	14	13	12	11	10	9	8	7	6	5	4	3	2	1	0
Read	0	0	0	0	0	0	0	0	0	0	0	0	0	0	LRSTDBY	
Write																
RESET	0	0	0	0	0	0	0	0	0	0	0	0	0	0	0	0

Figure 6-7 SIM Power Control Register (SIM\_PWR)

#### 6.3.6.1 Reserved—Bits 15–2

This bit field is reserved. Each bit must be set to 0.

#### 6.3.6.2 Large Regulator Standby Mode[1:0] (LRSTDBY)—Bits 1–0

- 00 = Large regulator is in Normal mode
- 01 = Large regulator is in Standby (reduced-power) mode
- 10 = Large regulator is in Normal mode and the LRSTDBY field is write-protected until the next reset
- 11 = Large regulator is in Standby mode and the LRSTDBY field is write-protected until the next reset

### 6.3.7 Clock Output Select Register (SIM\_CLKOUT)

The Clock Output Select register can be used to multiplex out selected clock sources generated inside the clock generation and SIM modules onto the muxed clock output pins. All functionality is for test purposes only. Glitches may be produced when the clock is enabled or switched. The delay from the clock source to the output is unspecified. The observability of the CLKO clock output signal at an output pad is subject to the frequency limitations of the associated IO cell.

GPIOA[3:0] can function as GPIO, PWM, or as clock output pins. If GPIOA[3:0] are programmed to operate as peripheral outputs, then the choice is between PWM and clock outputs. The default state is for the peripheral function of GPIOA[3:0] to be programmed as PWM (selected by bits [9:6] of the Clock Output Select register).

GPIOB4 can function as GPIO, or as other peripheral outputs, including clock output (CLKO). If GPIOB4 is programmed to operate as a peripheral output and CLKO is selected in the SIM\_GPSB0 register, bits [4:0] decide if CLKO is enabled or disabled and which clock source is selected if CLKO is enabled. See [Figure 6-8](#) for details.

Base + \$A	15	14	13	12	11	10	9	8	7	6	5	4	3	2	1	0
Read	0	0	0	0	0	0	$\overline{\text{PWM3}}$	$\overline{\text{PWM2}}$	$\overline{\text{PWM1}}$	$\overline{\text{PWM0}}$	CLK DIS	CLKOSEL				
Write																
RESET	0	0	0	0	0	0	0	0	0	0	1	0	0	0	0	0

**Figure 6-8 CLKO Select Register (SIM\_CLKOUT)**

### 6.3.7.1 Reserved—Bits 15–10

This bit field is reserved. Each bit must be set to 0.

### 6.3.7.2 $\overline{\text{PWM3}}$ —Bit 9

- 0 = Peripheral output function of GPIOA[3] is defined to be  $\overline{\text{PWM3}}$
- 1 = Peripheral output function of GPIOA[3] is defined to be the Relaxation Oscillator Clock

### 6.3.7.3 $\overline{\text{PWM2}}$ —Bit 8

- 0 = Peripheral output function of GPIOA[2] is defined to be  $\overline{\text{PWM2}}$
- 1 = Peripheral output function of GPIOA[2] is defined to be the system clock

### 6.3.7.4 $\overline{\text{PWM1}}$ —Bit 7

- 0 = Peripheral output function of GPIOA[1] is defined to be  $\overline{\text{PWM1}}$
- 1 = Peripheral output function of GPIOA[1] is defined to be 2X system clock

### 6.3.7.5 $\overline{\text{PWM0}}$ —Bit 6

- 0 = Peripheral output function of GPIOA[0] is defined to be  $\overline{\text{PWM0}}$
- 1 = Peripheral output function of GPIOA[0] is defined to be 3X system clock

### 6.3.7.6 Clockout Disable (CLKDIS)—Bit 5

- 0 = CLKOUT output function is enabled and will output the signal indicated by CLKOSEL
- 1 = CLKOUT output function is disabled

### 6.3.7.7 Clockout Select (CLKOSEL)—Bits 4–0

CLKOSEL selects clock to be muxed out on the CLKO pin as defined in the following. Internal delay to CLKO output is unspecified. Signal at the output pad is undefined when CLKO signal frequency exceeds the rated frequency of the I/O cell. CLKO may not operate as expected when CLKDIS and CLKOSEL settings are changed.

- 00000 = Continuous system clock
- 00001 = Continuous peripheral clock
- 00010 = 3X system clock
- 00100.....11111 = Reserved for factory test

### 6.3.8 Peripheral Clock Rate Register (SIM\_PCR)

By default, all peripherals are clocked at the system clock rate, which has a maximum of 32MHz. Selected peripherals clocks have the option to be clocked at 3X system clock rate, which has a maximum of 96MHz, if the PLL output clock is selected as the system clock. If PLL is disabled, the 3X system clock will not be available. This register is used to enable high-speed clocking for those peripherals that support it.

**Note:** Operation is unpredictable if peripheral clocks are reconfigured at runtime, so peripherals should be disabled before a peripheral clock is reconfigured.

Base + \$B	15	14	13	12	11	10	9	8	7	6	5	4	3	2	1	0
Read	TMRB_CR	TMRA_CR	PWM_CR	I2C_CR	0	0	0	0	0	0	0	0	0	0	0	0
Write																
RESET	0	0	0	0	0	0	0	0	0	0	0	0	0	0	0	0

Figure 6-9 Peripheral Clock Rate Register (SIM\_PCR)

#### 6.3.8.1 Quad Timer B Clock Rate (TMRB\_CR)—Bit 15

This bit selects the clock speed for the Quad Timer B module.

- 0 = Quad Timer B clock rate equals the system clock rate, to a maximum 32MHz (default)
- 1 = Quad Timer B clock rate equals 3X system clock rate, to a maximum 96MHz

#### 6.3.8.2 Quad Timer A Clock Rate (TMRA\_CR)—Bit 14

This bit selects the clock speed for the Quad Timer A module.

- 0 = Quad Timer A clock rate equals the system clock rate, to a maximum 32MHz (default)
- 1 = Quad Timer A clock rate equals 3X system clock rate, to a maximum 96MHz

#### 6.3.8.3 Pulse Width Modulator Clock Rate (PWM\_CR)—Bit 13

This bit selects the clock speed for the PWM module.

- 0 = PWM module clock rate equals the system clock rate, to a maximum 32MHz (default)
- 1 = PWM module clock rate equals 3X system clock rate, to a maximum 96MHz

#### 6.3.8.4 Inter-Integrated Circuit Run Clock Rate (I2C\_CR)—Bit 12

This bit selects the clock speed for the I<sup>2</sup>C run clock.

- 0 = I<sup>2</sup>C module run clock rate equals the system clock rate, to a maximum 32MHz (default)
- 1 = I<sup>2</sup>C module run clock rate equals 3X system clock rate, to a maximum 96MHz

#### 6.3.8.5 Reserved—Bits 11–0

This bit field is reserved. Each bit must be set to 0.

### 6.3.9 Peripheral Clock Enable Register 0 (SIM\_PCE0)

The Peripheral Clock Enable register enables or disables clocks to the peripherals as a power savings feature. Significant power savings are achieved by enabling only the peripheral clocks that are in use. When a peripheral's clock is disabled, that peripheral is in Stop mode. Accesses made to a module that has its clock disabled will have no effect. The corresponding peripheral should itself be disabled while its clock is shut off. IPBus writes are not possible.

Setting the PCE bit does not guarantee that the peripheral's clock is running. Enabled peripheral clocks will still become disabled in Stop mode, unless the peripheral's Stop Disable control in the  $SDn$  register is set to 1.

**Note:** The MSCAN module supports extended power management capabilities, including Sleep, Stop-in-Wait, and Disable modes. MSCAN clocks are selected by MSCAN control registers. Refer to the **56F802x and 56F803x Peripheral Reference Manual** for details.

Base + \$C	15	14	13	12	11	10	9	8	7	6	5	4	3	2	1	0
Read	CMPB	CMPA	DAC1	DAC0	0	ADC	0	0	0	I2C	QSCI1	QSCI0	QSPI1	QSPI0	0	PWM
Write																
RESET	0	0	0	0	0	0	0	0	0	0	0	0	0	0	0	0

Figure 6-10 Peripheral Clock Enable Register 0 (SIM\_PCE0)

#### 6.3.9.1 Comparator B Clock Enable (CMPB)—Bit 15

- 0 = The clock is not provided to the Comparator B module (the Comparator B module is disabled)
- 1 = The clock is enabled to the Comparator B module

#### 6.3.9.2 Comparator A Clock Enable (CMPA)—Bit 14

- 0 = The clock is not provided to the Comparator A module (the Comparator A module is disabled)
- 1 = The clock is enabled to the Comparator A module

#### 6.3.9.3 Digital-to-Analog Clock Enable 1 (DAC1)—Bit 13

- 0 = The clock is not provided to the DAC1 module (the DAC1 module is disabled)
- 1 = The clock is enabled to the DAC1 module

#### 6.3.9.4 Digital-to-Analog Clock Enable 0 (DAC0)—Bit 12

- 0 = The clock is not provided to the DAC0 module (the DAC0 module is disabled)
- 1 = The clock is enabled to the DAC0 module

#### 6.3.9.5 Reserved—Bit 11

This bit field is reserved. It must be set to 0.

#### 6.3.9.6 Analog-to-Digital Converter Clock Enable (ADC)—Bit 10

- 0 = The clock is not provided to the ADC module (the ADC module is disabled)
- 1 = The clock is enabled to the ADC module

### 6.3.9.7 Reserved—Bits 9–7

This bit field is reserved. Each bit must be set to 0.

### 6.3.9.8 Inter-Integrated Circuit IPBus Clock Enable (I2C)—Bit 6

- 0 = The clock is not provided to the I<sup>2</sup>C module (the I<sup>2</sup>C module is disabled)
- 1 = The clock is enabled to the I<sup>2</sup>C module

### 6.3.9.9 QSCI 1 Clock Enable (QSCI1)—Bit 5

- 0 = The clock is not provided to the QSCI1 module (the QSCI1 module is disabled)
- 1 = The clock is enabled to the QSCI1 module

### 6.3.9.10 QSCI 0 Clock Enable (QSCI0)—Bit 4

- 0 = The clock is not provided to the QSCI0 module (the QSCI0 module is disabled)
- 1 = The clock is enabled to the QSCI0 module

### 6.3.9.11 QSPI 1 Clock Enable (QSPI1)—Bit 3

- 0 = The clock is not provided to the QSPI1 module (the QSPI1 module is disabled)
- 1 = The clock is enabled to the QSPI1 module

### 6.3.9.12 QSPI 0 Clock Enable (QSPI0)—Bit 2

- 0 = The clock is not provided to the QSPI0 module (the QSPI0 module is disabled)
- 1 = The clock is enabled to the QSPI0 module

### 6.3.9.13 Reserved—Bit 1

This bit field is reserved. It must be set to 0.

### 6.3.9.14 PWM Clock Enable (PWM)—Bit 0

- 0 = The clock is not provided to the PWM module (the PWM module is disabled)
- 1 = The clock is enabled to the PWM module

## 6.3.10 Peripheral Clock Enable Register 1 (SIM\_PCE1)

See [Section 6.3.9](#) for general information about Peripheral Clock Enable registers.

Base + \$D	15	14	13	12	11	10	9	8	7	6	5	4	3	2	1	0
Read	0	PIT2	PIT1	PIT0	0	0	0	0	TB3	TB2	TB1	TB0	TA3	TA2	TA1	TA0
Write																
RESET	0	0	0	0	0	0	0	0	0	0	0	0	0	0	0	0

**Figure 6-11 Peripheral Clock Enable Register 1 (SIM\_PCE1)**



### 6.3.10.1 Reserved—Bit 15

This bit field is reserved. It must be set to 0.

### 6.3.10.2 Programmable Interval Timer 2 Clock Enable (PIT2)—Bit 14

- 0 = The clock is not provided to the PIT2 module (the PIT2 module is disabled)
- 1 = The clock is enabled to the PIT2 module

### 6.3.10.3 Programmable Interval Timer 1 Clock Enable (PIT1)—Bit 13

- 0 = The clock is not provided to the PIT1 module (the PIT1 module is disabled)
- 1 = The clock is enabled to the PIT1 module

### 6.3.10.4 Programmable Interval Timer 0 Clock Enable (PIT0)—Bit 12

- 0 = The clock is not provided to the PIT0 module (the PIT0 module is disabled)
- 1 = The clock is enabled to the PIT0 module

### 6.3.10.5 Reserved—Bits 11–8

This bit field is reserved. Each bit must be set to 0.

### 6.3.10.6 Quad Timer B, Channel 3 Clock Enable (TB3)—Bit 7

- 0 = The clock is not provided to the Timer B3 module (the Timer B3 module is disabled)
- 1 = The clock is enabled to the Timer B3 module

### 6.3.10.7 Quad Timer B, Channel 2 Clock Enable (TB2)—Bit 6

- 0 = The clock is not provided to the Timer B2 module (the Timer B2 module is disabled)
- 1 = The clock is enabled to the Timer B2 module

### 6.3.10.8 Quad Timer B, Channel 1 Clock Enable (TB1)—Bit 5

- 0 = The clock is not provided to the Timer B1 module (the Timer B1 module is disabled)
- 1 = The clock is enabled to the Timer B1 module

### 6.3.10.9 Quad Timer B, Channel 0 Clock Enable (TB0)—Bit 4

- 0 = The clock is not provided to the Timer B0 module (the Timer B0 module is disabled)
- 1 = The clock is enabled to the Timer B0 module

### 6.3.10.10 Quad Timer A, Channel 3 Clock Enable (TA3)—Bit 3

- 0 = The clock is not provided to the Timer A3 module (the Timer A3 module is disabled)
- 1 = The clock is enabled to the Timer A3 module

### 6.3.10.11 Quad Timer A, Channel 2 Clock Enable (TA2)—Bit 2

- 0 = The clock is not provided to the Timer A2 module (the Timer A2 module is disabled)
- 1 = The clock is enabled to the Timer A2 module

### 6.3.10.12 Quad Timer A, Channel 1 Clock Enable (TA1)—Bit 1

- 0 = The clock is not provided to the Timer A1 module (the Timer A1 module is disabled)
- 1 = The clock is enabled to the Timer A1 module

### 6.3.10.13 Quad Timer A, Channel 0 Clock Enable (TA0)—Bit 0

- 0 = The clock is not provided to the Timer A0 module (the Timer A0 module is disabled)
- 1 = The clock is enabled to the Timer A0 module

## 6.3.11 Stop Disable Register 0 (SD0)

By default, peripheral clocks are disabled during Stop mode in order to maximize power savings. This register will allow an individual peripheral to operate in Stop mode. Since asserting an interrupt causes the system to return to Run mode, this feature is provided so that selected peripherals can be left operating in Stop mode for the purpose of generating a wake-up interrupt.

For power-conscious applications, it is recommended that only a minimum set of peripherals be configured to remain operational during Stop mode.

Peripherals should be put in a non-operating (disabled) configuration prior to entering Stop mode unless their corresponding Stop Disable control is set to 1. Refer to the **56F802x and 56F803x Peripheral Reference Manual** for further details. Reads and writes cannot be made to a module that has its clock disabled.

**Note:** The MSCAN module supports extended power management capabilities including Sleep, Stop-in-Wait, and Disable modes. MSCAN clocks are selected by MSCAN control registers. For details, refer to the **56F802x and 56F803x Peripheral Reference Manual**.

Base + \$E	15	14	13	12	11	10	9	8	7	6	5	4	3	2	1	0
<b>Read</b>	CMPB_SD	CMPA_SD	DAC1_SD	DAC0_SD	0	ADC_SD	0	0	0	I2C_SD	QSCI1_SD	QSCI0_SD	QSPI1_SD	QSPI0_SD	0	PWM_SD
<b>Write</b>																
<b>RESET</b>	0	0	0	0	0	0	0	0	0	0	0	0	0	0	0	0

**Figure 6-12 Stop Disable Register 0 (SD0)**

### 6.3.11.1 Comparator B Clock Stop Disable (CMPB\_SD)—Bit 15

- 0 = The clock is disabled during Stop mode
- 1 = The clock is enabled during Stop mode if the clock to this peripheral is enabled in the SIM\_PCE0 register

### 6.3.11.2 Comparator A Clock Stop Disable (CMPA\_SD)—Bit 14

- 0 = The clock is disabled during Stop mode
- 1 = The clock is enabled during Stop mode if the clock to this peripheral is enabled in the SIM\_PCE0 register

### 6.3.11.3 Digital-to-Analog Converter 1 Clock Stop Disable (DAC1\_SD)—Bit 13

- 0 = The clock is disabled during Stop mode
- 1 = The clock is enabled during Stop mode if the clock to this peripheral is enabled in the SIM\_PCE0 register

### 6.3.11.4 Digital-to-Analog Converter 0 Clock Stop Disable (DAC0\_SD)—Bit 12

- 0 = The clock is disabled during Stop mode
- 1 = The clock is enabled during Stop mode if the clock to this peripheral is enabled in the SIM\_PCE0 register

### 6.3.11.5 Reserved—Bit 11

This bit field is reserved. It must be set to 0.

### 6.3.11.6 Analog-to-Digital Converter Clock Stop Disable (ADC\_SD)—Bit 10

- 0 = The clock is disabled during Stop mode
- 1 = The clock is enabled during Stop mode if the clock to this peripheral is enabled in the SIM\_PCE0 register

### 6.3.11.7 Reserved—Bits 9–7

This bit field is reserved. Each bit must be set to 0.

### 6.3.11.8 Inter-Integrated Circuit Clock Stop Disable (I2C\_SD)—Bit 6

- 0 = The clock is disabled during Stop mode
- 1 = The clock is enabled during Stop mode if the clock to this peripheral is enabled in the SIM\_PCE0 register

### 6.3.11.9 QSCI1 Clock Stop Disable (QSCI1\_SD)—Bit 5

- 0 = The clock is disabled during Stop mode
- 1 = The clock is enabled during Stop mode if the clock to this peripheral is enabled in the SIM\_PCE0 register

### 6.3.11.10 QSCI0 Clock Stop Disable (QSCI0\_SD)—Bit 4

- 0 = The clock is disabled during Stop mode
- 1 = The clock is enabled during Stop mode if the clock to this peripheral is enabled in the SIM\_PCE0 register

### 6.3.11.11 QSPI1 Clock Stop Disable (QSPI1\_SD)—Bit 3

- 0 = The clock is disabled during Stop mode
- 1 = The clock is enabled during Stop mode if the clock to this peripheral is enabled in the SIM\_PCE0 register

### 6.3.11.12 QSPI0 Clock Stop Disable (QSPI0\_SD)—Bit 2

Each bit controls clocks to the indicated peripheral.

- 0 = The clock is disabled during Stop mode
- 1 = The clock is enabled during Stop mode if the clock to this peripheral is enabled in the SIM\_PCE0 register

### 6.3.11.13 Reserved—Bit 1

This bit field is reserved. It must be set to 0.

### 6.3.11.14 PWM Clock Stop Disable (PWM\_SD)—Bit 0

- 0 = The clock is disabled during Stop mode
- 1 = The clock is enabled during Stop mode if the clock to this peripheral is enabled in the SIM\_PCE0 register

## 6.3.12 Stop Disable Register 1 (SD1)

See [Section 6.3.11](#) for general information about Stop Disable Registers.

Base + \$F	15	14	13	12	11	10	9	8	7	6	5	4	3	2	1	0
Read	0	PIT2_SD	PIT1_SD	PIT0_SD	0	0	0	0	TB3_SD	TB2_SD	TB1_SD	TB0_SD	TA3_SD	TA2_SD	TA1_SD	TA0_SD
Write																
RESET	0	0	0	0	0	0	0	0	0	0	0	0	0	0	0	0

Figure 6-13 Stop Disable Register 1 (SD1)

### 6.3.12.1 Reserved—Bit 15

This bit field is reserved. It must be set to 0.

### 6.3.12.2 Programmable Interval Timer 2 Clock Stop Disable (PIT2\_SD)—Bit 14

- 0 = The clock is disabled during Stop mode
- 1 = The clock is enabled during Stop mode if the clock to this peripheral is enabled in the SIM\_PCE1 register

### 6.3.12.3 Programmable Interval Timer 1 Clock Stop Disable (PIT1\_SD)—Bit 13

- 0 = The clock is disabled during Stop mode
- 1 = The clock is enabled during Stop mode if the clock to this peripheral is enabled in the SIM\_PCE1 register

### 6.3.12.4 Programmable Interval Timer 0 Clock Stop Disable (PIT0\_SD)—Bit 12

- 0 = The clock is disabled during Stop mode
- 1 = The clock is enabled during Stop mode if the clock to this peripheral is enabled in the SIM\_PCE1 register

### 6.3.12.5 Reserved—Bits 11–8

This bit field is reserved. Each bit must be set to 0.

### 6.3.12.6 Quad Timer B, Channel 3 Clock Stop Disable (TB3\_SD)—Bit 7

- 0 = The clock is disabled during Stop mode
- 1 = The clock is enabled during Stop mode if the clock to this peripheral is enabled in the SIM\_PCE1 register

### 6.3.12.7 Quad Timer B, Channel 2 Clock Stop Disable (TB2\_SD)—Bit 6

- 0 = The clock is disabled during Stop mode
- 1 = The clock is enabled during Stop mode if the clock to this peripheral is enabled in the SIM\_PCE1 register

### 6.3.12.8 Quad Timer B, Channel 1 Clock Stop Disable (TB1\_SD)—Bit 5

- 0 = The clock is disabled during Stop mode
- 1 = The clock is enabled during Stop mode if the clock to this peripheral is enabled in the SIM\_PCE1 register

### 6.3.12.9 Quad Timer B, Channel 0 Clock Stop Disable (TB0\_SD)—Bit 4

- 0 = The clock is disabled during Stop mode
- 1 = The clock is enabled during Stop mode if the clock to this peripheral is enabled in the SIM\_PCE1 register

### 6.3.12.10 Quad Timer A, Channel 3 Clock Stop Disable (TA3\_SD)—Bit 3

- 0 = The clock is disabled during Stop mode
- 1 = The clock is enabled during Stop mode if the clock to this peripheral is enabled in the SIM\_PCE1 register

### 6.3.12.11 Quad Timer A, Channel 2 Clock Stop Disable (TA2\_SD)—Bit 2

- 0 = The clock is disabled during Stop mode
- 1 = The clock is enabled during Stop mode if the clock to this peripheral is enabled in the SIM\_PCE1 register

### 6.3.12.12 Quad Timer A, Channel 1 Clock Stop Disable (TA1\_SD)—Bit 1

- 0 = The clock is disabled during Stop mode
- 1 = The clock is enabled during Stop mode if the clock to this peripheral is enabled in the SIM\_PCE1 register

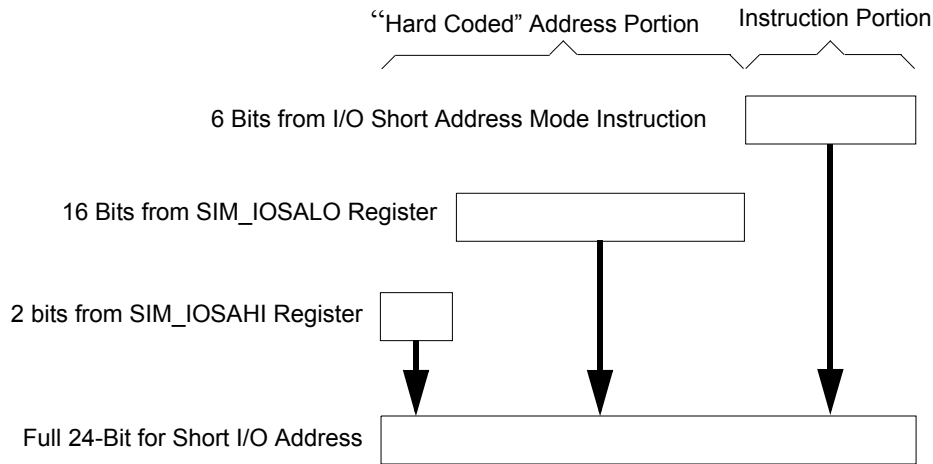
### 6.3.12.13 Quad Timer A, Channel 0 Clock Stop Disable (TA0\_SD)—Bit 0

- 0 = The clock is disabled during Stop mode
- 1 = The clock is enabled during Stop mode if the clock to this peripheral is enabled in the SIM\_PCE1 register

## 6.3.13 I/O Short Address Location Register High (SIM\_IOSAHI)

In I/O short address mode, the instruction specifies only 6 LSBs of the effective address; the upper 18 bits are “hard coded” to a specific area of memory. This scheme allows efficient access to a 64-location area in peripheral space with single word instruction. Short address location registers specify the upper 18 bits

of I/O address, which are “hard coded”. These registers allow access to peripherals using I/O short address mode, regardless of the physical location of the peripheral, as shown in [Figure 6-14](#).



**Figure 6-14 I/O Short Address Determination**

With this register set, software can set the SIM\_IOSAHI and SIM\_IOSALO registers to point to its peripheral registers and then use the I/O short addressing mode to access them.

**Note:** The default value of this register set points to the EOnCE registers.

**Note:** The pipeline delay between setting this register set and using short I/O addressing with the new value is five instruction cycles.

Base + \$10	15	14	13	12	11	10	9	8	7	6	5	4	3	2	1	0
Read	0	0	0	0	0	0	0	0	0	0	0	0	0	0	ISAL[23:22]	
Write																
RESET	0	0	0	0	0	0	0	0	0	0	0	0	0	0	1	1

**Figure 6-15 I/O Short Address Location High Register (SIM\_IOSAHI)**

### 6.3.13.1 Reserved—Bits 15—2

This bit field is reserved or not implemented. It is read as 0 and cannot be modified by writing.

### 6.3.13.2 Input/Output Short Address Location (ISAL[23:22])—Bits 1—0

This field represents the upper two address bits of the “hard coded” I/O short address.

### 6.3.14 I/O Short Address Location Register Low (SIM\_IOSALO)

See [Section 6.3.13](#) for general information about I/O short address location registers.

Base + \$11	15	14	13	12	11	10	9	8	7	6	5	4	3	2	1	0
Read	ISAL[21:6]															
Write	ISAL[21:6]															
RESET	1	1	1	1	1	1	1	1	1	1	1	1	1	1	1	1

**Figure 6-16 I/O Short Address Location Low Register (SIM\_IOSALO)**

### 6.3.14.1 Input/Output Short Address Location (ISAL[21:6])—Bits 15–0

This field represents the lower 16 address bits of the “hard coded” I/O short address.

### 6.3.15 Protection Register (SIM\_PROT)

This register provides write protection of selected control fields for safety-critical applications. The primary purpose is to prevent unsafe conditions due to the unintentional modification of these fields between the onset of a code runaway and a reset by the COP watchdog. The GPIO and Internal Peripheral Select Protection (GIPSP) field protects the contents of registers in the SIM and GPIO modules that control inter-peripheral signal muxing and GPIO configuration. The Peripheral Clock Enable Protection (PCEP) field protects the SIM registers’ contents, which contain peripheral clock controls. Some peripherals provide additional safety features. Refer to the **56F802x and 56F803x Peripheral Reference Manual** for details.

Flexibility is provided so that write protection control values may themselves be optionally locked (write-protected). Protection controls in this register have two bit values which determine the setting of the control and whether the value is locked. While a protection control remains unlocked, protection can be disabled and re-enabled by software. Once a protection control is locked, its value can only be altered by a chip reset, which restores its default non-locked value.

Base + \$12	15	14	13	12	11	10	9	8	7	6	5	4	3	2	1	0
Read	0	0	0	0	0	0	0	0	0	0	0	0	PCEP		GIPSP	
Write													PCEP		GIPSP	
RESET	0	0	0	0	0	0	0	0	0	0	0	0	0	0	0	0

**Figure 6-17 Protection Register (SIM\_PROT)**

#### 6.3.15.1 Reserved—Bits 15–4

This bit field is reserved. Each bit must be set to 0.

#### 6.3.15.2 Peripheral Clock Enable Protection (PCEP)—Bits 3–2

These bits enable write protection of all fields in the PCEn, SDn, and PCR registers in the SIM module.

- 00 = Write protection off (default)
- 01 = Write protection on
- 10 = Write protection off and locked until chip reset

- 11 = Write protection on and locked until chip reset

### 6.3.15.3 GPIO and Internal Peripheral Select Protection (GIPSP)—Bits 1–0

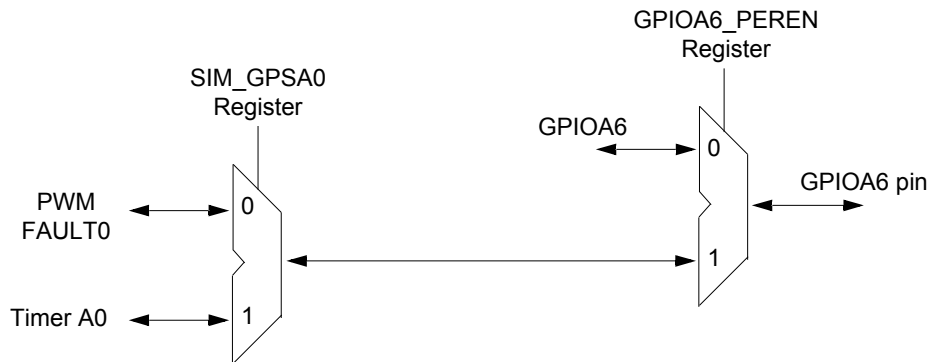
These bits enable write protection of  $GPS_n$  and  $IPS_n$  registers in the SIM module and write protect all  $GPIOx\_PEREN$ ,  $GPIOx\_PPOUTM$  and  $GPIOx\_DRIVE$  registers in GPIO modules.

- 00 = Write protection off (default)
- 01 = Write protection on
- 10 = Write protection off and locked until chip reset
- 11 = Write protection on and locked until chip reset

**Note:** The PWM fields in the CLKOUT register are also write protected by GIPSP. They are reserved for in-house test only.

### 6.3.16 SIM GPIO Peripheral Select Register 0 for GPIOA (SIM\_GPSA0)

Most I/O pins have an associated GPIO function. In addition to the GPIO function, I/O can be configured to be one of several peripheral functions. The  $GPIOx\_PEREN$  register within the GPIO module controls the selection between peripheral or GPIO control of the I/O pins. The GPIO function is selected when the  $GPIOx\_PEREN$  bit for the I/O is 0. When the  $GPIOx\_PEREN$  bit of the GPIO is 1, the fields in the  $GPS_n$  registers select which peripheral function has control of the I/O. **Figure 6-18** illustrates the output path to an I/O pin when an I/O has two peripheral functions. Similar muxing is required on peripheral function inputs to receive input from the properly selected I/O pin.



**Figure 6-18 Overall Control of Signal Source Using SIM\_GPSnn Control**

In some cases, the user can choose peripheral function between several I/O, each of which have the option to be programmed to control a specific peripheral function. If the user wishes to use that function, only one of these I/O must be configured to control that peripheral function. If more than one I/O is configured to control the peripheral function, the peripheral output signal will fan out to each I/O, but the peripheral input signal will be the logical OR and AND of all the I/O signals.

Complete lists of I/O muxings are provided in [Table 2-3](#).

The  $GPS_n$  setting can be altered during normal operation, but a delay must be inserted between the time when one function is disabled and another function is enabled.



**Note:** After reset, all I/O pins are GPIO, except the JTAG pins and the  $\overline{\text{RESET}}$  pin.

Base + \$13	15	14	13	12	11	10	9	8	7	6	5	4	3	2	1	0
Read	0	0	0	GPS_A6	GPS_A5		GPS_A4		0	0	0	0	0	0	0	0
Write																
RESET	0	0	0	0	0	0	0	0	0	0	0	0	0	0	0	0

**Figure 6-19 GPIO Peripheral Select Register 0 for GPIOA (SIM\_GPSA0)**

### 6.3.16.1 Reserved—Bits 15–13

This bit field is reserved. Each bit must be set to 0.

### 6.3.16.2 Configure GPIOA6 (GPS\_A6)—Bit 12

This field selects the alternate function for GPIOA6.

- 0 = FAULT0 - PWM FAULT0 Input (default)
- 1 = TA0 - Timer A0

### 6.3.16.3 Configure GPIOA5 (GPS\_A5)—Bits 11–10

This field selects the alternate function for GPIOA5.

- 00 = PWM5 - PWM5 (default)
- 01 = FAULT2 - PWM FAULT2 Input
- 10 = TA3 - Timer A3
- 11 = Reserved

### 6.3.16.4 Configure GPIOA4 (GPS\_A4)—Bits 9–8

This field selects the alternate function for GPIOA4.

- 00 = PWM4 - PWM4 (default)
- 01 = FAULT1 - PWM FAULT1 Input
- 10 = TA2 - Timer A2
- 11 = Reserved

### 6.3.16.5 Reserved—Bits 7–0

This bit field is reserved. Each bit must be set to 0.

## 6.3.17 SIM GPIO Peripheral Select Register 1 for GPIOA (SIM\_GPSA1)

See [Section 6.3.16](#) for general information about GPIO Peripheral Select Registers.

Base + \$14	15	14	13	12	11	10	9	8	7	6	5	4	3	2	1	0
Read	0	0	GPS_A14		GPS_A13		GPS_A12		0	GPS_A11	0	GPS_A10	GPS_A9		GPS_A8	
Write																
RESET	0	0	0	0	0	0	0	0	0	0	0	0	0	0	0	0

**Figure 6-20 GPIO Peripheral Select Register 1 for GPIOA (SIM\_GPSA1)**

### 6.3.17.1 Reserved—Bits 15–14

This bit field is reserved. Each bit must be set to 0.

### 6.3.17.2 Configure GPIOA14 (GPS\_A14)—Bits 13–12

This field selects the alternate function for GPIOA14.

- 00 = TB3 - Timer B3 (default)
- 01 = MOSI1 - QSPI1 Master Out/Slave In
- 10 = TA3 - Timer A3
- 11 = Reserved

### 6.3.17.3 Configure GPIOA13 (GPS\_A13)—Bits 11–10

This field selects the alternate function for GPIOA13.

- 00 = TB2 - Timer B2 (default)
- 01 = MISO1 - QSPI1 Master In/Slave Out
- 10 = TA2 - Timer A2
- 11 = Reserved

### 6.3.17.4 Configure GPIOA12 (GPS\_A12)—Bits 9–8

This field selects the alternate function for GPIOA12.

- 00 = TB1 - Timer B1 (default)
- 01 = SCLK1 - QSPI1 Serial Clock
- 10 = TA1 - Timer A1
- 11 = Reserved

### 6.3.17.5 Reserved—Bit 7

This bit field is reserved. It must be set to 0.

### 6.3.17.6 Configure GPIOA11 (GPS\_A11)—Bit 6

This field selects the alternate function for GPIOA11.

- 0 = CMPBI2 - Comparator B Input 2 (default)
- 1 = TB3 - Timer B3

### 6.3.17.7 Reserved—Bit 5

This bit field is reserved. It must be set to 0.

### 6.3.17.8 Configure GPIOA10 (GPS\_A10)—Bit 4

This field selects the alternate function for GPIOA10.

- 0 = CMPAI2- Comparator A Input 2 (default)
- 1 = TB2 - Timer B2

### 6.3.17.9 Configure GPIOA9 (GPS\_A9)—Bits 3–2

This field selects the alternate function for GPIOA9.

- 00 = FAULT2 - PWM FAULT2 Input (default)
- 01 = TA3 - Timer A3
- 10 = CMPBI1 - Comparator B Input 1
- 11 = Reserved

### 6.3.17.10 Configure GPIOA8 (GPS\_A8)—Bits 1–0

This field selects the alternate function for GPIOA8.

- 00 = FAULT1 - PWM FAULT1 Input (default)
- 01 = TA2 - Timer A2
- 10 = CMPAI1 - Comparator A Input 1
- 11 = Reserved

## 6.3.18 SIM GPIO Peripheral Select Register 0 for GPIOB (SIM\_GPSB0)

See [Section 6.3.16](#) for general information about GPIO Peripheral Select Registers.

Base + \$15	15	14	13	12	11	10	9	8	7	6	5	4	3	2	1	0
Read	0	GPS_B6		GPS_B5		GPS_B4			GPS_B3		GPS_B2		0	GPS_B1	0	GPS_B0
Write																
RESET	0	0	0	0	0	0	0	0	0	0	0	0	0	0	0	0

Figure 6-21 GPIO Peripheral Select Register 0 for GPIOB (SIM\_GPSB0)

### 6.3.18.1 Reserved—Bit 15

This bit field is reserved. It must be set to 0.

### 6.3.18.2 Configure GPIOB6 (GPS\_B6)—Bits 14–13

This field selects the alternate function for GPIOB6.

- 00 = RXD0 - QSCI0 Receive Data (default)
- 01 = SDA - I2C Serial Data



- 10 = CLKIN - External Clock Input
- 11 = Reserved

### 6.3.18.3 Configure GPIOB5 (GPS\_B5)—Bits 12–11

This field selects the alternate function for GPIOB5.

- 00 = TA1 - Timer A1 (default)
- 01 = FAULT3 - PWM FAULT3 Input
- 10 = CLKIN - External Clock Input
- 11 = Reserved

### 6.3.18.4 Configure GPIOB4(GPS\_B4)—Bits 10–8

This field selects the alternate function for GPIOB4.

- 000 = TA0 - Timer A0 (default)
- 001 = CLKO - Clock Output
- 010 =  $\overline{SS1}$  - QSPI1 Slave Select
- 011 = TB0 - Timer B0
- 100 = PSRC2 - PWM4 / PWM5 Pair External Source
- 11x = Reserved
- 1x1 = Reserved

### 6.3.18.5 Configure GPIOB3 (GPS\_B3)—Bits 7–6

This field selects the alternate function for GPIOB3.

- 00 = MOSI0 - QSPI0 Master Out/Slave In (default)
- 01 = TA3 - Timer A3
- 10 = PSRC1 - PWM2 / PWM3 Pair External Source
- 11 = Reserved

### 6.3.18.6 Configure GPIOB2 (GPS\_B2)—Bits 5–4

This field selects the alternate function for GPIOB2.

- 00 = MISO0 QSPI0 Master In/Slave Out (default)
- 01 = TA2 - Timer A2
- 10 = PSRC0 - PWM0 / PWM1 Pair External Source
- 11 = Reserved

### 6.3.18.7 Reserved—Bit 3

This bit field is reserved. It must be set to 0.

### 6.3.18.8 Configure GPIOB1 (GPS\_B1)—Bit 2

This field selects the alternate function for GPIOB1.

- 0 =  $\overline{SS0}$  - QSPI0 Slave Select (default)
- 1 = SDA - I2C Serial Data

### 6.3.18.9 Reserved—Bit 1

This bit field is reserved. It must be set to 0.

### 6.3.18.10 Configure GPIOB0 (GPS\_B0)—Bits 0

This field selects the alternate function for GPIOB0.

- 0 = SCLK0 - QSPI0 Serial Clock (default)
- 1 = SCL - I<sup>2</sup>C Serial Clock

## 6.3.19 SIM GPIO Peripheral Select Register 1 for GPIOB (SIM\_GPSB1)

See [Section 6.3.16](#) for general information about GPIO Peripheral Select Registers.

Base + \$16	15	14	13	12	11	10	9	8	7	6	5	4	3	2	1	0
Read	0	0	0	0	0	0	0	GPS_B11	0	GPS_B10	0	GPS_B9	0	GPS_B8	0	GPS_B7
Write																
RESET	0	0	0	0	0	0	0	0	0	0	0	0	0	0	0	0

Figure 6-22 GPIO Peripheral Select Register 1 for GPIOB (SIM\_GPSB1)

### 6.3.19.1 Reserved—Bits 15–9

This bit field is reserved. Each bit must be set to 0.

### 6.3.19.2 Configure GPIOB11 (GPS\_B11)—Bit 8

This field selects the alternate function for GPIOB11.

- 0 = CMPBO - Comparator B Output (default)
- 1 = TB1 - Timer B1

### 6.3.19.3 Reserved—Bit 7

This bit field is reserved. It must be set to 0.

### 6.3.19.4 Configure GPIOB10 (GPS\_B10)—Bit 6

This field selects the alternate function for GPIOB10.

- 0 = CMPAO - Comparator A Output (default)
- 1 = TB0 - Timer B0

### 6.3.19.5 Reserved—Bit 5

This bit field is reserved. It must be set to 0.

### 6.3.19.6 Configure GPIOB9 (GPS\_B9)—Bit 4

This field selects the alternate function for GPIOB9.

- 0 = SDA - I<sup>2</sup>C Serial Data (default)
- 1 = MSCANRX - MSCAN Receive Data

### 6.3.19.7 Reserved—Bit 3

This bit field is reserved. It must be set to 0.

### 6.3.19.8 Configure GPIOB8 (GPS\_B8)—Bit 2

This field selects the alternate function for GPIOB8.

- 0 = SCL - I2C Serial Clock (default)
- 1 = MSCANTX - MSCAN Transmit Data

### 6.3.19.9 Reserved—Bit 1

This bit field is reserved. It must be set to 0.

### 6.3.19.10 Configure GPIOB7 (GPS\_B7)—Bit 0

This field selects the alternate function for GPIOB7.

- 0 = TXD0 - QSCI0 Transmit Data (default)
- 1 = SCL - I2C Serial Clock

## 6.3.20 SIM GPIO Peripheral Select Register for GPIOC and GPIOD (SIM\_GPSCD)

See [Section 6.3.16](#) for general information about GPIO Peripheral Select Registers.

Base + \$17	15	14	13	12	11	10	9	8	7	6	5	4	3	2	1	0
Read	0	0	0	GPS_D5	0	0	0	0	0	0	0	GPS_C12	0	GPS_C8	0	0
Write																
RESET	0	0	0	0	0	0	0	0	0	0	0	0	0	0	0	0

Figure 6-23 GPIO Peripheral Select Register for GPIOC and GPIOD (SIM\_GPSCD)

### 6.3.20.1 Reserved—Bits 15–13

This bit field is reserved. Each bit must be set to 0.

### 6.3.20.2 Configure GPIOD5 (GPS\_D5)—Bit 12

This field selects the alternate function for GPIOD5.

- 0 = XTAL - External Crystal Oscillator Output (default)
- 1 = CLKIN - External Clock Input

### 6.3.20.3 Reserved—Bits 11–5

This bit field is reserved. Each bit must be set to 0.

### 6.3.20.4 Configure GPIOC12 (GPS\_C12)—Bit 4

This field selects the alternate function for GPIOC12.

- 0 = ANB4 - ADCB, Channel 4 (default)
- 1 = RXD1 - QSCI1 Receive Data

### 6.3.20.5 Reserved—Bit 3

This bit field is reserved. It must be set to 0.

### 6.3.20.6 Configure GPIOC8 (GPS\_C8)—Bit 2

This field selects the alternate function for GPIOC8.

- 0 = ANA4 - ADCA, Channel 4 (default)
- 1 = TXD1 - QSCI1 Transmit Data

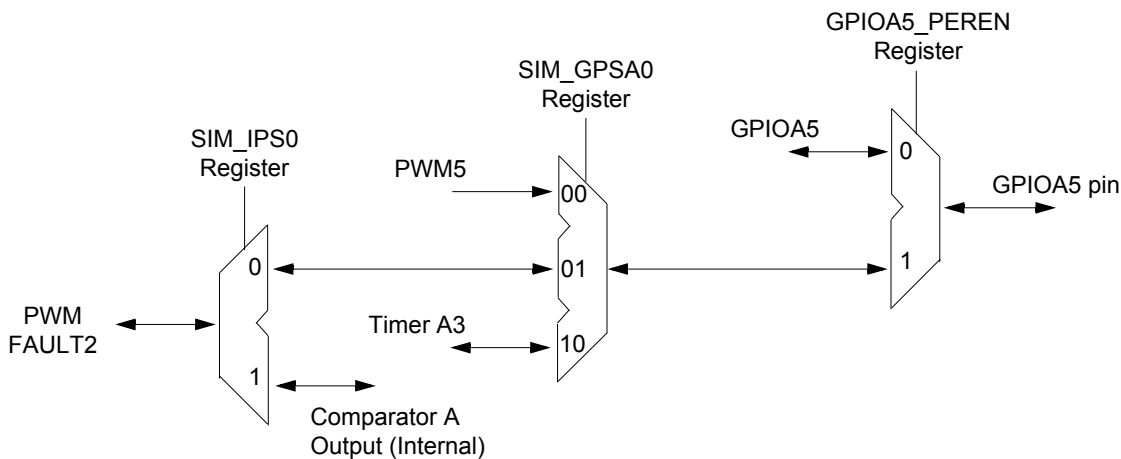
### 6.3.20.7 Reserved—Bits 1—0

This bit field is reserved. Each bit must be set to 0.

## 6.3.21 Internal Peripheral Source Select Register 0 for Pulse Width Modulator (SIM\_IPS0)

The internal integration of peripherals provides input signal source selection for peripherals where an input signal to a peripheral can be fed from one of several sources. These registers are organized by peripheral type and provide a selection list for every peripheral input signal that has more than one alternative source to indicate which source is selected.

If one of the alternative sources is GPIO, the setting in these registers must be made consistently with the settings in the  $GPS_n$  and  $GPIOx\_PEREN$  registers. Specifically, when an  $IPSn$  field is configured to select an I/O pin as the source, then  $GPS_n$  register settings must configure only one I/O pin to feed this peripheral input function. Also, the  $GPIOx\_PEREN$  bit for that I/O pin must be set to 1 to enable peripheral control of the I/O.



**Figure 6-24 Overall Control of Signal Source using SIM\_IPSn Control**

IPSn settings should not be altered while an affected peripheral is in an enabled (operational) configuration. See the **56F802x and 56F803x Peripheral Reference Manual** for details.

Base + \$18	15	14	13	12	11	10	9	8	7	6	5	4	3	2	1	0
Read	0	0	IPS0_FAULT2	0	IPS0_FAULT1	0	0	IPS0_PSRC2			IPS0_PSRC1			IPS0_PSRC0		
Write																
RESET	0	0	0	0	0	0	0	0	0	0	0	0	0	0	0	0

**Figure 6-25 Internal Peripheral Source Select Register for PWM (SIM\_IPS0)**

### 6.3.21.1 Reserved—Bits 15–14

This bit field is reserved. Each bit must be set to 0.

### 6.3.21.2 Select Peripheral Input Source for FAULT2 (IPS0\_FAULT2)—Bit 13

This field selects the alternate input source signal to feed PWM input FAULT2.

- 0 = I/O Pin (External) - Use PWM FAULT2 Input Pin (default)
- 1 = CMPBO (Internal) - Use Comparator B Output

### 6.3.21.3 Reserved—Bit 12

This bit field is reserved. It must be set to 0.

### 6.3.21.4 Select Peripheral Input Source for FAULT1 (IPS0\_FAULT1)—Bit 11

This field selects the alternate input source signal to feed PWM input FAULT1.

- 0 = I/O pin (External) - Use PWM FAULT2 Input Pin (default)
- 1 = CMPAO (Internal) - Use Comparator A Output



### 6.3.21.5 Reserved—Bits 10–9

This bit field is reserved. Each bit must be set to 0.

### 6.3.21.6 Select Peripheral Input Source for PWM4/PWM5 Pair Source (IPS0\_PSRC2)—Bits 8–6

This field selects the alternate input source signal to feed PWM input PSRC2 as the PWM4/PWM5 pair source.

- 000 = I/O Pin (External) - Use a PSRC2 input pin as PWM source (default)
- 001 = TA3 (Internal) - Use Timer A3 output as PWM source
- 010 = ADC SAMPLE2 (Internal) - Use ADC SAMPLE2 result as PWM source
  - If the ADC conversion result in SAMPLE2 is greater than the value programmed into the High Limit register HLMT2, then PWM4 is set to 0 and PWM5 is set to 1
  - If the ADC conversion result in SAMPLE2 is less than the value programmed into the Low Limit register LLMT2, then PWM4 is set to 1 and PWM5 is set to 0
- 011 = CMPAO (Internal) - Use Comparator A output as PWM source
- 100 = CMPBO (Internal) - Use Comparator B output as PWM source
- 11x = Reserved
- 1x1 = Reserved

### 6.3.21.7 Select Peripheral Input Source for PWM2/PWM3 Pair Source (IPS0\_PSRC1)—Bits 5–3

This field selects the alternate input source signal to feed PWM input PSRC1 as the PWM2/PWM3 pair source.

- 000 = I/O pin (External) - Use a PSRC1 input pin as PWM source (default)
- 001 = TA2 (Internal) - Use Timer A2 output as PWM source
- 010 = ADC SAMPLE1 (Internal) - Use ADC SAMPLE1 result as PWM source
  - If the ADC conversion result in SAMPLE1 is greater than the value programmed into the High Limit register HLMT1, then PWM2 is set to 0 and PWM3 is set to 1
  - If the ADC conversion result in SAMPLE1 is less than the value programmed into the Low Limit register LLMT1, then PWM2 is set to 1 and PWM3 is set to 0
- 011 = CMPAO (Internal) - Use Comparator A output as PWM source
- 100 = CMPBO (Internal) - Use Comparator B output as PWM source
- 11x = Reserved
- 1x1 = Reserved

### 6.3.21.8 Select Peripheral Input Source for PWM0/PWM1 Pair Source (IPS0\_PSRC0)—Bits 2–0

This field selects the alternate input source signal to feed PWM input PSRC0 as the PWM0/PWM1 pair source.

- 000 = I/O pin (External) - Use a PSRC0 input pin as PWM source (default)
- 001 = TA0 (Internal) - Use Timer A0 output as PWM source
- 010 = ADC SAMPLE0 (Internal) - Use ADC SAMPLE0 result as PWM source
  - If the ADC conversion result in SAMPLE0 is greater than the value programmed into the High Limit register HLMT0, then PWM0 is set to 0 and PWM1 is set to 1
  - If the ADC conversion result in SAMPLE0 is less than the value programmed into the Low Limit register LLMT0, then PWM0 is set to 1 and PWM1 is set to 0
- 011 = CMPAO (Internal) - Use Comparator A output as PWM source
- 100 = CMPBO (Internal) - Use Comparator B output as PWM source
- 11x = Reserved
- 1x1 = Reserved

### 6.3.22 Internal Peripheral Source Select Register 1 for Digital-to-Analog Converters (SIM\_IPS1)

See [Section 6.3.21](#) for general information about Internal Peripheral Source Select registers.

Base + \$19	15	14	13	12	11	10	9	8	7	6	5	4	3	2	1	0
Read	0	0	0	0	0	0	0	0	0	IPS1_DSINC1			0	IPS1_DSINC0		
Write																
RESET	0	0	0	0	0	0	0	0	0	0	0	0	0	0	0	0

**Figure 6-26 Internal Peripheral Source Select Register for DACs (SIM\_IPS1)**

#### 6.3.22.1 Reserved—Bits 15–7

This bit field is reserved. Each bit must be set to 0.

#### 6.3.22.2 Select Input Peripheral Source for SYNC Input to DAC 1 (IPS1\_DSINC1)—Bits 6–4

This field selects the alternate input source signal to feed DAC1 SYNC input.

- 000 = PIT0 (Internal) - Use Programmable Interval Timer 0 Output as DAC SYNC input (default)
- 001 = PIT1 (Internal) - Use Programmable Interval Timer 1 Output as DAC SYNC input
- 010 = PIT2 (Internal) - Use Programmable Interval Timer 2 Output as DAC SYNC input
- 011 = PWM SYNC (Internal) - Use PWM reload synchronization signal as DAC SYNC input
- 100 = TA0 (Internal) - Use Timer A0 output as DAC SYNC input
- 101 = TA1 (Internal) - Use Timer A1 output as DAC SYNC input
- 11x = Reserved

#### 6.3.22.3 Reserved—Bit 3

This bit field is reserved. It must be set to 0.

### 6.3.22.4 Select Peripheral Input Source for SYNC Input to DAC 0 (IPS1\_DSINC0)—Bits 2–0

This field selects the alternate input source signal to feed DAC0 SYNC input.

- 000 = PIT0 (Internal) - Use Programmable Interval Timer 0 Output as DAC SYNC input (default)
- 001 = PIT1 (Internal) - Use Programmable Interval Timer 1 Output as DAC SYNC input
- 010 = PIT2 (Internal) - Use Programmable Interval Timer 2 Output as DAC SYNC input
- 011 = PWM SYNC (Internal) - Use PWM reload synchronization signal as DAC SYNC input
- 100 = TA0 (Internal) - Use Timer A0 output as DAC SYNC input
- 101 = TA1 (Internal) - Use Timer A1 output as DAC SYNC input
- 11x = Reserved

### 6.3.23 Internal Peripheral Source Select Register 2 for Quad Timer A (SIM\_IPS2)

See [Section 6.3.21](#) for general information about Internal Peripheral Source Select registers.

Base + \$1A	15	14	13	12	11	10	9	8	7	6	5	4	3	2	1	0
Read	0	0	0	IPS2_TA3	0	0	0	IPS2_TA2	0	0	0	IPS2_TA1	0	0	0	0
Write																
RESET	0	0	0	0	0	0	0	0	0	0	0	0	0	0	0	0

Figure 6-27 Internal Peripheral Source Select Register for TMRA (SIM\_IPS2)

#### 6.3.23.1 Reserved—Bits 15–13

This bit field is reserved. Each bit must be set to 0.

#### 6.3.23.2 Select Peripheral Input Source for TA3 (IPS2\_TA3)—Bit 12

This field selects the alternate input source signal to feed Quad Timer A, input 3.

- 0 = I/O pin (External) - Use Timer A3 input/output pin
- 1 = PWM SYNC (Internal) - Use PWM reload synchronization signal

#### 6.3.23.3 Reserved—Bits 11–9

This bit field is reserved. Each bit must be set to 0.

#### 6.3.23.4 Select Peripheral Input Source for TA2 (IPS2\_TA2)—Bit 8

This field selects the alternate input source signal to feed Quad Timer A, input 2.

- 0 = I/O pin (External) - Use Timer A2 input/output pin
- 1 = CMPBO (Internal) - Use Comparator B output

### 6.3.23.5 Reserved—Bits 7–5

This bit field is reserved. Each bit must be set to 0.

### 6.3.23.6 Select Peripheral Input Source for TA1 (IPS2\_TA1)—Bit 4

This field selects the alternate input source signal to feed Quad Timer A, input 1.

- 0 = I/O pin (External) - Use Timer A1 input/output pin
- 1 = CMPAO (Internal) - Use Comparator A output

### 6.3.23.7 Reserved—Bits 3–0

This bit field is reserved. Each bit must be set to 0.

For Timer A to detect the PWM SYNC signal, the clock rate of both the PWM module and Timer A module must be identical, at either the system clock rate or 3X system clock rate.

## 6.4 Clock Generation Overview

The SIM uses the master clock (2X system clock) at a maximum of 64MHz from the OCCS module to produce a system clock at a maximum of 32MHz for the peripheral, core and memory. It divides the master clock by two and gates it with appropriate power mode and clock gating controls. A 3X system high-speed peripheral clock input from OCCS operates at three times the system clock at a maximum of 96MHz and can be an optional clock for PWM, Timer A, Timer B, and I<sup>2</sup>C modules. These clocks are generated by gating the 3X system high-speed peripheral clock with appropriate power mode and clock gating controls.

The OCCS configuration controls the operating frequency of the SIM's master clocks. In the OCCS, either an external clock (CLKIN), a crystal oscillator, or the relaxation oscillator can be selected as the master clock source (MSTR\_OSC). An external clock can be operated at any frequency up to 64MHz. The crystal oscillator can be operated only at a maximum of 8MHz. The relaxation oscillator can be operated at full speed (8MHz), standby speed (200kHz using ROSB), or powered down (using ROPD). An 8MHz MSTR\_OSC can be multiplied to 196MHz using the PLL and postscaled to provide a variety of high-speed clock rates. Either the postscaled PLL output or MSTR\_OSC signal can be selected to produce the master clocks to the SIM. When the PLL is selected, both the 3X system clock and the 2X system clock are enabled. If the PLL is not selected, the 3X system clock is disabled and the master clock is MSTR\_OSC.

In combination with the OCCS module, the SIM provides power modes (see [Section 6.5](#)), clock enables, and clock rate controls to provide flexible control of clocking and power utilization. The clock rate controls enable the high-speed clocking option for the two quad timers (TMRA and TMRB) and PWM, but requires the PLL to be on and selected. Refer to the **56F802x and 56F803x Peripheral Reference Manual** for further details. The peripheral clock enable controls can be used to disable an individual peripheral clock when it is not used.

## 6.5 Power-Saving Modes

The 56F8037/56F8027 operates in one of five Power-Saving modes, as shown in [Table 6-2](#).

**Table 6-2 Clock Operation in Power-Saving Modes**

Mode	Core Clocks	Peripheral Clocks	Description
Run	Core and memory clocks enabled	Peripheral clocks enabled	Device is fully functional
Wait	Core and memory clocks disabled	Peripheral clocks enabled	Core executes WAIT instruction to enter this mode. Typically used for power-conscious applications. Possible recoveries from Wait mode to Run mode are: <ol style="list-style-type: none"> <li>1. Any interrupt</li> <li>2. Executing a Debug mode entry command during the 56800E core JTAG interface</li> <li>3. Any reset (POR, external, software, COP)</li> </ol>
Stop	Master clock generation in the OCCS remains operational, but the SIM disables the generation of system and peripheral clocks.		Core executes STOP instruction to enter this mode. Possible recoveries from Stop mode to Run mode are: <ol style="list-style-type: none"> <li>1. Interrupt from any peripheral configured in the CTRL register to operate in Stop mode (TA0-3, QSCI0, PIT0-1, CAN, CMPA-B)</li> <li>2. Low-voltage interrupt</li> <li>3. Executing a Debug mode entry command using the 56800E core JTAG interface</li> <li>4. Any reset (POR, external, software, COP)</li> </ol>
Standby	The OCCS generates the master clock at a reduced frequency (400kHz). The PLL is disabled and the high-speed peripheral option is not available. System and peripheral clocks operate at 200kHz.		The user configures the OCCS and SIM to select the relaxation oscillator clock source (PRECS), shut down the PLL (PLLPD), put the relaxation oscillator in Standby mode (ROSB), and put the large regulator in Standby (LRSTDBY). The device is fully operational, but operating at a minimum frequency and power configuration. Recovery requires reversing the sequence used to enter this mode (allowing for PLL lock time).
Power-Down	Master clock generation in the OCCS is completely shut down. All system and peripheral clocks are disabled.		The user configures the OCCS and SIM to enter Standby mode as shown in the previous description, followed by powering down the oscillator (ROPD). The only possible recoveries from this mode are: <ol style="list-style-type: none"> <li>1. External Reset</li> <li>2. Power-On Reset</li> </ol>

The power-saving modes provide additional power management options by disabling the clock, reconfiguring the voltage regulator clock generation to manage power utilization, as shown in [Table 6-2](#). Run, Wait, and Stop modes provide methods of enabling/disabling the peripheral and/or core clocking as a group. Stop disable controls for an individual peripheral are provided in the  $SDn$  registers to override the default behavior of Stop mode. By asserting a peripheral's Stop disable bit, the peripheral clock continues to operate in Stop mode. This is useful to generate interrupts which will recover the device from Stop mode to Run mode. Standby mode provides normal operation but at very low speed and power utilization. It is

possible to invoke Stop or Wait mode while in Standby mode for even greater levels of power reduction. A 400kHz external clock can optionally be used in Standby mode to produce the required Standby 200kHz system clock rate. Power-down mode, which selects the ROSC clock source but shuts it off, fully disables the device and minimizes its power utilization but is only recoverable via reset.

When the PLL is not selected and the system bus is operating at 200kHz or less, the large regulator can be put into its Standby mode (LRSTDBY) to reduce the power utilization of that regulator.

All peripherals, except the COP/watchdog timer, run at the system clock frequency or optional 3X system clock for PWM, Timers, and I<sup>2</sup>C. The COP timer runs at OSC\_CLK / 1024. The maximum frequency of operation is 32MHz.

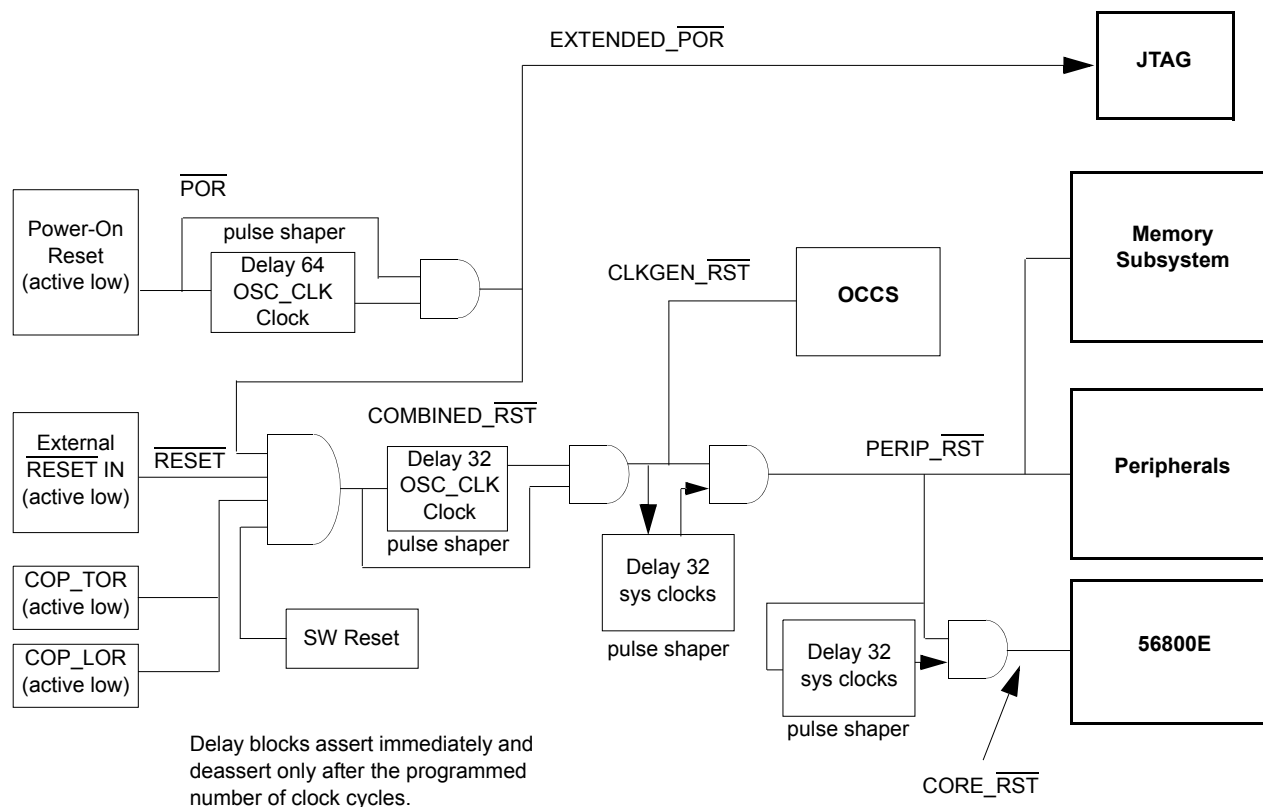
## 6.6 Resets

The SIM supports five sources of reset, as shown in [Figure 6-28](#). The two asynchronous sources are the external reset pin and the Power-On Reset (POR). The three synchronous sources are the software reset (SW reset), which is generated within the SIM itself by writing the SIM\_CTRL register in [Section 6.3.1](#), the COP time-out reset (COP\_TOR), and the COP loss-of-reference reset (COP\_LOR). The reset generation module has three reset detectors, which resolve into four primary resets. These are outlined in [Table 6-3](#). The JTAG circuitry is reset by the Power-On Reset.

**Table 6-3 Primary System Resets**

Reset Signal	Reset Sources				Comments
	POR	External	Software	COP	
EXTENDED_POR	X				Stretched version of $\overline{\text{POR}}$ released 64 OSC_CLK cycles after $\overline{\text{POR}}$ deasserts
CLKGEN_RST	X	X	X	X	Released 32 OSC_CLK cycles after all reset sources, including EXTENDED_POR, have released
PERIP_RST	X	X	X	X	Releases 32 SYS_CLK cycles after the CLKGEN_RST is released
CORE_RST	X	X	X	X	Releases 32 SYS_CLK cycles after PERIP_RST is released

[Figure 6-28](#) provides a graphic illustration of the details in [Table 6-3](#). Note that the POR\_Delay blocks use the OSC\_CLK as their time base, since other system clocks are inactive during this phase of reset.



**Figure 6-28 Sources of RESET Functional Diagram (Test modes not included)**

POR resets are extended 64 OSC\_CLK clocks to stabilize the power supply and clock source. All resets are subsequently extended for an additional 32 OSC\_CLK clocks and 64 system clocks as the various internal reset controls are released. Given the normal relaxation oscillator rate of 8MHz, the duration of a POR reset from when power comes on to when code is running is 28 $\mu$ S. An external reset generation circuit may also be used. A description of how these resets are used to initialize the clocking system and system modules is included in [Section 6.7](#).

## 6.7 Clocks

The memory, peripheral and core clocks all operate at the same frequency (32MHz maximum) with the exception of the peripheral clocks for quad timers TMRA and TMRB and the PWM, which have the option to operate at 3X system clock. The SIM is responsible for clock distributions.

While the SIM generates the ADC peripheral clock in the same way it generates all other peripheral clocks, the ADC standby and conversion clocks are generated by a direct interface between the ADC and the OCCS module.



The deassertion sequence of internal resets coordinates the device start up, including the clocking system start up. The sequence is described in the following steps:

1. As power is applied, the Relaxation Oscillator starts to operate. When a valid operating voltage is reached, the POR reset will release.
2. The release of POR reset permits operation of the POR reset extender. The POR extender generates an extended POR reset, which is released 64 OSC\_CLK cycles after POR reset. This provides an additional time period for the clock source and power to stabilize.
3. A Combined reset consists of the OR of the extended POR reset, the external reset, the COP reset and Software reset. The entire device, except for the POR extender, is held reset as long as Combined reset is asserted. The release of Combined reset permits operation of the CTRL register, the Synchronous reset generator, and the CLKGEN reset extender.
4. The Synchronous reset generator generates a reset to the Software and COP reset logic. The COP and Software reset logic is released three OSC\_CLK cycles after Combined reset deasserts. This provides a reasonable minimum duration to the reset for these specialized functions.
5. The CLKGEN reset extender generates the CLKGEN reset used by the clock generation logic. The CLKGEN reset is released 32 OSC\_CLK cycles after Combined reset deasserts. This provides a window in which the SIM stabilizes the master clock inputs to the clock generator.
6. The release of CLKGEN reset permits operation of the clock generation logic and the Peripheral reset extender. The Peripheral reset extender generates the Peripheral reset, which is released 32 SYS\_CLK cycles after CLKGEN reset. This provides a window in which peripheral and core logic remain clocked, but in reset, so that synchronous resets can be resolved.
7. The release of Peripheral reset permits operation of the peripheral logic and the Core reset extender. The Core reset extender generates the Core reset, which is released 32 SYS\_CLK cycles after the Peripheral reset. This provides a window in which critical peripheral start-up functions, such as Flash Security in the Flash memory, can be implemented.
8. The release of Core reset permits execution of code by the 56800E core and marks the end of the system start-up sequence.

**Figure 6-29** illustrates clock relationships to one another and to the various resets as the device comes out of reset.  $\overline{RST}$  is assumed to be the logical AND of all active-low system resets (for example, POR, external reset, COP and Software reset). In the 56F8037/56F8027, this signal will be stretched by the SIM for a period of time (up to 96 OSC\_CLK clock cycles, depending upon the status of the POR) to create the clock generation reset signal (CLKGEN\_RST). The SIM should deassert CLKGEN\_RST synchronously with the negative edge of OSC\_CLK in order to avoid skew problems. CLKGEN\_RST is delayed 32 SYS\_CLK cycles to create the peripheral reset signal (PERIP\_RST). PERIP\_RST is then delayed by 32 SYS\_CLK cycles to create CORE\_RST. Both PERIP\_RST and CORE\_RST should be released on the negative edge of SYS\_CLK\_D as shown. This phased releasing of system resets is necessary to give some peripherals (for example, the Flash interface unit) set-up time prior to the 56800E core becoming active.



Maximum Delay = 64 OSC\_CLK cycles for POR reset extension and 32 OSC\_CLK cycles for Combined reset extension

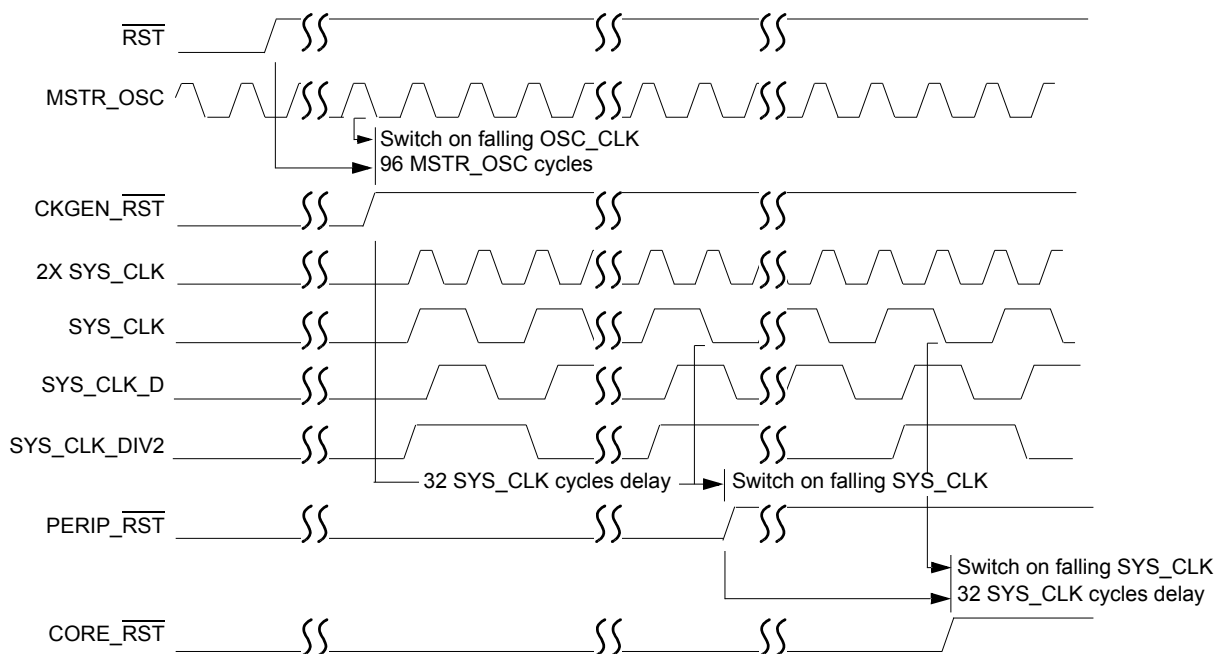


Figure 6-29 Timing Relationships of Reset Signal to Clocks

## 6.8 Interrupts

The SIM generates no interrupts.

## Part 7 Security Features

The 56F8037/56F8027 offers security features intended to prevent unauthorized users from reading the contents of the flash memory (FM) array. The 56F8037/56F8027's flash security consists of several hardware interlocks that prevent unauthorized users from gaining access to the flash array.

After flash security is set, an authorized user is still able to access on-chip memory if a user-defined software subroutine, which reads and transfers the contents of internal memory via serial communication peripherals, is included in the application software.

### 7.1 Operation with Security Enabled

After the user has programmed flash with the application code, the 56F8037/56F8027 can be secured by programming the security word \$0002 into program memory location \$00 7FF7. This non-volatile word will keep the device secured through reset and through power-down of the device. Refer to the flash memory chapter in the **56F802x and 56F803x Peripheral Reference Manual** for the details. When flash security mode is enabled, the 56F8037/56F8027 will disable the core EOnCE debug capabilities. Normal

program execution is otherwise unaffected.

## 7.2 Flash Access Lock and Unlock Mechanisms

There are several methods that effectively lock or unlock the on-chip flash.

### 7.2.1 Disabling EOnCE Access

On-chip flash can be read by issuing commands across the EOnCE port, which is the debug interface for the 56800E CPU. The TCK, TMS, TDO, and TDI pins comprise a JTAG interface onto which the EOnCE port functionality is mapped. When the device boots, the chip-level JTAG TAP (Test Access Port) is active and provides the chip's boundary scan capability and access to the ID register, but proper implementation of flash security will block any attempt to access the internal flash memory via the EOnCE port when security is enabled.

### 7.2.2 Flash Lockout Recovery Using JTAG

If the device is secured, one lockout recovery mechanism is the complete erasure of the internal flash contents, including the configuration field, thus disabling security (the protection register is cleared). This does not compromise security, as the entire contents of the user's secured code stored in flash are erased before security is disabled on the device on the next reset or power-up sequence.

To start the lockout recovery sequence via JTAG, the JTAG public instruction (LOCKOUT\_RECOVERY) must first be shifted into the chip-level TAP controller's instruction register. Once the LOCKOUT\_RECOVERY instruction has been shifted into the instruction register, the clock divider value must be shifted into the corresponding 7-bit data register. After the data register has been updated, the user must transition the TAP controller into the RUN-TEST/IDLE state for the lockout sequence to commence. The controller must remain in this state until the erase sequence is complete. Refer to the **56F802x and 56F803x Peripheral Reference Manual** for more details, or contact Freescale.

**Note:** Once the lockout recovery sequence has completed, the user must reset both the JTAG-TAP controller and device to return to normal unsecured operation. Power-on reset will reset both too.

### 7.2.3 Flash Lockout Recovery using CodeWarrior

CodeWarrior can unlock a device by selecting the *Debug* menu, then selecting *DSP56800E*, followed by *Unlock Flash*. Another mechanism is also built into CodeWarrior using the device's memory configuration file. The command "*Unlock\_Flash\_on\_Connect I*" in the *.cfg* file accomplishes the same task as using the *Debug* menu.

This lockout recovery mechanism is the complete erasure of the internal flash contents, including the configuration field, thus disabling security (the protection register is cleared).

### 7.2.4 Flash Lockout Recovery without mass erase

A user can un-secure a secured device by programming the word \$0000 into program memory location \$00 7FF7. After completing the programming, both the JTAG TAP controller and the device must be reset in order to return to normal unsecured operation. Power-on reset will also reset both.

The user is responsible for directing the device to invoke the flash programming subroutine to reprogram the word \$0000 into program memory location \$00 7FF7. This is done by, for example, toggling a specific pin or downloading a user-defined key through serial interfaces.

**Note:** Flash contents can only be programmed for 1s to 0s.

## 7.3 Product Analysis

The recommended method of unsecuring a secured device for product analysis of field failures is via the method described in section 7.2.4. The customer would need to supply Technical Support with the details of the protocol to access the subroutines in flash memory. An alternative method for performing analysis on a secured device would be to mass-erase and reprogram the flash with the original code, but modify the security word or not program the security word.

# Part 8 General Purpose Input/Output (GPIO)

## 8.1 Introduction

This section is intended to supplement the GPIO information found in the **56F802x and 56F803x Peripheral Reference Manual** and contains only chip-specific information. This information supersedes the generic information in the **56F802x and 56F803x Peripheral Reference Manual**.

## 8.2 Configuration

There are four GPIO ports defined on the 56F8037/56F8027. The width of each port, the associated peripheral and reset functions are shown in **Table 8-1**. The specific mapping of GPIO port pins is shown in **Table 8-2**. Additional details are shown in **Tables 2-2** and **2-3**.

**Table 8-1 GPIO Ports Configuration**

GPIO Port	Available Pins in 56F8037/56F8027	Peripheral Function	Reset Function
A	15	PWM, Timer, QSPI, Comparator, Reset	GPIO, $\overline{\text{RESET}}$
B	14	QSPI, I <sup>2</sup> C, PWM, Clock, MSCAN, Comparator, Timer	GPIO
C	16	ADC, Comparator, QSCI	GPIO
D	8	Clock, Oscillator, DAC, JTAG	GPIO, JTAG

**Table 8-2 GPIO External Signals Map**

GPIO Function	Peripheral Function	LQFP Package Pin	Notes
GPIOA0	PWM0	56	Defaults to A0
GPIOA1	PWM1	55	Defaults to A1
GPIOA2	PWM2	47	Defaults to A2
GPIOA3	PWM3	48	Defaults to A3
GPIOA4	PWM4 / TA2 / FAULT1	43	SIM register SIM_GPS is used to select between PWM4, TA2, and FAULT1. Defaults to A4
GPIOA5	PWM5 / TA3 / FAULT2	39	SIM register SIM_GPS is used to select between PWM5, TA3, and FAULT2. Defaults to A5
GPIOA6	FAULT0 / TA0	34	SIM register SIM_GPS is used to select between FAULT0 and TA0. Defaults to A6
GPIOA7	RESET	31	Defaults to RESET
GPIOA8	FAULT1 / TA2 / CMPAI1	36	SIM register SIM_GPS is used to select between FAULT1, TA2, and CMPAI1. Defaults to A8
GPIOA9	FAULT2 / TA3 / CMPBI1	5	SIM register SIM_GPS is used to select between FAULT2, TA3, and CMPBI1. Defaults to A9
GPIOA10	TB2 / CMPAI2	35	SIM register SIM_GPS is used to select between TB2 and CMPAI2. Defaults to A10
GPIOA11	TB3 / CMPBI2	6	SIM register SIM_GPS is used to select between TB3 and CMPBI2. Defaults to A11
GPIOA12	SCLK1 / TB1 / TA1	37	SIM register SIM_GPS is used to select between SCLK1, TB1, and TA1. Defaults to A12
GPIOA13	MISO1 / TB2 / TA2	44	SIM register SIM_GPS is used to select between MISO1, TB2, and TA2. Defaults to A13
GPIOA14	MOSI1 / TB3 / TA3	45	SIM register SIM_GPS is used to select between MOSI1, TB3, and TA3. Defaults to A14

**Table 8-2 GPIO External Signals Map (Continued)**

GPIO Function	Peripheral Function	LQFP Package Pin	Notes
GPIOB0	SCLK0 / SCL	42	SIM register SIM_GPS is used to select between SCLK and SCL. Defaults to B0
GPIOB1	$\overline{SS0}$ / SDA	2	SIM register SIM_GPS is used to select between $\overline{SS0}$ and SDA. Defaults to B1
GPIOB2	MISO0 / TA2 / PSRC0	33	SIM register SIM_GPS is used to select between MISO0, TA2, and PSRC0. Defaults to B2
GPIOB3	MOSI0 / TA3 / PSRC1	32	SIM register SIM_GPS is used to select between MOSI0, TA3 and PSRC1. Defaults to B3
GPIOB4	TA0 / CLKO / $\overline{SS1}$ / TB0 / PSRC2	38	SIM register SIM_GPS is used to select between TA0, CLKO, $\overline{SS1}$ , TB0, and PSRC2. Defaults to B4
GPIOB5	TA1 / FAULT3 / CLKIN	4	SIM register SIM_GPS is used to select between TA1, FAULT3, and CLKIN. CLKIN functionality is enabled using the PLL Control Register within the OCCS block. Defaults to B5
GPIOB6	RXD0 / SDA / CLKIN	1	SIM register SIM_GPS is used to select between RXD0, SDA, and CLKIN. CLKIN functionality is enabled using the PLL Control Register within the OCCS block. Defaults to B6
GPIOB7	TXD0 / SCL	3	SIM register SIM_GPS is used to select between TXD0 and SCL. Defaults to B7
GPIOB8	SCL / CANTX	54	SIM register SIM_GPS is used to select between SCL and CANTX. Defaults to B8
GPIOB9	SDA / CANRX	46	SIM register SIM_GPS is used to select between SDA and CANRX. Defaults to B9
GPIOB10	TB0 / CMPAO	30	SIM register SIM_GPS is used to select between TB0 and CMPAO. Defaults to B10

**Table 8-2 GPIO External Signals Map (Continued)**

GPIO Function	Peripheral Function	LQFP Package Pin	Notes
GPIOB11	TB1 / CMPBO	60	SIM register SIM_GPS is used to select between TB1 and CMPBO. Defaults to B11
GPIOB12	CANTX	57	Defaults to B12
GPIOB13	CANRX	58	Defaults to B13
GPIOC0	ANA0 / CMPAI3	24	SIM register SIM_GPS is used to select between ANA0 and CMPAI3. Defaults to C0
GPIOC1	ANA1	22	Defaults to C1
GPIOC2	ANA2 / V <sub>REFHA</sub>	20	SIM register SIM_GPS is used to select between ANA2 and V <sub>REFHA</sub> . Defaults to C2
GPIOC3	ANA3 / V <sub>REFLA</sub>	19	SIM register SIM_GPS is used to select between ANA3 and V <sub>REFLA</sub> . Defaults to C3
GPIOC4	ANB0 / CMPBI3	10	SIM register SIM_GPS is used to select between ANB0 and CMPBI3. Defaults to C4
GPIOC5	ANB1	11	Defaults to C5
GPIOC6	ANB2 / V <sub>REFHB</sub>	13	SIM register SIM_GPS is used to select between ANB2 and V <sub>REFHB</sub> . Defaults to C6
GPIOC7	ANB3 / V <sub>REFLB</sub>	14	SIM register SIM_GPS is used to select between ANB3 and V <sub>REFLB</sub> . Defaults to C7
GPIOC8	ANA4 / TXD1	26	SIM register SIM_GPS is used to select between ANA4 and TXD1. Defaults to C8
GPIOC9	ANA5	21	Defaults to C9
GPIOC10	ANA6	23	Defaults to C10
GPIOC11	ANA7	25	Defaults to C11
GPIOC12	ANB4 / RXD1	9	SIM register SIM_GPS is used to select between ANB4 and RXD1. Defaults to C12
GPIOC13	ANB5	12	Defaults to C13
GPIOC14	ANB6	62	Defaults to C14
GPIOC15	ANB7	61	Defaults to C15
GPIOD0	TDI	59	Defaults to TDI
GPIOD1	TDO	64	Defaults to TDO

**Table 8-2 GPIO External Signals Map (Continued)**

GPIO Function	Peripheral Function	LQFP Package Pin	Notes
GPIOD2	TCK	29	Defaults to TCK
GPIOD3	TMS	63	Defaults to TMS
GPIOD4	EXTAL	53	Defaults to D4
GPIOD5	XTAL / CLKIN	52	SIM register SIM_GPSCD is used to select between XTAL and CLKIN. Defaults to D5
GPIOD6	DAC0	18	Defaults to D6
GPIOD7	DAC1	15	Defaults to D7

### 8.3 Reset Values

Tables [8-1](#) and [8-2](#) detail registers for the 56F8037/56F8027; Figures [8-1](#) through [8-4](#) summarize register maps and reset values.

Add. Offset	Register Acronym		15	14	13	12	11	10	9	8	7	6	5	4	3	2	1	0
\$0	GPIOA_PUPEN	R	0	PU[15:0]														
		W																
		RS	0	1	1	1	1	1	1	1	1	1	1	1	1	1	1	1
\$1	GPIOA_DATA	R	0	D[15:0]														
		W																
		RS	0	0	0	0	0	0	0	0	0	0	0	0	0	0	0	0
\$2	GPIOA_DDIR	R	0	DD[15:0]														
		W																
		RS	0	0	0	0	0	0	0	0	0	0	0	0	0	0	0	0
\$3	GPIOA_PEREN	R	0	PE[15:0]														
		W																
		RS	0	0	0	0	0	0	0	0	0	0	0	0	0	0	0	0
\$4	GPIOA_IASSRT	R	0	IA[15:0]														
		W																
		RS	0	0	0	0	0	0	0	0	0	0	0	0	0	0	0	0
\$5	GPIOA_IEN	R	0	IEN[15:0]														
		W																
		RS		0	0	0	0	0	0	0	0	0	0	0	0	0	0	0
\$6	GPIOA_IEPOL	R	0	IEPOL[15:0]														
		W																
		RS	0	0	0	0	0	0	0	0	0	0	0	0	0	0	0	0
\$7	GPIOA_IPEND	R	0	IPR[15:0]														
		W																
		RS	0	0	0	0	0	0	0	0	0	0	0	0	0	0	0	0
\$8	GPIOA_IEDGE	R	0	IES[15:0]														
		W																
		RS	0	0	0	0	0	0	0	0	0	0	0	0	0	0	0	0
\$9	GPIOA_PPOUTM	R	0	OEN[15:0]														
		W																
		RS	0	1	1	1	1	1	1	1	1	1	1	1	1	1	1	1
\$A	GPIOA_RDATA	R	0	RAW DATA[15:0]														
		W																
		RS	0	X	X	X	X	X	X	X	X	X	X	X	X	X	X	X
\$B	GPIOA_DRIVE	R	0	DRIVE[15:0]														
		W																
		RS	0	0	0	0	0	0	0	0	0	0	0	0	0	0	0	0

R	0	Read as 0
W		Reserved
RS		Reset

**Figure 8-1 GPIOA Register Map Summary**



Add. Offset	Register Acronym		15	14	13	12	11	10	9	8	7	6	5	4	3	2	1	0
\$0	GPIOB_PUPEN	R	0	0	PU[15:0]													
		W																
		RS	0	0	1	1	1	1	1	1	1	1	1	1	1	1	1	1
\$1	GPIOB_DATA	R	0	0	D[15:0]													
		W																
		RS	0	0	0	0	0	0	0	0	0	0	0	0	0	0	0	0
\$2	GPIOB_DDIR	R	0	0	DD[15:0]													
		W																
		RS	0	0	0	0	0	0	0	0	0	0	0	0	0	0	0	0
\$3	GPIOB_PEREN	R	0	0	PE[15:0]													
		W																
		RS	0	0	0	0	0	0	0	0	0	0	0	0	0	0	0	0
\$4	GPIOB_IASSRT	R	0	0	IA[15:0]													
		W																
		RS	0	0	0	0	0	0	0	0	0	0	0	0	0	0	0	0
\$5	GPIOB_IEN	R	0	0	IEN[15:0]													
		W																
		RS	0	0	0	0	0	0	0	0	0	0	0	0	0	0	0	0
\$6	GPIOB_IEPOL	R	0	0	IEPOL[15:0]													
		W																
		RS	0	0	0	0	0	0	0	0	0	0	0	0	0	0	0	0
\$7	GPIOB_IPEND	R	0	0	IPR[15:0]													
		W																
		RS	0	0	0	0	0	0	0	0	0	0	0	0	0	0	0	0
\$8	GPIOB_IEDGE	R	0	0	IES[15:0]													
		W																
		RS	0	0	0	0	0	0	0	0	0	0	0	0	0	0	0	0
\$9	GPIOB_PPOUTM	R	0	0	OEN[15:0]													
		W																
		RS	0	0	1	1	1	1	1	1	1	1	1	1	1	1	1	1
\$A	GPIOB_RDATA	R	0	0	RAW DATA[15:0]													
		W																
		RS	0	0	X	X	X	X	X	X	X	X	X	X	X	X	X	X
\$B	GPIOB_DRIVE	R	0	0	DRIVE[15:0]													
		W																
		RS	0	0	0	0	0	0	0	0	0	0	0	0	0	0	0	0

R	0	Read as 0
W		Reserved
RS		Reset

**Figure 8-2 GPIOB Register Map Summary**

Add. Offset	Register Acronym		15	14	13	12	11	10	9	8	7	6	5	4	3	2	1	0
\$0	GPIOC_PUPEN	R	PU[15:0]															
		W																
		RS	1	1	1	1	1	1	1	1	1	1	1	1	1	1	1	1
\$1	GPIOC_DATA	R	D[15:0]															
		W																
		RS	0	0	0	0	0	0	0	0	0	0	0	0	0	0	0	0
\$2	GPIOC_DIR	R	DD[15:0]															
		W																
		RS	0	0	0	0	0	0	0	0	0	0	0	0	0	0	0	0
\$3	GPIOC_PEREN	R	PE[15:0]															
		W																
		RS	0	0	0	0	0	0	0	0	0	0	0	0	0	0	0	0
\$4	GPIOC_IASSRT	R	IA[15:0]															
		W																
		RS	0	0	0	0	0	0	0	0	0	0	0	0	0	0	0	0
\$5	GPIOC_IEN	R	IEN[15:0]															
		W																
		RS	0	0	0	0	0	0	0	0	0	0	0	0	0	0	0	0
\$6	GPIOC_IEPOL	R	IEPOL[15:0]															
		W																
		RS	0	0	0	0	0	0	0	0	0	0	0	0	0	0	0	0
\$7	GPIOC_IPEND	R	IPR[15:0]															
		W																
		RS	0	0	0	0	0	0	0	0	0	0	0	0	0	0	0	0
\$8	GPIOC_IEDGE	R	IES[15:0]															
		W																
		RS	0	0	0	0	0	0	0	0	0	0	0	0	0	0	0	0
\$9	GPIOC_PPOUTM	R	OEN[15:0]															
		W																
		RS	1	1	1	1	1	1	1	1	1	1	1	1	1	1	1	1
\$A	GPIOC_RDATA	R	RAW DATA[15:0]															
		W																
		RS	X	X	X	X	X	X	X	X	X	X	X	X	X	X	X	X
\$B	GPIOC_DRIVE	R	DRIVE[15:0]															
		W																
		RS	0	0	0	0	0	0	0	0	0	0	0	0	0	0	0	0

R	0	Read as 0
W		Reserved
RS		Reset

**Figure 8-3 GPIOC Register Map Summary**

Add. Offset	Register Acronym		15	14	13	12	11	10	9	8	7	6	5	4	3	2	1	0
\$0	GPIOD_PUPEN	R																
		W																
		RS	0	0	0	0	0	0	0	0	0	1	1	1	1	1	1	1
\$1	GPIOD_DATA	R																
		W																
		RS	0	0	0	0	0	0	0	0	0	0	0	0	0	0	0	0
\$2	GPIOD_DDIR	R																
		W																
		RS	0	0	0	0	0	0	0	0	0	0	0	0	0	0	0	0
\$3	GPIOD_PEREN	R																
		W																
		RS	0	0	0	0	0	0	0	0	0	0	0	0	1	1	1	1
\$4	GPIOD_IASSRT	R																
		W																
		RS	0	0	0	0	0	0	0	0	0	0	0	0	0	0	0	0
\$5	GPIOD_IEN	R																
		W																
		RS	0	0	0	0	0	0	0	0	0	0	0	0	0	0	0	0
\$6	GPIOD_IEPOL	R																
		W																
		RS	0	0	0	0	0	0	0	0	0	0	0	0	0	0	0	0
\$7	GPIOD_IPEND	R																
		W																
		RS	0	0	0	0	0	0	0	0	0	0	0	0	0	0	0	0
\$8	GPIOD_IEDGE	R																
		W																
		RS	0	0	0	0	0	0	0	0	0	0	0	0	0	0	0	0
\$9	GPIOD_PPOUTM	R																
		W																
		RS	0	0	0	0	0	0	0	0	0	1	1	1	1	1	1	1
\$A	GPIOD_RDATA	R																
		W																
		RS	0	0	0	0	0	0	0	0	0	X	X	X	X	X	X	X
\$B	GPIOD_DRIVE	R																
		W																
		RS	0	0	0	0	0	0	0	0	0	0	0	0	0	0	0	0

R	0	Read as 0
W		Reserved
RS		Reset

**Figure 8-4 GPIOD Register Map Summary**

## Part 9 Joint Test Action Group (JTAG)

### 9.1 56F8037/56F8027 Information

Please contact your Freescale sales representative or authorized distributor for device/package-specific BSDL information.

The  $\overline{\text{TRST}}$  pin is not available in this package. The pin is tied to  $V_{\text{DD}}$  in the package.

The JTAG state machine is reset during POR and can also be reset via a soft reset by holding TMS high for five rising edges of TCK, as described in the **56F802x and 56F803x Peripheral Reference Manual**.

## Part 10 Specifications

### 10.1 General Characteristics

The 56F8037/56F8027 is fabricated in high-density CMOS with 5V-tolerant TTL-compatible digital inputs. The term “5V-tolerant” refers to the capability of an I/O pin, built on a 3.3V-compatible process technology, to withstand a voltage up to 5.5V without damaging the device. Many systems have a mixture of devices designed for 3.3V and 5V power supplies. In such systems, a bus may carry both 3.3V- and 5V-compatible I/O voltage levels (a standard 3.3V I/O is designed to receive a maximum voltage of  $3.3\text{V} \pm 10\%$  during normal operation without causing damage). This 5V-tolerant capability therefore offers the power savings of 3.3V I/O levels, combined with the ability to receive 5V levels without damage.

Absolute maximum ratings in **Table 10-1** are stress ratings only, and functional operation at the maximum is not guaranteed. Stress beyond these ratings may affect device reliability or cause permanent damage to the device.

Unless otherwise stated, all specifications within this chapter apply over the temperature range of  $-40^{\circ}\text{C}$  to  $125^{\circ}\text{C}$  ambient temperature over the following supply ranges:

$$V_{\text{SS}} = V_{\text{SSA}} = 0\text{V}, V_{\text{DD}} = V_{\text{DDA}} = 3.0\text{--}3.6\text{V}, CL \leq 50\text{pF}, f_{\text{OP}} = 32\text{MHz}$$

#### CAUTION

**This device contains protective circuitry to guard against damage due to high static voltage or electrical fields. However, normal precautions are advised to avoid application of any voltages higher than maximum-rated voltages to this high-impedance circuit. Reliability of operation is enhanced if unused inputs are tied to an appropriate logic voltage level (either  $V_{\text{DD}}$  or  $V_{\text{SS}}$ ).**

**Table 10-1 Absolute Maximum Ratings**

 ( $V_{SS} = 0V$ ,  $V_{SSA} = 0V$ )

Characteristic	Symbol	Notes	Min	Max	Unit
Supply Voltage Range	$V_{DD}$		-0.3	4.0	V
Analog Supply Voltage Range	$V_{DDA}$		-0.3	4.0	V
ADC High Voltage Reference	$V_{REFHx}$		-0.3	4.0	V
Voltage difference $V_{DD}$ to $V_{DDA}$	$\Delta V_{DD}$		-0.3	0.3	V
Voltage difference $V_{SS}$ to $V_{SSA}$	$\Delta V_{SS}$		-0.3	0.3	V
Digital Input Voltage Range	$V_{IN}$	Pin Groups 1, 2	-0.3	6.0	V
Oscillator Voltage Range	$V_{OSC}$	Pin Group 4	-0.4	4.0	V
Analog Input Voltage Range	$V_{INA}$	Pin Group 3	-0.3	4.0	V
Input clamp current, per pin ( $V_{IN} < 0$ ) <sup>1</sup>	$V_{IC}$		—	-20.0	mA
Output clamp current, per pin ( $V_O < 0$ ) <sup>1</sup>	$V_{OC}$		—	-20.0	mA
Output Voltage Range (Normal Push-Pull mode)	$V_{OUT}$	Pin Group 1	-0.3	4.0	V
Output Voltage Range (Open Drain mode)	$V_{OUTOD}$	Pin Group 2	-0.3	6.0	V
Output Voltage Range (DAC)	$V_{OUTDAC}$	Pin Group 5	-0.3	4.0	V
Ambient Temperature Industrial	$T_A$		-40	105	°C
Storage Temperature Range (Extended Industrial)	$T_{STG}$		-55	150	°C

1. Continuous clamp current per pin is -2.0 mA

**Default Mode**

Pin Group 1: GPIO, TDI, TDO, TMS, TCK

 Pin Group 2:  $\overline{RESET}$ , GPIOA7

Pin Group 3: ADC and Comparator Analog Inputs

Pin Group 4: XTAL, EXTAL

Pin Group 5: DAC Analog Outputs

## 10.1.1 ElectroStatic Discharge (ESD) Model

**Table 10-2 56F8037/56F8027 ESD Protection**

Characteristic	Min	Typ	Max	Unit
ESD for Human Body Model (HBM)	2000	—	—	V
ESD for Machine Model (MM)	200	—	—	V
ESD for Charge Device Model (CDM)	750	—	—	V

**Table 10-3 LQFP Package Thermal Characteristics<sup>6</sup>**

Characteristic	Comments	Symbol	Value (LQFP)	Unit	Notes
Junction to ambient Natural convection	Single layer board (1s)	$R_{\theta JA}$	41	°C/W	2
Junction to ambient Natural convection	Four layer board (2s2p)	$R_{\theta JMA}$	34	°C/W	1, 2
Junction to ambient (@200 ft/min)	Single layer board (1s)	$R_{\theta JMA}$	34	°C/W	2
Junction to ambient (@200 ft/min)	Four layer board (2s2p)	$R_{\theta JMA}$	29	°C/W	1, 2
Junction to board		$R_{\theta JB}$	24	°C/W	4
Junction to case		$R_{\theta JC}$	8	°C/W	3
Junction to package top	Natural Convection	$\Psi_{JT}$	2	°C/W	5

1. Theta-JA determined on 2s2p test boards is frequently lower than would be observed in an application. Determined on 2s2p thermal test board.
2. Junction to ambient thermal resistance, Theta-JA ( $R_{\theta JA}$ ), was simulated to be equivalent to the JEDEC specification JESD51-2 in a horizontal configuration in natural convection. Theta-JA was also simulated on a thermal test board with two internal planes (2s2p, where “s” is the number of signal layers and “p” is the number of planes) per JESD51-6 and JESD51-7. The correct name for Theta-JA for forced convection or with the non-single layer boards is Theta-JMA.
3. Junction to case thermal resistance, Theta-JC ( $R_{\theta JC}$ ), was simulated to be equivalent to the measured values using the cold plate technique with the cold plate temperature used as the “case” temperature. The basic cold plate measurement technique is described by MIL-STD 883D, Method 1012.1. This is the correct thermal metric to use to calculate thermal performance when the package is being used with a heat sink.
4. Junction to board thermal resistance, Theta-JB ( $R_{\theta JB}$ ), is a metric of the thermal resistance from the junction to the printed circuit board determined per JESD51-8. Board temperature is measured on the top surface of the board near the package.
5. Thermal Characterization Parameter, Psi-JT ( $\Psi_{JT}$ ), is the “resistance” from junction to reference point thermocouple on top center of case as defined in JESD51-2.  $\Psi_{JT}$  is a useful value to use to estimate junction temperature in steady state customer environments.
6. Junction temperature is a function of die size, on-chip power dissipation, package thermal resistance, mounting site (board)

temperature, ambient temperature, air flow, power dissipation of other components on the board, and board thermal resistance.

7. See [Section 12.1](#) for more details on thermal design considerations.

**Table 10-4 Recommended Operating Conditions**  
( $V_{REFLx} = 0V$ ,  $V_{SSA} = 0V$ ,  $V_{SS} = 0V$ )

Characteristic	Symbol	Notes	Min	Typ	Max	Unit
Supply voltage	$V_{DD}$ , $V_{DDA}$		3	3.3	3.6	V
ADC Reference Voltage High	$V_{REFHx}$		3.0		$V_{DDA}$	V
Voltage difference $V_{DD}$ to $V_{DDA}$	$\Delta V_{DD}$		-0.1	0	0.1	V
Voltage difference $V_{SS}$ to $V_{SSA}$	$\Delta V_{SS}$		-0.1	0	0.1	V
Device Clock Frequency Using relaxation oscillator Using external clock source	FSYSCLK		1 0		32 32	MHz
Input Voltage High (digital inputs)	$V_{IH}$	Pin Groups 1, 2	2.0		5.5	V
Input Voltage Low (digital inputs)	$V_{IL}$	Pin Groups 1, 2	-0.3		0.8	V
Oscillator Input Voltage High XTAL driven by an external clock source	$V_{IHOSC}$	Pin Group 4	2.0		$V_{DDA} + 0.3$	V
Oscillator Input Voltage Low	$V_{ILOSC}$	Pin Group 4	-0.3		0.8	V
DAC Output Load Resistance	RLD		3K		—	ohms
DAC Output Load Capacitance	CLD		—		400	pF
Output Source Current High at $V_{OH}$ min.) <sup>1</sup> When programmed for low drive strength When programmed for high drive strength	$I_{OH}$	Pin Group 1 Pin Group 1	— —		-4 -8	mA
Output Source Current Low (at $V_{OL}$ max.) <sup>1</sup> When programmed for low drive strength When programmed for high drive strength	$I_{OL}$	Pin Groups 1, 2 Pin Groups 1, 2	— —		4 8	mA
Ambient Operating Temperature (Extended Industrial)	$T_A$		-40		105	°C
Flash Endurance (Program Erase Cycles)	$N_F$	$T_A = -40^{\circ}C$ to $125^{\circ}C$	10,000		—	cycles
Flash Data Retention	$T_R$	$T_J \leq 85^{\circ}C$ avg	15		—	years
Flash Data Retention with <100 Program/Erase Cycles	$t_{FLRET}$	$T_J \leq 85^{\circ}C$ avg	20	—	—	years

1. Total chip source or sink current cannot exceed 75mA

**Note:** Pin groups are detailed following [Table 10-1](#)

## 10.2 DC Electrical Characteristics

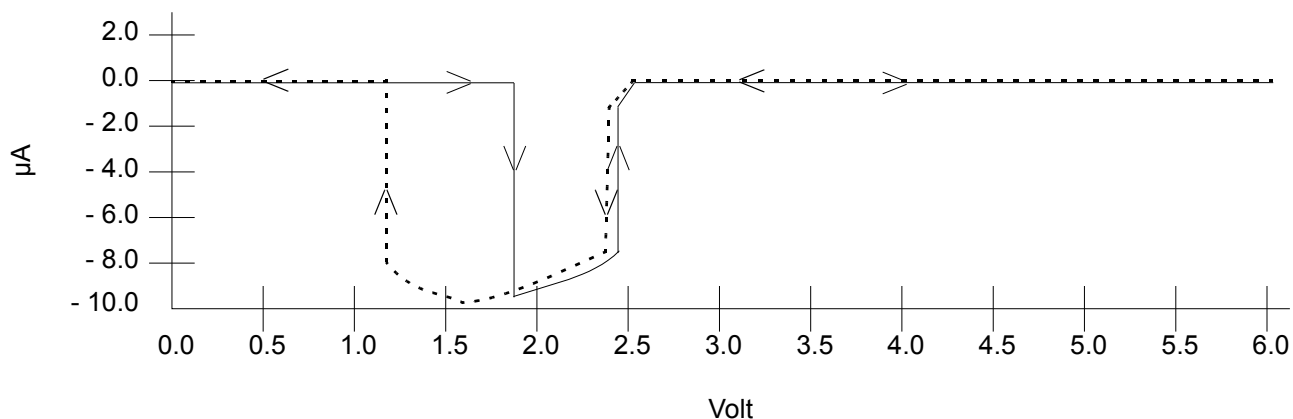
**Table 10-5 DC Electrical Characteristics**  
At Recommended Operating Conditions

Characteristic	Symbol	Notes	Min	Typ	Max	Unit	Test Conditions
Output Voltage High	$V_{OH}$	Pin Group 1	2.4	—	—	V	$I_{OH} = I_{OHmax}$
Output Voltage Low	$V_{OL}$	Pin Groups 1, 2	—	—	0.4	V	$I_{OL} = I_{OLmax}$
Digital Input Current High (a) pull-up enabled or disabled	$I_{IH}$	Pin Groups 1, 2	—	0	+/- 2.5	$\mu A$	$V_{IN} = 2.4V$ to 5.5V
Comparator Input Current High	$I_{IHC}$	Pin Group 3	—	0	+/- 2	$\mu A$	$V_{IN} = V_{DDA}$
Oscillator Input Current High	$I_{IHOSC}$	Pin Group 3	—	0	+/- 2	$\mu A$	$V_{IN} = V_{DDA}$
Digital Input Current Low <sup>1</sup> pull-up enabled pull-up disabled	$I_{IL}$	Pin Groups 1, 2	-15 —	-30 0	-60 +/- 2.5	$\mu A$	$V_{IN} = 0V$
Comparator Input Current Low	$I_{ILC}$	Pin Group 3	—	0	+/- 2	$\mu A$	$V_{IN} = 0V$
Oscillator Input Current Low	$I_{ILOSC}$	Pin Group 3	—	0	+/- 2	$\mu A$	$V_{IN} = 0V$
DAC Output Voltage Range	$V_{DAC}$	Pin Group 5	Typically $V_{SSA} +$ 40mV	—	Typically $V_{DDA} -$ 40mV	V	—
Output Current <sup>1</sup> High Impedance State	$I_{OZ}$	Pin Groups 1, 2	—	0	+/- 2.5	$\mu A$	—
Schmitt Trigger Input Hysteresis	$V_{HYS}$	Pin Groups 1, 2	—	0.35	—	V	—
Input Capacitance	$C_{IN}$		—	10	—	pF	—
Output Capacitance	$C_{OUT}$		—	10	—	pF	—

1. See [Figure 10-1](#)

**Note:** Pin groups are detailed following [Table 10-1](#)




**Figure 10-1  $I_{IN}/I_{OZ}$  vs.  $V_{IN}$  (Typical; Pull-Up Disabled)**
**Table 10-6 Current Consumption per Power Supply Pin**

Mode	Conditions	Typical @ 3.3V, 25°C		Maximum @ 3.6V, 25°C	
		$I_{DD}^1$	$I_{DDA}$	$I_{DD}^1$	$I_{DDA}$
RUN	32MHz Device Clock Relaxation Oscillator on PLL powered on Continuous MAC instructions with fetches from Program Flash All peripheral modules enabled. TMR and PWM using 1X Clock ADC/DAC powered on and clocked Comparator powered on	48mA	18.8mA	—	—
WAIT	32MHz Device Clock Relaxation Oscillator on PLL powered on Processor Core in WAIT state All Peripheral modules enabled. TMR and PWM using 1X Clock ADC/DAC/Comparator powered off	29mA	0µA	—	—
STOP	4MHz Device Clock Relaxation Oscillator on PLL powered off Processor Core in STOP state All peripheral module and core clocks are off ADC/DAC/Comparator powered off	5.4mA	0µA	—	—

**Table 10-6 Current Consumption per Power Supply Pin (Continued)**

Mode	Conditions	Typical @ 3.3V, 25°C		Maximum @ 3.6V, 25°C	
		I <sub>DD</sub> <sup>1</sup>	I <sub>DDA</sub>	I <sub>DD</sub> <sup>1</sup>	I <sub>DDA</sub>
STANDBY > STOP	100kHz Device Clock Relaxation Oscillator in Standby mode PLL powered off Processor Core in STOP state All peripheral module and core clocks are off ADC/DAC/Comparator powered off Voltage regulator in Standby mode	540μA	0μA	650μA	1μA
POWERDOWN	Device Clock is off Relaxation Oscillator powered off PLL powered off Processor Core in STOP state All peripheral module and core clocks are off ADC /DAC/Comparator powered off Voltage Regulator in Standby mode	440μA	0μA	550μA	1μA

1. No Output Switching  
All ports configured as inputs  
All inputs Low  
No DC Loads

**Table 10-7 Power-On Reset Low-Voltage Parameters**

Characteristic	Symbol	Min	Typ	Max	Unit
Low-Voltage Interrupt for 3.3V supply <sup>1</sup>	V <sub>EI3.3</sub>	2.58	2.7	—	V
Low-Voltage Interrupt for 2.5V supply <sup>2</sup>	V <sub>EI2.5</sub>	—	2.15	—	V
Low-Voltage Interrupt Recovery Hysteresis	V <sub>EIH</sub>	—	50	—	mV
Power-On Reset <sup>3</sup>	POR	—	1.8	1.9	V

- When V<sub>DD</sub> drops below V<sub>EI3.3</sub>, an interrupt is generated.
- When V<sub>DD</sub> drops below V<sub>EI2.5</sub>, an interrupt is generated.
- Power-On Reset occurs whenever the internally regulated 2.5V digital supply drops below 1.8V. While power is ramping up, this signal remains active for as long as the internal 2.5V is below 2.15V or the 3.3V I/O voltage is below 2.7V, no matter how long the ramp-up rate is. The internally regulated voltage is typically 100mV less than V<sub>DD</sub> during ramp-up until 2.5V is reached, at which time it self-regulates.

## 10.2.1 Voltage Regulator Specifications

The 56F8037/56F8027 has two on-chip regulators. One supplies the PLL and relaxation oscillator. It has no external pins and therefore has no external characteristics which must be guaranteed (other than proper operation of the device). The second regulator supplies approximately 2.5V to the 56F8037/56F8027's core logic. This regulator requires an external 4.4μF, or greater, capacitor for proper operation. Ceramic and tantalum capacitors tend to provide better performance tolerances. The output voltage can be

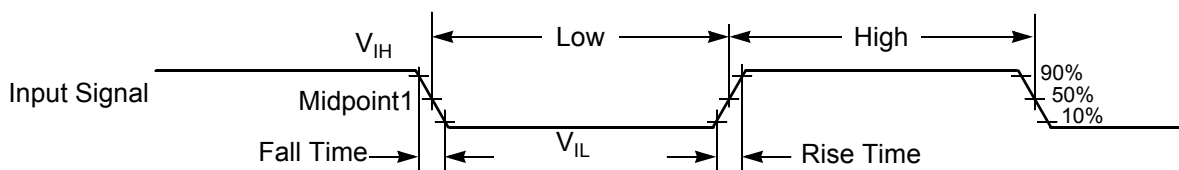
measured directly on the  $V_{CAP}$  pin. The specifications for this regulator are shown in [Table 10-8](#).

**Table 10-8. Regulator Parameters**

Characteristic	Symbol	Min	Typical	Max	Unit
Short Circuit Current	$I_{SS}$	—	450	650	mA
Short Circuit Tolerance ( $V_{CAP}$ shorted to ground)	$T_{RSC}$	—	—	30	minutes

### 10.3 AC Electrical Characteristics

Tests are conducted using the input levels specified in [Table 10-5](#). Unless otherwise specified, propagation delays are measured from the 50% to the 50% point, and rise and fall times are measured between the 10% and 90% points, as shown in [Figure 10-2](#).

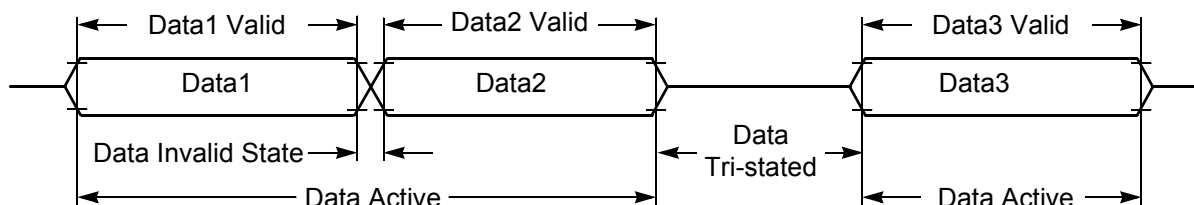


Note: The midpoint is  $V_{IL} + (V_{IH} - V_{IL})/2$ .

**Figure 10-2 Input Signal Measurement References**

[Figure 10-3](#) shows the definitions of the following signal states:

- Active state, when a bus or signal is driven, and enters a low impedance state
- Tri-stated, when a bus or signal is placed in a high impedance state
- Data Valid state, when a signal level has reached  $V_{OL}$  or  $V_{OH}$
- Data Invalid state, when a signal level is in transition between  $V_{OL}$  and  $V_{OH}$



**Figure 10-3 Signal States**

## 10.4 Flash Memory Characteristics

**Table 10-9 Flash Timing Parameters**

Characteristic	Symbol	Min	Typ	Max	Unit
Program time <sup>1</sup>	T <sub>prog</sub>	20	—	40	μs
Erase time <sup>2</sup>	T <sub>erase</sub>	20	—	—	ms
Mass erase time	T <sub>me</sub>	100	—	—	ms

1. There is additional overhead which is part of the programming sequence. See the **56F802x and 56F803x Peripheral Reference Manual** for details.

2. Specifies page erase time. There are 512 bytes per page in the Program Flash memory.

## 10.5 External Clock Operation Timing

**Table 10-10 External Clock Operation Timing Requirements<sup>1</sup>**

Characteristic	Symbol	Min	Typ	Max	Unit
Frequency of operation (external clock driver) <sup>2</sup>	f <sub>osc</sub>	4	8	8	MHz
Clock Pulse Width <sup>3</sup>	t <sub>PW</sub>	6.25	—	—	ns
External Clock Input Rise Time <sup>4</sup>	t <sub>rise</sub>	—	—	3	ns
External Clock Input Fall Time <sup>5</sup>	t <sub>fall</sub>	—	—	3	ns

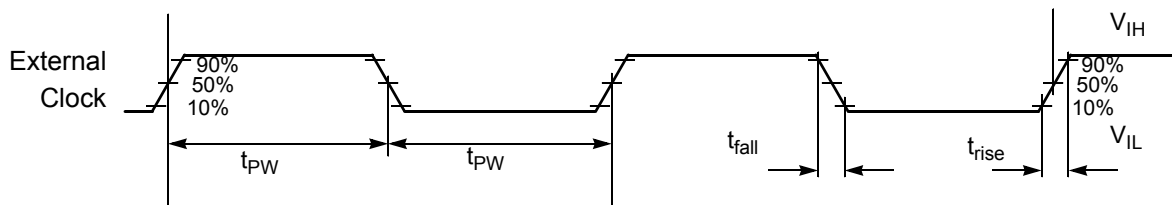
1. Parameters listed are guaranteed by design.

2. See [Figure 10-4](#) for details on using the recommended connection of an external clock driver.

3. The chip may not function if the high or low pulse width is smaller than 6.25ns.

4. External clock input rise time is measured from 10% to 90%.

5. External clock input fall time is measured from 90% to 10%.



Note: The midpoint is  $V_{IL} + (V_{IH} - V_{IL})/2$ .

**Figure 10-4 External Clock Timing**

## 10.6 Phase Locked Loop Timing

Table 10-11 PLL Timing

Characteristic	Symbol	Min	Typ	Max	Unit
External reference crystal frequency for the PLL <sup>1</sup>	$f_{osc}$	4	8	—	MHz
Internal reference relaxation oscillator frequency for the PLL	$f_{rosc}$	—	8	—	MHz
PLL output frequency <sup>2</sup> (24 x reference frequency)	$f_{op}$	96	192	—	MHz
PLL lock time <sup>3</sup>	$t_{plls}$	—	40	100	$\mu$ s
Accumulated jitter using an 8MHz external crystal as the PLL source <sup>4</sup>	$J_A$	—	—	0.37	%
Cycle-to-cycle jitter	$t_{jitterpll}$	—	350	—	ps

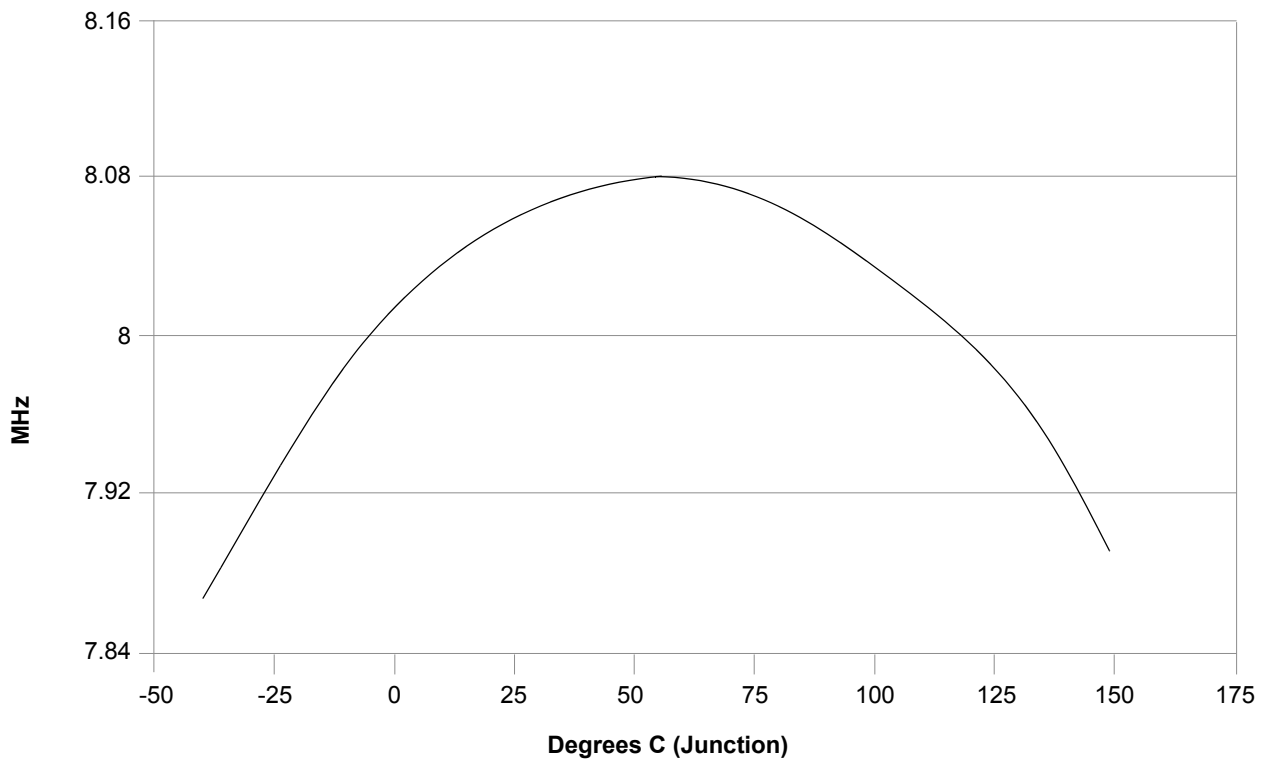
1. An externally supplied reference clock should be as free as possible from any phase jitter for the PLL to work correctly. The PLL is optimized for 8MHz input.
2. The core system clock will operate at 1/6 of the PLL output frequency.
3. This is the time required after the PLL is enabled to ensure reliable operation.
4. This is measured on the CLKO signal (programmed as System clock) over 264 System clocks at 32MHz System clock frequency and using an 8MHz oscillator frequency.

## 10.7 Relaxation Oscillator Timing

Table 10-12 Relaxation Oscillator Timing

Characteristic	Symbol	Minimum	Typical	Maximum	Unit
Relaxation Oscillator output frequency <sup>1</sup> Normal Mode Standby Mode	$f_{op}$	—	8.05 200	—	MHz kHz
Relaxation Oscillator stabilization time <sup>2</sup>	$t_{roscs}$	—	1	3	ms
Cycle-to-cycle jitter. This is measured on the CLKO signal (programmed prescaler_clock) over 264 clocks <sup>3</sup>	$t_{jitterrosc}$	—	400	—	ps
Minimum tuning step size		—	.08	—	%
Maximum tuning step size		—	40	—	%
Variation over temperature -40°C to 150°C <sup>4</sup>		—	+1.0 to -1.5	+3.0 to -3.0	%
Variation over temperature 0°C to 105°C <sup>4</sup>		—	0 to +1	+2.0 to -2.0	%

1. Output frequency after factory trim.
2. This is the time required from Standby to Normal mode transition.
3.  $J_A$  is required to meet QSCI requirements.
4. See [Figure 10-5](#)



**Figure 10-5 Relaxation Oscillator Temperature Variation (Typical) After Trim**

## 10.8 Reset, Stop, Wait, Mode Select, and Interrupt Timing

**Note:** All address and data buses described here are internal.

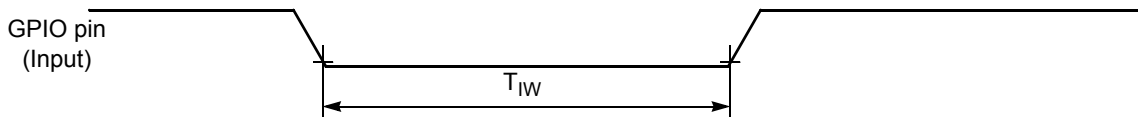
**Table 10-13 Reset, Stop, Wait, Mode Select, and Interrupt Timing<sup>1,2</sup>**

Characteristic	Symbol	Typical Min	Typical Max	Unit	See Figure
Minimum $\overline{\text{RESET}}$ Assertion Duration	$t_{\text{RA}}$	4T	—	ns	—
Minimum GPIO pin Assertion for Interrupt	$t_{\text{IW}}$	2T	—	ns	<a href="#">10-6</a>
$\overline{\text{RESET}}$ deassertion to First Address Fetch <sup>3</sup>	$t_{\text{RDA}}$	$96T_{\text{OSC}} + 64T$	$97T_{\text{OSC}} + 65T$	ns	—
Delay from Interrupt Assertion to Fetch of first instruction (exiting Stop)	$t_{\text{IF}}$	—	6T	ns	—

1. In the formulas, T = system clock cycle and  $T_{\text{OSC}}$  = oscillator clock cycle. For an operating frequency of 32MHz, T = 31.25ns. At 8MHz (used during Reset and Stop modes), T = 125ns.

2. Parameters listed are guaranteed by design.

3. During Power-On Reset, it is possible to use the 56F8037/56F8027 internal reset stretching circuitry to extend this period to  $2^{21}T$ .



**Figure 10-6 GPIO Interrupt Timing (Negative Edge-Sensitive)**

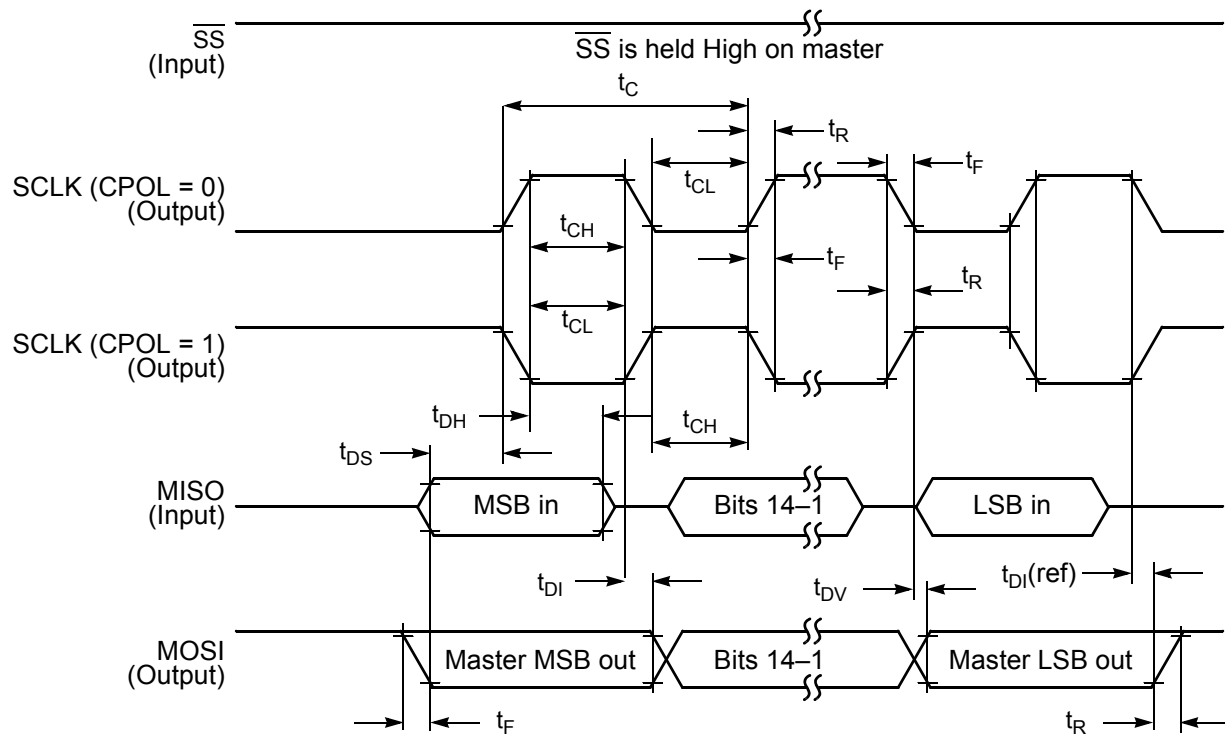
## 10.9 Serial Peripheral Interface (SPI) Timing

Table 10-14 SPI Timing<sup>1</sup>

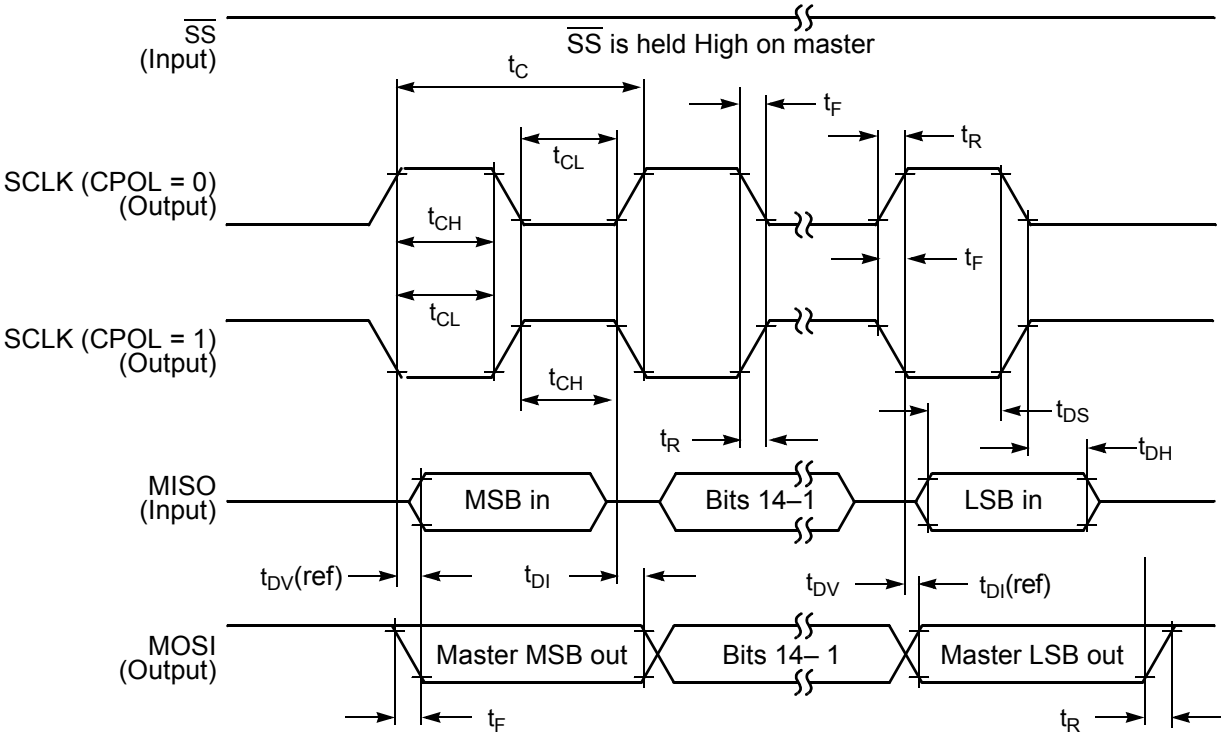
Characteristic	Symbol	Min	Max	Unit	See Figure
Cycle time Master Slave	$t_C$	125 62.5	— —	ns ns	10-7, 10-8, 10-9, 10-10
Enable lead time Master Slave	$t_{ELD}$	— 31	— —	ns ns	10-10
Enable lag time Master Slave	$t_{ELG}$	— 125	— —	ns ns	10-10
Clock (SCK) high time Master Slave	$t_{CH}$	50 31	— —	ns ns	10-7, 10-8, 10-9, 10-10
Clock (SCK) low time Master Slave	$t_{CL}$	50 31	— —	ns ns	10-10
Data set-up time required for inputs Master Slave	$t_{DS}$	20 0	— —	ns ns	10-7, 10-8, 10-9, 10-10
Data hold time required for inputs Master Slave	$t_{DH}$	0 2	— —	ns ns	10-7, 10-8, 10-9, 10-10
Access time (time to data active from high-impedance state) Slave	$t_A$	4.8	15	ns	10-10
Disable time (hold time to high-impedance state) Slave	$t_D$	3.7	15.2	ns	10-10
Data Valid for outputs Master Slave (after enable edge)	$t_{DV}$	— —	4.5 20.4	ns ns	10-7, 10-8, 10-9, 10-10
Data invalid Master Slave	$t_{DI}$	0 0	— —	ns ns	10-7, 10-8, 10-9, 10-10
Rise time Master Slave	$t_R$	— —	11.5 10.0	ns ns	10-7, 10-8, 10-9, 10-10
Fall time Master Slave	$t_F$	— —	9.7 9.0	ns ns	10-7, 10-8, 10-9, 10-10

1. Parameters listed are guaranteed by design.





**Figure 10-7 SPI Master Timing (CPHA = 0)**



**Figure 10-8 SPI Master Timing (CPHA = 1)**

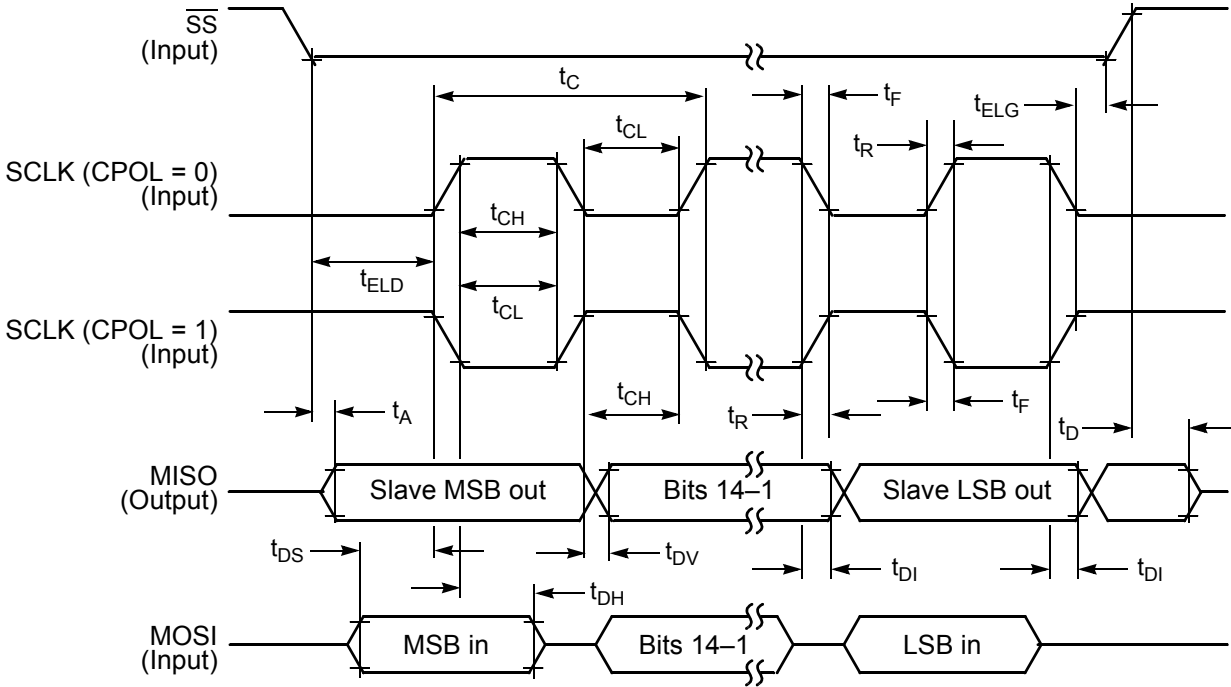


Figure 10-9 SPI Slave Timing (CPHA = 0)

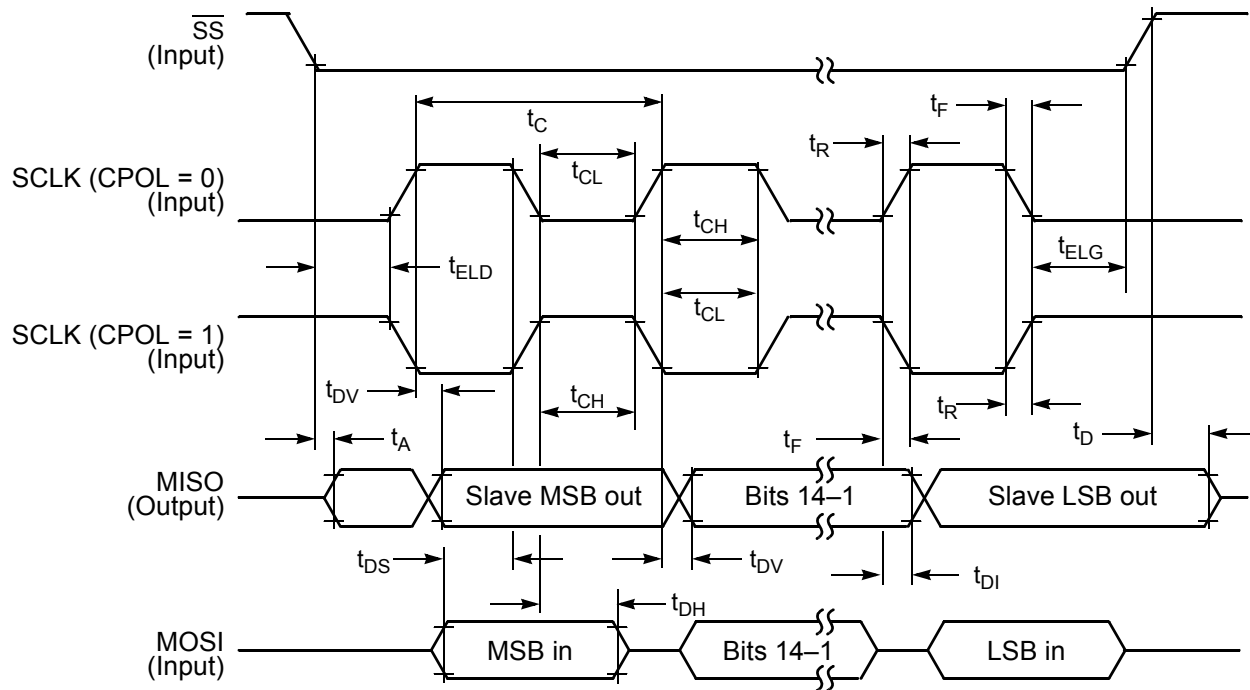


Figure 10-10 SPI Slave Timing (CPHA = 1)

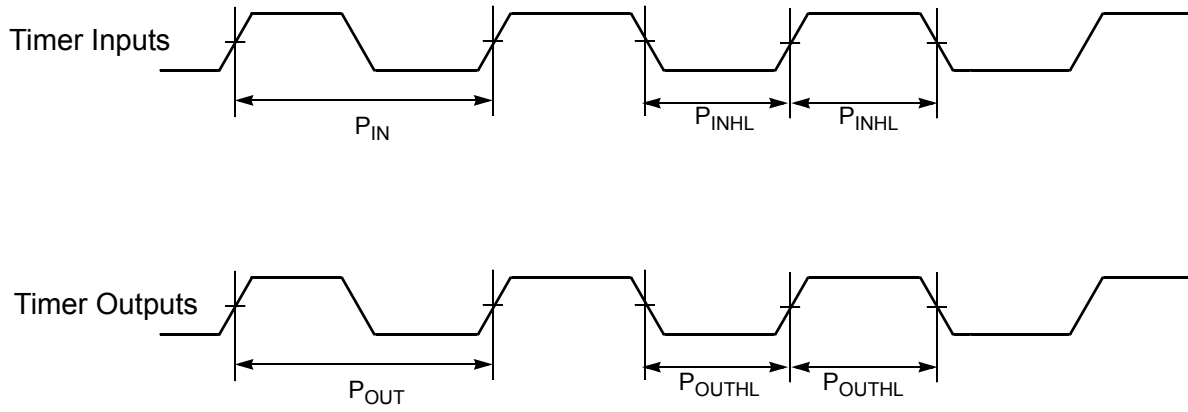
## 10.10 Quad Timer Timing

Table 10-15 Timer Timing<sup>1, 2</sup>

Characteristic	Symbol	Min	Max	Unit	See Figure
Timer input period	$P_{IN}$	$2T + 6$	—	ns	10-11
Timer input high / low period	$P_{INHL}$	$1T + 3$	—	ns	10-11
Timer output period	$P_{OUT}$	125	—	ns	10-11
Timer output high / low period	$P_{OUTHL}$	50	—	ns	10-11

1. In the formulas listed, T = the clock cycle. For 32MHz operation, T = 31.25ns.

2. Parameters listed are guaranteed by design.



**Figure 10-11 Timer Timing**

## 10.11 Queued Serial Communication Interface (QSCI) Timing

**Table 10-16 QSCI Timing<sup>1</sup>**

Characteristic	Symbol	Min	Max	Unit	See Figure
Baud Rate <sup>2</sup>	BR	—	( $f_{MAX}/16$ )	Mbps	—
RXD <sup>3</sup> Pulse Width	RXD <sub>PW</sub>	0.965/BR	1.04/BR	ns	<a href="#">10-12</a>
TXD <sup>4</sup> Pulse Width	TXD <sub>PW</sub>	0.965/BR	1.04/BR	ns	<a href="#">10-13</a>
LIN Slave Mode					
Deviation of slave node clock from nominal clock rate before synchronization	F <sub>TOL_UNSYNCH</sub>	-14	14	%	—
Deviation of slave node clock relative to the master node clock after synchronization	F <sub>TOL_SYNCH</sub>	-2	2	%	—
Minimum break character length	T <sub>BREAK</sub>	13	—	Master node bit periods	—
		11	—	Slave node bit periods	—

1. Parameters listed are guaranteed by design.

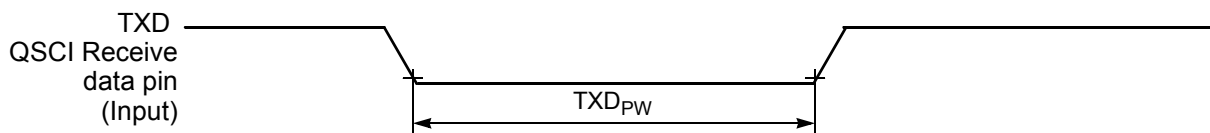
2.  $f_{MAX}$  is the frequency of operation of the system clock in MHz, which is 32MHz for the 56F8037/56F8027 device.

3. The RXD pin in QSCI0 is named RXD0 and the RXD pin in QSCI1 is named RXD1.

4. The TXD pin in QSCI0 is named TXD0 and the TXD pin in QSCI1 is named TXD1.



**Figure 10-12 RXD Pulse Width**



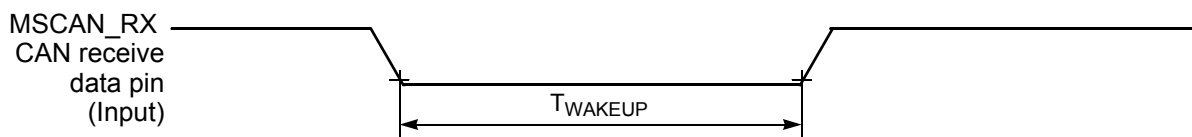
**Figure 10-13 TXD Pulse Width**

## 10.12 Freescale's Scalable Controller Area Network (MSCAN) Timing

**Table 10-17 MSCAN Timing<sup>1</sup>**

Characteristic	Symbol	Min	Max	Unit
Baud rate	BR <sub>CAN</sub>	—	1	Mbps
Bus wake-up detection	T <sub>WAKEUP</sub>	T <sub>IPBUS</sub>	—	μs

1. Parameters listed are guaranteed by design



**Figure 10-14 Bus Wake-up Detection**

## 10.13 Inter-Integrated Circuit Interface (I<sup>2</sup>C) Timing

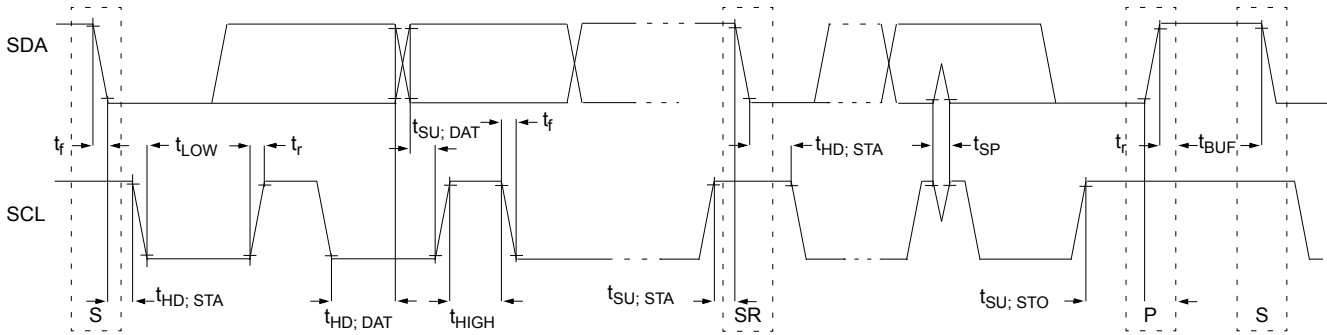
**Table 10-18 I<sup>2</sup>C Timing**

Characteristic	Symbol	Standard Mode		Fast Mode		Unit
		Minimum	Maximum	Minimum	Maximum	
SCL Clock Frequency	f <sub>SCL</sub>	0	100	0	400	kHz
Hold time (repeated) START condition. After this period, the first clock pulse is generated.	t <sub>HD; STA</sub>	4.0	—	0.6	—	μs
LOW period of the SCL clock	t <sub>LOW</sub>	4.7	—	1.3	—	μs
HIGH period of the SCL clock	t <sub>HIGH</sub>	4.0	—	0.6	—	μs
Set-up time for a repeated START condition	t <sub>SU; STA</sub>	4.7	—	0.6	—	μs
Data hold time for I <sup>2</sup> C bus devices	t <sub>HD; DAT</sub>	0 <sup>1</sup>	3.45 <sup>2</sup>	0 <sup>1</sup>	0.9 <sup>2</sup>	μs
Data set-up time	t <sub>SU; DAT</sub>	250 <sup>3</sup>	—	100 <sup>3, 4</sup>	—	ns
Rise time of both SDA and SCL signals	t <sub>r</sub>	—	1000	20 + 0.1C <sub>b</sub> <sup>5</sup>	300	ns
Fall time of both SDA and SCL signals	t <sub>f</sub>	—	300	20 + 0.1C <sub>b</sub> <sup>5</sup>	300	ns

**Table 10-18 I<sup>2</sup>C Timing (Continued)**

Characteristic	Symbol	Standard Mode		Fast Mode		Unit
		Minimum	Maximum	Minimum	Maximum	
Set-up time for STOP condition	$t_{SU; STO}$	4.0	—	0.6	—	$\mu$ s
Bus free time between STOP and START condition	$t_{BUF}$	4.7	—	1.3	—	$\mu$ s
Pulse width of spikes that must be suppressed by the input filter	$t_{SP}$	N/A	N/A	0	50	ns

1. The master mode I<sup>2</sup>C deasserts ACK of an address byte simultaneously with the falling edge of SCL. If no slaves acknowledge this address byte, a negative hold time can result, depending on the edge rates of the SDA and SCL lines.
2. The maximum  $t_{HD; DAT}$  must be met only if the device does not stretch the LOW period ( $t_{LOW}$ ) of the SCL signal.
3. Set-up time in slave-transmitter mode is 1 IPBus clock period, if the TX FIFO is empty.
4. A Fast mode I<sup>2</sup>C bus device can be used in a Standard mode I<sup>2</sup>C bus system, but the requirement  $t_{SU; DAT} \geq 250$ ns must then be met. This will automatically be the case if the device does not stretch the LOW period of the SCL signal. If such a device does stretch the LOW period of the SCL signal, it must output the next data bit to the SDA line  $t_{rmax} + t_{SU; DAT} = 1000 + 250 = 1250$ ns (according to the Standard mode I<sup>2</sup>C bus specification) before the SCL line is released.
5.  $C_b$  = total capacitance of the one bus line in pF



**Figure 10-15 Timing Definition for Fast and Standard Mode Devices on the I<sup>2</sup>C Bus**

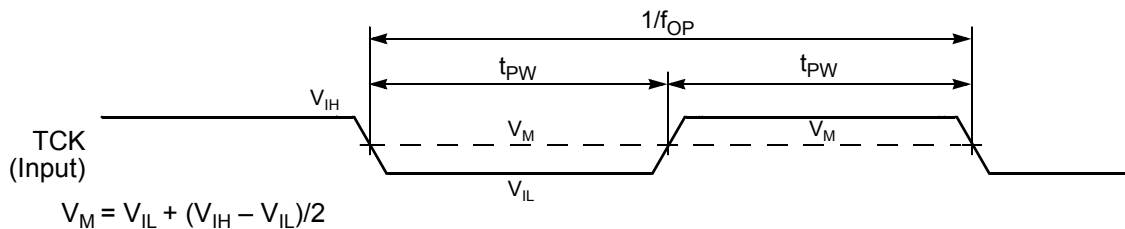


## 10.14 JTAG Timing

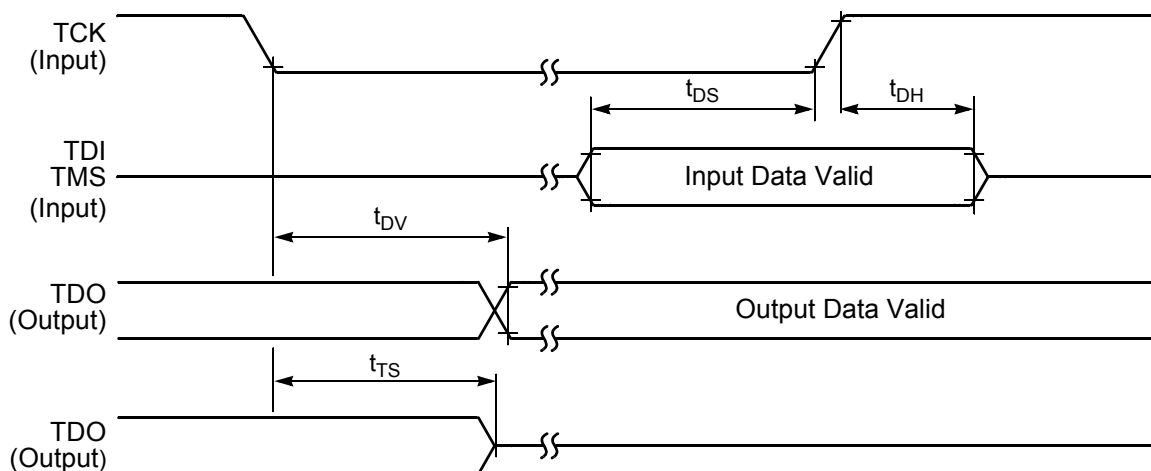
**Table 10-19 JTAG Timing**

Characteristic	Symbol	Min	Max	Unit	See Figure
TCK frequency of operation <sup>1</sup>	$f_{OP}$	DC	SYS_CLK/8	MHz	<a href="#">10-16</a>
TCK clock pulse width	$t_{PW}$	50	—	ns	<a href="#">10-16</a>
TMS, TDI data set-up time	$t_{DS}$	5	—	ns	<a href="#">10-17</a>
TMS, TDI data hold time	$t_{DH}$	5	—	ns	<a href="#">10-17</a>
TCK low to TDO data valid	$t_{DV}$	—	30	ns	<a href="#">10-17</a>
TCK low to TDO tri-state	$t_{TS}$	—	30	ns	<a href="#">10-17</a>

1. TCK frequency of operation must be less than 1/8 the processor rate.



**Figure 10-16 Test Clock Input Timing Diagram**



**Figure 10-17 Test Access Port Timing Diagram**

## 10.15 Analog-to-Digital Converter (ADC) Parameters

Table 10-20 ADC Parameters<sup>1</sup>

Parameter	Symbol	Min	Typ	Max	Unit
<b>DC Specifications</b>					
Resolution	$R_{ES}$	12	—	12	Bits
ADC internal clock	$f_{ADIC}$	0.1	—	5.33	MHz
Conversion range	$R_{AD}$	$V_{REFL}$	—	$V_{REFH}$	V
ADC power-up time <sup>2</sup>	$t_{ADPU}$	—	6	13	$t_{AIC}$ cycles <sup>3</sup>
Recovery from auto standby	$t_{REC}$	—	0	1	$t_{AIC}$ cycles <sup>3</sup>
Conversion time	$t_{ADC}$	—	6	—	$t_{AIC}$ cycles <sup>3</sup>
Sample time	$t_{ADS}$	—	1	—	$t_{AIC}$ cycles <sup>3</sup>
<b>Accuracy</b>					
Integral non-linearity <sup>4</sup> (Full input signal range)	INL	—	+/- 3	+/- 5	LSB <sup>5</sup>
Differential non-linearity	DNL	—	+/- .6	+/- 1	LSB <sup>5</sup>
Monotonicity	GUARANTEED				
Offset Voltage Internal Ref	$V_{OFFSET}$	—	+/- 4	+/- 9	mV
Offset Voltage External Ref	$V_{OFFSET}$	—	+/- 6	+/- 12	mV
Gain Error (transfer gain)	$E_{GAIN}$	—	.998 to 1.002	1.01 to .99	—
<b>ADC Inputs<sup>6</sup> (Pin Group 3)</b>					
Input voltage (external reference)	$V_{ADIN}$	$V_{REFL}$	—	$V_{REFH}$	V
Input voltage (internal reference)	$V_{ADIN}$	$V_{SSA}$	—	$V_{DDA}$	V
Input leakage	$I_{IA}$	—	0	+/- 2	$\mu$ A
$V_{REFH}$ current	$I_{VREFH}$	—	0	—	$\mu$ A
Input injection current <sup>7</sup> , per pin	$I_{ADI}$	—	—	3	mA
Input capacitance	$C_{ADI}$	—	See <a href="#">Figure 10-18</a>	—	pF
Input impedance	$X_{IN}$	—	See <a href="#">Figure 10-18</a>	—	Ohms
<b>AC Specifications</b>					
Signal-to-noise ratio	SNR	60	65		dB
Total Harmonic Distortion	THD	60	64		dB
Spurious Free Dynamic Range	SFDR	61	66		dB
Signal-to-noise plus distortion	SINAD	58	62		dB
Effective Number Of Bits	ENOB	—	10.0		Bits

1. All measurements were made at  $V_{DD} = 3.3V$ ,  $V_{REFH} = 3.3V$ , and  $V_{REFL} = \text{ground}$

2. Includes power-up of ADC and  $V_{REF}$

3. ADC clock cycles

4. INL measured from  $V_{IN} = V_{REFL}$  to  $V_{IN} = V_{REFH}$

5. LSB = Least Significant Bit = 0.806mV

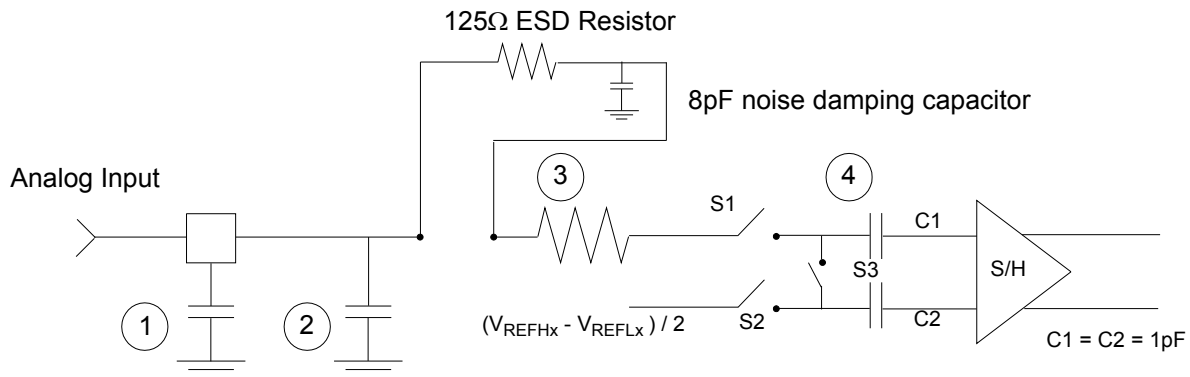
6. Pin groups are detailed following [Table 10-1](#).

7. The current that can be injected or sourced from an unselected ADC signal input without impacting the performance of the ADC.

## 10.16 Equivalent Circuit for ADC Inputs

**Figure 10-18** illustrates the ADC input circuit during sample and hold. S1 and S2 are always open/closed at the same time that S3 is closed/open. When S1/S2 are closed and S3 is open, one input of the sample and hold circuit moves to  $(V_{REFHx} - V_{REFLx}) / 2$ , while the other charges to the analog input voltage. When the switches are flipped, the charge on C1 and C2 are averaged via S3, with the result that a single-ended analog input is switched to a differential voltage centered about  $(V_{REFHx} - V_{REFLx}) / 2$ . The switches switch on every cycle of the ADC clock (open one-half ADC clock, closed one-half ADC clock). Note that there are additional capacitances associated with the analog input pad, routing, etc., but these do not filter into the S/H output voltage, as S1 provides isolation during the charge-sharing phase.

One aspect of this circuit is that there is an on-going input current, which is a function of the analog input voltage,  $V_{REF}$ , and the ADC clock frequency.



1. Parasitic capacitance due to package, pin-to-pin and pin-to-package base coupling; 1.8pF
2. Parasitic capacitance due to the chip bond pad, ESD protection devices and signal routing; 2.04pF
3. Equivalent resistance for the channel select mux; 100 ohms
4. Sampling capacitor at the sample and hold circuit. Capacitor C1 is normally disconnected from the input and is only connected to it at sampling time; 1.4pF

**Figure 10-18 Equivalent Circuit for A/D Loading**

## 10.17 Comparator (CMP) Parameters

**Table 10-21 CMP Parameters**

Parameter	Conditions/Comments	Symbol	Min	Typ	Max	Unit
Input Offset Voltage <sup>1</sup>	Within range of $V_{DDA} - .1V$ to $V_{SSA} + .1V$	$V_{OFFSET}$	—	±10	±35	mV
Input Propagation Delay		$t_{PD}$	—	35	45	ns
Power-up time		$t_{CPU}$	—	TBD	TBD	

1. No guaranteed specification within 0.1V of  $V_{DDA}$  or  $V_{SSA}$

## 10.18 Digital-to-Analog Converter (DAC) Parameters

Table 10-22 DAC Parameters

Parameter	Conditions/Comments	Symbol	Min	Typ	Max	Unit
<b>DC Specifications</b>						
Resolution			12		12	bits
Conversion time			TBD	—	2	$\mu$ S
Conversion rate			TBD	—	500.000	conv/sec
Power-up time	Time from release of PWRDWN signal until DACOUT signal is valid	$t_{DAPU}$	—	—	11	$\mu$ S
<b>Accuracy</b>						
Integral non-linearity <sup>1</sup>	Range of input digital words: 410 to 3891 (\$19A - \$F33) 5% to 95% of full range	INL	—	+/- 3	+/- 8.0	LSB <sup>2</sup>
Differential non-linearity <sup>1</sup>	Range of input digital words: 410 to 3891 (\$19A - \$F33) 5% to 95% of full range	DNL	—	+/- .8	< - 1	LSB <sup>2</sup>
Monotonicity	> 6 sigma monotonicity, < 3.4 ppm non-monotonicity		guaranteed			—
Offset error <sup>1</sup>	Range of input digital words: 410 to 3891 (\$19A - \$F33) 5% to 95% of full range	$V_{OFFSET}$	—	+/- 25	+/- 40	mV
Gain error <sup>1</sup>	Range of input digital words: 410 to 3891 (\$19A - \$F33) 5% to 95% of full range	$E_{GAIN}$	—	+/- .5	+/- 1.5	%
<b>DAC Output</b>						
Output voltage range	Within 40mV of either $V_{REFLX}$ or $V_{REFHX}$	$V_{OUT}$	$V_{REFLX}$ +.04V	—	$V_{REFHX}$ - .04V	V
Short circuit current	DACOUT shorted to ground with input digital word = \$FFF	$I_{SC}$	—	70	100	mA
	DACOUT shorted to $V_{DDA}$ with input digital word = \$000	$I_{SC}$	—	50	75	
<b>AC Specifications</b>						
Signal-to-noise ratio		SNR	—	TBD	—	dB
Spurious free dynamic range		SFDR	—	TBD	—	dB
Effective number of bits		ENOB	9	—	—	bits

1. No guaranteed specification within 5% of  $V_{DDA}$  or  $V_{SSA}$

2. LSB = 0.806mV

## 10.19 Power Consumption

See [Section 10.1](#) for a list of IDD requirements for the 56F8037/56F8027. This section provides additional detail which can be used to optimize power consumption for a given application.

Power consumption is given by the following equation:

$$\begin{aligned} \text{Total power} = & \text{ A: internal [static component]} \\ & +\text{B: internal [state-dependent component]} \\ & +\text{C: internal [dynamic component]} \\ & +\text{D: external [dynamic component]} \\ & +\text{E: external [static component]} \end{aligned}$$

A, the internal [static component], is comprised of the DC bias currents for the oscillator, leakage currents, PLL, and voltage references. These sources operate independently of processor state or operating frequency.

B, the internal [state-dependent component], reflects the supply current required by certain on-chip resources only when those resources are in use. These include RAM, Flash memory and the ADCs.

C, the internal [dynamic component], is classic  $C \cdot V^2 \cdot F$  CMOS power dissipation corresponding to the 56800E core and standard cell logic.

D, the external [dynamic component], reflects power dissipated on-chip as a result of capacitive loading on the external pins of the chip. This is also commonly described as  $C \cdot V^2 \cdot F$ , although simulations on two of the I/O cell types used on the 56800E reveal that the power-versus-load curve does have a non-zero Y-intercept.

**Table 10-23 I/O Loading Coefficients at 10MHz**

	Intercept	Slope
8mA drive	1.3	0.11mW / pF
4mA drive	1.15mW	0.11mW / pF

Power due to capacitive loading on output pins is (first order) a function of the capacitive load and frequency at which the outputs change. [Table 10-23](#) provides coefficients for calculating power dissipated in the I/O cells as a function of capacitive load. In these cases:

$$\text{TotalPower} = \Sigma((\text{Intercept} + \text{Slope} \cdot \text{Cload}) \cdot \text{frequency} / 10\text{MHz})$$

where:

- Summation is performed over all output pins with capacitive loads
- TotalPower is expressed in mW
- Cload is expressed in pF

Because of the low duty cycle on most device pins, power dissipation due to capacitive loads was found to be fairly low when averaged over a period of time.

E, the external [static component], reflects the effects of placing resistive loads on the outputs of the device. Sum the total of all  $V^2/R$  or  $IV$  to arrive at the resistive load contribution to power. Assume  $V = 0.5$  for the purposes of these rough calculations. For instance, if there is a total of eight PWM outputs driving 10mA into LEDs, then  $P = 8 * .5 * .01 = 40\text{mW}$ .

In previous discussions, power consumption due to parasitics associated with pure input pins is ignored, as it is assumed to be negligible.

## Part 11 Packaging

### 11.1 56F8037/56F8027 Package and Pin-Out Information

This section contains package and pin-out information for the 56F8037/56F8027. This device comes in a 64-pin Low-profile Quad Flat Pack (LQFP). **Figure 11-1** shows the package outline, **Figure 11-2** shows the mechanical parameters and **Table 11-1** lists the pin-out.

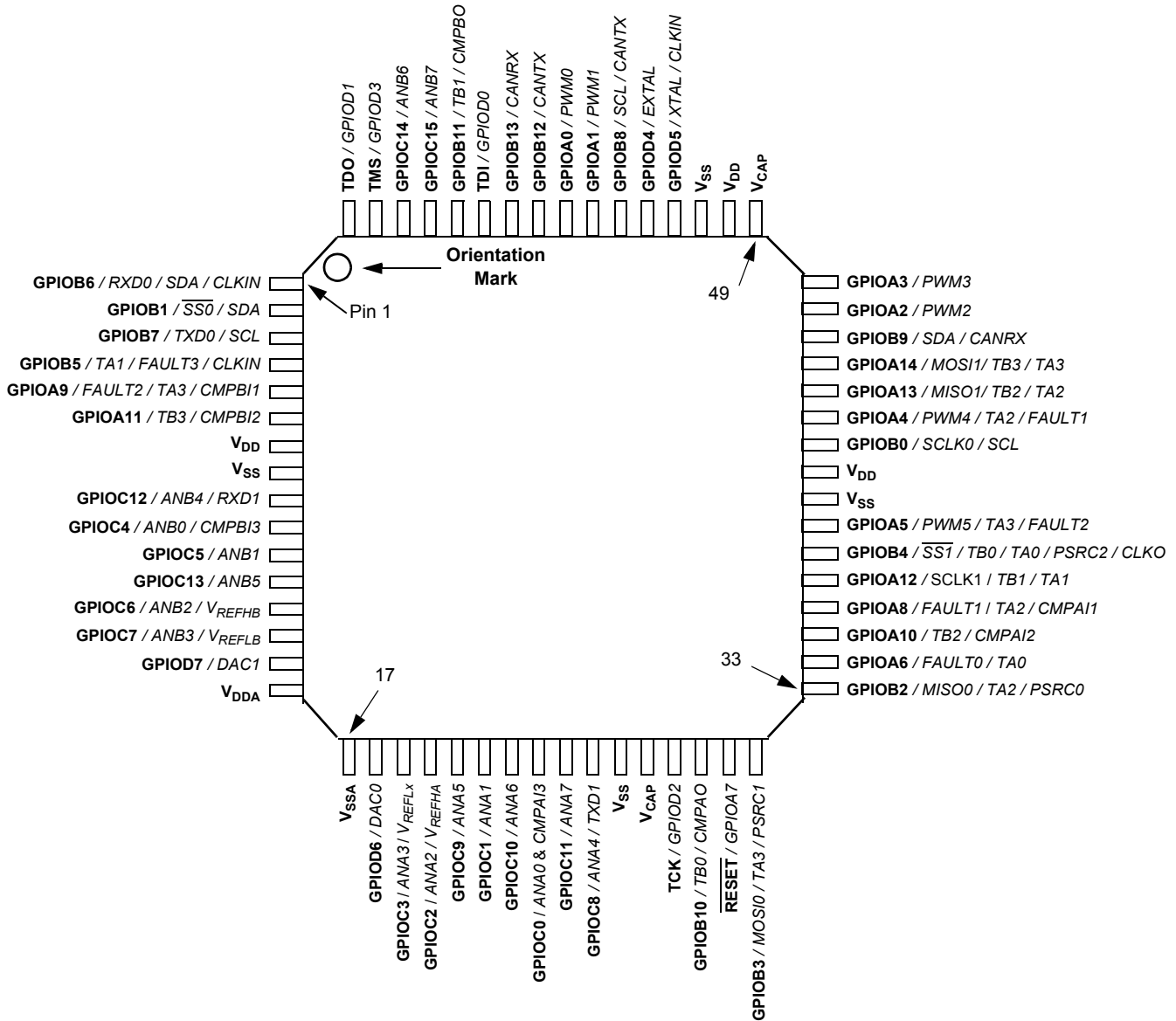


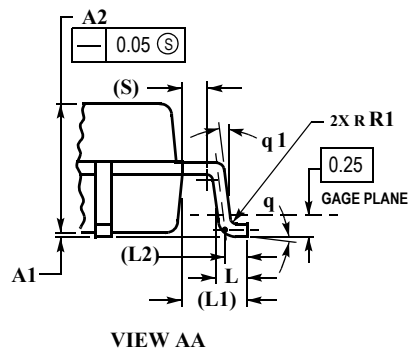
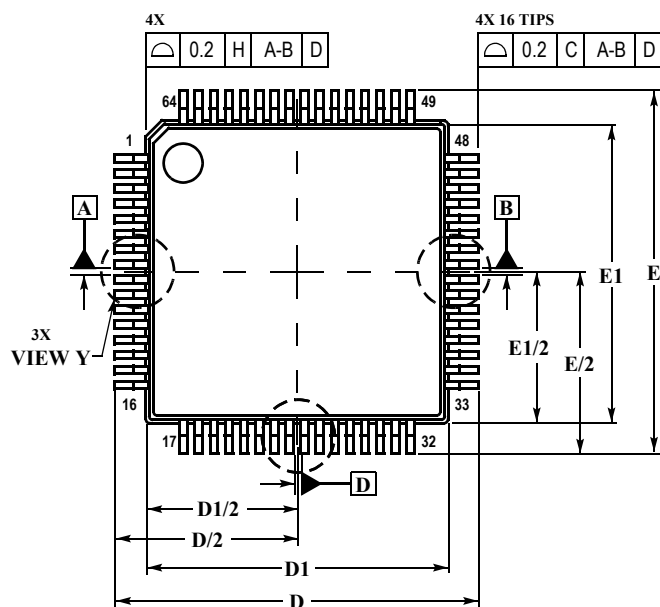
Figure 11-1 Top View, 56F8037/56F8027 64-Pin LQFP Package

**Table 11-1 56F8037/56F8027 64-Pin LQFP Package Identification by Pin Number<sup>1</sup>**

Pin #	Signal Name	Pin #	Signal Name	Pin #	Signal Name	Pin #	Signal Name
1	<b>GPIOB6</b> <i>RXD0 / SDA / CLKIN</i>	17	<b>V<sub>SSA</sub></b>	33	<b>GPIOB2</b> <i>MISO0 / TA2 / PSRC0</i>	49	<b>V<sub>CAP</sub></b>
2	<b>GPIOB1</b> <i>SS0 / SDA</i>	18	<b>GPIOD6</b> <i>DAC0</i>	34	<b>GPIOA6</b> <i>FAULT0 / TA0</i>	50	<b>V<sub>DD</sub></b>
3	<b>GPIOB7</b> <i>TXD0 / SCL</i>	19	<b>GPIOC3</b> <i>ANA3 / V<sub>REFLA</sub></i>	35	<b>GPIOA10</b> <i>TB2 / CMPAI2</i>	51	<b>V<sub>SS</sub></b>
4	<b>GPIOB5</b> <i>TA1 / FAULT3 / CLKIN</i>	20	<b>GPIOC2</b> <i>ANA2 / V<sub>REFHA</sub></i>	36	<b>GPIOA8</b> <i>FAULT1 / TA2 / CMPAI1</i>	52	<b>GPIOD5</b> <i>XTAL / CLKIN</i>
5	<b>GPIOA9</b> <i>FAULT2 / TA3 / CMPBI1</i>	21	<b>GPIOC9</b> <i>ANA5</i>	37	<b>GPIOA12</b> <i>SCLK1 / TB1 / TA1</i>	53	<b>GPIOD4</b> <i>EXTAL</i>
6	<b>GPIOA11</b> <i>TB3 / CMPBI2</i>	22	<b>GPIOC1</b> <i>ANA1</i>	38	<b>GPIOB4</b> <i>SS1 / TB0 / TA0 / PSRC2 / CLKO</i>	54	<b>GPIOB8</b> <i>SCL / CANTX</i>
7	<b>V<sub>DD</sub></b>	23	<b>GPIOC10</b> <i>ANA6</i>	39	<b>GPIOA5</b> <i>PWM5 / TA3 / FAULT2</i>	55	<b>GPIOA1</b> <i>PWM1</i>
8	<b>V<sub>SS</sub></b>	24	<b>GPIOC0</b> <i>ANA0 &amp; CMPAI3</i>	40	<b>V<sub>SS</sub></b>	56	<b>GPIOA0</b> <i>PWM0</i>
9	<b>GPIOC12</b> <i>ANB4 / RXD1</i>	25	<b>GPIOC11</b> <i>ANA7</i>	41	<b>V<sub>DD</sub></b>	57	<b>GPIOB12</b> <i>CANTX</i>
10	<b>GPIOC4</b> <i>ANB0 &amp; CMPBI3</i>	26	<b>GPIOC8</b> <i>ANA4 / TXD1</i>	42	<b>GPIOB0</b> <i>SCLK0 / SCL</i>	58	<b>GPIOB13</b> <i>CANRX</i>
11	<b>GPIOC5</b> <i>ANB1</i>	27	<b>V<sub>SS</sub></b>	43	<b>GPIOA4</b> <i>PWM4 / TA2 / FAULT1</i>	59	<b>TDI</b> <i>GPIOD0</i>
12	<b>GPIOC13</b> <i>ANB5</i>	28	<b>V<sub>CAP</sub></b>	44	<b>GPIOA13</b> <i>MISO1 / TB2 / TA2</i>	60	<b>GPIOB11</b> <i>TB1 / CMPBO</i>
13	<b>GPIOC6</b> <i>ANB2 / V<sub>REFHB</sub></i>	29	<b>TCK</b> <i>GPIOD2</i>	45	<b>GPIOA14</b> <i>MOSI1 / TB3 / TA3</i>	61	<b>GPIOC15</b> <i>ANB7</i>
14	<b>GPIOC7</b> <i>ANB3 / V<sub>REFLB</sub></i>	30	<b>GPIOB10</b> <i>TB0 / CMPAO</i>	46	<b>GPIOB9</b> <i>SDA / CANRX</i>	62	<b>GPIOC14</b> <i>ANB6</i>
15	<b>GPIOD7</b> <i>DAC1</i>	31	<b>RESET</b> <i>GPIOA7</i>	47	<b>GPIOA2</b> <i>PWM2</i>	63	<b>TMS</b> <i>GPIOD3</i>
16	<b>V<sub>DDA</sub></b>	32	<b>GPIOB3</b> <i>MOSI0 / TA3 / PSRC1</i>	48	<b>GPIOA3</b> <i>PWM3</i>	64	<b>TDO</b> <i>GPIOD1</i>

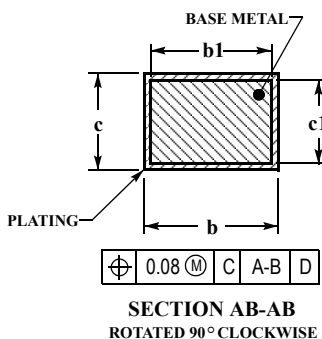
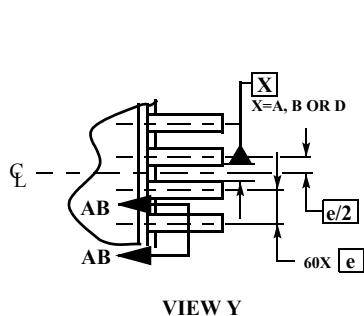
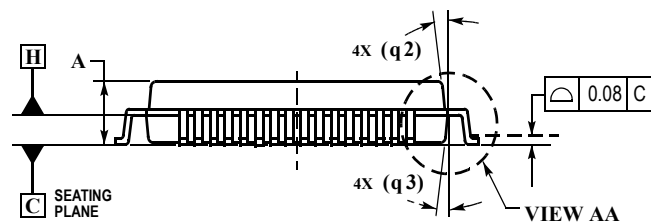
1. Alternate signals are in italic





## NOTES:

- DIMENSIONS AND TOLERANCING PER ANSI Y14.5M, 1982.
- CONTROLLING DIMENSION: MILLIMETER.
- DATUM PLANE DATUM H IS LOCATED AT BOTTOM OF LEAD AND IS COINCIDENT WITH THE LEAD WHERE THE LEAD EXITS THE PLASTIC BODY AT THE BOTTOM OF THE PARTING LINE.
- DATUMS A, B AND D TO BE DETERMINED AT DATUM PLANE DATUM C.
- DIMENSIONS D AND E TO BE DETERMINED AT SEATING PLANE DATUM C.
- DIMENSIONS D1 AND E1 DO NOT INCLUDE MOLD PROTRUSION. ALLOWABLE PROTRUSION IS 0.25 PER SIDE.
- DIMENSION b DOES NOT INCLUDE DAMBAR PROTRUSION. DAMBAR PROTRUSION SHALL NOT CAUSE THE b DIMENSION TO EXCEED 0.35. MINIMUM SPACE BETWEEN PROTRUSION AND ADJACENT LEAD OR PROTRUSION 0.07.



DIM	MILLIMETERS	
	MIN	MAX
A	---	1.60
A1	0.05	0.15
A2	1.35	1.45
b	0.17	0.27
b1	0.17	0.23
c	0.09	0.20
c1	0.09	0.16
D	12.00	BSC
D1	10.00	BSC
e	0.50	BSC
E	12.00	BSC
E1	10.00	BSC
L	0.45	0.75
L1	1.00	REF
L2	0.50	REF
R1	0.10	0.20
S	0.20	REF
q	0°	7°
q1	0°	---
q2	12°	REF
q3	12°	REF

Figure 11-2 56F8037/56F8027 64-Pin LQFP Mechanical Information

Please see [www.freescale.com](http://www.freescale.com) for the most current case outline.

## Part 12 Design Considerations

### 12.1 Thermal Design Considerations

An estimation of the chip junction temperature,  $T_J$ , can be obtained from the equation:

$$T_J = T_A + (R_{\theta JA} \times P_D)$$

where:

$T_A$  = Ambient temperature for the package ( $^{\circ}\text{C}$ )

$R_{\theta JA}$  = Junction-to-ambient thermal resistance ( $^{\circ}\text{C}/\text{W}$ )

$P_D$  = Power dissipation in the package (W)

The junction-to-ambient thermal resistance is an industry-standard value that provides a quick and easy estimation of thermal performance. Unfortunately, there are two values in common usage: the value determined on a single-layer board and the value obtained on a board with two planes. For packages such as the PBGA, these values can be different by a factor of two. Which value is closer to the application depends on the power dissipated by other components on the board. The value obtained on a single layer board is appropriate for the tightly packed printed circuit board. The value obtained on the board with the internal planes is usually appropriate if the board has low-power dissipation and the components are well separated.

When a heat sink is used, the thermal resistance is expressed as the sum of a junction-to-case thermal resistance and a case-to-ambient thermal resistance:

$$R_{\theta JA} = R_{\theta JC} + R_{\theta CA}$$

where:

$R_{\theta JA}$  = Package junction-to-ambient thermal resistance ( $^{\circ}\text{C}/\text{W}$ )

$R_{\theta JC}$  = Package junction-to-case thermal resistance ( $^{\circ}\text{C}/\text{W}$ )

$R_{\theta CA}$  = Package case-to-ambient thermal resistance ( $^{\circ}\text{C}/\text{W}$ )

$R_{\theta JC}$  is device related and cannot be influenced by the user. The user controls the thermal environment to change the case to ambient thermal resistance,  $R_{\theta CA}$ . For instance, the user can change the size of the heat sink, the air flow around the device, the interface material, the mounting arrangement on printed circuit board, or change the thermal dissipation on the printed circuit board surrounding the device.

To determine the junction temperature of the device in the application when heat sinks are not used, the Thermal Characterization Parameter ( $\Psi_{JT}$ ) can be used to determine the junction temperature with a measurement of the temperature at the top center of the package case using the following equation:

$$T_J = T_T + (\Psi_{JT} \times P_D)$$

where:

$T_T$  = Thermocouple temperature on top of package ( $^{\circ}\text{C}$ )

$\Psi_{JT}$  = Thermal characterization parameter ( $^{\circ}\text{C}/\text{W}$ )

$P_D$  = Power dissipation in package (W)

The thermal characterization parameter is measured per JESD51-2 specification using a 40-gauge type T thermocouple epoxied to the top center of the package case. The thermocouple should be positioned so that the thermocouple junction rests on the package. A small amount of epoxy is placed over the thermocouple junction and over about 1mm of wire extending from the junction. The thermocouple wire is placed flat against the package case to avoid measurement errors caused by cooling effects of the thermocouple wire.

When heat sink is used, the junction temperature is determined from a thermocouple inserted at the interface between the case of the package and the interface material. A clearance slot or hole is normally required in the heat sink. Minimizing the size of the clearance is important to minimize the change in thermal performance caused by removing part of the thermal interface to the heat sink. Because of the experimental difficulties with this technique, many engineers measure the heat sink temperature and then back-calculate the case temperature using a separate measurement of the thermal resistance of the interface. From this case temperature, the junction temperature is determined from the junction-to-case thermal resistance.

## 12.2 Electrical Design Considerations

### CAUTION

**This device contains protective circuitry to guard against damage due to high static voltage or electrical fields. However, normal precautions are advised to avoid application of any voltages higher than maximum-rated voltages to this high-impedance circuit. Reliability of operation is enhanced if unused inputs are tied to an appropriate voltage level.**

Use the following list of considerations to assure correct operation of the 56F8037/56F8027:

- Provide a low-impedance path from the board power supply to each  $V_{DD}$  pin on the 56F8037/56F8027 and from the board ground to each  $V_{SS}$  (GND) pin
- The minimum bypass requirement is to place 0.01–0.1 $\mu$ F capacitors positioned as close as possible to the package supply pins. The recommended bypass configuration is to place one bypass capacitor on each of the  $V_{DD}/V_{SS}$  pairs, including  $V_{DDA}/V_{SSA}$ . Ceramic and tantalum capacitors tend to provide better tolerances.
- Ensure that capacitor leads and associated printed circuit traces that connect to the chip  $V_{DD}$  and  $V_{SS}$  (GND) pins are as short as possible
- Bypass the  $V_{DD}$  and  $V_{SS}$  with approximately 100 $\mu$ F, plus the number of 0.1 $\mu$ F ceramic capacitors
- PCB trace lengths should be minimal for high-frequency signals
- Consider all device loads as well as parasitic capacitance due to PCB traces when calculating capacitance. This is especially critical in systems with higher capacitive loads that could create higher transient currents in the  $V_{DD}$  and  $V_{SS}$  circuits.



- Take special care to minimize noise levels on the  $V_{REF}$ ,  $V_{DDA}$ , and  $V_{SSA}$  pins
- Using separate power planes for  $V_{DD}$  and  $V_{DDA}$  and separate ground planes for  $V_{SS}$  and  $V_{SSA}$  are recommended. Connect the separate analog and digital power and ground planes as close as possible to power supply outputs. If both analog circuit and digital circuit are powered by the same power supply, it is advisable to connect a small inductor or ferrite bead in serial with both  $V_{DDA}$  and  $V_{SSA}$  traces.
- It is highly desirable to physically separate analog components from noisy digital components by ground planes. Do not place an analog trace in parallel with digital traces. It is also desirable to place an analog ground trace around an analog signal trace to isolate it from digital traces.
- Because the Flash memory is programmed through the JTAG/EOnCE port, QSPI, QSCI, or I<sup>2</sup>C, the designer should provide an interface to this port if in-circuit Flash programming is desired
- If desired, connect an external RC circuit to the  $\overline{RESET}$  pin. The Resistor value should be in the range of 4.7k—10k; the Capacitor value should be in the range of 0.22 $\mu$ f - 4.7 $\mu$ f.
- Add a 3.3k external pull-up on the TMS pin of the JTAG port to keep EOnce in a restate during normal operation if JTAG converter is not present
- During reset and after reset but before I/O initialization, all I/O pins are at input state with internal pull-up enable. The typical value of internal pull-up is around 110K. These internal pull-ups can be disabled by software.
- To eliminate PCB trace impedance effect, each ADC input should have a 33pf-10 ohm RC filter
- Device GPIOs have only a down (substrate) diode on the GPIO circuit. Devices do not have a positive clamp diode because GPIOs use a floating gate structure to tolerate 5V input. The absolute maximum clamp current is -20mA at  $V_{in}$  less than 0V. The continuous clamp current is -2mA at  $V_{in}$  less than 0V. If positive voltage spikes are a concern, a positive clamp is recommended.

## Part 13 Ordering Information

**Table 13-1** lists the pertinent information needed to place an order. Consult a Freescale Semiconductor sales office or authorized distributor to determine availability and to order devices.

**Table 13-1 56F8037/56F8027 Ordering Information**

Device	Supply Voltage	Package Type	Pin Count	Frequency (MHz)	Ambient Temperature Range	Order Number
MC56F8037	3.0–3.6 V	Low-Profile Quad Flat Pack (LQFP)	64	32	-40° to + 105° C	MC56F8037VLH*
MC56F8027	3.0–3.6 V	Low-Profile Quad Flat Pack (LQFP)	64	32	-40° to + 105° C	MC56F8027VLH*
MC56F8037	3.0–3.6 V	Low-Profile Quad Flat Pack (LQFP)	64	32	-40° to + 125° C	MC56F8037MLH*
MC56F8027	3.0–3.6 V	Low-Profile Quad Flat Pack (LQFP)	64	32	-40° to + 125° C	MC56F8027MLH*

\* This package is RoHS compliant.

## Part 14 Appendix

Register acronyms are revised from previous device data sheets to provide a cleaner register description. A cross reference to legacy and revised acronyms are provided in the following table.

**Table 14-1 Legacy and Revised Acronyms**

Register Name	Peripheral Reference Manual		Data Sheet		Processor Expert Acronym	Memory Address	
	New Acronym	Legacy Acronym	New Acronym	Legacy Acronym		Start	End
<b>Analog-to-Digital Converter (ADC) Module</b>							
Control 1 Register	CTRL1	ADCR1	ADC_CTRL1	ADC_ADCR1	ADC_ADCR1	0xF080	
Control 2 Register	CTRL2	ADCR2	ADC_CTRL2	ADC_ADCR2	ADC_ADCR2	0xF081	
Zero Crossing Control Register	ZXCTRL	ADZCC	ADC_ZXCTRL	ADC_ADZCC	ADC_ADZCC	0xF082	
Channel List 1 Register	CLIST1	ADLST1	ADC_CLIST1	ADC_ADLST1	ADC_ADLST1	0xF083	
Channel List 2 Register	CLIST2	ADLST2	ADC_CLIST2	ADC_ADLST2	ADC_ADLST2	0xF084	
Channel List 3 Register	CLIST3		ADC_CLIST3	ADC_ADCLST3	ADC_ADCLST3	0xF085	
Channel List 4 Register	CLIST4		ADC_CLIST4	ADC_ADCLST4	ADC_ADCLST4	0xF086	
Sample Disable Register	SDIS	ADSDIS	ADC_SDIS	ADC_ADSDIS	ADC_ADSDIS	0xF087	
Status Register	STAT	ADSTAT	ADC_STAT	ADC_ADSTAT	ADC_ADSTAT	0xF088	
Conversion Ready Register	RDY		ADC_CNRDY	ADC_ADCNRDY	ADC_ADCNRDY	0xF089	
Limit Status Register	LIMSTAT	ADLSTAT	ADC_LIMSTAT	ADC_ADLSTAT	ADC_ADLSTAT	0xF08A	
Zero Crossing Status Register	ZXSTAT	ADZCSTAT	ADC_ZXSTAT	ADC_ADZCSTAT	ADC_ADZCSTAT	0xF08B	
Result 0-7 Registers	RSLT0-7	ADRSLT0-7	ADC_RSLT0-7	ADC_ADRSLT0-7	ADC_ADRSLT0-7	0xF08C	0XF093
Result 8-15 Registers	RSLT8-15		ADC_RSLT8-15	ADC_ADRSLT8-15	ADC_ADRSLT8-15	0xF094	0XF09B
Low Limit 0-7 Registers	LOLIM0-7	ADLLMT0-7	ADC_LOLIM0-7	ADC_ADLLMT0-7	ADC_ADLLMT0-7	0XF09C	0XF0A3
High Limit 0-7 Registers	HILIM0-7	ADHLMT0-7	ADC_HILIM0-7	ADC_ADHLMT0-7	ADC_ADHLMT0-7	0XF0A4	0XF0AB
Offset 0-7 Registers	OFFST0-7	ADOFFS0-7	ADC_OFFST0-7	ADC_ADOFS0-7	ADC_ADOFS0-7	0XF0AC	0XF0B3
Power Control Register	PWR	ADPOWER	ADC_PWR	ADC_ADPOWER	ADC_ADPOWER	0XF0B4	
Calibration Register	CAL		ADC_CAL	ADC_ADCAL	ADC_ADCAL	0XF0B5	
<b>Computer Operating Properly (COP) Module</b>							
Control Register	CTRL	COPCTL	COP_CTRL	COPCTL	COPCTL	0XF120	
Timeout Register	TOUT	COPTO	COP_TOUT	COPTO	COPTO	0XF121	
Counter Register	CNTR	COPCTR	COP_CNTR	COPCTR	COPCTR	0XF122	

**Table 14-1 Legacy and Revised Acronyms (Continued)**

Register Name	Peripheral Reference Manual		Data Sheet		Processor Expert Acronym	Memory Address	
	New Acronym	Legacy Acronym	New Acronym	Legacy Acronym		Start	End
<b>Inter-Integrated Circuit Interface (I<sup>2</sup>C) Module</b>							
Control Register	CTRL	IBCR	I2C_CTRL	I2C_IBCR	I2C_IBCR		0xF280
Target Address Register	TAR		I2C_TAR	I2CTAR	I2C_TAR		0xF282
Slave Address Register	SAR		I2C_SAR	I2CSAR	I2C_SAR		0xF242
Data Buffer & Command Register	DATA		I2C_DATA	I2C_DATACMD	I2C_DATACMD		0xF288
Standard Speed Clock SCL High Count Register	SSHCNT		I2C_SS_SCL_HCNT	I2C_SS_SCLHCNT	I2C_SS_SCLHCNT		0xF28A
Standard Speed Clock SCL Low Count Register	SSLCNT		I2C_SS_SCL_LCNT	I2C_SS_SCLLCNT	I2C_SS_SCLLCNT		0xF28C
Fast Speed Clock SCL High Count Register	FSHCNT		I2C_FS_SCL_HCNT	I2C_FS_SCLHCNT	I2C_FS_SCLHCNT		0xF28E
Fast Speed Clock SCL Low Count Register	FSLCNT		I2C_FS_SCL_LCNT	I2C_FS_SCLLCNT	I2C_FS_SCLLCNT		0xF290
Interrupt Status Register	ISTAT		I2C_INTR_STAT	I2C_INTRSTAT	I2C_INTRSTAT		0xF296
Interrupt Mask Register	IENBL		I2C_INTR_MASK	I2C_INTRMASK	I2C_INTRMASK		0xF298
Raw Interrupt Status Register	RISTAT		I2C_RAW_INTR_STAT	I2C_RAW_INTRSTAT	I2C_RAW_INTRSTAT		0xF29A
Receive FIFO Threshold Level Register	RXFT		I2C_RXTL		I2C_RXTL		0xF29C
Transmit FIFO Threshold Level Register	TXFT		I2C_TXTL		I2C_TXTL		0xF29E
Clear Combined & Individual Interrupts Register	CLRINT		I2C_CLRINTR		I2C_CLRINTR		0xF2A0
Clear Receive Under Interrupt Register	CLRRXUND		I2C_CLR_RXUNDER		I2C_CLR_RXUNDER		0xF2A2
Clear Receive Over Interrupt Register	CLRRXOVR		I2C_CLROVER		I2C_CLROVER		0xF2A4
Clear Transmit Over Register	CLRTXOVR		I2C_CLR_TXOVR		I2C_CLR_TXOVR		0xF2A6
Clear Read Required Interrupt Register	CLRFDREQ		I2C_CLR_FDREQ		I2C_CLR_FDREQ		0xF2A8
Clear Transmit Abort Interrupt Register	CLRTXABRT		I2C_CLR_TXABRT		I2C_CLR_TXABRT		0xF2AA

**Table 14-1 Legacy and Revised Acronyms (Continued)**

Register Name	Peripheral Reference Manual		Data Sheet		Processor Expert Acronym	Memory Address	
	New Acronym	Legacy Acronym	New Acronym	Legacy Acronym		Start	End
Clear Receive Done Interrupt Register	CLRFXDONE		I2C_CLR_RXDONE		I2C_CLR_RXDONE	0xF2AC	
Clear Activity Interrupt Register	CLRACT		I2C_CLRACTIVITY		I2C_CLRACTIVITY	0xF2AE	
Clear Stop Detect Interrupt Register	CLRSTPDET		I2C_CLR_STOPDET		I2C_CLR_STOPDET	0xF2B0	
Clear Start Detect Interrupt Register	CLRSTDET		I2C_CLR_STAR_DET		I2C_CLR_STAR_DET	0xF2B2	
Clear General Call Interrupt Register	CLRGC		I2C_CLR_GENCALL		I2C_CLR_GENCALL	0xF2B4	
Enable Register	ENBL		I2C_ENABLE		I2C_ENABLE	0xF2B6	
Status Register	STAT		I2C_STAT		I2C_STAT	0xF2B8	
Transmit FIFO Level Register	TXFLR		I2C_TXFLR		I2C_TXFLR	0xF2BA	
Receive FIFO Level Register	RXFLR		I2C_RXFLR		I2C_RXFLR	0xF2BC	
Transmit Abort Source Register	TXABRTSRC		I2C_TX_ABRTSRC		I2C_TX_ABRTSRC	0xF2C0	
Component Parameter 1 Register	COMPARM1		I2C_COMPARM1		I2C_COMPARM1	0xF2FA	
Component Parameter 2 Register	COMPARM2		I2C_COMPARM2		I2C_COMPARM2	0xF2FB	
Component Version 1 Register	COMVER1		I2C_COMVER1		I2C_COMVER1	0xF2FC	
Component Version 2 Register	COMVER2		I2C_COMVER2		I2C_COMVER2	0xF2FD	
Component Type 1 Register	COMTYP1		I2C_COMTYP1		I2C_COMTYP1	0xF2FE	
Component Type 2 Register	COMTYP2		I2C_COMTYP2		I2C_COMTYP2	0xF2FF	
<b>On-Clock Chip Synthesis (OCCS) Module</b>							
Control Register	CTRL	PLLCR	OCCS_CTRL	PLLCR	PLLCR	0xF130	
Divide-By Register	DIVBY	PLLDDB	OCCS_DIVBY	PLLDDB	PLLDDB	0xF131	
Status Register	STAT	PLLSR	OCCS_STAT	PLLSR	PLLSR	0xF132	
Oscillator Control Register	OCTRL	OSCTL	OCCS_OCTRL	OSCTL	OSCTL	0xF135	
Clock Check Register	CLKCHK		OCCS_CLCHK	PLLCLCHK	OCCS_CLCHK	0xF136	
Protection Register	PROT		OCCS_PROT	PLLPROT	OCCS_PROT	0xF137	
Clock Divider Register	CLKDIV	FMCLKD	FM_CLKDIV	FMCLKD	FMCLKD	0xF400	
Configuration Register	CNFG	FMCR	FM_CNFG	FMCR	FMCR	0xF401	
Security High Half Register	SECHI	FMSECH	FM_SECHI	FMSECH	FMSECH	0xF403	

**Table 14-1 Legacy and Revised Acronyms (Continued)**

Register Name	Peripheral Reference Manual		Data Sheet		Processor Expert Acronym	Memory Address	
	New Acronym	Legacy Acronym	New Acronym	Legacy Acronym		Start	End
Security Low Half Register	SECLO	FMSECL	FM_SECLO	FMSECL	FMSECL	0xF404	
Protection Register	PROT	FMPROT	FM_PROT	FMPROT	FMPROT	0xF410	
User Status Register	USTAT	FMUSTAT	FM_USTAT	FMUSTAT	FMUSTAT	0xF413	
Command Register	CMD	FMCMD	FM_CMD	FMCMD	FMCMD	0xF414	
Data Buffer Register	DATA	FMDATA	FM_DATA	FMDATA	FMDATA	0xF418	
Info Optional Data 1 Register	OPT1	FMOPT1	FM_OPT1	FMOPT1	FMOPT1	0xF41B	
Test Array Signature Register	TSTSIG	FMTST_SIG	FM_TSTSIG	FMTST_SIG	FMTST_SIG	0xF41D	
<b>General Purpose Input/Output (GPIO) Module</b>							
					$x=A(n=0)B(n=1)C(n=2)D(n=3)$		
Pull-Up Enable Register	PUPEN	PUR	GPIOx_PUPEN	GPIOx_PUR	GPIO_x_PUR	0xF1n0	
Data Register	DATA	DR	GPIOx_DATA	GPIOx_DR	GPIO_x_DR	0xF1n1	
Data Direction Register	DDIR	DDR	GPIOx_DDIR	GPIOx_DDR	GPIO_x_DDR	0xF1n2	
Peripheral Enable Register	PEREN	PER	GPIOx_PEREN	GPIOx_PER	GPIO_x_PER	0xF1n3	
Interrupt Assert Register	IASSRT	IAR	GPIOx_IASSRT	GPIOx_IAR	GPIO_x_IAR	0xF1n4	
Interrupt Enable Register	IEN	IENR	GPIOx_IEN	GPIOx_IENR	GPIO_x_IENR	0xF1n5	
Interrupt Polarity Register	IPOL	IPOLR	GPIOx_IPOL	GPIOx_IPOLR	GPIO_x_IPOLR	0xF1n6	
Interrupt Pending Register	IPEND	IPR	GPIOx_IPEND	GPIOx_IPR	GPIO_x_IPR	0xF1n7	
Interrupt Edge-Sensitive Register	IEDGE	IESR	GPIOx_IEDGE	GPIOx_IESR	GPIO_x_IESR	0xF1n8	
Push-Pull Mode Registers	PPOUTM	PPMODE	GPIOx_PPOUTM	GPIOx_PPMODE	GPIO_x_PPMODE	0xF1n9	
Raw Data Input Register	RDATA	RAWDATA	GPIOx_RDATA	GPIOx_RAWDATA	GPIO_x_RAWDATA	0xF1nA	
Output Drive Strength Register	DRIVE	DRIVE	GPIOx_DRIVE	GPIOx_DRIVE	GPIO_x_DRIVE	0xF1nB	



**Table 14-1 Legacy and Revised Acronyms (Continued)**

Register Name	Peripheral Reference Manual		Data Sheet		Processor Expert Acronym	Memory Address	
	New Acronym	Legacy Acronym	New Acronym	Legacy Acronym		Start	End
<b>Pulse Width Modulator (PWM) Module</b>							
Control Register	CTRL	PMCTL	PWM_CTRL	PWM_PMCTL	PWM_PMCTL	0xF0C0	
Fault Control Register	FCTRL	PMFCTL	PWM_FCTRL	PWM_PMFCTL	PWM_PMFCTL	0xF0C1	
Fault Status/Acknowledge Regis.	FLTACK	PMFSA	PWM_FLTACK	PWM_PMFSA	PWM_PMFSA	0xF0C2	
Output Control Register	OUT	PMOUT	PWM_OUT	PWM_PMOUT	PWM_PMOUT	0xF0C3	
Counter Register	CNTR	PMCNT	PWM_CNTR	PWM_PMCNT	PWM_PMCNT	0xF0C4	
Counter Modulo Register	CMOD	MCM	PWM_CMOD	PWM_MCM	PWM_MCM	0xF0C5	
Value 0-5 Registers	VAL0-5	PMVAL0-5	PWM_VAL0-5	PWM_PMVAL0-5	PWM_PMVAL0-5	0xF0C6	0xF0CB
Deadtime 0-1 Registers	DTIM0-1	PMDEADTM0-1	PWM_DTIM0-1	PWM_PMDEADTM0-1	PWM_PMDEADTM0-1	0xF0CC	0xF0CD
Disable Mapping 1-2 Registers	DMAP1-2	PMDISMAP1-2	PWM_DMAP1-2	PWM_PMDISMAP1-2	PWM_PMDISMAP1-2	0xF0CE	0xF0CF
Configure Register	CNFG	PMCFG	PWM_CNFG	PWM_PMCFG	PWM_PMCFG	0xF0D0	
Channel Control Register	CCTRL	PMCCR	PWM_CCTRL	PWM_PMCCR	PWM_PMCCR	0xF0D1	
Port Register	PORT	PMPORT	PWM_PORT	PWM_PMPORT	PWM_PMPORT	0xF0D2	
Internal Correction Control Register	ICCTRL	PMICCR	PWM_ICCTRL	PWM_PMICCR	PWM_PMICCR	0xF0D3	
Source Control Register	SCTRL	PMSRC	PWM_SCTRL	PWM_PMSRC	PWM_PMSRC	0xF0D4	
Synchronization Window Register	SYNC		PWM_SYNC	PWM_SYNC	PWM_SYNC	0xF0D5	
Fault Filter 0-3 Register	FFILT0-3		PWM_FFILT0-3	PWM_FFILT0-3	PWM_FFILT0-3	0xF0D6	0xF0D9
<b>Multi-Scalable Controller Area Network (MSCAN) Module</b>							
Control 0 Register	CTRL0		CAN_CTRL0		CANCTRL0	0XF800	
Control 1 Register	CTRL1		CAN_CTRL1		CANCTRL1	0XF801	
Bus Timing 0 Register	BTR0		CAN_BTR0		CANBTR0	0XF802	
Bus Timing 1 Register	BTR1		CAN_BTR1		CANBTR1	0XF803	
Receive Flag Register	RFLG		CAN_RFLG		CANRFLG	0XF804	
Receiver Interrupt Enable Register	RIER		CAN_RIER		CANRIER	0XF805	
Transmitter Flag Register	TFLG		CAN_TFLG		CANTFLG	0XF806	
Transmitter Interrupt Enable Register.	TIER		CAN_TIER		CANTIER	0XF807	
Transmitter Msg Abort Request Register	TARQ		CAN_TARQ		CANTARQ	0XF808	

**Table 14-1 Legacy and Revised Acronyms (Continued)**

Register Name	Peripheral Reference Manual		Data Sheet		Processor Expert Acronym	Memory Address	
	New Acronym	Legacy Acronym	New Acronym	Legacy Acronym		Start	End
Transmitter Message Abort Acknowledge Register	TAAK		CAN_TAAK		CANTAAK	0XF809	
Transmitter FIFO Selection Register	TBSEL		CAN_TBSEL		CANTBSEL	0XF80A	
Identifier Acceptance Control Register	IDAC		CAN_IDAC		CANIDAC	0XF80B	
Miscellaneous Register	MISC		CAN_MISC		CANMISC	0XF80D	
Receive Error Register	RXERR		CAN_RXERR		CANRXERR	0XF80E	
Transmit Error Register	TXERR		CAN_TXERR		CANTXERR	0XF80F	
Identifier Acceptance 0-3 Registers	IDAR0-3		CAN_IDAR0-3		CANIDAR0-3	0xF810	0xF813
Identifier Mask 0-3 Registers	IDMR0-3		CAN_IDMR0-3		CANIDMR0-3	0xF814	0xF817
Identifier Acceptance 4-7 Register	IDAR4-7		CAN_IDAR4-7		CANIDAR4-7	0xF818	0xF81B
Identifier Mask 4-7 Registers	IDMR4-7		CAN_IDMR4-7		CANIDMR4-7	0xF81C	0xF81F
Foreground Receive FIFO Register	RXFG		CAN_RXFG		CANRXFG	0xF82F	0xF820
Foreground Transmit FIFO Register	TXFG		CAN_TXFG		CANTXFG	0xF830	0xF83F
<b>Power Supervisor (PS) Module</b>							
Control Register	CTRL	LVICONTROL	PS_CTRL	LVICONTROL	LVICTRL	0xF140	
Status Register	STAT	LVISTATUS	PS_STAT	LVISTATUS	LVISR	0xF141	
<b>Queued Serial Communications Interface (QSCI) Module</b>							
					$n=0, 1$		
Baud Rate Register	RATE		QSCI_RATE		QSCI_SCIBR	0xF2 $n$ 0	
Control 1 Register	CTRL1		QSCI_CTRL1		QSCI_SCICR	0xF2 $n$ 1	
Control 2 Register	CTRL2		QSCI_CTRL2		QSCI_SCICR2	0xF2 $n$ 2	
Status Register	STAT		QSCI_STAT		QSCI_SCISR	0xF2 $n$ 3	
Data Register	DATA		QSCI_DATA		QSCI_SCIDR	0xF2 $n$ 4	
<b>Queued Serial Peripheral Interface (QSPI) Module</b>							
Status and Control Register	SCTRL		QSPI_SCTRL		QSPI_SPSCR	0xF2 $n$ 0	
Data Size and Control Register	DSCTRL		QSPI_DSCTRL		QSPI_SPDSR	0xF2 $n$ 1	
Data Receive Register	DRCV		QSPI_DRCV		QSPI_SPDRR	0xF2 $n$ 2	
Data Transmit Register	DXMIT		QSPI_DXMIT		QSPI_SPDTR	0xF2 $n$ 3	





## How to Reach Us:

### Home Page:

[www.freescale.com](http://www.freescale.com)

### E-mail:

[support@freescale.com](mailto:support@freescale.com)

### USA/Europe or Locations Not Listed:

Freescale Semiconductor  
Technical Information Center, CH370  
1300 N. Alma School Road  
Chandler, Arizona 85224  
+1-800-521-6274 or +1-480-768-2130  
[support@freescale.com](mailto:support@freescale.com)

### Europe, Middle East, and Africa:

Freescale Halbleiter Deutschland GmbH  
Technical Information Center  
Schatzbogen 7  
81829 Muenchen, Germany  
+44 1296 380 456 (English)  
+46 8 52200080 (English)  
+49 89 92103 559 (German)  
+33 1 69 35 48 48 (French)  
[support@freescale.com](mailto:support@freescale.com)

### Japan:

Freescale Semiconductor Japan Ltd.  
Headquarters  
ARCO Tower 15F  
1-8-1, Shimo-Meguro, Meguro-ku,  
Tokyo 153-0064, Japan  
0120 191014 or +81 3 5437 9125  
[support.japan@freescale.com](mailto:support.japan@freescale.com)

### Asia/Pacific:

Freescale Semiconductor China Ltd.  
Exchange Building 23F  
No. 118 Jianguo Road  
Chaoyang District  
Beijing 100022  
China  
+86 10 5879 8000  
[support.asia@freescale.com](mailto:support.asia@freescale.com)

### For Literature Requests Only:

Freescale Semiconductor Literature Distribution Center  
1-800-441-2447 or 303-675-2140  
Fax: 303-675-2150  
[LDCForFreescaleSemiconductor@hibbertgroup.com](mailto:LDCForFreescaleSemiconductor@hibbertgroup.com)

RoHS-compliant and/or Pb-free versions of Freescale products have the functionality and electrical characteristics of their non-RoHS-compliant and/or non-Pb-free counterparts. For further information, see <http://www.freescale.com> or contact your Freescale sales representative.

For information on Freescale's Environmental Products program, go to <http://www.freescale.com/epp>.

Information in this document is provided solely to enable system and software implementers to use Freescale Semiconductor products. There are no express or implied copyright licenses granted hereunder to design or fabricate any integrated circuits or integrated circuits based on the information in this document.

Freescale Semiconductor reserves the right to make changes without further notice to any products herein. Freescale Semiconductor makes no warranty, representation or guarantee regarding the suitability of its products for any particular purpose, nor does Freescale Semiconductor assume any liability arising out of the application or use of any product or circuit, and specifically disclaims any and all liability, including without limitation consequential or incidental damages. "Typical" parameters that may be provided in Freescale Semiconductor data sheets and/or specifications can and do vary in different applications and actual performance may vary over time. All operating parameters, including "Typicals", must be validated for each customer application by customer's technical experts. Freescale Semiconductor does not convey any license under its patent rights nor the rights of others. Freescale Semiconductor products are not designed, intended, or authorized for use as components in systems intended for surgical implant into the body, or other applications intended to support or sustain life, or for any other application in which the failure of the Freescale Semiconductor product could create a situation where personal injury or death may occur. Should Buyer purchase or use Freescale Semiconductor products for any such unintended or unauthorized application, Buyer shall indemnify and hold Freescale Semiconductor and its officers, employees, subsidiaries, affiliates, and distributors harmless against all claims, costs, damages, and expenses, and reasonable attorney fees arising out of, directly or indirectly, any claim of personal injury or death associated with such unintended or unauthorized use, even if such claim alleges that Freescale Semiconductor was negligent regarding the design or manufacture of the part.



Freescale™ and the Freescale logo are trademarks of Freescale Semiconductor, Inc. All other product or service names are the property of their respective owners. This product incorporates SuperFlash® technology licensed from SST.

© Freescale Semiconductor, Inc. 2008–2012. All rights reserved.

MC56F8037  
Rev. 8  
04/2012



Компания «ЭлектроПласт» предлагает заключение долгосрочных отношений при поставках импортных электронных компонентов на взаимовыгодных условиях!

Наши преимущества:

- Оперативные поставки широкого спектра электронных компонентов отечественного и импортного производства напрямую от производителей и с крупнейших мировых складов;
- Поставка более 17-ти миллионов наименований электронных компонентов;
- Поставка сложных, дефицитных, либо снятых с производства позиций;
- Оперативные сроки поставки под заказ (от 5 рабочих дней);
- Экспресс доставка в любую точку России;
- Техническая поддержка проекта, помощь в подборе аналогов, поставка прототипов;
- Система менеджмента качества сертифицирована по Международному стандарту ISO 9001;
- Лицензия ФСБ на осуществление работ с использованием сведений, составляющих государственную тайну;
- Поставка специализированных компонентов (Xilinx, Altera, Analog Devices, Intersil, Interpoint, Microsemi, Aeroflex, Peregrine, Syfer, Eurofarad, Texas Instrument, Miteq, Cobham, E2V, MA-COM, Hittite, Mini-Circuits, General Dynamics и др.);

Помимо этого, одним из направлений компании «ЭлектроПласт» является направление «Источники питания». Мы предлагаем Вам помощь Конструкторского отдела:

- Подбор оптимального решения, техническое обоснование при выборе компонента;
- Подбор аналогов;
- Консультации по применению компонента;
- Поставка образцов и прототипов;
- Техническая поддержка проекта;
- Защита от снятия компонента с производства.



#### Как с нами связаться

**Телефон:** 8 (812) 309 58 32 (многоканальный)

**Факс:** 8 (812) 320-02-42

**Электронная почта:** [org@eplast1.ru](mailto:org@eplast1.ru)

**Адрес:** 198099, г. Санкт-Петербург, ул. Калинина, дом 2, корпус 4, литера А.