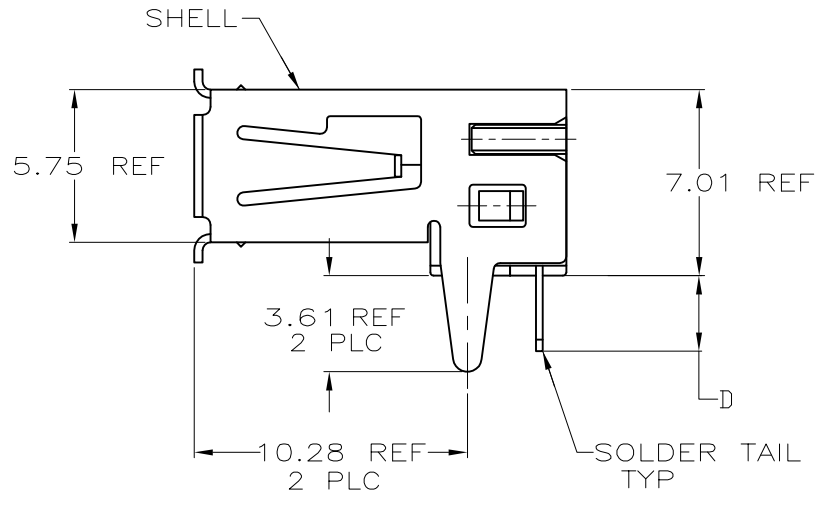
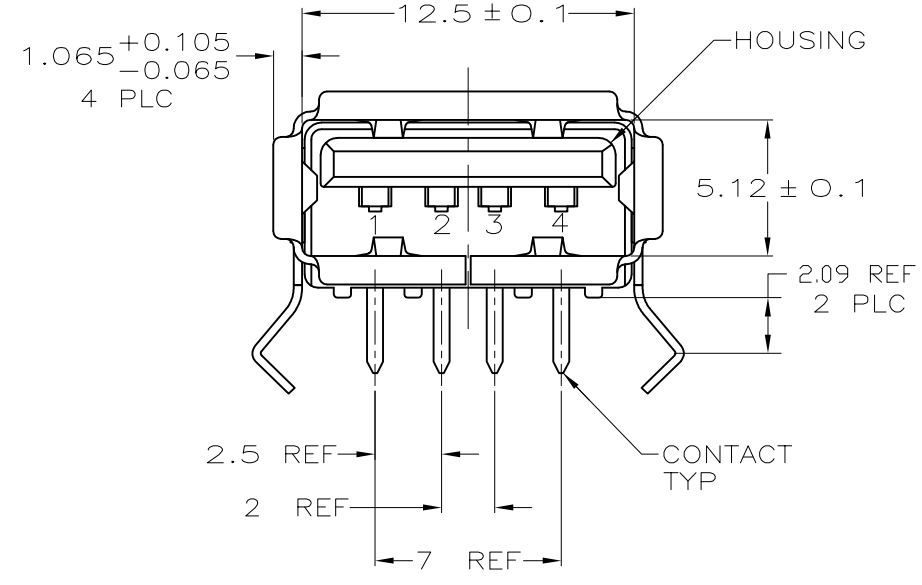


| LOC | | DIST | | REVISIONS | | | | |
|-----|-----|---------------------------|---------|-----------|------|--|--|--|
| P | LTR | DESCRIPTION | DATE | DWN | APVD | | | |
| ES | 00 | | | | | | | |
| | E12 | REVISED PER ECR-17-010413 | 20JUL17 | T.Z | H.W | | | |



PC BOARD MOUNTING DIMENSIONS ④



- ① MATERIAL:
 SHELL- STAINLESS STEEL.
 CONTACTS- COPPER ALLOY.
 HOUSING: UL 94V-0 RATED, THERMOPLASTIC, COLOR SEE TABLE.
- ② PLATING:
 CONTACTS: 0.076μm MINIMUM GOLD OVER 0.76μm MINIMUM PALLADIUM-NICKEL ON MATING AREA.
 3.8μm MINIMUM MATTE TIN ON SOLDER TAILS.
 BOTH OVER 1.27μm MINIMUM NICKEL.
 CONTACT ALTERNATE PLATING: 0.76μm MIN GOLD ON MATING AREA, 3.80μm MIN MATTE TIN ON SOLDER TAILS, BOTH OVER 1.27μm MIN NICKEL.
 SHELL: 2~5μm MINIMUM BRIGHT TIN
- ③ DATUM AND BASIC DIMENSIONS ESTABLISHED BY CUSTOMER.
- ④ RECOMMENDED PC BOARD THICKNESS OF 1.57.
- ⑤ PLATING:
 CONTACTS: 0.76μm MINIMUM PALLADIUM-NICKEL ON MATING AREA.
 3.8μm MINIMUM MATTE TIN ON SOLDER TAILS.
 BOTH OVER 1.27μm MINIMUM NICKEL.
 SHELL: 2~5μm MINIMUM BRIGHT TIN

| | | | | |
|-----------------|-----------------------------|------|---------------|---------------|
| ⑤ | YES | 2.84 | BLACK | 2-292303-0 ⑤⑨ |
| ② | YES | 2.29 | BLACK | 1-292303-9 ⑤⑧ |
| ② | NO | 3.81 | BLACK | 1-292303-5 |
| ② | NO | 3.56 | BLACK | 1-292303-4 |
| ② | NO | 3.20 | BLACK | 1-292303-3 |
| ② | YES | 3.30 | BLACK | 1-292303-2 |
| ② | YES | 2.29 | BLACK | 292303-6 |
| ② | YES | 2.84 | NATURAL | 292303-5 |
| ② | YES | 2.84 | BLACK | 292303-4 |
| ② | NO | 2.84 | NATURAL | 292303-3 |
| ② | NO | 2.29 | BLACK | 292303-2 |
| ② | NO | 2.84 | BLACK | 292303-1 |
| CONTACT PLATING | HIGH TEMPERATURE COMPATIBLE | D | HOUSING COLOR | PART NUMBER |

THIS DRAWING IS A CONTROLLED DOCUMENT.

| | | | | |
|----------------|--|------------------------|---|-----------------|
| DIMENSIONS: mm | TOLERANCES UNLESS OTHERWISE SPECIFIED: | DWN J. JIANG 19FEB04 | | |
| 0 PLC ± - | 1 PLC ± - | CHK S. YAO 19FEB04 | | |
| 2 PLC ± 0.25 | 3 PLC ± - | APVD T. SASAKI 19FEB04 | NAME RECEPTACLE ASSEMBLY RIGHT ANGLE, 4 POSITION, T/H & SMT USB, LEAD FREE VERSION | |
| 4 PLC ± - | ANGLES ± - | PRODUCT SPEC 108-60034 | SIZE A2 | CAGE CODE 00779 |
| MATERIAL ① | FINISH SEE TABLE | APPLICATION SPEC | DRAWING NO C=292303 | RESTRICTED TO - |
| | | WEIGHT - | SCALE 5:1 | SHEET 1 OF 4 |
| | | CUSTOMER DRAWING | | REV E12 |

4

3

2

1

THIS DRAWING IS UNPUBLISHED.

RELEASED FOR PUBLICATION

ALL RIGHTS RESERVED.

© COPYRIGHT - By -

LOC
ES 00DIST
00

REVISIONS

| P | LTR | DESCRIPTION | DATE | DWN | APVD |
|---|-----|-------------|------|-----|------|
| - | - | SEE SHEET 1 | - | - | - |

Top view of the receptacle assembly showing dimensions: 7.00, 2.00, 0.60, 1.16, 14 REF, and 13.13 REF.

Side view of the receptacle assembly showing dimensions: $\varnothing 2.30$, 1.25, 13.14, 3.50, 1.00, 3.00, and 2.18.

△ MATERIAL:
 ① SHELL- STAINLESS STEEL
 CONTACTS- COPPER ALLOY.
 HOUSING: UL 94V-0 RATED, THERMOPLASTIC, COLOR SEE TABLE.

△ PLATING:
 CONTACTS: 0.076 μm MINIMUM GOLD OVER 0.76 μm MINIMUM PALLADIUM-NICKEL ON MATING AREA.
 3.8 μm MINIMUM MATTE TIN ON SOLDER TAILS.
 BOTH OVER 1.27 μm MINIMUM NICKEL.
 CONTACT ALTERNATE PLATING: 0.76 μm MIN GOLD ON MATING AREA, 3.80 μm MIN MATTE TIN ON SOLDER TAILS, BOTH OVER 1.27 μm MIN NICKEL.
 SHELL: 2~5 μm MINIMUM BRIGHT TIN

△ RECOMMENDED PC BOARD THICKNESS OF 1.42.

RECOMMENDED PC BOARD MOUNTING LAYOUT △
 (TOLERANCE=±0.05)

Front view of the receptacle assembly showing dimensions: 1.065 +0.105 / -0.065 4 PLC, 12.5 ± 0.1, HOUSING, 5.12 ± 0.1, 4.13, and 1.89 REF 2 PLC.

Side view of the receptacle assembly showing dimensions: 5.75 REF, SHELL, 7.01 REF, 3.61 REF 2 PLC, and 10.28 REF 2 PLC. SOLDER TAIL TYP is also indicated.

| | | |
|-----------------------------|---------------|------------------|
| YES | BLACK | 3-292303-1 (E10) |
| YES | BLACK | 1-292303-1 |
| YES | NATURAL | 292303-7 |
| HIGH TEMPERATURE COMPATIBLE | HOUSING COLOR | PART NUMBER |

| THIS DRAWING IS A CONTROLLED DOCUMENT. | | DWN | 19FEB04 | TE Connectivity | |
|--|--|--|---|-----------------|------------|
| DIMENSIONS: mm | | CHK <td>19FEB04 <td colspan="2" rowspan="2"> </td> </td> | 19FEB04 <td colspan="2" rowspan="2"> </td> | | |
| TOLERANCES UNLESS OTHERWISE SPECIFIED: | | APVD <td>19FEB04 </td> | 19FEB04 | | |
| 0 PLC ± - 1 PLC ± - 2 PLC ± 0.25 3 PLC ± - 4 PLC ± - ANGLES ± - FINISH | | NAME | T.SASAKI RECEPTACLE ASSEMBLY RIGHT ANGLE, 4 POSITION, T/H & SMT USB, LEAD FREE VERSION | | |
| MATERIAL △1 | | PRODUCT SPEC | 108-60034 APPLICATION SPEC | | |
| △2 | | WEIGHT | SIZE | CAGE CODE | DRAWING NO |
| | | CUSTOMER DRAWING | A2 | 00779 | C=292303 |
| | | SCALE | 5:1 | SHEET | 2 OF 4 |
| | | REV | E12 | | |

1471-9 (3/11)

292303

B

A

4

3

2

1

THIS DRAWING IS UNPUBLISHED. RELEASED FOR PUBLICATION
 © COPYRIGHT - By - ALL RIGHTS RESERVED.

| LOC | DIST | REVISIONS | | | |
|-----|------|-------------|------|-----|------|
| P | LTR | DESCRIPTION | DATE | DWN | APVD |
| ES | 00 | SEE SHEET 1 | - | - | - |

PC BOARD MOUNTING DIMENSIONS $\Delta 4$

$\Delta 1$ MATERIAL:
 $\Delta 1$ SHELL- STAINLESS STEEL.
 CONTACTS- COPPER ALLOY.
 HOUSING: UL 94V-0 RATED, THERMOPLASTIC, COLOR SEE TABLE.

$\Delta 2$ PLATING:
 CONTACTS: 0.076 μ m MINIMUM GOLD OVER 0.76 μ m MINIMUM PALLADIUM-NICKEL ON MATING AREA.
 3.8 μ m MINIMUM MATTE TIN ON SOLDER TAILS.
 BOTH OVER 1.27 μ m MINIMUM NICKEL.
 CONTACT ALTERNATE PLATING: 0.76 μ m MIN GOLD ON MATING AREA, 3.80 μ m MIN MATTE TIN ON SOLDER TAILS, BOTH OVER 1.27 μ m MIN NICKEL.
 SHELL: 2~5 μ m MINIMUM BRIGHT TIN

$\Delta 3$ DATUM AND BASIC DIMENSIONS ESTABLISHED BY CUSTOMER.
 $\Delta 4$ RECOMMENDED PC BOARD THICKNESS OF 1.2.

| | | |
|-----------------------------|---------------|-------------|
| NO | NATURAL | 292303-8 |
| HIGH TEMPERATURE COMPATIBLE | HOUSING COLOR | PART NUMBER |

| | | | | |
|--|--|-----------------------------|------------------------------|------------|
| THIS DRAWING IS A CONTROLLED DOCUMENT. | | DWN J.JIANG 19FEB04 | STE TE Connectivity | |
| DIMENSIONS: mm | | CHK S.YAO 19FEB04 | | |
| TOLERANCES UNLESS OTHERWISE SPECIFIED: | | APVD T.SASAKI 19FEB04 | NAME | |
| 0 PLC \pm - | | PRODUCT SPEC | RECEPTACLE ASSEMBLY RIGHT | |
| 1 PLC \pm - | | 108-60034 | ANGLE, 4 POSITION, T/H & SMT | |
| 2 PLC \pm 0.25 | | APPLICATION SPEC | USB, LEAD FREE VERSION | |
| 3 PLC \pm - | | SIZE | CAGE CODE | DRAWING NO |
| 4 PLC \pm - | | WEIGHT | A2 00779 | C=292303 |
| ANGLES \pm - | | CUSTOMER DRAWING | SCALE | SHEET |
| FINISH | | | 5:1 | 3 OF 4 |
| $\Delta 1$ | | | | REV E12 |

1471-9 (3/11)

292303

4

3

2

1

THIS DRAWING IS UNPUBLISHED. RELEASED FOR PUBLICATION
 © COPYRIGHT - By - ALL RIGHTS RESERVED.

| LOC | | DIST | | REVISIONS | | | |
|-----|-----|-------------|------|-----------|------|---|---|
| P | LTR | DESCRIPTION | DATE | DWN | APVD | | |
| ES | 00 | SEE SHEET 1 | - | - | - | - | - |

RECOMMENDED MOUNTING PANEL CUTOUT

⚠ MATERIAL:
 Ⓜ SHELL- STAINLESS STEEL.
 CONTACTS- COPPER ALLOY.
 HOUSING: UL 94V-0 RATED, THERMOPLASTIC, COLOR SEE TABLE.

⚠ PLATING:
 CONTACTS: 0.076 μm MINIMUM GOLD OVER 0.76 μm MINIMUM PALLADIUM-NICKEL ON MATING AREA.
 3.8 μm MINIMUM MATTE TIN ON SOLDER TAILS.
 BOTH OVER 1.27 μm MINIMUM NICKEL.
 CONTACT ALTERNATE PLATING: 0.76 μm MIN GOLD ON MATING AREA, 3.80 μm MIN MATTE TIN ON SOLDER TAILS, BOTH OVER 1.27 μm MIN NICKEL.
 SHELL: 2~5 μm MINIMUM BRIGHT TIN

⚠ PANEL IS NEEDED FOR CUSTOMER.
 ⚠ THIS P/N IS PRELIMINARY.

RECOMMENDED PC BOARD MOUNTING LAYOUT (TOLERANCE=±0.05)

| | | |
|-----------------------------|---------------|--------------|
| YES | BLACK | 1-292303-6 ⚠ |
| YES | NATURAL | 292303-9 |
| HIGH TEMPERATURE COMPATIBLE | HOUSING COLOR | PART NUMBER |

| | | | | |
|--|--|------------------------|------------------------------|---------------------|
| THIS DRAWING IS A CONTROLLED DOCUMENT. | | DWN J.JIANG 19FEB04 | | |
| | | CHK S.YAO 19FEB04 | | |
| DIMENSIONS: mm | | APVD T.SASAKI 19FEB04 | NAME | |
| TOLERANCES UNLESS OTHERWISE SPECIFIED: | | PRODUCT SPEC 108-60034 | RECEPTACLE ASSEMBLY RIGHT | |
| 0 PLC ± - | | APPLICATION SPEC | ANGLE, 4 POSITION, T/H & SMT | |
| 1 PLC ± - | | WEIGHT - | USB, LEAD FREE VERSION | |
| 2 PLC ± 0.25 | | SIZE A2 | CAGE CODE 00779 | DRAWING NO C=292303 |
| 3 PLC ± - | | CUSTOMER DRAWING | SCALE 5:1 | SHEET 4 OF 4 |
| 4 PLC ± - | | | | REV E12 |
| ANGLES ± - | | | | |
| FINISH ⚠ | | | | |

1471-9 (3/11)

292303



Компания «ЭлектроПласт» предлагает заключение долгосрочных отношений при поставках импортных электронных компонентов на взаимовыгодных условиях!

Наши преимущества:

- Оперативные поставки широкого спектра электронных компонентов отечественного и импортного производства напрямую от производителей и с крупнейших мировых складов;
- Поставка более 17-ти миллионов наименований электронных компонентов;
- Поставка сложных, дефицитных, либо снятых с производства позиций;
- Оперативные сроки поставки под заказ (от 5 рабочих дней);
- Экспресс доставка в любую точку России;
- Техническая поддержка проекта, помощь в подборе аналогов, поставка прототипов;
- Система менеджмента качества сертифицирована по Международному стандарту ISO 9001;
- Лицензия ФСБ на осуществление работ с использованием сведений, составляющих государственную тайну;
- Поставка специализированных компонентов (Xilinx, Altera, Analog Devices, Intersil, Interpoint, Microsemi, Aeroflex, Peregrine, Syfer, Eurofarad, Texas Instrument, Miteq, Cobham, E2V, MA-COM, Hittite, Mini-Circuits, General Dynamics и др.);

Помимо этого, одним из направлений компании «ЭлектроПласт» является направление «Источники питания». Мы предлагаем Вам помощь Конструкторского отдела:

- Подбор оптимального решения, техническое обоснование при выборе компонента;
- Подбор аналогов;
- Консультации по применению компонента;
- Поставка образцов и прототипов;
- Техническая поддержка проекта;
- Защита от снятия компонента с производства.



Как с нами связаться

Телефон: 8 (812) 309 58 32 (многоканальный)

Факс: 8 (812) 320-02-42

Электронная почта: org@eplast1.ru

Адрес: 198099, г. Санкт-Петербург, ул. Калинина, дом 2, корпус 4, литера А.