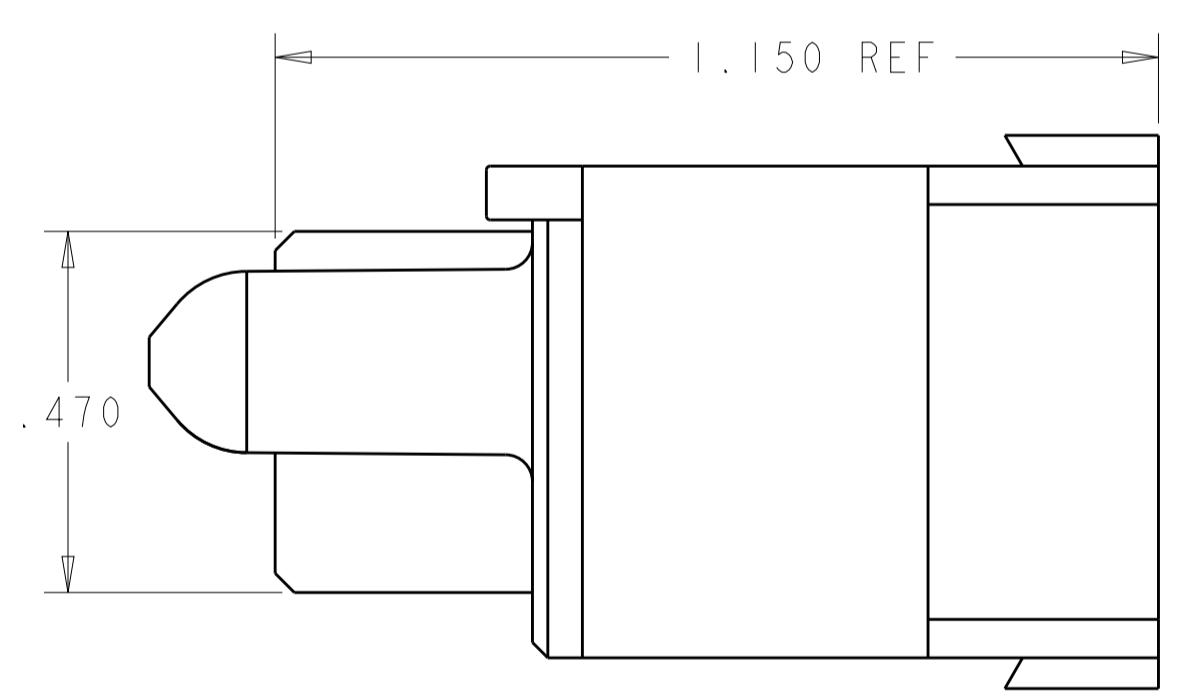
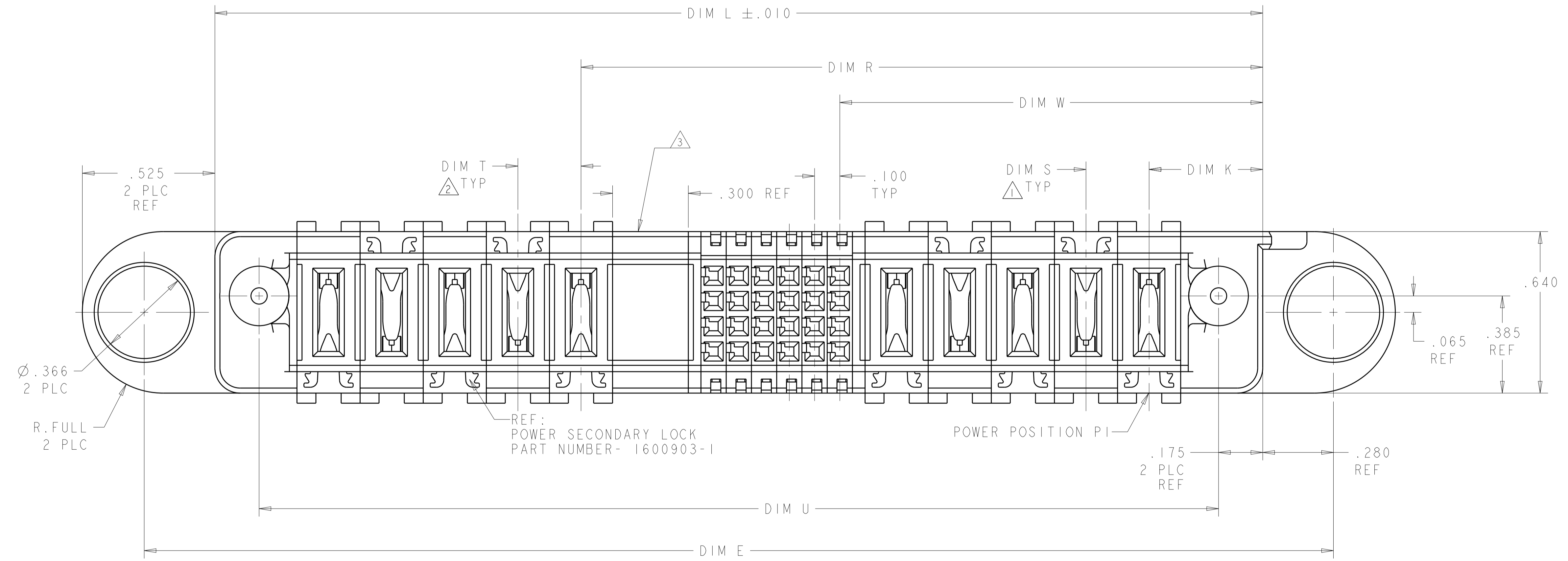
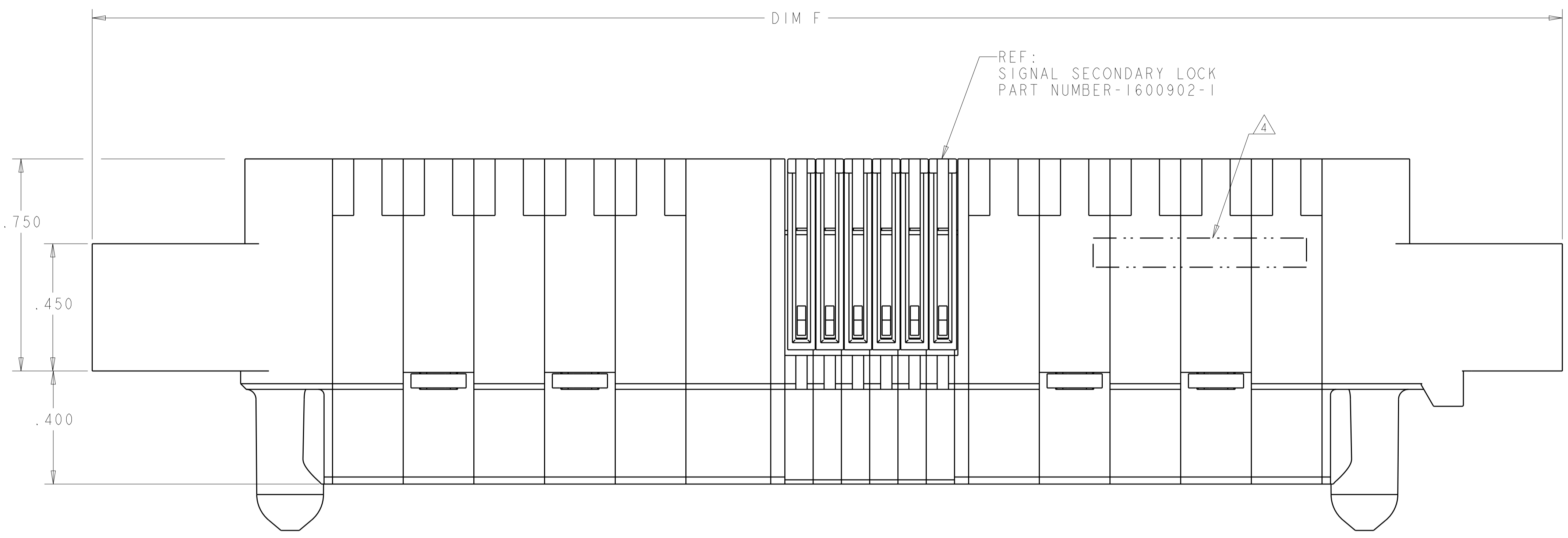
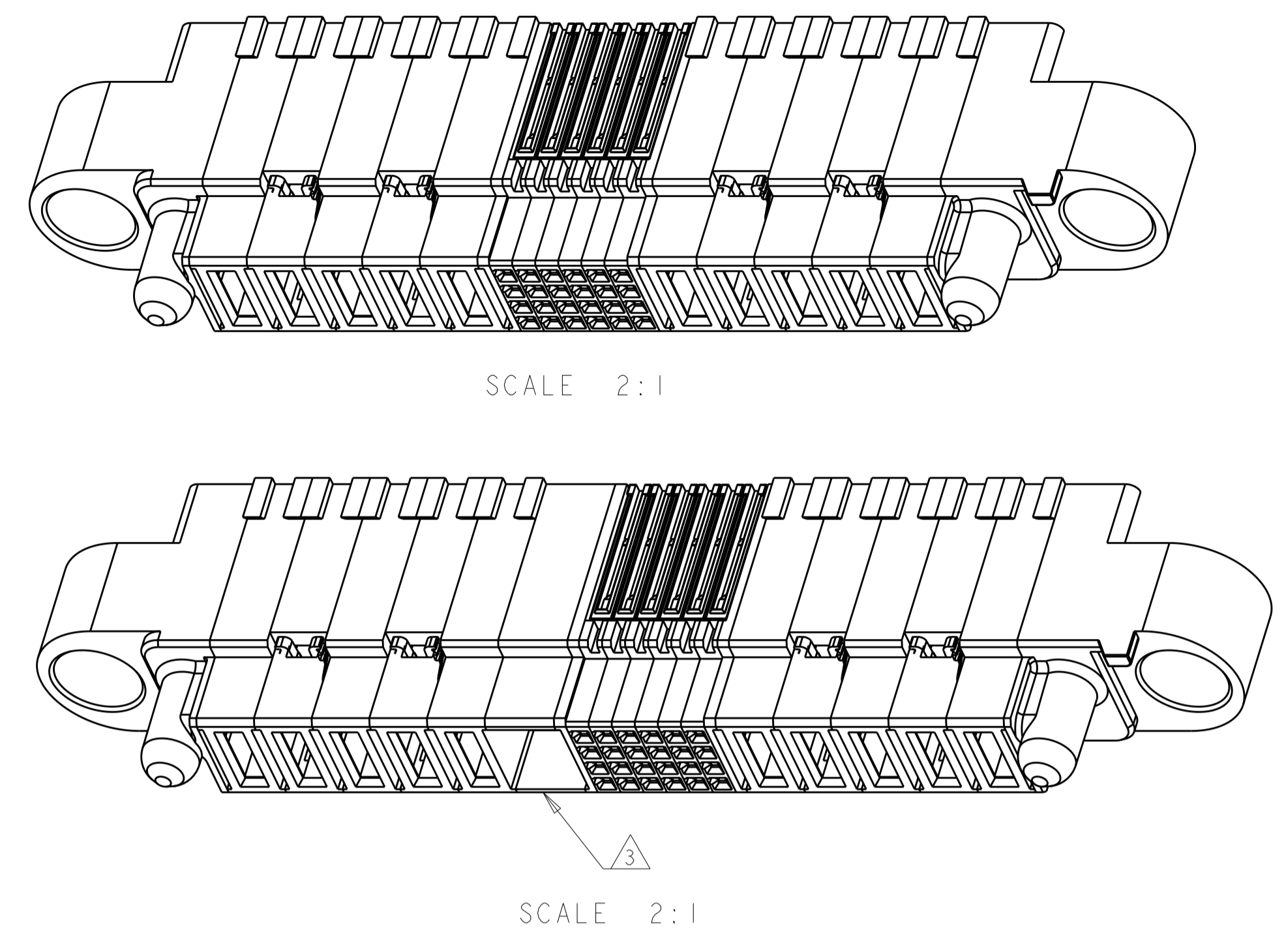
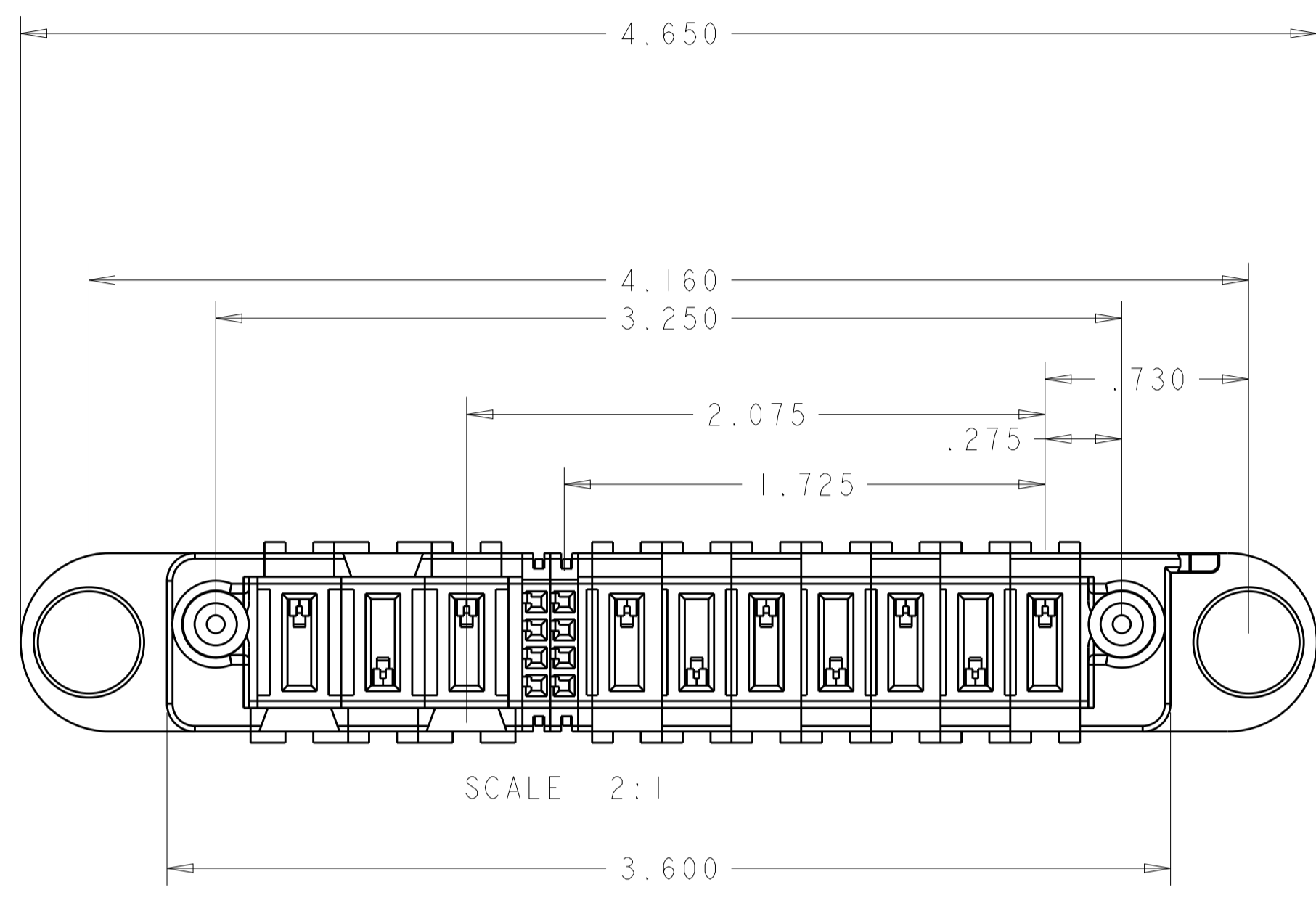


| REVISIONS |     |                           |           |       |
|-----------|-----|---------------------------|-----------|-------|
| P.        | LTN | DESCRIPTION               | DATE      | APVD  |
| M4        |     | ADD NEW DASH NUMBER 3-9   | 22JAN2016 | CZ SZ |
| M5        |     | REVISED 3-9               | 28JAN2016 | CZ SZ |
| M6        |     | ADDED NEW DASH NUMBER 4-0 | 01MAR2016 | CZ SZ |



|  |  |                                |  |
|--|--|--------------------------------|--|
| THIS DRAWING IS A CONTROLLED DOCUMENT. |  | DWN<br>D. RINGLER<br>28JUL2003 | TE Connectivity  |
| DIMENSIONS:                            |  | CHK<br>M. CORRELL<br>28JUL2003 |  |
| mm                                     | TOLERANCES UNLESS OTHERWISE SPECIFIED: | APVD                           | NAME   |
| 0 PLC ±                                | 1 PLC ±                                | PRODUCT SPEC                   | PANEL MOUNT CABLE RECEPTACLE HOUSING WITH GUIDES MULTI-BEAM XL |
| 2 PLC ±                                | 3 PLC ±                                | 108-2157                       | APPLICATION SPEC   |
| 4 PLC ±.005                            | ANGLES ±.0020                          | 114-13112                      | SIZE   |
| MATERIAL                               | FINISH                                 | WEIGHT                         | CAGE CODE  |
| TBD                                    |  |                                | A1   |
| CUSTOMER DRAWING                       |  | SCALE                          | 4:1  |
|  |  | SHEET                          | 1 OF 5   |
|  |  | REV                            | M5   |

| REVISIONS |     |             |      |      |
|-----------|-----|-------------|------|------|
| P.        | LTN | DESCRIPTION | DATE | APVD |
|           |     |             |      |      |



- ① DIM S IS CENTERLINE SPACING OF POWER MODULES ON RIGHT SIDE OF HOUSING.
- ② DIM T IS CENTERLINE SPACING OF POWER MODULES ON LEFT SIDE OF HOUSING.
- ③ OPTIONAL CENTER MODULE.
- ④ COMPANY TRADEMARK, PART NUMBER, AND DATE CODE TO BE MARKED IN AREA SHOWN PARTS UNDER 2.00 LONG MAY BE MARKED ON BOTH SIDES.
- ⑤ MATERIAL: THERMO PLASTIC, UL94 V-0.
- ⑥ DATUM LOCATIONS AND BASIC DIMENSIONS TO BE ESTABLISHED BY THE CUSTOMER.
- ⑦ BULKHEAD THICKNESS RANGE: .031 - .100
- ⑧ CONNECTOR MATED TO PANEL FROM OPPOSITE SIDE.
- ⑨ NO BURRS ALLOWED ON OPPOSITE (MATING) SIDE.
- ⑩ CONNECTOR KEEP OUT ZONE.
- ⑪ MOUNT CONNECTOR WITH TYCO HARDWARE KIT (SEE TABLE) FOR .050 [1.27mm] MIN RADIAL FLOAT.
- ⑫ VARIABLE DIMENSIONS SHOWN ON VIEW (SHEET 3).
- ⑬ NOT RELEASE FOR PRODUCTION
- 14. HARDWARE KIT P/N SOLD SEPARATELY

OBSOLETE

| 1600914-1   | NO              | 2.375 | 4.300 | .300  | .250  | 3.575 | 4.650 | .450  | 5.700 | 5.210 | 8P + 44S + 3ACP   | 4-1600636-0 |
|-------------|-----------------|-------|-------|-------|-------|-------|-------|-------|-------|-------|-------------------|-------------|
| 1600914-1   | NO              | .625  | 1.200 | -     | -     | 1.000 | 1.450 | .450  | 2.500 | 2.010 | 1P + 12S + 1P     | 3-1600636-9 |
| 1600914-1   | NO              | 1.425 | 2.500 | .250  | .250  | 2.150 | 2.850 | .450  | 3.900 | 3.410 | 4P + 24S + 2P     | 3-1600636-8 |
| 1600914-1   | NO              | .675  | 1.700 | -     | -     | 1.600 | 2.050 | .450  | 3.100 | 2.610 | 1P + 32S + 1P     | 3-1600636-7 |
| 1600914-1   | NO              | .875  | 1.700 | .250  | .250  | 1.350 | 2.050 | .450  | 3.100 | 2.610 | 2P + 16S + 2P     | 3-1600636-6 |
| 1600914-1   | NO              | .675  | 1.100 | -     | -     | 1.000 | 1.450 | .450  | 2.500 | 2.010 | 1P + 8S + 1P      | 3-1600636-5 |
| 1600914-1   | NO              | 1.325 | 3.000 | .250  | .300  | 1.650 | 3.350 | .475  | 4.400 | 3.910 | 3ACP + 8S + 6P    | 3-1600636-4 |
| 1600000-1   | NO              | 1.325 | 3.000 | .300  | .300  | 2.275 | 3.350 | .475  | 4.400 | 3.910 | 3ACP + 32S + 3ACP | 3-1600636-3 |
| 1600914-1   | NO              | 1.725 | 3.250 | .300  | .250  | 2.075 | 3.600 | .450  | 4.650 | 4.160 | 7P + 8S + 3ACP    | 2-1600636-9 |
| 1600914-1   | NO              | 1.025 | 1.800 | .300  | .300  | 1.375 | 2.150 | .475  | 3.200 | 2.710 | 2ACP + 8S + 2ACP  | 2-1600636-8 |
| 1600914-1   | NO              | 1.325 | 3.250 | .250  | .300  | 1.650 | 3.600 | .475  | 4.650 | 4.160 | 3ACP + 8S + 7P    | 2-1600636-7 |
| 1600000-1   | NO              | 1.325 | 3.000 | .300  | .300  | 2.275 | 3.350 | .475  | 4.400 | 3.910 | 3ACP + 32S + 3ACP | 2-1600636-6 |
| 1600000-1   | NO              | 1.025 | 2.200 | .300  | .300  | 1.775 | 2.550 | .475  | 3.600 | 3.110 | 2ACP + 24S + 2ACP | 2-1600636-5 |
| ⑬ 1600914-1 | NO              | 1.175 | 2.300 | .250  | .250  | 1.700 | 2.650 | .450  | 3.700 | 3.210 | 3P + 16S + 3P     | 2-1600636-4 |
| ⑬ 1600914-3 | NO              | 2.225 | 4.800 | .250  | .300  | 2.950 | 5.150 | .475  | 6.200 | 5.710 | 6ACP + 24S + 8P   | 2-1600636-3 |
| ⑬ 1600914-1 | NO              | 1.425 | 3.200 | .250  | .250  | 2.350 | 3.550 | .450  | 4.600 | 4.110 | 4P + 32S + 4P     | 2-1600636-2 |
| 1600914-1   | NO              | 1.925 | 3.400 | .300  | .250  | 2.675 | 3.750 | .450  | 4.800 | 4.310 | 6P + 24S + 3ACP   | 2-1600636-1 |
| 1600914-1   | NO              | .725  | 2.500 | -     | -     | 2.375 | 2.850 | .475  | 3.900 | 3.410 | 1P + 60S + 1P     | 2-1600636-0 |
| 1600914-1   | NO              | 1.875 | 3.450 | ⑫     | ⑫     | 2.775 | 3.800 | .425  | 4.850 | 4.380 | 6P + 32S + 3 ACP  | 1-1600636-8 |
| 1600914-1   | NO              | 1.925 | 2.600 | .250  | .250  | 2.250 | 2.950 | .450  | 4.000 | 3.510 | 6P + 8S + 2P      | 1-1600636-7 |
| 1600914-3   | NO              | 2.175 | 5.100 | .250  | .250  | 3.500 | 5.450 | .450  | 6.500 | 6.010 | 7P + 48S + 7P     | 1-1600636-6 |
| 1600914-1   | NO              | 1.425 | 3.000 | .250  | .250  | 2.150 | 3.350 | .450  | 4.400 | 3.910 | 4P + 24S + 4P     | 1-1600636-5 |
| 1600914-1   | NO              | 1.325 | 2.800 | .300  | .300  | 2.075 | 3.150 | .475  | 4.200 | 3.710 | 3ACP + 24S + 3ACP | 1-1600636-4 |
| 1600914-1   | NO              | .675  | 1.300 | -     | -     | 1.200 | 1.650 | .450  | 2.700 | 2.210 | 1P + 16S + 1P     | 1-1600636-3 |
| 1600914-1   | NO              | 1.425 | 3.000 | .250  | .250  | 2.150 | 3.350 | .450  | 4.400 | 3.910 | 4P + 24S + 4P     | 1-1600636-2 |
| 1600914-1   | NO              | .700  | 1.575 | -     | -     | 1.425 | 1.925 | .475  | 2.975 | 2.485 | 1P + 24S + 1P     | 1-1600636-1 |
| 1600914-1   | NO              | .925  | 1.800 | .250  | .250  | 1.450 | 2.150 | .450  | 3.200 | 2.710 | 2P + 16S + 2P     | 1-1600636-0 |
| 1600914-1   | NO              | .700  | 1.575 | -     | -     | 1.425 | 1.925 | .475  | 2.975 | 2.485 | 1P + 24S + 1P     | 1600636-9   |
| 1600914-1   | NO              | 1.175 | 2.300 | .250  | .250  | 1.700 | 2.650 | .450  | 3.700 | 3.210 | 3P + 16S + 3P     | 1600636-8   |
| 1600914-1   | NO              | 1.425 | 2.500 | .250  | .250  | 2.150 | 2.850 | .450  | 3.900 | 3.410 | 4P + 24S + 2P     | 1600636-7   |
| 1600914-3   | NO              | 1.625 | 5.200 | .250  | .300  | 2.350 | 5.550 | .475  | 6.600 | 6.110 | 4ACP + 24S + 12P  | 1600636-6   |
|             | NO              | 1.425 | 3.000 | .250  | .250  | 2.150 | 3.350 | .450  | 4.400 | 3.910 | 4P + 24S + 4P     | 1600636-5   |
| 1600914-1   | NO              | .925  | 2.500 | .250  | .250  | 2.150 | 2.850 | .450  | 3.900 | 3.410 | 2P + 44S + 2P     | 1600636-4   |
| 1600914-1   | NO              | .750  | 1.675 | -     | -     | 1.525 | 2.025 | .475  | 3.075 | 2.585 | 1P + 24S + 1P     | 1600636-3   |
| 1600914-1   | NO              | .925  | 2.000 | .250  | .250  | 1.650 | 2.350 | .450  | 3.400 | 2.910 | 2P + 24S + 2P     | 1600636-2   |
| 1600914-3   | NO              | 1.925 | 4.000 | .300  | .300  | 2.675 | 4.350 | .475  | 5.400 | 4.910 | 5ACP + 24S + 5ACP | 1600636-1   |
| KIT P/N     | ⑬ CENTER MODULE | DIM W | DIM U | DIM T | DIM S | DIM R | DIM L | DIM K | DIM F | DIM E | DESCRIPTION       | PART NUMBER |

THIS DRAWING IS A CONTROLLED DOCUMENT. DWN 28 JUL 2003  
 CHW D. RINGLER 28 JUL 2003  
 M. CORRELL 28 JUL 2003

DIMENSIONS: mm  
 TOLERANCES UNLESS OTHERWISE SPECIFIED:  
 0 PLC ±.  
 1 PLC ±.  
 2 PLC ±.  
 3 PLC ±.005  
 4 PLC ±.002  
 ANGLES ±.0020

MATERIAL TBD/⑥ FINISH

PRODUCT SPEC 108-2157  
 APPLICATION SPEC 114-13112  
 WEIGHT  
 CUSTOMER DRAWING

NAME PANEL MOUNT CABLE RECEPTACLE HOUSING WITH GUIDES MULTI-BEAM XL  
 SIZE A1  
 CAGE CODE 1600636  
 SCALE 4:1 SHEET 5 OF 5 REV M5

STE TE Connectivity





| PART NUMBER     | ROWS             | POWER |     |     |     |     |    |    |    | SIGNAL |   |   |   |   |   |    |    | POWER |    |    |    |  |  |  |  |
|-----------------|------------------|-------|-----|-----|-----|-----|----|----|----|--------|---|---|---|---|---|----|----|-------|----|----|----|--|--|--|--|
|                 |                  | P14   | P13 | P12 | P11 | P10 | P9 | P8 | P7 | 6      | 5 | 4 | 3 | 2 | 1 | P6 | P5 | P4    | P3 | P2 | P1 |  |  |  |  |
| 2-1600636-3     | D<br>C<br>B<br>A | RM    | RA  |     |     |     |    |    |    | E      | E | E | E | E | E | RA |    | RM    | RM | RM | RM |  |  |  |  |
| 6ACP + 24S + 8P |                  |       |     |     |     |     |    |    |    |        |   |   |   |   |   |    |    |       |    |    |    |  |  |  |  |

| PART NUMBER      | ROWS             | POWER (L) |    | SIGNAL |   | POWER (R) |    |
|------------------|------------------|-----------|----|--------|---|-----------|----|
|                  |                  | P4        | P3 | 2      | 1 | P2        | P1 |
| 2-1600636-8      | D<br>C<br>B<br>A | RA        | RA | E      | E | RA        | RA |
| 2ACP + 8S + 2ACP |                  |           |    |        |   |           |    |

NO CONTACTS LOADED

| PART NUMBER   | ROWS             | POWER (L) |    |    | SIGNAL |   |   |   | POWER (R) |    |    |
|---------------|------------------|-----------|----|----|--------|---|---|---|-----------|----|----|
|               |                  | P6        | P5 | P4 | 4      | 3 | 2 | 1 | P3        | P2 | P1 |
| 2-1600636-4   | D<br>C<br>B<br>A | RM        | RM | RM | E      | E | E | E | RM        | RM | RM |
| 3P + 16S + 3P |                  |           |    |    |        |   |   |   |           |    |    |

| PART NUMBER    | ROWS             | POWER |    |    | SIGNAL |   | POWER |    |    |    |    |    |    |  |
|----------------|------------------|-------|----|----|--------|---|-------|----|----|----|----|----|----|--|
|                |                  | P10   | P9 | P8 | 2      | 1 | P7    | P6 | P5 | P4 | P3 | P2 | P1 |  |
| 2-1600636-9    | D<br>C<br>B<br>A | RM    | RM | RM | E      | E | RM    | RM | RM | RM | RM | RM | RM |  |
| 7P + 8S + 3ACP |                  |       |    |    |        |   |       |    |    |    |    |    |    |  |

| PART NUMBER    | ROWS             | POWER |    |    |    |    |    | SIGNAL |   | POWER |    |    |
|----------------|------------------|-------|----|----|----|----|----|--------|---|-------|----|----|
|                |                  | P9    | P8 | P7 | P6 | P5 | P4 | 2      | 1 | P3    | P2 | P1 |
| 3-1600636-4    | D<br>C<br>B<br>A | RM    | RM | RM | RM | RM | RM | E      | E | RM    | RM | RM |
| 3ACP + 8S + 6P |                  |       |    |    |    |    |    |        |   |       |    |    |

| PART NUMBER       | ROWS             | POWER (L) |    | SIGNAL |   |   |   |   |   | POWER (R) |    |
|-------------------|------------------|-----------|----|--------|---|---|---|---|---|-----------|----|
|                   |                  | P4        | P3 | 6      | 5 | 4 | 3 | 2 | 1 | P2        | P1 |
| 2-1600636-5       | D<br>C<br>B<br>A | RA        | RA | E      | E | E | E | E | E | RA        | RA |
| 2ACP + 24S + 2ACP |                  |           |    |        |   |   |   |   |   |           |    |

| PART NUMBER       | ROWS             | POWER |    |    | SIGNAL |   |   |   |   |   |   |   | POWER |    |    |
|-------------------|------------------|-------|----|----|--------|---|---|---|---|---|---|---|-------|----|----|
|                   |                  | P6    | P5 | P4 | 8      | 7 | 6 | 5 | 4 | 3 | 2 | 1 | P3    | P2 | P1 |
| 3-1600636-3       | D<br>C<br>B<br>A | RM    | RM | RM | E      | E | E | E | E | E | E | E | RA    | RM | RM |
| 3ACP + 32S + 3ACP |                  |       |    |    |        |   |   |   |   |   |   |   |       |    |    |

| PART NUMBER  | ROWS             | P(L) | SIGNAL |   | P(R) |
|--------------|------------------|------|--------|---|------|
|              |                  | P2   | 2      | 1 | P1   |
| 3-1600636-5  | D<br>C<br>B<br>A | RM   | E      | E | RM   |
| 1P + 8S + 1P |                  |      |        |   |      |

| PART NUMBER       | ROWS             | POWER |    |    | SIGNAL |   |   |   |   |   |   |   | POWER |    |    |
|-------------------|------------------|-------|----|----|--------|---|---|---|---|---|---|---|-------|----|----|
|                   |                  | P6    | P5 | P4 | 8      | 7 | 6 | 5 | 4 | 3 | 2 | 1 | P3    | P2 | P1 |
| 2-1600636-6       | D<br>C<br>B<br>A | RA    | RA | RA | E      | E | E | E | E | E | E | E | RM    | RM | RM |
| 3ACP + 32S + 3ACP |                  |       |    |    |        |   |   |   |   |   |   |   |       |    |    |


| PART NUMBER   | ROWS             | POWER (L) |    | SIGNAL |   |   |   | POWER (R) |    |
|---------------|------------------|-----------|----|--------|---|---|---|-----------|----|
|               |                  | P4        | P3 | 4      | 3 | 2 | 1 | P2        | P1 |
| 3-1600636-6   | D<br>C<br>B<br>A | RM        | RA | E      | E | E | E | RA        | RM |
| 2P + 16S + 2P |                  |           |    |        |   |   |   |           |    |

| PART NUMBER    | ROWS             | POWER |    |    |    |    |    | SIGNAL |   | POWER |    |    |
|----------------|------------------|-------|----|----|----|----|----|--------|---|-------|----|----|
|                |                  | P10   | P9 | P8 | P7 | P6 | P5 | P4     | 2 | 1     | P3 | P2 |
| 2-1600636-7    | D<br>C<br>B<br>A | RM    | RM | RM | RM | RM | RM | E      | E | RM    | RM | RM |
| 3ACP + 8S + 7P |                  |       |    |    |    |    |    |        |   |       |    |    |

| PART NUMBER   | ROWS             | POWER |    | SIGNAL |   |   |   |   |   |   |   | POWER |
|---------------|------------------|-------|----|--------|---|---|---|---|---|---|---|-------|
|               |                  | P2    | P1 | 8      | 7 | 6 | 5 | 4 | 3 | 2 | 1 | P1    |
| 3-1600636-7   | D<br>C<br>B<br>A | RM    |    | E      | E | E | E | E | E | E | E | RM    |
| 1P + 32S + 1P |                  |       |    |        |   |   |   |   |   |   |   |       |

| PART NUMBER   | ROWS             | POWER (L) |    | SIGNAL |   |   |   |   |   | POWER (R) |    |    |    |
|---------------|------------------|-----------|----|--------|---|---|---|---|---|-----------|----|----|----|
|               |                  | P6        | P5 | 6      | 5 | 4 | 3 | 2 | 1 | P4        | P3 | P2 | P1 |
| 3-1600636-8   | D<br>C<br>B<br>A | RM        | RM | E      | E | E | E | E | E | RM        | RM | RM | RA |
| 4P + 24S + 2P |                  |           |    |        |   |   |   |   |   |           |    |    |    |

| PART NUMBER   | ROWS             | POWER |    | SIGNAL |   |   | POWER |    |
|---------------|------------------|-------|----|--------|---|---|-------|----|
|               |                  | P2    | P1 | 3      | 2 | 1 | P1    | P1 |
| 3-1600636-9   | D<br>C<br>B<br>A | RM    |    | E      | E | E | RM    |    |
| 1P + 12S + 1P |                  |       |    |        |   |   |       |    |

|  |  |   |   |
|--|--|---|---|
| THIS DRAWING IS A CONTROLLED DOCUMENT.   |  | DWN: D. RINGLER 28JUL2003<br>CHG: M. CORRELL 28JUL2003  |  TE Connectivity |
| DIMENSIONS: mm<br>TOLERANCES UNLESS OTHERWISE SPECIFIED:<br>0 PLC ± .<br>1 PLC ± .<br>2 PLC ± .<br>3 PLC ± .005<br>4 PLC ± .<br>ANGLES ± . |  | APVD: -<br>PRODUCT SPEC: -<br>APPLICATION SPEC: 108-2157<br>NAME: PANEL MOUNT CABLE RECEPTACLE HOUSING WITH GUIDES MULTI-BEAM XL<br>SIZE: A1<br>CAGE CODE: -<br>DRAWING NO: 1600636<br>RESTRICTED TO: - |   |
| MATERIAL: TBD  |  | WEIGHT: -   | CUSTOMER DRAWING: -<br>SCALE: 4:1<br>SHEET: 1 OF 5<br>REV: M5   |





Компания «ЭлектроПласт» предлагает заключение долгосрочных отношений при поставках импортных электронных компонентов на взаимовыгодных условиях!

Наши преимущества:

- Оперативные поставки широкого спектра электронных компонентов отечественного и импортного производства напрямую от производителей и с крупнейших мировых складов;
- Поставка более 17-ти миллионов наименований электронных компонентов;
- Поставка сложных, дефицитных, либо снятых с производства позиций;
- Оперативные сроки поставки под заказ (от 5 рабочих дней);
- Экспресс доставка в любую точку России;
- Техническая поддержка проекта, помощь в подборе аналогов, поставка прототипов;
- Система менеджмента качества сертифицирована по Международному стандарту ISO 9001;
- Лицензия ФСБ на осуществление работ с использованием сведений, составляющих государственную тайну;
- Поставка специализированных компонентов (Xilinx, Altera, Analog Devices, Intersil, Interpoint, Microsemi, Aeroflex, Peregrine, Syfer, Eurofarad, Texas Instrument, Miteq, Cobham, E2V, MA-COM, Hittite, Mini-Circuits, General Dynamics и др.);

Помимо этого, одним из направлений компании «ЭлектроПласт» является направление «Источники питания». Мы предлагаем Вам помощь Конструкторского отдела:

- Подбор оптимального решения, техническое обоснование при выборе компонента;
- Подбор аналогов;
- Консультации по применению компонента;
- Поставка образцов и прототипов;
- Техническая поддержка проекта;
- Защита от снятия компонента с производства.



#### Как с нами связаться

**Телефон:** 8 (812) 309 58 32 (многоканальный)

**Факс:** 8 (812) 320-02-42

**Электронная почта:** [org@eplast1.ru](mailto:org@eplast1.ru)

**Адрес:** 198099, г. Санкт-Петербург, ул. Калинина, дом 2, корпус 4, литера А.