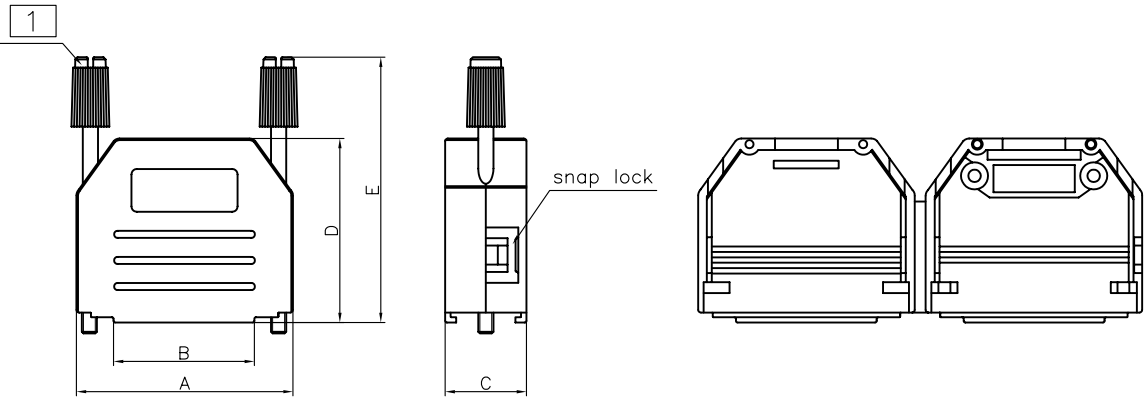


This document is the property of Amphenol Corporation and is delivered on the express condition that it is not to be disclosed, reproduced or used, in whole or in part, for manufacture or sale by anyone other than Amphenol Corporation without its prior consent, & that no right is granted to disclose or to use any information in this document.

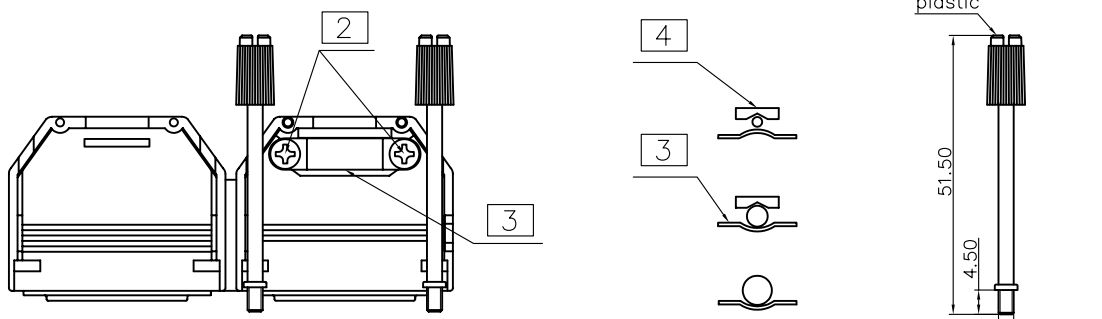


15 pos.

Drawing for sub-assembly
L17DPPK15JS

15 pos.

Plastic shell



15 pos.

Drawing for side
L17DPPK15JS

VARIANT OF CABLE
STRAIN RELIEF

1
thumb
screw

Customer drawing

Commercial Part Number	Dimension				
	A	B	C	D	E
L 17D PPK 09 JS	31.5	18	15	34	49
L 17D PPK 15 JS	40	26	15	34	49
L 17D PPK 25 JS	53.5	28	15	40	49
L 17D PPK 37 JS	71	55	16	40	49



REVISIONS				
SYM	ECN	DESCRIPTION	DATE	APPROVED
A	HK4729	Release new drawing	10/19/07	IP

D-SUB TECHNICAL DATA

Material and finish:

- Shell: Thermoplastic, UL94-V0 color black
- Thumb screws: Steel shaft with plastic knob, blue chromate plated
- Screws: Steel, blue chromate plated, Philips head
- Strain relief: Steel, blue chromate plated cable clamp with self-tapping screws
- Cover: Thermoplastic, UL94-V0 colour black
- Temperature range: -40°C to 120°C
- Attenuation factor: >40 dB between 30 MHz and 1 GHz

PRODUCT CODE

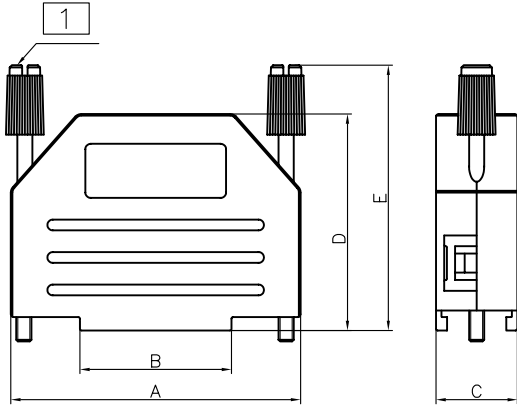
L 17DPPK XX JS

- RoHS Compliance
- Series: 17DPPK
- Position: 09,15,25,37

UNLESS OTHERWISE SPECIFIED TOLERANCES		APPROVAL		DATE
	U.S.	METRIC	DRAWN	Lisa peng 10/17/07
.X +/-		0.50	CHECKED	lik.wang 10/17/07
.XX +/-		0.30	CHECKED	
.XXX +/-		0.20		
FRACTIONS +/-		5"		
ANGLES +/-				
FOR MATERIALS AND FINISHES SEE NOTES		DRAWING FILE : \\drawing\Draw\CL17DPPKXXJS		
REMOVE SHARP EDGES		ANGLE OF PROJECTION		
DIMENSIONS				
U.S.	INCHES			
METRIC	MM			

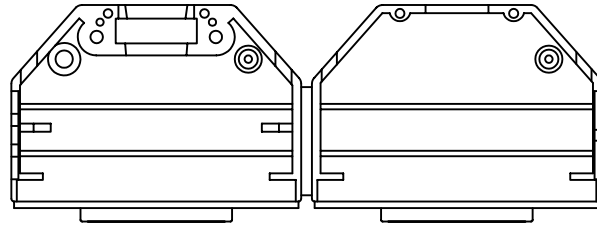
Amphenol		
TITLE Hood, DPPK Series		
SIZE	DRAWING NO.	REV.
A4	C L17D PPK XXJS	A
SCALE	NONE	SHEET 1 OF 3

This document is the property of Amphenol Corporation and is delivered on the express condition that it is not to be disclosed, reproduced or used, in whole or in part, for manufacture or sale by anyone other than Amphenol Corporation without its prior consent, & that no right is granted to disclose or to use any information in this document.



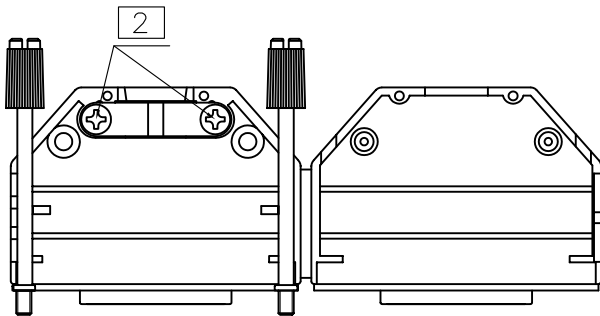
25 pos.

Drawing for sub-assembly
L17DPPK25JS



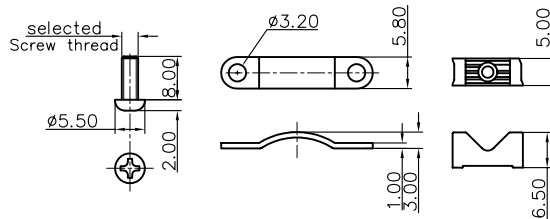
25 pos.

Plastic shell



25 pos.

Drawing for side
L17DPPK25JS



2
Screw

3
Strain relief

4
Cover

Customer drawing

Commercial Part Number	Dimension				
	A	B	C	D	E
L 17D PPK 09 JS	31.5	18	15	34	49
L 17D PPK 15 JS	40	26	15	34	49
L 17D PPK 25 JS	53.5	28	15	40	49
L 17D PPK 37 JS	71	55	16	40	49



REVISIONS				
SYM	ECN	DESCRIPTION	DATE	APPROVED
A	HK4729	Release new drawing	10/19/07	IP

D-SUB TECHNICAL DATA

Material and finish:

Shell: Thermoplastic, UL94-V0 color black

Thumb screws: Steel shaft with plastic knob, blue chromate plated

Screws: Steel, blue chromate plated, Philips head

Strain relief: Steel, blue chromate plated cable clamp with self-tapping screws

Cover: Thermoplastic, UL94-V0 colour black

Temperature range: -40°C to 120°C

Attenuation factor: >40 dB between 30 MHz and 1 GHz

PRODUCT CODE

L 17DPPK XX JS

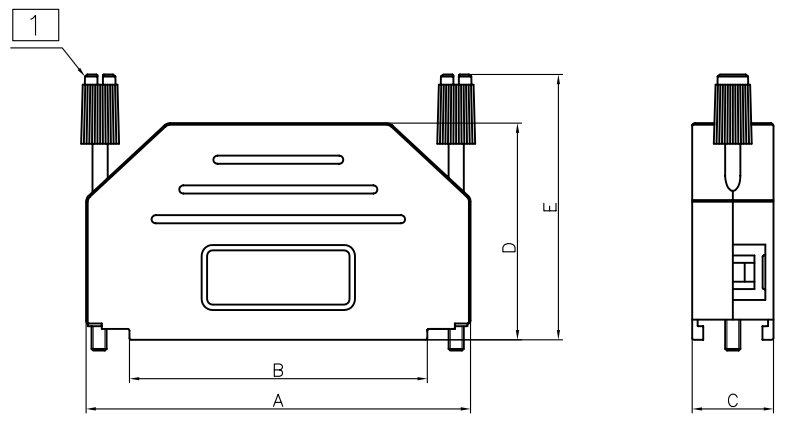
RoHS Compliance

Series: 17DPPK

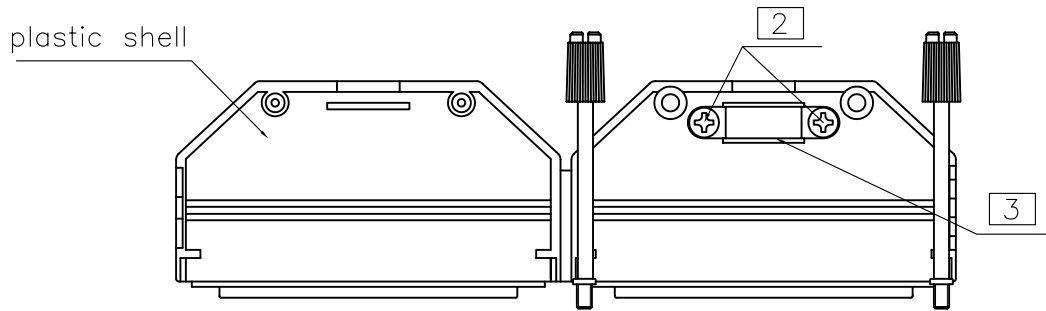
Position: 09,15,25,37

UNLESS OTHERWISE SPECIFIED TOLERANCES		APPROVAL		DATE
	U.S.	METRIC	DRAWN	Lisa peng 10/17/07
.X +/-	0.50		CHECKED	lik.wang 10/17/07
.XX +/-	0.30		CHECKED	
.XXX +/-	0.20			
FRACTIONS +/-		5"		
ANGLES +/-				
FOR MATERIALS AND FINISHES SEE NOTES		DRAWING FILE : \\drawing\Draw\CL17DPPKXXJS		
REMOVE SHARP EDGES		ANGLE OF PROJECTION		
DIMENSIONS				
U.S.	INCHES			
METRIC	MM			
TITLE		Amphenol		
Hood, DPPK Series		SIZE DRAWING NO. A4 C L17D PPK XXJS		
SCALE NONE		SHEET 2 OF 3		

This document is the property of Amphenol Corporation and is delivered on the express condition that it is not to be disclosed, reproduced or used, in whole or in part, for manufacture or sale by anyone other than Amphenol Corporation without its prior consent, & that no right is granted to disclose or to use any information in this document.



09/37 pos.
Drawing for sub-assembly
L17DPPK09JS/L17DPPK37JS



09/37 pos.
Drawing for side
L17DPPK09JS/L17DPPK37JS

Customer drawing

Commercial Part Number	Dimension				
	A	B	C	D	E
L 17D PPK 09 JS	31.5	18	15	34	49
L 17D PPK 15 JS	40	26	15	34	49
L 17D PPK 25 JS	53.5	28	15	40	49
L 17D PPK 37 JS	71	55	16	40	49

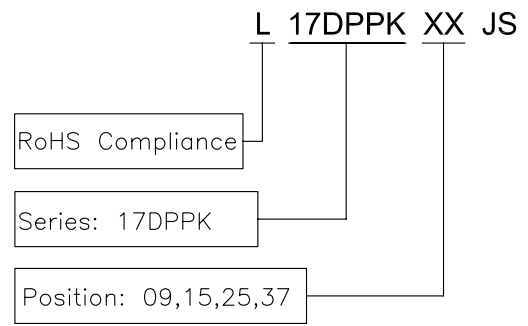


REVISIONS				
SYM	ECN	DESCRIPTION	DATE	APPROVED
A	HK4729	Release new drawing	10/19/07	IP

D-SUB TECHNICAL DATA

Material and finish:
 Shell: Thermoplastic, UL94-V0 color black
 Thumb screws: Steel shaft with plastic knob, blue chromate plated
 Screws: Steel, blue chromate plated, Philips head
 Strain relief: Steel, blue chromate plated cable clamp with self-tapping screws
 Cover: Thermoplastic, UL94-V0 colour black
 Temperature range: -40°C to 120°C
 Attenuation factor: >40 dB between 30 MHz and 1 GHz

PRODUCT CODE



UNLESS OTHERWISE SPECIFIED TOLERANCES		APPROVAL		DATE
	U.S.	METRIC	DRAWN	Lisa.peng 10/17/07
.X +/-		0.50	CHECKED	lik.wang 10/17/07
.XX +/-		0.30	CHECKED	
.XXX +/-		0.20		
FRACTIONS +/-		5"		
ANGLES +/-				
FOR MATERIALS AND FINISHES SEE NOTES		DRAWING FILE : \drawing\Draw\CL17DPPKXXJS		
REMOVE SHARP EDGES		ANGLE OF PROJECTION		
DIMENSIONS				
U.S.	INCHES			
METRIC	MM			

Amphenol		
TITLE Hood, DPPK Series		
SIZE	DRAWING NO.	REV.
A4	C L17D PPK XXJS	A
SCALE	NONE	SHEET 3 OF 3



Компания «ЭлектроПласт» предлагает заключение долгосрочных отношений при поставках импортных электронных компонентов на взаимовыгодных условиях!

Наши преимущества:

- Оперативные поставки широкого спектра электронных компонентов отечественного и импортного производства напрямую от производителей и с крупнейших мировых складов;
- Поставка более 17-ти миллионов наименований электронных компонентов;
- Поставка сложных, дефицитных, либо снятых с производства позиций;
- Оперативные сроки поставки под заказ (от 5 рабочих дней);
- Экспресс доставка в любую точку России;
- Техническая поддержка проекта, помощь в подборе аналогов, поставка прототипов;
- Система менеджмента качества сертифицирована по Международному стандарту ISO 9001;
- Лицензия ФСБ на осуществление работ с использованием сведений, составляющих государственную тайну;
- Поставка специализированных компонентов (Xilinx, Altera, Analog Devices, Intersil, Interpoint, Microsemi, Aeroflex, Peregrine, Syfer, Eurofarad, Texas Instrument, Miteq, Cobham, E2V, MA-COM, Hittite, Mini-Circuits, General Dynamics и др.);

Помимо этого, одним из направлений компании «ЭлектроПласт» является направление «Источники питания». Мы предлагаем Вам помощь Конструкторского отдела:

- Подбор оптимального решения, техническое обоснование при выборе компонента;
- Подбор аналогов;
- Консультации по применению компонента;
- Поставка образцов и прототипов;
- Техническая поддержка проекта;
- Защита от снятия компонента с производства.



Как с нами связаться

Телефон: 8 (812) 309 58 32 (многоканальный)

Факс: 8 (812) 320-02-42

Электронная почта: org@eplast1.ru

Адрес: 198099, г. Санкт-Петербург, ул. Калинина, дом 2, корпус 4, литера А.