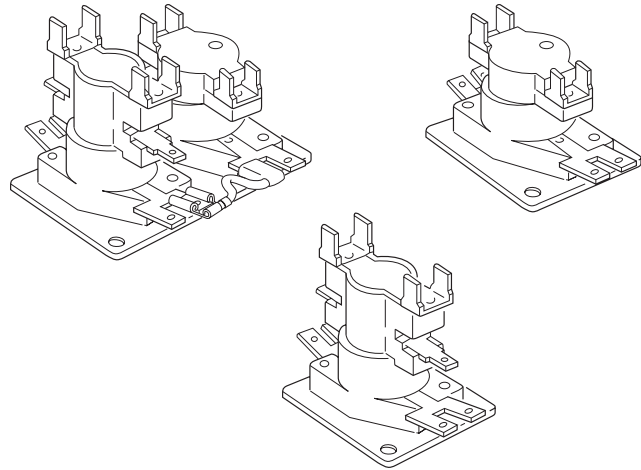


FAILURE TO READ AND FOLLOW ALL INSTRUCTIONS CAREFULLY BEFORE INSTALLING OR OPERATING THIS CONTROL COULD CAUSE PERSONAL INJURY AND/OR PROPERTY DAMAGE.

DESCRIPTION

The 24A34 Series Fan/Heat Sequencer gives the service technician a direct replacement for sequencing both fan and heat. The terminal markings on the 24A34 sequencers are equivalent to most other manufacturers' types.

These sequencers may be wired in series, as shown in wiring diagrams, to allow sequencing of one through seven element furnaces.



⚠ CAUTION

To prevent electrical shock and/or equipment damage, disconnect electric power to system, at main fuse or circuit breaker box, until installation is complete.

Do not use on circuits exceeding specified voltage. Higher voltage will damage control and could cause shock or fire hazard.

SPECIFICATIONS

Electrical Ratings - Single Load Contact Ratings (All Models)

VAC	Resistive (Non-Inductive)		Motor Ratings (Inductive)		Pilot Duty
	Watts	Amps	Full Load	Locked Rotor	
120	3000	25.0	14.0A	72.0A	125 VA
240	6000	25.0	7.0A	42.0A	125 VA
480	6000	12.5	–	–	480 VA

Electrical Ratings - Single Load Contact Ratings (All Models)

Model Number	Timings	Switches	Timings – ON					Timings – OFF				
			M1-M2	M3-M4	M5-M6	M7-M8	M9-M10	M1-M2	M3-M4	M5-M6	M7-M8	M9-M10
24A34-1	1	1	1-20	–	–	–	–	40-110	–	–	–	–
24A34-2	1	1	–	–	30-90	–	–	–	–	1-30	–	–
24A34-3 ①	1	2	1-20	◆ 1-20	–	–	–	40-110	◆ 40-110	–	–	–
24A34-4	1	2	–	–	30-90	◆ 30-90	–	–	–	1-30	◆ 1-30	–
24A34-5 ①	2	3	1-110	◆ 1-110	1-110	–	–	1-110	◆ 1-110	1-110	–	–
24A34-6 ①	2	4	1-110	◆ 1-110	1-110	◆ 1-110	–	1-110	◆ 1-110	1-110	◆ 1-110	–
24A34-14 ①②	4	5	1-160	◆ 1-160	1-160	◆ 1-160	1-160	1-160	◆ 1-160	1-160	◆ 1-160	1-160
24A34-15	1	1	1-60	–	–	–	–	75-95	–	–	–	–

TABLE NOTES:

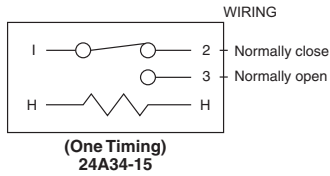
① M1-M2 and M3-M4 are always first switches to turn ON and last to turn OFF. All other switches are random ON and random OFF

② 24A34-14 Switch contacts designated F₁ - F₂ instead of M₁ - M₂

◆ These contacts switch simultaneously

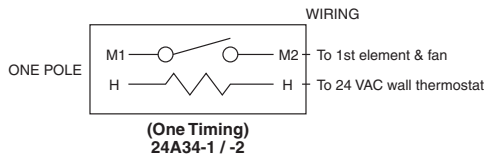
NOTE: Underwriters Laboratories requires a fan interlock circuit to insure the blower remains operating whenever more than one sequencer is used. The fan interlock should be the M₁ / M₂ contacts of the second or third sequencer. All M₁ / M₂ contacts are wired to the blower motor so that any sequencer that is energized will keep the blower ON.

FAN DELAY OFF

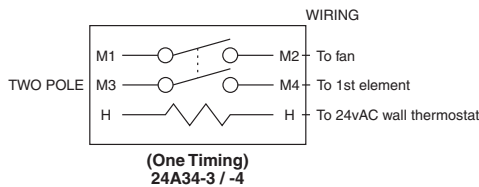


FOR ONE ELEMENT FURNACES

COMBINATION Fan and Heater Loads

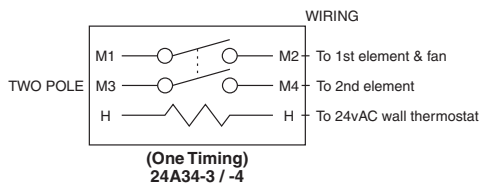


SEPARATE Fan and Heater Loads

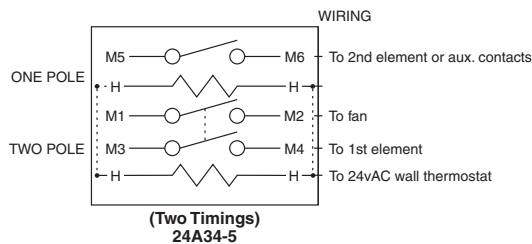


FOR TWO ELEMENT FURNACES

COMBINATION Fan and Heater Loads



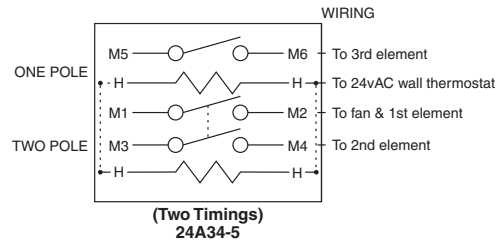
SEPARATE Fan and Heater Loads



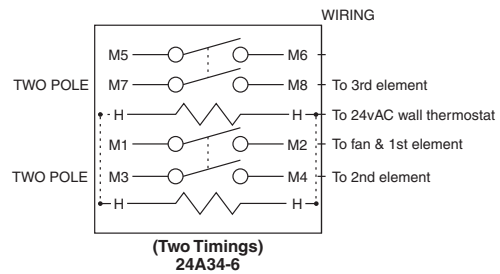
..... DOTTED LINE BETWEEN "H" TERMINAL IS A FACTORY-INSTALLED JUMPER

FOR THREE ELEMENT FURNACES WITH COMBINATION FAN & HEATER LOADS

SINGLE-STAGE Room Thermostat

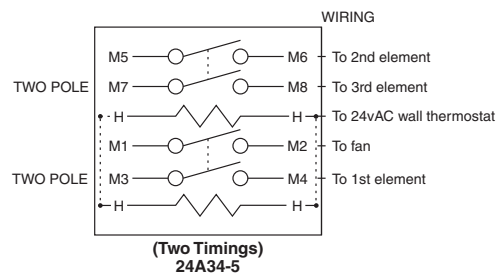


TWO-STAGE Room Thermostat Option

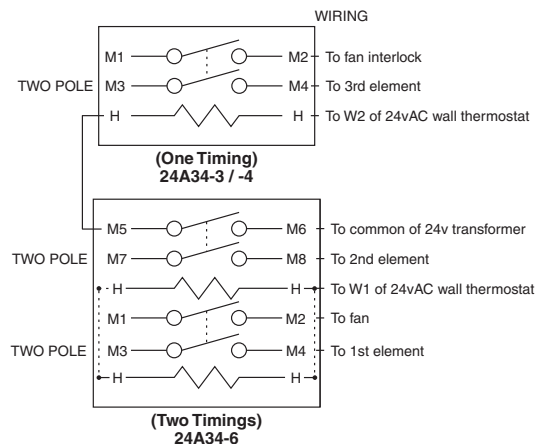


FOR THREE ELEMENT FURNACES WITH SEPARATE FAN & HEATER LOADS

SINGLE-STAGE Room Thermostat



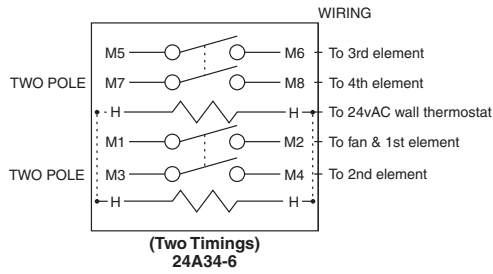
TWO-STAGE Room Thermostat Option



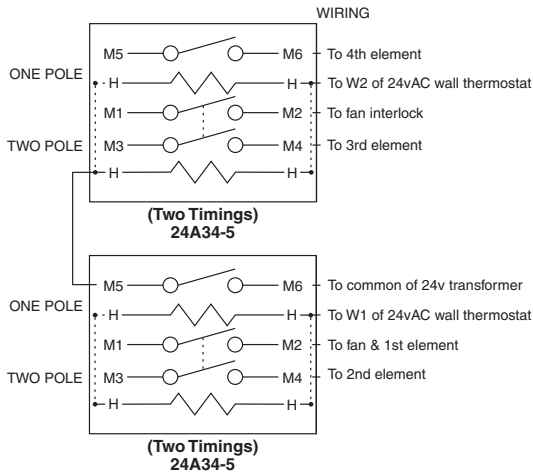
FOR FOUR ELEMENT FURNACES

COMBINATION Fan and Heater Loads

SINGLE-STAGE Room Thermostat

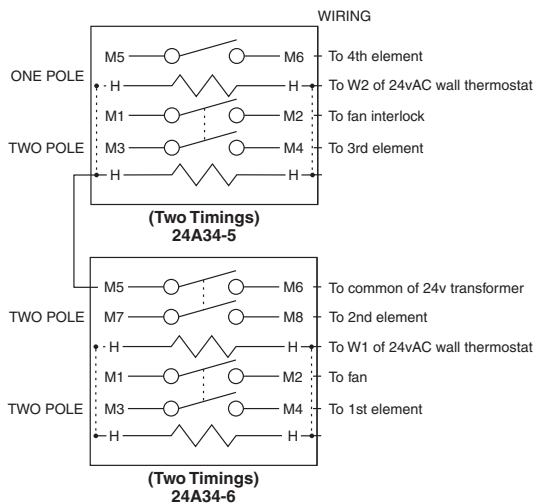


TWO-STAGE Room Thermostat Option after 2nd Element



SEPARATE Fan and Heater Loads

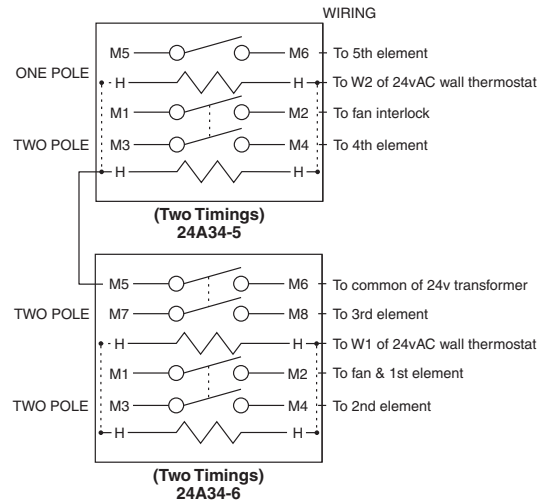
TWO-STAGE Room Thermostat Option after 2nd Element



FOR FIVE ELEMENT FURNACES

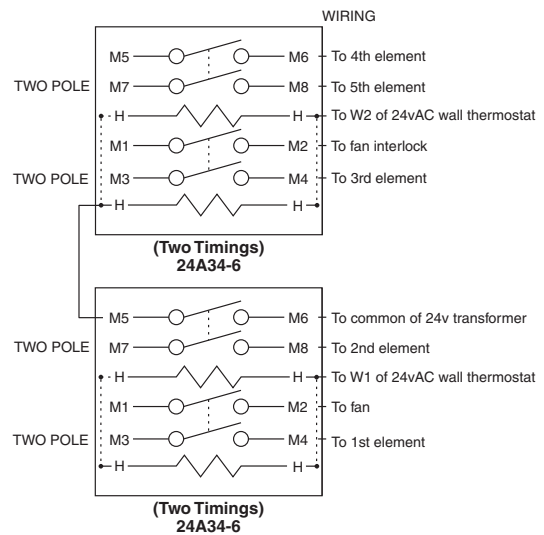
COMBINATION Fan and Heater Loads

TWO-STAGE Room Thermostat Option After 3rd Element



SEPARATE Fan and Heater Loads

TWO-STAGE Room Thermostat Option After 2nd Element

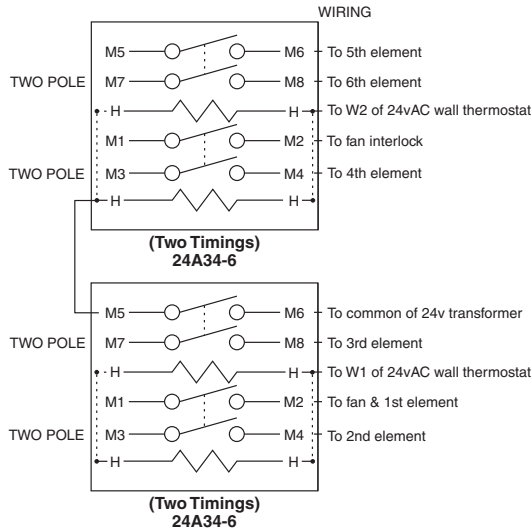


..... DOTTED LINE BETWEEN "H" TERMINAL IS A FACTORY-INSTALLED JUMPER

FOR SIX ELEMENT FURNACES

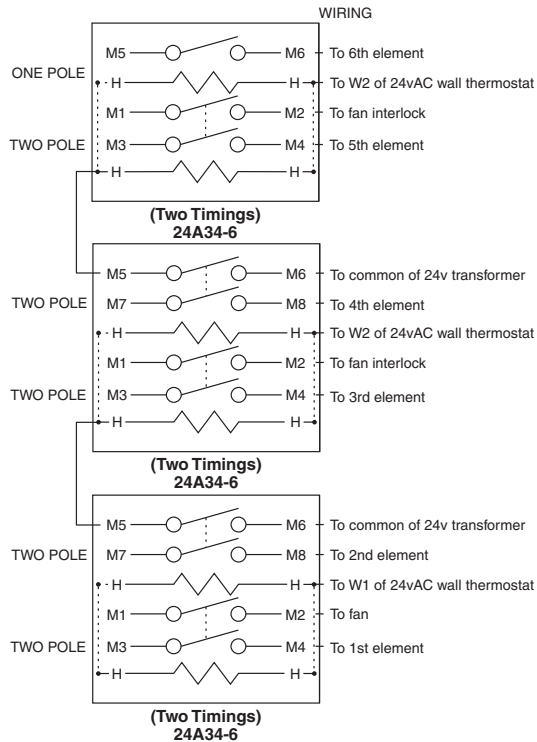
COMBINATION Fan and Heater Loads

TWO-STAGE Room Thermostat Option After 3rd Element



SEPARATE Fan and Heater Loads

TWO-STAGE Room Thermostat Option After 2nd or 4th Element

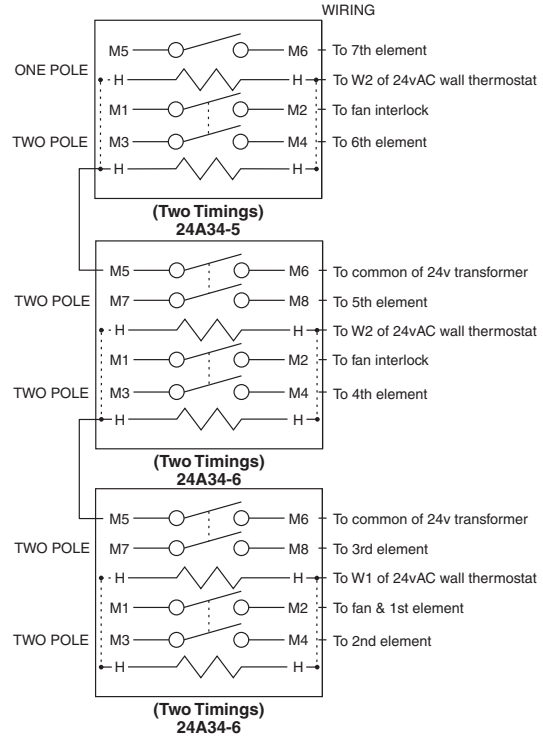


..... DOTTED LINE BETWEEN "H" TERMINAL IS A FACTORY-INSTALLED JUMPER

FOR SEVEN ELEMENT FURNACES

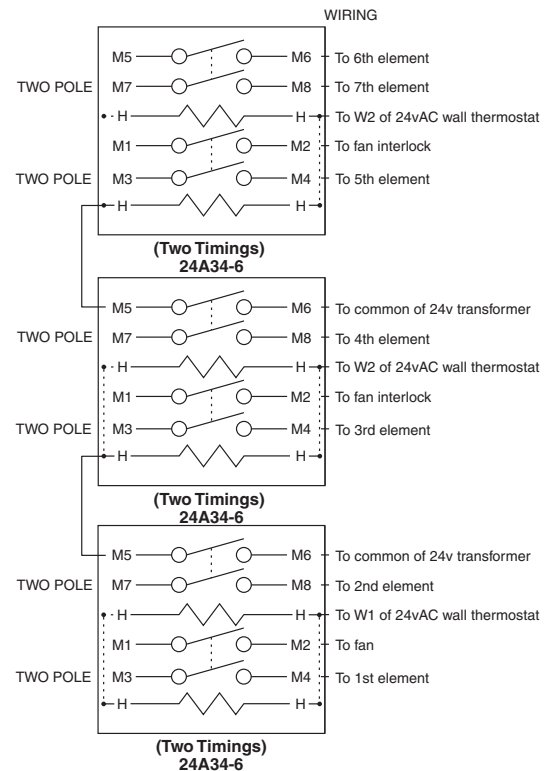
COMBINATION Fan and Heater Loads

TWO-STAGE Room Thermostat Option After 3rd or 5th Element



SEPARATE Fan and Heater Loads

TWO-STAGE Room Thermostat Option After 3rd or 5th Element



White
Rodgers™

White-Rodgers is a division of Emerson Electric Co.

The Emerson logo is a trademark and service mark of Emerson Electric Co.

www.white-rodgers.com
www.emersonclimate.com


EMERSON
Climate Technologies



Компания «ЭлектроПласт» предлагает заключение долгосрочных отношений при поставках импортных электронных компонентов на взаимовыгодных условиях!

Наши преимущества:

- Оперативные поставки широкого спектра электронных компонентов отечественного и импортного производства напрямую от производителей и с крупнейших мировых складов;
- Поставка более 17-ти миллионов наименований электронных компонентов;
- Поставка сложных, дефицитных, либо снятых с производства позиций;
- Оперативные сроки поставки под заказ (от 5 рабочих дней);
- Экспресс доставка в любую точку России;
- Техническая поддержка проекта, помощь в подборе аналогов, поставка прототипов;
- Система менеджмента качества сертифицирована по Международному стандарту ISO 9001;
- Лицензия ФСБ на осуществление работ с использованием сведений, составляющих государственную тайну;
- Поставка специализированных компонентов (Xilinx, Altera, Analog Devices, Intersil, Interpoint, Microsemi, Aeroflex, Peregrine, Syfer, Eurofarad, Texas Instrument, Miteq, Cobham, E2V, MA-COM, Hittite, Mini-Circuits, General Dynamics и др.);

Помимо этого, одним из направлений компании «ЭлектроПласт» является направление «Источники питания». Мы предлагаем Вам помощь Конструкторского отдела:

- Подбор оптимального решения, техническое обоснование при выборе компонента;
- Подбор аналогов;
- Консультации по применению компонента;
- Поставка образцов и прототипов;
- Техническая поддержка проекта;
- Защита от снятия компонента с производства.



Как с нами связаться

Телефон: 8 (812) 309 58 32 (многоканальный)

Факс: 8 (812) 320-02-42

Электронная почта: org@eplast1.ru

Адрес: 198099, г. Санкт-Петербург, ул. Калинина, дом 2, корпус 4, литера А.