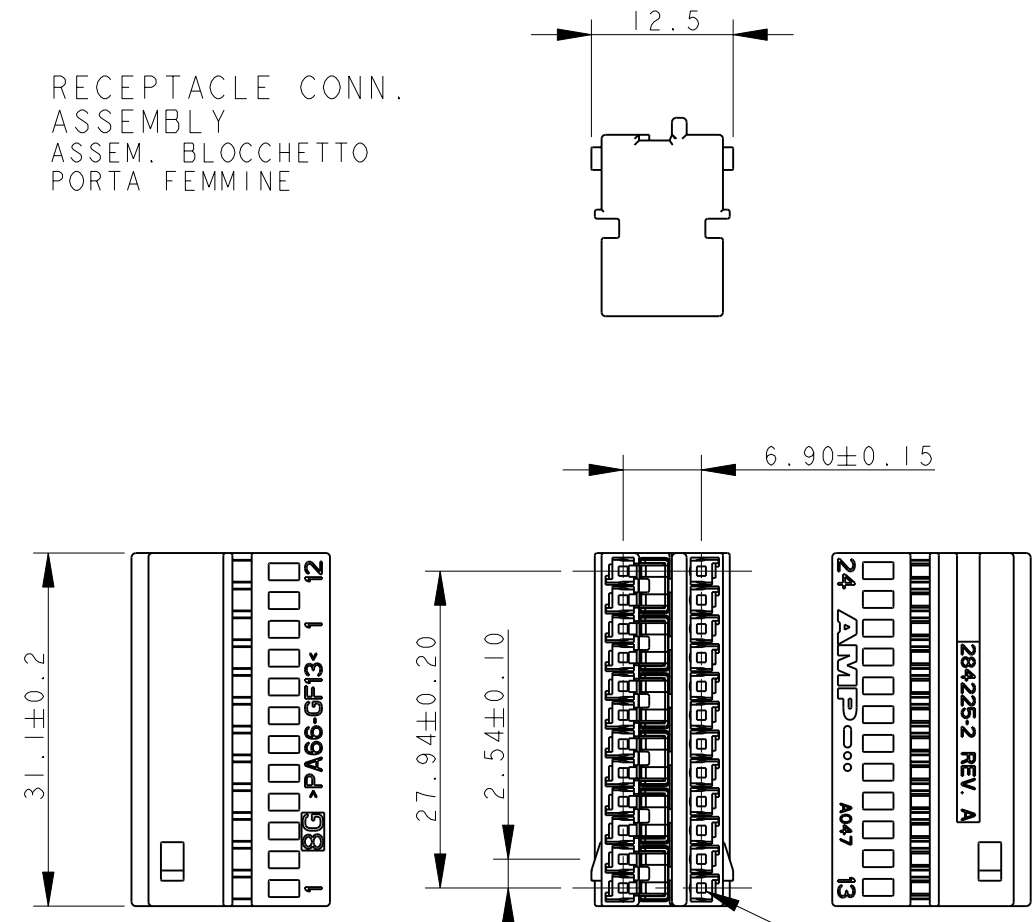
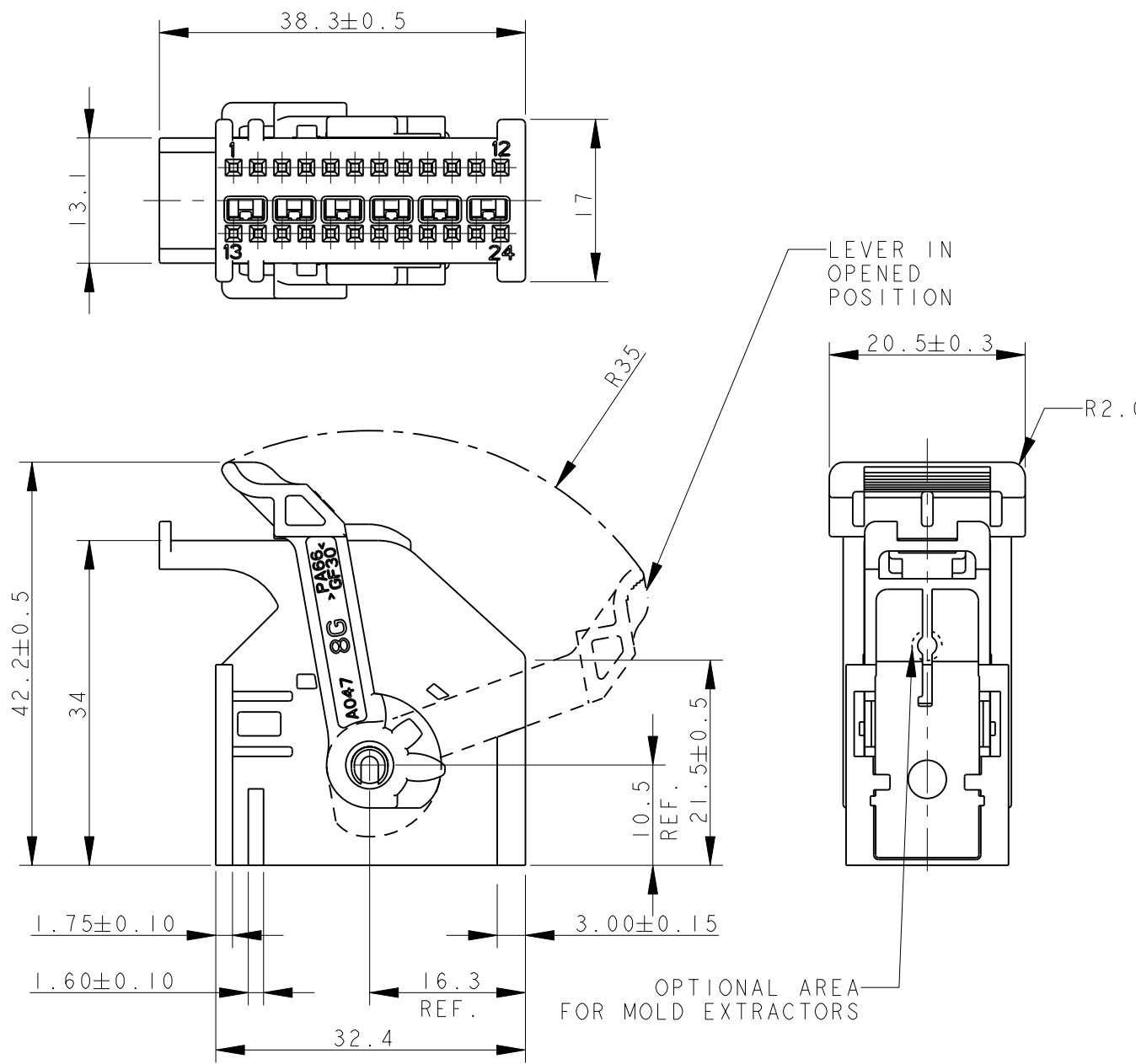
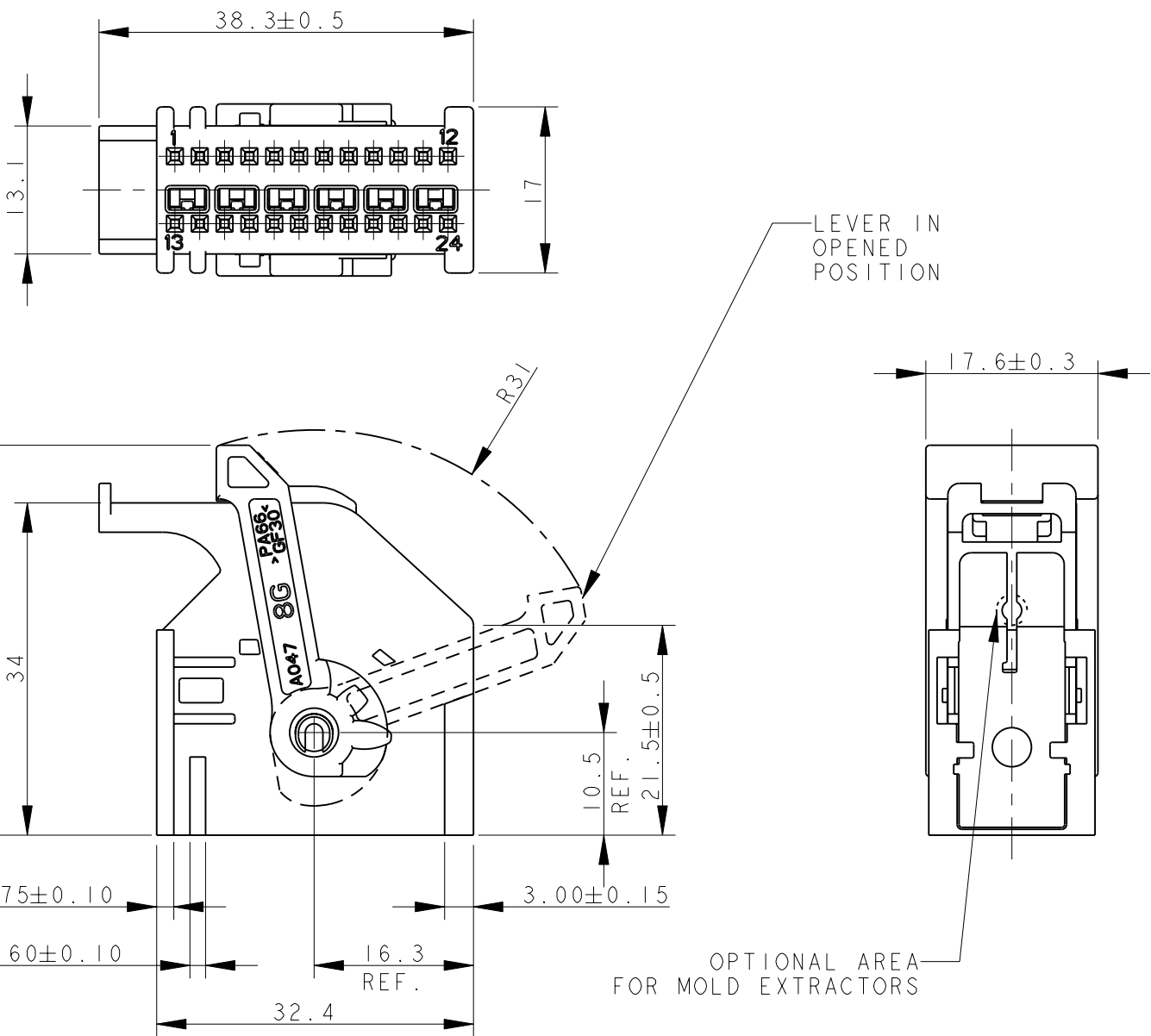
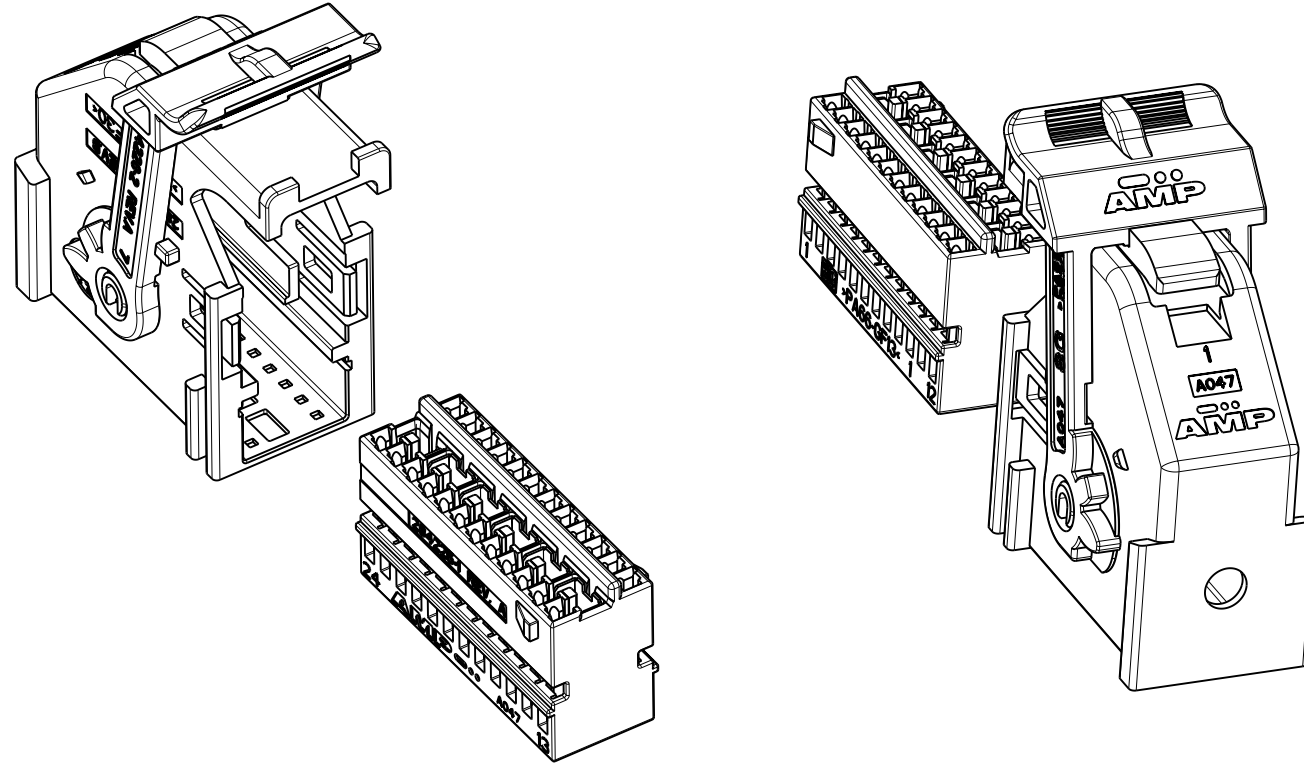
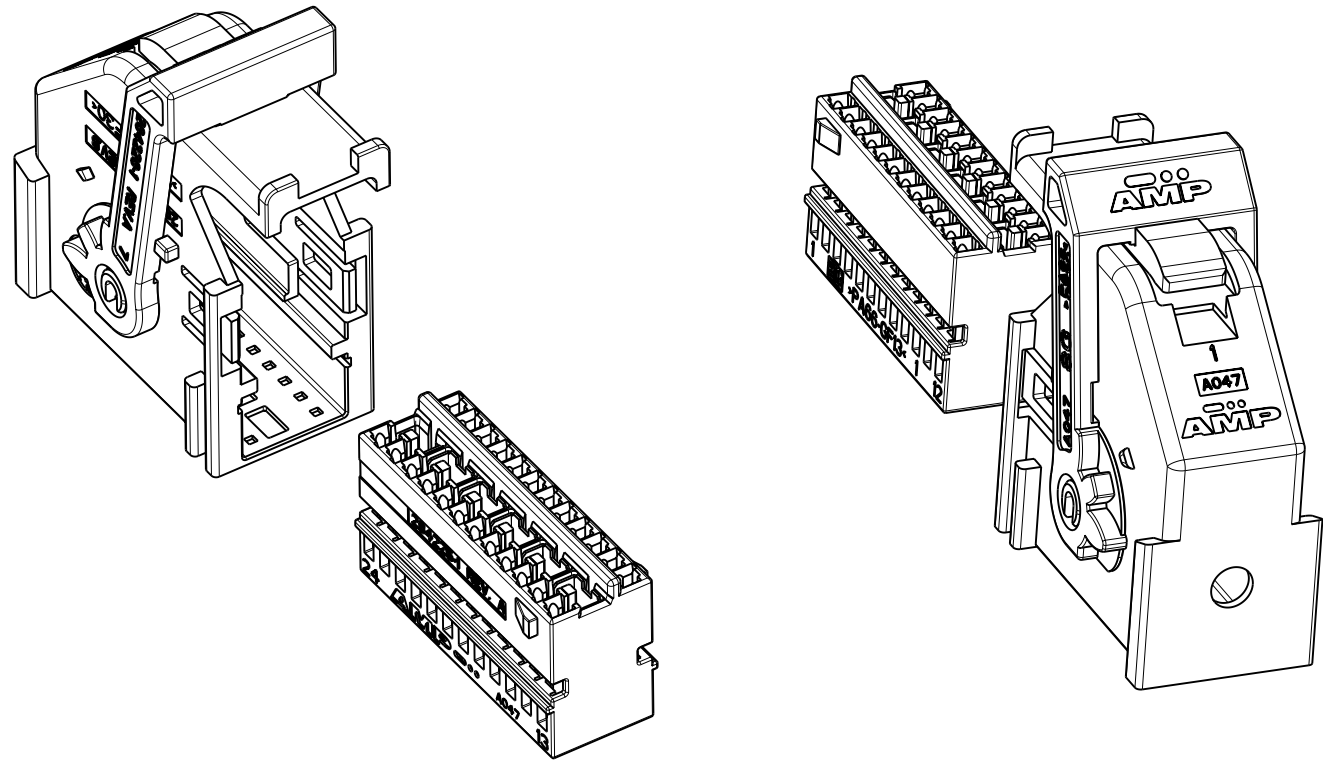


THIS DRAWING IS UNPUBLISHED. RELEASED FOR PUBLICATION 2011
 © COPYRIGHT 2011 Tyco Electronics AMP GmbH ALL RIGHTS RESERVED.

REVISIONS					
P	LTR	DESCRIPTION	DATE	DWN	APVD
B3		REVISED PER ECO-11-005033	29APR11	RK	HMR
B4		REVISED BY ECR-11-025559	21DEC2011	M.F.	M.G.



CAVITIES SUITABLE ONLY FOR FEMALE CONTACTS MQS P/N 144969-2
 CuNiSi + STAINLESS STEEL SPRING
 GOLD PLATED ON CONTACT AREA
 AND ON THE BACK OF THE SPRING
 WIRE RANGE 0.35-0.5 mm2

(CAVITA' ADATTE SOLO PER CONTATTI FEMMINA MQS P.N. 144969-2
 CuNiSi + MOLLA ACCIAIO INOX
 DORATURA SULLA ZONA DI CONTATTO E SUL DORSO DELLA MOLLA
 RANGO FILO 0.35-0.5 mm2)

P/N 284223-3 AS SHOWN
 FOR POLARIZATION DETAIL SEE SHEET 2
P/N 284223-3 COME MOSTRATO
 PER DETTAGLI POLARIZZAZIONE VEDERE FOGLIO 2

P/N 1-284223-3 AS SHOWN
 FOR POLARIZATION DETAIL SEE SHEET 2
P/N 1-284223-3 COME MOSTRATO
 PER DETTAGLI POLARIZZAZIONE VEDERE FOGLIO 2

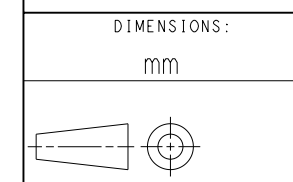
1) THE PRODUCT IS SUPPLIED WITH LEVER IN CLOSED POSITION
 (IL PRODOTTO VIENE FORNITO CON LA LEVA IN POSIZIONE CHIUSA)

2) P/Ns 1-284223-3, 1-284223-4, 1-284223-5, 1-284223-6 AND 1-284223-7
 DIFFER RESPECTIVELY FROM P/Ns
 284223-3, 284223-4, 284223-5, 284223-6 AND 284223-7
 ONLY FOR LEVER SHAPE
 FOR POLARIZATION DETAILS SEE FOLLOWING SHEETS

(1 P/N 1-284223-3, 1-284223-4, 1-284223-5, 1-284223-6 E 1-284223-7
 DIFFERISCONO RISPETTIVAMENTE DAI P/N
 284223-3, 284223-4, 284223-5, 284223-6 AND 284223-7
 SOLO PER LA FORMA DELLA LEVA
 PER DETTAGLI POLARIZZAZIONI VEDERE FOGLI SEGUENTI)

3) FOR PROPER MATING WITH PIN HEADER SEE INTRUCTION SHEET N. 411-20054
 (PER CORRETTO ACCOPPIAMENTO CON PIN HEADER VEDI FOGLIO ISTRUZIONI N. 411-20054)

THIS DRAWING IS A CONTROLLED DOCUMENT.



MATERIAL: -
 FINISH: -

DIMENSIONS: mm
 TOLERANCES UNLESS OTHERWISE SPECIFIED:
 0 PLC ±0.3
 1 PLC ±0.2
 2 PLC ±0.2
 3 PLC ±
 4 PLC ±
 ANGLES ±
 FINISH ±

DWN	P. CASSANDRIN	30NOV98
CHK	A. GENTA	30NOV98
APVD	A. BRUNI	30NOV98
PRODUCT SPEC	108-20202	
APPLICATION SPEC	I.S. 411-20054	
WEIGHT	-	
CUSTOMER DRAWING	-	

STE TE Connectivity

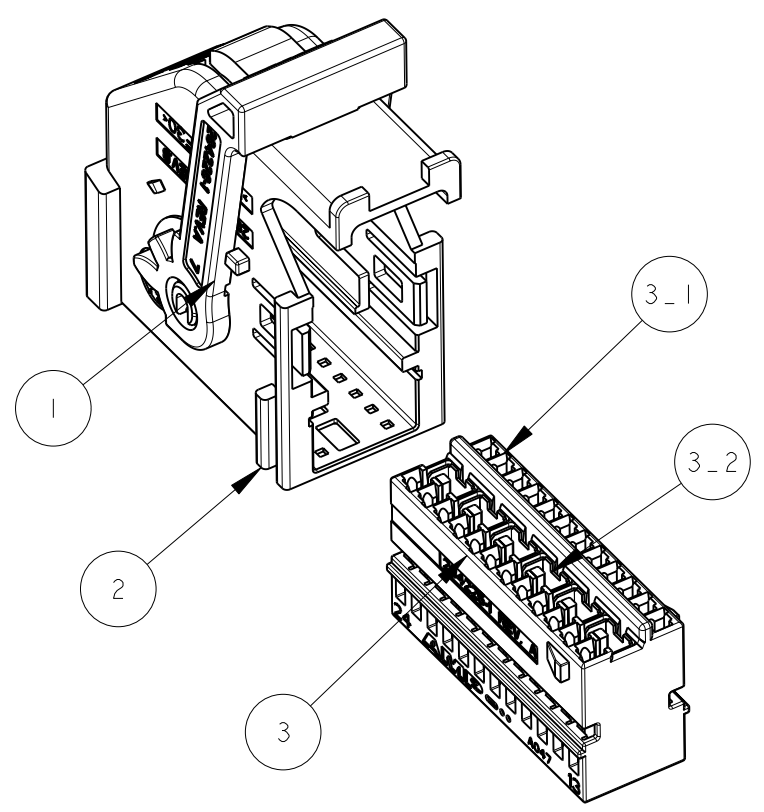
NAME: 24 POSITIONS AIRBAG CONNECTOR KIT ASS'Y

SIZE	CAGE CODE	DRAWING NO	RESTRICTED TO
A2	b0779	C-284223	-

SCALE 3:2 SHEET 1 OF 6 REV B4

THIS DRAWING IS UNPUBLISHED. RELEASED FOR PUBLICATION 2011
 © COPYRIGHT 2011 Tyco Electronics AMP GmbH ALL RIGHTS RESERVED.

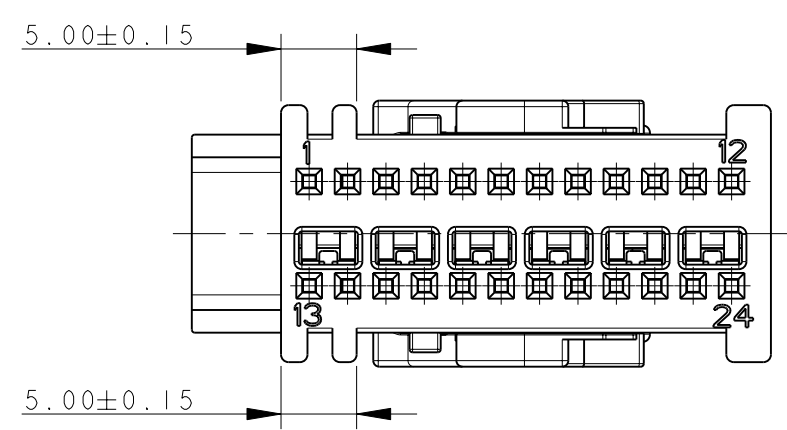
LOC	DIST	REVISIONS			
P	LTR	DESCRIPTION	DATE	DWN	APVD
-	-	SEE SHEET 1	-	-	-



ITEM VOCE	DESCRIPTIONE	MATERIALE	Q.TY Q.TA'
1	LEVER LEVA	PA 66 GF30 COLOR GREEN COLORE VERDE	1
2	COVER CORAZZA	PA 66 GF30 COLOR GRAY COLORE GRIGIO	1
3	RECEPTACLE CONN. ASSEMBLY ASSEMB. BLOCCHETTO PORTA FEMMINE	SEE TABLE BELOW VEDI TAVOLA SOTTO	1

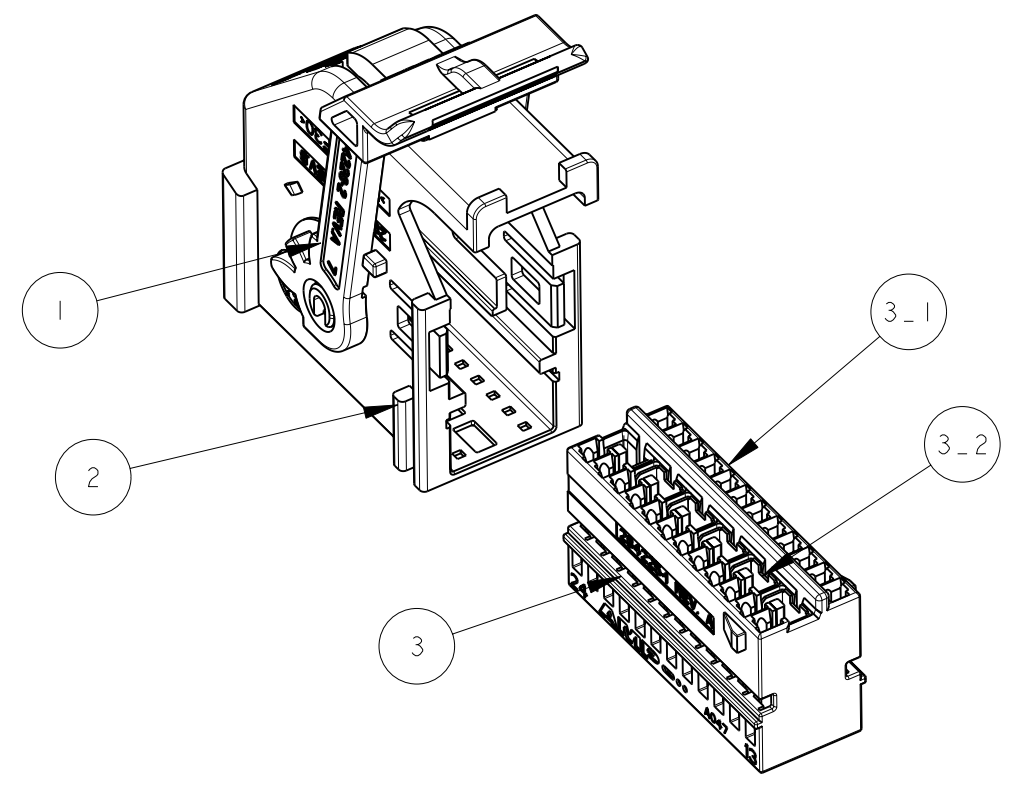
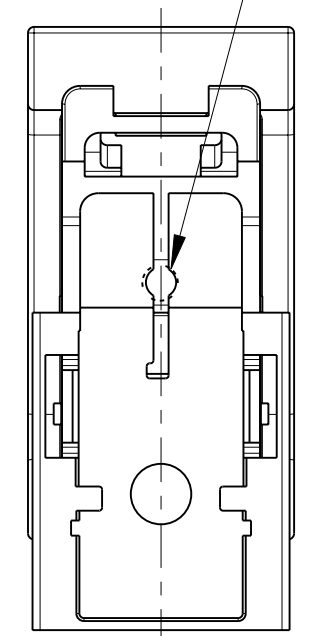
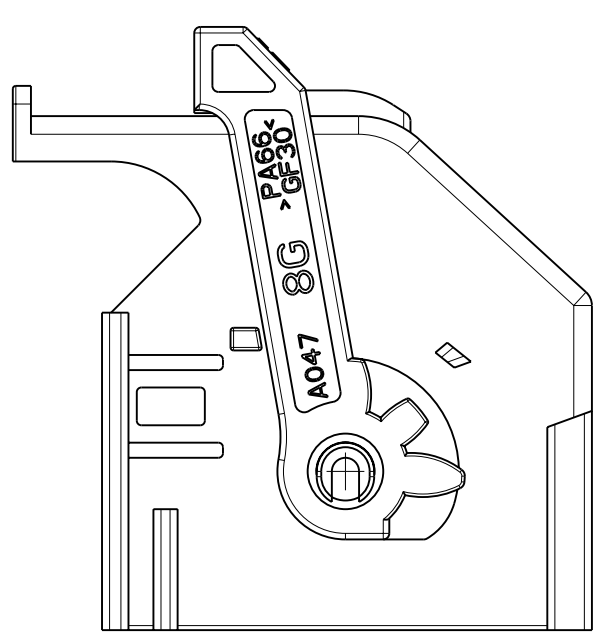
ITEM VOCE	SUB-ITEM SOTTO VOCE	DESCRIPTIONE	MATERIALE	Q.TY Q.TA'
3	3-1	HOUSING BLOCCHETTO	PA 66 GF13 COLOR GRAY COLORE GRIGIO	1
	3-2	SHORT CIRCUIT SPRING MOLLA DI CORTO CIRCUITO	STAINLESS STEEL ACCIAIO INOX	6

SCALE 3:2



P/N 284223-3

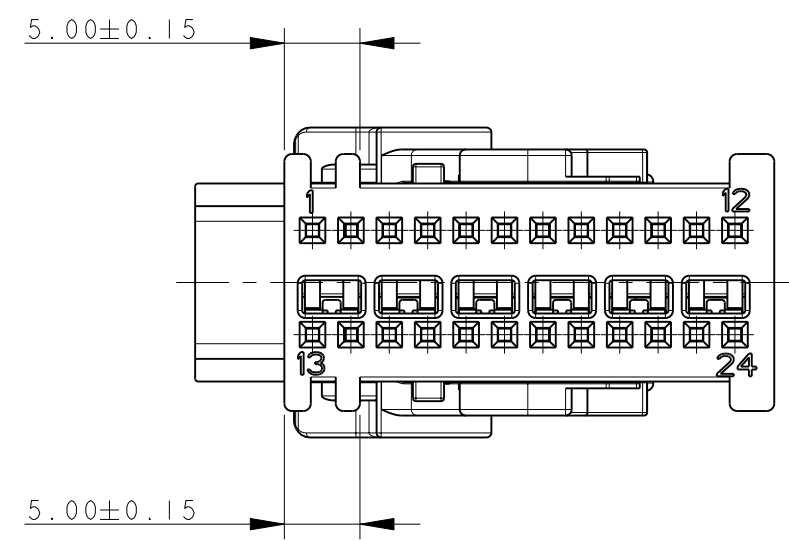
OPTIONAL AREA FOR MOLD EXTRACTORS



ITEM VOCE	DESCRIPTIONE	MATERIALE	Q.TY Q.TA'
1	LEVER LEVA	PA 66 GF30 COLOR GREEN COLORE VERDE	1
2	COVER CORAZZA	PA 66 GF30 COLOR GRAY COLORE GRIGIO	1
3	RECEPTACLE CONN. ASSEMBLY ASSEMB. BLOCCHETTO PORTA FEMMINE	SEE TABLE BELOW VEDI TAVOLA SOTTO	1

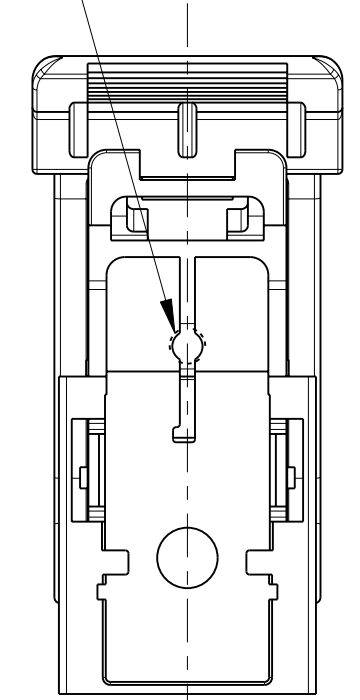
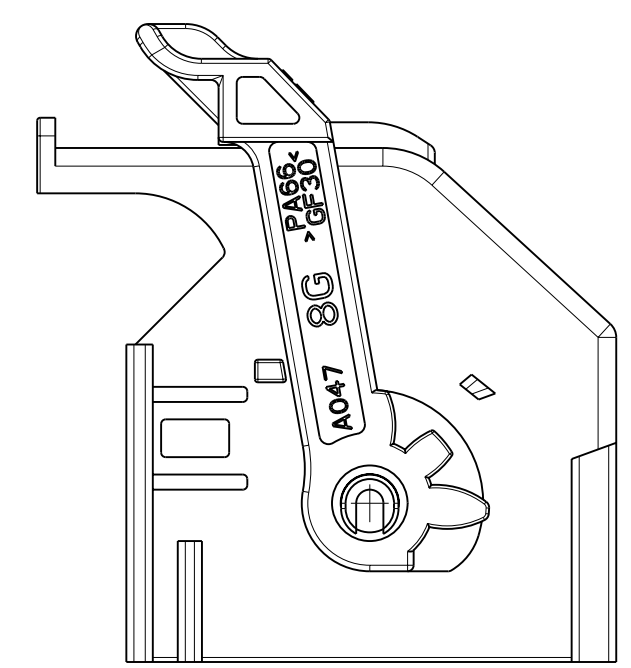
ITEM VOCE	SUB-ITEM SOTTO VOCE	DESCRIPTIONE	MATERIALE	Q.TY Q.TA'
3	3-1	HOUSING BLOCCHETTO	PA 66 GF13 COLOR GRAY COLORE GRIGIO	1
	3-2	SHORT CIRCUIT SPRING MOLLA DI CORTO CIRCUITO	STAINLESS STEEL ACCIAIO INOX	6

SCALE 3:2



P/N 1-284223-3

OPTIONAL AREA FOR MOLD EXTRACTORS



P/N 284223-3 AND 1-284223-3 KIT ASS'Y AS SHOWN
 P/N 284223-3 E 1-284223-3 KIT COME MOSTRATO

SUITABLE FOR MATING WITH:
 953621 PIN HEADER 24 + 24 POS. -CODE TYPE B-
 1379046 PIN HEADER 24 + 32 POS. -CODE TYPE B-
 1355737 PIN HEADER 24 + 32 POS. -KEY GEOMETRY AB_Ab-

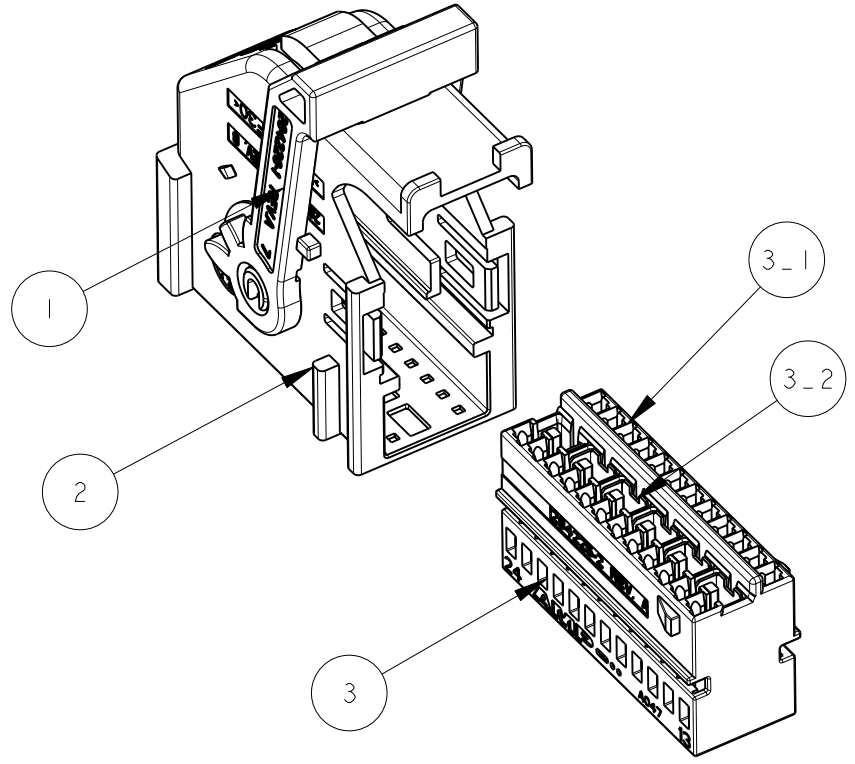
(ADATTI PER ACCOPPIAMENTO CON:
 953621 PIN HEADER 24 + 24 POS. -CODICE TIPO B-
 1379046 PIN HEADER 24 + 32 POS. -CODICE TIPO B-
 1355737 PIN HEADER 24 + 32 POS. -POLARIZZAZIONE GEOMETRICA AB_Ab-)

FOR MISSING DIMENSIONS AND NOTES SEE SHEET 1
 (PER LE DIMENSIONI MANCANTI E LE NOTE VEDERE FOGLIO 1)

THIS DRAWING IS A CONTROLLED DOCUMENT.		DWN P. CASSANDRIN 30NOV98	 TE Connectivity	NAME 24 POSITIONS AIRBAG CONNECTOR KIT ASS'Y	
DIMENSIONS: mm		CHK A. GENTA 30NOV98		SIZE	
TOLERANCES UNLESS OTHERWISE SPECIFIED:		APVD A. BRUNI 30NOV98		CAGE CODE	
0 PLC ±0.3		PRODUCT SPEC 108-20202		DRAWING NO	
1 PLC ±0.2		APPLICATION SPEC I.S. 411-20054	RESTRICTED TO		
2 PLC ±0.2		WEIGHT -	A260779		
3 PLC ±		CUSTOMER DRAWING	C-284223		
4 PLC ±		SCALE 2:1	SHEET 2 OF 6		
ANGLES ±		REV B4			
FINISH					

THIS DRAWING IS UNPUBLISHED. RELEASED FOR PUBLICATION 2011
 © COPYRIGHT 2011 Tyco Electronics AMP GmbH ALL RIGHTS RESERVED.

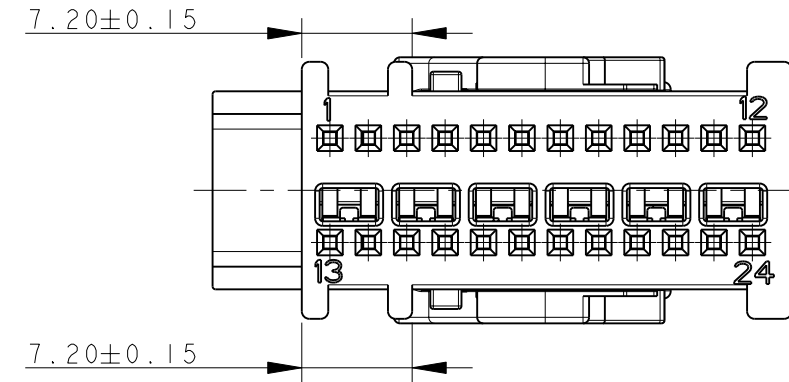
LOC	DIST	REVISIONS			
P	LTR	DESCRIPTION	DATE	DWN	APVD
-	-	SEE SHEET 1	-	-	-



ITEM VOCE	DESCRIPTIONE DESCRIZIONE	MATERIALE MATERIALE	Q.TY Q.TA'
1	LEVER LEVA	PA 66 GF30 COLOR GREEN COLORE VERDE	1
2	COVER CORAZZA	PA 66 GF30 COLOR BLACK COLORE NERO	1
3	RECEPTACLE CONN. ASSEMBLY ASSEM. BLOCCHETTO PORTA FEMMINE	SEE TABLE BELOW VEDI TAVOLA SOTTO	1

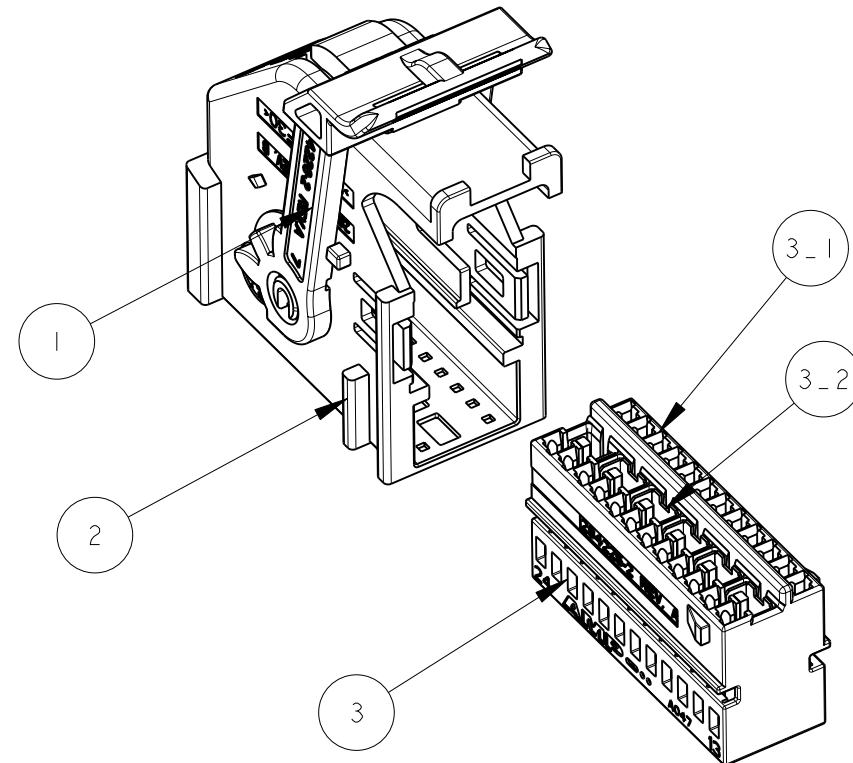
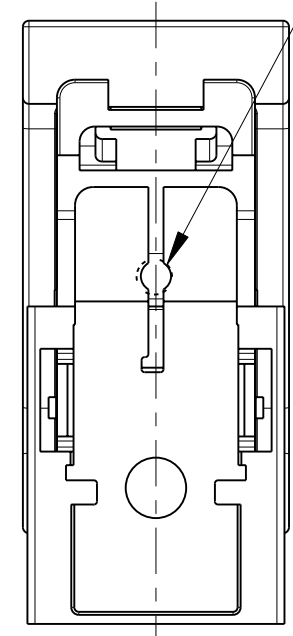
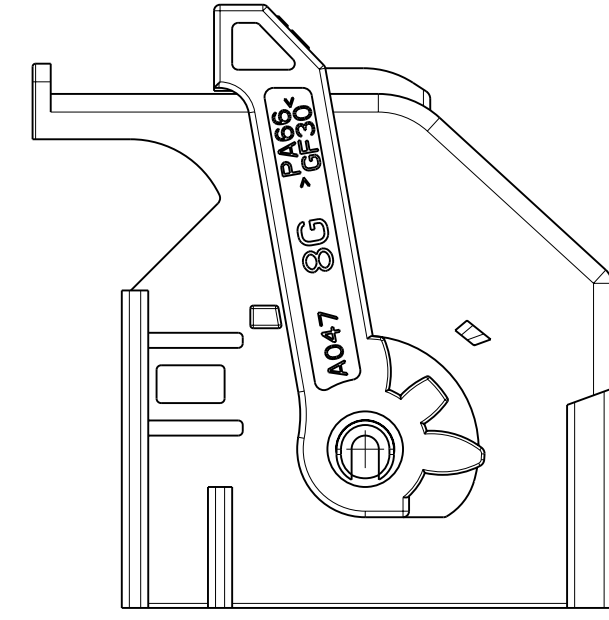
ITEM VOCE	SUB-ITEM SOTTO VOCE	DESCRIPTIONE DESCRIZIONE	MATERIALE MATERIALE	Q.TY Q.TA'
3	3-1	HOUSING BLOCCHETTO	PA 66 GF13 COLOR BLACK COLORE NERO	1
	3-2	SHORT CIRCUIT SPRING MOLLA DI CORTO CIRCUITO	STAINLESS STEEL ACCIAIO INOX	6

SCALE 3:2



P/N 284223-4

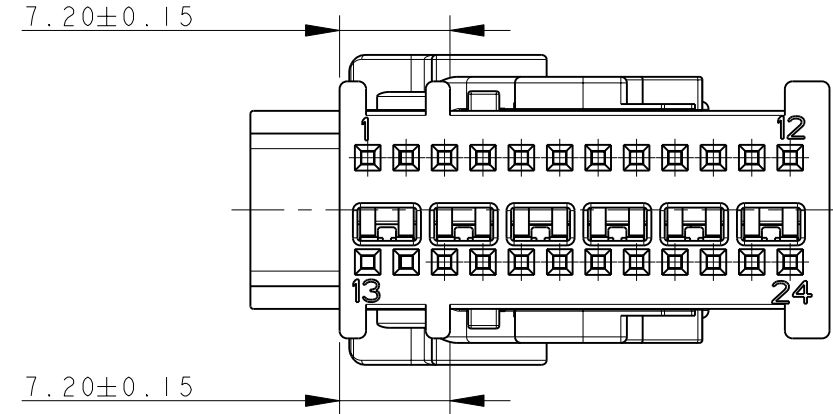
OPTIONAL AREA FOR MOLD EXTRACTORS



ITEM VOCE	DESCRIPTIONE DESCRIZIONE	MATERIALE MATERIALE	Q.TY Q.TA'
1	LEVER LEVA	PA 66 GF30 COLOR GREEN COLORE VERDE	1
2	COVER CORAZZA	PA 66 GF30 COLOR BLACK COLORE NERO	1
3	RECEPTACLE CONN. ASSEMBLY ASSEM. BLOCCHETTO PORTA FEMMINE	SEE TABLE BELOW VEDI TAVOLA SOTTO	1

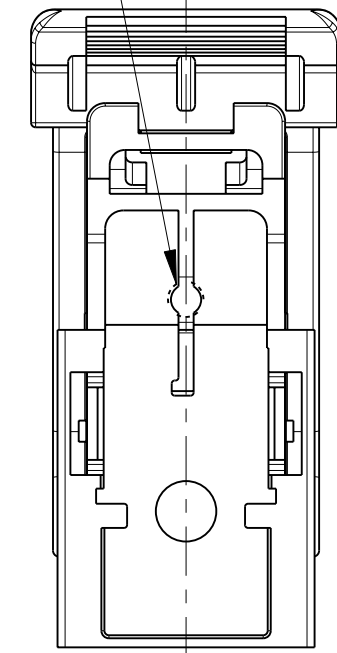
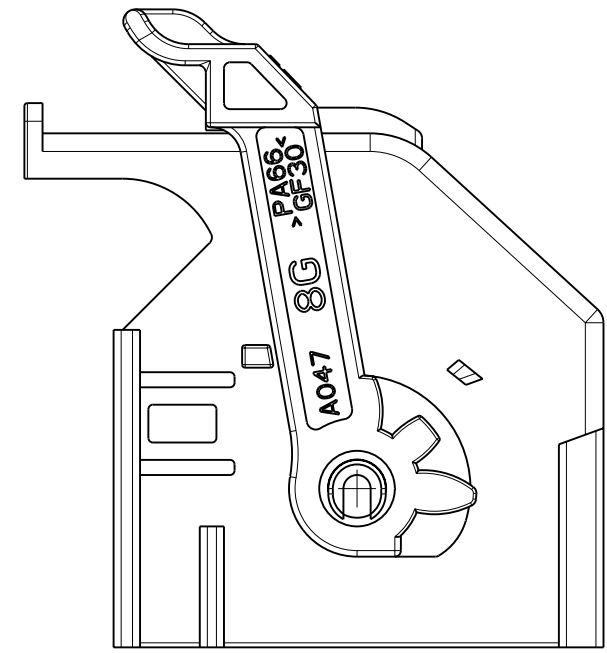
ITEM VOCE	SUB-ITEM SOTTO VOCE	DESCRIPTIONE DESCRIZIONE	MATERIALE MATERIALE	Q.TY Q.TA'
3	3-1	HOUSING BLOCCHETTO	PA 66 GF13 COLOR BLACK COLORE NERO	1
	3-2	SHORT CIRCUIT SPRING MOLLA DI CORTO CIRCUITO	STAINLESS STEEL ACCIAIO INOX	6

SCALE 3:2



P/N 1-284223-4

OPTIONAL AREA FOR MOLD EXTRACTORS



P/N 284223-4 AND 1-284223-4 KIT ASS'Y AS SHOWN
 P/N 284223-4 E 1-284223-4 KIT COME MOSTRATO

SUITABLE FOR MATING WITH:
 953621 PIN HEADER 24 + 24 POS. -CODE TYPE A-
 1379046 PIN HEADER 24 + 32 POS. -CODE TYPE A-
 1355737 PIN HEADER 24 + 32 POS. -KEY GEOMETRY AA_Aa-

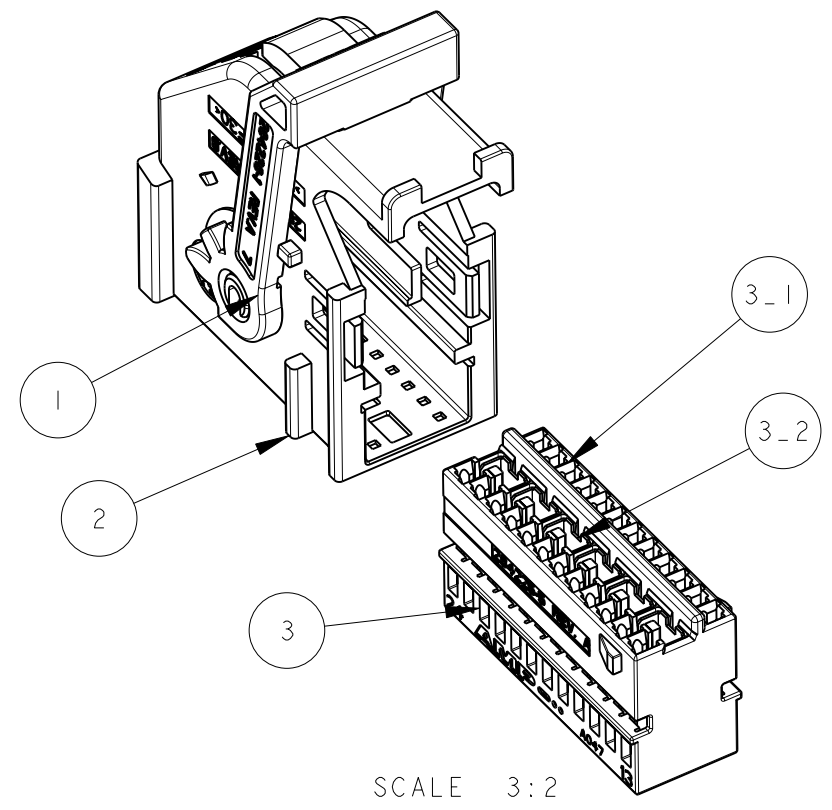
(ADATTI PER ACCOPPIAMENTO CON:
 953621 PIN HEADER 24 + 24 POS. -CODICE TIPO A-
 1379046 PIN HEADER 24 + 32 POS. -CODICE TIPO A-
 1355737 PIN HEADER 24 + 32 POS. -POLARIZZAZIONE GEOMETRICA AA_Aa-)

FOR MISSING DIMENSIONS AND NOTES SEE SHEET 1
 (PER LE DIMENSIONI MANCANTI E LE NOTE VEDERE FOGLIO 1)

THIS DRAWING IS A CONTROLLED DOCUMENT.		DWN P. CASSANDRIN 30NOV98	TE Connectivity	
		CHK A. GENTA 30NOV98		
		APVD A. BRUNI 30NOV98	NAME 24 POSITIONS AIRBAG CONNECTOR KIT ASS'Y	
DIMENSIONS: mm		PRODUCT SPEC 108-20202	SIZE CAGE CODE DRAWING NO	
TOLERANCES UNLESS OTHERWISE SPECIFIED:		APPLICATION SPEC I.S. 411-20054	RESTRICTED TO	
MATERIAL FINISH		WEIGHT -	A200779C-284223	
		CUSTOMER DRAWING	SCALE 2:1 SHEET 3 OF 6 REV B4	

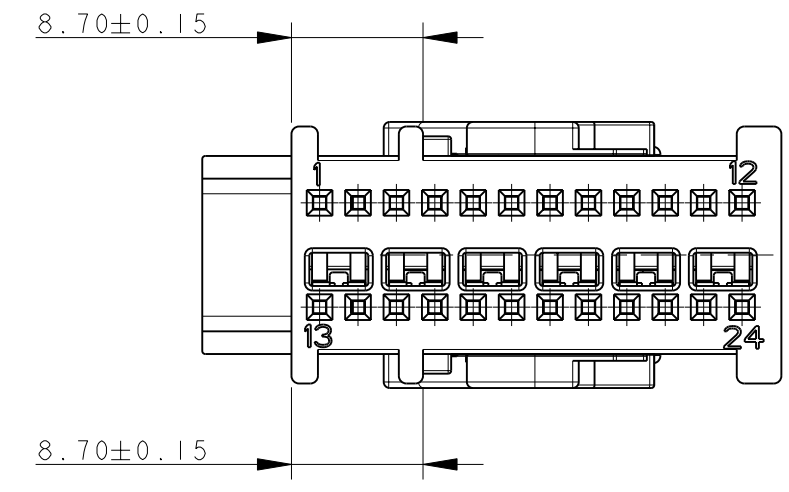
THIS DRAWING IS UNPUBLISHED. RELEASED FOR PUBLICATION 2011
 © COPYRIGHT 2011 Tyco Electronics AMP GmbH ALL RIGHTS RESERVED.

LOC	DIST	REVISIONS			
P	LTR	DESCRIPTION	DATE	DWN	APVD
-	-	SEE SHEET 1	-	-	-



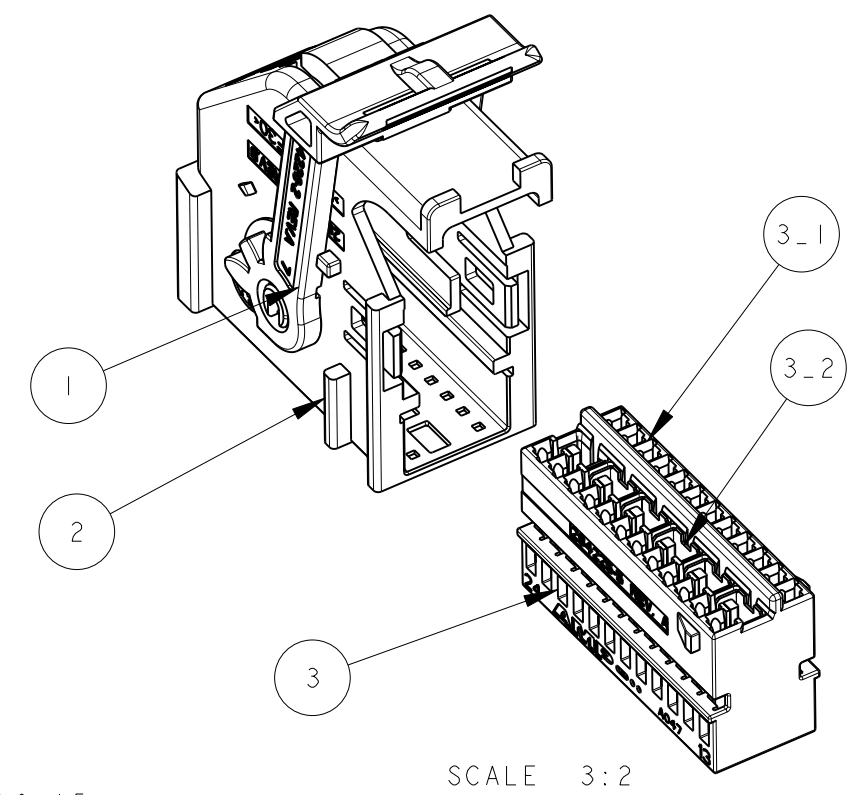
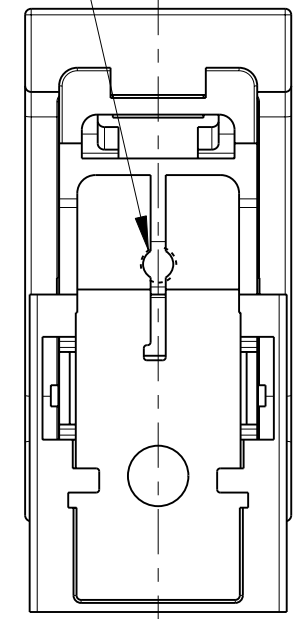
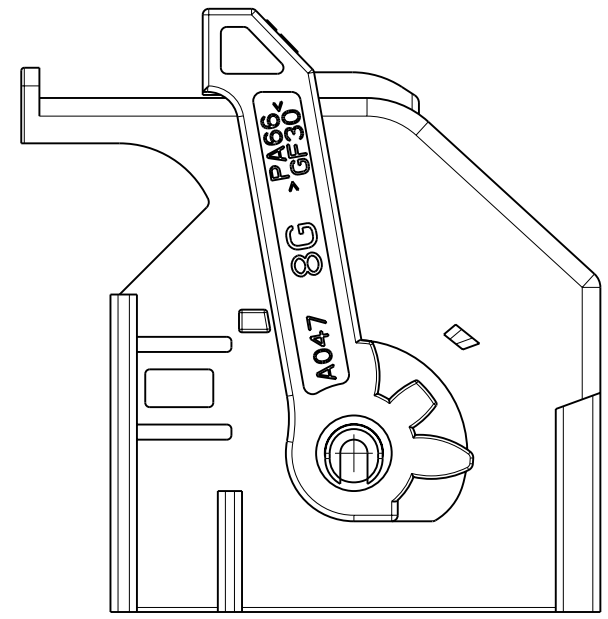
ITEM VOCE	DESCRIPTION DESCRIZIONE	MATERIAL MATERIALE	Q. TY Q. TA'
1	LEVER LEVA	PA 66 GF30 COLOR GREEN COLORE VERDE	1
2	COVER CORAZZA	PA 66 GF30 COLOR BROWN COLORE MARRONE	1
3	RECEPTACLE CONN. ASSEMBLY ASSEM. BLOCCHETTO PORTA FEMMINE	SEE TABLE BELOW VEDI TAVOLA SOTTO	1

ITEM VOCE	SUB-ITEM SOTTO VOCE	DESCRIPTION DESCRIZIONE	MATERIAL MATERIALE	Q. TY Q. TA'
3	3-1	HOUSING BLOCCHETTO	PA 66 GF13 COLOR BROWN COLORE MARRONE	1
	3-2	SHORT CIRCUIT SPRING MOLLA DI CORTO CIRCUITO	STAINLESS STEEL ACCIAIO INOX	6



P/N 284223-5

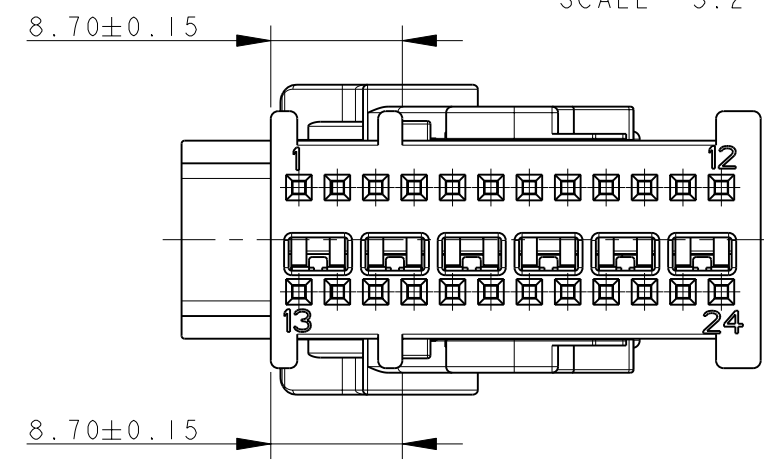
OPTIONAL AREA FOR MOLD EXTRACTORS



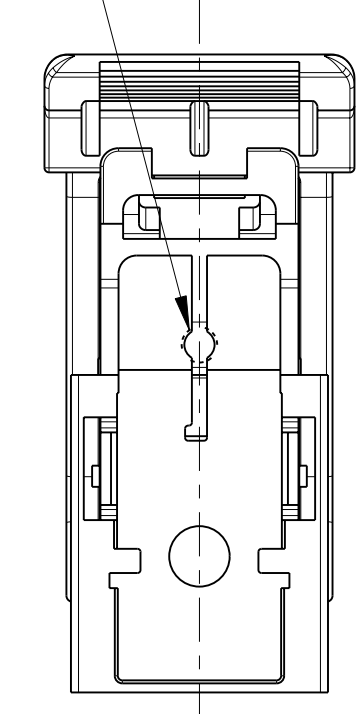
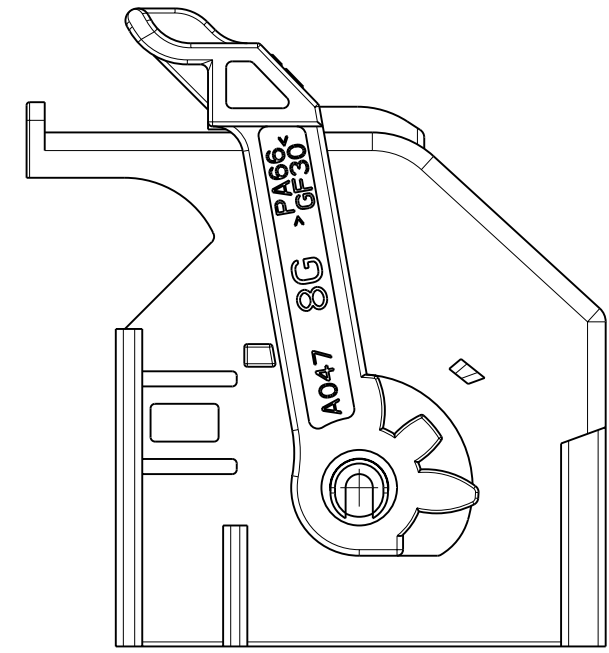
ITEM VOCE	DESCRIPTION DESCRIZIONE	MATERIAL MATERIALE	Q. TY Q. TA'
1	LEVER LEVA	PA 66 GF30 COLOR GREEN COLORE VERDE	1
2	COVER CORAZZA	PA 66 GF30 COLOR BROWN COLORE MARRONE	1
3	RECEPTACLE CONN. ASSEMBLY ASSEM. BLOCCHETTO PORTA FEMMINE	SEE TABLE BELOW VEDI TAVOLA SOTTO	1

ITEM VOCE	SUB-ITEM SOTTO VOCE	DESCRIPTION DESCRIZIONE	MATERIAL MATERIALE	Q. TY Q. TA'
3	3-1	HOUSING BLOCCHETTO	PA 66 GF13 COLOR BROWN COLORE MARRONE	1
	3-2	SHORT CIRCUIT SPRING MOLLA DI CORTO CIRCUITO	STAINLESS STEEL ACCIAIO INOX	6

P/N 1-284223-5



OPTIONAL AREA FOR MOLD EXTRACTORS



P/N 284223-5 AND 1-284223-5 KIT ASS'Y AS SHOWN
P/N 284223-5 E 1-284223-5 KIT COME MOSTRATO

SUITABLE FOR MATING WITH:
 953621 PIN HEADER 24 + 24 POS. -CODE TYPE C-
 1379046 PIN HEADER 24 + 32 POS. -CODE TYPE C-
 1355737 PIN HEADER 24 + 32 POS. -KEY GEOMETRY AC_Ac-

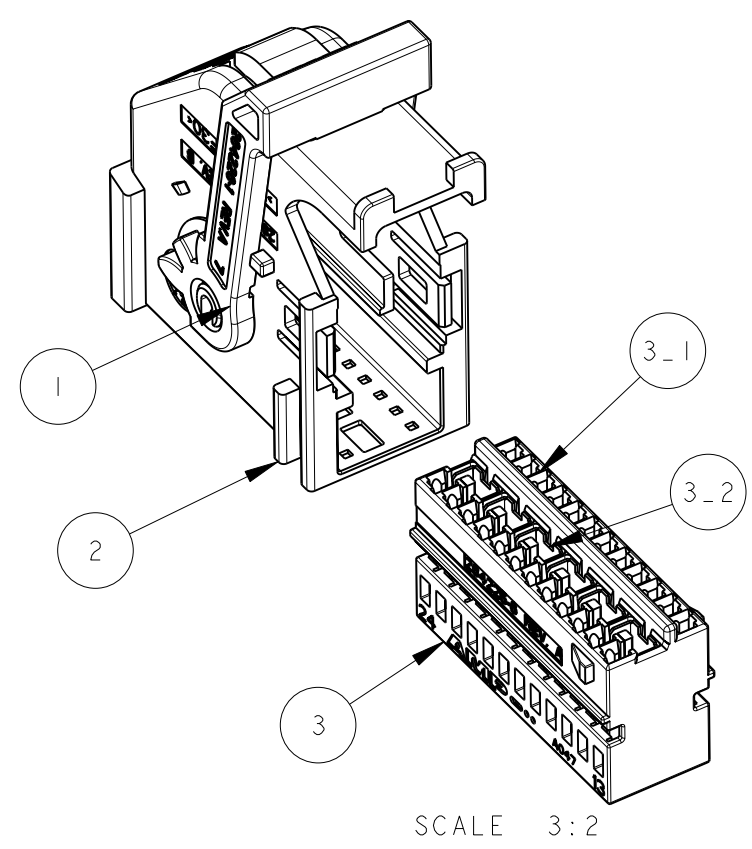
(ADATTI PER ACCOPPIAMENTO CON
 953621 PIN HEADER 24 + 24 POS. -CODICE TIPO C-
 1379046 PIN HEADER 24 + 32 POS. -CODICE TIPO C-
 1355737 PIN HEADER 24 + 32 POS. -POLARIZZAZIONE GEOMETRICA AC_Ac-)

FOR MISSING DIMENSIONS AND NOTES SEE SHEET 1
 (PER LE DIMENSIONI MANCANTI E LE NOTE VEDERE FOGLIO 1)

THIS DRAWING IS A CONTROLLED DOCUMENT.		DWN P. CASSANDRIN 30NOV98	 TE Connectivity	NAME 24 POSITIONS AIRBAG CONNECTOR KIT ASS'Y
DIMENSIONS: mm		CHK A. GENTA 30NOV98		
TOLERANCES UNLESS OTHERWISE SPECIFIED:		APVD A. BRUNI 30NOV98		
0 PLC ±0.3 1 PLC ±0.2 2 PLC ±0.2 3 PLC ± 4 PLC ± ANGLES ±		PRODUCT SPEC 108-20202		
MATERIAL		APPLICATION SPEC I.S. 411-20054	SIZE	CAGE CODE A260779
		WEIGHT	DRAWING NO C-284223	RESTRICTED TO
		CUSTOMER DRAWING	SCALE 2:1	SHEET 4 OF 6 REV B4

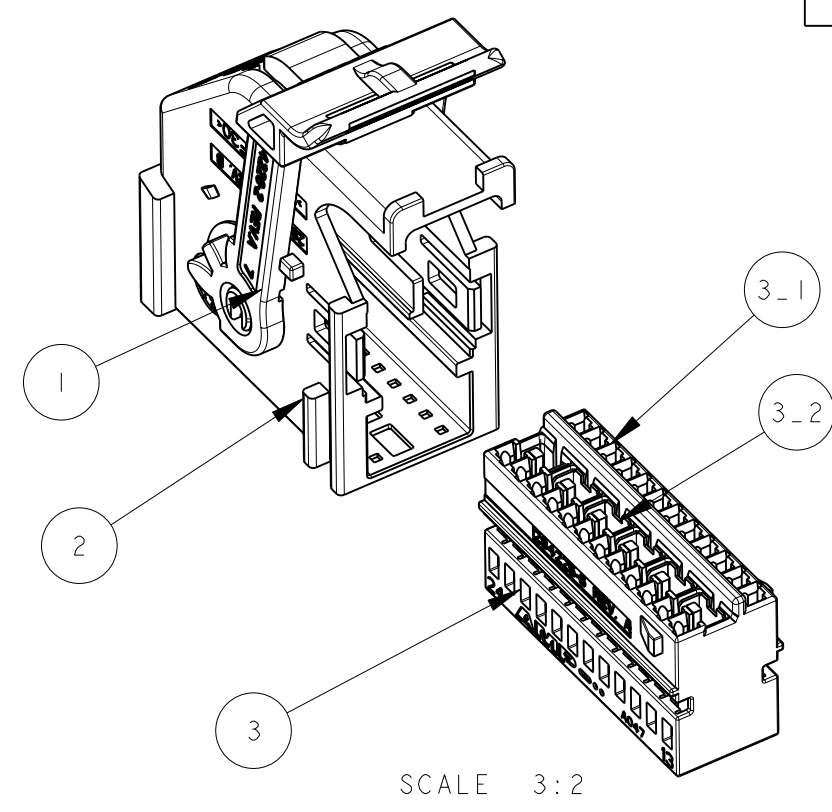
THIS DRAWING IS UNPUBLISHED. RELEASED FOR PUBLICATION 2011
 © COPYRIGHT 2011 Tyco Electronics AMP GmbH ALL RIGHTS RESERVED.

LOC	DIST	REVISIONS			
P	LTR	DESCRIPTION	DATE	DWN	APVD
-	-	SEE SHEET 1	-	-	-

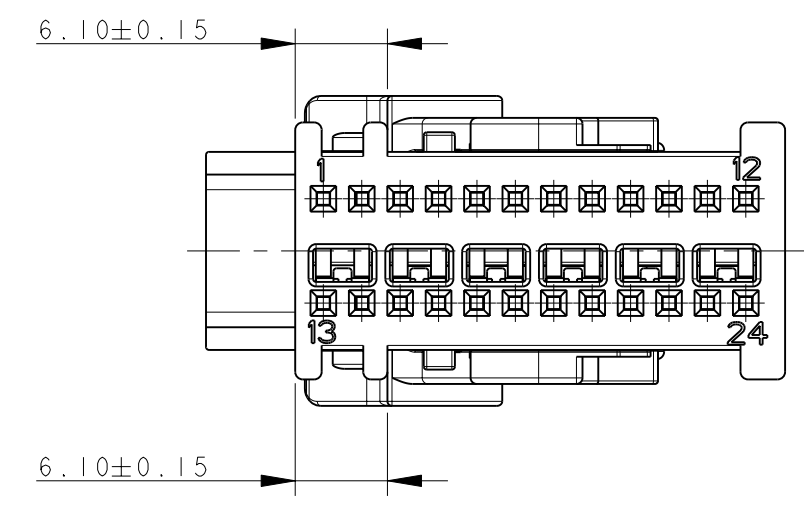


ITEM VOCE	DESCRIPTION DESCRIZIONE	MATERIAL MATERIALE	Q.TY Q.TA'
1	LEVER LEVA	PA 66 GF30 COLOR GREEN COLORE VERDE	1
2	COVER CORAZZA	PA 66 GF30 COLOR BLUE COLORE BLU	1
3	RECEPTACLE CONN. ASSEMBLY ASSEM. BLOCCHETTO PORTA FEMMINE	SEE TABLE BELOW VEDI TAVOLA SOTTO	1

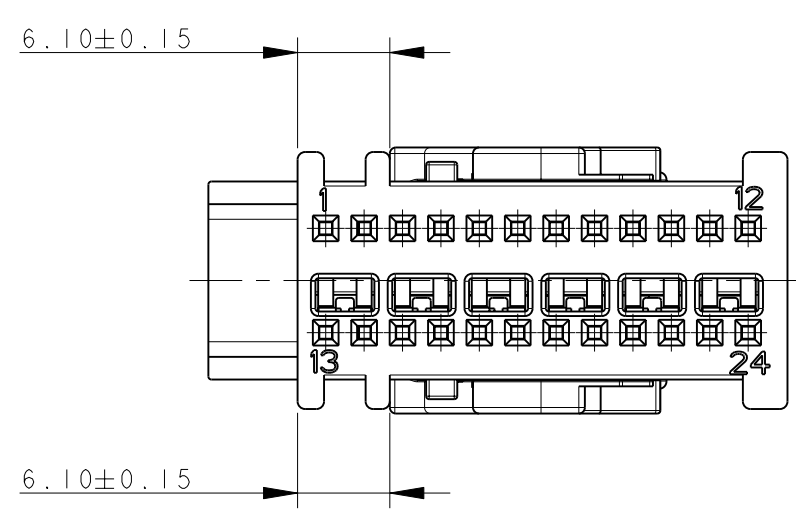
ITEM VOCE	SUB-ITEM SOTTO VOCE	DESCRIPTION DESCRIZIONE	MATERIAL MATERIALE	Q.TY Q.TA'
3	3-1	HOUSING BLOCCHETTO	PA 66 GF13 COLOR BLUE COLORE BLU	1
	3-2	SHORT CIRCUIT SPRING MOLLA DI CORTO CIRCUITO	STAINLESS STEEL ACCIAIO INOX	6



ITEM VOCE	DESCRIPTION DESCRIZIONE	MATERIAL MATERIALE	Q.TY Q.TA'
1	LEVER LEVA	PA 66 GF30 COLOR GREEN COLORE VERDE	1
2	COVER CORAZZA	PA 66 GF30 COLOR BLUE COLORE BLU	1
3	RECEPTACLE CONN. ASSEMBLY ASSEM. BLOCCHETTO PORTA FEMMINE	SEE TABLE BELOW VEDI TAVOLA SOTTO	1

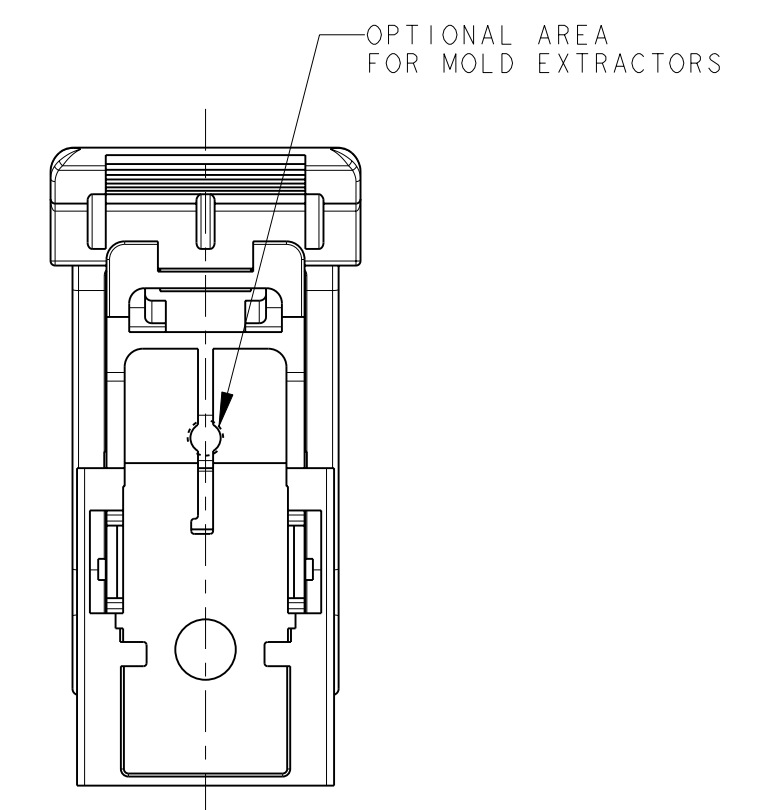
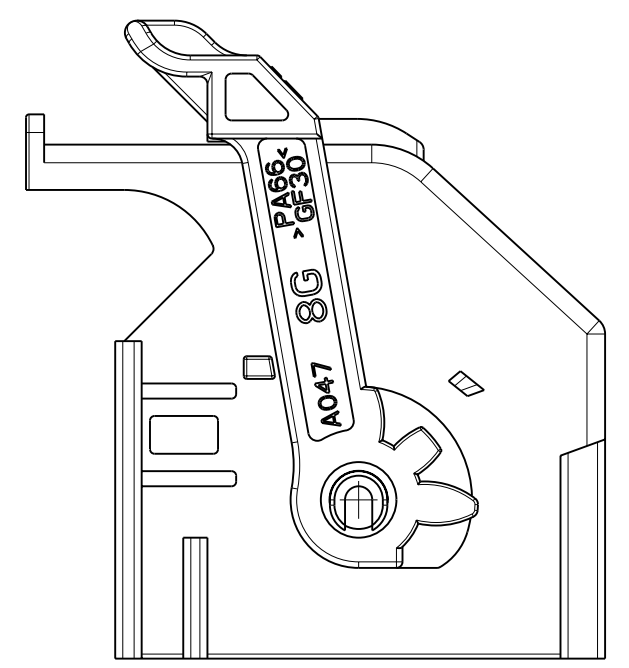
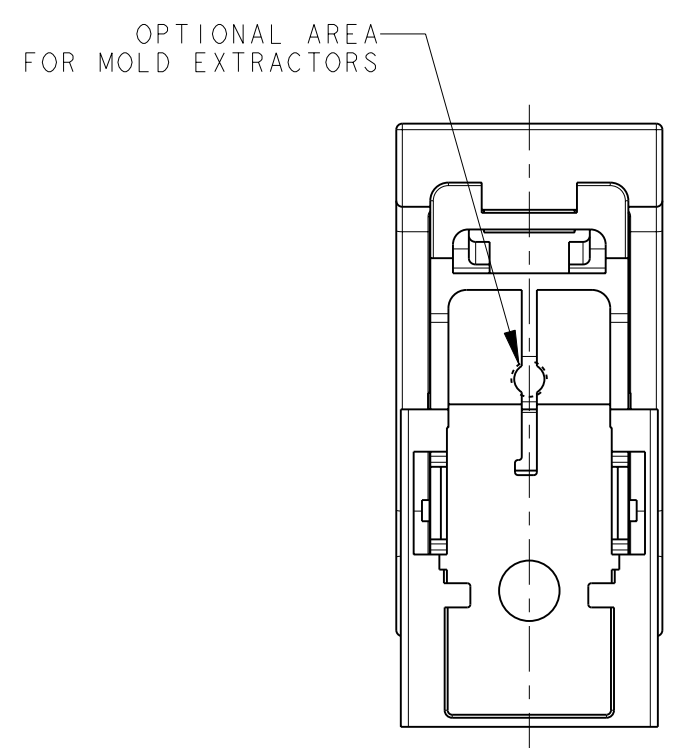
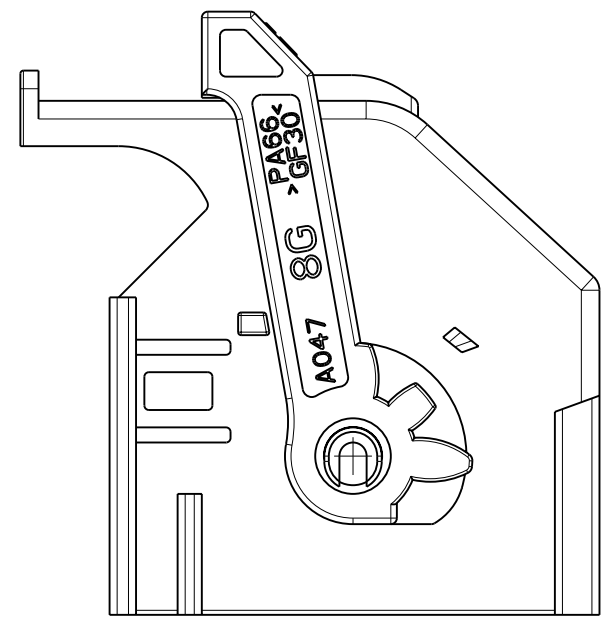


ITEM VOCE	SUB-ITEM SOTTO VOCE	DESCRIPTION DESCRIZIONE	MATERIAL MATERIALE	Q.TY Q.TA'
3	3-1	HOUSING BLOCCHETTO	PA 66 GF13 COLOR BLUE COLORE BLU	1
	3-2	SHORT CIRCUIT SPRING MOLLA DI CORTO CIRCUITO	STAINLESS STEEL ACCIAIO INOX	6



P/N 284223-6

P/N 1-284223-6



P/N 284223-6 AND 1-284223-6 KIT ASS'Y AS SHOWN
P/N 284223-6 E 1-284223-6 KIT COME MOSTRATO

SUITABLE FOR MATING WITH:
 953621 PIN HEADER 24 + 24 POS. -CODE TYPE D-
 1379046 PIN HEADER 24 + 32 POS. -CODE TYPE D-
 1355737 PIN HEADER 24 + 32 POS. -KEY GEOMETRY AD_Ad-

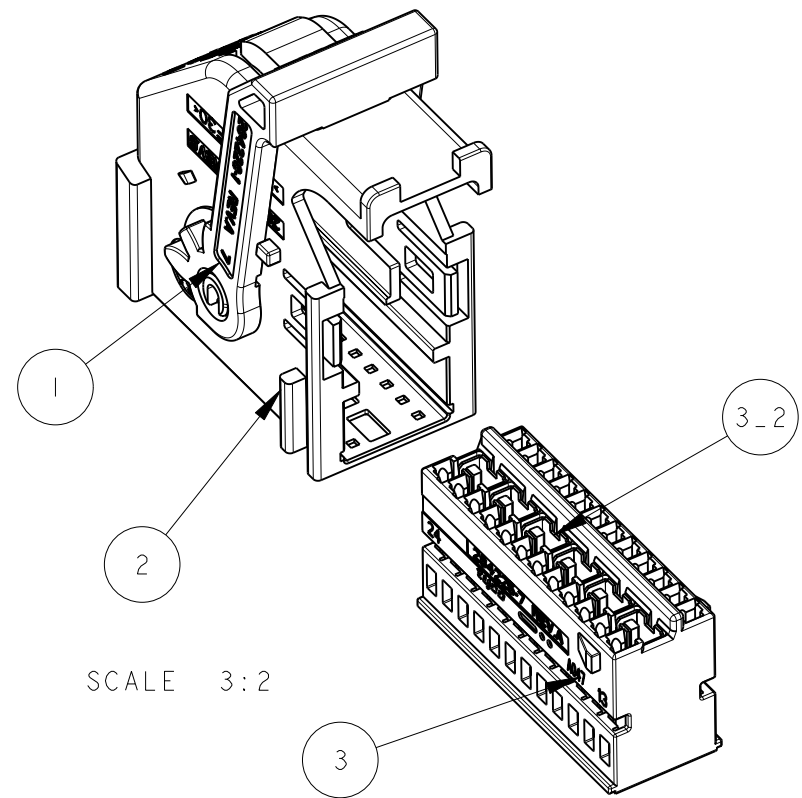
(ADATTI PER ACCOPPIAMENTO CON:
 953621 PIN HEADER 24 + 24 POS. -CODICE TIPO D-
 1379046 PIN HEADER 24 + 32 POS. -CODICE TIPO D-
 1355737 PIN HEADER 24 + 32 POS. -POLARIZZAZIONE GEOMETRICA AD_Ad-)

FOR MISSING DIMENSIONS AND NOTES SEE SHEET 1
 (PER LE DIMENSIONI MANCANTI E LE NOTE VEDERE FOGLIO 1)

THIS DRAWING IS A CONTROLLED DOCUMENT.		DWN P. CASSANDRIN 30NOV98	STE TE Connectivity	
DIMENSIONS: mm		CHK A. GENTA 30NOV98		
TOLERANCES UNLESS OTHERWISE SPECIFIED:		APVD A. BRUNI 30NOV98	NAME 24 POSITIONS AIRBAG CONNECTOR KIT ASS'Y	
0 PLC ±0.3		PRODUCT SPEC 108-20202	SIZE CAGE CODE DRAWING NO RESTRICTED TO	
1 PLC ±0.2		APPLICATION SPEC I.S. 411-20054	A20779 C-284223	
2 PLC ±0.2		WEIGHT -	SCALE 2:1 SHEET 5 OF 6 REV B4	
3 PLC ±		CUSTOMER DRAWING		
4 PLC ±				
ANGLES ±				
FINISH				

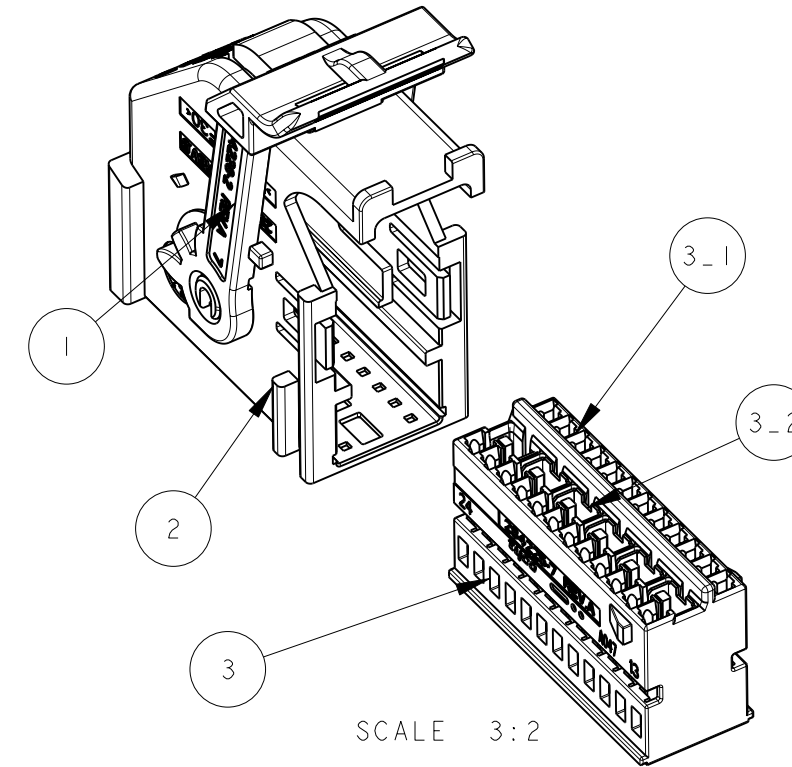
THIS DRAWING IS UNPUBLISHED. RELEASED FOR PUBLICATION 2011
 © COPYRIGHT 2011 Tyco Electronics AMP GmbH ALL RIGHTS RESERVED.

LOC	DIST	REVISIONS			
P	LTR	DESCRIPTION	DATE	DWN	APVD
-	-	SEE SHEET 1	-	-	-



ITEM VOCE	DESCRIPTION DESCRIZIONE	MATERIAL MATERIALE	Q.TY Q.TA'
1	LEVER LEVA	PA 66 GF30 COLOR GREEN COLORE VERDE	1
2	COVER CORAZZA	PA 66 GF30 COLOR WHITE COLORE BIANCO	1
3	RECEPTACLE CONN. ASSEMBLY ASSEM. BLOCCHETTO PORTA FEMMINE	SEE TABLE BELOW VEDI TAVOLA SOTTO	1

ITEM VOCE	SUB-ITEM SOTTO VOCE	DESCRIPTION DESCRIZIONE	MATERIAL MATERIALE	Q.TY Q.TA'
3	3-1	HOUSING BLOCCHETTO	PA 66 GF13 COLOR WHITE COLORE BIANCO	1
	3-2	SHORT CIRCUIT SPRING MOLLA DI CORTO CIRCUITO	STAINLESS STEEL ACCIAIO INOX	6

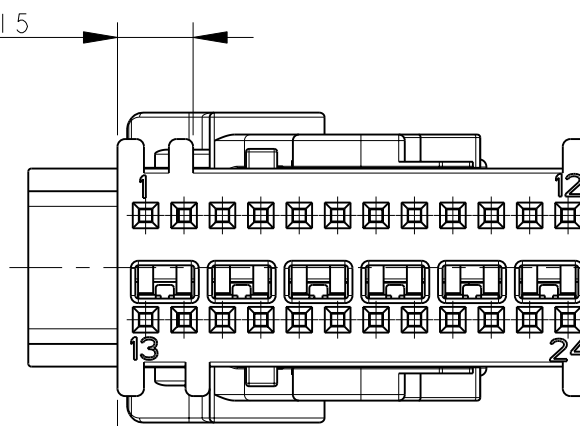
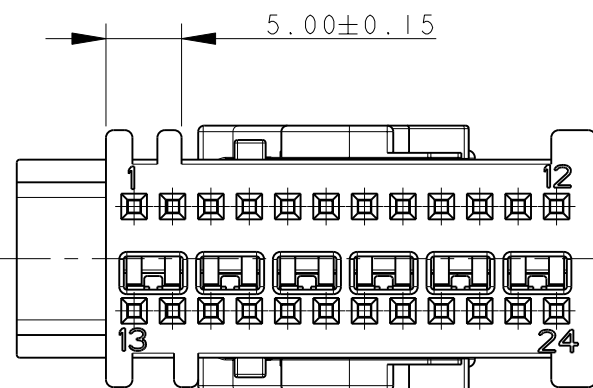


ITEM VOCE	DESCRIPTION DESCRIZIONE	MATERIAL MATERIALE	Q.TY Q.TA'
1	LEVER LEVA	PA 66 GF30 COLOR GREEN COLORE VERDE	1
2	COVER CORAZZA	PA 66 GF30 COLOR WHITE COLORE BIANCO	1
3	RECEPTACLE CONN. ASSEMBLY ASSEM. BLOCCHETTO PORTA FEMMINE	SEE TABLE BELOW VEDI TAVOLA SOTTO	1

ITEM VOCE	SUB-ITEM SOTTO VOCE	DESCRIPTION DESCRIZIONE	MATERIAL MATERIALE	Q.TY Q.TA'
3	3-1	HOUSING BLOCCHETTO	PA 66 GF13 COLOR WHITE COLORE BIANCO	1
	3-2	SHORT CIRCUIT SPRING MOLLA DI CORTO CIRCUITO	STAINLESS STEEL ACCIAIO INOX	6

SCALE 3:2

SCALE 3:2



P/N 284223-7

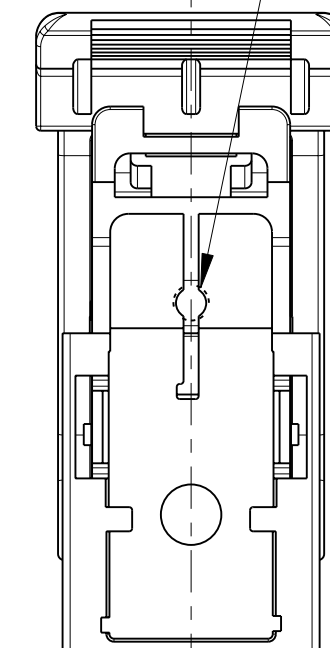
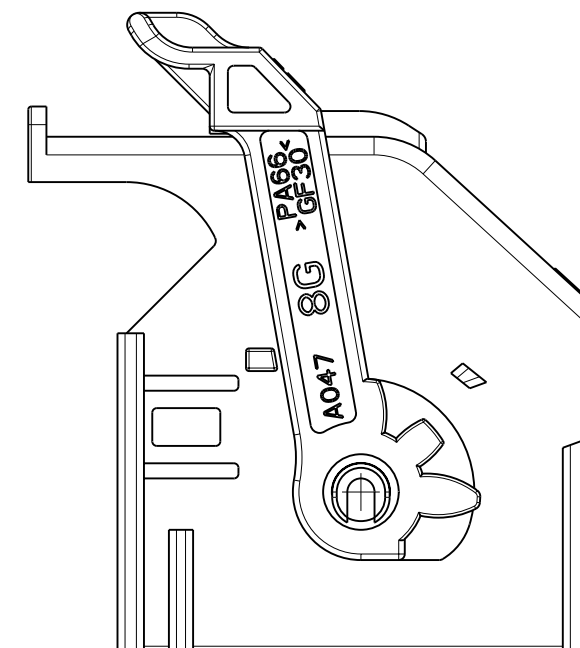
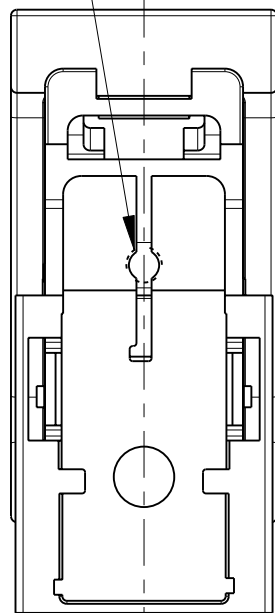
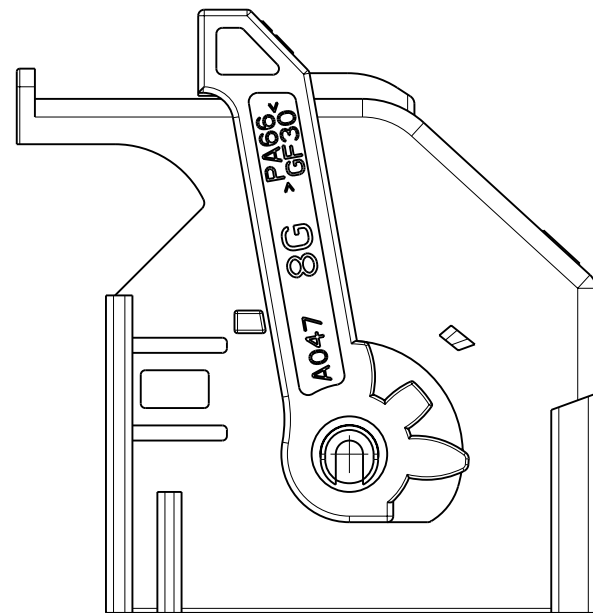
P/N 1-284223-7

6.10±0.15

6.10±0.15

OPTIONAL AREA FOR MOLD EXTRACTORS

OPTIONAL AREA FOR MOLD EXTRACTORS



P/N 284223-7 AND 1-284223-7 KIT ASS'Y AS SHOWN
 P/N 284223-7 E 1-284223-7 KIT COME MOSTRATO

SUITABLE FOR MATING WITH:
 1355737 PIN HEADER 24 + 32 POS. -KEY GEOMETRY AD_Ab-

(ADATTI PER ACCOPPIAMENTO CON:
 1355737 PIN HEADER 24 + 32 POS. -POLARIZZAZIONE GEOMETRICA AD_Ab-)

FOR MISSING DIMENSIONS AND NOTES SEE SHEET 1
 (PER LE DIMENSIONI MANCANTI E LE NOTE VEDERE FOGLIO 1)

THIS DRAWING IS A CONTROLLED DOCUMENT.		DWN P. CASSANDRIN 30NOV98	TE Connectivity	
DIMENSIONS: mm		CHK A. GENTA 30NOV98		
TOLERANCES UNLESS OTHERWISE SPECIFIED:		APVD A. BRUNI 30NOV98	NAME 24 POSITIONS AIRBAG CONNECTOR KIT ASS'Y	
0 PLC ±0.3		PRODUCT SPEC 108-20202	SIZE CAGE CODE DRAWING NO RESTRICTED TO	
1 PLC ±0.2		APPLICATION SPEC I.S. 411-20054	A200779C-284223	
2 PLC ±0.2		WEIGHT -	SCALE 2:1 SHEET 6 OF 6 REV B4	
3 PLC ±		CUSTOMER DRAWING		
4 PLC ±				
ANGLES ±				
FINISH				



Компания «ЭлектроПласт» предлагает заключение долгосрочных отношений при поставках импортных электронных компонентов на взаимовыгодных условиях!

Наши преимущества:

- Оперативные поставки широкого спектра электронных компонентов отечественного и импортного производства напрямую от производителей и с крупнейших мировых складов;
- Поставка более 17-ти миллионов наименований электронных компонентов;
- Поставка сложных, дефицитных, либо снятых с производства позиций;
- Оперативные сроки поставки под заказ (от 5 рабочих дней);
- Экспресс доставка в любую точку России;
- Техническая поддержка проекта, помощь в подборе аналогов, поставка прототипов;
- Система менеджмента качества сертифицирована по Международному стандарту ISO 9001;
- Лицензия ФСБ на осуществление работ с использованием сведений, составляющих государственную тайну;
- Поставка специализированных компонентов (Xilinx, Altera, Analog Devices, Intersil, Interpoint, Microsemi, Aeroflex, Peregrine, Syfer, Eurofarad, Texas Instrument, Miteq, Cobham, E2V, MA-COM, Hittite, Mini-Circuits, General Dynamics и др.);

Помимо этого, одним из направлений компании «ЭлектроПласт» является направление «Источники питания». Мы предлагаем Вам помощь Конструкторского отдела:

- Подбор оптимального решения, техническое обоснование при выборе компонента;
- Подбор аналогов;
- Консультации по применению компонента;
- Поставка образцов и прототипов;
- Техническая поддержка проекта;
- Защита от снятия компонента с производства.



Как с нами связаться

Телефон: 8 (812) 309 58 32 (многоканальный)

Факс: 8 (812) 320-02-42

Электронная почта: org@eplast1.ru

Адрес: 198099, г. Санкт-Петербург, ул. Калинина, дом 2, корпус 4, литера А.