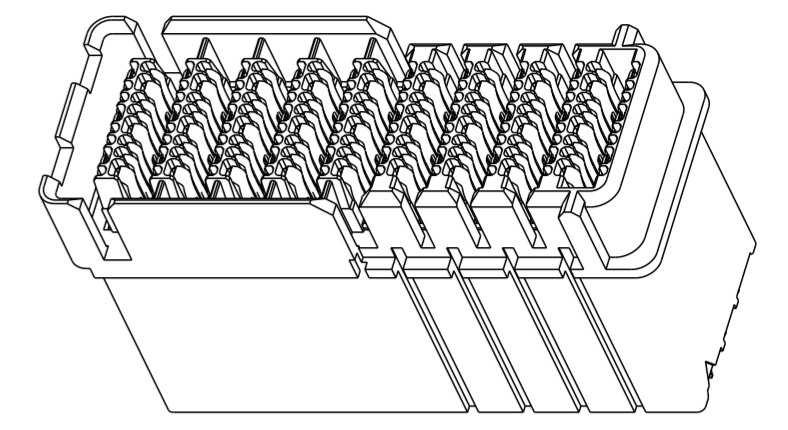
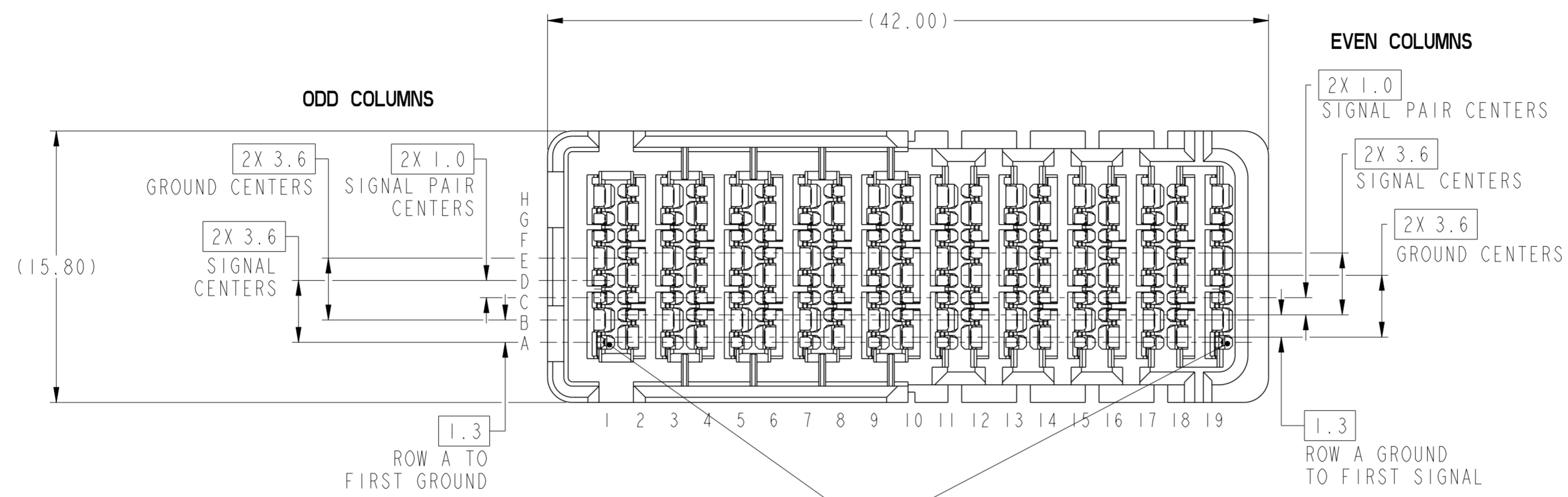
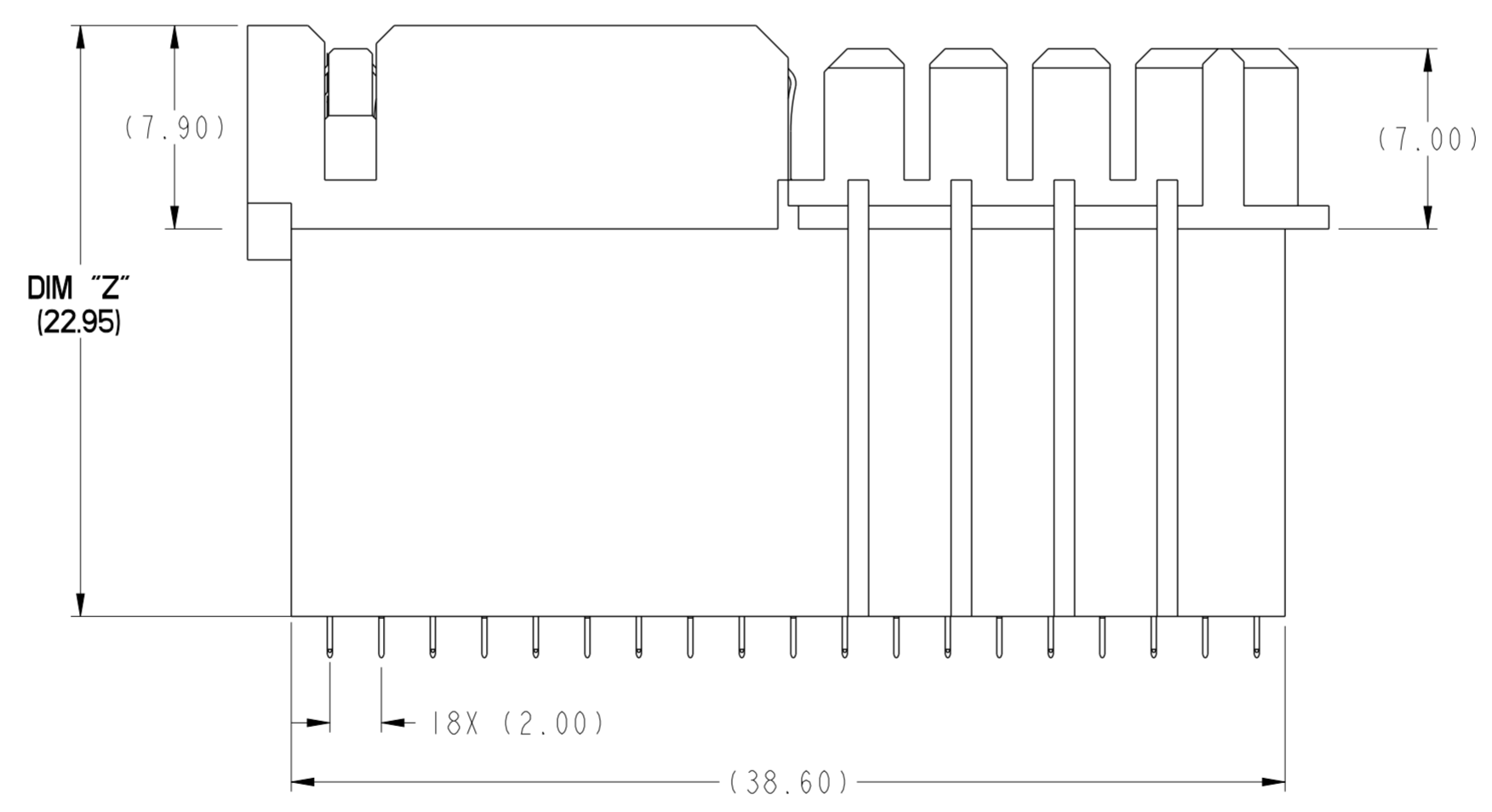
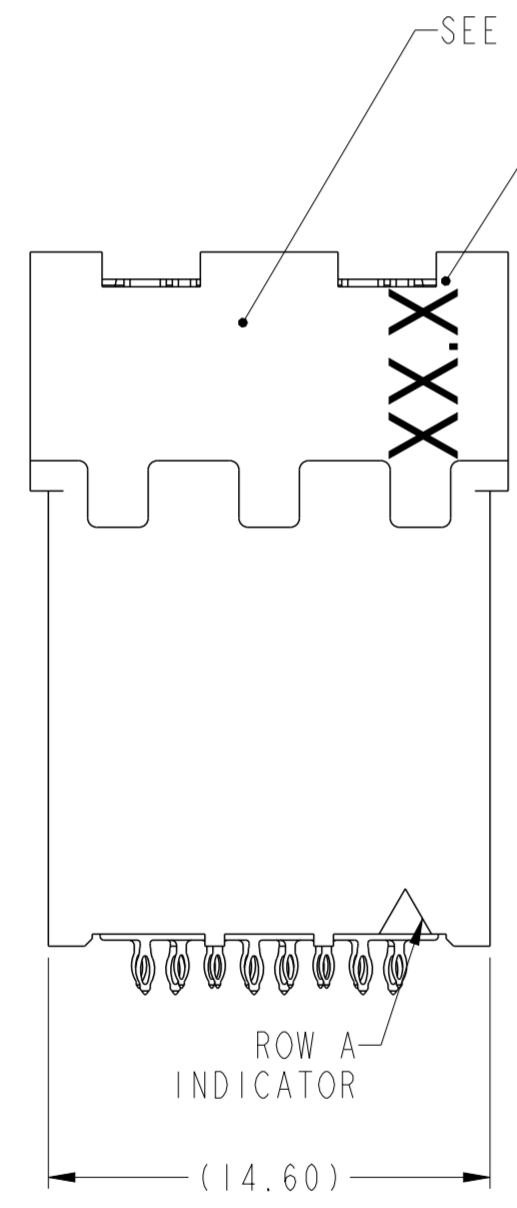


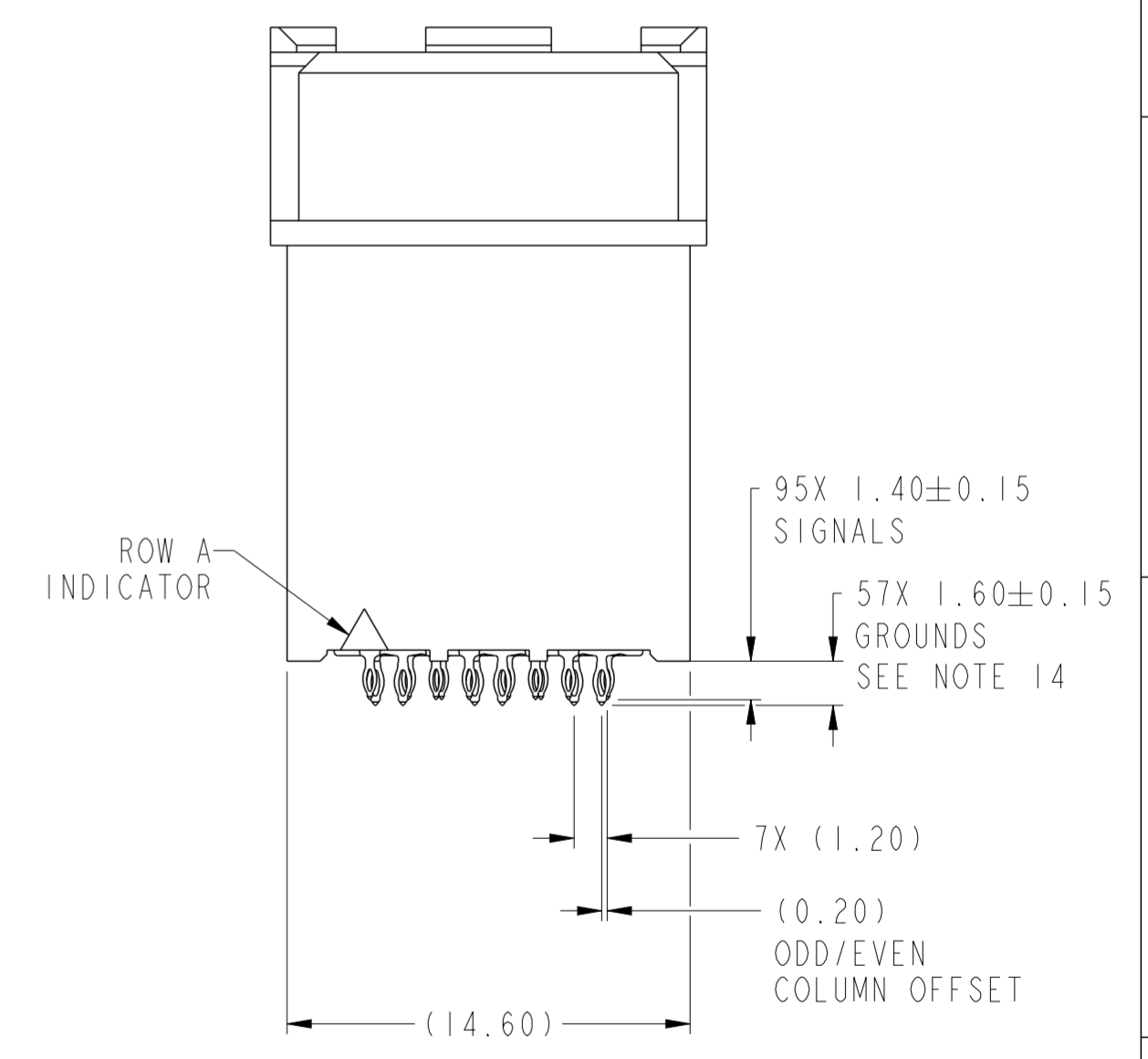
PRODUCT NUMBERS SEE TABLE ON LAST SHEET



SCALE 2:1



10127225-119500ULF SHOWN  
SCALE 4:1



Amphenol  
FCi

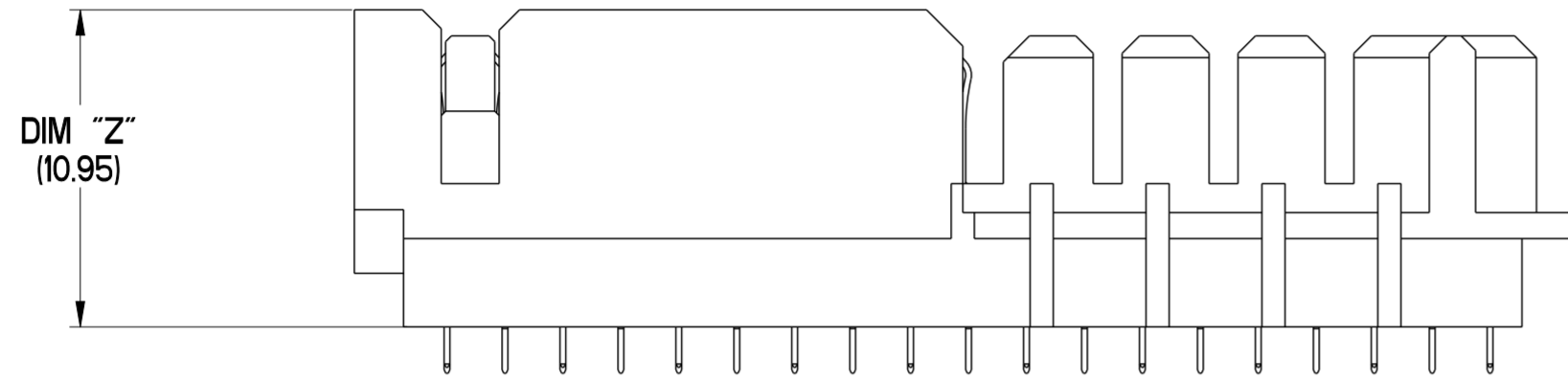
© 2016 AFci

|               |   |        |                |            |            |      |       |     |        |       |            |            |                |         |           |  |  |                     |          |               |                        |              |
|---------------|---|--------|----------------|------------|------------|------|-------|-----|--------|-------|------------|------------|----------------|---------|-----------|--|--|---------------------|----------|---------------|------------------------|--------------|
| spec ref      | SEE NOTES   | dr     | Mark Lauermann | 2013/09/10 | projection | mm   | size  | A2  | scale  | 4:1   |            |            |                |         |           |  |  |                     |          |               |                        |              |
| tolerance std | TOLERANCES UNLESS OTHERWISE SPECIFIED   | eng    | David Guo      | 2018/01/30 |            | mm   | A2    | 4:1 | ecn no | -     |            |            |                |         |           |  |  |                     |          |               |                        |              |
| ASME Y14.5M   |   | chr    | -              | app        |            |      |       |     |        |       | Heaven Cen | 2018/01/30 | product family | ExaMEZZ | rel level | Released   |  |                     |          |               |                        |              |
| surface       | <table border="1"> <tr> <td>linear</td> <td>0.X</td> <td>±0.3</td> </tr> <tr> <td></td> <td>0.XX</td> <td>±0.10</td> </tr> <tr> <td></td> <td>0.XXX</td> <td>±0.05</td> </tr> <tr> <td>angular</td> <td>0°</td> <td>±2°</td> </tr> </table> | linear | 0.X            | ±0.3       |            | 0.XX | ±0.10 |     | 0.XXX  | ±0.05 | angular    | 0°         | ±2°            |         |           | title<br>ExaMEZZ CONNECTOR ASSEMBLY<br>HERMAPHRODITIC, 2 PAIR, 19 IMLA |  | part no<br>10127225 | rev<br>A | cat. no.<br>- | Product - Customer Drw | sheet 1 of 4 |
| linear        | 0.X   | ±0.3   |                |            |            |      |       |     |        |       |            |            |                |         |           |  |  |                     |          |               |                        |              |
|               | 0.XX  | ±0.10  |                |            |            |      |       |     |        |       |            |            |                |         |           |  |  |                     |          |               |                        |              |
|               | 0.XXX   | ±0.05  |                |            |            |      |       |     |        |       |            |            |                |         |           |  |  |                     |          |               |                        |              |
| angular       | 0°  | ±2°    |                |            |            |      |       |     |        |       |            |            |                |         |           |  |  |                     |          |               |                        |              |

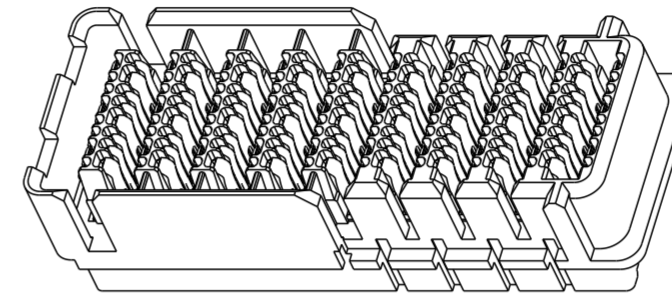
PDS: Rev :A

STATUS:Released

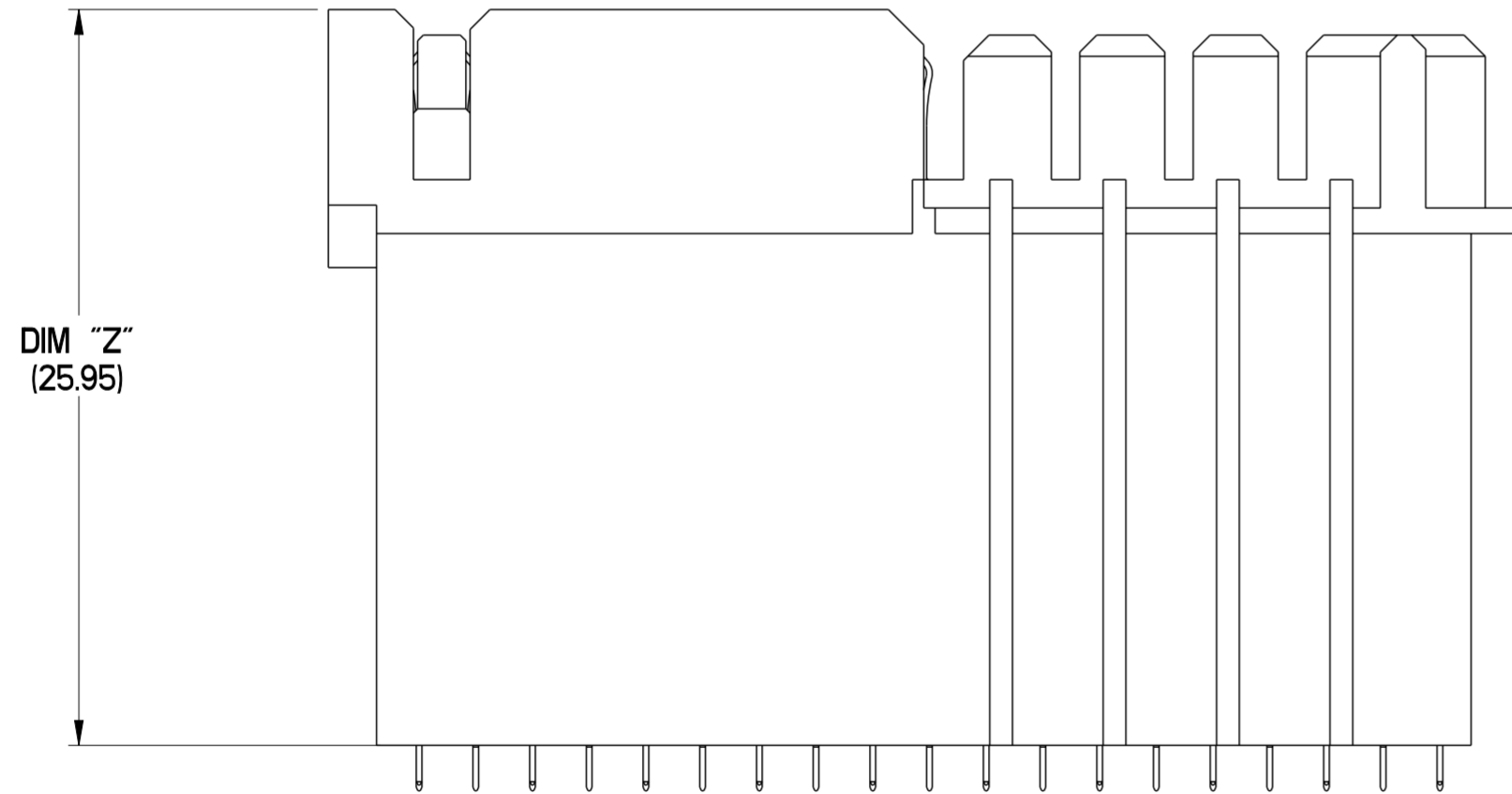
Printed: Jan 30, 2018



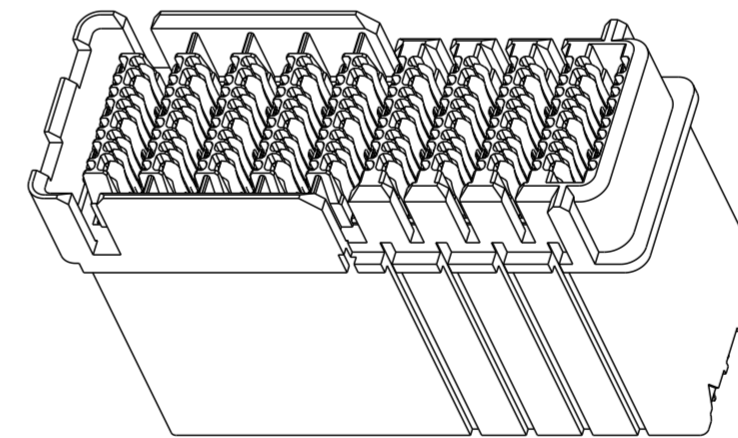
SHORTEST HEIGHT  
10127225-107500ULF SHOWN  
SCALE 4:1



SCALE 2:1

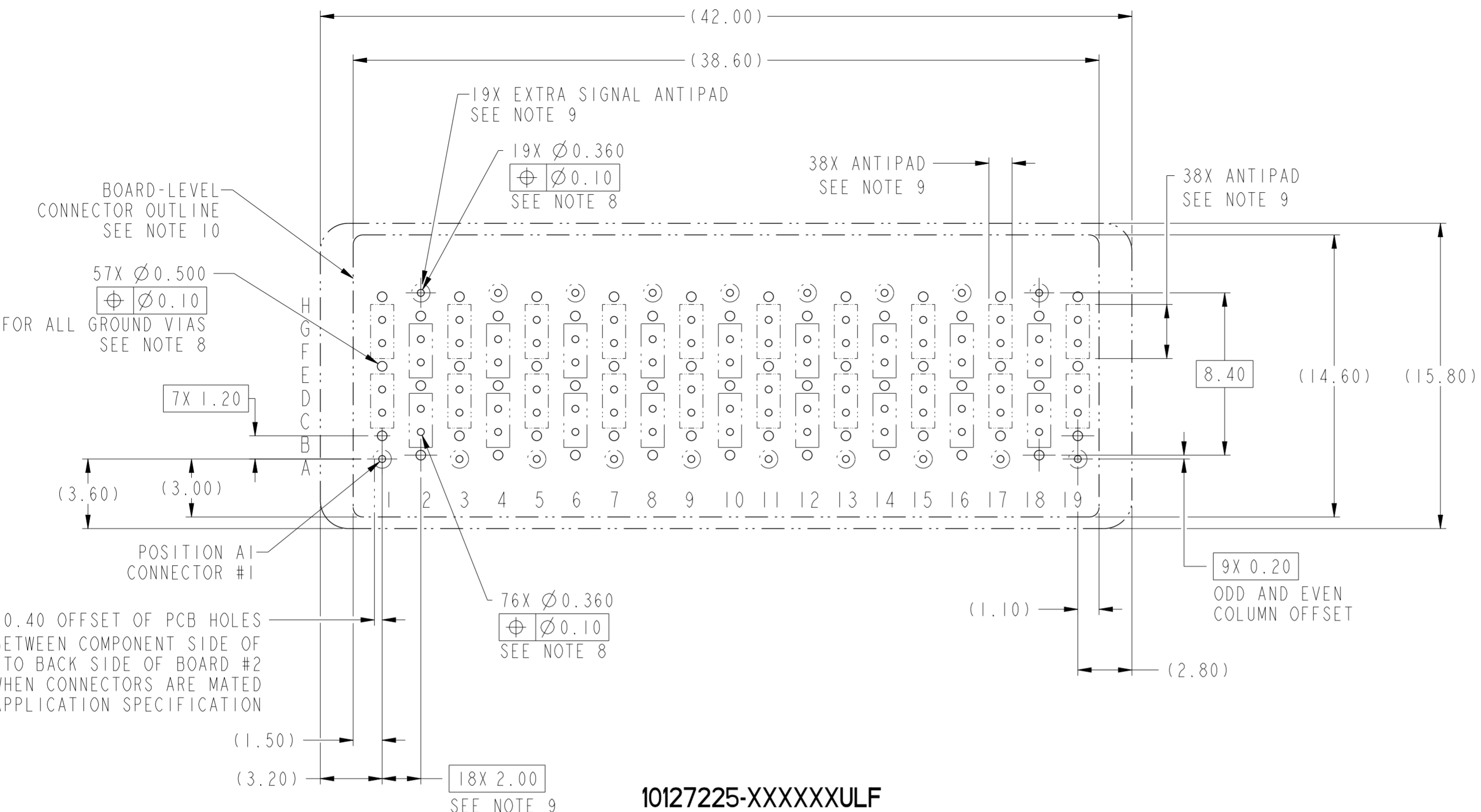


TALLEST HEIGHT  
10127225-122500ULF SHOWN  
SCALE 4:1



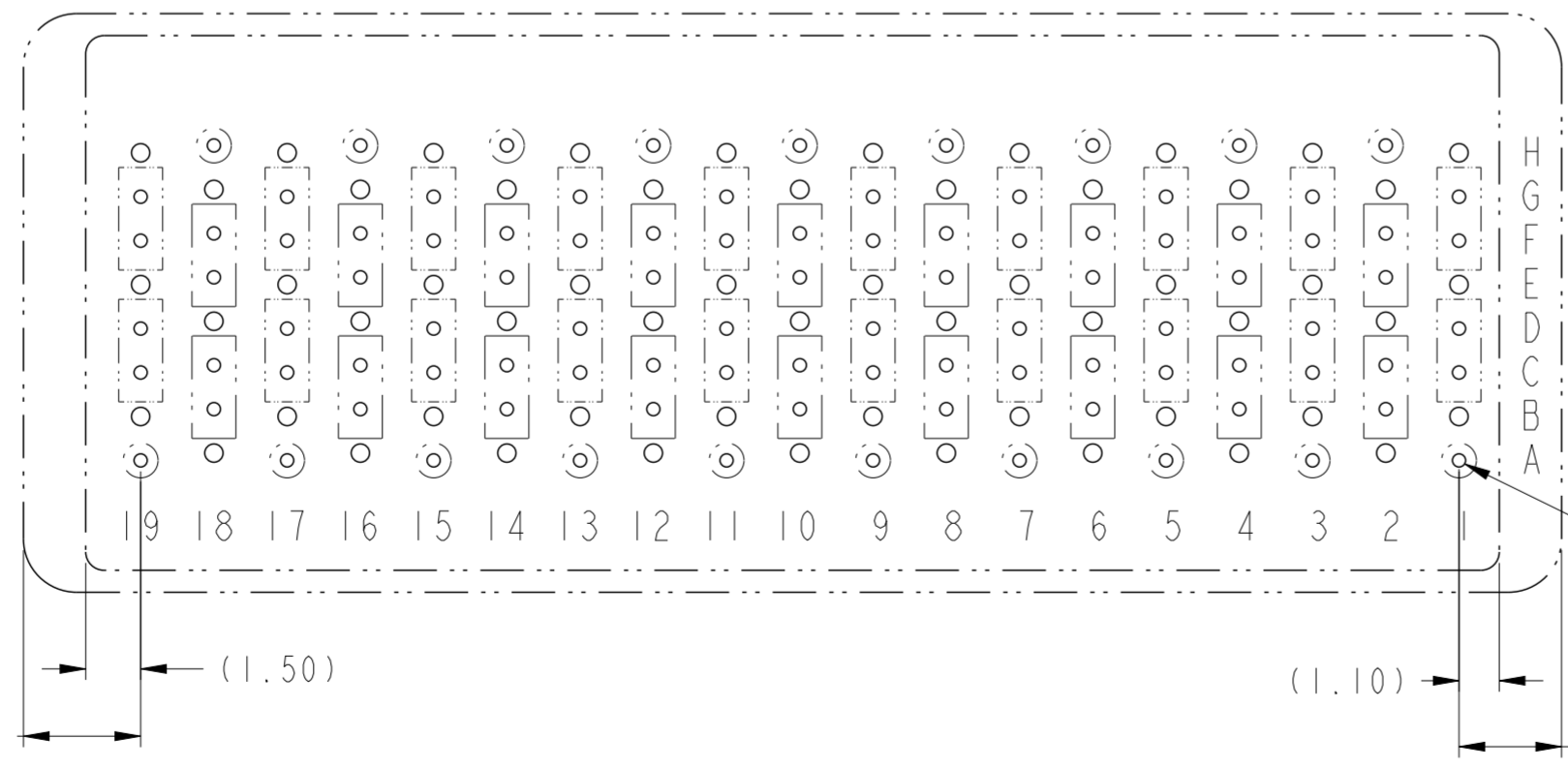
SCALE 2:1

|               |                                       |          |                |                |                        |    |         |           |                     |  |                 |              |
|---------------|---------------------------------------|----------|----------------|----------------|------------------------|----|---------|-----------|---------------------|--|-----------------|--------------|
| spec ref      | SEE NOTES                             | dr       | Mark Lauermann | 2013/09/10     | projection             | mm | size    | A2        | scale               | 4:1  |                 |              |
| tolerance std | TOLERANCES UNLESS OTHERWISE SPECIFIED | eng      | David Guo      | 2018/01/30     |                        |    | ecn no  | -         | <b>Amphenol FCI</b> | title<br>ExaMEZZ CONNECTOR ASSEMBLY<br>HERMAPHRODITIC, 2 PAIR, 19 IMLA | rev<br><b>A</b> |              |
| ASME Y14.5M   |                                       | chr      | -              | product family |                        |    | ExaMEZZ | rel level |                     |  |                 | Released     |
| surface       |                                       | appr     | Heaven Cen     | 2018/01/30     |                        |    | div no  | 10127225  |                     |  |                 | sheet 2 of 4 |
|               | linear                                | 0.X      | ±0.3           |                |                        |    |         |           |                     |  |                 |              |
|               |                                       | 0.XX     | ±0.10          |                |                        |    |         |           |                     |  |                 |              |
|               |                                       | 0.XXX    | ±0.05          |                |                        |    |         |           |                     |  |                 |              |
|               | angular                               | 0°       | ±2°            |                |                        |    |         |           |                     |  |                 |              |
|               |                                       | cat. no. |                |                | Product - Customer Drw |    |         |           |                     |  |                 |              |



**BOARD FOOTPRINT  
CONNECTOR #1  
COMPONENT SIDE**

**10127225-XXXXXXULF  
RECOMMENDED PCB LAYOUT  
SCALE 5:1**



**BOARD FOOTPRINT  
CONNECTOR #2 (MATING CONNECTOR)  
(SAME FOOTPRINT, DIFFERENT A1 LOCATION)  
COMPONENT SIDE**

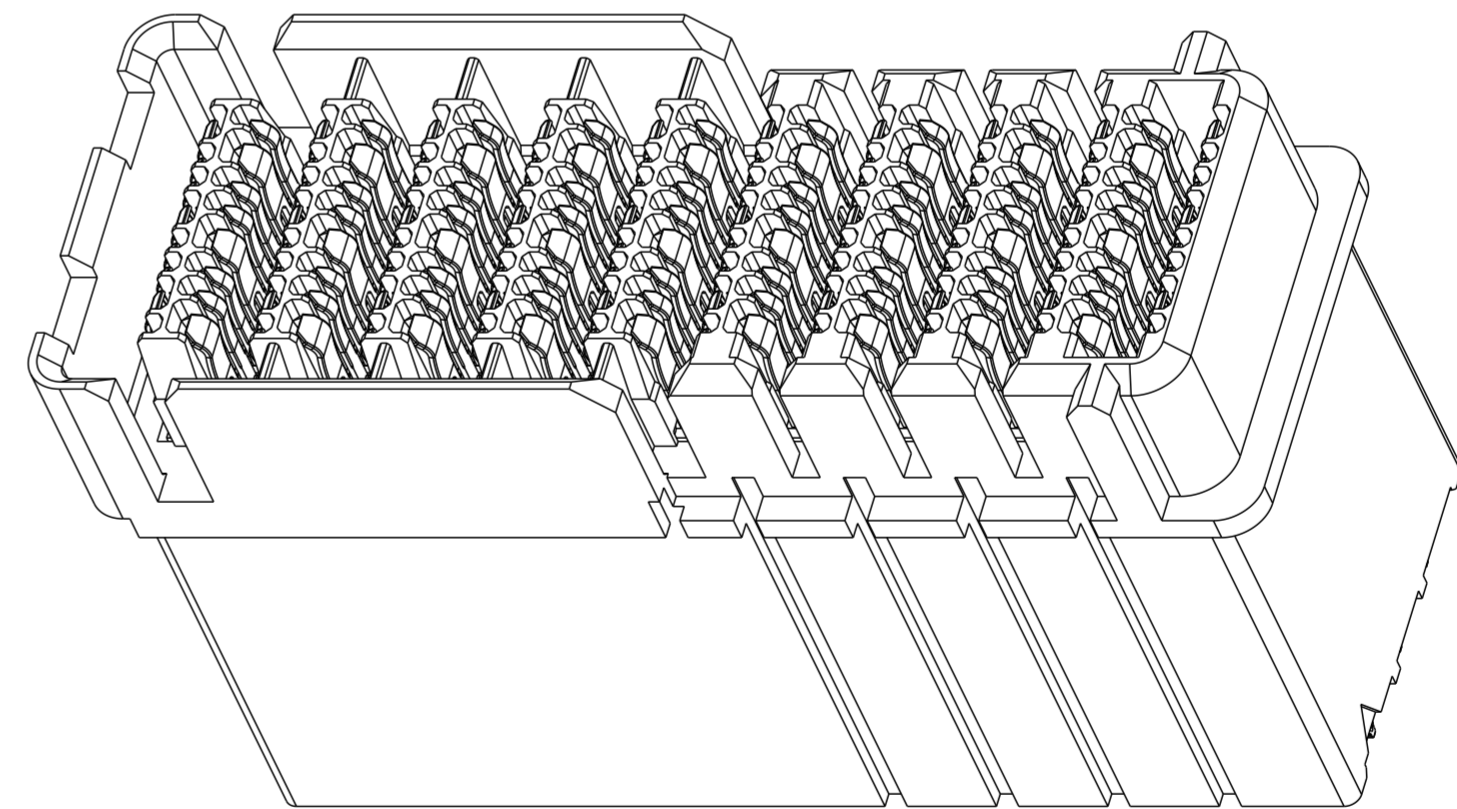
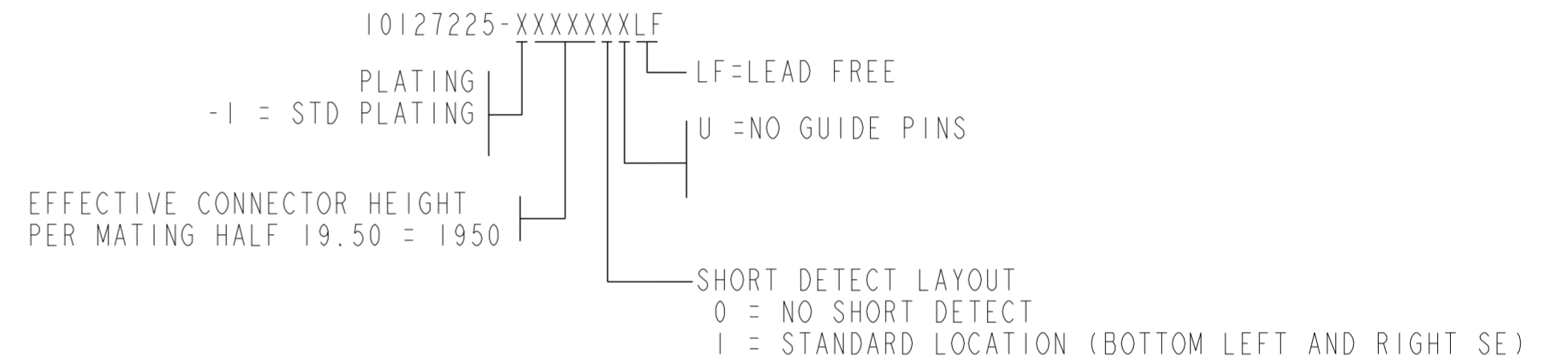
|               |   |        |                  |            |            |      |        |    |           |          |            |            |                |         |  |  |  |                                      |                          |                 |
|---------------|---|--------|------------------|------------|------------|------|--------|----|-----------|----------|------------|------------|----------------|---------|--|--|--|--------------------------------------|--------------------------|-----------------|
| spec ref      | SEE NOTES   | dr     | Mark Lauerermann | 2013/09/10 | projection | mm   | size   | A2 | scale     | 2:1      |            |            |                |         |  |  |  |                                      |                          |                 |
| tolerance std | TOLERANCES UNLESS OTHERWISE SPECIFIED   | eng    | David Guo        | 2018/01/30 |            | mm   | ecn no | -  | rel level | Released |            |            |                |         |  |  |  |                                      |                          |                 |
| ASME Y14.5M   |   | chr    | -                | appr       |            |      |        |    |           |          | Heaven Cen | 2018/01/30 | product family | ExaMEZZ |  |  |  |                                      |                          |                 |
| surface       | <table border="1"> <tr> <td>linear</td> <td>0.X</td> <td>±0.3</td> </tr> <tr> <td></td> <td>0.XX</td> <td>±0.10</td> </tr> <tr> <td></td> <td>0.XXX</td> <td>±0.05</td> </tr> <tr> <td>angular</td> <td>0°</td> <td>±2°</td> </tr> </table> | linear | 0.X              | ±0.3       |            | 0.XX | ±0.10  |    | 0.XXX     | ±0.05    | angular    | 0°         | ±2°            |         |  | <b>ExaMEZZ CONNECTOR ASSEMBLY</b><br>HERMAPHRODITIC, 2 PAIR, 19 IMLA |  | cat. no. -<br>Product - Customer Drw | 10127225<br>sheet 3 of 4 | rev<br><b>A</b> |
| linear        | 0.X   | ±0.3   |                  |            |            |      |        |    |           |          |            |            |                |         |  |  |  |                                      |                          |                 |
|               | 0.XX  | ±0.10  |                  |            |            |      |        |    |           |          |            |            |                |         |  |  |  |                                      |                          |                 |
|               | 0.XXX   | ±0.05  |                  |            |            |      |        |    |           |          |            |            |                |         |  |  |  |                                      |                          |                 |
| angular       | 0°  | ±2°    |                  |            |            |      |        |    |           |          |            |            |                |         |  |  |  |                                      |                          |                 |

Amphenol  
FCi

© 2016 AFci

- 1 - CONNECTOR MATERIALS:  
HOUSING: HIGH TEMP THERMOPLASTIC, NATURAL, UL94-V0  
IMLA PLASTIC: HIGH TEMP THERMOPLASTIC, BLACK, UL94-V0  
CONTACT: COPPER ALLOY
- 2 - CONTACT PLATING:  
SEPARABLE INTERFACE:  
PERFORMANCE-BASED PLATING, QUALIFIED TO MEET THE REQUIREMENTS OF FCI PRODUCT SPECIFICATION GS-12-1150 INCLUDING TELCORDIA GR-1217-CORE (NOVEMBER 1995) CENTRAL OFFICE TEST SEQUENCE.
- PRESS-FIT TAILS:  
TIN OVER NICKEL (LEAD-FREE)
- 3 - PRODUCT SPECIFICATION: GS-12-1150
- 4 - APPLICATION SPECIFICATION: GS-20-0373
- 5 - PRODUCT MARKING (PART NUMBER & LOT CODE) ON THIS SURFACE.
- 6 - LEAD FREE PRODUCT MEETS THE EUROPEAN UNION DIRECTIVES & OTHER COUNTRY REGULATIONS AS DESCRIBED IN GS-47-0004.
- 7 - PACKAGING MEETS GS-14-920 LEAD FREE LABELING SPECIFICATION.
- 8 - REFER TO CUSTOMER DRAWING 10119933 FOR INFORMATION ON PCB HOLE DIAMETERS AND PLATING OPTIONS
- 9 - REFER TO ROUTING GUIDE GS-20-0511 FOR RECOMMENDATIONS ON OPTIMIZATION OF FOOTPRINT AND TRACE ROUTING LAYOUT
- 10 - CONNECTOR OUTLINE MAY BE SCREEN PRINTED ONTO CUSTOMER PCB TO BE USED AS A GUIDE FOR MANUAL CONNECTOR PLACEMENT.
- 11 - PRODUCT STACK HEIGHT (7.5, 11.5, 12.5, 19.5, OR 22.5) LASER MARKED ON THIS SURFACE.
- 12 - THE SHORT DETECT CONNECTOR (WHEN MATED WITH A NON-SHORT DETECT CONNECTOR) WILL PROVIDE CONTACTS THAT MATE 1.00mm AFTER THE REMAINDER OF STANDARD LENGTH SIGNAL AND GROUND CONTACTS MATE. NEVER MATE A SHORT DETECT CONNECTOR WITH ANOTHER SHORT DETECT CONNECTOR.
- 13 - THE HOUSING WILL WITHSTAND EXPOSURE TO 260 °C PEAK TEMPERATURE FOR 10-30 SECONDS IN A CONVECTION, INFRA-RED, OR VAPOR PHASE REFLOW OVEN.
- 14 - ALL GROUND CONTACTS WITHIN A COLUMN ARE COMMONED

| PRODUCT NUMBER     | STACK HEIGHT EACH SIDE | DIM "Z" | SHORT DETECTS |
|--------------------|------------------------|---------|---------------|
| 10127225-107500ULF | 7.5 mm                 | 10.95   | NO            |
| 10127225-107501ULF | 7.5 mm                 | 10.95   | YES           |
| 10127225-111500ULF | 11.5 mm                | 14.95   | NO            |
| 10127225-111501ULF | 11.5 mm                | 14.95   | YES           |
| 10127225-112500ULF | 12.5 mm                | 15.95   | NO            |
| 10127225-112501ULF | 12.5 mm                | 15.95   | YES           |
| 10127225-119500ULF | 19.5 mm                | 22.95   | NO            |
| 10127225-119501ULF | 19.5 mm                | 22.95   | YES           |
| 10127225-122500ULF | 22.5 mm                | 25.95   | NO            |
| 10127225-122501ULF | 22.5 mm                | 25.95   | YES           |



|               |   |        |                |            |            |      |        |    |           |          |            |            |                |         |  |  |  |   |   |   |
|---------------|---|--------|----------------|------------|------------|------|--------|----|-----------|----------|------------|------------|----------------|---------|--|--|--|---|---|---|
| spec ref      | SEE NOTES   | dr     | Mark Lauermann | 2013/09/10 | projection | mm   | size   | A2 | scale     | 4:1      |            |            |                |         |  |  |  |   |   |   |
| tolerance std | TOLERANCES UNLESS OTHERWISE SPECIFIED   | eng    | David Guo      | 2018/01/30 |            | mm   | ecn no | -  | rel level | Released |            |            |                |         |  |  |  |   |   |   |
| ASME Y14.5M   |   | chr    | -              | appr       |            |      |        |    |           |          | Heaven Cen | 2018/01/30 | product family | ExaMEZZ |  |  |  |   |   |   |
| surface       | <table border="1"> <tr> <td>linear</td> <td>0.X</td> <td>±0.3</td> </tr> <tr> <td></td> <td>0.XX</td> <td>±0.10</td> </tr> <tr> <td></td> <td>0.XXX</td> <td>±0.05</td> </tr> <tr> <td>angular</td> <td>0°</td> <td>±2°</td> </tr> </table> | linear | 0.X            | ±0.3       |            | 0.XX | ±0.10  |    | 0.XXX     | ±0.05    | angular    | 0°         | ±2°            |         |  | <b>ExaMEZZ CONNECTOR ASSEMBLY</b><br>HERMAPHRODITIC, 2 PAIR, 19 IMLA |  | <div style="display: flex; justify-content: space-between;"> <span>cat. no.</span> <span>Product - Customer Drw</span> </div> | <div style="display: flex; justify-content: space-between;"> <span>10127225</span> <span>sheet 4 of 4</span> </div> | <div style="display: flex; justify-content: space-between;"> <span>rev</span> <span>A</span> </div> |
| linear        | 0.X   | ±0.3   |                |            |            |      |        |    |           |          |            |            |                |         |  |  |  |   |   |   |
|               | 0.XX  | ±0.10  |                |            |            |      |        |    |           |          |            |            |                |         |  |  |  |   |   |   |
|               | 0.XXX   | ±0.05  |                |            |            |      |        |    |           |          |            |            |                |         |  |  |  |   |   |   |
| angular       | 0°  | ±2°    |                |            |            |      |        |    |           |          |            |            |                |         |  |  |  |   |   |   |



Компания «ЭлектроПласт» предлагает заключение долгосрочных отношений при поставках импортных электронных компонентов на взаимовыгодных условиях!

Наши преимущества:

- Оперативные поставки широкого спектра электронных компонентов отечественного и импортного производства напрямую от производителей и с крупнейших мировых складов;
- Поставка более 17-ти миллионов наименований электронных компонентов;
- Поставка сложных, дефицитных, либо снятых с производства позиций;
- Оперативные сроки поставки под заказ (от 5 рабочих дней);
- Экспресс доставка в любую точку России;
- Техническая поддержка проекта, помощь в подборе аналогов, поставка прототипов;
- Система менеджмента качества сертифицирована по Международному стандарту ISO 9001;
- Лицензия ФСБ на осуществление работ с использованием сведений, составляющих государственную тайну;
- Поставка специализированных компонентов (Xilinx, Altera, Analog Devices, Intersil, Interpoint, Microsemi, Aeroflex, Peregrine, Syfer, Eurofarad, Texas Instrument, Miteq, Cobham, E2V, MA-COM, Hittite, Mini-Circuits, General Dynamics и др.);

Помимо этого, одним из направлений компании «ЭлектроПласт» является направление «Источники питания». Мы предлагаем Вам помощь Конструкторского отдела:

- Подбор оптимального решения, техническое обоснование при выборе компонента;
- Подбор аналогов;
- Консультации по применению компонента;
- Поставка образцов и прототипов;
- Техническая поддержка проекта;
- Защита от снятия компонента с производства.



#### Как с нами связаться

**Телефон:** 8 (812) 309 58 32 (многоканальный)

**Факс:** 8 (812) 320-02-42

**Электронная почта:** [org@eplast1.ru](mailto:org@eplast1.ru)

**Адрес:** 198099, г. Санкт-Петербург, ул. Калинина, дом 2, корпус 4, литера А.