


Helping Customers Innovate, Improve & Grow



## Description

The VS-709 is a Voltage Controlled SAW Oscillator that operates at the fundamental frequency from one of the two internal SAW filters. The SAW filters are high-Q Quartz devices that enable the circuit to achieve low phase jitter performance over a wide operating temperature range. A divider circuit is deployed for output frequencies less than 600 MHz. The selectable dual oscillator is housed in a hermetically sealed leadless surface mount package and offered on tape and reel. It has a tri-state Frequency Select function that provides one of three conditions: Frequency 1, Output Disable, or Frequency 2.

## Features

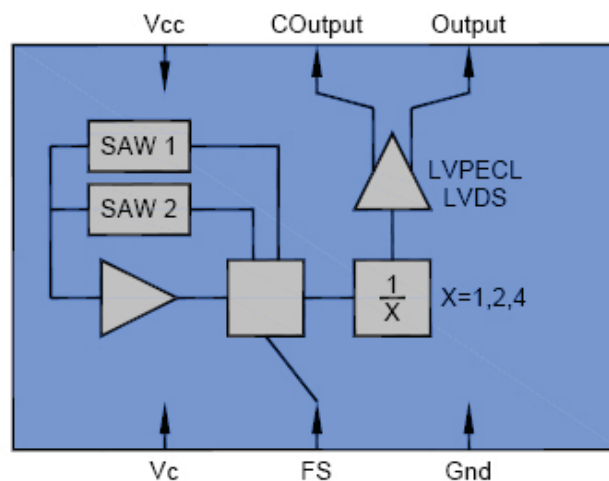
- Industry Standard Package, 5.0 x 7.0 x 1.8 mm
- 5th Generation ASIC Technology for Ultra Low Jitter  
120 fs-rms (fN = 622.08 MHz, 12 kHz to 20 MHz)  
105 fs-rms (fN = 622.08 MHz, 50 kHz to 80 MHz)
- Output Frequencies from 150 MHz to 1000 MHz
- Spurious Suppression, 90 dBc Typical
- 2.5V or 3.3V Supply Voltage
- LVPECL or LVDS Output Configurations
- Tri-State Frequency Select (F1, OD, F2)
- Compliant to EC RoHS6 Directive 

## Applications

PLL circuits for clock smoothing and frequency translation

<u>Description</u>	<u>Standard</u>
• SONET / SDH	GR-253-CORE
• OTN (Optical Transport Network)	ITU-T G.709/Y.1331
• 10 GbE (Gigabit Ethernet)	IEEE 802.3ae
• 10 GFC (Gigabit Fibre Channel)	INCITS 364-2003
• 40 GbE & 100 GbE	IEEE 802.3ba
• Synchronous Ethernet	ITU-T G.8261
• WiMax	IEEE 802.16

## Block Diagram



Performance Specifications

Electrical Performance					
Parameter	Symbol	Min	Typical	Maximum	Units
<b>Frequency</b>					
Nominal Frequency <sup>1,2,3</sup>	$f_N$	150		1000	MHz
Absolute Pull Range <sup>1,2,3,9</sup>	APR	±50			ppm
Linearity <sup>2,4,9</sup>	Lin		±7		%
Gain Transfer <sup>2,9</sup>	$K_V$		+445		ppm/V
Temperature Stability <sup>1,7</sup>	$f_{STAB}$		±100		ppm
<b>Supply</b>					
Voltage (± 10%) <sup>2,3</sup>	$V_{CC}$	2.97	3.3	3.63	V
Current (Typical 50Ω Load) <sup>3</sup>	$I_{CC}$		73		mA
Current (No Load) <sup>3</sup>	$I_{CC}$		60	75	mA
<b>Outputs</b>					
Mid Level <sup>2,3</sup>		$V_{CC}-1.5$	$V_{CC}-1.3$	$V_{CC}-1.1$	mV
Single Ended Swing <sup>2,3</sup>			750		mV-pp
Differential Swing <sup>2,3</sup>			1.5		V-pp
Current <sup>7</sup>	$I_{OUT}$			20	mA
Rise Time <sup>6,7</sup>	$t_R$		180	250	ps-pp
Fall Time <sup>6,7</sup>	$t_F$		180	250	ps-pp
Symmetry <sup>2,3</sup>	SYM	45	50	55	%
Spurious Suppression <sup>7</sup>		85	90		dBc
Jitter ( $600 \leq f_N \leq 1000$ ) <sup>7,8</sup>	$\phi J$		150		fs-rms
Jitter ( $300 \leq f_N \leq 500$ ) <sup>7,8</sup>	$\phi J$		190		fs-rms
Jitter ( $150 \leq f_N \leq 250$ ) <sup>7,8</sup>	$\phi J$		280		fs-rms
<b>Control Voltage</b>					
Input Impedance (F1 or F2 Enabled) <sup>7</sup>	$Z_C$		123		kΩ
Input Impedance (Output Disabled) <sup>7</sup>	$Z_C$		472		kΩ
Modulation Bandwidth <sup>7</sup>	BW		200		kHz
Operating Temperature <sup>1,3</sup>	$T_{OP}$	-40		+85	°C
Package Size		5.0 x 7.0 x 1.8			mm

- 1] See Standard Frequencies and Ordering Information (Pg 8).
- 2] Parameters are tested with production test circuit (Pg 3).
- 3] Parameters are tested at ambient temperature with test limits guard-banded for specified operating temperature.
- 4] Measured as the maximum deviation from the best straight-line fit, per MIL-0-55310.
- 5] The Vc Model is described below (Fig 1).
- 6] Parameters are described with waveform diagram below (Fig 2).
- 7] Not tested in production, guaranteed by design, verified at qualification.
- 8] For Frequencies > 600 MHz, Jitter is Integrated across 50 kHz to 80 MHz.  
For Frequencies < 600 MHz, Jitter is Integrated across 12 kHz to 20 MHz. (Both per GR-253-CORE Issue3).
- 9] Tested with Vc = 0.3V to 3.0V.

Fig 1: V<sub>c</sub> Model - F1 or F2 Enabled

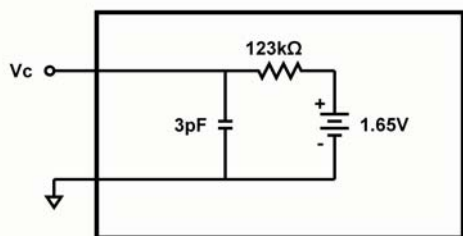
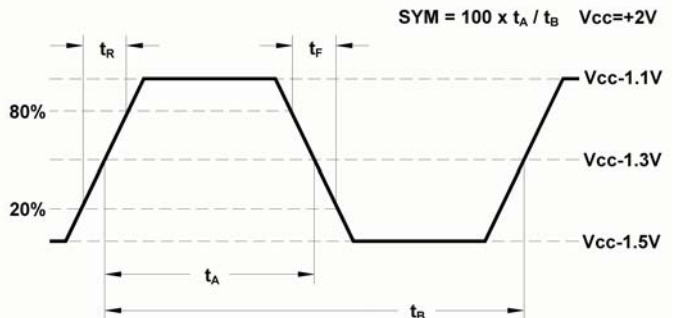


Fig 2: 10K LV-PECL Waveform

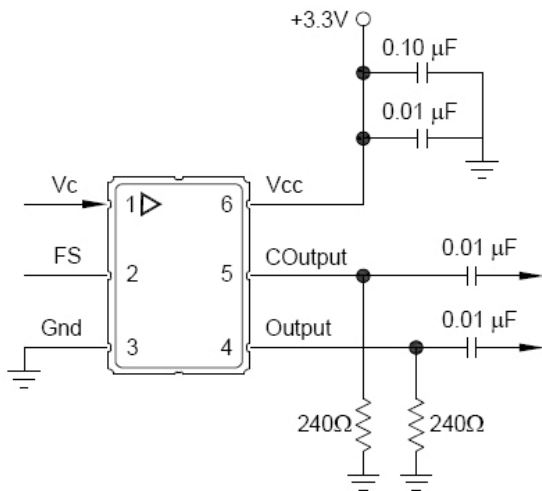


# VS-709 Dual Frequency VCISO

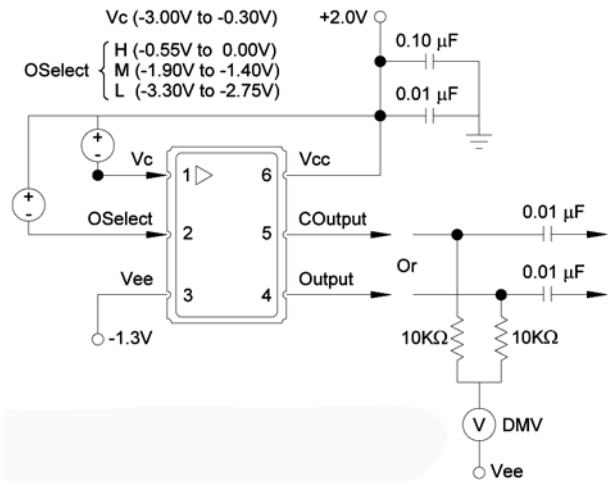
Absolute Maximum Ratings			
Parameter	Symbol	Ratings	Unit
Power Supply	$V_{CC}$	0 to 6	V
Input Current	$I_{IN}$	100	mA
Output Current	$I_{OUT}$	25	mA
Voltage Control Range	$V_C$	0 to $V_{CC}$	V
Output Select	OSelect	0 to $V_{CC}$	V
Storage Temperature	$T_{STR}$	-55 to 125	°C
Soldering Temperature / Duration	$T_{PEAK} / t_p$	260 / 40	°C / sec

Stresses in excess of the absolute maximum ratings can permanently damage the device. Also, exposure to these absolute maximum ratings for extended periods may adversely affect device reliability. Functional operation is not implied at these or any other conditions in excess of those represented in the operational sections of this datasheet. Permanent damage is also possible if any device input ( $V_C$  or OS) draws >100 mA.

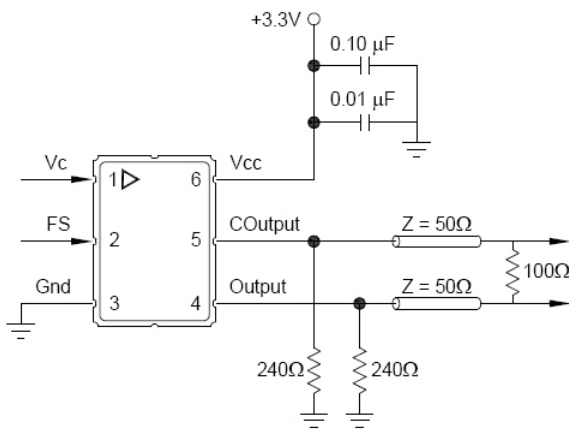
## Test Circuits & Output Load Configuration



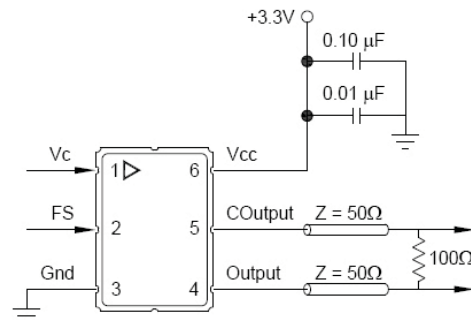
**Functional Test:** Allows use of standard power supply biasing configuration. Pull down resistors are used for LV-PECL outputs and are removed for LVDS outputs. Since the LVDS outputs are AC coupled, the output DC levels cannot be measured.



**Production Test:** DC levels shown for VEE, OSelect, &  $V_C$  are for devices configured for 3.3V operation. LV-PECL outputs are DC coupled to 50Ω test equipment. LVDS outputs are connected to a digital volt meter, then AC coupled to the test equipment. The digital volt meter allows for Mid Level & Swing measurements.

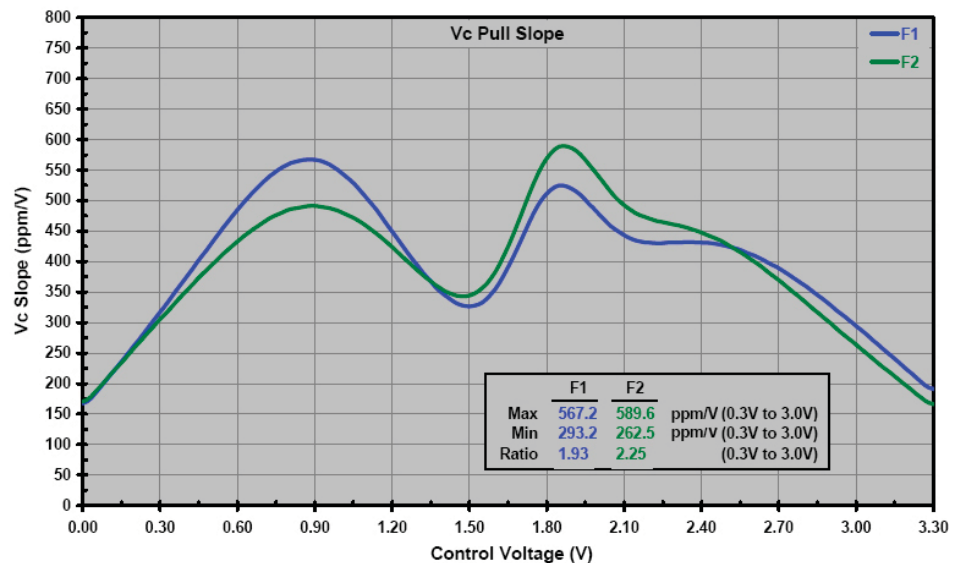
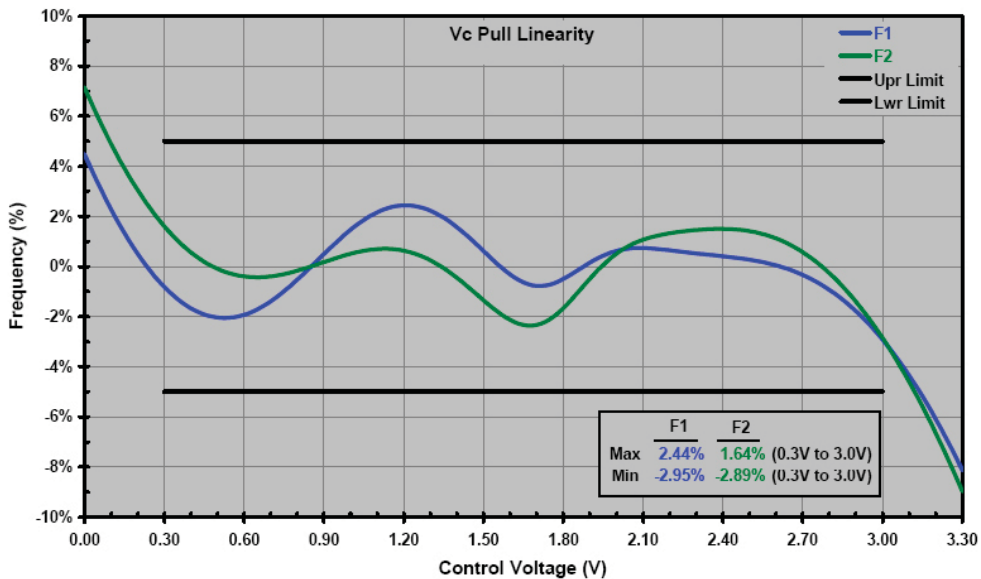
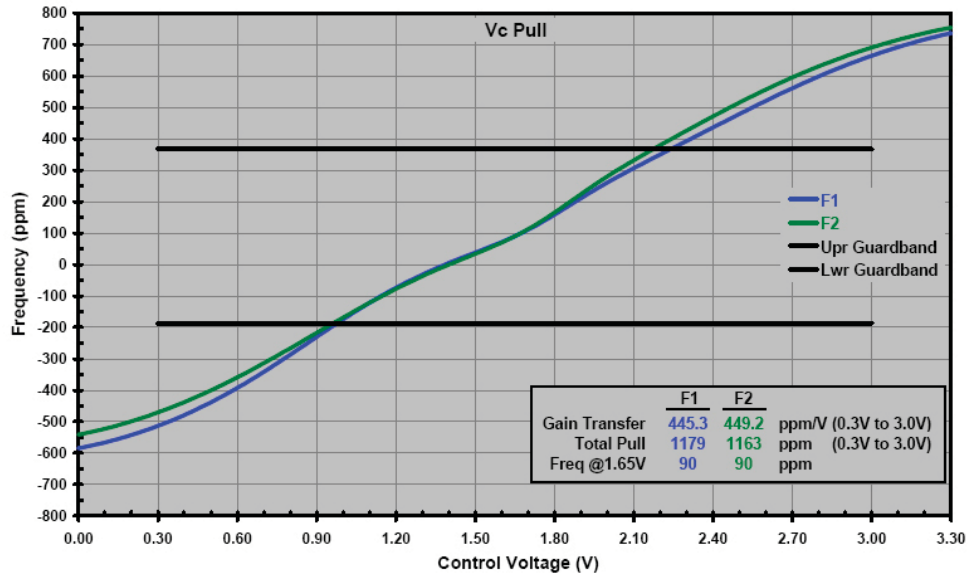


**LV-PECL to LV-PECL:** For short transmission lengths, the pull down resistor values shown provide reasonable power consumption and waveform performance.

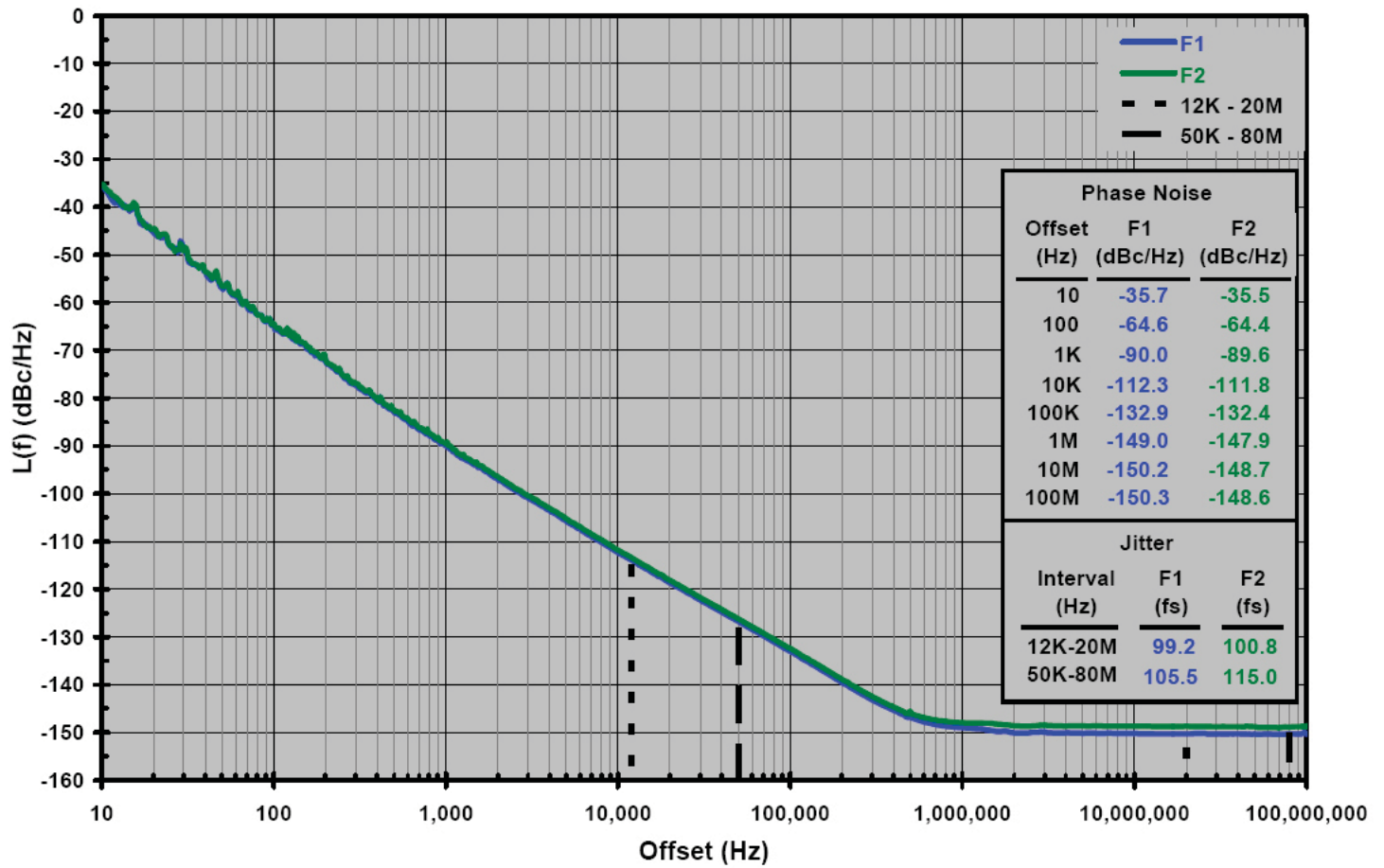


**LVDS to LVDS:** The 100Ω resistor should be removed if this load is provided internally within the LVDS receiver.

Typical Characteristics: Vc Pull, Vc Pull Linearity, Vc Pull Slope



Typical Characteristics: Phase Noise & Jitter



## Reliability

VI qualification includes aging at various extreme temperatures, shock and vibration, temperature cycling, and IR reflow simulation. The VS-705 family is capable of meeting the following qualification tests:

Environmental Compliance	
Parameter	Conditions
Mechanical Shock	MIL-STD-883, Method 2002
Mechanical Vibration	MIL-STD-883, Method 2007
Solderability	MIL-STD-883, Method 2003
Gross and Fine Leak	MIL-STD-883, Method 1014
Resistance to Solvents	MIL-STD-883, Method 2016
Moisture Sensitivity Level	IPC/JEDEC J-STD-020, MSL1

## Handling Precautions

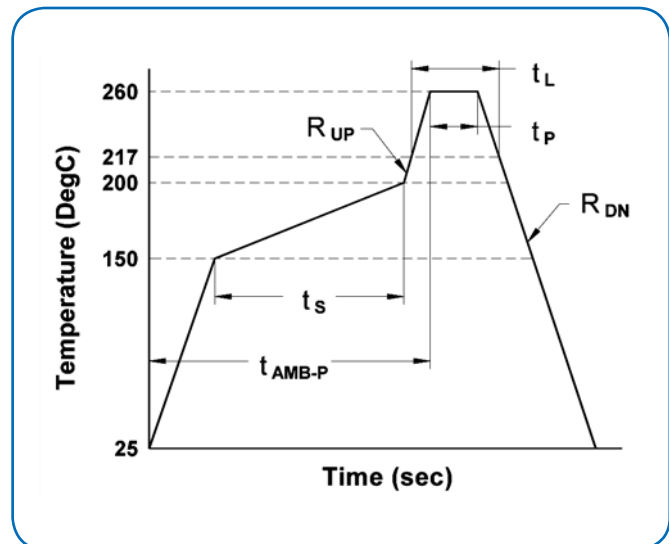
Although ESD protection circuitry has been designed into the VS-709 proper precautions should be taken when handling and mounting. VI employs a human body model (HBM) and a charged-device model (CDM) for ESD susceptibility testing and design protection evaluation.

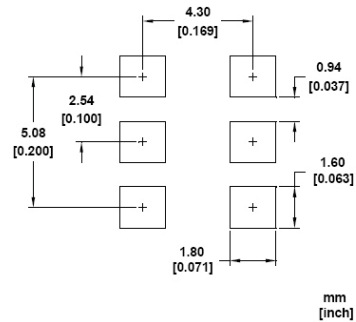
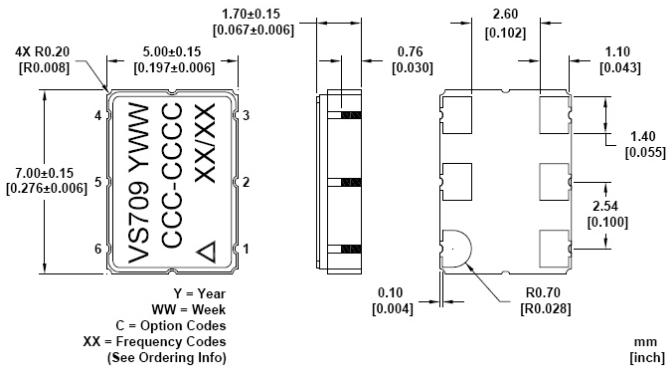
ESD Ratings		
Model	Minimum	Conditions
Human Body Model	1500V	MIL-STD-883, Method 3015
Charged Device Model	1000V	JEDEC, JESD22-C101
Machine Model	200 V	JEDEC, JESD22-A115-A

Reflow Profile (IPC/JEDEC J-STD-020)		
Parameter	Symbol	Value
PreHeat Time	$t_s$	60 sec Min, 180 sec Max
Ramp Up	$R_{UP}$	3 °C/sec Max
Time Above 217 °C	$t_L$	60 sec Min, 150 sec Max
Time To Peak Temperature	$T_{AMB-P}$	480 sec Max
Time at 260 °C	$t_p$	20 sec Min, 40 sec Max
Ramp Down	$R_{DN}$	6 °C/sec Max

The VS-709 has been qualified to meet the JEDEC standard for Pb-Free assembly. The temperatures and time intervals listed are based on the Pb-Free small body requirements. The temperatures refer to the topside of the package, measured on the package body surface. The VS-709 device is hermetically sealed so an aqueous wash is not an issue.

Terminal Plating: Electroless Au > 1.50  $\mu\text{m}$  over  
Electroless Ni > 1.90  $\mu\text{m}$



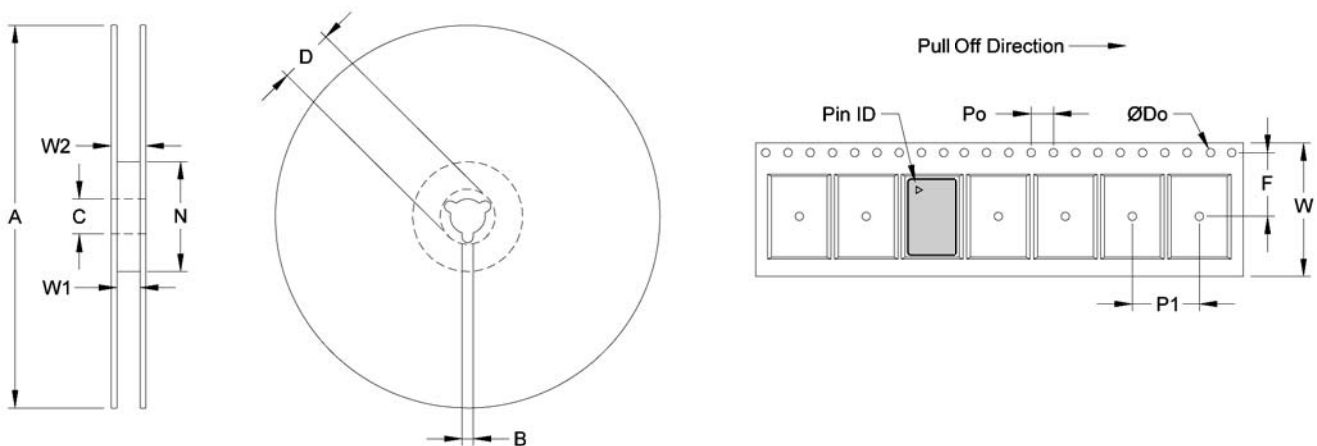


Pin Out		
Pin	Symbol	Function
1	$V_C$	Control Voltage
2	FS	Frequency Select
3	GND	Case and Electrical Ground
4	Output	Output
5	COutput	Complementary Output
6	$V_{CC}$	Power Supply Voltage

Frequency Select (Tri-State LV-CMOS)		
FS	Voltage Range	Result
H	$(5V_{CC} / 6)$ to $V_{CC}$	F2
M	$(V_{CC} / 2) \pm 15\%(V_{CC} / 2)$	OD
L	Gnd to $(V_{CC} / 6)$	F1

LV-CMOS Tri-State Control  
Floating FS Results in OD

## Tape & Reel (EIA-481-2-A)



Tape Dimensions (mm)						Reel Dimensions (mm)							
Dimension	W	F	Do	Po	P1	A	B	C	D	N	W1	W2	# Per Reel
Tolerance	Typ	Typ	Typ	Typ	Typ	Typ	Min	Typ	Min	Min	Typ	Max	
VS-709	16	7.5	1.5	4	8	178	1.5	13	20.2	50	16.4	22.4	200



# VS-709 Dual Frequency VCSO

Standard Frequencies (MHz)					
155.520000 M2	156.250000 M3	161.132813 M4	166.628572 M5	167.331646 N2	168.040678 N3
173.370748 ND	184.320000 NH	307.200000 RX	311.040000 P1	368.640000 RY	614.400000 RG
622.080000 P2	625.000000 P3	644.531250 P4	657.421875 PB	666.514286 P5	669.326582 R3
672.162712 R5	690.569196 R4	693.482991 R6	696.421478 V1	696.614900 V8	697.500000 VV
698.812330 VC	699.426250 VM	707.352650 TC	718.863800 V6	737.280000 TL	753.621100 VN
781.025550 VR	794.727800 VP	802.500000 VW	905.499558 V7		

Other Frequencies Available Upon Request.

## Ordering Information

### VS - 709 - E C E - K A A N - P2 / P4

**Product Family**

VS: VCSO

**Package**

709: 5.0 x 7.0 x 1.8 mm

**Input**

E: 3.3 V

H: 2.5V (Future)

**Output**

C: LVPECL

D: LVDS

**Operating Temperature**

E: -40 to 85 °C

**Frequency 1**

(See Above)

**Frequency 2**

(See Above)

**Other (Future Use)**

N: N/A

**Oscillator Gain**

A: Standard

B: Low

**Control Logic (Tri-State)**

A: L = F1, M = OD, H = F2

**Absolute Pull Range<sup>1</sup>**

K: ± 50 ppm

S: ± 100 ppm

T: ± 120 ppm

**Example1: VS-709-ECE-KAAN-M2/NH**

**Example2: VS-709-EDE-SAAN-R3/R4**

<sup>1</sup>: Note: not all combination of options are available.

## For Additional Information, Please Contact

**USA:**

Vectron International  
267 Lowell Road  
Hudson, NH 03051  
Tel: 1.888.328.7661  
Fax: 1.888.329.8328

**Europe:**

Vectron International  
Landstrasse, D-74924  
Neckarbischofsheim, Germany  
Tel: +49 (0) 3328.4784.17  
Fax: +49 (0) 3328.4784.30

**Asia:**

Vectron International  
1589 Century Avenue, the 19th Floor  
Chamtime International Financial Center  
Shanghai, China  
Tel: 86.21.6081.2888  
Fax: 86.21.6163.3598

**Disclaimer**

Vectron International reserves the right to make changes to the product(s) and or information contained herein without notice. No liability is assumed as a result of their use or application. No rights under any patent accompany the sale of any such product(s) or information.



## Revision History

Revision History		
Date	Approved	Description
06Aug2011	BW	Standard frequency table updated. Codes VP, VV, and VW added.
19Nov2010	BW	Standard frequency table updated. Code VR added.
15Sep2010	BW	Clarified Floating FS Functionality.
16Jul2010	BW	$\pm 120$ ppm APR added to ordering information. Standard frequency table updated.
25Jun2010	BW	Standard frequency table updated.
23Mar2010	BW	Official Release



Компания «ЭлектроПласт» предлагает заключение долгосрочных отношений при поставках импортных электронных компонентов на взаимовыгодных условиях!

Наши преимущества:

- Оперативные поставки широкого спектра электронных компонентов отечественного и импортного производства напрямую от производителей и с крупнейших мировых складов;
- Поставка более 17-ти миллионов наименований электронных компонентов;
- Поставка сложных, дефицитных, либо снятых с производства позиций;
- Оперативные сроки поставки под заказ (от 5 рабочих дней);
- Экспресс доставка в любую точку России;
- Техническая поддержка проекта, помощь в подборе аналогов, поставка прототипов;
- Система менеджмента качества сертифицирована по Международному стандарту ISO 9001;
- Лицензия ФСБ на осуществление работ с использованием сведений, составляющих государственную тайну;
- Поставка специализированных компонентов (Xilinx, Altera, Analog Devices, Intersil, Interpoint, Microsemi, Aeroflex, Peregrine, Syfer, Eurofarad, Texas Instrument, Miteq, Cobham, E2V, MA-COM, Hittite, Mini-Circuits, General Dynamics и др.);

Помимо этого, одним из направлений компании «ЭлектроПласт» является направление «Источники питания». Мы предлагаем Вам помощь Конструкторского отдела:

- Подбор оптимального решения, техническое обоснование при выборе компонента;
- Подбор аналогов;
- Консультации по применению компонента;
- Поставка образцов и прототипов;
- Техническая поддержка проекта;
- Защита от снятия компонента с производства.



#### Как с нами связаться

**Телефон:** 8 (812) 309 58 32 (многоканальный)

**Факс:** 8 (812) 320-02-42

**Электронная почта:** [org@eplast1.ru](mailto:org@eplast1.ru)

**Адрес:** 198099, г. Санкт-Петербург, ул. Калинина, дом 2, корпус 4, литера А.