



FCIconnect.com

Copyright FCI.

### Configuration of Documents

| P/N            | Documents                    | No.                              | Title   | CAT.No.                       |
|----------------|------------------------------|----------------------------------|---|-------------------------------|
| HFW_S-2STE1LF  | Specification Connector dwg. | SC-HFWS03                        | CONNECTOR USED FOR FPC/FFC WITH 1mm CONTACT SPACING COPING WITH AUTOMATIC MOUNTING &SMT | HFW_S-2ST1LF                  |
|                |                              | JSA96464                         | CAT.NO.TABLE FOR 1mm SPACING SMT CONNECTOR  | HFW_S-2ST_LF                  |
|                |                              | JSA96465                         | 1mm SPACING SURFACE MOUNT FPC/FFC CONNECTOR   | HFW_S-2ST_LF                  |
|                |                              | JSA96466                         | CAT. NO. TABLE FOR PLASTIC TAPE PACKAGED 1mm SPACING SMT CONN.                          | HFW_S-2ST1LF                  |
|                | Cable dwg.                   | JSA96467<br>JSA93588<br>JSA93587 | PLASTIC TAPE PACKAGED 1mm SPACING SMT CONNECTOR<br>RECOMMENDED CABLE                    | HFW_S-2ST1LF<br>HFW_S-2ST_    |
| HFW_S-2STAE1LF | Specification Connector dwg. | SC-HFWS06                        | CONNECTOR USED FOR CIC WITH 1mm CONTACT SPACING COPING WITH AUTOMATIC MOUNTING &SMT     | HFW_S-2STAE1LF                |
|                |                              | JSA97359                         | CAT.NO.TABLE FOR 1mm SPACING SMT CONNECTOR  | HFW_S-2STA_LF                 |
|                |                              | JSA97370                         | 1mm SPACING SURFACE MOUNT FPC/FFC CONNECTOR   | HFW_S-2STA_LF                 |
|                |                              | JSA97371                         | CAT. NO. TABLE FOR PLASTIC TAPE PACKAGED 1mm SPACING SMT CONN.                          | HFW_S-2STAE1LF                |
|                | Cable dwg.                   | JSA97372<br>JSA97373             | PLASTIC TAPE PACKAGED 1mm SPACING SMT CONNECTOR<br>RECOMMENDED CABLE                    | HFW_S-2STAE1LF<br>HFW_S-2STA_ |
| HFW_S-2STBE1LF | Specification Connector dwg. | SC-HFWS06                        | CONNECTOR USED FOR CIC WITH 1mm CONTACT SPACING COPING WITH AUTOMATIC MOUNTING &SMT     | HFW_S-2STBE1LF                |
|                |                              | JSA97359                         | CAT.NO.TABLE FOR 1mm SPACING SMT CONNECTOR  | HFW_S-2STB_LF                 |
|                |                              | JSA97360                         | 1mm SPACING SURFACE MOUNT FPC/FFC CONNECTOR   | HFW_S-2STB_LF                 |
|                |                              | JSA97361                         | CAT. NO. TABLE FOR PLASTIC TAPE PACKAGED 1mm SPACING SMT CONN.                          | HFW_S-2STBE1LF                |
|                | Cable dwg.                   | JSA97362<br>JSA97363             | PLASTIC TAPE PACKAGED 1mm SPACING SMT CONNECTOR<br>RECOMMENDED CABLE                    | HFW_S-2STBE1LF<br>HFW_S-2STB_ |
| HFW_S-6STE1LF  | Specification Connector dwg. | SC-HFWS04                        | CONNECTOR USED FOR CIC WITH 1mm CONTACT SPACING COPING WITH AUTOMATIC MOUNTING &SMT     | HFW_S-6STE1LF                 |
|                |                              | JSA96468                         | CAT.NO.TABLE FOR 1mm SPACING SMT CONNECTOR  | HFW_S-6ST_LF                  |
|                |                              | JSA96469                         | 1mm SPACING SURFACE MOUNT CIC CONNECTOR   | HFW_S-6ST_LF                  |
|                |                              | JSA96470                         | CAT. NO. TABLE FOR PLASTIC TAPE PACKAGED 1mm SPACING SMT CONN.                          | HFW_S-6STE1LF                 |
|                | Cable dwg.                   | JSA96471<br>JSA93944             | PLASTIC TAPE PACKAGED 1mm SPACING SMT CONNECTOR<br>RECOMMENDED CABLE                    | HFW_S-6STE1LF<br>HFW_S-6ST_   |

|             |                |     |            |  |                               |                 |  |   |  |              |       |
|-------------|----------------|-----|------------|--|-------------------------------|-----------------|--|---|--|--------------|-------|
| mat'l. code |                |     |            | surface 58 / tolerance ISO 1302 / ISO 406 / ISO 1101 |                               | projection      |  | product family 580F   |  | CODE JP      |       |
| ltr         | ecn no         | dr  | date       | tolerances unless otherwise specified                |                               | mm              |  | title   |  |              |       |
| A           | J05-0334       | H.T | 6/3/05     | angles   | linear                        | scale $\propto$ |  | HFW_S Documents Configuration (1mm Contact Spacing connector) |  |              |       |
| B           | J06-0435       | H.T | 10/26/06   |  |                               |                 |  | dwg no  |  | sheet 1 of 1 |       |
| C           | J07-0481       | H.T | 2007-9-26  |  |                               |                 |  | JSA96472  |  | A4           |       |
| D           | J07-0502       | H.T | 2007-10-10 | dr   | <i>[Signature]</i> 2007-10-10 |                 |  | type Product Customer Drawing                                 |  |              |       |
|             |                |     |            | enr  | <i>[Signature]</i> 2007-10-10 |                 |  |   |  | Rev D        |       |
|             |                |     |            | chr  | <i>[Signature]</i> 2007-10-10 |                 |  |   |  | D            |       |
|             |                |     |            | appd   | <i>[Signature]</i> 2007-10-10 |                 |  |   |  |              |       |
| sheet index | revision sheet | D   | 1          |  |                               |                 |  |   |  |              | Rev D |

form: A4

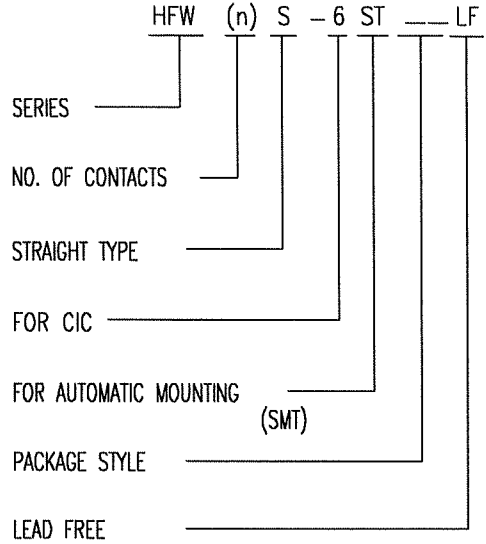
1

2

CAT. NO. & DIMENSIONS

| (NOTE3) | NO. OF CONTACTS (n) | CAT. NO.       | DIMENSIONS (NOTE2) |       |       |       |       |
|---------|---------------------|----------------|--------------------|-------|-------|-------|-------|
|         |                     |                | A±0.2              | B±0.2 | C±0.2 | D±0.2 | E±0.2 |
|         | 4                   | HFW4S-6ST__LF  | 7                  | 5.14  | 3     | —     | —     |
|         | 5                   | HFW5S-6ST__LF  | 8                  | 6.14  | 4     | —     | —     |
|         | 6                   | HFW6S-6ST__LF  | 9                  | 7.14  | 5     | —     | —     |
|         | 7                   | HFW7S-6ST__LF  | 10                 | 8.14  | 6     | —     | —     |
|         | 8                   | HFW8S-6ST__LF  | 11                 | 9.14  | 7     | —     | —     |
|         | 9                   | HFW9S-6ST__LF  | 12                 | 10.14 | 8     | 0.35  | 7.3   |
|         | 10                  | HFW10S-6ST__LF | 13                 | 11.14 | 9     | 0.35  | 8.3   |
|         | 11                  | HFW11S-6ST__LF | 14                 | 12.14 | 10    | 1.35  | 7.3   |
|         | 12                  | HFW12S-6ST__LF | 15                 | 13.14 | 11    | 1.35  | 8.3   |
|         | 13                  | HFW13S-6ST__LF | 16                 | 14.14 | 12    | 2.35  | 7.3   |
|         | 14                  | HFW14S-6ST__LF | 17                 | 15.14 | 13    | 2.35  | 8.3   |
|         | 15                  | HFW15S-6ST__LF | 18                 | 16.14 | 14    | 3.35  | 7.3   |
|         | 16                  | HFW16S-6ST__LF | 19                 | 17.14 | 15    | 3.35  | 8.3   |
|         | 17                  | HFW17S-6ST__LF | 20                 | 18.14 | 16    | 4.35  | 7.3   |
|         | 18                  | HFW18S-6ST__LF | 21                 | 19.14 | 17    | 4.35  | 8.3   |
|         | 19                  | HFW19S-6ST__LF | 22                 | 20.14 | 18    | 5.35  | 7.3   |
|         | 20                  | HFW20S-6ST__LF | 23                 | 21.14 | 19    | 5.35  | 8.3   |
|         | 21                  | HFW21S-6ST__LF | 24                 | 22.14 | 20    | 6.35  | 7.3   |
|         | 22                  | HFW22S-6ST__LF | 25                 | 23.14 | 21    | 6.35  | 8.3   |
|         | 23                  | HFW23S-6ST__LF | 26                 | 24.14 | 22    | 7.35  | 7.3   |
|         | 24                  | HFW24S-6ST__LF | 27                 | 25.14 | 23    | 7.35  | 8.3   |
|         | 25                  | HFW25S-6ST__LF | 28                 | 26.14 | 24    | 8.35  | 7.3   |
|         | 26                  | HFW26S-6ST__LF | 29                 | 27.14 | 25    | 8.35  | 8.3   |
|         | 27                  | HFW27S-6ST__LF | 30                 | 28.14 | 26    | 9.35  | 7.3   |
|         | 28                  | HFW28S-6ST__LF | 31                 | 29.14 | 27    | 9.35  | 8.3   |
|         | 29                  | HFW29S-6ST__LF | 32                 | 30.14 | 28    | 10.35 | 7.3   |
|         | 30                  | HFW30S-6ST__LF | 33                 | 31.14 | 29    | 10.35 | 8.3   |
| *       | 31                  | HFW31S-6ST__LF | 34                 | 32.14 | 30    | 11.35 | 7.3   |
|         | 32                  | HFW32S-6ST__LF | 35                 | 33.14 | 31    | 11.35 | 8.3   |
| *       | 33                  | HFW33S-6ST__LF | 36                 | 34.14 | 32    | 12.35 | 7.3   |

CAT. NO.



NOTES

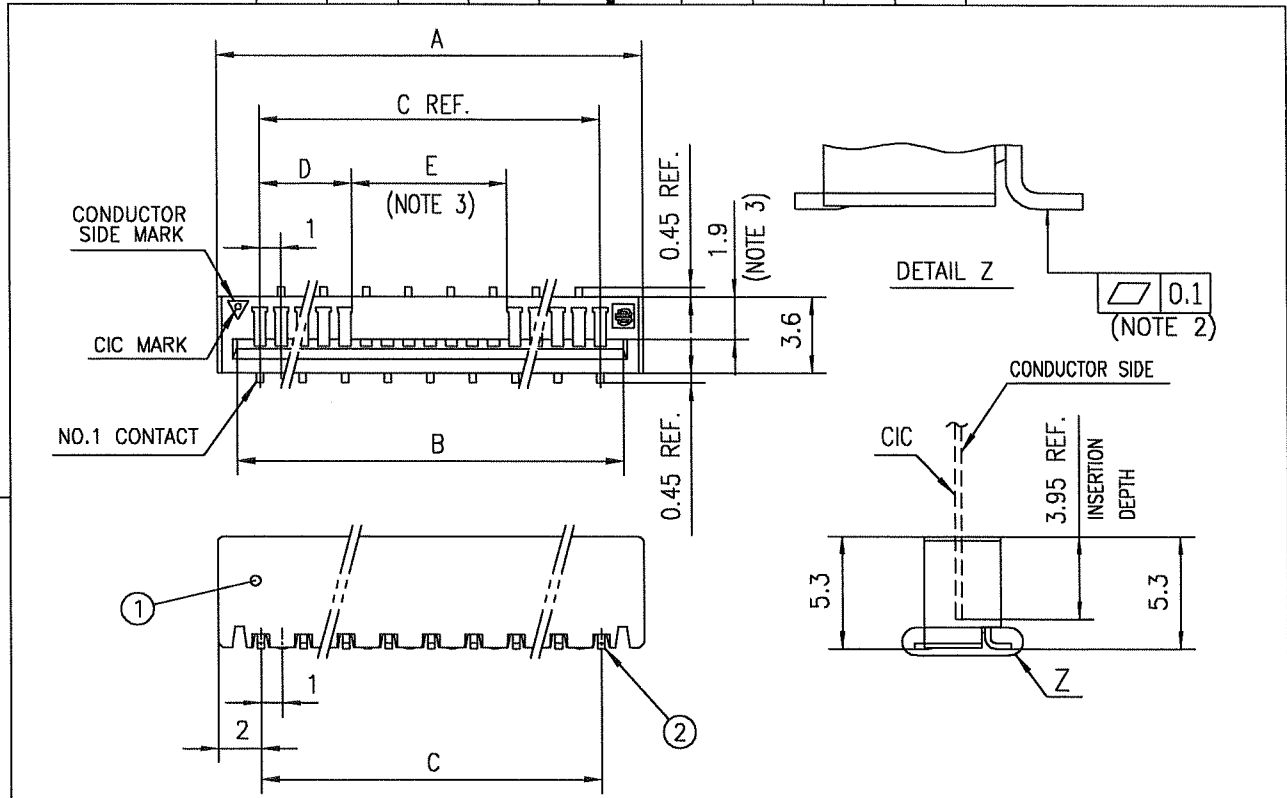
1. THIS PRODUCT IS THE CONNECTOR DESIGNED TO TERMINATE CIC AND COPE WITH AUTOMATIC MOUNTING (SMT).
2. SEE PART DRAWINGS FOR DIMENSIONS A~E.
3. PLEASE CONSULT US IN CASE OF USING PARTS WITH \* MARK.



FCJconnect.com

Copyright FCJ.

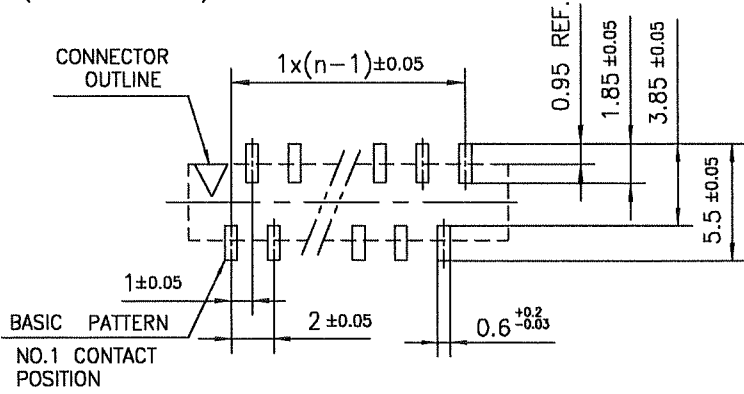
|                         |  |  |  |  |  |            |  |  |  |                      |  |
|-------------------------|--|--|--|--|--|------------|--|--|--|----------------------|--|
| mat'l. code             |  |  |  | surface 58 / tolerance ISO 1302 ✓ / ISO 406 / ISO 1101 |  | projection |  | product family 580F  |  | CODE JP              |  |
| ltr ecn no dr date      |  |  |  | tolerances unless otherwise specified                  |  | mm         |  | title CAT. NO. TABLE FOR 1mm SPACING SMT CONNECTOR (CAT.No.HFW__S-6ST__LF) |  |                      |  |
| A J05-0334 H.T 6/3/05   |  |  |  | angles linear  |  | scale X    |  | dwg no JSA 96468   |  | sheet 1 of 1 size A4 |  |
| B J06-0435 H.T 10/26/06 |  |  |  |  |  |            |  | type Product Customer Drawing  |  |                      |  |
| sheet revision B        |  |  |  |  |  |            |  |  |  | Rev. B               |  |
| index sheet 1           |  |  |  |  |  |            |  |  |  |                      |  |



| PT. NO. | PARTS NAME | MATERIAL                              | Q'TY | NOTE                            |
|---------|------------|---------------------------------------|------|---------------------------------|
| 1       | HOUSING    | PA6T RESIN GLASS REINFORCED (UL94V-0) | 1    | COLOR : BLACK                   |
| 2       | CONTACT    | PHOSPHOR BRONZE                       | n    | Ni UNDER Sn PLATING (LEAD FREE) |

n : NO. OF CONTACTS

**RECOMMENDED PC BOARD LAYOUT  
(COMPONENT SIDE)**



**NOTES**

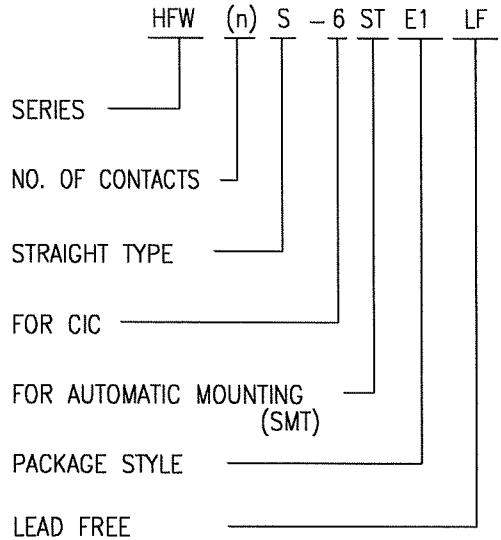
1. THIS PRODUCT IS THE CONNECTOR DESIGNED TO TERMINATE CIC AND COPE WITH AUTOMATIC MOUNTING (SMT).
2. FLATNESS OF CONTACT TERMINAL MUST BE WITHIN TOLERANCE IN Z PORTION DETAILED DRAWING.
3. THIS DIMENSION IS SPACE FOR THE NOZZLE OF MOUNTER.
4. THIS PRODUCT MEETS EUROPEAN UNION DIRECTIVES AND OTHER COUNTRY REGULATIONS AS DESCRIBED IN GS-22-008
5. THE HOUSING WILL WITHSTAND EXPOSURE TO 260°C PEAK TEMPERATURE FOR 10 SECONDS IN A REFLOW SOLDERING OVEN.

|             |          |     |           |                                       |                                  |                |  |            |
|-------------|----------|-----|-----------|---------------------------------------|----------------------------------|----------------|--|------------|
| mat'l. code |          |     |           | surface 58<br>ISO 1302                | tolerance<br>ISO 406<br>ISO 1101 | projection<br> | product family<br>580F   | CODE<br>JP |
| ltr         | ecn no   | dr  | date      | tolerances unless otherwise specified |                                  | mm<br>         | title<br>1mm SPACING SURFACE MOUNT<br>CIC CONNECTOR<br>(CAT.No.HFW__S-6ST__LF) |            |
| A           | J05-0334 | H.T | 6/3/'05   | angles                                | linear ±0.2                      |                |  |            |
| B           | J05-0731 | H.T | 10/28/'05 |                                       |                                  |                |  |            |
| C           | J06-0435 | H.T | 10/26/'06 |                                       |                                  | scale X        | dwg no sheet 1 of 1 size   |            |
|             |          |     |           | dr                                    | H. [Signature]                   | 10/26/06       | JSA 96469 A4   |            |
|             |          |     |           | enr                                   | H. [Signature]                   | 10/26/06       |  |            |
|             |          |     |           | chr                                   | R. [Signature]                   | 10/26/06       |  |            |
|             |          |     |           | appd                                  | S. [Signature]                   | 10/27/06       |  |            |
| sheet index | revision | C   |           |                                       |                                  |                | type Product Customer Drawing  |            |
|             | sheet    | 1   |           |                                       |                                  |                | Rev. C   |            |

CAT. NO. & DIMENSIONS

| (NOTE4) | NO. OF CONTACTS (n) | CAT. NO. (NOTE2) | DIMENSIONS (NOTE3) |        |        |
|---------|---------------------|------------------|--------------------|--------|--------|
|         |                     |                  | F ± 5              | G ±0.3 | H ±0.1 |
|         | 4                   | HFW4S-6STE1LF    | 28.4               | 24     | —      |
|         | 5                   | HFW5S-6STE1LF    | 28.4               | 24     | —      |
|         | 6                   | HFW6S-6STE1LF    | 28.4               | 24     | —      |
|         | 7                   | HFW7S-6STE1LF    | 28.4               | 24     | —      |
|         | 8                   | HFW8S-6STE1LF    | 28.4               | 24     | —      |
|         | 9                   | HFW9S-6STE1LF    | 28.4               | 24     | —      |
|         | 10                  | HFW10S-6STE1LF   | 28.4               | 24     | —      |
|         | 11                  | HFW11S-6STE1LF   | 28.4               | 24     | —      |
|         | 12                  | HFW12S-6STE1LF   | 28.4               | 24     | —      |
|         | 13                  | HFW13S-6STE1LF   | 28.4               | 24     | —      |
|         | 14                  | HFW14S-6STE1LF   | 36.4               | 32     | 28.4   |
|         | 15                  | HFW15S-6STE1LF   | 36.4               | 32     | 28.4   |
|         | 16                  | HFW16S-6STE1LF   | 36.4               | 32     | 28.4   |
|         | 17                  | HFW17S-6STE1LF   | 36.4               | 32     | 28.4   |
|         | 18                  | HFW18S-6STE1LF   | 48.4               | 44     | 40.4   |
|         | 19                  | HFW19S-6STE1LF   | 48.4               | 44     | 40.4   |
|         | 20                  | HFW20S-6STE1LF   | 48.4               | 44     | 40.4   |
|         | 21                  | HFW21S-6STE1LF   | 48.4               | 44     | 40.4   |
|         | 22                  | HFW22S-6STE1LF   | 48.4               | 44     | 40.4   |
|         | 23                  | HFW23S-6STE1LF   | 48.4               | 44     | 40.4   |
|         | 24                  | HFW24S-6STE1LF   | 48.4               | 44     | 40.4   |
|         | 25                  | HFW25S-6STE1LF   | 48.4               | 44     | 40.4   |
|         | 26                  | HFW26S-6STE1LF   | 48.4               | 44     | 40.4   |
|         | 27                  | HFW27S-6STE1LF   | 48.4               | 44     | 40.4   |
|         | 28                  | HFW28S-6STE1LF   | 48.4               | 44     | 40.4   |
|         | 29                  | HFW29S-6STE1LF   | 60.4               | 56     | 52.4   |
|         | 30                  | HFW30S-6STE1LF   | 60.4               | 56     | 52.4   |
| *       | 31                  | HFW31S-6STE1LF   | 60.4               | 56     | 52.4   |
|         | 32                  | HFW32S-6STE1LF   | 60.4               | 56     | 52.4   |
| *       | 33                  | HFW33S-6STE1LF   | 60.4               | 56     | 52.4   |

CAT. NO.



NOTES

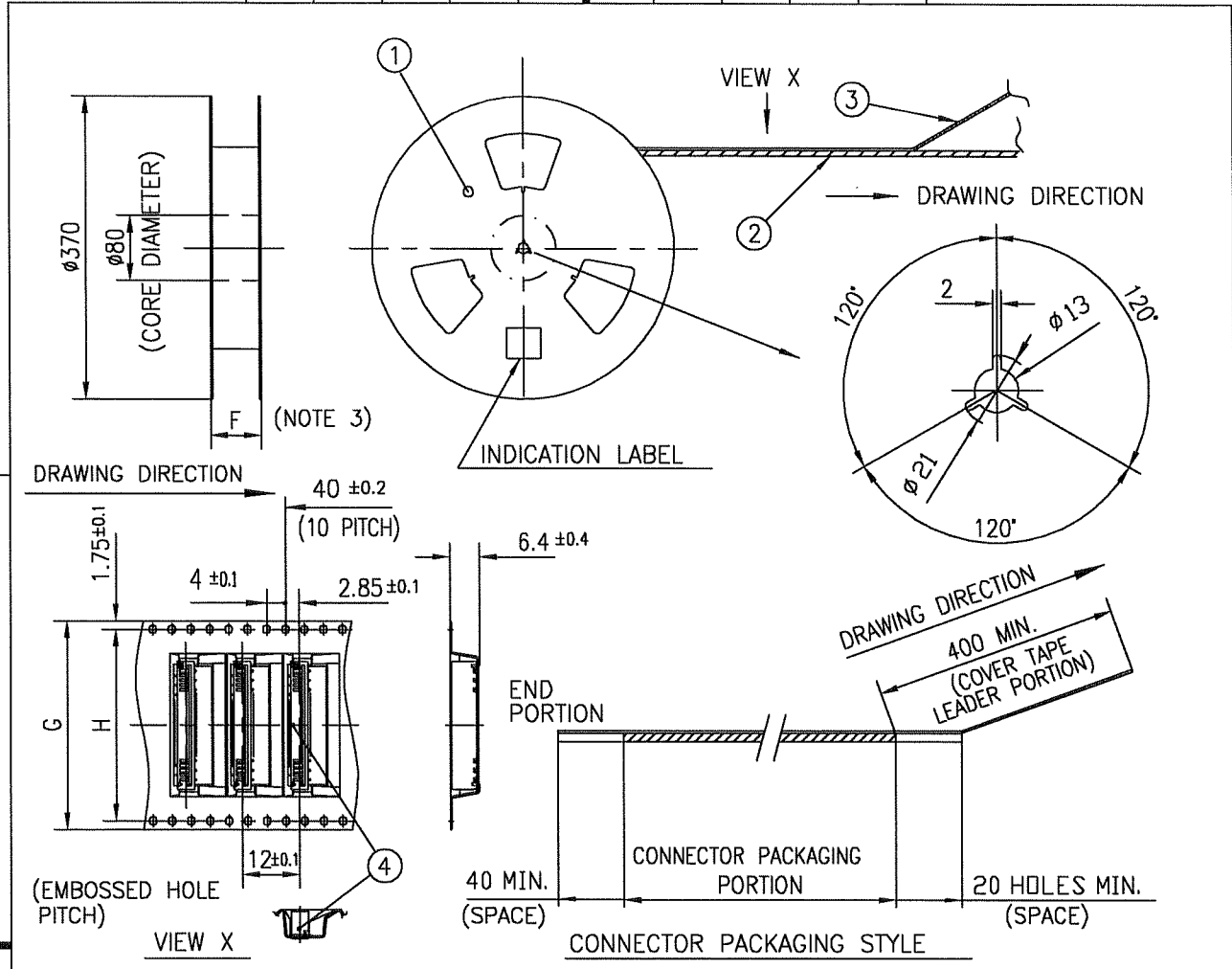
1. THIS PRODUCT IS THE CONNECTOR DESIGNED TO TERMINATE CIC AND COPE WITH AUTOMATIC MOUNTING (SMT).
2. THIS CATALOG NO. INDICATES PLASTIC TAPE PACKAGED CONNECTOR.
3. SEE PART DRAWINGS FOR DIMENSIONS F~G.
4. PLEASE CONSULT US IN CASE OF USING PARTS WITH \* MARK.



FCIconnect.com

Copyright FCI.

|             |                |     |           |  |  |            |  |   |  |                   |  |         |
|-------------|----------------|-----|-----------|--|--|------------|--|---|--|-------------------|--|---------|
| mat'l. code |                |     |           | surface 58 / tolerance ISO 1302 ✓ / ISO 406 / ISO 1101 |  | projection |  | product family 580F   |  | CODE JP           |  |         |
| ltr         | ecn no         | dr  | date      | tolerances unless otherwise specified                  |  |            |  | title   |  |                   |  |         |
| A           | J05-0334       | H.T | 6/3/'05   | angles linear  |  |            |  | CAT. NO. TABLE FOR PLASTIC TAPE PACKAGED 1mm SPACING SMT CONN. (CAT.No. HFW__S-6STE1LF) |  |                   |  |         |
| B           | J06-0435       | H.T | 10/26/'06 |  |  |            |  | mm  |  |                   |  | scale X |
|             |                |     |           | dr   |  | 10/26/06   |  | dwg no  |  | sheet 1 of 1 size |  |         |
|             |                |     |           | enr  |  | 10/26/06   |  | JSA 96470   |  | A4                |  |         |
|             |                |     |           | chr  |  | 10/24/06   |  | type Product Customer Drawing   |  |                   |  |         |
|             |                |     |           | app  |  | 10/27/06   |  |   |  |                   |  |         |
| sheet index | revision sheet | B   | 1         |  |  |            |  |   |  |                   |  | Rev. B  |



| PT. NO. | PARTS NAME            | CAT. NO.        | MATERIAL          | Q'TY  | NOTE               |
|---------|-----------------------|-----------------|-------------------|-------|--------------------|
| 1       | REEL                  | _____           | CARDBOARD         | 1     | COLOR:GRAY         |
| 2       | PLASTIC (EMBOSS) TAPE | _____           | PET               | _____ | COLOR:TRANSPARENCY |
| 3       | COVER                 | _____           | POLYESTER         | _____ | COLOR:TRANSPARENCY |
| 4       | CONNECTOR             | HFWS__S-6ST__LF | SEE ATTACHED DWG. | 1000  | _____              |

NOTES

1. THIS IS PLASTIC TAPE PACKAGED CONNECTOR USED FOR CIC AND COPEs WITH AUTOMATIC MOUNTING (SMT).
2. SEE JIS C 0806 (PACKING OF ELECTRONIC COMPONENTS ON CONTINUOUS TAPES (SURFACE MOUNTING DEVICES)) FOR SHAPE AND DIMENSIONS OF PLASTIC (EMBOSS) TAPE AND REEL.
3. F DIMENSION IS PORTION OF THE CORE.

|             |                |     |           |                                       |                                  |                |   |            |
|-------------|----------------|-----|-----------|---------------------------------------|----------------------------------|----------------|---|------------|
| mat'l. code |                |     |           | surface 58<br>ISO 1302                | tolerance<br>ISO 406<br>ISO 1101 | projection<br> | product family<br>580F  | CODE<br>JP |
| ltr         | ecn no         | dr  | date      | tolerances unless otherwise specified |                                  | mm             | title<br>PLASTIC TAPE PACKAGED<br>1mm SPACING SMT CONNECTOR<br>(CAT.No.HFWS__S-6STE1LF) |            |
| A           | J05-0334       | H.T | 6/3/'05   | angles                                | linear                           |                |   |            |
| B           | J06-0435       | H.T | 10/26/'06 | ±5'                                   |                                  | scale          | dwg no  |            |
|             |                |     |           | dr                                    | <i>H. Sudann</i>                 | 10/26/06       | sheet 1 of 1 size   |            |
|             |                |     |           | enr                                   | <i>H. Sudann</i>                 | 10/26/06       | JSA 96471   |            |
|             |                |     |           | chr                                   | <i>R. Shouge</i>                 | 10/26/06       | A4  |            |
|             |                |     |           | app                                   | <i>S. Sudann</i>                 | 10/27/06       | type Product Customer Drawing   |            |
| sheet index | revision sheet | B   | 1         |                                       |                                  |                |   | Rev. B     |



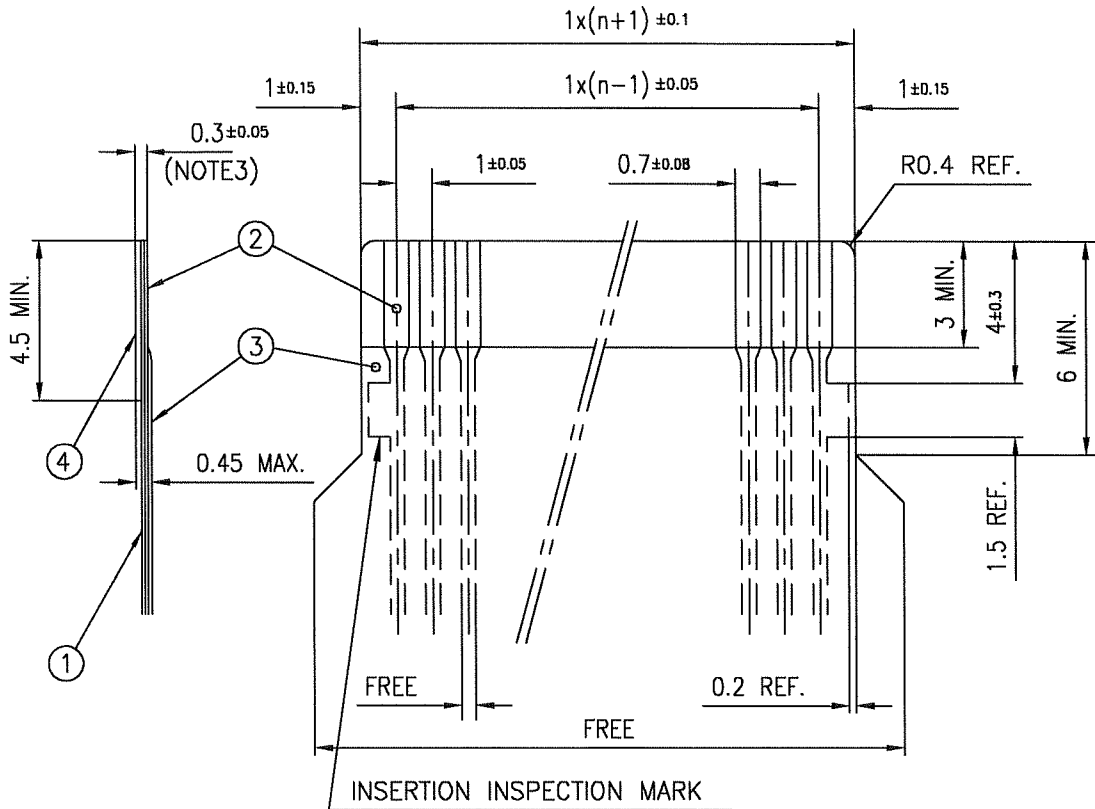
FCIconnect.com

Copyright FCI.



RECOMMENDED CABLE (CIC)

n : NO. OF CONDUCTOR



| PT. NO. | PARTS NAME      | MATERIAL                        | THICKNESS (μm) |     |
|---------|-----------------|---------------------------------|----------------|-----|
| 1       | BASE FILM       | POLYESTER OR EQUAL              | 75             | 25  |
| 2       | CONDUCTOR       | CARBON PASTE OVER SILVER PASTE  | 10 MIN.        |     |
| 3       | OVERLAY         | POLYIMIDE OR POLYESTER OR EQUAL | —              |     |
| 4       | SUPPORTING TAPE | POLYESTER OR POLYIMIDE OR EQUAL | 188            | 250 |

NOTES

1. NO BURR AT EACH PORTION.
2. NO PEELING IN COMMON USE.
3. TOTAL THICKNESS LIMIT OF EACH MATERIAL (INCLUDING ADHESIVE AGENT) IS SPECIFIED.

|             |                |     |            |  |                   |            |  |                       |           |         |                          |         |
|-------------|----------------|-----|------------|--|-------------------|------------|--|-----------------------|-----------|---------|--------------------------|---------|
| mat'l. code |                |     |            | surface 58 / tolerance ISO 1302 ✓ ISO 406 ISO 1101 |                   | projection |  | product family 580F   |           | CODE JP |                          |         |
| ltr         | ecn no         | dr  | date       | tolerances unless otherwise specified              |                   | mm         |  | title                 |           |         |                          |         |
| AA          | J04-0334       | H.T | Oct.13,'04 |  |                   | mm         |  | RECOMMENDED CABLE     |           |         |                          |         |
| AB          | J06-0435       | H.T | 10/26/'06  | angles   | linear            | scale X    |  | (CAT.No.HFW__S-6ST__) |           |         |                          |         |
|             |                |     |            | dr   | <i>H. Saito</i>   | 10/26/06   |  |                       | dwg no    |         | sheet 1 of 1             | size    |
|             |                |     |            | enr  | <i>H. Saito</i>   | 10/26/06   |  |                       | JSA 93944 |         | A4                       |         |
|             |                |     |            | chr  | <i>R. Shouji</i>  | 10/26/06   |  |                       | type      |         | Product Customer Drawing |         |
|             |                |     |            | appd   | <i>S. Nishida</i> | 10/27/06   |  |                       |           |         |                          |         |
| sheet index | revision sheet | AB  | 1          |  |                   |            |  |                       |           |         |                          | Rev. AB |



Компания «ЭлектроПласт» предлагает заключение долгосрочных отношений при поставках импортных электронных компонентов на взаимовыгодных условиях!

Наши преимущества:

- Оперативные поставки широкого спектра электронных компонентов отечественного и импортного производства напрямую от производителей и с крупнейших мировых складов;
- Поставка более 17-ти миллионов наименований электронных компонентов;
- Поставка сложных, дефицитных, либо снятых с производства позиций;
- Оперативные сроки поставки под заказ (от 5 рабочих дней);
- Экспресс доставка в любую точку России;
- Техническая поддержка проекта, помощь в подборе аналогов, поставка прототипов;
- Система менеджмента качества сертифицирована по Международному стандарту ISO 9001;
- Лицензия ФСБ на осуществление работ с использованием сведений, составляющих государственную тайну;
- Поставка специализированных компонентов (Xilinx, Altera, Analog Devices, Intersil, Interpoint, Microsemi, Aeroflex, Peregrine, Syfer, Eurofarad, Texas Instrument, Miteq, Cobham, E2V, MA-COM, Hittite, Mini-Circuits, General Dynamics и др.);

Помимо этого, одним из направлений компании «ЭлектроПласт» является направление «Источники питания». Мы предлагаем Вам помощь Конструкторского отдела:

- Подбор оптимального решения, техническое обоснование при выборе компонента;
- Подбор аналогов;
- Консультации по применению компонента;
- Поставка образцов и прототипов;
- Техническая поддержка проекта;
- Защита от снятия компонента с производства.



#### Как с нами связаться

**Телефон:** 8 (812) 309 58 32 (многоканальный)

**Факс:** 8 (812) 320-02-42

**Электронная почта:** [org@eplast1.ru](mailto:org@eplast1.ru)

**Адрес:** 198099, г. Санкт-Петербург, ул. Калинина, дом 2, корпус 4, литера А.