

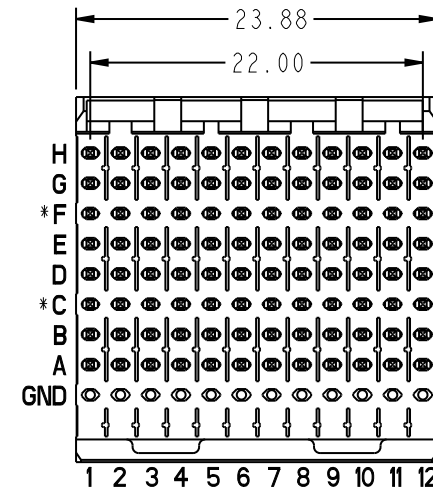
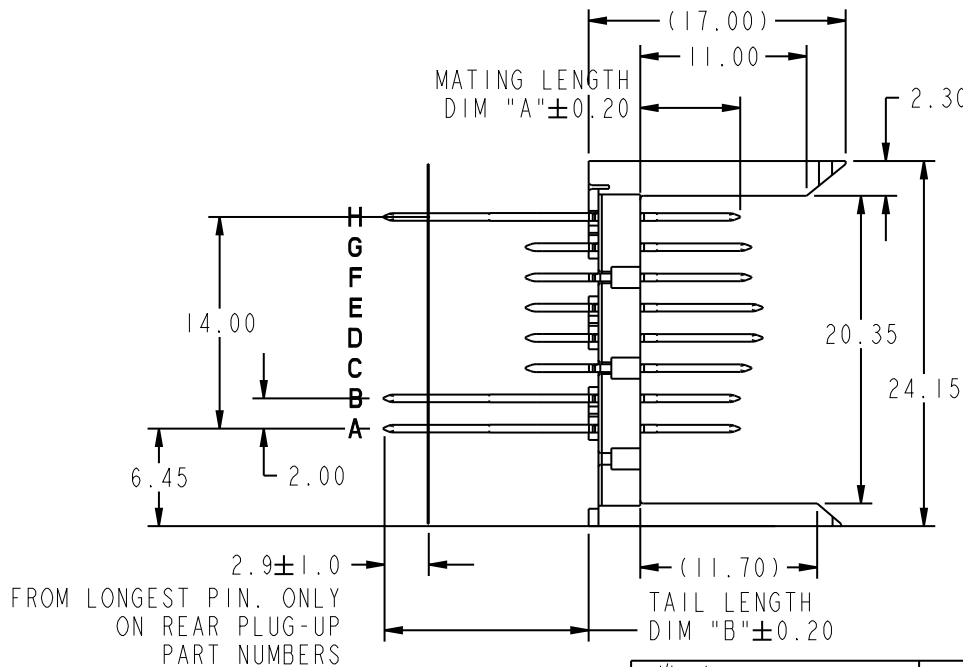
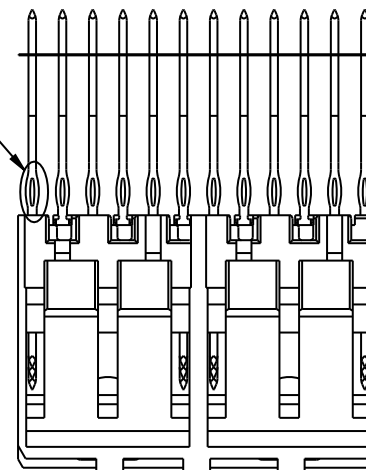


This document is the property of and embodies  
 CONFIDENTIAL and PROPRIETARY information of FCI.  
 No part of the information shown on this  
 document may be used in any way or disclosed  
 to others without the written consent of FCI.  
 Copyright FCI.

PRODUCT NUMBER	PLATING PERFORMANCE LEVEL
98030-1YYY	TELCORDIA CO
98030-1YYYYLF	TELCORDIA CO
98030-5YYY	TELCORDIA UE
98030-5YYYYLF	TELCORDIA UE



DETAIL A  
 SCALE 4:1  
 SEE NOTE 14



mat'l code SEE NOTE 3				tolerances unless otherwise specified			CUSTOMER	FCI	
ltr	ecn no.	dr	date	linear	0.X ± 0.3		COPY	www.fciconnect.com	
T	V06-0573	DCH	2006-06-14		0.XX ± 0.13		projection	title VERTICAL SIGNAL HDR 8 ROW	
U	V07-0168	DCH	2007-03-23		.XXX ± 0.051			P.F. 96 POS. SELECT LOAD EXT.	
V	V08-0030	HTB	2008-02-23	angles	0° ± 2°			product family METRAL code	
W	V08-0066	LP	2008-03-24	dr	E. KROPER.	2001-01-15		size	
X	109-0280	RKV	2009-12-15	enrg	J. VOLSTORF	2001-01-15		dwg no	
-	-	-	-	chr	RAJKRISHNAN.V	2009-12-15	scale 1:1 A	98030	
-	-	-	-	appd	BIJU K PAUL	2009-12-15		213	
sheet index	revision sheet	X 1	X 2	X 3	X 4	X 5	X 6	sheet 1 of 6	

PIN NO.	DIM A MATING LENGTH	DIM B TAIL LENGTH	PCB THICKNESS RANGE ACCOMMODATED BY PIN'S TAIL LENGTH
			ROWS A,B,C,D,E,F,G, & H
01*	5.00	4.30	1.60 MIN
22		12.20	2.95 - 3.80
30		12.95	2.95 - 4.55
05		13.70	2.95 - 5.30
35		14.45	3.05 - 6.05
48		15.20	3.80 - 6.80
40		15.70	4.30 - 7.30
65		16.40	5.00 - 8.00
09		17.10	5.70 - 8.70
02*	5.75	4.30	1.60 MIN
44		12.20	2.95 - 3.80
31		12.95	2.95 - 4.55
06		13.70	2.95 - 5.30
36		14.45	3.05 - 6.05
49		15.20	3.80 - 6.80
25		15.70	4.30 - 7.30
66		16.40	5.00 - 8.00
10		17.10	5.70 - 8.70
03*	6.50	4.30	1.60 MIN
45		12.20	2.95 - 3.80
32		12.95	2.95 - 4.55
07		13.70	2.95 - 5.30
37		14.45	3.05 - 6.05
50		15.20	3.80 - 6.80
41		15.70	4.30 - 7.30
24		16.40	5.00 - 8.00
11		17.10	5.70 - 8.70

PIN NO.	DIM A MATING LENGTH	DIM B TAIL LENGTH	PCB THICKNESS RANGE ACCOMMODATED BY PIN LENGTH
			ROWS A,B,C,D,E,F,G & H
04*	7.25	4.30	1.60 MIN
46		12.20	2.95 - 3.80
33		12.95	2.95 - 4.55
08		13.70	2.95 - 5.30
38		14.45	3.05 - 6.05
51		15.20	3.80 - 6.80
42		15.70	4.30 - 7.30
67		16.40	5.00 - 8.00
12		17.10	5.70 - 8.70
19*	8.00	4.30	1.60 MIN
47		12.20	2.95 - 3.80
34		12.95	2.95 - 4.55
20		13.70	2.95 - 5.30
39		14.45	3.05 - 6.05
52		15.20	3.80 - 6.80
43		15.70	4.30 - 7.30
68		16.40	5.00 - 8.00
21		17.10	5.70 - 8.70

\* STUB PINS - NO REAR PLUG-UP



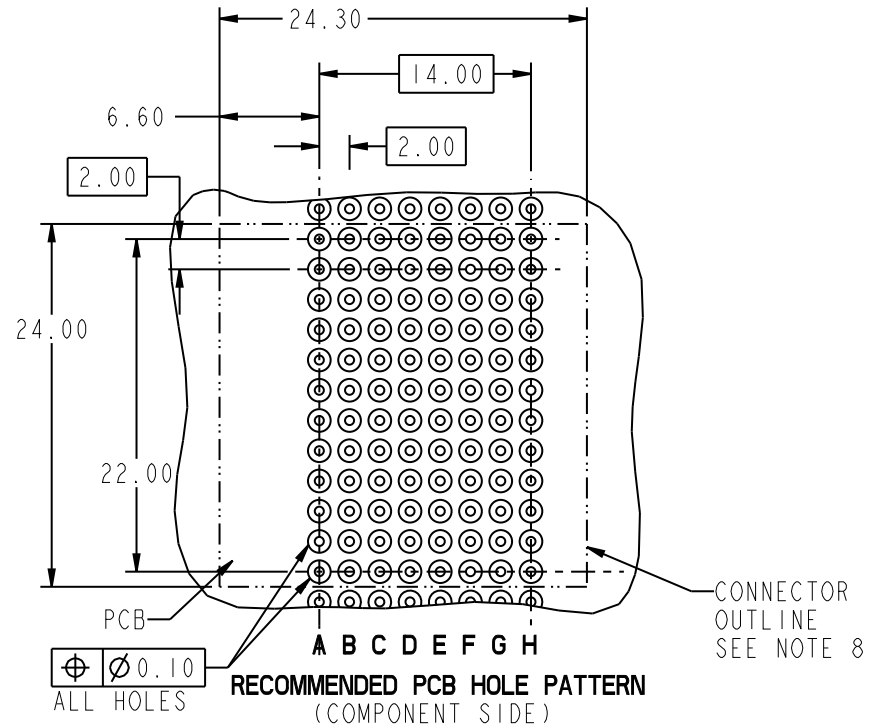
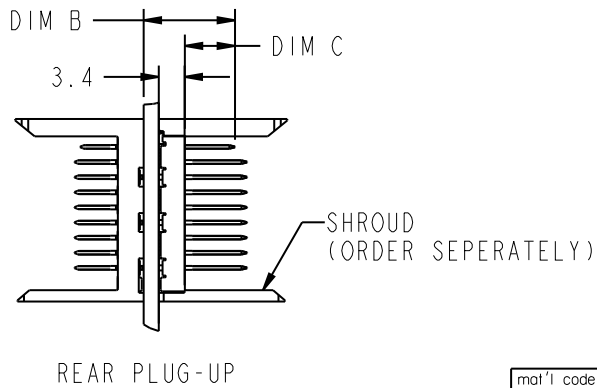
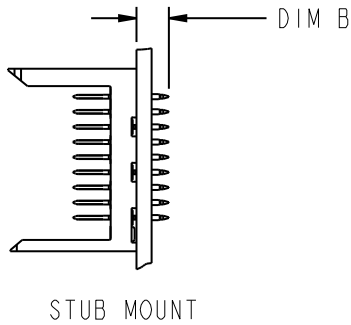
This document is the property of and embodies CONFIDENTIAL and PROPRIETARY information of FCI. No part of the information shown on this document may be used in any way or disclosed to others without the written consent of FCI. Copyright FCI.

mat'l code SEE NOTE 3		tolerances unless otherwise specified		CUSTOMER		www.fciconnect.com	
ltr	ecn no.	dr	date	linear	0.X ±0.3	COPY	
X				linear	0.XX ±0.13	projection	title
				angles	.XXX ±.051		VERTICAL SIGNAL HDR 8 ROW P.F. 96 POS. SELECT LOAD EXT.
				dr	0° ±2°	MM	product family
				enr	E. KROPER. 2001-01-15	← MM →	METRAL
				chr	J. VOLSTORF 2001-01-15	scale	code
				appd	RAJKRISHNAN.V 2009-12-15	1:1	213
sheet index	revision sheet				BIJU K PAUL 2009-12-15	A	size
							dwg no
							98030
							sheet
							2

cage code 22526

PRODUCT NUMBER  
SEE SHEET 1

PRESS-FIT HOLES	OPTION 1
HOLE DIAMETER AFTER PLATING	Ø 0.65-0.80
DRILLED HOLE	Ø 0.81-0.86 (Ø 0.85 DRILL)
COPPER PLATING	0.025 MIN
SnPb PLATING	0.005-0.015



SEE PRINT 58351 FOR  
ADDITIONAL PCB INFORMATION

mat'l code SEE NOTE 3				tolerances unless otherwise specified		CUSTOMER		FCJ www.fciconnect.com			
ltr	ecn no.	dr	date	linear	0.X ±0.3	COPY		projection	title VERTICAL SIGNAL HDR 8 ROW P.F. 96 POS. SELECT LOAD EXT.		
X					0.XX ±0.13	MM				product family	code
					0.XXX ±0.051	1:1				METRAL	213
				angles	0° ±2°	scale		size	sheet		
				dr	E. KROPER. 2001-01-15			dwg no	3		
				enr	J. VOLSTORF 2001-01-15			A	98030		
				chr	RAJKRISHNAN.V 2009-12-15						
				appd	BIJU K PAUL 2009-12-15						
sheet index	revision sheet							cage code	22526		

This document is the property of and embodies  
CONFIDENTIAL and PROPRIETARY information of FCJ.  
No part of the information shown on this  
document may be used in any way or disclosed  
to others without the written consent of FCJ.  
Copyright FCJ.



This document is the property of and embodies CONFIDENTIAL and PROPRIETARY information of FCI. No part of the information shown on this document may be used in any way or disclosed to others without the written consent of FCI. Copyright FCI.

1   2													3													4																			
METRAL P/N		CONTACT CODE											METRAL P/N		CONTACT CODE											METRAL P/N		CONTACT CODE																	
ROW		1	2	3	4	5	6	7	8	9	10	11	12	ROW		1	2	3	4	5	6	7	8	9	10	11	12	ROW		1	2	3	4	5	6	7	8	9	10	11	12				
98030-X001 SEE NOTE 13 LEAD FREE OPTION		H	03	03	03	03	03	03	03	03	03	03	-	98030-X005 SEE NOTE 13 LEAD FREE OPTION		H	02	02	02	02	02	02	02	02	02	02	02	02	02	98030-X009 SEE NOTE 13 LEAD FREE OPTION		H	01	03	03	03	03	03	03	03	03	03	03	03	03
		G	04	04	04	04	04	04	04	04	04	04	04			G	02	02	02	02	02	02	02	02	02	02	02	02			G	01	03	03	03	03	03	03	03	03	03	03	03		
		F	04	04	04	04	04	04	04	04	04	04	04			F	02	02	02	02	02	02	02	02	02	02	02	02			F	01	03	03	03	03	03	03	03	03	03	03	03		
		E	19	19	19	19	19	19	19	19	19	19	19			E	02	02	02	02	02	02	02	02	02	01	02	02			E	01	03	03	03	03	03	03	03	03	03	03	03		
		D	19	19	19	19	19	19	19	19	19	19	19			D	02	02	02	02	02	02	02	02	02	02	02	02			D	01	03	03	03	03	03	03	03	03	03	03	03		
		C	04	04	04	04	04	04	04	04	04	04	04			C	02	02	02	02	02	02	02	02	02	02	02	02			C	01	03	03	03	03	03	03	03	03	03	03	03		
		B	03	03	03	03	03	03	03	03	03	03	03			B	02	02	02	02	02	02	02	02	02	02	02	02			B	01	03	03	03	03	03	03	03	03	03	03	03		
		A	03	03	03	03	03	03	03	03	03	03	03			A	02	02	02	02	02	02	02	02	02	02	02	02			A	01	03	03	03	03	03	03	03	03	03	03	03		
		GND	-	-	-	-	-	-	-	-	-	-	-			GND	-	-	-	-	-	-	-	-	-	-	-	-			GND	-	-	-	-	-	-	-	-	-	-	-	-		
98030-X002 SEE NOTE 13 LEAD FREE OPTION		H	04	04	04	04	04	-	04	-	04	04	-	98030-X006 SEE NOTE 13 LEAD FREE OPTION		H	03	03	03	03	04	04	04	02	02	02	02	02	98030-X010 SEE NOTE 13 LEAD FREE OPTION		H	03	03	03	03	03	03	03	03	03	03	03	01		
		G	03	03	03	03	03	-	03	-	03	03	-			G	03	03	03	03	04	04	04	02	02	02	02	02			G	03	03	03	03	03	03	03	03	03	03	03	01		
		F	03	03	03	03	03	-	03	-	03	03	-			F	03	03	03	03	04	04	04	02	02	02	02	02			F	03	03	03	03	03	03	03	03	03	03	03	01		
		E	02	02	02	02	02	-	02	-	02	02	-			E	03	03	03	03	04	04	04	02	02	01	02	02			E	03	03	03	03	03	03	03	03	03	03	03	01		
		D	02	02	02	02	02	-	02	-	02	02	-			D	03	03	03	03	04	04	04	02	02	02	02	02			D	03	03	03	03	03	03	03	03	03	03	03	01		
		C	03	03	03	03	03	-	03	-	03	03	-			C	03	03	03	03	04	04	04	02	02	02	02	02			C	03	03	03	03	03	03	03	03	03	03	03	01		
		B	04	04	04	04	04	-	04	-	04	04	-			B	03	03	03	03	04	04	04	02	02	02	02	02			B	03	03	03	03	03	03	03	03	03	03	03	01		
		A	04	04	04	04	04	-	04	-	04	04	-			A	03	03	03	03	04	04	04	02	02	02	02	02			A	03	03	03	03	03	03	03	03	03	03	03	01		
		GND	-	-	-	-	-	-	-	-	-	-	-			GND	-	-	-	-	-	-	-	-	-	-	-	-			GND	-	-	-	-	-	-	-	-	-	-	-	-		
98030-X003 SEE NOTE 13 LEAD FREE OPTION		H	04	04	-	-	04	04	04	04	04	04	04	98030-X007 *RPU SEE NOTE 13 LEAD FREE OPTION		H	07	07	07	07	08	08	08	06	06	06	06	06	98030-X011 * SEE NOTE 13 LEAD FREE OPTION		H	30	37	37	37	37	37	37	37	37	37	37	37		
		G	03	03	-	-	03	03	03	03	03	03	03			G	07	07	07	07	08	08	08	06	06	06	06	06			G	37	37	37	37	37	37	37	37	37	37	37	37		
		F	03	03	-	-	03	03	03	03	03	03	03			F	07	07	07	07	08	08	08	06	06	06	06	06			F	37	37	37	37	37	37	37	37	37	37	37	37		
		E	02	02	-	-	02	02	02	02	02	02	02			E	07	07	07	07	08	08	08	06	06	06	06	06			E	51	37	37	37	37	37	37	37	37	37	37	37		
		D	02	02	-	-	02	02	02	02	02	02	02			D	07	07	07	07	08	08	08	06	06	06	06	06			D	51	37	37	37	37	37	37	37	37	37	37	37		
		C	03	03	-	-	03	03	03	03	03	03	03			C	07	07	07	07	08	08	08	06	06	06	06	06			C	37	37	37	37	37	37	37	37	37	37	37	37		
		B	04	04	-	-	04	04	04	04	04	04	04			B	07	07	07	07	08	08	08	06	06	06	06	06			B	37	37	37	37	37	37	37	37	37	37	37	37		
		A	04	04	-	-	04	04	04	04	04	04	04			A	07	07	07	07	08	08	08	06	06	06	06	06			A	30	37	37	37	37	37	37	37	37	37	37	37		
		GND	-	-	-	-	-	-	-	-	-	-	-			GND	-	-	-	-	-	-	-	-	-	-	-	-			GND	-	-	-	-	-	-	-	-	-	-	-	-		
98030-X004 SEE NOTE 13 LEAD FREE OPTION		H	-	01	01	-	01	01	-	01	01	-	01	01	98030-X008 SEE NOTE 13 LEAD FREE OPTION		H	02	02	02	02	02	02	02	02	02	02	02	02	98030-X012 SEE NOTE 13 LEAD FREE OPTION		H	-	02	-	02	-	02	-	02	-	02	-	02	
		G	-	01	01	-	01	01	-	01	01	-	01	01			G	02	02	02	02	02	02	02	02	02	02	02	02			G	02	-	02	-	02	-	02	-	02	-	02	-	
		F	-	01	01	-	01	01	-	01	01	-	01	01			F	02	02	02	02	02	02	02	02	02	02	02	02			F	-	02	-	02	-	02	-	02	-	02	-	02	
		E	-	01	01	-	01	01	-	01	01	-	01	01			E	02	02	02	02	02	02	02	02	02	02	02	02			E	02	-	02	-	02	-	02	-	02	-	02	-	
		D	-	01	01	-	01	01	-	01	01	-	01	01			D	02	02	02	02	02	02	02	02	01	02	02	02			D	-	02	-	02	-	02	-	02	-	02	-	02	
		C	-	01	01	-	01	01	-	01	01	-	01	01			C	02	02	02	02	02	02	02	02	02	02	02	02			C	02	-	02	-	02	-	02	-	02	-	02	-	
		B	-	01	01	-	01	01	-	01	01	-	01	01			B	02	02	02	02	02	02	02	02	02	02	02	02			B	-	02	-	02	-	02	-	02	-	02	-	02	
		A	-	01	01	-	01	01	-	01	01	-	01	01			A	02	02	02	02	02	02	02	02	02	02	02	02			A	02	-	02	-	02	-	02	-	02	-	02	-	
		GND	-	-	-	-	-	-	-	-	-	-	-			GND	-	-	-	-	-	-	-	-	-	-	-	-			GND	-	-	-	-	-	-	-	-	-	-	-	-		

\* REAR PLUG-UP PART NUMBER

mat'l code SEE NOTE 3				tolerances unless otherwise specified				CUSTOMER			
ltr	ecr no.	dr	date	linear	0.X ±0.3			COPY		www.fciconnect.com	
x					0.XX ±0.13			projection		title	
				angles	.XXX ±.051					VERTICAL SIGNAL HDR 8 ROW	
				dr	E. KROPER.	2001-01-15		MM		product family	
				enrg	J. VOLSTORF	2001-01-15		←		METRAL	
				chr	RAJKRISHNAN.V	2009-12-15		scale		code	
				appd	BIJU K PAUL	2009-12-15		1:1		213	
sheet	revision							size		sheet	
index	sheet							A		4	
								8030			
								cage code		22526	
										4	

METRAL P/N	ROW	CONTACT CODE													
98030-X013 SEE NOTE 13 LEAD FREE OPTION	H	02	02	02	02	02	02	02	02	02	02	02	02	02	02
	G	02	02	02	02	02	02	02	02	02	02	02	02	02	02
	F	04	04	02	02	02	02	02	02	02	02	02	02	02	02
	E	02	02	02	02	02	02	02	02	02	02	02	02	02	02
	D	02	02	02	02	02	02	02	02	02	02	02	02	02	02
	C	02	02	02	02	02	02	02	02	02	02	02	02	02	02
	B	02	02	02	02	02	02	02	02	02	02	02	02	02	02
	A	02	02	02	02	02	02	02	02	02	02	02	02	02	02
	GND	-	-	-	-	-	-	-	-	-	-	-	-	-	-


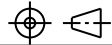
METRAL P/N	ROW	CONTACT CODE													
98030-X017 SEE NOTE 13 LEAD FREE OPTION	H	02	02	02	02	02	02	02	02	02	02	01	02	02	02
	G	02	02	02	02	02	02	02	02	02	02	02	02	02	02
	F	04	04	02	02	02	02	02	02	02	02	02	02	02	02
	E	02	02	02	02	02	02	02	02	02	02	02	02	02	02
	D	02	02	02	02	02	02	02	02	02	02	02	02	02	02
	C	02	02	02	02	02	02	02	02	02	02	02	02	02	02
	B	02	02	02	02	02	02	02	02	02	02	02	02	02	02
	A	02	02	02	02	02	02	02	02	02	02	02	02	02	02
	GND	-	-	-	-	-	-	-	-	-	-	-	-	-	-

METRAL P/N	ROW	CONTACT CODE												
98030-X014 SEE NOTE 13 LEAD FREE OPTION	H	02	02	02	02	02	02	02	02	02	02	02	02	02
	G	02	02	02	02	02	02	02	02	02	02	02	02	02
	F	04	04	02	02	02	02	01	02	02	02	02	02	02
	E	02	02	02	02	02	02	02	02	02	02	02	02	02
	D	02	02	02	02	02	02	02	02	02	02	02	02	02
	C	02	02	02	02	02	02	02	02	02	02	02	02	02
	B	02	02	02	02	02	02	02	02	02	02	02	02	02
	A	02	02	02	02	02	02	02	02	02	02	02	02	02
	GND	-	-	-	-	-	-	-	-	-	-	-	-	-

METRAL P/N	ROW	CONTACT CODE													
98030-X015 * SEE NOTE 13 LEAD FREE OPTION	H	-	55	-	55	-	55	-	55	-	55	-	55	-	55
	G	55	-	55	-	55	-	55	-	55	-	55	-	55	-
	F	-	55	-	55	-	55	-	55	-	55	-	55	-	55
	E	55	-	55	-	55	-	55	-	55	-	55	-	55	-
	D	-	55	-	55	-	55	-	55	-	55	-	55	-	55
	C	55	-	55	-	55	-	55	-	55	-	55	-	55	-
	B	-	55	-	55	-	55	-	55	-	55	-	55	-	55
	A	55	-	55	-	55	-	55	-	55	-	55	-	55	-
	GND	-	-	-	-	-	-	-	-	-	-	-	-	-	-

METRAL P/N	ROW	CONTACT CODE												
98030-X016 * SEE NOTE 13 LEAD FREE OPTION	H	55	55	55	55	55	55	55	55	55	55	55	55	55
	G	55	55	55	55	55	55	55	55	55	55	55	55	55
	F	57	57	55	55	55	55	55	55	55	55	55	55	55
	E	55	55	55	55	55	55	55	55	55	55	55	55	55
	D	55	55	55	55	55	55	55	55	55	55	55	55	55
	C	55	55	55	55	55	55	55	55	55	55	55	55	55
	B	55	55	55	55	55	55	55	55	55	55	55	55	55
	A	55	55	55	55	55	55	55	55	55	55	55	55	55
	GND	-	-	-	-	-	-	-	-	-	-	-	-	-

\*REAR PLUG-UP PART NUMBER


mat'l code SEE NOTE 3		tolerances unless otherwise specified		CUSTOMER		 www.fciconnect.com	
ltr	ecn no.	dr	date	linear	0.X ±0.3	COPY	
X					0.XX ±0.13	projection	title VERTICAL SIGNAL HDR 8 ROW P.F. 96 POS. SELECT LOAD EXT.
					.XXX ±.051		
				angles	0° ±2°	product family METRAL	
				dr	E. KROPER. 2001-01-15	code 213	
				enrg	J. VOLSTORF 2001-01-15	size	dwg no
				chr	RAJKRISHNAN.V 2009-12-15	scale 1:1	A
				appd	BIJU K PAUL 2009-12-15		
sheet	revision						
index	sheet						



This document is the property of and embodies CONFIDENTIAL and PROPRIETARY information of FCJ. No part of the information shown on this document may be used in any way or disclosed to others without the written consent of FCJ. Copyright FCJ.


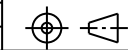

PRODUCT NUMBER  
SEE SHEET 1

NOTES:

1. SEE APPLICATION SPECIFICATION GS-20-010 FOR INFORMATION ON AVAILABLE TOOLING, CIRCUIT BOARD DESIGN CONSIDERATIONS, REPAIR PROCEDURES AND PRODUCT OFFERINGS.
2. UNLESS OTHERWISE SPECIFIED, ALL DIMENSIONS AND TOLERANCES ARE IN ACCORDANCE WITH ASME Y14.5M, 1994
3. HOUSING MATERIAL: LIQUID CRYSTAL POLYMER, 30% GLASS FILLED, FLAME RETARDANT PER UL 94-V0. PIN MATERIAL: PHOSPHOR BRONZE
4. PLATING ON CONTACT AREAS PER PERFORMANCE LEVELS SHOWN IN TABLE ON SHEET 1. PLATING ON "LF" TAILS IS Sn. PLATING ON ALL OTHER TAILS IS SnPb.
5. DIMENSIONAL RESTRICTIONS OF PINS IN HEADERS.  
DIM A : 5.0mm MIN, 8.0mm MAX FOR ROWS A-H  
DIM C : 5.0mm MIN, 8.0mm MAX FOR ROWS A-H
6. THE MIN PCB THICKNESS FOR REAR PLUG-UP APPLICATIONS IS 1.6mm
7. USE SHROUD 98173-102 FOR REAR PLUG-UP APPLICATIONS.
8. THE 'CONNECTOR OUTLINE' IS THE MIN OUTLINE REQUIRED. TO DETERMINE THE OUTLINE NECESSARY TO PERMIT THE VARIOUS TYPES OF REPAIR OPERATIONS, SEE APPLICATION SPECIFICATION GS-20-010.
9. CURRENT RATING : 1 AMP PER PIN
10. TEMPERATURE RANGE : -55°C TO +105°C
11. P/N 98030-XXXXLF  

12. PRODUCTS WHERE THE PART NUMBER ENDS IN "LF" MEET EUROPEAN UNION DIRECTIVES AND OTHER COUNTRY REGULATIONS AS DESCRIBED IN GS-22-008.  
  
ALL PRODUCTS WILL WITHSTAND EXPOSURE TO 260° C FOR 60 SECONDS IN A CONVECTION, INFRA-RED OR VAPOR PHASE REFLOW OVEN.
13. FOR LEAD FREE PART NUMBERS ADD "LF" SUFFIX. EXAMPLE: 98030-XXXXLF
14. PIN TYPE IS AT THE MANUFACTURERS OPTION AND CAN BE EITHER BABY-H OR EYE OF THE NEEDLE STYLE



This document is the property of and embodies CONFIDENTIAL and PROPRIETARY information of FCI. No part of the information shown on this document may be used in any way or disclosed to others without the written consent of FCI. Copyright FCI.

mat'l code SEE NOTE 3				tolerances unless otherwise specified				CUSTOMER		 www.fciconnect.com	
ltr	ecm no.	dr	date	linear	0.X ±0.3		COPY		title VERTICAL SIGNAL HDR 8 ROW P.F. 96 POS. SELECT LOAD EXT.		
X					0.XX ±0.13		projection				
					.XXX ±.051						
				angles	0° ±2°				product family METRAL		
				dr	E. KROPER.	2001-01-15	scale		code		
				enrg	J. VOLSTORF	2001-01-15	1:1		213		
				chr	RAJKRISHNAN.V	2009-12-15	A		sheet		
				appd	BIJU K PAUL	2009-12-15			6		
sheet index	revision sheet										



Компания «ЭлектроПласт» предлагает заключение долгосрочных отношений при поставках импортных электронных компонентов на взаимовыгодных условиях!

Наши преимущества:

- Оперативные поставки широкого спектра электронных компонентов отечественного и импортного производства напрямую от производителей и с крупнейших мировых складов;
- Поставка более 17-ти миллионов наименований электронных компонентов;
- Поставка сложных, дефицитных, либо снятых с производства позиций;
- Оперативные сроки поставки под заказ (от 5 рабочих дней);
- Экспресс доставка в любую точку России;
- Техническая поддержка проекта, помощь в подборе аналогов, поставка прототипов;
- Система менеджмента качества сертифицирована по Международному стандарту ISO 9001;
- Лицензия ФСБ на осуществление работ с использованием сведений, составляющих государственную тайну;
- Поставка специализированных компонентов (Xilinx, Altera, Analog Devices, Intersil, Interpoint, Microsemi, Aeroflex, Peregrine, Syfer, Eurofarad, Texas Instrument, Miteq, Cobham, E2V, MA-COM, Hittite, Mini-Circuits, General Dynamics и др.);

Помимо этого, одним из направлений компании «ЭлектроПласт» является направление «Источники питания». Мы предлагаем Вам помощь Конструкторского отдела:

- Подбор оптимального решения, техническое обоснование при выборе компонента;
- Подбор аналогов;
- Консультации по применению компонента;
- Поставка образцов и прототипов;
- Техническая поддержка проекта;
- Защита от снятия компонента с производства.



#### Как с нами связаться

**Телефон:** 8 (812) 309 58 32 (многоканальный)

**Факс:** 8 (812) 320-02-42

**Электронная почта:** [org@eplast1.ru](mailto:org@eplast1.ru)

**Адрес:** 198099, г. Санкт-Петербург, ул. Калинина, дом 2, корпус 4, литера А.