

UNO-2271G

Intel® Atom™ Pocket-Size Smart Factory Edge Gateway with 2 x GbE, 1 x mPCIe, HDMI, eMMC

NEW



Features

- Intel® Atom™ E3815/E3825 Processor with 4GB DDR3L onboard Memory
- 2 x GbE, 1 x USB 3.0, 1 x HDMI, Option 2 x RS-232/422/485 or 3 x USB2.0
- Compact Fanless Design
- Rubber Stopper Design with internal reserved screws for 2nd layer assembly
- Diverse system I/O and Isolated Digital I/O by iDoor Technology
- Supports Fieldbus Protocol by iDoor Technology
- 3G/GPS/GPRS/Wi-Fi Communication by iDoor Technology
- Supports 30+ iDOOR combination with four main categories of smart factory application
- 32GB eMMC storage onboard

Introduction

Advantech's new generation UNO-2000 series of Embedded Automation Computers are highly ruggedized fanless and modular design. New UNO-2000 series including pocket, small, and regular-size form-factors with indicated market segments in terms of different kinds of smart factory application categories such as Equipment Connectivity (EC), Process Visualization (PV), Environment Management (EM), and Dispatch Management (DM) solution. New UNO enables smart factory and fulfill all application. The modular design of UNO-2271G features optimized I/O, offers three different configurations and also reserves flexibility of supporting Advantech's iDoor technology via second expansion stack. It provides flexible and time-to-market support in variety of applications.

Specifications

General

- Certification** CE, FCC, UL, CCC, BSMI
- Dimensions (W x D x H)** 100 x 70 x 30 mm (3.9" x 2.8" x 1.2"), UNO-2271G-E21AE
100 x 70 x 65 mm (3.9" x 2.8" x 2.6"), UNO-2271G-E22AE and E23AE
- Form Factor** Pocket Size, same dimension as standard 2.5" SSD/HDD
- Enclosure** Aluminum Housing
- Mounting** Stand, Wall, VESA (Optional), DIN-rail (Optional), Pole (Optional)
- Weight (Net)** 0.5 kg (1.1lbs) for UNO-2271G-E21AE
0.6 kg (1.2lbs) for UNO-2271G-E22AE and E23AE
- Power Requirement** 10 ~ 30V_{DC}
- Power Consumption** 12W (Typical), 24W (Max)
- OS Support** For mSATA storage: Windows7, Windows10 LTSB, Advantech Linux
For eMMC storage: Advantech embedded customized Windows7 64bits, Windows 10 LTSB, Advantech Linux

System Hardware

- BIOS** AMI EFI64 Mbit
- Watchdog Timer** Programmable 255 levels timer interval, from 1 to 255 sec
- Processor** Intel Atom E3815 1.46GHz (E3825 support by project)
- System Chip** Intel Atom SoC integrated
- Memory** Onboard 4GB DDR3L 1066 MHz
- Graphics Engine** Intel® HD Graphics
- Ethernet** Realtek RTL8111E GbE, 802.10av
- LED Indicators** LEDs for Power, HDD, LAN (Active, Status)
- Storage** Onboard 32GB eMMC (Option mSATA shared with mPCIe slot)
- Expansion** 1 x Full-size mPCIe slot

I/O Interfaces

- Serial Ports** 2 x RS 232/422/485 for UNO-2271G-E23AE

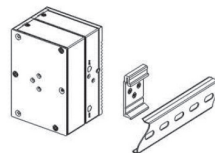
- LAN Ports** 2 x RJ45, 10/100/1000 Mbps IEEE 802.3u 1000Base-T Fast Ethernet
- USB Ports** 1 x USB 3.0 for UNO-2271G-E21AE/E021AE
3 x USB 2.0 and 1 x USB 3.0 for UNO-2271G-E22AE/E022AE
1 x USB 3.0 for UNO-2271G-E23AE/E023AE
- Displays** 1 x HDMI, supports 1920 x 1080 @ 60Hz
- Power Connector** 1 x 2 Pins, Terminal Block

Environment

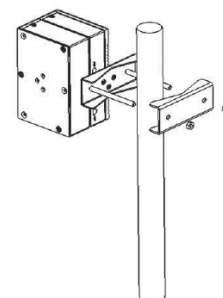
- Operating Temperature** 0 ~ 50°C (32 ~ 122°F) @ 5 ~ 85% RH with 0.7 m/s airflow
- Storage Temperature** -20 ~ 70°C (-4 ~ 158°F)
- Relative Humidity** 10 ~ 95% RH @ 40°C, non-condensing
- Shock Protection** Operating, IEC 60068-2-27, 50G, half sine, 11 ms
- Vibration Protection** Operating, IEC 60068-2-64, 2 Grms, random, 5 ~ 500 Hz, 1hr/axis (mSATA)
- Ingress Protection** IP30

Installation Scenario

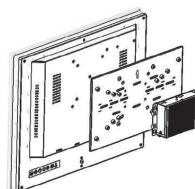
DIN-rail Mount Illustration



Pole Mount Illustration



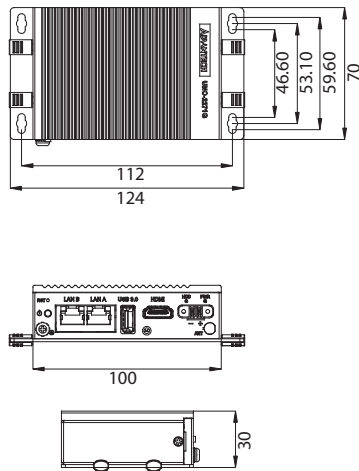
VESA Mount Illustration



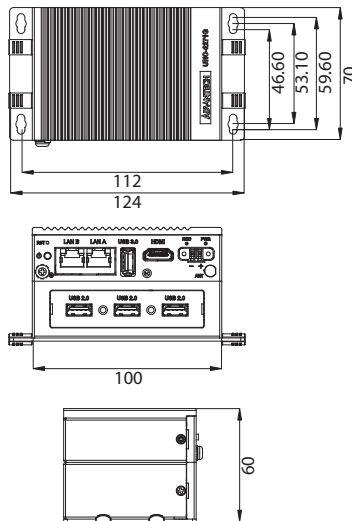
Dimensions

Unit: mm

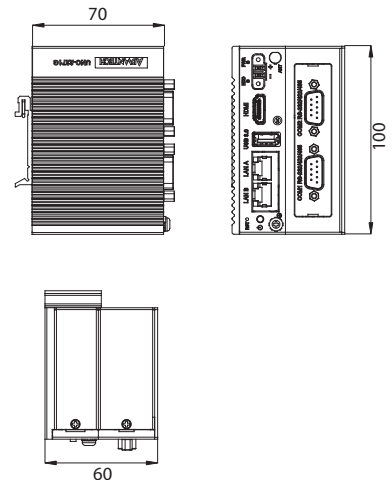
UNO-2271G-E21AE



UNO-2271G-E22AE

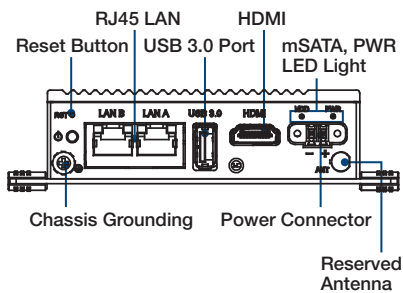


UNO-2271G-E23AE

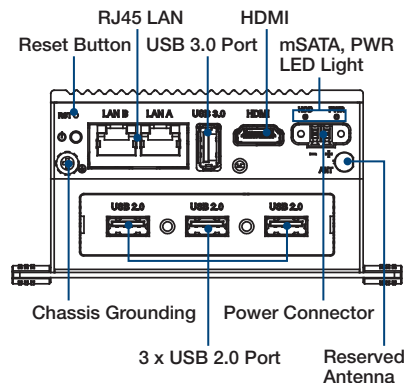


Front I/O View

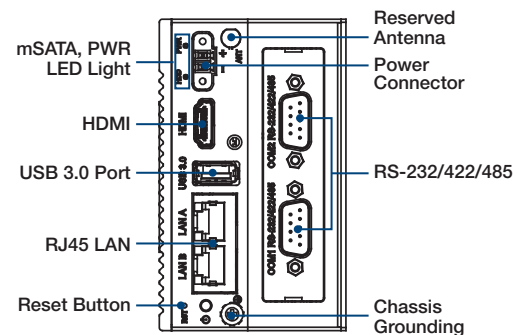
UNO-2271G-E21AE



UNO-2271G-E22AE



UNO-2271G-E23AE



Ordering Information

- UNO-2271G-E21AE 2271G-Standard, Intel Atom E3815 1.46 GHz, 4GB, 2 x LAN, 1 x mPCIe, 1 x USB3.0
- UNO-2271G-E22AE 2271G-Universal, Intel Atom E3815 1.46 GHz, 4GB, 2 x LAN, 1 x mPCIe, 1 x USB3.0, 3 x USB2.0
- UNO-2271G-E23AE 2271G-DIN RAIL, Intel Atom E3815 1.46GHz, 4GB, 2 x LAN, 1 x mPCIe, 1 x USB3.0, 2 x RS-232/422/485
- UNO-2271G-W1032GE UNO-2271G-E21AE Ready-to-Go Package (Includes Windows 10 LTSB & 60W Adapter)

iDoor Modules

- PCM-23U1DG-BE Internal locked USB Slot for USB Dongle
- PCM-24R2GL-AE 2-Port Gigabit Ethernet, mPCIe, RJ45
- PCM-24D2R2-BE 2-Port Isolated RS-232 mPCIe, DB9
- PCM-24D4R2-BE 4-Port Non-Isolated RS-232 mPCIe, DB37
- PCM-24S2WF-BE WiFi 802.11 ac/a/b/g/n 2T2R w/Bluetooth 4.1
- PCM-24S33G-AE Wide-Temp 3.75G HSPA and GPS, Redundant SIM Card holder
- PCM-2300MR-AE MR4A16B, MRAM, 2 MByte, mPCIe
- PCM-27D24DI-AE 24-Channel Isolated Digital I/O w/ counter mPCIe, DB37

Optional Accessories

- PWR-247-CE 60W AC to DC UNO series power adapter (Industrial Grade)
- 1702002600 Power Cable US Plug 1.8 M (Industrial Grade)
- 1702002605 Power Cable EU Plug 1.8 M (Industrial Grade)
- 1702031801 Power Cable UK Plug 1.8 M (Industrial Grade)
- 1700000596 Power Cable China/Australia Plug 1.8 M (Industrial Grade)
- UNO-2271G-EKAE UNO-2271G Expansion Kit for iDoor
- UNO-2271G-R2AE UNO-2271G Expansion Kit of 2 COM ports
- UNO-2271G-U3AE UNO-2271G Expansion Kit of 3 USB2.0 ports
- UNO-2271G-DMKAE UNO-2271G DIN RAIL Kit
- UNO-2000G-VMKAE UNO-2000 VESA Mount Kit
- UNO-2000G-PMKAE UNO-2000 Pole Mount Kit
- UNO-2000-LKAE Cable lockable kit 10 units/per pack

Embedded O/S

- 2070014803 WIN10 ENT 2016 LTSB V6.01 B014 image
- 2070015327 Advantech Linux (AdvLinuxTu V1.0.3) image
- 20703WE7PS0003 WS7P X64 MUI V4.18 B017 image



Компания «ЭлектроПласт» предлагает заключение долгосрочных отношений при поставках импортных электронных компонентов на взаимовыгодных условиях!

Наши преимущества:

- Оперативные поставки широкого спектра электронных компонентов отечественного и импортного производства напрямую от производителей и с крупнейших мировых складов;
- Поставка более 17-ти миллионов наименований электронных компонентов;
- Поставка сложных, дефицитных, либо снятых с производства позиций;
- Оперативные сроки поставки под заказ (от 5 рабочих дней);
- Экспресс доставка в любую точку России;
- Техническая поддержка проекта, помощь в подборе аналогов, поставка прототипов;
- Система менеджмента качества сертифицирована по Международному стандарту ISO 9001;
- Лицензия ФСБ на осуществление работ с использованием сведений, составляющих государственную тайну;
- Поставка специализированных компонентов (Xilinx, Altera, Analog Devices, Intersil, Interpoint, Microsemi, Aeroflex, Peregrine, Syfer, Eurofarad, Texas Instrument, Miteq, Cobham, E2V, MA-COM, Hittite, Mini-Circuits, General Dynamics и др.);

Помимо этого, одним из направлений компании «ЭлектроПласт» является направление «Источники питания». Мы предлагаем Вам помощь Конструкторского отдела:

- Подбор оптимального решения, техническое обоснование при выборе компонента;
- Подбор аналогов;
- Консультации по применению компонента;
- Поставка образцов и прототипов;
- Техническая поддержка проекта;
- Защита от снятия компонента с производства.



Как с нами связаться

Телефон: 8 (812) 309 58 32 (многоканальный)

Факс: 8 (812) 320-02-42

Электронная почта: org@eplast1.ru

Адрес: 198099, г. Санкт-Петербург, ул. Калинина, дом 2, корпус 4, литера А.