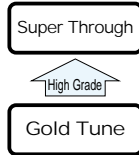


ALUMINUM ELECTROLYTIC CAPACITORS

KG Lug / Snap-in Terminal Type,
For Audio Equipment
series



- Designed for high grade audio equipment, giving priority to high fidelity sound quality.
- The variation expansion of the KG series.
 - TYPE- I : The low profile high tone quality grade of the new development electrolyte adoption.
 - TYPE- II : The center grade that the best sound is provided electrode foil, with the multiple use.
 - TYPE- III : The highest tone quality grade by the low drag the gold plating terminal adoption.
- The sound quality that it meets the high tone quality needs for HD Audio equipment.
- Compliant to the RoHS directive (2002/95/EC).

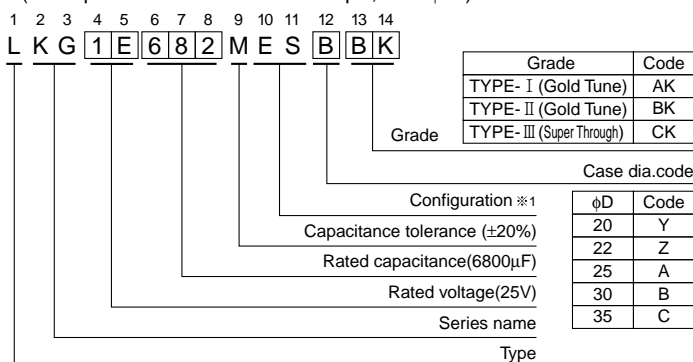


Specifications

| Item | Performance Characteristics | | | | | | | | | | | | | | | | | | | | |
|-------------------------------|---|--|--------------------|--|-----------|---|-----------------|---|----|----------|----------|----|----------|----------|--------------|------|------|------|------|------|------|
| Category Temperature Range | - 40 to +85°C | | | | | | | | | | | | | | | | | | | | |
| Rated Voltage Range | 16 to 100V (TYPE- I , TYPE- II , TYPE- III) | | | | | | | | | | | | | | | | | | | | |
| Rated Capacitance Range | 680 to 33000μF | | | | | | | | | | | | | | | | | | | | |
| Capacitance Tolerance | ±20% at 120Hz, 20°C | | | | | | | | | | | | | | | | | | | | |
| Leakage Current | After 5 minutes' application of rated voltage, leakage current is not more than $3\sqrt{CV}$ (μA), [C : Rated Capacitance(μF), V : Voltage (V)] | | | | | | | | | | | | | | | | | | | | |
| Tangent of loss angle (tan δ) | For capacitance of more than 22000μF, add 0.02 for every increase of 1000μF. Measurement frequency : 120Hz at 20°C | | | | | | | | | | | | | | | | | | | | |
| | <table border="1"> <thead> <tr> <th>TYPE</th> <th colspan="3">TYPE- I , TYPE- II</th> <th colspan="2">TYPE- III</th> </tr> </thead> <tbody> <tr> <td>Rated voltage(V)</td> <td>16</td> <td>25 to 63</td> <td>80 • 100</td> <td>16</td> <td>25 to 63</td> <td>80 • 100</td> </tr> <tr> <td>tan δ (MAX.)</td> <td>0.35</td> <td>0.30</td> <td>0.25</td> <td>0.25</td> <td>0.22</td> <td>0.20</td> </tr> </tbody> </table> | TYPE | TYPE- I , TYPE- II | | | TYPE- III | | Rated voltage(V) | 16 | 25 to 63 | 80 • 100 | 16 | 25 to 63 | 80 • 100 | tan δ (MAX.) | 0.35 | 0.30 | 0.25 | 0.25 | 0.22 | 0.20 |
| | TYPE | TYPE- I , TYPE- II | | | TYPE- III | | | | | | | | | | | | | | | | |
| Rated voltage(V) | 16 | 25 to 63 | 80 • 100 | 16 | 25 to 63 | 80 • 100 | | | | | | | | | | | | | | | |
| tan δ (MAX.) | 0.35 | 0.30 | 0.25 | 0.25 | 0.22 | 0.20 | | | | | | | | | | | | | | | |
| | | | | | | | | | | | | | | | | | | | | | |
| Stability at Low Temperature | <table border="1"> <thead> <tr> <th>Rated voltage(V)</th> <th>16 to 100</th> </tr> </thead> <tbody> <tr> <td>Impedance ratio ZT/Z20(MAX.)</td> <td>4</td> </tr> <tr> <td></td> <td>12</td> </tr> </tbody> </table> | Rated voltage(V) | 16 to 100 | Impedance ratio ZT/Z20(MAX.) | 4 | | 12 | Measurement frequency : 120Hz | | | | | | | | | | | | | |
| | Rated voltage(V) | 16 to 100 | | | | | | | | | | | | | | | | | | | |
| Impedance ratio ZT/Z20(MAX.) | 4 | | | | | | | | | | | | | | | | | | | | |
| | 12 | | | | | | | | | | | | | | | | | | | | |
| Endurance | The specifications listed at right shall be met when the capacitors are restored to 20°C after the rated voltage is applied for 1000 hours at 85°C. | <table border="1"> <tr> <td>Capacitance change</td> <td>Within ±20% of the initial capacitance value</td> </tr> <tr> <td>tan δ</td> <td>200% or less than the initial specified value</td> </tr> <tr> <td>Leakage current</td> <td>Less than or equal to the initial specified value</td> </tr> </table> | Capacitance change | Within ±20% of the initial capacitance value | tan δ | 200% or less than the initial specified value | Leakage current | Less than or equal to the initial specified value | | | | | | | | | | | | | |
| | Capacitance change | Within ±20% of the initial capacitance value | | | | | | | | | | | | | | | | | | | |
| | tan δ | 200% or less than the initial specified value | | | | | | | | | | | | | | | | | | | |
| Leakage current | Less than or equal to the initial specified value | | | | | | | | | | | | | | | | | | | | |
| Shelf Life | After storing the capacitors under no load at 85°C for 1000 hours and then performing voltage treatment based on JIS C 5101-4 clause 4.1 at 20°C, they shall meet the specified values for the endurance characteristics listed above. | | | | | | | | | | | | | | | | | | | | |
| Marking | Printed with gold color letter on black sleeve. | | | | | | | | | | | | | | | | | | | | |

Type numbering system (Snap-in terminal type)

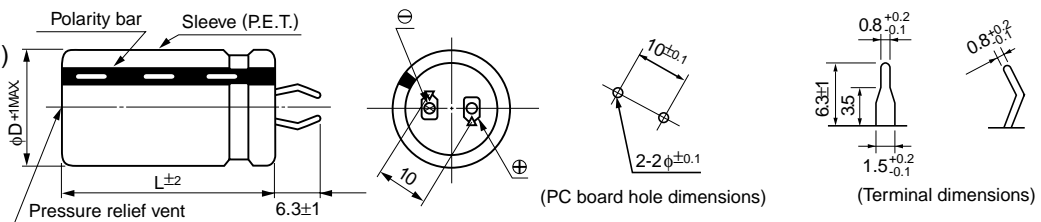
(Example : Gold Tune 25 V 6800μF, Dia.φ30)



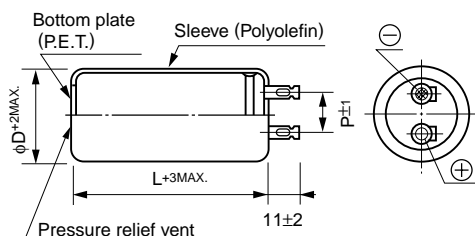
※1 Configuration

| | |
|--------------------|--|
| Pb-free terminal | |
| Pb-free PET sleeve | |
| ES | |

(Snap-in terminal type)

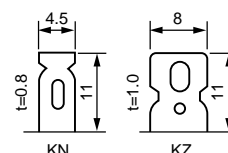


(Lug terminal type)



Configuration ※2

φ35 to φ40 φ50 to φ76



| | (mm) | | | | |
|---------------|------|----|----|----|----|
| φD | 35 | 40 | 50 | 63 | 76 |
| P | 14 | 14 | 18 | 25 | 25 |
| Configuration | KN | | KZ | | |

• Dimension table in next page.

■Dimensions (Snap-in Terminal Type : Grade TYPE- I)

| 16V(1C) | | | | |
|-----------|-----------------|---------------------|-------|----------------|
| Cap. (μF) | Size φD × L(mm) | Rated ripple (Arms) | tan δ | Code |
| 4700 | 22×20 | 1.35 | 0.35 | LKG1C472MESZAK |
| 5600 | 20×25 | 1.45 | 0.35 | LKG1C562MESYAK |
| 6800 | 25×20 | 1.70 | 0.35 | LKG1C682MESAAK |
| 8200 | 20×30 | 1.90 | 0.35 | LKG1C822MESYAK |
| | 22×25 | 1.90 | 0.35 | LKG1C822MESZAK |
| 10000 | 20×35 | 2.05 | 0.35 | LKG1C103MESYAK |
| | 22×30 | 2.05 | 0.35 | LKG1C103MESZAK |
| | 25×25 | 2.00 | 0.35 | LKG1C103MESAAK |
| | 30×20 | 2.10 | 0.35 | LKG1C103MESBAK |
| 12000 | 20×40 | 2.25 | 0.35 | LKG1C123MESYAK |
| | 22×35 | 2.20 | 0.35 | LKG1C123MESZAK |
| | 25×30 | 2.15 | 0.35 | LKG1C123MESAAK |
| | 35×20 | 2.10 | 0.35 | LKG1C123MESCAK |
| 15000 | 20×45 | 2.60 | 0.35 | LKG1C153MESYAK |
| | 22×40 | 2.50 | 0.35 | LKG1C153MESZAK |
| | 25×35 | 2.40 | 0.35 | LKG1C153MESAAK |
| | 30×25 | 2.50 | 0.35 | LKG1C153MESBAK |
| 18000 | 22×45 | 2.80 | 0.35 | LKG1C183MESZAK |
| | 25×40 | 2.60 | 0.35 | LKG1C183MESAAK |
| | 30×30 | 2.65 | 0.35 | LKG1C183MESBAK |
| 22000 | 25×45 | 2.95 | 0.35 | LKG1C223MESAAK |
| | 30×35 | 2.90 | 0.35 | LKG1C223MESBAK |
| | 35×25 | 2.90 | 0.35 | LKG1C223MESCAK |
| 27000 | 25×50 | 3.40 | 0.45 | LKG1C273MESAAK |
| | 30×40 | 3.25 | 0.45 | LKG1C273MESBAK |
| | 35×30 | 3.35 | 0.45 | LKG1C273MESCAK |
| 33000 | 30×45 | 3.70 | 0.57 | LKG1C333MESBAK |
| | 35×35 | 3.65 | 0.57 | LKG1C333MESCAK |

| 25V(1E) | | | | |
|-----------|-----------------|---------------------|-------|----------------|
| Cap. (μF) | Size φD × L(mm) | Rated ripple (Arms) | tan δ | Code |
| 3300 | 22×20 | 1.50 | 0.30 | LKG1E332MESZAK |
| 3900 | 20×25 | 1.60 | 0.30 | LKG1E392MESYAK |
| | 25×20 | 1.55 | 0.30 | LKG1E392MESAAK |
| 4700 | 20×30 | 1.70 | 0.30 | LKG1E472MESYAK |
| | 22×25 | 1.70 | 0.30 | LKG1E472MESZAK |
| 5600 | 30×20 | 1.85 | 0.30 | LKG1E562MESBAK |
| 6800 | 20×35 | 2.20 | 0.30 | LKG1E682MESYAK |
| | 22×30 | 2.20 | 0.30 | LKG1E682MESZAK |
| | 25×25 | 2.15 | 0.30 | LKG1E682MESAAK |
| 8200 | 20×40 | 2.40 | 0.30 | LKG1E822MESYAK |
| | 22×35 | 2.35 | 0.30 | LKG1E822MESZAK |
| | 25×30 | 2.30 | 0.30 | LKG1E822MESAAK |
| | 35×20 | 2.25 | 0.30 | LKG1E822MESCAK |
| 10000 | 20×50 | 2.55 | 0.30 | LKG1E103MESYAK |
| | 22×40 | 2.65 | 0.30 | LKG1E103MESZAK |
| | 25×35 | 2.50 | 0.30 | LKG1E103MESAAK |
| | 30×25 | 2.65 | 0.30 | LKG1E103MESBAK |
| 12000 | 22×45 | 2.90 | 0.30 | LKG1E123MESZAK |
| | 25×40 | 2.75 | 0.30 | LKG1E123MESAAK |
| | 30×30 | 2.80 | 0.30 | LKG1E123MESBAK |
| | 35×25 | 2.65 | 0.30 | LKG1E123MESCAK |
| 15000 | 25×45 | 3.15 | 0.30 | LKG1E153MESAAK |
| | 30×35 | 3.10 | 0.30 | LKG1E153MESBAK |
| 18000 | 25×50 | 3.55 | 0.30 | LKG1E183MESAAK |
| | 30×40 | 3.40 | 0.30 | LKG1E183MESBAK |
| | 35×30 | 3.50 | 0.30 | LKG1E183MESCAK |
| 22000 | 30×45 | 3.85 | 0.30 | LKG1E223MESBAK |
| | 35×35 | 3.85 | 0.30 | LKG1E223MESCAK |
| 27000 | 35×40 | 4.30 | 0.40 | LKG1E273MESCAK |
| 33000 | 35×45 | 4.85 | 0.52 | LKG1E333MESCAK |

| 35V(1V) | | | | |
|-----------|-----------------|---------------------|-------|----------------|
| Cap. (μF) | Size φD × L(mm) | Rated ripple (Arms) | tan δ | Code |
| 2200 | 22×20 | 1.45 | 0.30 | LKG1V222MESZAK |
| 2700 | 20×25 | 1.60 | 0.30 | LKG1V272MESYAK |
| | 25×20 | 1.55 | 0.30 | LKG1V272MESAAK |
| 3300 | 20×30 | 1.75 | 0.30 | LKG1V332MESYAK |
| | 22×25 | 1.75 | 0.30 | LKG1V332MESZAK |
| 3900 | 30×20 | 1.85 | 0.30 | LKG1V392MESBAK |
| 4700 | 20×35 | 2.20 | 0.30 | LKG1V472MESYAK |
| | 22×30 | 2.20 | 0.30 | LKG1V472MESZAK |
| | 25×25 | 2.15 | 0.30 | LKG1V472MESAAK |
| 5600 | 20×40 | 2.40 | 0.30 | LKG1V562MESYAK |
| | 22×35 | 2.35 | 0.30 | LKG1V562MESZAK |
| | 25×30 | 2.25 | 0.30 | LKG1V562MESAAK |
| | 35×20 | 2.25 | 0.30 | LKG1V562MESCAK |
| 6800 | 20×50 | 2.50 | 0.30 | LKG1V682MESYAK |
| | 22×40 | 2.60 | 0.30 | LKG1V682MESZAK |
| | 30×25 | 2.60 | 0.30 | LKG1V682MESBAK |
| 8200 | 22×45 | 2.90 | 0.30 | LKG1V822MESZAK |
| | 25×40 | 2.70 | 0.30 | LKG1V822MESAAK |
| | 30×30 | 2.75 | 0.30 | LKG1V822MESBAK |
| 10000 | 25×45 | 3.05 | 0.30 | LKG1V103MESAAK |
| | 30×35 | 3.00 | 0.30 | LKG1V103MESBAK |
| | 35×25 | 3.20 | 0.30 | LKG1V103MESCAK |
| 12000 | 25×50 | 3.45 | 0.30 | LKG1V123MESAAK |
| | 30×40 | 3.30 | 0.30 | LKG1V123MESBAK |
| | 35×30 | 3.40 | 0.30 | LKG1V123MESCAK |
| 15000 | 30×45 | 3.80 | 0.30 | LKG1V153MESBAK |
| | 35×35 | 3.80 | 0.30 | LKG1V153MESCAK |
| 18000 | 30×50 | 4.30 | 0.30 | LKG1V183MESBAK |
| | 35×40 | 4.15 | 0.30 | LKG1V183MESCAK |
| 22000 | 35×45 | 4.70 | 0.30 | LKG1V223MESCAK |

| 50V(1H) | | | | |
|-----------|-----------------|---------------------|-------|----------------|
| Cap. (μF) | Size φD × L(mm) | Rated ripple (Arms) | tan δ | Code |
| 1500 | 22×20 | 1.55 | 0.30 | LKG1H152MESZAK |
| 1800 | 20×25 | 1.70 | 0.30 | LKG1H182MESYAK |
| | 25×20 | 1.65 | 0.30 | LKG1H182MESAAK |
| 2200 | 20×30 | 1.85 | 0.30 | LKG1H222MESYAK |
| | 22×25 | 1.85 | 0.30 | LKG1H222MESZAK |
| 2700 | 20×35 | 2.00 | 0.30 | LKG1H272MESYAK |
| | 22×30 | 2.00 | 0.30 | LKG1H272MESZAK |
| | 25×25 | 1.95 | 0.30 | LKG1H272MESAAK |
| | 30×20 | 2.05 | 0.30 | LKG1H272MESBAK |
| 3300 | 20×40 | 2.25 | 0.30 | LKG1H332MESYAK |
| | 22×35 | 2.20 | 0.30 | LKG1H332MESZAK |
| 3900 | 20×45 | 2.45 | 0.30 | LKG1H392MESYAK |
| | 22×40 | 2.35 | 0.30 | LKG1H392MESZAK |
| | 25×30 | 2.50 | 0.30 | LKG1H392MESAAK |
| | 30×25 | 2.35 | 0.30 | LKG1H392MESBAK |
| 4700 | 35×20 | 2.45 | 0.30 | LKG1H392MESCAK |
| | 20×50 | 2.75 | 0.30 | LKG1H472MESYAK |
| | 22×45 | 2.60 | 0.30 | LKG1H472MESZAK |
| 5600 | 25×35 | 2.70 | 0.30 | LKG1H472MESAAK |
| | 22×50 | 2.90 | 0.30 | LKG1H562MESZAK |
| | 25×40 | 2.90 | 0.30 | LKG1H562MESAAK |
| 6800 | 30×30 | 3.00 | 0.30 | LKG1H562MESBAK |
| | 35×25 | 2.85 | 0.30 | LKG1H562MESCAK |
| | 25×45 | 3.30 | 0.30 | LKG1H682MESAAK |
| 8200 | 30×35 | 3.25 | 0.30 | LKG1H682MESBAK |
| | 30×40 | 3.55 | 0.30 | LKG1H822MESBAK |
| 10000 | 35×30 | 3.65 | 0.30 | LKG1H822MESCAK |
| | 30×45 | 4.00 | 0.30 | LKG1H103MESBAK |
| 12000 | 35×35 | 4.00 | 0.30 | LKG1H103MESCAK |
| | 35×40 | 4.35 | 0.30 | LKG1H123MESCAK |
| 15000 | 35×50 | 4.70 | 0.30 | LKG1H153MESCAK |

Rated ripple current (Arms) at 85°C 120Hz

■ Dimensions (Snap-in Terminal Type : Grade TYPE- I)

| 63V(1J) | | | | |
|-----------|-----------------|---------------------|-------|----------------|
| Cap. (μF) | Size φD × L(mm) | Rated ripple (Arms) | tan δ | Code |
| 820 | 22 × 20 | 1.30 | 0.30 | LKG1J821MESZAK |
| 1000 | 20 × 25 | 1.45 | 0.30 | LKG1J102MESYAK |
| 1200 | 25 × 20 | 1.65 | 0.30 | LKG1J122MESAAK |
| 1500 | 20 × 30 | 1.90 | 0.30 | LKG1J152MESYAK |
| | 22 × 25 | 1.90 | 0.30 | LKG1J152MESZAK |
| 1800 | 20 × 35 | 2.05 | 0.30 | LKG1J182MESYAK |
| | 22 × 30 | 2.00 | 0.30 | LKG1J182MESZAK |
| | 25 × 25 | 2.00 | 0.30 | LKG1J182MESAAK |
| | 30 × 20 | 2.05 | 0.30 | LKG1J182MESBAK |
| 2200 | 20 × 40 | 2.25 | 0.30 | LKG1J222MESYAK |
| | 22 × 35 | 2.20 | 0.30 | LKG1J222MESZAK |
| | 25 × 30 | 2.15 | 0.30 | LKG1J222MESAAK |
| | 35 × 20 | 2.10 | 0.30 | LKG1J222MESCAK |
| 2700 | 20 × 50 | 2.40 | 0.30 | LKG1J272MESYAK |
| | 22 × 40 | 2.45 | 0.30 | LKG1J272MESZAK |
| | 25 × 35 | 2.35 | 0.30 | LKG1J272MESAAK |
| | 30 × 25 | 2.50 | 0.30 | LKG1J272MESBAK |
| 3300 | 22 × 45 | 2.80 | 0.30 | LKG1J332MESZAK |
| | 25 × 40 | 2.60 | 0.30 | LKG1J332MESAAK |
| | 30 × 30 | 2.70 | 0.30 | LKG1J332MESBAK |
| 3900 | 25 × 45 | 2.85 | 0.30 | LKG1J392MESAAK |
| | 30 × 35 | 2.85 | 0.30 | LKG1J392MESBAK |
| | 35 × 25 | 3.00 | 0.30 | LKG1J392MESCAK |
| 4700 | 25 × 50 | 3.20 | 0.30 | LKG1J472MESAAK |
| | 30 × 40 | 3.10 | 0.30 | LKG1J472MESBAK |
| | 35 × 30 | 3.20 | 0.30 | LKG1J472MESCAK |
| 5600 | 30 × 45 | 3.45 | 0.30 | LKG1J562MESBAK |
| | 35 × 35 | 3.40 | 0.30 | LKG1J562MESCAK |
| 6800 | 30 × 50 | 3.90 | 0.30 | LKG1J682MESBAK |
| | 35 × 40 | 3.75 | 0.30 | LKG1J682MESCAK |
| 8200 | 35 × 45 | 4.20 | 0.30 | LKG1J822MESCAK |
| 10000 | 35 × 50 | 4.80 | 0.30 | LKG1J103MESCAK |

| 80V(1K) | | | | |
|-----------|-----------------|---------------------|-------|----------------|
| Cap. (μF) | Size φD × L(mm) | Rated ripple (Arms) | tan δ | Code |
| 820 | 20 × 25 | 1.70 | 0.25 | LKG1K821MESYAK |
| | 25 × 20 | 1.65 | 0.25 | LKG1K821MESAAK |
| 1000 | 20 × 30 | 1.80 | 0.25 | LKG1K102MESYAK |
| | 22 × 25 | 1.85 | 0.25 | LKG1K102MESZAK |
| 1200 | 20 × 35 | 1.95 | 0.25 | LKG1K122MESYAK |
| | 22 × 30 | 1.95 | 0.25 | LKG1K122MESZAK |
| | 25 × 25 | 1.90 | 0.25 | LKG1K122MESAAK |
| | 30 × 20 | 2.00 | 0.25 | LKG1K122MESBAK |
| 1500 | 20 × 40 | 2.20 | 0.25 | LKG1K152MESYAK |
| | 22 × 35 | 2.15 | 0.25 | LKG1K152MESZAK |
| | 25 × 30 | 2.10 | 0.25 | LKG1K152MESAAK |
| 1800 | 20 × 45 | 2.45 | 0.25 | LKG1K182MESYAK |
| | 22 × 40 | 2.35 | 0.25 | LKG1K182MESZAK |
| | 30 × 25 | 2.40 | 0.25 | LKG1K182MESBAK |
| | 35 × 20 | 2.50 | 0.25 | LKG1K182MESCAK |
| 2200 | 22 × 45 | 2.70 | 0.25 | LKG1K222MESZAK |
| | 25 × 35 | 2.75 | 0.25 | LKG1K222MESAAK |
| | 30 × 30 | 2.55 | 0.25 | LKG1K222MESBAK |
| 2700 | 30 × 35 | 2.80 | 0.25 | LKG1K272MESBAK |
| | 35 × 25 | 3.00 | 0.25 | LKG1K272MESCAK |
| 3300 | 25 × 50 | 3.25 | 0.25 | LKG1K332MESAAK |
| | 30 × 40 | 3.15 | 0.25 | LKG1K332MESBAK |
| | 35 × 30 | 3.20 | 0.25 | LKG1K332MESCAK |
| 3900 | 30 × 45 | 3.45 | 0.25 | LKG1K392MESBAK |
| | 35 × 35 | 3.40 | 0.25 | LKG1K392MESCAK |
| 4700 | 30 × 45 | 3.85 | 0.25 | LKG1K472MESBAK |
| | 35 × 40 | 3.75 | 0.25 | LKG1K472MESCAK |
| 5600 | 35 × 45 | 4.10 | 0.25 | LKG1K562MESCAK |
| 6800 | 35 × 50 | 4.65 | 0.25 | LKG1K682MESCAK |

| 100V(2A) | | | | |
|-----------|-----------------|---------------------|-------|----------------|
| Cap. (μF) | Size φD × L(mm) | Rated ripple (Arms) | tan δ | Code |
| 680 | 20 × 30 | 1.70 | 0.25 | LKG2A681MESYAK |
| | 22 × 25 | 1.75 | 0.25 | LKG2A681MESZAK |
| 820 | 20 × 35 | 1.85 | 0.25 | LKG2A821MESYAK |
| | 22 × 30 | 1.85 | 0.25 | LKG2A821MESZAK |
| | 25 × 25 | 1.80 | 0.25 | LKG2A821MESAAK |
| | 30 × 20 | 1.90 | 0.25 | LKG2A821MESBAK |
| 1000 | 20 × 40 | 2.05 | 0.25 | LKG2A102MESYAK |
| 1200 | 20 × 45 | 2.30 | 0.25 | LKG2A122MESYAK |
| | 22 × 40 | 2.20 | 0.25 | LKG2A122MESZAK |
| | 25 × 30 | 2.35 | 0.25 | LKG2A122MESAAK |
| | 30 × 25 | 2.20 | 0.25 | LKG2A122MESBAK |
| | 35 × 20 | 2.30 | 0.25 | LKG2A122MESCAK |
| 1500 | 20 × 50 | 2.65 | 0.25 | LKG2A152MESYAK |
| | 22 × 45 | 2.55 | 0.25 | LKG2A152MESZAK |
| | 25 × 35 | 2.60 | 0.25 | LKG2A152MESAAK |
| 1800 | 22 × 50 | 2.85 | 0.25 | LKG2A182MESZAK |
| | 25 × 40 | 2.85 | 0.25 | LKG2A182MESAAK |
| | 30 × 30 | 2.90 | 0.25 | LKG2A182MESBAK |
| | 35 × 25 | 2.75 | 0.25 | LKG2A182MESCAK |
| 2200 | 25 × 45 | 3.20 | 0.25 | LKG2A222MESAAK |
| | 30 × 35 | 3.20 | 0.25 | LKG2A222MESBAK |
| | 35 × 30 | 3.00 | 0.25 | LKG2A222MESCAK |
| 2700 | 30 × 40 | 3.55 | 0.25 | LKG2A272MESBAK |
| | 35 × 35 | 3.25 | 0.25 | LKG2A272MESCAK |
| 3300 | 30 × 50 | 3.75 | 0.25 | LKG2A332MESBAK |
| 3900 | 35 × 40 | 4.30 | 0.25 | LKG2A392MESCAK |
| 4700 | 35 × 50 | 4.50 | 0.25 | LKG2A472MESCAK |

Rated ripple current (Arms) at 85°C 120Hz

ALUMINUM ELECTROLYTIC CAPACITORS



■Dimensions (Snap-in Terminal Type : Grade TYPE- II)

| 16V(1C) | | | | |
|-----------|-----------------|---------------------|-------|----------------|
| Cap. (μF) | Size φD × L(mm) | Rated ripple (Arms) | tan δ | Code |
| 2200 | 20 × 20 | 1.10 | 0.35 | LKG1C222MESYBK |
| 3300 | 22 × 20 | 1.50 | 0.35 | LKG1C332MESZBK |
| 3900 | 20 × 25 | 1.55 | 0.35 | LKG1C392MESYBK |
| | 25 × 20 | 1.55 | 0.35 | LKG1C392MESABK |
| 4700 | 20 × 30 | 1.75 | 0.35 | LKG1C472MESYBK |
| | 22 × 25 | 1.75 | 0.35 | LKG1C472MESZBK |
| 5600 | 30 × 20 | 1.85 | 0.35 | LKG1C562MESBBK |
| 6800 | 20 × 35 | 2.20 | 0.35 | LKG1C682MESYBK |
| | 22 × 30 | 2.20 | 0.35 | LKG1C682MESZBK |
| | 25 × 25 | 2.15 | 0.35 | LKG1C682MESABK |
| 8200 | 20 × 40 | 2.40 | 0.35 | LKG1C822MESYBK |
| | 22 × 35 | 2.40 | 0.35 | LKG1C822MESZBK |
| | 25 × 30 | 2.30 | 0.35 | LKG1C822MESABK |
| | 35 × 20 | 2.25 | 0.35 | LKG1C822MESCBK |
| 10000 | 20 × 50 | 2.65 | 0.35 | LKG1C103MESYBK |
| | 22 × 40 | 2.65 | 0.35 | LKG1C103MESZBK |
| | 25 × 35 | 2.45 | 0.35 | LKG1C103MESABK |
| | 30 × 25 | 2.50 | 0.35 | LKG1C103MESBBK |
| 12000 | 22 × 50 | 2.75 | 0.35 | LKG1C123MESZBK |
| | 25 × 40 | 2.75 | 0.35 | LKG1C123MESABK |
| | 30 × 30 | 2.75 | 0.35 | LKG1C123MESBBK |
| | 35 × 25 | 2.60 | 0.35 | LKG1C123MESCBK |
| 15000 | 25 × 45 | 3.10 | 0.35 | LKG1C153MESABK |
| | 30 × 35 | 3.10 | 0.35 | LKG1C153MESBBK |
| 18000 | 25 × 50 | 3.50 | 0.35 | LKG1C183MESABK |
| | 30 × 40 | 3.40 | 0.35 | LKG1C183MESBBK |
| | 35 × 30 | 3.45 | 0.35 | LKG1C183MESCBK |
| 22000 | 30 × 45 | 3.80 | 0.35 | LKG1C223MESBBK |
| | 35 × 35 | 3.80 | 0.35 | LKG1C223MESCBK |
| 27000 | 30 × 50 | 4.25 | 0.45 | LKG1C273MESBBK |
| | 35 × 40 | 4.25 | 0.45 | LKG1C273MESCBK |
| 33000 | 35 × 45 | 4.50 | 0.57 | LKG1C333MESCBK |

| 25V(1E) | | | | |
|-----------|-----------------|---------------------|-------|----------------|
| Cap. (μF) | Size φD × L(mm) | Rated ripple (Arms) | tan δ | Code |
| 1800 | 20 × 20 | 1.35 | 0.30 | LKG1E182MESYBK |
| 2200 | 20 × 25 | 1.50 | 0.30 | LKG1E222MESYBK |
| | 25 × 20 | 1.50 | 0.30 | LKG1E222MESABK |
| 2700 | 20 × 30 | 1.70 | 0.30 | LKG1E272MESYBK |
| | 22 × 25 | 1.70 | 0.30 | LKG1E272MESZBK |
| 3300 | 20 × 35 | 1.80 | 0.30 | LKG1E332MESYBK |
| | 22 × 30 | 1.80 | 0.30 | LKG1E332MESZBK |
| | 30 × 20 | 1.85 | 0.30 | LKG1E332MESBBK |
| 3900 | 25 × 25 | 2.10 | 0.30 | LKG1E392MESABK |
| 4700 | 20 × 45 | 2.30 | 0.30 | LKG1E472MESYBK |
| | 22 × 35 | 2.30 | 0.30 | LKG1E472MESZBK |
| | 25 × 30 | 2.25 | 0.30 | LKG1E472MESABK |
| | 35 × 20 | 2.20 | 0.30 | LKG1E472MESCBK |
| 5600 | 20 × 50 | 2.50 | 0.30 | LKG1E562MESYBK |
| | 22 × 40 | 2.50 | 0.30 | LKG1E562MESZBK |
| | 25 × 35 | 2.40 | 0.30 | LKG1E562MESABK |
| | 30 × 25 | 2.50 | 0.30 | LKG1E562MESBBK |
| 6800 | 22 × 50 | 2.65 | 0.30 | LKG1E682MESZBK |
| | 25 × 40 | 2.65 | 0.30 | LKG1E682MESABK |
| | 30 × 30 | 2.65 | 0.30 | LKG1E682MESBBK |
| 8200 | 25 × 45 | 2.90 | 0.30 | LKG1E822MESABK |
| | 30 × 35 | 2.85 | 0.30 | LKG1E822MESBBK |
| | 35 × 25 | 3.05 | 0.30 | LKG1E822MESCBK |
| 10000 | 25 × 50 | 3.30 | 0.30 | LKG1E103MESABK |
| | 30 × 40 | 3.30 | 0.30 | LKG1E103MESBBK |
| | 35 × 30 | 3.30 | 0.30 | LKG1E103MESCBK |
| 12000 | 30 × 45 | 3.55 | 0.30 | LKG1E123MESBBK |
| | 35 × 35 | 3.50 | 0.30 | LKG1E123MESCBK |
| 15000 | 30 × 50 | 4.15 | 0.30 | LKG1E153MESBBK |
| | 35 × 40 | 4.00 | 0.30 | LKG1E153MESCBK |
| 18000 | 35 × 45 | 4.45 | 0.30 | LKG1E183MESCBK |

| 35V(1V) | | | | |
|-----------|-----------------|---------------------|-------|----------------|
| Cap. (μF) | Size φD × L(mm) | Rated ripple (Arms) | tan δ | Code |
| 1200 | 22 × 20 | 1.30 | 0.30 | LKG1V122MESZBK |
| 1500 | 20 × 25 | 1.40 | 0.30 | LKG1V152MESYBK |
| 1800 | 22 × 25 | 1.55 | 0.30 | LKG1V182MESZBK |
| | 25 × 20 | 1.65 | 0.30 | LKG1V182MESABK |
| 2200 | 20 × 30 | 1.75 | 0.30 | LKG1V222MESYBK |
| 2700 | 20 × 35 | 2.05 | 0.30 | LKG1V272MESYBK |
| | 22 × 30 | 2.05 | 0.30 | LKG1V272MESZBK |
| | 25 × 25 | 2.00 | 0.30 | LKG1V272MESABK |
| | 30 × 20 | 2.05 | 0.30 | LKG1V272MESBBK |
| 3300 | 20 × 40 | 2.25 | 0.30 | LKG1V332MESYBK |
| | 22 × 35 | 2.25 | 0.30 | LKG1V332MESZBK |
| | 25 × 30 | 2.20 | 0.30 | LKG1V332MESABK |
| 3900 | 20 × 45 | 2.40 | 0.30 | LKG1V392MESYBK |
| | 22 × 40 | 2.40 | 0.30 | LKG1V392MESZBK |
| | 25 × 35 | 2.30 | 0.30 | LKG1V392MESABK |
| | 30 × 25 | 2.40 | 0.30 | LKG1V392MESBBK |
| 4700 | 35 × 20 | 2.50 | 0.30 | LKG1V392MESCBK |
| | 22 × 45 | 2.70 | 0.30 | LKG1V472MESZBK |
| 5600 | 30 × 30 | 2.55 | 0.30 | LKG1V472MESBBK |
| | 22 × 50 | 3.00 | 0.30 | LKG1V562MESZBK |
| 6800 | 25 × 40 | 3.00 | 0.30 | LKG1V562MESABK |
| | 35 × 25 | 2.85 | 0.30 | LKG1V562MESCBK |
| | 25 × 50 | 3.10 | 0.30 | LKG1V682MESABK |
| 8200 | 30 × 35 | 3.30 | 0.30 | LKG1V682MESBBK |
| | 35 × 30 | 3.05 | 0.30 | LKG1V682MESCBK |
| | 30 × 40 | 3.60 | 0.30 | LKG1V822MESBBK |
| 10000 | 35 × 35 | 3.30 | 0.30 | LKG1V822MESCBK |
| | 30 × 50 | 3.80 | 0.30 | LKG1V103MESBBK |
| 12000 | 35 × 40 | 3.70 | 0.30 | LKG1V103MESCBK |
| | 35 × 45 | 4.10 | 0.30 | LKG1V123MESCBK |
| 15000 | 35 × 50 | 4.80 | 0.30 | LKG1V153MESCBK |

| 50V(1H) | | | | |
|-----------|-----------------|---------------------|-------|----------------|
| Cap. (μF) | Size φD × L(mm) | Rated ripple (Arms) | tan δ | Code |
| 820 | 22 × 20 | 1.00 | 0.30 | LKG1H821MESZBK |
| 1000 | 20 × 25 | 1.50 | 0.30 | LKG1H102MESYBK |
| | 25 × 20 | 1.50 | 0.30 | LKG1H102MESABK |
| 1200 | 20 × 30 | 1.65 | 0.30 | LKG1H122MESYBK |
| | 22 × 25 | 1.65 | 0.30 | LKG1H122MESZBK |
| 1500 | 20 × 35 | 1.80 | 0.30 | LKG1H152MESYBK |
| | 22 × 30 | 1.80 | 0.30 | LKG1H152MESZBK |
| | 30 × 20 | 1.80 | 0.30 | LKG1H152MESBBK |
| 1800 | 25 × 25 | 2.15 | 0.30 | LKG1H182MESABK |
| 2200 | 20 × 45 | 2.35 | 0.30 | LKG1H222MESYBK |
| | 22 × 35 | 2.35 | 0.30 | LKG1H222MESZBK |
| | 25 × 30 | 2.30 | 0.30 | LKG1H222MESABK |
| | 35 × 20 | 2.25 | 0.30 | LKG1H222MESCBK |
| 2700 | 20 × 50 | 2.45 | 0.30 | LKG1H272MESYBK |
| | 22 × 45 | 2.45 | 0.30 | LKG1H272MESZBK |
| | 25 × 35 | 2.50 | 0.30 | LKG1H272MESABK |
| | 30 × 25 | 2.60 | 0.30 | LKG1H272MESBBK |
| 3300 | 22 × 50 | 2.80 | 0.30 | LKG1H332MESZBK |
| | 25 × 40 | 2.80 | 0.30 | LKG1H332MESABK |
| | 30 × 30 | 2.80 | 0.30 | LKG1H332MESBBK |
| 3900 | 25 × 45 | 3.00 | 0.30 | LKG1H392MESABK |
| | 30 × 35 | 3.00 | 0.30 | LKG1H392MESBBK |
| | 35 × 25 | 3.15 | 0.30 | LKG1H392MESCBK |
| 4700 | 25 × 50 | 3.40 | 0.30 | LKG1H472MESABK |
| | 30 × 40 | 3.30 | 0.30 | LKG1H472MESBBK |
| | 35 × 30 | 3.35 | 0.30 | LKG1H472MESCBK |
| 5600 | 30 × 45 | 3.60 | 0.30 | LKG1H562MESBBK |
| | 35 × 35 | 3.60 | 0.30 | LKG1H562MESCBK |
| 6800 | 30 × 50 | 4.10 | 0.30 | LKG1H682MESBBK |
| | 35 × 40 | 3.95 | 0.30 | LKG1H682MESCBK |
| 8200 | 35 × 45 | 4.40 | 0.30 | LKG1H822MESCBK |
| 10000 | 35 × 50 | 5.05 | 0.30 | LKG1H103MESCBK |

Rated ripple current (Arms) at 85°C 120Hz

CAT.8100B

■Dimensions (Snap-in Terminal Type : Grade TYPE-II)

| 63V(1J) | | | | |
|-----------|-----------------|---------------------|-------|----------------|
| Cap. (μF) | Size φD × L(mm) | Rated ripple (Arms) | tan δ | Code |
| 820 | 20 × 25 | 1.65 | 0.30 | LKG1J821MESYBK |
| | 25 × 20 | 1.65 | 0.30 | LKG1J821MESABK |
| 1000 | 20 × 30 | 1.85 | 0.30 | LKG1J102MESYBK |
| | 22 × 25 | 1.85 | 0.30 | LKG1J102MESZBK |
| 1200 | 20 × 35 | 1.95 | 0.30 | LKG1J122MESYBK |
| | 22 × 30 | 1.95 | 0.30 | LKG1J122MESZBK |
| | 25 × 25 | 1.90 | 0.30 | LKG1J122MESABK |
| | 30 × 20 | 1.95 | 0.30 | LKG1J122MESBBK |
| 1500 | 20 × 40 | 2.15 | 0.30 | LKG1J152MESYBK |
| | 22 × 35 | 2.15 | 0.30 | LKG1J152MESZBK |
| | 25 × 30 | 2.10 | 0.30 | LKG1J152MESABK |
| 1800 | 20 × 45 | 2.35 | 0.30 | LKG1J182MESYBK |
| | 22 × 40 | 2.35 | 0.30 | LKG1J182MESZBK |
| | 30 × 25 | 2.35 | 0.30 | LKG1J182MESBBK |
| | 35 × 20 | 2.45 | 0.30 | LKG1J182MESCBK |
| 2200 | 22 × 45 | 2.70 | 0.30 | LKG1J222MESZBK |
| | 25 × 35 | 2.75 | 0.30 | LKG1J222MESABK |
| | 30 × 30 | 2.50 | 0.30 | LKG1J222MESBBK |
| 2700 | 25 × 45 | 2.80 | 0.30 | LKG1J272MESABK |
| | 30 × 35 | 2.75 | 0.30 | LKG1J272MESBBK |
| | 35 × 25 | 2.95 | 0.30 | LKG1J272MESCBK |
| 3300 | 25 × 50 | 3.20 | 0.30 | LKG1J332MESABK |
| | 30 × 40 | 3.20 | 0.30 | LKG1J332MESBBK |
| | 35 × 30 | 3.15 | 0.30 | LKG1J332MESCBK |
| 3900 | 30 × 45 | 3.35 | 0.30 | LKG1J392MESBBK |
| | 35 × 35 | 3.35 | 0.30 | LKG1J392MESCBK |
| 4700 | 30 × 50 | 3.80 | 0.30 | LKG1J472MESBBK |
| 5600 | 35 × 40 | 4.35 | 0.30 | LKG1J562MESCBK |
| 6800 | 35 × 50 | 4.60 | 0.30 | LKG1J682MESCBK |

| 80V(1K) | | | | |
|-----------|-----------------|---------------------|-------|----------------|
| Cap. (μF) | Size φD × L(mm) | Rated ripple (Arms) | tan δ | Code |
| 820 | 20 × 35 | 2.05 | 0.25 | LKG1K821MESYBK |
| | 22 × 30 | 2.05 | 0.25 | LKG1K821MESZBK |
| | 25 × 25 | 2.00 | 0.25 | LKG1K821MESABK |
| | 30 × 20 | 2.05 | 0.25 | LKG1K821MESBBK |
| 1000 | 20 × 45 | 2.20 | 0.25 | LKG1K102MESYBK |
| | 22 × 35 | 2.20 | 0.25 | LKG1K102MESZBK |
| | 25 × 30 | 2.15 | 0.25 | LKG1K102MESABK |
| | 35 × 20 | 2.10 | 0.25 | LKG1K102MESCBK |
| 1200 | 20 × 50 | 2.45 | 0.25 | LKG1K122MESYBK |
| | 22 × 40 | 2.45 | 0.25 | LKG1K122MESZBK |
| | 25 × 35 | 2.30 | 0.25 | LKG1K122MESABK |
| | 30 × 25 | 2.40 | 0.25 | LKG1K122MESBBK |
| 1500 | 22 × 50 | 2.60 | 0.25 | LKG1K152MESZBK |
| | 25 × 40 | 2.65 | 0.25 | LKG1K152MESABK |
| | 30 × 30 | 2.65 | 0.25 | LKG1K152MESBBK |
| 1800 | 25 × 45 | 2.85 | 0.25 | LKG1K182MESABK |
| | 30 × 35 | 2.85 | 0.25 | LKG1K182MESBBK |
| | 35 × 25 | 3.00 | 0.25 | LKG1K182MESCBK |
| 2200 | 25 × 50 | 3.25 | 0.25 | LKG1K222MESABK |
| | 30 × 40 | 3.15 | 0.25 | LKG1K222MESBBK |
| | 35 × 30 | 3.25 | 0.25 | LKG1K222MESCBK |
| 2700 | 30 × 45 | 3.60 | 0.25 | LKG1K272MESBBK |
| | 35 × 35 | 3.55 | 0.25 | LKG1K272MESCBK |
| 3300 | 30 × 50 | 4.10 | 0.25 | LKG1K332MESBBK |
| | 35 × 40 | 3.95 | 0.25 | LKG1K332MESCBK |
| 3900 | 35 × 45 | 4.35 | 0.25 | LKG1K392MESCBK |
| 4700 | 35 × 50 | 4.85 | 0.25 | LKG1K472MESCBK |

| 100V(2A) | | | | |
|-----------|-----------------|---------------------|-------|----------------|
| Cap. (μF) | Size φD × L(mm) | Rated ripple (Arms) | tan δ | Code |
| 680 | 20 × 40 | 2.15 | 0.25 | LKG2A681MESYBK |
| | 22 × 35 | 2.15 | 0.25 | LKG2A681MESZBK |
| | 25 × 30 | 2.10 | 0.25 | LKG2A681MESABK |
| 820 | 20 × 45 | 2.40 | 0.25 | LKG2A821MESYBK |
| | 22 × 40 | 2.40 | 0.25 | LKG2A821MESZBK |
| | 30 × 25 | 2.35 | 0.25 | LKG2A821MESBBK |
| | 35 × 20 | 2.45 | 0.25 | LKG2A821MESCBK |
| 1000 | 22 × 45 | 2.70 | 0.25 | LKG2A102MESZBK |
| | 25 × 35 | 2.75 | 0.25 | LKG2A102MESABK |
| 1200 | 22 × 50 | 3.00 | 0.25 | LKG2A122MESZBK |
| | 25 × 40 | 2.75 | 0.25 | LKG2A122MESABK |
| | 30 × 30 | 3.05 | 0.25 | LKG2A122MESBBK |
| | 35 × 25 | 2.90 | 0.25 | LKG2A122MESCBK |
| 1500 | 25 × 50 | 3.20 | 0.25 | LKG2A152MESABK |
| | 30 × 35 | 3.40 | 0.25 | LKG2A152MESBBK |
| | 35 × 30 | 3.20 | 0.25 | LKG2A152MESCBK |
| 1800 | 30 × 40 | 3.70 | 0.25 | LKG2A182MESBBK |
| | 35 × 35 | 3.40 | 0.25 | LKG2A182MESCBK |
| 2200 | 30 × 50 | 3.95 | 0.25 | LKG2A222MESBBK |
| | 35 × 40 | 3.80 | 0.25 | LKG2A222MESCBK |
| 2700 | 35 × 45 | 4.30 | 0.25 | LKG2A272MESCBK |
| 3300 | 35 × 50 | 4.95 | 0.25 | LKG2A332MESCBK |

Rated ripple current (Arms) at 85°C 120Hz



■ Dimensions (Snap-in Terminal Type : Grade TYPE-III)

| 16V(1C) | | | | |
|-----------|-----------------|---------------------|-------|----------------|
| Cap. (μF) | Size φD × L(mm) | Rated ripple (Arms) | tan δ | Code |
| 1000 | 20×20 | 0.90 | 0.25 | LKG1C102MESYCK |
| 1200 | 22×20 | 0.95 | 0.25 | LKG1C122MESZCK |
| 1500 | 20×25 | 1.10 | 0.25 | LKG1C152MESYCK |
| | 25×20 | 1.10 | 0.25 | LKG1C152MESACK |
| 1800 | 22×25 | 1.20 | 0.25 | LKG1C182MESZCK |
| 2200 | 20×30 | 1.35 | 0.25 | LKG1C222MESYCK |
| | 30×20 | 1.35 | 0.25 | LKG1C222MESBCK |
| 2700 | 20×35 | 1.75 | 0.25 | LKG1C272MESYCK |
| | 25×25 | 1.75 | 0.25 | LKG1C272MESACK |
| 3300 | 20×40 | 2.00 | 0.25 | LKG1C332MESYCK |
| | 25×30 | 2.00 | 0.25 | LKG1C332MESACK |
| | 35×20 | 1.95 | 0.25 | LKG1C332MESCK |
| 3900 | 20×50 | 2.30 | 0.25 | LKG1C392MESYCK |
| | 22×45 | 2.30 | 0.25 | LKG1C392MESZCK |
| | 25×35 | 2.35 | 0.25 | LKG1C392MESACK |
| 4700 | 30×25 | 2.35 | 0.25 | LKG1C392MESBCK |
| | 22×50 | 2.75 | 0.25 | LKG1C472MESZCK |
| | 25×40 | 2.70 | 0.25 | LKG1C472MESACK |
| | 30×30 | 2.70 | 0.25 | LKG1C472MESBCK |
| 5600 | 35×25 | 2.60 | 0.25 | LKG1C472MESCK |
| | 25×45 | 2.90 | 0.25 | LKG1C562MESACK |
| 6800 | 30×35 | 2.90 | 0.25 | LKG1C562MESBCK |
| | 25×50 | 3.20 | 0.25 | LKG1C682MESACK |
| | 30×40 | 3.20 | 0.25 | LKG1C682MESBCK |
| 8200 | 35×30 | 3.15 | 0.25 | LKG1C682MESCK |
| | 30×45 | 3.35 | 0.25 | LKG1C822MESBCK |
| 10000 | 35×35 | 3.30 | 0.25 | LKG1C822MESCK |
| | 35×40 | 3.50 | 0.25 | LKG1C103MESCK |
| 12000 | 35×45 | 3.70 | 0.25 | LKG1C123MESCK |

| 25V(1E) | | | | |
|-----------|-----------------|---------------------|-------|----------------|
| Cap. (μF) | Size φD × L(mm) | Rated ripple (Arms) | tan δ | Code |
| 680 | 20×20 | 0.65 | 0.22 | LKG1E681MESYCK |
| 820 | 22×20 | 0.75 | 0.22 | LKG1E821MESZCK |
| 1000 | 25×20 | 0.95 | 0.22 | LKG1E102MESACK |
| 1200 | 20×25 | 1.20 | 0.22 | LKG1E122MESYCK |
| 1500 | 20×30 | 1.30 | 0.22 | LKG1E152MESYCK |
| | 30×20 | 1.30 | 0.22 | LKG1E152MESBCK |
| 1800 | 20×35 | 1.60 | 0.22 | LKG1E182MESYCK |
| | 25×25 | 1.55 | 0.22 | LKG1E182MESACK |
| 2200 | 20×40 | 1.85 | 0.22 | LKG1E222MESYCK |
| | 22×35 | 1.85 | 0.22 | LKG1E222MESZCK |
| | 25×30 | 1.80 | 0.22 | LKG1E222MESACK |
| | 30×25 | 1.80 | 0.22 | LKG1E222MESBCK |
| 2700 | 35×20 | 1.75 | 0.22 | LKG1E222MESCK |
| | 20×50 | 2.20 | 0.22 | LKG1E272MESYCK |
| | 22×45 | 2.20 | 0.22 | LKG1E272MESZCK |
| 3300 | 25×35 | 2.15 | 0.22 | LKG1E272MESACK |
| | 22×50 | 2.50 | 0.22 | LKG1E332MESZCK |
| | 25×40 | 2.45 | 0.22 | LKG1E332MESACK |
| | 30×30 | 2.40 | 0.22 | LKG1E332MESBCK |
| 3900 | 35×25 | 2.45 | 0.22 | LKG1E332MESCK |
| | 25×45 | 2.80 | 0.22 | LKG1E392MESACK |
| 4700 | 30×35 | 2.80 | 0.22 | LKG1E392MESBCK |
| | 30×40 | 3.25 | 0.22 | LKG1E472MESBCK |
| 5600 | 35×30 | 3.15 | 0.22 | LKG1E472MESCK |
| | 30×45 | 3.50 | 0.22 | LKG1E562MESBCK |
| 6800 | 35×35 | 3.50 | 0.22 | LKG1E562MESCK |
| 8200 | 35×40 | 3.80 | 0.22 | LKG1E682MESCK |
| 8200 | 35×45 | 4.00 | 0.22 | LKG1E822MESCK |

| 35V(1V) | | | | |
|-----------|-----------------|---------------------|-------|----------------|
| Cap. (μF) | Size φD × L(mm) | Rated ripple (Arms) | tan δ | Code |
| 820 | 20×25 | 0.85 | 0.22 | LKG1V821MESYCK |
| | 25×20 | 0.85 | 0.22 | LKG1V821MESACK |
| 1000 | 20×30 | 1.05 | 0.22 | LKG1V102MESYCK |
| | 22×25 | 1.00 | 0.22 | LKG1V102MESZCK |
| 1200 | 20×35 | 1.45 | 0.22 | LKG1V122MESYCK |
| | 22×30 | 1.45 | 0.22 | LKG1V122MESZCK |
| | 25×25 | 1.40 | 0.22 | LKG1V122MESACK |
| | 30×20 | 1.40 | 0.22 | LKG1V122MESBCK |
| 1500 | 20×40 | 1.55 | 0.22 | LKG1V152MESYCK |
| | 22×35 | 1.55 | 0.22 | LKG1V152MESZCK |
| | 25×30 | 1.50 | 0.22 | LKG1V152MESACK |
| 1800 | 20×45 | 1.80 | 0.22 | LKG1V182MESYCK |
| | 22×40 | 1.75 | 0.22 | LKG1V182MESZCK |
| | 30×25 | 1.75 | 0.22 | LKG1V182MESBCK |
| | 35×20 | 1.70 | 0.22 | LKG1V182MESCK |
| 2200 | 20×50 | 2.00 | 0.22 | LKG1V222MESYCK |
| | 22×45 | 1.95 | 0.22 | LKG1V222MESZCK |
| | 25×35 | 1.95 | 0.22 | LKG1V222MESACK |
| | 30×30 | 1.95 | 0.22 | LKG1V222MESBCK |
| 2700 | 25×45 | 2.35 | 0.22 | LKG1V272MESACK |
| | 30×35 | 2.30 | 0.22 | LKG1V272MESBCK |
| | 35×25 | 2.30 | 0.22 | LKG1V272MESCK |
| 3300 | 25×50 | 2.70 | 0.22 | LKG1V332MESACK |
| | 30×40 | 2.70 | 0.22 | LKG1V332MESBCK |
| | 35×30 | 2.65 | 0.22 | LKG1V332MESCK |
| 3900 | 30×45 | 3.00 | 0.22 | LKG1V392MESBCK |
| | 35×35 | 3.00 | 0.22 | LKG1V392MESCK |
| 4700 | 30×50 | 3.55 | 0.22 | LKG1V472MESBCK |
| | 35×40 | 3.55 | 0.22 | LKG1V472MESCK |
| 5600 | 35×45 | 3.80 | 0.22 | LKG1V562MESCK |
| 6800 | 35×50 | 4.15 | 0.22 | LKG1V682MESCK |

| 50V(1H) | | | | |
|-----------|-----------------|---------------------|-------|----------------|
| Cap. (μF) | Size φD × L(mm) | Rated ripple (Arms) | tan δ | Code |
| 680 | 20×30 | 1.05 | 0.22 | LKG1H681MESYCK |
| | 22×25 | 1.00 | 0.22 | LKG1H681MESZCK |
| 820 | 22×30 | 1.40 | 0.22 | LKG1H821MESZCK |
| | 25×25 | 1.35 | 0.22 | LKG1H821MESACK |
| | 30×20 | 1.35 | 0.22 | LKG1H821MESBCK |
| 1000 | 20×35 | 1.80 | 0.22 | LKG1H102MESYCK |
| | 20×40 | 1.95 | 0.22 | LKG1H122MESYCK |
| | 25×30 | 1.95 | 0.22 | LKG1H122MESACK |
| | 30×25 | 1.90 | 0.22 | LKG1H122MESBCK |
| 1200 | 35×20 | 1.90 | 0.22 | LKG1H122MESCK |
| | 20×50 | 2.20 | 0.22 | LKG1H152MESYCK |
| | 22×45 | 2.20 | 0.22 | LKG1H152MESZCK |
| | 25×35 | 2.15 | 0.22 | LKG1H152MESACK |
| 1500 | 30×30 | 2.15 | 0.22 | LKG1H152MESBCK |
| | 22×50 | 2.45 | 0.22 | LKG1H182MESZCK |
| | 25×40 | 2.45 | 0.22 | LKG1H182MESACK |
| 1800 | 35×25 | 2.40 | 0.22 | LKG1H182MESCK |
| | 25×50 | 2.65 | 0.22 | LKG1H222MESACK |
| | 30×35 | 2.60 | 0.22 | LKG1H222MESBCK |
| 2200 | 35×30 | 2.60 | 0.22 | LKG1H222MESCK |
| | 30×45 | 3.00 | 0.22 | LKG1H272MESBCK |
| | 35×35 | 2.95 | 0.22 | LKG1H272MESCK |
| 2700 | 30×50 | 3.30 | 0.22 | LKG1H332MESBCK |
| | 35×40 | 3.25 | 0.22 | LKG1H332MESCK |
| 3900 | 35×45 | 3.50 | 0.22 | LKG1H392MESCK |
| 4700 | 35×50 | 3.90 | 0.22 | LKG1H472MESCK |

Rated ripple current (Arms) at 85°C 120Hz

■Dimensions (Snap-in Terminal Type : Grade TYPE-III)

| 63V(1J) | | | | |
|-----------|-----------------|---------------------|-------|----------------|
| Cap. (μF) | Size φD × L(mm) | Rated ripple (Arms) | tan δ | Code |
| 680 | 20 × 30 | 1.75 | 0.22 | LKG1J681MESYCK |
| | 22 × 25 | 1.75 | 0.22 | LKG1J681MESZCK |
| | 30 × 20 | 1.90 | 0.22 | LKG1J681MESBCK |
| 820 | 20 × 35 | 1.90 | 0.22 | LKG1J821MESYCK |
| | 22 × 30 | 1.90 | 0.22 | LKG1J821MESZCK |
| | 25 × 25 | 1.85 | 0.22 | LKG1J821MESACK |
| 1000 | 20 × 40 | 2.10 | 0.22 | LKG1J102MESYCK |
| | 22 × 35 | 2.05 | 0.22 | LKG1J102MESZCK |
| | 25 × 30 | 2.00 | 0.22 | LKG1J102MESACK |
| 1200 | 20 × 45 | 2.35 | 0.22 | LKG1J122MESYCK |
| | 22 × 40 | 2.25 | 0.22 | LKG1J122MESZCK |
| | 30 × 25 | 2.20 | 0.22 | LKG1J122MESBCK |
| | 35 × 20 | 2.30 | 0.22 | LKG1J122MESACK |
| 1500 | 22 × 45 | 2.60 | 0.22 | LKG1J152MESZCK |
| | 25 × 35 | 2.65 | 0.22 | LKG1J152MESACK |
| 1800 | 22 × 50 | 2.90 | 0.22 | LKG1J182MESZCK |
| | 25 × 40 | 2.90 | 0.22 | LKG1J182MESACK |
| | 30 × 30 | 2.90 | 0.22 | LKG1J182MESBCK |
| | 35 × 25 | 2.75 | 0.22 | LKG1J182MESACK |
| 2200 | 25 × 45 | 3.25 | 0.22 | LKG1J222MESACK |
| | 30 × 35 | 3.20 | 0.22 | LKG1J222MESBCK |
| 2700 | 30 × 45 | 3.30 | 0.22 | LKG1J272MESBCK |
| | 35 × 30 | 3.65 | 0.22 | LKG1J272MESACK |
| 3300 | 30 × 50 | 3.80 | 0.22 | LKG1J332MESBCK |
| | 35 × 35 | 4.00 | 0.22 | LKG1J332MESACK |
| 3900 | 35 × 40 | 4.30 | 0.22 | LKG1J392MESACK |
| 4700 | 35 × 50 | 4.50 | 0.22 | LKG1J472MESACK |

| 80V(1K) | | | | |
|-----------|-----------------|---------------------|-------|----------------|
| Cap. (μF) | Size φD × L(mm) | Rated ripple (Arms) | tan δ | Code |
| 680 | 20 × 45 | 2.10 | 0.20 | LKG1K681MESYCK |
| | 22 × 35 | 2.25 | 0.20 | LKG1K681MESZCK |
| | 25 × 30 | 2.15 | 0.20 | LKG1K681MESACK |
| 820 | 20 × 50 | 2.40 | 0.20 | LKG1K821MESYCK |
| | 22 × 40 | 2.45 | 0.20 | LKG1K821MESZCK |
| | 25 × 35 | 2.35 | 0.20 | LKG1K821MESACK |
| | 30 × 25 | 2.40 | 0.20 | LKG1K821MESBCK |
| | 35 × 20 | 2.55 | 0.20 | LKG1K821MESACK |
| 1000 | 22 × 50 | 2.60 | 0.20 | LKG1K102MESZCK |
| | 25 × 40 | 2.60 | 0.20 | LKG1K102MESACK |
| | 30 × 30 | 2.60 | 0.20 | LKG1K102MESBCK |
| 1200 | 25 × 45 | 2.85 | 0.20 | LKG1K122MESACK |
| | 30 × 35 | 2.80 | 0.20 | LKG1K122MESBCK |
| | 35 × 25 | 2.95 | 0.20 | LKG1K122MESACK |
| 1500 | 25 × 50 | 3.30 | 0.20 | LKG1K152MESACK |
| | 30 × 40 | 3.20 | 0.20 | LKG1K152MESBCK |
| | 35 × 30 | 3.25 | 0.20 | LKG1K152MESACK |
| 1800 | 30 × 45 | 3.55 | 0.20 | LKG1K182MESBCK |
| | 35 × 35 | 3.50 | 0.20 | LKG1K182MESACK |
| 2200 | 30 × 50 | 4.05 | 0.20 | LKG1K222MESBCK |
| | 35 × 40 | 3.90 | 0.20 | LKG1K222MESACK |
| 2700 | 35 × 45 | 4.45 | 0.20 | LKG1K272MESACK |
| 3300 | 35 × 50 | 5.05 | 0.20 | LKG1K332MESACK |

| 100V(2A) | | | | |
|-----------|-----------------|---------------------|-------|----------------|
| Cap. (μF) | Size φD × L(mm) | Rated ripple (Arms) | tan δ | Code |
| 680 | 22 × 45 | 2.65 | 0.20 | LKG2A681MESZCK |
| | 25 × 35 | 2.70 | 0.20 | LKG2A681MESACK |
| 820 | 22 × 50 | 3.00 | 0.20 | LKG2A821MESZCK |
| | 25 × 40 | 3.00 | 0.20 | LKG2A821MESACK |
| | 30 × 30 | 3.00 | 0.20 | LKG2A821MESBCK |
| | 35 × 25 | 2.85 | 0.20 | LKG2A821MESACK |
| 1000 | 25 × 50 | 3.10 | 0.20 | LKG2A102MESACK |
| | 30 × 35 | 3.30 | 0.20 | LKG2A102MESBCK |
| | 35 × 30 | 3.05 | 0.20 | LKG2A102MESACK |
| 1200 | 30 × 40 | 3.60 | 0.20 | LKG2A122MESBCK |
| | 35 × 35 | 3.30 | 0.20 | LKG2A122MESACK |
| 1500 | 30 × 50 | 3.90 | 0.20 | LKG2A152MESBCK |
| | 35 × 40 | 3.75 | 0.20 | LKG2A152MESACK |
| 1800 | 35 × 45 | 4.15 | 0.20 | LKG2A182MESACK |
| 2200 | 35 × 50 | 4.75 | 0.20 | LKG2A222MESACK |

Rated ripple current (Arms) at 85°C 120Hz



■Dimensions (Lug Terminal Type : Grade TYPE- I)

| Rated Voltage (V)(code) | Cap. (μF) | Size φD × L(mm) | Rated ripple (Arms) | tan δ | Code |
|-------------------------|-----------|-----------------|---------------------|-------|--------------|
| 50V(1H) | 22000 | 40 × 68 | 5.40 | 0.30 | LKG1H223MKNF |
| 63V(1J) | 15000 | 40 × 68 | 5.60 | 0.30 | LKG1J153MKNF |
| | 22000 | 40 × 100 | 6.60 | 0.30 | LKG1J223MKNF |
| 80V(1K) | 10000 | 40 × 68 | 5.40 | 0.25 | LKG1K103MKNF |
| | 15000 | 40 × 100 | 6.50 | 0.25 | LKG1K153MKNF |
| | 22000 | 50 × 100 | 7.80 | 0.25 | LKG1K223MKZF |
| 100V(2A) | 6800 | 40 × 68 | 5.10 | 0.25 | LKG2A682MKNF |
| | 10000 | 40 × 100 | 6.00 | 0.25 | LKG2A103MKNF |
| | 15000 | 50 × 100 | 7.40 | 0.25 | LKG2A153MKZF |
| | 22000 | 63 × 80 | 9.70 | 0.25 | LKG2A223MKZF |

■Dimensions (Lug Terminal Type : Grade TYPE- II)

| Rated Voltage (V)(code) | Cap. (μF) | Size φD × L(mm) | Rated ripple (Arms) | tan δ | Code |
|-------------------------|-----------|-----------------|---------------------|-------|-------------|
| 50(1H) | 10000 | 35 × 80 | 4.60 | 0.30 | LKG1H103MKN |
| | 15000 | 40 × 80 | 6.10 | 0.30 | LKG1H153MKN |
| | 22000 | 50 × 80 | 8.30 | 0.30 | LKG1H223MKZ |
| 63(1J) | 6800 | 35 × 68 | 4.30 | 0.30 | LKG1J682MKN |
| | 10000 | 40 × 80 | 4.90 | 0.30 | LKG1J103MKN |
| | 15000 | 40 × 100 | 6.70 | 0.30 | LKG1J153MKN |
| | 22000 | 50 × 100 | 9.10 | 0.30 | LKG1J223MKZ |
| 80(1K) | 6800 | 40 × 100 | 6.10 | 0.25 | LKG1K682MKN |
| | 10000 | 50 × 80 | 6.20 | 0.25 | LKG1K103MKZ |
| | 15000 | 50 × 100 | 8.40 | 0.25 | LKG1K153MKZ |
| | 22000 | 63 × 100 | 11.6 | 0.25 | LKG1K223MKZ |
| 100(2A) | 6800 | 50 × 80 | 6.20 | 0.25 | LKG2A682MKZ |
| | 10000 | 50 × 100 | 6.90 | 0.25 | LKG2A103MKZ |
| | 15000 | 63 × 80 | 8.70 | 0.25 | LKG2A153MKZ |
| | 22000 | 76 × 100 | 12.9 | 0.25 | LKG2A223MKZ |

■Dimensions (Lug Terminal Type : Grade TYPE- III)

| Rated Voltage (V)(code) | Cap. (μF) | Size φD × L(mm) | Rated ripple (Arms) | tan δ | Code |
|-------------------------|-----------|-----------------|---------------------|-------|--------------|
| 50(1H) | 6800 | 40 × 80 | 5.50 | 0.22 | LKG1H682MKNS |
| | 10000 | 40 × 100 | 6.10 | 0.22 | LKG1H103MKNS |
| | 15000 | 50 × 100 | 8.40 | 0.22 | LKG1H153MKZS |
| | 22000 | 63 × 80 | 10.5 | 0.22 | LKG1H223MKZS |
| 63(1J) | 6800 | 40 × 100 | 6.10 | 0.22 | LKG1J682MKNS |
| | 10000 | 50 × 80 | 6.20 | 0.22 | LKG1J103MKZS |
| | 15000 | 63 × 80 | 8.70 | 0.22 | LKG1J153MKZS |
| | 22000 | 63 × 100 | 11.6 | 0.22 | LKG1J223MKZS |
| 80(1K) | 6800 | 50 × 80 | 6.70 | 0.20 | LKG1K682MKZS |
| | 10000 | 63 × 80 | 7.60 | 0.20 | LKG1K103MKZS |
| | 15000 | 63 × 100 | 10.1 | 0.20 | LKG1K153MKZS |
| | 22000 | 76 × 100 | 13.7 | 0.20 | LKG1K223MKZS |
| 100(2A) | 6800 | 50 × 100 | 7.30 | 0.20 | LKG2A682MKZS |
| | 10000 | 63 × 100 | 8.30 | 0.20 | LKG2A103MKZS |
| | 15000 | 76 × 100 | 11.3 | 0.20 | LKG2A153MKZS |

Rated ripple current (Arms) at 85°C 120Hz



Компания «ЭлектроПласт» предлагает заключение долгосрочных отношений при поставках импортных электронных компонентов на взаимовыгодных условиях!

Наши преимущества:

- Оперативные поставки широкого спектра электронных компонентов отечественного и импортного производства напрямую от производителей и с крупнейших мировых складов;
- Поставка более 17-ти миллионов наименований электронных компонентов;
- Поставка сложных, дефицитных, либо снятых с производства позиций;
- Оперативные сроки поставки под заказ (от 5 рабочих дней);
- Экспресс доставка в любую точку России;
- Техническая поддержка проекта, помощь в подборе аналогов, поставка прототипов;
- Система менеджмента качества сертифицирована по Международному стандарту ISO 9001;
- Лицензия ФСБ на осуществление работ с использованием сведений, составляющих государственную тайну;
- Поставка специализированных компонентов (Xilinx, Altera, Analog Devices, Intersil, Interpoint, Microsemi, Aeroflex, Peregrine, Syfer, Eurofarad, Texas Instrument, Miteq, Cobham, E2V, MA-COM, Hittite, Mini-Circuits, General Dynamics и др.);

Помимо этого, одним из направлений компании «ЭлектроПласт» является направление «Источники питания». Мы предлагаем Вам помощь Конструкторского отдела:

- Подбор оптимального решения, техническое обоснование при выборе компонента;
- Подбор аналогов;
- Консультации по применению компонента;
- Поставка образцов и прототипов;
- Техническая поддержка проекта;
- Защита от снятия компонента с производства.



Как с нами связаться

Телефон: 8 (812) 309 58 32 (многоканальный)

Факс: 8 (812) 320-02-42

Электронная почта: org@eplast1.ru

Адрес: 198099, г. Санкт-Петербург, ул. Калинина, дом 2, корпус 4, литера А.