

# ALUMINUM ELECTROLYTIC CAPACITORS

**KG** Lug / Snap-in Terminal Type,  
For Audio Equipment  
series



- Designed for high grade audio equipment, giving priority to high fidelity sound quality.
- The variation expansion of the KG series.
  - TYPE- I : The low profile high tone quality grade of the new development electrolyte adoption.
  - TYPE- II : The center grade that the best sound is provided electrode foil, with the multiple use.
  - TYPE- III : The highest tone quality grade by the low drag the gold plating terminal adoption.
- The sound quality that it meets the high tone quality needs for HD Audio equipment.
- Compliant to the RoHS directive (2002/95/EC).



## Specifications

| Item                          | Performance Characteristics                                                                                                                                                                                                                                                                                                                                                                                             |                    |                    |      |           |           |  |                  |    |          |          |    |          |          |              |      |      |      |      |      |      |
|-------------------------------|-------------------------------------------------------------------------------------------------------------------------------------------------------------------------------------------------------------------------------------------------------------------------------------------------------------------------------------------------------------------------------------------------------------------------|--------------------|--------------------|------|-----------|-----------|--|------------------|----|----------|----------|----|----------|----------|--------------|------|------|------|------|------|------|
| Category Temperature Range    | - 40 to +85°C                                                                                                                                                                                                                                                                                                                                                                                                           |                    |                    |      |           |           |  |                  |    |          |          |    |          |          |              |      |      |      |      |      |      |
| Rated Voltage Range           | 16 to 100V (TYPE- I , TYPE- II , TYPE- III)                                                                                                                                                                                                                                                                                                                                                                             |                    |                    |      |           |           |  |                  |    |          |          |    |          |          |              |      |      |      |      |      |      |
| Rated Capacitance Range       | 680 to 33000μF                                                                                                                                                                                                                                                                                                                                                                                                          |                    |                    |      |           |           |  |                  |    |          |          |    |          |          |              |      |      |      |      |      |      |
| Capacitance Tolerance         | ±20% at 120Hz, 20°C                                                                                                                                                                                                                                                                                                                                                                                                     |                    |                    |      |           |           |  |                  |    |          |          |    |          |          |              |      |      |      |      |      |      |
| Leakage Current               | After 5 minutes' application of rated voltage, leakage current is not more than $3\sqrt{CV}$ (μA), [C: Rated Capacitance(μF), V: Voltage (V)]                                                                                                                                                                                                                                                                           |                    |                    |      |           |           |  |                  |    |          |          |    |          |          |              |      |      |      |      |      |      |
| Tangent of loss angle (tan δ) | For capacitance of more than 22000μF, add 0.02 for every increase of 1000μF. Measurement frequency : 120Hz at 20°C                                                                                                                                                                                                                                                                                                      |                    |                    |      |           |           |  |                  |    |          |          |    |          |          |              |      |      |      |      |      |      |
|                               | <table border="1"> <thead> <tr> <th>TYPE</th> <th colspan="3">TYPE- I , TYPE- II</th> <th colspan="2">TYPE- III</th> </tr> </thead> <tbody> <tr> <td>Rated voltage(V)</td> <td>16</td> <td>25 to 63</td> <td>80 • 100</td> <td>16</td> <td>25 to 63</td> <td>80 • 100</td> </tr> <tr> <td>tan δ (MAX.)</td> <td>0.35</td> <td>0.30</td> <td>0.25</td> <td>0.25</td> <td>0.22</td> <td>0.20</td> </tr> </tbody> </table> | TYPE               | TYPE- I , TYPE- II |      |           | TYPE- III |  | Rated voltage(V) | 16 | 25 to 63 | 80 • 100 | 16 | 25 to 63 | 80 • 100 | tan δ (MAX.) | 0.35 | 0.30 | 0.25 | 0.25 | 0.22 | 0.20 |
|                               | TYPE                                                                                                                                                                                                                                                                                                                                                                                                                    | TYPE- I , TYPE- II |                    |      | TYPE- III |           |  |                  |    |          |          |    |          |          |              |      |      |      |      |      |      |
| Rated voltage(V)              | 16                                                                                                                                                                                                                                                                                                                                                                                                                      | 25 to 63           | 80 • 100           | 16   | 25 to 63  | 80 • 100  |  |                  |    |          |          |    |          |          |              |      |      |      |      |      |      |
| tan δ (MAX.)                  | 0.35                                                                                                                                                                                                                                                                                                                                                                                                                    | 0.30               | 0.25               | 0.25 | 0.22      | 0.20      |  |                  |    |          |          |    |          |          |              |      |      |      |      |      |      |
| tan δ (MAX.)                  | 0.35                                                                                                                                                                                                                                                                                                                                                                                                                    | 0.30               | 0.25               | 0.25 | 0.22      | 0.20      |  |                  |    |          |          |    |          |          |              |      |      |      |      |      |      |

## Type numbering system (Snap-in terminal type)

(Example : Gold Tune 25 V 6800μF, Dia.φ30)

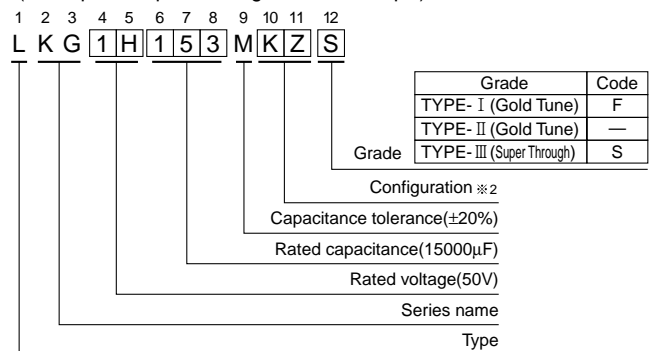


※1 Configuration

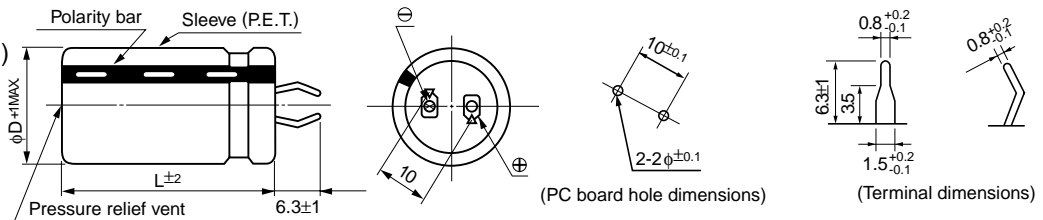
|                    |    |
|--------------------|----|
| Pb-free terminal   | ES |
| Pb-free PET sleeve | ES |

## Type numbering system (Lug terminal type)

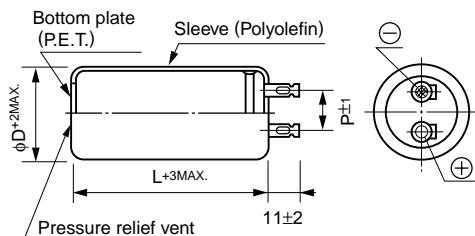
(Example : Super Through 50 V 15000μF)



## (Snap-in terminal type)

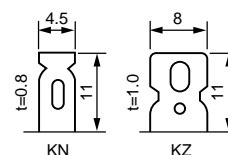


## (Lug terminal type)



## Configuration ※2

φ35 to φ40 φ50 to φ76



|               | (mm) |    |    |    |    |
|---------------|------|----|----|----|----|
| φD            | 35   | 40 | 50 | 63 | 76 |
| P             | 14   | 14 | 18 | 25 | 25 |
| Configuration | KN   |    | KZ |    |    |

• Dimension table in next page.

## ■Dimensions (Snap-in Terminal Type : Grade TYPE- I )

| 16V(1C)   |                 |                     |       |                |
|-----------|-----------------|---------------------|-------|----------------|
| Cap. (μF) | Size φD × L(mm) | Rated ripple (Arms) | tan δ | Code           |
| 4700      | 22×20           | 1.35                | 0.35  | LKG1C472MESZAK |
| 5600      | 20×25           | 1.45                | 0.35  | LKG1C562MESYAK |
| 6800      | 25×20           | 1.70                | 0.35  | LKG1C682MESAAK |
| 8200      | 20×30           | 1.90                | 0.35  | LKG1C822MESYAK |
|           | 22×25           | 1.90                | 0.35  | LKG1C822MESZAK |
| 10000     | 20×35           | 2.05                | 0.35  | LKG1C103MESYAK |
|           | 22×30           | 2.05                | 0.35  | LKG1C103MESZAK |
|           | 25×25           | 2.00                | 0.35  | LKG1C103MESAAK |
|           | 30×20           | 2.10                | 0.35  | LKG1C103MESBAK |
| 12000     | 20×40           | 2.25                | 0.35  | LKG1C123MESYAK |
|           | 22×35           | 2.20                | 0.35  | LKG1C123MESZAK |
|           | 25×30           | 2.15                | 0.35  | LKG1C123MESAAK |
|           | 35×20           | 2.10                | 0.35  | LKG1C123MESCAK |
| 15000     | 20×45           | 2.60                | 0.35  | LKG1C153MESYAK |
|           | 22×40           | 2.50                | 0.35  | LKG1C153MESZAK |
|           | 25×35           | 2.40                | 0.35  | LKG1C153MESAAK |
|           | 30×25           | 2.50                | 0.35  | LKG1C153MESBAK |
| 18000     | 22×45           | 2.80                | 0.35  | LKG1C183MESZAK |
|           | 25×40           | 2.60                | 0.35  | LKG1C183MESAAK |
|           | 30×30           | 2.65                | 0.35  | LKG1C183MESBAK |
| 22000     | 25×45           | 2.95                | 0.35  | LKG1C223MESAAK |
|           | 30×35           | 2.90                | 0.35  | LKG1C223MESBAK |
|           | 35×25           | 2.90                | 0.35  | LKG1C223MESCAK |
| 27000     | 25×50           | 3.40                | 0.45  | LKG1C273MESAAK |
|           | 30×40           | 3.25                | 0.45  | LKG1C273MESBAK |
|           | 35×30           | 3.35                | 0.45  | LKG1C273MESCAK |
| 33000     | 30×45           | 3.70                | 0.57  | LKG1C333MESBAK |
|           | 35×35           | 3.65                | 0.57  | LKG1C333MESCAK |

| 25V(1E)   |                 |                     |       |                |
|-----------|-----------------|---------------------|-------|----------------|
| Cap. (μF) | Size φD × L(mm) | Rated ripple (Arms) | tan δ | Code           |
| 3300      | 22×20           | 1.50                | 0.30  | LKG1E332MESZAK |
| 3900      | 20×25           | 1.60                | 0.30  | LKG1E392MESYAK |
|           | 25×20           | 1.55                | 0.30  | LKG1E392MESAAK |
| 4700      | 20×30           | 1.70                | 0.30  | LKG1E472MESYAK |
|           | 22×25           | 1.70                | 0.30  | LKG1E472MESZAK |
| 5600      | 30×20           | 1.85                | 0.30  | LKG1E562MESBAK |
| 6800      | 20×35           | 2.20                | 0.30  | LKG1E682MESYAK |
|           | 22×30           | 2.20                | 0.30  | LKG1E682MESZAK |
|           | 25×25           | 2.15                | 0.30  | LKG1E682MESAAK |
| 8200      | 20×40           | 2.40                | 0.30  | LKG1E822MESYAK |
|           | 22×35           | 2.35                | 0.30  | LKG1E822MESZAK |
|           | 25×30           | 2.30                | 0.30  | LKG1E822MESAAK |
|           | 35×20           | 2.25                | 0.30  | LKG1E822MESCAK |
| 10000     | 20×50           | 2.55                | 0.30  | LKG1E103MESYAK |
|           | 22×40           | 2.65                | 0.30  | LKG1E103MESZAK |
|           | 25×35           | 2.50                | 0.30  | LKG1E103MESAAK |
|           | 30×25           | 2.65                | 0.30  | LKG1E103MESBAK |
| 12000     | 22×45           | 2.90                | 0.30  | LKG1E123MESZAK |
|           | 25×40           | 2.75                | 0.30  | LKG1E123MESAAK |
|           | 30×30           | 2.80                | 0.30  | LKG1E123MESBAK |
|           | 35×25           | 2.65                | 0.30  | LKG1E123MESCAK |
| 15000     | 25×45           | 3.15                | 0.30  | LKG1E153MESAAK |
|           | 30×35           | 3.10                | 0.30  | LKG1E153MESBAK |
| 18000     | 25×50           | 3.55                | 0.30  | LKG1E183MESAAK |
|           | 30×40           | 3.40                | 0.30  | LKG1E183MESBAK |
|           | 35×30           | 3.50                | 0.30  | LKG1E183MESCAK |
| 22000     | 30×45           | 3.85                | 0.30  | LKG1E223MESBAK |
|           | 35×35           | 3.85                | 0.30  | LKG1E223MESCAK |
| 27000     | 35×40           | 4.30                | 0.40  | LKG1E273MESCAK |
| 33000     | 35×45           | 4.85                | 0.52  | LKG1E333MESCAK |

| 35V(1V)   |                 |                     |       |                |
|-----------|-----------------|---------------------|-------|----------------|
| Cap. (μF) | Size φD × L(mm) | Rated ripple (Arms) | tan δ | Code           |
| 2200      | 22×20           | 1.45                | 0.30  | LKG1V222MESZAK |
| 2700      | 20×25           | 1.60                | 0.30  | LKG1V272MESYAK |
|           | 25×20           | 1.55                | 0.30  | LKG1V272MESAAK |
| 3300      | 20×30           | 1.75                | 0.30  | LKG1V332MESYAK |
|           | 22×25           | 1.75                | 0.30  | LKG1V332MESZAK |
| 3900      | 30×20           | 1.85                | 0.30  | LKG1V392MESBAK |
| 4700      | 20×35           | 2.20                | 0.30  | LKG1V472MESYAK |
|           | 22×30           | 2.20                | 0.30  | LKG1V472MESZAK |
|           | 25×25           | 2.15                | 0.30  | LKG1V472MESAAK |
| 5600      | 20×40           | 2.40                | 0.30  | LKG1V562MESYAK |
|           | 22×35           | 2.35                | 0.30  | LKG1V562MESZAK |
|           | 25×30           | 2.25                | 0.30  | LKG1V562MESAAK |
|           | 35×20           | 2.25                | 0.30  | LKG1V562MESCAK |
| 6800      | 20×50           | 2.50                | 0.30  | LKG1V682MESYAK |
|           | 22×40           | 2.60                | 0.30  | LKG1V682MESZAK |
|           | 30×25           | 2.60                | 0.30  | LKG1V682MESBAK |
| 8200      | 22×45           | 2.90                | 0.30  | LKG1V822MESZAK |
|           | 25×40           | 2.70                | 0.30  | LKG1V822MESAAK |
|           | 30×30           | 2.75                | 0.30  | LKG1V822MESBAK |
| 10000     | 25×45           | 3.05                | 0.30  | LKG1V103MESAAK |
|           | 30×35           | 3.00                | 0.30  | LKG1V103MESBAK |
|           | 35×25           | 3.20                | 0.30  | LKG1V103MESCAK |
| 12000     | 25×50           | 3.45                | 0.30  | LKG1V123MESAAK |
|           | 30×40           | 3.30                | 0.30  | LKG1V123MESBAK |
|           | 35×30           | 3.40                | 0.30  | LKG1V123MESCAK |
| 15000     | 30×45           | 3.80                | 0.30  | LKG1V153MESBAK |
|           | 35×35           | 3.80                | 0.30  | LKG1V153MESCAK |
| 18000     | 30×50           | 4.30                | 0.30  | LKG1V183MESBAK |
|           | 35×40           | 4.15                | 0.30  | LKG1V183MESCAK |
| 22000     | 35×45           | 4.70                | 0.30  | LKG1V223MESCAK |

| 50V(1H)   |                 |                     |       |                |
|-----------|-----------------|---------------------|-------|----------------|
| Cap. (μF) | Size φD × L(mm) | Rated ripple (Arms) | tan δ | Code           |
| 1500      | 22×20           | 1.55                | 0.30  | LKG1H152MESZAK |
| 1800      | 20×25           | 1.70                | 0.30  | LKG1H182MESYAK |
|           | 25×20           | 1.65                | 0.30  | LKG1H182MESAAK |
| 2200      | 20×30           | 1.85                | 0.30  | LKG1H222MESYAK |
|           | 22×25           | 1.85                | 0.30  | LKG1H222MESZAK |
| 2700      | 20×35           | 2.00                | 0.30  | LKG1H272MESYAK |
|           | 22×30           | 2.00                | 0.30  | LKG1H272MESZAK |
|           | 25×25           | 1.95                | 0.30  | LKG1H272MESAAK |
|           | 30×20           | 2.05                | 0.30  | LKG1H272MESBAK |
| 3300      | 20×40           | 2.25                | 0.30  | LKG1H332MESYAK |
|           | 22×35           | 2.20                | 0.30  | LKG1H332MESZAK |
| 3900      | 20×45           | 2.45                | 0.30  | LKG1H392MESYAK |
|           | 22×40           | 2.35                | 0.30  | LKG1H392MESZAK |
|           | 25×30           | 2.50                | 0.30  | LKG1H392MESAAK |
|           | 30×25           | 2.35                | 0.30  | LKG1H392MESBAK |
| 4700      | 35×20           | 2.45                | 0.30  | LKG1H392MESCAK |
|           | 20×50           | 2.75                | 0.30  | LKG1H472MESYAK |
|           | 22×45           | 2.60                | 0.30  | LKG1H472MESZAK |
| 5600      | 25×35           | 2.70                | 0.30  | LKG1H472MESAAK |
|           | 22×50           | 2.90                | 0.30  | LKG1H562MESZAK |
|           | 25×40           | 2.90                | 0.30  | LKG1H562MESAAK |
| 6800      | 30×30           | 3.00                | 0.30  | LKG1H562MESBAK |
|           | 35×25           | 2.85                | 0.30  | LKG1H562MESCAK |
|           | 25×45           | 3.30                | 0.30  | LKG1H682MESAAK |
| 8200      | 30×35           | 3.25                | 0.30  | LKG1H682MESBAK |
|           | 30×40           | 3.55                | 0.30  | LKG1H822MESBAK |
| 10000     | 35×30           | 3.65                | 0.30  | LKG1H822MESCAK |
|           | 30×45           | 4.00                | 0.30  | LKG1H103MESBAK |
| 12000     | 35×35           | 4.00                | 0.30  | LKG1H103MESCAK |
|           | 35×40           | 4.35                | 0.30  | LKG1H123MESCAK |
| 15000     | 35×50           | 4.70                | 0.30  | LKG1H153MESCAK |

Rated ripple current (Arms) at 85°C 120Hz

■ Dimensions (Snap-in Terminal Type : Grade TYPE- I )

| 63V(1J)   |                 |                     |       |                |
|-----------|-----------------|---------------------|-------|----------------|
| Cap. (μF) | Size φD × L(mm) | Rated ripple (Arms) | tan δ | Code           |
| 820       | 22 × 20         | 1.30                | 0.30  | LKG1J821MESZAK |
| 1000      | 20 × 25         | 1.45                | 0.30  | LKG1J102MESYAK |
| 1200      | 25 × 20         | 1.65                | 0.30  | LKG1J122MESAAK |
| 1500      | 20 × 30         | 1.90                | 0.30  | LKG1J152MESYAK |
|           | 22 × 25         | 1.90                | 0.30  | LKG1J152MESZAK |
| 1800      | 20 × 35         | 2.05                | 0.30  | LKG1J182MESYAK |
|           | 22 × 30         | 2.00                | 0.30  | LKG1J182MESZAK |
|           | 25 × 25         | 2.00                | 0.30  | LKG1J182MESAAK |
|           | 30 × 20         | 2.05                | 0.30  | LKG1J182MESBAK |
| 2200      | 20 × 40         | 2.25                | 0.30  | LKG1J222MESYAK |
|           | 22 × 35         | 2.20                | 0.30  | LKG1J222MESZAK |
|           | 25 × 30         | 2.15                | 0.30  | LKG1J222MESAAK |
|           | 35 × 20         | 2.10                | 0.30  | LKG1J222MESCAK |
| 2700      | 20 × 50         | 2.40                | 0.30  | LKG1J272MESYAK |
|           | 22 × 40         | 2.45                | 0.30  | LKG1J272MESZAK |
|           | 25 × 35         | 2.35                | 0.30  | LKG1J272MESAAK |
|           | 30 × 25         | 2.50                | 0.30  | LKG1J272MESBAK |
| 3300      | 22 × 45         | 2.80                | 0.30  | LKG1J332MESZAK |
|           | 25 × 40         | 2.60                | 0.30  | LKG1J332MESAAK |
|           | 30 × 30         | 2.70                | 0.30  | LKG1J332MESBAK |
| 3900      | 25 × 45         | 2.85                | 0.30  | LKG1J392MESAAK |
|           | 30 × 35         | 2.85                | 0.30  | LKG1J392MESBAK |
|           | 35 × 25         | 3.00                | 0.30  | LKG1J392MESCAK |
| 4700      | 25 × 50         | 3.20                | 0.30  | LKG1J472MESAAK |
|           | 30 × 40         | 3.10                | 0.30  | LKG1J472MESBAK |
|           | 35 × 30         | 3.20                | 0.30  | LKG1J472MESCAK |
| 5600      | 30 × 45         | 3.45                | 0.30  | LKG1J562MESBAK |
|           | 35 × 35         | 3.40                | 0.30  | LKG1J562MESCAK |
| 6800      | 30 × 50         | 3.90                | 0.30  | LKG1J682MESBAK |
|           | 35 × 40         | 3.75                | 0.30  | LKG1J682MESCAK |
| 8200      | 35 × 45         | 4.20                | 0.30  | LKG1J822MESCAK |
| 10000     | 35 × 50         | 4.80                | 0.30  | LKG1J103MESCAK |

| 80V(1K)   |                 |                     |       |                |
|-----------|-----------------|---------------------|-------|----------------|
| Cap. (μF) | Size φD × L(mm) | Rated ripple (Arms) | tan δ | Code           |
| 820       | 20 × 25         | 1.70                | 0.25  | LKG1K821MESYAK |
|           | 25 × 20         | 1.65                | 0.25  | LKG1K821MESAAK |
| 1000      | 20 × 30         | 1.80                | 0.25  | LKG1K102MESYAK |
|           | 22 × 25         | 1.85                | 0.25  | LKG1K102MESZAK |
| 1200      | 20 × 35         | 1.95                | 0.25  | LKG1K122MESYAK |
|           | 22 × 30         | 1.95                | 0.25  | LKG1K122MESZAK |
|           | 25 × 25         | 1.90                | 0.25  | LKG1K122MESAAK |
|           | 30 × 20         | 2.00                | 0.25  | LKG1K122MESBAK |
| 1500      | 20 × 40         | 2.20                | 0.25  | LKG1K152MESYAK |
|           | 22 × 35         | 2.15                | 0.25  | LKG1K152MESZAK |
|           | 25 × 30         | 2.10                | 0.25  | LKG1K152MESAAK |
| 1800      | 20 × 45         | 2.45                | 0.25  | LKG1K182MESYAK |
|           | 22 × 40         | 2.35                | 0.25  | LKG1K182MESZAK |
|           | 30 × 25         | 2.40                | 0.25  | LKG1K182MESBAK |
|           | 35 × 20         | 2.50                | 0.25  | LKG1K182MESCAK |
| 2200      | 22 × 45         | 2.70                | 0.25  | LKG1K222MESZAK |
|           | 25 × 35         | 2.75                | 0.25  | LKG1K222MESAAK |
|           | 30 × 30         | 2.55                | 0.25  | LKG1K222MESBAK |
| 2700      | 30 × 35         | 2.80                | 0.25  | LKG1K272MESBAK |
|           | 35 × 25         | 3.00                | 0.25  | LKG1K272MESCAK |
| 3300      | 25 × 50         | 3.25                | 0.25  | LKG1K332MESAAK |
|           | 30 × 40         | 3.15                | 0.25  | LKG1K332MESBAK |
|           | 35 × 30         | 3.20                | 0.25  | LKG1K332MESCAK |
| 3900      | 30 × 45         | 3.45                | 0.25  | LKG1K392MESBAK |
|           | 35 × 35         | 3.40                | 0.25  | LKG1K392MESCAK |
| 4700      | 30 × 45         | 3.85                | 0.25  | LKG1K472MESBAK |
|           | 35 × 40         | 3.75                | 0.25  | LKG1K472MESCAK |
| 5600      | 35 × 45         | 4.10                | 0.25  | LKG1K562MESCAK |
| 6800      | 35 × 50         | 4.65                | 0.25  | LKG1K682MESCAK |

| 100V(2A)  |                 |                     |       |                |
|-----------|-----------------|---------------------|-------|----------------|
| Cap. (μF) | Size φD × L(mm) | Rated ripple (Arms) | tan δ | Code           |
| 680       | 20 × 30         | 1.70                | 0.25  | LKG2A681MESYAK |
|           | 22 × 25         | 1.75                | 0.25  | LKG2A681MESZAK |
| 820       | 20 × 35         | 1.85                | 0.25  | LKG2A821MESYAK |
|           | 22 × 30         | 1.85                | 0.25  | LKG2A821MESZAK |
|           | 25 × 25         | 1.80                | 0.25  | LKG2A821MESAAK |
|           | 30 × 20         | 1.90                | 0.25  | LKG2A821MESBAK |
| 1000      | 20 × 40         | 2.05                | 0.25  | LKG2A102MESYAK |
| 1200      | 20 × 45         | 2.30                | 0.25  | LKG2A122MESYAK |
|           | 22 × 40         | 2.20                | 0.25  | LKG2A122MESZAK |
|           | 25 × 30         | 2.35                | 0.25  | LKG2A122MESAAK |
|           | 30 × 25         | 2.20                | 0.25  | LKG2A122MESBAK |
|           | 35 × 20         | 2.30                | 0.25  | LKG2A122MESCAK |
| 1500      | 20 × 50         | 2.65                | 0.25  | LKG2A152MESYAK |
|           | 22 × 45         | 2.55                | 0.25  | LKG2A152MESZAK |
|           | 25 × 35         | 2.60                | 0.25  | LKG2A152MESAAK |
| 1800      | 22 × 50         | 2.85                | 0.25  | LKG2A182MESZAK |
|           | 25 × 40         | 2.85                | 0.25  | LKG2A182MESAAK |
|           | 30 × 30         | 2.90                | 0.25  | LKG2A182MESBAK |
|           | 35 × 25         | 2.75                | 0.25  | LKG2A182MESCAK |
| 2200      | 25 × 45         | 3.20                | 0.25  | LKG2A222MESAAK |
|           | 30 × 35         | 3.20                | 0.25  | LKG2A222MESBAK |
|           | 35 × 30         | 3.00                | 0.25  | LKG2A222MESCAK |
| 2700      | 30 × 40         | 3.55                | 0.25  | LKG2A272MESBAK |
|           | 35 × 35         | 3.25                | 0.25  | LKG2A272MESCAK |
| 3300      | 30 × 50         | 3.75                | 0.25  | LKG2A332MESBAK |
| 3900      | 35 × 40         | 4.30                | 0.25  | LKG2A392MESCAK |
| 4700      | 35 × 50         | 4.50                | 0.25  | LKG2A472MESCAK |

Rated ripple current (Arms) at 85°C 120Hz

# ALUMINUM ELECTROLYTIC CAPACITORS



■Dimensions (Snap-in Terminal Type : Grade TYPE- II)

| 16V(1C)   |                 |                     |       |                |
|-----------|-----------------|---------------------|-------|----------------|
| Cap. (μF) | Size φD × L(mm) | Rated ripple (Arms) | tan δ | Code           |
| 2200      | 20 × 20         | 1.10                | 0.35  | LKG1C222MESYBK |
| 3300      | 22 × 20         | 1.50                | 0.35  | LKG1C332MESZBK |
| 3900      | 20 × 25         | 1.55                | 0.35  | LKG1C392MESYBK |
|           | 25 × 20         | 1.55                | 0.35  | LKG1C392MESABK |
| 4700      | 20 × 30         | 1.75                | 0.35  | LKG1C472MESYBK |
|           | 22 × 25         | 1.75                | 0.35  | LKG1C472MESZBK |
| 5600      | 30 × 20         | 1.85                | 0.35  | LKG1C562MESBBK |
| 6800      | 20 × 35         | 2.20                | 0.35  | LKG1C682MESYBK |
|           | 22 × 30         | 2.20                | 0.35  | LKG1C682MESZBK |
|           | 25 × 25         | 2.15                | 0.35  | LKG1C682MESABK |
| 8200      | 20 × 40         | 2.40                | 0.35  | LKG1C822MESYBK |
|           | 22 × 35         | 2.40                | 0.35  | LKG1C822MESZBK |
|           | 25 × 30         | 2.30                | 0.35  | LKG1C822MESABK |
|           | 35 × 20         | 2.25                | 0.35  | LKG1C822MESCBK |
| 10000     | 20 × 50         | 2.65                | 0.35  | LKG1C103MESYBK |
|           | 22 × 40         | 2.65                | 0.35  | LKG1C103MESZBK |
|           | 25 × 35         | 2.45                | 0.35  | LKG1C103MESABK |
|           | 30 × 25         | 2.50                | 0.35  | LKG1C103MESBBK |
| 12000     | 22 × 50         | 2.75                | 0.35  | LKG1C123MESZBK |
|           | 25 × 40         | 2.75                | 0.35  | LKG1C123MESABK |
|           | 30 × 30         | 2.75                | 0.35  | LKG1C123MESBBK |
|           | 35 × 25         | 2.60                | 0.35  | LKG1C123MESCBK |
| 15000     | 25 × 45         | 3.10                | 0.35  | LKG1C153MESABK |
|           | 30 × 35         | 3.10                | 0.35  | LKG1C153MESBBK |
| 18000     | 25 × 50         | 3.50                | 0.35  | LKG1C183MESABK |
|           | 30 × 40         | 3.40                | 0.35  | LKG1C183MESBBK |
|           | 35 × 30         | 3.45                | 0.35  | LKG1C183MESCBK |
| 22000     | 30 × 45         | 3.80                | 0.35  | LKG1C223MESBBK |
|           | 35 × 35         | 3.80                | 0.35  | LKG1C223MESCBK |
| 27000     | 30 × 50         | 4.25                | 0.45  | LKG1C273MESBBK |
|           | 35 × 40         | 4.25                | 0.45  | LKG1C273MESCBK |
| 33000     | 35 × 45         | 4.50                | 0.57  | LKG1C333MESCBK |

| 35V(1V)   |                 |                     |       |                |
|-----------|-----------------|---------------------|-------|----------------|
| Cap. (μF) | Size φD × L(mm) | Rated ripple (Arms) | tan δ | Code           |
| 1200      | 22 × 20         | 1.30                | 0.30  | LKG1V122MESZBK |
| 1500      | 20 × 25         | 1.40                | 0.30  | LKG1V152MESYBK |
| 1800      | 22 × 25         | 1.55                | 0.30  | LKG1V182MESZBK |
|           | 25 × 20         | 1.65                | 0.30  | LKG1V182MESABK |
| 2200      | 20 × 30         | 1.75                | 0.30  | LKG1V222MESYBK |
| 2700      | 20 × 35         | 2.05                | 0.30  | LKG1V272MESYBK |
|           | 22 × 30         | 2.05                | 0.30  | LKG1V272MESZBK |
|           | 25 × 25         | 2.00                | 0.30  | LKG1V272MESABK |
|           | 30 × 20         | 2.05                | 0.30  | LKG1V272MESBBK |
| 3300      | 20 × 40         | 2.25                | 0.30  | LKG1V332MESYBK |
|           | 22 × 35         | 2.25                | 0.30  | LKG1V332MESZBK |
|           | 25 × 30         | 2.20                | 0.30  | LKG1V332MESABK |
| 3900      | 20 × 45         | 2.40                | 0.30  | LKG1V392MESYBK |
|           | 22 × 40         | 2.40                | 0.30  | LKG1V392MESZBK |
|           | 25 × 35         | 2.30                | 0.30  | LKG1V392MESABK |
|           | 30 × 25         | 2.40                | 0.30  | LKG1V392MESBBK |
| 4700      | 35 × 20         | 2.50                | 0.30  | LKG1V392MESCBK |
|           | 22 × 45         | 2.70                | 0.30  | LKG1V472MESZBK |
| 5600      | 30 × 30         | 2.55                | 0.30  | LKG1V472MESBBK |
|           | 22 × 50         | 3.00                | 0.30  | LKG1V562MESZBK |
| 6800      | 25 × 40         | 3.00                | 0.30  | LKG1V562MESABK |
|           | 35 × 25         | 2.85                | 0.30  | LKG1V562MESCBK |
|           | 25 × 50         | 3.10                | 0.30  | LKG1V682MESABK |
| 8200      | 30 × 35         | 3.30                | 0.30  | LKG1V682MESBBK |
|           | 35 × 30         | 3.05                | 0.30  | LKG1V682MESCBK |
|           | 30 × 40         | 3.60                | 0.30  | LKG1V822MESBBK |
| 10000     | 35 × 35         | 3.30                | 0.30  | LKG1V822MESCBK |
|           | 30 × 50         | 3.80                | 0.30  | LKG1V103MESBBK |
| 12000     | 35 × 40         | 3.70                | 0.30  | LKG1V103MESCBK |
|           | 35 × 45         | 4.10                | 0.30  | LKG1V123MESCBK |
| 15000     | 35 × 50         | 4.80                | 0.30  | LKG1V153MESCBK |

| 25V(1E)   |                 |                     |       |                |
|-----------|-----------------|---------------------|-------|----------------|
| Cap. (μF) | Size φD × L(mm) | Rated ripple (Arms) | tan δ | Code           |
| 1800      | 20 × 20         | 1.35                | 0.30  | LKG1E182MESYBK |
| 2200      | 20 × 25         | 1.50                | 0.30  | LKG1E222MESYBK |
|           | 25 × 20         | 1.50                | 0.30  | LKG1E222MESABK |
| 2700      | 20 × 30         | 1.70                | 0.30  | LKG1E272MESYBK |
|           | 22 × 25         | 1.70                | 0.30  | LKG1E272MESZBK |
| 3300      | 20 × 35         | 1.80                | 0.30  | LKG1E332MESYBK |
|           | 22 × 30         | 1.80                | 0.30  | LKG1E332MESZBK |
|           | 30 × 20         | 1.85                | 0.30  | LKG1E332MESBBK |
| 3900      | 25 × 25         | 2.10                | 0.30  | LKG1E392MESABK |
| 4700      | 20 × 45         | 2.30                | 0.30  | LKG1E472MESYBK |
|           | 22 × 35         | 2.30                | 0.30  | LKG1E472MESZBK |
|           | 25 × 30         | 2.25                | 0.30  | LKG1E472MESABK |
|           | 35 × 20         | 2.20                | 0.30  | LKG1E472MESCBK |
| 5600      | 20 × 50         | 2.50                | 0.30  | LKG1E562MESYBK |
|           | 22 × 40         | 2.50                | 0.30  | LKG1E562MESZBK |
|           | 25 × 35         | 2.40                | 0.30  | LKG1E562MESABK |
|           | 30 × 25         | 2.50                | 0.30  | LKG1E562MESBBK |
| 6800      | 22 × 50         | 2.65                | 0.30  | LKG1E682MESZBK |
|           | 25 × 40         | 2.65                | 0.30  | LKG1E682MESABK |
|           | 30 × 30         | 2.65                | 0.30  | LKG1E682MESBBK |
| 8200      | 25 × 45         | 2.90                | 0.30  | LKG1E822MESABK |
|           | 30 × 35         | 2.85                | 0.30  | LKG1E822MESBBK |
|           | 35 × 25         | 3.05                | 0.30  | LKG1E822MESCBK |
| 10000     | 25 × 50         | 3.30                | 0.30  | LKG1E103MESABK |
|           | 30 × 40         | 3.30                | 0.30  | LKG1E103MESBBK |
|           | 35 × 30         | 3.30                | 0.30  | LKG1E103MESCBK |
| 12000     | 30 × 45         | 3.55                | 0.30  | LKG1E123MESBBK |
|           | 35 × 35         | 3.50                | 0.30  | LKG1E123MESCBK |
| 15000     | 30 × 50         | 4.15                | 0.30  | LKG1E153MESBBK |
|           | 35 × 40         | 4.00                | 0.30  | LKG1E153MESCBK |
| 18000     | 35 × 45         | 4.45                | 0.30  | LKG1E183MESCBK |

| 50V(1H)   |                 |                     |       |                |
|-----------|-----------------|---------------------|-------|----------------|
| Cap. (μF) | Size φD × L(mm) | Rated ripple (Arms) | tan δ | Code           |
| 820       | 22 × 20         | 1.00                | 0.30  | LKG1H821MESZBK |
| 1000      | 20 × 25         | 1.50                | 0.30  | LKG1H102MESYBK |
|           | 25 × 20         | 1.50                | 0.30  | LKG1H102MESABK |
| 1200      | 20 × 30         | 1.65                | 0.30  | LKG1H122MESYBK |
|           | 22 × 25         | 1.65                | 0.30  | LKG1H122MESZBK |
| 1500      | 20 × 35         | 1.80                | 0.30  | LKG1H152MESYBK |
|           | 22 × 30         | 1.80                | 0.30  | LKG1H152MESZBK |
|           | 30 × 20         | 1.80                | 0.30  | LKG1H152MESBBK |
| 1800      | 25 × 25         | 2.15                | 0.30  | LKG1H182MESABK |
|           | 20 × 45         | 2.35                | 0.30  | LKG1H222MESYBK |
|           | 22 × 35         | 2.35                | 0.30  | LKG1H222MESZBK |
|           | 25 × 30         | 2.30                | 0.30  | LKG1H222MESABK |
| 2200      | 35 × 20         | 2.25                | 0.30  | LKG1H222MESCBK |
|           | 20 × 50         | 2.45                | 0.30  | LKG1H272MESYBK |
|           | 22 × 45         | 2.45                | 0.30  | LKG1H272MESZBK |
| 2700      | 25 × 35         | 2.50                | 0.30  | LKG1H272MESABK |
|           | 30 × 25         | 2.60                | 0.30  | LKG1H272MESBBK |
|           | 22 × 50         | 2.80                | 0.30  | LKG1H332MESZBK |
| 3300      | 25 × 40         | 2.80                | 0.30  | LKG1H332MESABK |
|           | 30 × 30         | 2.80                | 0.30  | LKG1H332MESBBK |
|           | 25 × 45         | 3.00                | 0.30  | LKG1H392MESABK |
| 3900      | 30 × 35         | 3.00                | 0.30  | LKG1H392MESBBK |
|           | 35 × 25         | 3.15                | 0.30  | LKG1H392MESCBK |
|           | 25 × 50         | 3.40                | 0.30  | LKG1H472MESABK |
| 4700      | 30 × 40         | 3.30                | 0.30  | LKG1H472MESBBK |
|           | 35 × 30         | 3.35                | 0.30  | LKG1H472MESCBK |
|           | 30 × 45         | 3.60                | 0.30  | LKG1H562MESBBK |
| 5600      | 35 × 35         | 3.60                | 0.30  | LKG1H562MESCBK |
|           | 30 × 50         | 4.10                | 0.30  | LKG1H682MESBBK |
| 6800      | 35 × 40         | 3.95                | 0.30  | LKG1H682MESCBK |
|           | 8200            | 35 × 45             | 4.40  | 0.30           |
| 10000     | 35 × 50         | 5.05                | 0.30  | LKG1H103MESCBK |

Rated ripple current (Arms) at 85°C 120Hz

CAT.8100B

## ■Dimensions (Snap-in Terminal Type : Grade TYPE-II)

| 63V(1J)   |                 |                     |       |                |
|-----------|-----------------|---------------------|-------|----------------|
| Cap. (μF) | Size φD × L(mm) | Rated ripple (Arms) | tan δ | Code           |
| 820       | 20 × 25         | 1.65                | 0.30  | LKG1J821MESYBK |
|           | 25 × 20         | 1.65                | 0.30  | LKG1J821MESABK |
| 1000      | 20 × 30         | 1.85                | 0.30  | LKG1J102MESYBK |
|           | 22 × 25         | 1.85                | 0.30  | LKG1J102MESZBK |
| 1200      | 20 × 35         | 1.95                | 0.30  | LKG1J122MESYBK |
|           | 22 × 30         | 1.95                | 0.30  | LKG1J122MESZBK |
|           | 25 × 25         | 1.90                | 0.30  | LKG1J122MESABK |
|           | 30 × 20         | 1.95                | 0.30  | LKG1J122MESBBK |
| 1500      | 20 × 40         | 2.15                | 0.30  | LKG1J152MESYBK |
|           | 22 × 35         | 2.15                | 0.30  | LKG1J152MESZBK |
|           | 25 × 30         | 2.10                | 0.30  | LKG1J152MESABK |
| 1800      | 20 × 45         | 2.35                | 0.30  | LKG1J182MESYBK |
|           | 22 × 40         | 2.35                | 0.30  | LKG1J182MESZBK |
|           | 30 × 25         | 2.35                | 0.30  | LKG1J182MESBBK |
|           | 35 × 20         | 2.45                | 0.30  | LKG1J182MESCBK |
| 2200      | 22 × 45         | 2.70                | 0.30  | LKG1J222MESZBK |
|           | 25 × 35         | 2.75                | 0.30  | LKG1J222MESABK |
|           | 30 × 30         | 2.50                | 0.30  | LKG1J222MESBBK |
| 2700      | 25 × 45         | 2.80                | 0.30  | LKG1J272MESABK |
|           | 30 × 35         | 2.75                | 0.30  | LKG1J272MESBBK |
|           | 35 × 25         | 2.95                | 0.30  | LKG1J272MESCBK |
| 3300      | 25 × 50         | 3.20                | 0.30  | LKG1J332MESABK |
|           | 30 × 40         | 3.20                | 0.30  | LKG1J332MESBBK |
|           | 35 × 30         | 3.15                | 0.30  | LKG1J332MESCBK |
| 3900      | 30 × 45         | 3.35                | 0.30  | LKG1J392MESBBK |
|           | 35 × 35         | 3.35                | 0.30  | LKG1J392MESCBK |
| 4700      | 30 × 50         | 3.80                | 0.30  | LKG1J472MESBBK |
| 5600      | 35 × 40         | 4.35                | 0.30  | LKG1J562MESCBK |
| 6800      | 35 × 50         | 4.60                | 0.30  | LKG1J682MESCBK |

| 80V(1K)   |                 |                     |       |                |
|-----------|-----------------|---------------------|-------|----------------|
| Cap. (μF) | Size φD × L(mm) | Rated ripple (Arms) | tan δ | Code           |
| 820       | 20 × 35         | 2.05                | 0.25  | LKG1K821MESYBK |
|           | 22 × 30         | 2.05                | 0.25  | LKG1K821MESZBK |
|           | 25 × 25         | 2.00                | 0.25  | LKG1K821MESABK |
|           | 30 × 20         | 2.05                | 0.25  | LKG1K821MESBBK |
| 1000      | 20 × 45         | 2.20                | 0.25  | LKG1K102MESYBK |
|           | 22 × 35         | 2.20                | 0.25  | LKG1K102MESZBK |
|           | 25 × 30         | 2.15                | 0.25  | LKG1K102MESABK |
|           | 35 × 20         | 2.10                | 0.25  | LKG1K102MESCBK |
| 1200      | 20 × 50         | 2.45                | 0.25  | LKG1K122MESYBK |
|           | 22 × 40         | 2.45                | 0.25  | LKG1K122MESZBK |
|           | 25 × 35         | 2.30                | 0.25  | LKG1K122MESABK |
|           | 30 × 25         | 2.40                | 0.25  | LKG1K122MESBBK |
| 1500      | 22 × 50         | 2.60                | 0.25  | LKG1K152MESZBK |
|           | 25 × 40         | 2.65                | 0.25  | LKG1K152MESABK |
|           | 30 × 30         | 2.65                | 0.25  | LKG1K152MESBBK |
| 1800      | 25 × 45         | 2.85                | 0.25  | LKG1K182MESABK |
|           | 30 × 35         | 2.85                | 0.25  | LKG1K182MESBBK |
|           | 35 × 25         | 3.00                | 0.25  | LKG1K182MESCBK |
| 2200      | 25 × 50         | 3.25                | 0.25  | LKG1K222MESABK |
|           | 30 × 40         | 3.15                | 0.25  | LKG1K222MESBBK |
|           | 35 × 30         | 3.25                | 0.25  | LKG1K222MESCBK |
| 2700      | 30 × 45         | 3.60                | 0.25  | LKG1K272MESBBK |
|           | 35 × 35         | 3.55                | 0.25  | LKG1K272MESCBK |
| 3300      | 30 × 50         | 4.10                | 0.25  | LKG1K332MESBBK |
|           | 35 × 40         | 3.95                | 0.25  | LKG1K332MESCBK |
| 3900      | 35 × 45         | 4.35                | 0.25  | LKG1K392MESCBK |
| 4700      | 35 × 50         | 4.85                | 0.25  | LKG1K472MESCBK |

| 100V(2A)  |                 |                     |       |                |
|-----------|-----------------|---------------------|-------|----------------|
| Cap. (μF) | Size φD × L(mm) | Rated ripple (Arms) | tan δ | Code           |
| 680       | 20 × 40         | 2.15                | 0.25  | LKG2A681MESYBK |
|           | 22 × 35         | 2.15                | 0.25  | LKG2A681MESZBK |
|           | 25 × 30         | 2.10                | 0.25  | LKG2A681MESABK |
| 820       | 20 × 45         | 2.40                | 0.25  | LKG2A821MESYBK |
|           | 22 × 40         | 2.40                | 0.25  | LKG2A821MESZBK |
|           | 30 × 25         | 2.35                | 0.25  | LKG2A821MESBBK |
|           | 35 × 20         | 2.45                | 0.25  | LKG2A821MESCBK |
| 1000      | 22 × 45         | 2.70                | 0.25  | LKG2A102MESZBK |
|           | 25 × 35         | 2.75                | 0.25  | LKG2A102MESABK |
| 1200      | 22 × 50         | 3.00                | 0.25  | LKG2A122MESZBK |
|           | 25 × 40         | 2.75                | 0.25  | LKG2A122MESABK |
|           | 30 × 30         | 3.05                | 0.25  | LKG2A122MESBBK |
|           | 35 × 25         | 2.90                | 0.25  | LKG2A122MESCBK |
| 1500      | 25 × 50         | 3.20                | 0.25  | LKG2A152MESABK |
|           | 30 × 35         | 3.40                | 0.25  | LKG2A152MESBBK |
|           | 35 × 30         | 3.20                | 0.25  | LKG2A152MESCBK |
| 1800      | 30 × 40         | 3.70                | 0.25  | LKG2A182MESBBK |
|           | 35 × 35         | 3.40                | 0.25  | LKG2A182MESCBK |
| 2200      | 30 × 50         | 3.95                | 0.25  | LKG2A222MESBBK |
|           | 35 × 40         | 3.80                | 0.25  | LKG2A222MESCBK |
| 2700      | 35 × 45         | 4.30                | 0.25  | LKG2A272MESCBK |
| 3300      | 35 × 50         | 4.95                | 0.25  | LKG2A332MESCBK |

Rated ripple current (Arms) at 85°C 120Hz



## ■Dimensions (Snap-in Terminal Type : Grade TYPE-III)

| 16V(1C)   |                 |                     |       |                |               |
|-----------|-----------------|---------------------|-------|----------------|---------------|
| Cap. (μF) | Size φD × L(mm) | Rated ripple (Arms) | tan δ | Code           |               |
| 1000      | 20×20           | 0.90                | 0.25  | LKG1C102MESYCK |               |
| 1200      | 22×20           | 0.95                | 0.25  | LKG1C122MESZCK |               |
| 1500      | 20×25           | 1.10                | 0.25  | LKG1C152MESYCK |               |
|           | 25×20           | 1.10                | 0.25  | LKG1C152MESACK |               |
| 1800      | 22×25           | 1.20                | 0.25  | LKG1C182MESZCK |               |
| 2200      | 20×30           | 1.35                | 0.25  | LKG1C222MESYCK |               |
|           | 30×20           | 1.35                | 0.25  | LKG1C222MESBCK |               |
| 2700      | 20×35           | 1.75                | 0.25  | LKG1C272MESYCK |               |
|           | 25×25           | 1.75                | 0.25  | LKG1C272MESACK |               |
| 3300      | 20×40           | 2.00                | 0.25  | LKG1C332MESYCK |               |
|           | 25×30           | 2.00                | 0.25  | LKG1C332MESACK |               |
|           | 35×20           | 1.95                | 0.25  | LKG1C332MESCK  |               |
| 3900      | 20×50           | 2.30                | 0.25  | LKG1C392MESYCK |               |
|           | 22×45           | 2.30                | 0.25  | LKG1C392MESZCK |               |
|           | 25×35           | 2.35                | 0.25  | LKG1C392MESACK |               |
| 4700      | 30×25           | 2.35                | 0.25  | LKG1C392MESBCK |               |
|           | 22×50           | 2.75                | 0.25  | LKG1C472MESZCK |               |
|           | 25×40           | 2.70                | 0.25  | LKG1C472MESACK |               |
|           | 30×30           | 2.70                | 0.25  | LKG1C472MESBCK |               |
| 5600      | 35×25           | 2.60                | 0.25  | LKG1C472MESCK  |               |
|           | 25×45           | 2.90                | 0.25  | LKG1C562MESACK |               |
| 6800      | 30×35           | 2.90                | 0.25  | LKG1C562MESBCK |               |
|           | 25×50           | 3.20                | 0.25  | LKG1C682MESACK |               |
| 8200      | 30×40           | 3.20                | 0.25  | LKG1C682MESBCK |               |
|           | 35×30           | 3.15                | 0.25  | LKG1C682MESCK  |               |
| 10000     | 30×45           | 3.35                | 0.25  | LKG1C822MESBCK |               |
|           | 35×35           | 3.30                | 0.25  | LKG1C822MESCK  |               |
| 12000     | 35×40           | 3.50                | 0.25  | LKG1C103MESCK  |               |
|           | 12000           | 35×45               | 3.70  | 0.25           | LKG1C123MESCK |

| 25V(1E)   |                 |                     |       |                |               |
|-----------|-----------------|---------------------|-------|----------------|---------------|
| Cap. (μF) | Size φD × L(mm) | Rated ripple (Arms) | tan δ | Code           |               |
| 680       | 20×20           | 0.65                | 0.22  | LKG1E681MESYCK |               |
| 820       | 22×20           | 0.75                | 0.22  | LKG1E821MESZCK |               |
| 1000      | 25×20           | 0.95                | 0.22  | LKG1E102MESACK |               |
| 1200      | 20×25           | 1.20                | 0.22  | LKG1E122MESYCK |               |
| 1500      | 20×30           | 1.30                | 0.22  | LKG1E152MESYCK |               |
|           | 30×20           | 1.30                | 0.22  | LKG1E152MESBCK |               |
| 1800      | 20×35           | 1.60                | 0.22  | LKG1E182MESYCK |               |
|           | 25×25           | 1.55                | 0.22  | LKG1E182MESACK |               |
| 2200      | 20×40           | 1.85                | 0.22  | LKG1E222MESYCK |               |
|           | 22×35           | 1.85                | 0.22  | LKG1E222MESZCK |               |
|           | 25×30           | 1.80                | 0.22  | LKG1E222MESACK |               |
|           | 30×25           | 1.80                | 0.22  | LKG1E222MESBCK |               |
| 2700      | 35×20           | 1.75                | 0.22  | LKG1E222MESCK  |               |
|           | 20×50           | 2.20                | 0.22  | LKG1E272MESYCK |               |
|           | 22×45           | 2.20                | 0.22  | LKG1E272MESZCK |               |
| 3300      | 25×35           | 2.15                | 0.22  | LKG1E272MESACK |               |
|           | 22×50           | 2.50                | 0.22  | LKG1E332MESZCK |               |
|           | 25×40           | 2.45                | 0.22  | LKG1E332MESACK |               |
|           | 30×30           | 2.40                | 0.22  | LKG1E332MESBCK |               |
| 3900      | 35×25           | 2.45                | 0.22  | LKG1E332MESCK  |               |
|           | 25×45           | 2.80                | 0.22  | LKG1E392MESACK |               |
| 4700      | 30×35           | 2.80                | 0.22  | LKG1E392MESBCK |               |
|           | 30×40           | 3.25                | 0.22  | LKG1E472MESBCK |               |
| 5600      | 35×30           | 3.15                | 0.22  | LKG1E472MESCK  |               |
|           | 30×45           | 3.50                | 0.22  | LKG1E562MESBCK |               |
| 6800      | 35×35           | 3.50                | 0.22  | LKG1E562MESCK  |               |
| 8200      | 35×40           | 3.80                | 0.22  | LKG1E682MESCK  |               |
|           | 8200            | 35×45               | 4.00  | 0.22           | LKG1E822MESCK |

| 35V(1V)   |                 |                     |       |                |               |
|-----------|-----------------|---------------------|-------|----------------|---------------|
| Cap. (μF) | Size φD × L(mm) | Rated ripple (Arms) | tan δ | Code           |               |
| 820       | 20×25           | 0.85                | 0.22  | LKG1V821MESYCK |               |
|           | 25×20           | 0.85                | 0.22  | LKG1V821MESACK |               |
| 1000      | 20×30           | 1.05                | 0.22  | LKG1V102MESYCK |               |
|           | 22×25           | 1.00                | 0.22  | LKG1V102MESZCK |               |
| 1200      | 20×35           | 1.45                | 0.22  | LKG1V122MESYCK |               |
|           | 22×30           | 1.45                | 0.22  | LKG1V122MESZCK |               |
|           | 25×25           | 1.40                | 0.22  | LKG1V122MESACK |               |
|           | 30×20           | 1.40                | 0.22  | LKG1V122MESBCK |               |
| 1500      | 20×40           | 1.55                | 0.22  | LKG1V152MESYCK |               |
|           | 22×35           | 1.55                | 0.22  | LKG1V152MESZCK |               |
| 1800      | 25×30           | 1.50                | 0.22  | LKG1V152MESACK |               |
|           | 20×45           | 1.80                | 0.22  | LKG1V182MESYCK |               |
|           | 22×40           | 1.75                | 0.22  | LKG1V182MESZCK |               |
|           | 30×25           | 1.75                | 0.22  | LKG1V182MESBCK |               |
| 2200      | 35×20           | 1.70                | 0.22  | LKG1V182MESCK  |               |
|           | 20×50           | 2.00                | 0.22  | LKG1V222MESYCK |               |
|           | 22×45           | 1.95                | 0.22  | LKG1V222MESZCK |               |
| 2700      | 25×35           | 1.95                | 0.22  | LKG1V222MESACK |               |
|           | 30×30           | 1.95                | 0.22  | LKG1V222MESBCK |               |
|           | 25×45           | 2.35                | 0.22  | LKG1V272MESACK |               |
| 3300      | 30×35           | 2.30                | 0.22  | LKG1V272MESBCK |               |
|           | 35×25           | 2.30                | 0.22  | LKG1V272MESCK  |               |
|           | 25×50           | 2.70                | 0.22  | LKG1V332MESACK |               |
| 3900      | 30×40           | 2.70                | 0.22  | LKG1V332MESBCK |               |
|           | 35×30           | 2.65                | 0.22  | LKG1V332MESCK  |               |
| 4700      | 30×45           | 3.00                | 0.22  | LKG1V392MESBCK |               |
|           | 35×35           | 3.00                | 0.22  | LKG1V392MESCK  |               |
| 5600      | 30×50           | 3.55                | 0.22  | LKG1V472MESBCK |               |
|           | 35×40           | 3.55                | 0.22  | LKG1V472MESCK  |               |
| 6800      | 35×45           | 3.80                | 0.22  | LKG1V562MESCK  |               |
|           | 6800            | 35×50               | 4.15  | 0.22           | LKG1V682MESCK |

| 50V(1H)   |                 |                     |       |                |
|-----------|-----------------|---------------------|-------|----------------|
| Cap. (μF) | Size φD × L(mm) | Rated ripple (Arms) | tan δ | Code           |
| 680       | 20×30           | 1.05                | 0.22  | LKG1H681MESYCK |
|           | 22×25           | 1.00                | 0.22  | LKG1H681MESZCK |
| 820       | 22×30           | 1.40                | 0.22  | LKG1H821MESZCK |
|           | 25×25           | 1.35                | 0.22  | LKG1H821MESACK |
|           | 30×20           | 1.35                | 0.22  | LKG1H821MESBCK |
| 1000      | 20×35           | 1.80                | 0.22  | LKG1H102MESYCK |
|           | 20×40           | 1.95                | 0.22  | LKG1H122MESYCK |
|           | 25×30           | 1.95                | 0.22  | LKG1H122MESACK |
|           | 30×25           | 1.90                | 0.22  | LKG1H122MESBCK |
| 1200      | 35×20           | 1.90                | 0.22  | LKG1H122MESCK  |
|           | 20×50           | 2.20                | 0.22  | LKG1H152MESYCK |
|           | 22×45           | 2.20                | 0.22  | LKG1H152MESZCK |
|           | 25×35           | 2.15                | 0.22  | LKG1H152MESACK |
| 1500      | 30×30           | 2.15                | 0.22  | LKG1H152MESBCK |
|           | 22×50           | 2.45                | 0.22  | LKG1H182MESZCK |
|           | 25×40           | 2.45                | 0.22  | LKG1H182MESACK |
| 1800      | 35×25           | 2.40                | 0.22  | LKG1H182MESCK  |
|           | 25×50           | 2.65                | 0.22  | LKG1H222MESACK |
|           | 30×35           | 2.60                | 0.22  | LKG1H222MESBCK |
| 2200      | 35×30           | 2.60                | 0.22  | LKG1H222MESCK  |
|           | 30×45           | 3.00                | 0.22  | LKG1H272MESBCK |
| 2700      | 35×35           | 2.95                | 0.22  | LKG1H272MESCK  |
|           | 30×50           | 3.30                | 0.22  | LKG1H332MESBCK |
| 3300      | 35×40           | 3.25                | 0.22  | LKG1H332MESCK  |
| 3900      | 35×45           | 3.50                | 0.22  | LKG1H392MESCK  |
| 4700      | 35×50           | 3.90                | 0.22  | LKG1H472MESCK  |

Rated ripple current (Arms) at 85°C 120Hz

## ■Dimensions (Snap-in Terminal Type : Grade TYPE-III)

| 63V(1J)   |                 |                     |       |                |
|-----------|-----------------|---------------------|-------|----------------|
| Cap. (μF) | Size φD × L(mm) | Rated ripple (Arms) | tan δ | Code           |
| 680       | 20 × 30         | 1.75                | 0.22  | LKG1J681MESYCK |
|           | 22 × 25         | 1.75                | 0.22  | LKG1J681MESZCK |
|           | 30 × 20         | 1.90                | 0.22  | LKG1J681MESBCK |
| 820       | 20 × 35         | 1.90                | 0.22  | LKG1J821MESYCK |
|           | 22 × 30         | 1.90                | 0.22  | LKG1J821MESZCK |
|           | 25 × 25         | 1.85                | 0.22  | LKG1J821MESACK |
| 1000      | 20 × 40         | 2.10                | 0.22  | LKG1J102MESYCK |
|           | 22 × 35         | 2.05                | 0.22  | LKG1J102MESZCK |
|           | 25 × 30         | 2.00                | 0.22  | LKG1J102MESACK |
| 1200      | 20 × 45         | 2.35                | 0.22  | LKG1J122MESYCK |
|           | 22 × 40         | 2.25                | 0.22  | LKG1J122MESZCK |
|           | 30 × 25         | 2.20                | 0.22  | LKG1J122MESBCK |
|           | 35 × 20         | 2.30                | 0.22  | LKG1J122MESACK |
| 1500      | 22 × 45         | 2.60                | 0.22  | LKG1J152MESZCK |
|           | 25 × 35         | 2.65                | 0.22  | LKG1J152MESACK |
| 1800      | 22 × 50         | 2.90                | 0.22  | LKG1J182MESZCK |
|           | 25 × 40         | 2.90                | 0.22  | LKG1J182MESACK |
|           | 30 × 30         | 2.90                | 0.22  | LKG1J182MESBCK |
|           | 35 × 25         | 2.75                | 0.22  | LKG1J182MESACK |
| 2200      | 25 × 45         | 3.25                | 0.22  | LKG1J222MESACK |
|           | 30 × 35         | 3.20                | 0.22  | LKG1J222MESBCK |
| 2700      | 30 × 45         | 3.30                | 0.22  | LKG1J272MESBCK |
|           | 35 × 30         | 3.65                | 0.22  | LKG1J272MESACK |
| 3300      | 30 × 50         | 3.80                | 0.22  | LKG1J332MESBCK |
|           | 35 × 35         | 4.00                | 0.22  | LKG1J332MESACK |
| 3900      | 35 × 40         | 4.30                | 0.22  | LKG1J392MESACK |
| 4700      | 35 × 50         | 4.50                | 0.22  | LKG1J472MESACK |

| 80V(1K)   |                 |                     |       |                |
|-----------|-----------------|---------------------|-------|----------------|
| Cap. (μF) | Size φD × L(mm) | Rated ripple (Arms) | tan δ | Code           |
| 680       | 20 × 45         | 2.10                | 0.20  | LKG1K681MESYCK |
|           | 22 × 35         | 2.25                | 0.20  | LKG1K681MESZCK |
|           | 25 × 30         | 2.15                | 0.20  | LKG1K681MESACK |
| 820       | 20 × 50         | 2.40                | 0.20  | LKG1K821MESYCK |
|           | 22 × 40         | 2.45                | 0.20  | LKG1K821MESZCK |
|           | 25 × 35         | 2.35                | 0.20  | LKG1K821MESACK |
|           | 30 × 25         | 2.40                | 0.20  | LKG1K821MESBCK |
|           | 35 × 20         | 2.55                | 0.20  | LKG1K821MESACK |
| 1000      | 22 × 50         | 2.60                | 0.20  | LKG1K102MESZCK |
|           | 25 × 40         | 2.60                | 0.20  | LKG1K102MESACK |
|           | 30 × 30         | 2.60                | 0.20  | LKG1K102MESBCK |
| 1200      | 25 × 45         | 2.85                | 0.20  | LKG1K122MESACK |
|           | 30 × 35         | 2.80                | 0.20  | LKG1K122MESBCK |
|           | 35 × 25         | 2.95                | 0.20  | LKG1K122MESACK |
| 1500      | 25 × 50         | 3.30                | 0.20  | LKG1K152MESACK |
|           | 30 × 40         | 3.20                | 0.20  | LKG1K152MESBCK |
|           | 35 × 30         | 3.25                | 0.20  | LKG1K152MESACK |
| 1800      | 30 × 45         | 3.55                | 0.20  | LKG1K182MESBCK |
|           | 35 × 35         | 3.50                | 0.20  | LKG1K182MESACK |
| 2200      | 30 × 50         | 4.05                | 0.20  | LKG1K222MESBCK |
|           | 35 × 40         | 3.90                | 0.20  | LKG1K222MESACK |
| 2700      | 35 × 45         | 4.45                | 0.20  | LKG1K272MESACK |
| 3300      | 35 × 50         | 5.05                | 0.20  | LKG1K332MESACK |

| 100V(2A)  |                 |                     |       |                |
|-----------|-----------------|---------------------|-------|----------------|
| Cap. (μF) | Size φD × L(mm) | Rated ripple (Arms) | tan δ | Code           |
| 680       | 22 × 45         | 2.65                | 0.20  | LKG2A681MESZCK |
|           | 25 × 35         | 2.70                | 0.20  | LKG2A681MESACK |
| 820       | 22 × 50         | 3.00                | 0.20  | LKG2A821MESZCK |
|           | 25 × 40         | 3.00                | 0.20  | LKG2A821MESACK |
|           | 30 × 30         | 3.00                | 0.20  | LKG2A821MESBCK |
|           | 35 × 25         | 2.85                | 0.20  | LKG2A821MESACK |
| 1000      | 25 × 50         | 3.10                | 0.20  | LKG2A102MESACK |
|           | 30 × 35         | 3.30                | 0.20  | LKG2A102MESBCK |
|           | 35 × 30         | 3.05                | 0.20  | LKG2A102MESACK |
| 1200      | 30 × 40         | 3.60                | 0.20  | LKG2A122MESBCK |
|           | 35 × 35         | 3.30                | 0.20  | LKG2A122MESACK |
| 1500      | 30 × 50         | 3.90                | 0.20  | LKG2A152MESBCK |
|           | 35 × 40         | 3.75                | 0.20  | LKG2A152MESACK |
| 1800      | 35 × 45         | 4.15                | 0.20  | LKG2A182MESACK |
| 2200      | 35 × 50         | 4.75                | 0.20  | LKG2A222MESACK |

Rated ripple current (Arms) at 85°C 120Hz



### ■Dimensions (Lug Terminal Type : Grade TYPE- I )

| Rated Voltage (V)(code) | Cap. (μF) | Size φD × L(mm) | Rated ripple (Arms) | tan δ | Code         |
|-------------------------|-----------|-----------------|---------------------|-------|--------------|
| 50V(1H)                 | 22000     | 40 × 68         | 5.40                | 0.30  | LKG1H223MKNF |
| 63V(1J)                 | 15000     | 40 × 68         | 5.60                | 0.30  | LKG1J153MKNF |
|                         | 22000     | 40 × 100        | 6.60                | 0.30  | LKG1J223MKNF |
| 80V(1K)                 | 10000     | 40 × 68         | 5.40                | 0.25  | LKG1K103MKNF |
|                         | 15000     | 40 × 100        | 6.50                | 0.25  | LKG1K153MKNF |
|                         | 22000     | 50 × 100        | 7.80                | 0.25  | LKG1K223MKZF |
| 100V(2A)                | 6800      | 40 × 68         | 5.10                | 0.25  | LKG2A682MKNF |
|                         | 10000     | 40 × 100        | 6.00                | 0.25  | LKG2A103MKNF |
|                         | 15000     | 50 × 100        | 7.40                | 0.25  | LKG2A153MKZF |
|                         | 22000     | 63 × 80         | 9.70                | 0.25  | LKG2A223MKZF |

### ■Dimensions (Lug Terminal Type : Grade TYPE- II )

| Rated Voltage (V)(code) | Cap. (μF) | Size φD × L(mm) | Rated ripple (Arms) | tan δ | Code        |
|-------------------------|-----------|-----------------|---------------------|-------|-------------|
| 50(1H)                  | 10000     | 35 × 80         | 4.60                | 0.30  | LKG1H103MKN |
|                         | 15000     | 40 × 80         | 6.10                | 0.30  | LKG1H153MKN |
|                         | 22000     | 50 × 80         | 8.30                | 0.30  | LKG1H223MKZ |
| 63(1J)                  | 6800      | 35 × 68         | 4.30                | 0.30  | LKG1J682MKN |
|                         | 10000     | 40 × 80         | 4.90                | 0.30  | LKG1J103MKN |
|                         | 15000     | 40 × 100        | 6.70                | 0.30  | LKG1J153MKN |
|                         | 22000     | 50 × 100        | 9.10                | 0.30  | LKG1J223MKZ |
| 80(1K)                  | 6800      | 40 × 100        | 6.10                | 0.25  | LKG1K682MKN |
|                         | 10000     | 50 × 80         | 6.20                | 0.25  | LKG1K103MKZ |
|                         | 15000     | 50 × 100        | 8.40                | 0.25  | LKG1K153MKZ |
|                         | 22000     | 63 × 100        | 11.6                | 0.25  | LKG1K223MKZ |
| 100(2A)                 | 6800      | 50 × 80         | 6.20                | 0.25  | LKG2A682MKZ |
|                         | 10000     | 50 × 100        | 6.90                | 0.25  | LKG2A103MKZ |
|                         | 15000     | 63 × 80         | 8.70                | 0.25  | LKG2A153MKZ |
|                         | 22000     | 76 × 100        | 12.9                | 0.25  | LKG2A223MKZ |

### ■Dimensions (Lug Terminal Type : Grade TYPE- III )

| Rated Voltage (V)(code) | Cap. (μF) | Size φD × L(mm) | Rated ripple (Arms) | tan δ | Code         |
|-------------------------|-----------|-----------------|---------------------|-------|--------------|
| 50(1H)                  | 6800      | 40 × 80         | 5.50                | 0.22  | LKG1H682MKNS |
|                         | 10000     | 40 × 100        | 6.10                | 0.22  | LKG1H103MKNS |
|                         | 15000     | 50 × 100        | 8.40                | 0.22  | LKG1H153MKZS |
|                         | 22000     | 63 × 80         | 10.5                | 0.22  | LKG1H223MKZS |
| 63(1J)                  | 6800      | 40 × 100        | 6.10                | 0.22  | LKG1J682MKNS |
|                         | 10000     | 50 × 80         | 6.20                | 0.22  | LKG1J103MKZS |
|                         | 15000     | 63 × 80         | 8.70                | 0.22  | LKG1J153MKZS |
|                         | 22000     | 63 × 100        | 11.6                | 0.22  | LKG1J223MKZS |
| 80(1K)                  | 6800      | 50 × 80         | 6.70                | 0.20  | LKG1K682MKZS |
|                         | 10000     | 63 × 80         | 7.60                | 0.20  | LKG1K103MKZS |
|                         | 15000     | 63 × 100        | 10.1                | 0.20  | LKG1K153MKZS |
|                         | 22000     | 76 × 100        | 13.7                | 0.20  | LKG1K223MKZS |
| 100(2A)                 | 6800      | 50 × 100        | 7.30                | 0.20  | LKG2A682MKZS |
|                         | 10000     | 63 × 100        | 8.30                | 0.20  | LKG2A103MKZS |
|                         | 15000     | 76 × 100        | 11.3                | 0.20  | LKG2A153MKZS |

Rated ripple current (Arms) at 85°C 120Hz





Компания «ЭлектроПласт» предлагает заключение долгосрочных отношений при поставках импортных электронных компонентов на взаимовыгодных условиях!

Наши преимущества:

- Оперативные поставки широкого спектра электронных компонентов отечественного и импортного производства напрямую от производителей и с крупнейших мировых складов;
- Поставка более 17-ти миллионов наименований электронных компонентов;
- Поставка сложных, дефицитных, либо снятых с производства позиций;
- Оперативные сроки поставки под заказ (от 5 рабочих дней);
- Экспресс доставка в любую точку России;
- Техническая поддержка проекта, помощь в подборе аналогов, поставка прототипов;
- Система менеджмента качества сертифицирована по Международному стандарту ISO 9001;
- Лицензия ФСБ на осуществление работ с использованием сведений, составляющих государственную тайну;
- Поставка специализированных компонентов (Xilinx, Altera, Analog Devices, Intersil, Interpoint, Microsemi, Aeroflex, Peregrine, Syfer, Eurofarad, Texas Instrument, Miteq, Cobham, E2V, MA-COM, Hittite, Mini-Circuits, General Dynamics и др.);

Помимо этого, одним из направлений компании «ЭлектроПласт» является направление «Источники питания». Мы предлагаем Вам помощь Конструкторского отдела:

- Подбор оптимального решения, техническое обоснование при выборе компонента;
- Подбор аналогов;
- Консультации по применению компонента;
- Поставка образцов и прототипов;
- Техническая поддержка проекта;
- Защита от снятия компонента с производства.



#### Как с нами связаться

**Телефон:** 8 (812) 309 58 32 (многоканальный)

**Факс:** 8 (812) 320-02-42

**Электронная почта:** [org@eplast1.ru](mailto:org@eplast1.ru)

**Адрес:** 198099, г. Санкт-Петербург, ул. Калинина, дом 2, корпус 4, литера А.