

- Compact DIP-24 plastic case
- I/O isolation 5000 VAC rated for 250 VAC working voltage
- IEC 60601-1 certification for 2 x MOPP
- Risk management process according to ISO 14971 incl. risk management file
- Acceptance criteria for electronic assemblies acc. to IPC-A-610 Level 3
- Low leakage current <2 μ A
- Operating temperature -40°C to 90°C
- EMC compliance to IEC 60601-1-2 4th edition and EN55032 class A
- 5-year product warranty



ES 60601-1 IEC 60601-1

The THM 3 series is a range of medical 3 Watt DC/DC converters in DIP-24 plastic package with wide 2:1 input voltage range. They provide a reinforced isolation system for 5000 VAC and a very low leakage current of less than 2 μ A. The units are approved to IEC/EN/ES 60601-1 3rd ed. for 2 x MOPP and come along with an ISO 14971 risk management file. Design and production conform to the quality management system ISO 13485. With a high efficiency of up to 88% and highest grade components the converters can reliably operate in an ambient temperature range of -40°C up to $+90^{\circ}\text{C}$. They constitute a reliable solution not only for medical equipment but also for demanding ranges of application such as transportation, control & measurement or IGBT drivers.

Models

| Order Code | Input Voltage Range | Output 1 | | Output 2 | | Efficiency typ. |
|------------|------------------------------|----------|------------------|----------|------------------|-----------------|
| | | Vnom | I _{max} | Vnom | I _{max} | |
| THM 3-0510 | 4.5 - 9 VDC (5 VDC nom.) | 3.3 VDC | 1'000 mA | | | 81 % |
| THM 3-0511 | | 5 VDC | 600 mA | | | 85 % |
| THM 3-0512 | | 12 VDC | 250 mA | | | 86 % |
| THM 3-0513 | | 15 VDC | 200 mA | | | 88 % |
| THM 3-0515 | | 24 VDC | 125 mA | | | 86 % |
| THM 3-0521 | | +5 VDC | 300 mA | -5 VDC | 300 mA | 83 % |
| THM 3-0522 | | +12 VDC | 125 mA | -12 VDC | 125 mA | 86 % |
| THM 3-0523 | | +15 VDC | 100 mA | -15 VDC | 100 mA | 86 % |
| THM 3-1210 | 9 - 18 VDC (12 VDC nom.) | 3.3 VDC | 1'000 mA | | | 82 % |
| THM 3-1211 | | 5 VDC | 600 mA | | | 85 % |
| THM 3-1212 | | 12 VDC | 250 mA | | | 87 % |
| THM 3-1213 | | 15 VDC | 200 mA | | | 87 % |
| THM 3-1215 | | 24 VDC | 125 mA | | | 87 % |
| THM 3-1221 | | +5 VDC | 300 mA | -5 VDC | 300 mA | 84 % |
| THM 3-1222 | | +12 VDC | 125 mA | -12 VDC | 125 mA | 88 % |
| THM 3-1223 | | +15 VDC | 100 mA | -15 VDC | 100 mA | 87 % |
| THM 3-2410 | 18 - 36 VDC (24 VDC nom.) | 3.3 VDC | 1'000 mA | | | 82 % |
| THM 3-2411 | | 5 VDC | 600 mA | | | 85 % |
| THM 3-2412 | | 12 VDC | 250 mA | | | 87 % |
| THM 3-2413 | | 15 VDC | 200 mA | | | 87 % |
| THM 3-2415 | | 24 VDC | 125 mA | | | 87 % |
| THM 3-2421 | | +5 VDC | 300 mA | -5 VDC | 300 mA | 83 % |
| THM 3-2422 | | +12 VDC | 125 mA | -12 VDC | 125 mA | 87 % |
| THM 3-2423 | | +15 VDC | 100 mA | -15 VDC | 100 mA | 86 % |
| THM 3-4810 | 36 - 75 VDC (48 VDC nom.) | 3.3 VDC | 1'000 mA | | | 81 % |
| THM 3-4811 | | 5 VDC | 600 mA | | | 84 % |
| THM 3-4812 | | 12 VDC | 250 mA | | | 87 % |
| THM 3-4813 | | 15 VDC | 200 mA | | | 87 % |
| THM 3-4815 | | 24 VDC | 125 mA | | | 87 % |
| THM 3-4821 | | +5 VDC | 300 mA | -5 VDC | 300 mA | 83 % |
| THM 3-4822 | | +12 VDC | 125 mA | -12 VDC | 125 mA | 86 % |
| THM 3-4823 | | +15 VDC | 100 mA | -15 VDC | 100 mA | 86 % |

Options

| | |
|---|--|
| on demand (backorder with MOQ non stocking item) | <ul style="list-style-type: none"> - Optional models with alternative pinning - Optional models with adjustable output - Optional models with remote-control function - Optional models with adjustable output and remote-control function |
|---|--|

Input Specifications

| | | |
|------------------------|--------------|---|
| Input Current | - At no load | 5 Vin models: 20 mA typ. 12 Vin models: 10 mA typ. 24 Vin models: 6 mA typ. 48 Vin models: 4 mA typ. |
| Surge Voltage | | 5 Vin models: 16 VDC max. (3 s max.) 12 Vin models: 25 VDC max. (3 s max.) 24 Vin models: 50 VDC max. (3 s max.) 48 Vin models: 100 VDC max. (3 s max.) |
| Under Voltage Lockout | | 5 Vin models: 3 VDC min. / 4 VDC typ. / 4.4 VDC max. 12 Vin models: 7 VDC min. / 8 VDC typ. / 8.8 VDC max. 24 Vin models: 15 VDC min. / 16 VDC typ. / 17.5 VDC max. 48 Vin models: 31.5 VDC min. / 33 VDC typ. / 34.5 VDC max. |
| Recommended Input Fuse | | 5 Vin models: 1'600 mA (slow blow) 12 Vin models: 800 mA (slow blow) 24 Vin models: 500 mA (slow blow) 48 Vin models: 315 mA (slow blow) |
| Input Filter | | Internal Pi-Type |

Output Specifications

| | | |
|--|---|--|
| Output Voltage Adjustment | | -10% to +20% (By external trim resistor) (15 & 24 VDC single output models) ±10% (By external trim resistor) (other models) (Only for optional models with adjustable output) See application note: www.tracopower.com/overview/thm3 Output power must not exceed rated power! |
| Voltage Set Accuracy | | ±1% max. |
| Regulation | - Input Variation (Vmin - Vmax) - Load Variation (0 - 100%) - Cross Regulation (25% / 100% asym. load) | single output models: 0.2% max. dual output models: 0.5% max. single output models: 0.2% max. dual output models: 1% max. (Output 1) 1% max. (Output 2) dual output models: 5% max. |
| Ripple and Noise (20 MHz Bandwidth) | - single output - dual output | 3.3 Vout models: 30 mVp-p typ. (with 10 µF X7R) 5 Vout models: 30 mVp-p typ. (with 10 µF X7R) 12 Vout models: 40 mVp-p typ. (with 10 µF X7R) 15 Vout models: 40 mVp-p typ. (with 10 µF X7R) 24 Vout models: 50 mVp-p typ. (with 4.7 µF X7R) 5 / -5 Vout models: 30 / 30 mVp-p typ. (with 10 µF X7R) 12 / -12 Vout models: 40 / 40 mVp-p typ. (with 10 µF X7R) 15 / -15 Vout models: 40 / 40 mVp-p typ. (with 10 µF X7R) |

All specifications valid at nominal voltage, full load and +25°C after warm-up time unless otherwise stated.

| | | |
|---------------------------|---|---|
| Capacitive Load | - single output | 3.3 Vout models: 1'050 µF max. 5 Vout models: 750 µF max. 12 Vout models: 130 µF max. 15 Vout models: 100 µF max. 24 Vout models: 39 µF max. |
| | - dual output | 5 / -5 Vout models: 430 / 430 µF max. 12 / -12 Vout models: 75 / 75 µF max. 15 / -15 Vout models: 56 / 56 µF max. |
| Minimum Load | Not required | |
| Temperature Coefficient | ±0.02 %/K max. | |
| Start-up Time | 30 ms typ. | |
| Short Circuit Protection | Continuous, Automatic recovery | |
| Output Current Limitation | 150% typ. of Iout max. | |
| Overvoltage Protection | 112 - 152% of Vout nom. (depending on model) 3.7 - 5 VDC (3.3 VDC model) 5.6 - 7 VDC (5 VDC model) 13.5 - 16 VDC (12 VDC model) 18.3 - 22 VDC (15 VDC model) 29.1 - 34.5 VDC (24 VDC model) 5.6 - 7 VDC (±5 VDC model) 13.5 - 18.2 VDC (±12 VDC model) 17 - 22 VDC (±15 VDC model) | |
| Transient Response | - Response Time | 250 µs typ. (25% Load Step) |

Safety Specifications

| | | |
|-----------------------|---------------------------|---|
| Safety Standards | - Medical Equipment | EN 60601-1 IEC 60601-1 ANSI/AAMI ES 60601-1 2 x MOPP (Means Of Patient Protection) |
| | - Certification Documents | www.tracopower.com/overview/thm3 |
| Pollution Degree | PD 2 | |
| Over Voltage Category | OVC II | |

EMC Specifications

| | | |
|---------------|-----------------------|--|
| EMI Emissions | - Conducted Emissions | EN 60601-1-2 edition 4 (Medical Devices) EN 55011 class A (internal filter) EN 55011 class B (with external filter) EN 55032 class A (internal filter) EN 55032 class B (with external filter) FCC Part 18, class A FCC Part 18, class B |
| | - Radiated Emissions | EN 55011 class A (internal filter) EN 55011 class B (with external filter) EN 55032 class A (internal filter) EN 55032 class B (with external filter) FCC Part 18, class A FCC Part 18, class B |
| | | External filter proposal: www.tracopower.com/overview/thm3 |

All specifications valid at nominal voltage, full load and +25°C after warm-up time unless otherwise stated.

| | | |
|--------------|-----------------------------|---|
| EMS Immunity | - Electrostatic Discharge | Air: EN 60601-1-2 edition 4 (Medical Devices) |
| | - RF Electromagnetic Field | Contact: EN 61000-4-2, ±15 kV, perf. criteria A |
| | - EFT (Burst) / Surge | EN 61000-4-2, ±8 kV, perf. criteria A |
| | | EN 61000-4-3, 10 V/m, perf. criteria A |
| | | EN 61000-4-4, ±2 kV, perf. criteria A |
| | | EN 61000-4-5, ±2 kV, perf. criteria A |
| | | Ext. input component: 5 Vin models: KY 1000 µF // Vishay V10P45 |
| | | 12 Vin models: KY 470 µF |
| | | 24 Vin models: KY 470 µF |
| | | 48 Vin models: KY 330 µF |
| | - Conducted RF Disturbances | EN 61000-4-6, 10 Vrms, perf. criteria A |
| | - PF Magnetic Field | Continuous: EN 61000-4-8, 100 A/m, perf. criteria A |
| | | 1 s: EN 61000-4-8, 1000 A/m, perf. criteria A |

General Specifications

| | | |
|---------------------------|---------------------------------|--|
| Relative Humidity | | 95% max. (non condensing) |
| Temperature Ranges | - Operating Temperature | -40°C to +100°C |
| | - Approved Ambient Temp. | +80°C max. (to comply with EN60601-1) |
| | - Storage Temperature | -55°C to +125°C |
| Power Derating | - High Temperature | 10 %/K above 95°C |
| | | See application note: www.tracopower.com/overview/thm3 |
| Cooling System | | Natural convection (20 LFM) |
| Remote Control | - Voltage Controlled Remote | On: 0 to 1.2 VDC or open circuit |
| | | Off: 2.2 to 12 VDC |
| | | Refers to 'Remote' and '-Vin' Pin |
| | - Off Idle Input Current | 2.5 mA typ. |
| | - Remote Pin Input Current | -0.5 to 1.0 mA |
| | | (Only for optional models with remote-control) |
| Altitude During Operation | | 5'000 m max. |
| Switching Frequency | | 135 - 165 kHz (PWM) |
| | | 150 kHz typ. (PWM) |
| Insulation System | | Reinforced Insulation |
| Isolation Test Voltage | - Input to Output, 60 s | 5'000 VAC |
| Creepage | - Input to Output | 8 mm min. |
| Clearance | - Input to Output | 8 mm min. |
| Isolation Capacitance | - Input to Output, 100 kHz, 1 V | 12 pF typ. |
| | | 17 pF max. |
| Leakage Current | - Earth Leakage Current | 2 µA max. (240 VAC, 60 Hz) |
| Reliability | - Calculated MTBF | 6'400'000 h (MIL-HDBK-217F, ground benign) |
| Environment | - Vibration | MIL-STD-810F |
| | - Thermal Shock | MIL-STD-810F |
| Housing Material | | Non-conductive Plastic (UL94 V-0 rated) |
| Base Material | | Non-conductive Plastic (UL 94 V-0 rated) |
| Potting Material | | Silicone (UL 94 V-0 rated) |
| Soldering Profile | | 265°C / 10 s max. |
| Connection Type | | THD (Through-Hole Device) |
| Weight | | 14 g |
| Thermal Impedance | | 18 K/W |
| Environmental Compliance | - Reach | www.tracopower.com/info/reach-declaration.pdf |
| | - RoHS | www.tracopower.com/info/rohs-declaration.pdf |

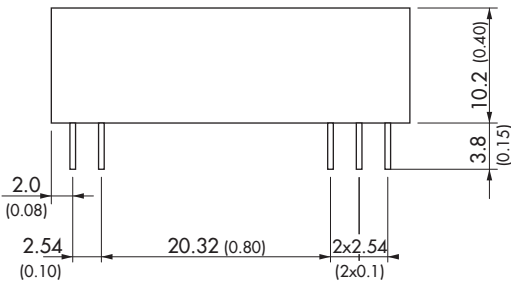
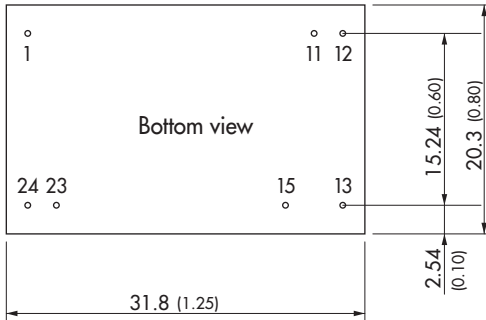
Supporting Documents

| | |
|--|--|
| Overview Link (for additional Documents) | www.tracopower.com/overview/thm3 |
|--|--|

All specifications valid at nominal voltage, full load and +25°C after warm-up time unless otherwise stated.

Outline Dimensions

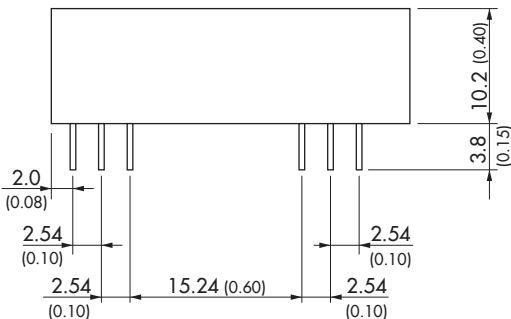
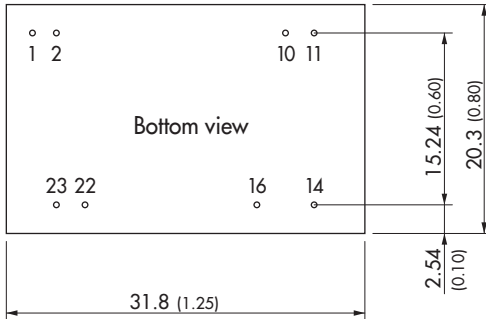
Standard pinning



Dimensions in mm (inch)
 Tolerances ± 0.5 (± 0.02)
 Pin \varnothing 0.6 ± 0.1 (0.024 ± 0.004)
 Pin pitch tolerances ± 0.25 (± 0.01)

| Pinout | | |
|--------|---------------|-------------|
| Pin | Single Output | Dual Output |
| 1 | +Vin (Vcc) | +Vin (Vcc) |
| 11 | No pin | Common |
| 12 | -Vout | No pin |
| 13 | +Vout | -Vout |
| 15 | No pin | +Vout |
| 23 | -Vin (GND) | -Vin (GND) |
| 24 | -Vin (GND) | -Vin (GND) |

Optional models with alternative pinning, adjustable output and/or remote-control function



Dimensions in mm (inch)
 Tolerances ± 0.5 (± 0.02)
 Pin \varnothing 0.6 ± 0.1 (0.024 ± 0.004)
 Pin pitch tolerances ± 0.25 (± 0.01)

| Pinout | | |
|--------|----------------|----------------|
| Pin | Single Output | Dual Output |
| 1 | No pin*/Remote | No pin*/Remote |
| 2 | -Vin (GND) | -Vin (GND) |
| 10 | No pin*/Trim | No pin*/Trim |
| 11 | No pin/NC ** | -Vout |
| 14 | +Vout | +Vout |
| 16 | -Vout | Common |
| 22 | +Vin (Vcc) | +Vin (Vcc) |
| 23 | +Vin (Vcc) | +Vin (Vcc) |

NC: No connection

* If Remote or Trim is not selected there is no pin on corresponding number.

** If Trim is selected there is no pin on the corresponding pin number.

Remark:

No optional pinning for 5 Vin models. Corresponding parts are with THM 3WI series by default.

see www.tracopower.com/overview/thm3



Компания «ЭлектроПласт» предлагает заключение долгосрочных отношений при поставках импортных электронных компонентов на взаимовыгодных условиях!

Наши преимущества:

- Оперативные поставки широкого спектра электронных компонентов отечественного и импортного производства напрямую от производителей и с крупнейших мировых складов;
- Поставка более 17-ти миллионов наименований электронных компонентов;
- Поставка сложных, дефицитных, либо снятых с производства позиций;
- Оперативные сроки поставки под заказ (от 5 рабочих дней);
- Экспресс доставка в любую точку России;
- Техническая поддержка проекта, помощь в подборе аналогов, поставка прототипов;
- Система менеджмента качества сертифицирована по Международному стандарту ISO 9001;
- Лицензия ФСБ на осуществление работ с использованием сведений, составляющих государственную тайну;
- Поставка специализированных компонентов (Xilinx, Altera, Analog Devices, Intersil, Interpoint, Microsemi, Aeroflex, Peregrine, Syfer, Eurofarad, Texas Instrument, Miteq, Cobham, E2V, MA-COM, Hittite, Mini-Circuits, General Dynamics и др.);

Помимо этого, одним из направлений компании «ЭлектроПласт» является направление «Источники питания». Мы предлагаем Вам помощь Конструкторского отдела:

- Подбор оптимального решения, техническое обоснование при выборе компонента;
- Подбор аналогов;
- Консультации по применению компонента;
- Поставка образцов и прототипов;
- Техническая поддержка проекта;
- Защита от снятия компонента с производства.



Как с нами связаться

Телефон: 8 (812) 309 58 32 (многоканальный)

Факс: 8 (812) 320-02-42

Электронная почта: org@eplast1.ru

Адрес: 198099, г. Санкт-Петербург, ул. Калинина, дом 2, корпус 4, литера А.