



# CMOS Static RAM 1 Meg (128K x 8-Bit)

**IDT71024S**

## Features

- ◆ 128K x 8 advanced high-speed CMOS static RAM
- ◆ Commercial (0°C to +70°C), Industrial (-40°C to +85°C)
- ◆ Equal access and cycle times  
— *Commercial and Industrial: 12/15/20ns*
- ◆ Two Chip Selects plus one Output Enable pin
- ◆ Bidirectional inputs and outputs directly TTL-compatible
- ◆ Low power consumption via chip deselect
- ◆ Available in 300 and 400 mil Plastic SOJ.

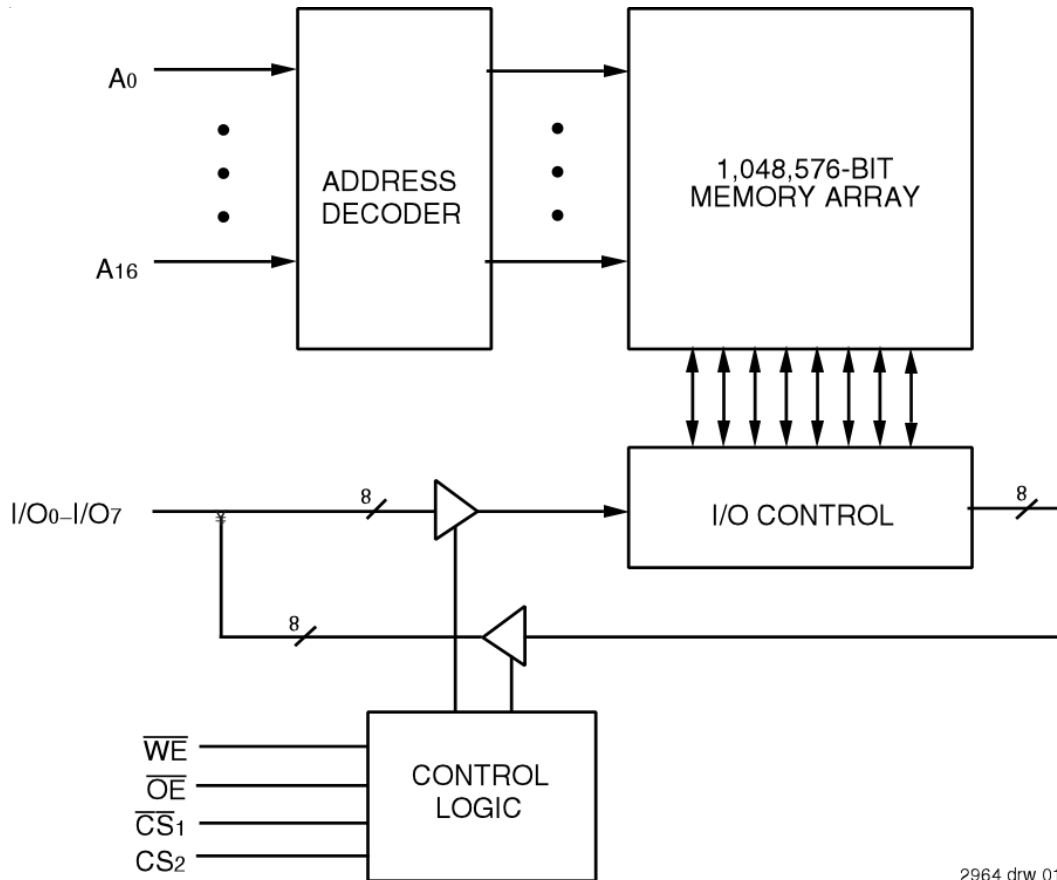
## Description

The IDT71024 is a 1,048,576-bit high-speed static RAM organized as 128K x 8. It is fabricated using high-performance, high-reliability CMOS technology. This state-of-the-art technology, combined with innovative circuit design techniques, provides a cost-effective solution for high-speed memory needs.

The IDT71024 has an output enable pin which operates as fast as 6ns, with address access times as fast as 12ns available. All bidirectional inputs and outputs of the IDT71024 are TTL-compatible, and operation is from a single 5V supply. Fully static asynchronous circuitry is used; no clocks or refreshes are required for operation.

The IDT71024 is packaged in 32-pin 300 mil Plastic SOJ and 32-pin 400 mil Plastic SOJ.

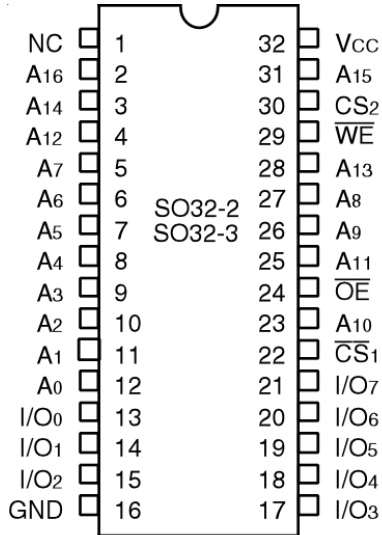
## Functional Block Diagram



2964 drw 01

FEBRUARY 2013

## Pin Configuration



2964 drw 02

### SOJ Top View

## Truth Table<sup>(1,3)</sup>

| Inputs          |                   |                |                 | I/O                 | Function                    |
|-----------------|-------------------|----------------|-----------------|---------------------|-----------------------------|
| $\overline{WE}$ | $\overline{CS}_1$ | $CS_2$         | $\overline{OE}$ |                     |                             |
| X               | H                 | X              | X               | High-Z              | Deselected – Standby (ISB)  |
| X               | $V_{HC}^{(2)}$    | X              | X               | High-Z              | Deselected – Standby (ISB1) |
| X               | X                 | L              | X               | High-Z              | Deselected – Standby (ISB)  |
| X               | X                 | $V_{LC}^{(2)}$ | X               | High-Z              | Deselected – Standby (ISB1) |
| H               | L                 | H              | H               | High-Z              | Outputs Disabled            |
| H               | L                 | H              | L               | DATA <sub>OUT</sub> | Read Data                   |
| L               | L                 | H              | X               | DATA <sub>IN</sub>  | Write Data                  |

2964 tbl 01

### NOTES:

- H =  $V_{IH}$ , L =  $V_{IL}$ , X = Don't care.
- $V_{LC} = 0.2V$ ,  $V_{HC} = V_{CC} - 0.2V$ .
- Other inputs  $\geq V_{HC}$  or  $\leq V_{LC}$ .

## Recommended Operating Temperature and Supply Voltage

| Grade      | Temperature    | GND | V <sub>CC</sub> |
|------------|----------------|-----|-----------------|
| Commercial | 0°C to +70°C   | 0V  | 5.0V ± 0.5V     |
| Industrial | -40°C to +85°C | 0V  | 5.0V ± 0.5V     |

2964 tbl 05

## Absolute Maximum Ratings<sup>(1)</sup>

| Symbol            | Rating                               | Value        | Unit |
|-------------------|--------------------------------------|--------------|------|
| $V_{TERM}^{(2)}$  | Terminal Voltage with Respect to GND | -0.5 to +7.0 | V    |
| T <sub>BIAS</sub> | Temperature Under Bias               | -55 to +125  | °C   |
| T <sub>STG</sub>  | Storage Temperature                  | -55 to +125  | °C   |
| P <sub>T</sub>    | Power Dissipation                    | 1.25         | W    |
| I <sub>OUT</sub>  | DC Output Current                    | 50           | mA   |

2964 tbl 02

### NOTES:

- Stresses greater than those listed under ABSOLUTE MAXIMUM RATINGS may cause permanent damage to the device. This is a stress rating only and functional operation of the device at these or any other conditions above those indicated in the operational sections of this specification is not implied. Exposure to absolute maximum rating conditions for extended periods may affect reliability.
- $V_{TERM}$  must not exceed  $V_{CC} + 0.5V$ .

## Capacitance

(T<sub>A</sub> = +25°C, f = 1.0MHz, SOJ package)

| Symbol           | Parameter <sup>(1)</sup> | Conditions             | Max. | Unit |
|------------------|--------------------------|------------------------|------|------|
| C <sub>IN</sub>  | Input Capacitance        | V <sub>IN</sub> = 3dV  | 7    | pF   |
| C <sub>I/O</sub> | I/O Capacitance          | V <sub>OUT</sub> = 3dV | 8    | pF   |

2964 tbl 03

### NOTE:

- This parameter is guaranteed by device characterization, but is not production tested.

## Recommended DC Operating Conditions

| Symbol          | Parameter          | Min.                | Typ. | Max.                 | Unit |
|-----------------|--------------------|---------------------|------|----------------------|------|
| V <sub>CC</sub> | Supply Voltage     | 4.5                 | 5.0  | 5.5                  | V    |
| GND             | Ground             | 0                   | 0    | 0                    | V    |
| V <sub>IH</sub> | Input High Voltage | 2.2                 | —    | V <sub>CC</sub> +0.5 | V    |
| V <sub>IL</sub> | Input Low Voltage  | -0.5 <sup>(1)</sup> | —    | 0.8                  | V    |

2964 tbl 04

### NOTE:

- V<sub>IL</sub> (min.) = -1.5V for pulse width less than 10ns, once per cycle.

## DC Electrical Characteristics

( $V_{CC} = 5.0V \pm 10\%$ , Commercial and Industrial Temperature Ranges)

| Symbol     | Parameter              | Test Condition  | IDT71024 |      | Unit          |
|------------|------------------------|---|----------|------|---------------|
|            |                        |   | Min.     | Max. |               |
| $ I_{LI} $ | Input Leakage Current  | $V_{CC} = \text{Max.}, V_{IN} = \text{GND to } V_{CC}$                            | —        | 5    | $\mu\text{A}$ |
| $ I_{LO} $ | Output Leakage Current | $V_{CC} = \text{Max.}, \overline{CS}_1 = V_{IH}, V_{OUT} = \text{GND to } V_{CC}$ | —        | 5    | $\mu\text{A}$ |
| $V_{OL}$   | Output Low Voltage     | $I_{OL} = 8\text{mA}, V_{CC} = \text{Min.}$                                       | —        | 0.4  | V             |
| $V_{OH}$   | Output High Voltage    | $I_{OH} = -4\text{mA}, V_{CC} = \text{Min.}$                                      | 2.4      | —    | V             |

2964 tbl 06

## DC Electrical Characteristics<sup>(1)</sup>

( $V_{CC} = 5.0V \pm 10\%$ ,  $V_{LC} = 0.2V$ ,  $V_{HC} = V_{CC} - 0.2V$ )

| Symbol    | Parameters   | 71024S12 |      | 71024S15 |      | 71024S20 |      | Unit |
|-----------|--|----------|------|----------|------|----------|------|------|
|           |  | Com'l.   | Ind. | Com'l.   | Ind. | Com'l.   | Ind. |      |
| $I_{CC}$  | Dynamic Operating Current,<br>$CS_2 \geq V_{IH}$ and $\overline{CS}_1 \leq V_{IL}$ , Outputs Open,<br>$V_{CC} = \text{Max.}, f = f_{MAX}^{(2)}$  | 160      | 160  | 155      | 155  | 140      | 140  | mA   |
| $I_{SB}$  | Standby Power Supply Current (TTL Level)<br>$CS_1 \geq V_{IH}$ or $CS_2 \leq V_{IL}$ , Outputs Open,<br>$V_{CC} = \text{Max.}, f = f_{MAX}^{(2)}$  | 40       | 40   | 40       | 40   | 40       | 40   | mA   |
| $I_{SB1}$ | Full Standby Power Supply Current<br>(CMOS Level), $\overline{CS}_1 \geq V_{HC}$ or<br>$CS_2 \leq V_{LC}$ , Outputs Open,<br>$V_{CC} = \text{Max.}, f = 0^{(2)}, V_{IN} \leq V_{LC}$ or $V_{IN} \geq V_{HC}$ | 10       | 10   | 10       | 10   | 10       | 10   | mA   |

2964 tbl 07

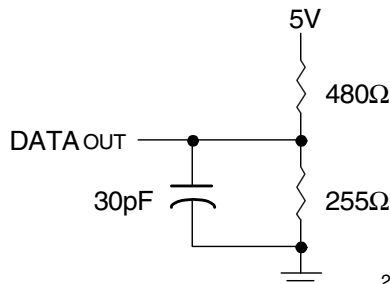
**NOTES:**

- All values are maximum guaranteed values.
- $f_{MAX} = 1/\text{trc}$  (all address inputs are cycling at  $f_{MAX}$ ):  $f = 0$  means no address input lines are changing.

## AC Test Conditions

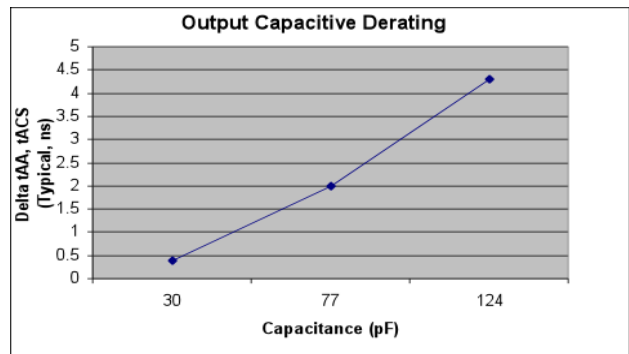
|                               |                     |
|-------------------------------|---------------------|
| Input Pulse Levels            | GND to 3.0V         |
| Input Rise/Fall Times         | 3ns                 |
| Input Timing Reference Levels | 1.5V                |
| Output Reference Levels       | 1.5V                |
| AC Test Load                  | See Figures 1 and 2 |

2964 tbl 08

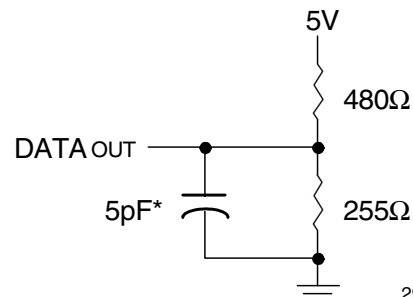


2964 drw 03

Figure 1. AC Test Load



2964 drw03a



2964 drw 04

\*Including jig and scope capacitance.

Figure 2. AC Test Load  
(for tCLZ, tOLZ, tCHZ, tOHZ, tOW, and tWHZ)

## AC Electrical Characteristics

(V<sub>CC</sub> = 5.0V ± 10%, Commercial and Industrial Temperature Ranges)

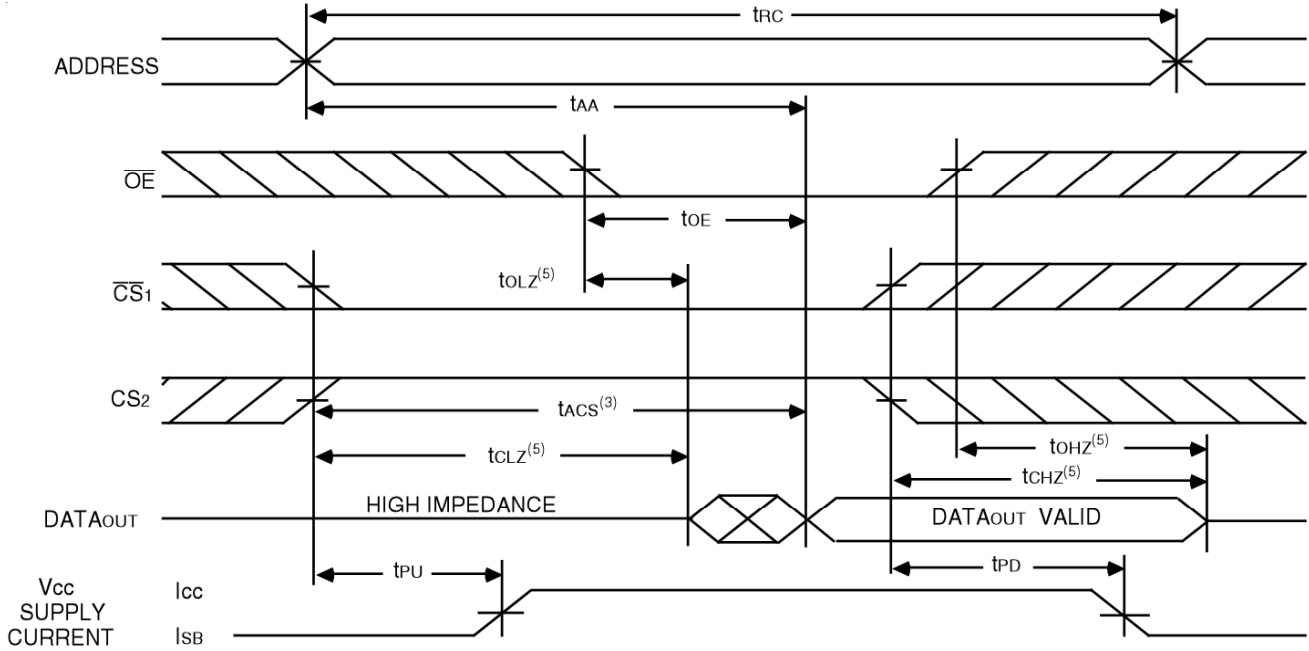
| Symbol                          | Parameter                          | 71024S12 |      | 71024S15 |      | 71024S20 |      | Unit |
|---------------------------------|------------------------------------|----------|------|----------|------|----------|------|------|
|                                 |                                    | Min.     | Max. | Min.     | Max. | Min.     | Max. |      |
| <b>Read Cycle</b>               |                                    |          |      |          |      |          |      |      |
| t <sub>RC</sub>                 | Read Cycle Time                    | 12       | —    | 15       | —    | 20       | —    | ns   |
| t <sub>AA</sub>                 | Address Access Time                | —        | 12   | —        | 15   | —        | 20   | ns   |
| t <sub>ACS</sub>                | Chip Select Access Time            | —        | 12   | —        | 15   | —        | 20   | ns   |
| t <sub>CLZ</sub> <sup>(1)</sup> | Chip Select to Output in Low-Z     | 3        | —    | 3        | —    | 3        | —    | ns   |
| t <sub>CHZ</sub> <sup>(1)</sup> | Chip Deselect to Output in High-Z  | 0        | 6    | 0        | 7    | 0        | 8    | ns   |
| t <sub>OE</sub>                 | Output Enable to Output Valid      | —        | 6    | —        | 7    | —        | 8    | ns   |
| t <sub>OLZ</sub> <sup>(1)</sup> | Output Enable to Output in Low-Z   | 0        | —    | 0        | —    | 0        | —    | ns   |
| t <sub>OHZ</sub> <sup>(1)</sup> | Output Disable to Output in High-Z | 0        | 5    | 0        | 5    | 0        | 7    | ns   |
| t <sub>OH</sub>                 | Output Hold from Address Change    | 4        | —    | 4        | —    | 4        | —    | ns   |
| t <sub>PU</sub> <sup>(1)</sup>  | Chip Select to Power-Up Time       | 0        | —    | 0        | —    | 0        | —    | ns   |
| t <sub>PD</sub> <sup>(1)</sup>  | Chip Deselect to Power-Down Time   | —        | 12   | —        | 15   | —        | 20   | ns   |
| <b>Write Cycle</b>              |                                    |          |      |          |      |          |      |      |
| t <sub>WC</sub>                 | Write Cycle Time                   | 12       | —    | 15       | —    | 20       | —    | ns   |
| t <sub>AW</sub>                 | Address Valid to End-of-Write      | 10       | —    | 12       | —    | 15       | —    | ns   |
| t <sub>CW</sub>                 | Chip Select to End-of-Write        | 10       | —    | 12       | —    | 15       | —    | ns   |
| t <sub>AS</sub>                 | Address Set-Up Time                | 0        | —    | 0        | —    | 0        | —    | ns   |
| t <sub>WP</sub>                 | Write Pulse Width                  | 8        | —    | 12       | —    | 15       | —    | ns   |
| t <sub>WR</sub>                 | Write Recovery Time                | 0        | —    | 0        | —    | 0        | —    | ns   |
| t <sub>DW</sub>                 | Data Valid to End-of-Write         | 7        | —    | 8        | —    | 9        | —    | ns   |
| t <sub>DH</sub>                 | Data Hold Time                     | 0        | —    | 0        | —    | 0        | —    | ns   |
| t <sub>OW</sub> <sup>(1)</sup>  | Output Active from End-of-Write    | 3        | —    | 3        | —    | 4        | —    | ns   |
| t <sub>WHZ</sub> <sup>(1)</sup> | Write Enable to Output in High-Z   | 0        | 5    | 0        | 5    | 0        | 8    | ns   |

**NOTE:**

1. This parameter guaranteed with the AC load (Figure 2) by device characterization, but is not production tested.

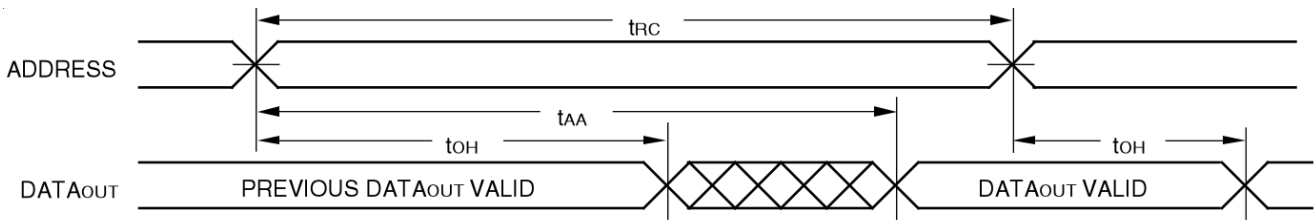
2964 tbl 09

### Timing Waveform of Read Cycle No. 1<sup>(1)</sup>



2964 drw 05

### Timing Waveform of Read Cycle No. 2<sup>(1,2,4)</sup>

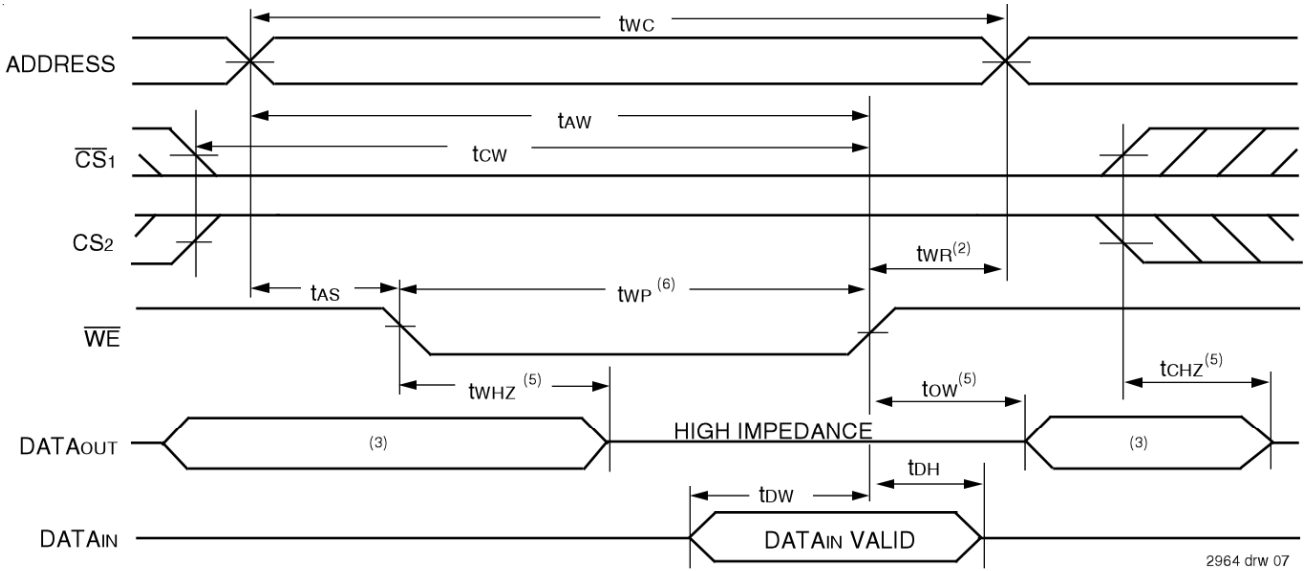


2964 drw 06

**NOTES:**

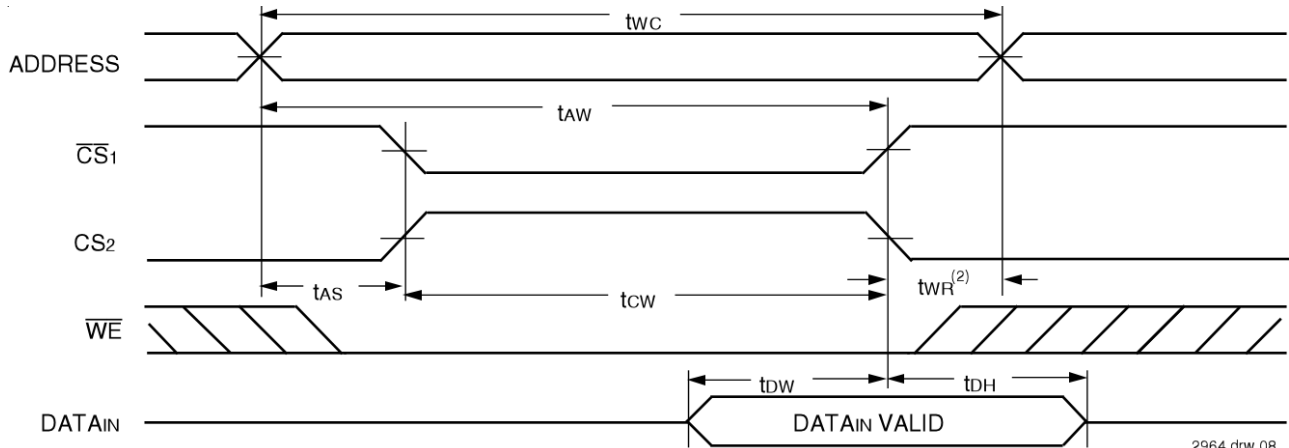
1.  $\overline{WE}$  is HIGH for Read Cycle.
2. Device is continuously selected,  $\overline{CS1}$  is LOW, CS2 is HIGH.
3. Address must be valid prior to or coincident with the later of  $\overline{CS1}$  transition LOW and CS2 transition HIGH; otherwise  $t_{AA}$  is the limiting parameter.
4.  $\overline{OE}$  is LOW.
5. Transition is measured  $\pm 200\text{mV}$  from steady state.

### Timing Waveform of Write Cycle No. 1 ( $\overline{WE}$ Controlled Timing)<sup>(1,4,6)</sup>



2964 drw 07

### Timing Waveform of Write Cycle No. 2 ( $\overline{CS1}$ AND CS2 Controlled Timing)<sup>(1,4)</sup>

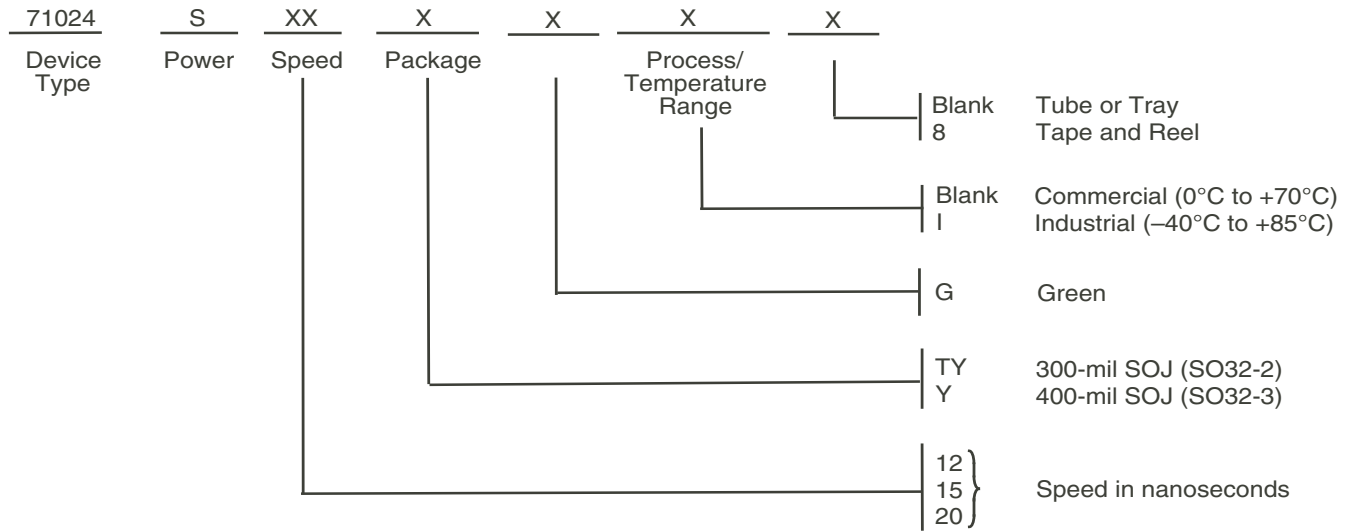


2964 drw 08

**NOTES:**

1. A write occurs during the overlap of a LOW  $\overline{CS1}$ , HIGH CS2, and a LOW  $\overline{WE}$ .
2.  $t_{WR}$  is measured from the earlier of either  $\overline{CS1}$  or  $\overline{WE}$  going HIGH or CS2 going LOW to the end of the write cycle.
3. During this period, I/O pins are in the output state, and input signals must not be applied.
4. If the  $\overline{CS1}$  LOW transition or the CS2 HIGH transition occurs simultaneously with or after the  $\overline{WE}$  LOW transition, the outputs remain in a high impedance state.  $\overline{CS1}$  and CS2 must both be active during the  $t_{CW}$  write period.
5. Transition is measured  $\pm 200mV$  from steady state.
6.  $\overline{OE}$  is continuously HIGH. During a  $\overline{WE}$  controlled write cycle with  $\overline{OE}$  LOW,  $t_{WP}$  must be greater than or equal to  $t_{WHZ} + t_{DW}$  to allow the I/O drivers to turn off and data to be placed on the bus for the required  $t_{OW}$ . If  $\overline{OE}$  is HIGH during a  $\overline{WE}$  controlled write cycle, this requirement does not apply and the minimum write pulse is the specified  $t_{WP}$ .

## Ordering Information



2964 drw 09

## Datasheet Document History

|          |                |   |
|----------|----------------|---|
| 9/30/99  |                | Updated to new format   |
|          | Pg. 1, 3, 4, 7 | Added 12ns industrial speed grade offering  |
|          | Pg. 1-4, 7     | Removed military temperature offerings  |
|          |                | Removed 17ns and 25ns speed grades  |
|          | Pg. 3          | Revised Icc and ISB1 for 15ns and 20ns industrial speed grades  |
|          | Pg. 6          | Removed Note 1, reordered notes and footnotes   |
|          | Pg. 8          | Added Datasheet Document History  |
| 1/6/2000 | Pg. 4          | Changed tWP(min) for 12ns speed grade from 10ns to 8ns.   |
| 2/18/00  | Pg. 3          | Revised Icc and ISB for Industrial Temperature offerings to meet commercial specifications  |
| 3/14/00  | Pg. 3          | Revised ISB to accommodate speed functionality  |
| 08/09/00 |                | Not recommended for new designs   |
| 02/01/01 |                | Removed "Not recommended for new designs"   |
| 01/30/04 | Pg. 7          | Added "Restricted hazardous substance device" to the ordering information.  |
| 05/22/06 | Pg.3           | Added drawing Output Capacitive Derating drawing.   |
| 02/13/07 | Pg.7           | Added M generation die step to data sheet ordering information.   |
| 08/13/09 | Pg.2           | Corrected note reference.   |
| 02/05/13 | Pg.1           | Removed /MS from datasheet header. Removed IDT's reference to fabrication.  |
|          | Pg.7           | Updated ordering information by adding Tape and Reel, updated Restricted Hazardous Substance Device wording to Green and removed the Die Stepping Revision, the "M" designator. |



**CORPORATE HEADQUARTERS**  
6024 Silver Creek Valley Road  
San Jose, CA 95138

**for SALES:**  
800-345-7015 or  
408-284-8200  
fax: 408-284-2775  
[www.idt.com](http://www.idt.com)

**for Tech Support:**  
[sramhelp@idt.com](mailto:sramhelp@idt.com)  
408-284-4532

The IDT logo is a registered trademark of Integrated Device Technology, Inc.





Компания «ЭлектроПласт» предлагает заключение долгосрочных отношений при поставках импортных электронных компонентов на взаимовыгодных условиях!

Наши преимущества:

- Оперативные поставки широкого спектра электронных компонентов отечественного и импортного производства напрямую от производителей и с крупнейших мировых складов;
- Поставка более 17-ти миллионов наименований электронных компонентов;
- Поставка сложных, дефицитных, либо снятых с производства позиций;
- Оперативные сроки поставки под заказ (от 5 рабочих дней);
- Экспресс доставка в любую точку России;
- Техническая поддержка проекта, помощь в подборе аналогов, поставка прототипов;
- Система менеджмента качества сертифицирована по Международному стандарту ISO 9001;
- Лицензия ФСБ на осуществление работ с использованием сведений, составляющих государственную тайну;
- Поставка специализированных компонентов (Xilinx, Altera, Analog Devices, Intersil, Interpoint, Microsemi, Aeroflex, Peregrine, Syfer, Eurofarad, Texas Instrument, Miteq, Cobham, E2V, MA-COM, Hittite, Mini-Circuits, General Dynamics и др.);

Помимо этого, одним из направлений компании «ЭлектроПласт» является направление «Источники питания». Мы предлагаем Вам помощь Конструкторского отдела:

- Подбор оптимального решения, техническое обоснование при выборе компонента;
- Подбор аналогов;
- Консультации по применению компонента;
- Поставка образцов и прототипов;
- Техническая поддержка проекта;
- Защита от снятия компонента с производства.



#### Как с нами связаться

**Телефон:** 8 (812) 309 58 32 (многоканальный)

**Факс:** 8 (812) 320-02-42

**Электронная почта:** [org@eplast1.ru](mailto:org@eplast1.ru)

**Адрес:** 198099, г. Санкт-Петербург, ул. Калинина, дом 2, корпус 4, литера А.