

FEATURES

- Standard 7x5mm Surface Mount Footprint
- HCMOS/TTL Compatible Output
- Frequency Range 1.5 – 77.76 MHz
- Frequency Stability, ± 50 ppm Standard (± 25 ppm and ± 20 ppm available)
- +3.3Vdc or +5.0Vdc Operation
- Operating Temperature to -40°C to $+85^{\circ}\text{C}$
- Output Enable Standard
- Low Phase Jitter, *NON-Multiplied*
- Tape & Reel Packaging
- **RoHS/Green Compliant**

DESCRIPTION

The Model 357 is a ceramic packaged Voltage Controlled oscillator offering reduced size and enhanced stability. The small size means it is perfect for any application. The enhanced stability means it is the perfect choice for today's communications applications that require tight frequency control.



ORDERING INFORMATION



Example Part Number: 357LB3C019M4400

ELECTRICAL CHARACTERISTICS

| | PARAMETER | SYMBOL | CONDITIONS | MIN | TYP | MAX | UNIT |
|------------------------------------|---|-----------------------------------|---|-------------------|--------------------|----------------------|--------------|
| Absolute Maximums | Maximum Supply Voltage | V_{CC} | - | -0.5 | - | 7.0 | V |
| | Maximum Control Voltage | V_C | - | -0.5 | - | V_{CC} | V |
| | Storage Temperature | T_{STG} | - | -55 | - | 125 | °C |
| | Frequency Range | f_0 | - | 1.5 | - | 77.76 | MHz |
| | Frequency Stability (See Note 1 and Ordering Information) | $\Delta f/f_0$ | - | - | - | 20, 25 or 50 | ± ppm |
| | Absolute Pull Range (See Note 2 and Ordering Information) | APR | - | 50, 80 or 100 | - | - | ± ppm |
| | Operating Temperature Commercial Industrial | T_A | - | -20 -40 | 25 | 70 85 | °C |
| Electrical and Waveform Parameters | Supply Voltage Model 357S, 357W Model 357L, 357V | V_{CC} | ± 10 % | 4.5 2.97 | 5.0 3.3 | 5.5 3.63 | V |
| | Supply Current | I_{CC} | $C_L = 15$ pF 1.5 MHz to 20 MHz 20.1 MHz to 40 MHz 40.1 MHz to 60 MHz 60.1 MHz to 80 MHz | - - - - | 5 8 10 12 | 20 30 40 45 | mA |
| | Output Load | C_L | - | - | - | 30 | pF |
| | Control Voltage Model 357S, 357W Model 357L, 357V | V_C | $V_{CC} = 5.0V$ $V_{CC} = 3.3V$ | 0.5 0.3 | 2.5 1.65 | 4.5 3.0 | V |
| | Frequency Deviation | Δf | 25°C at Time of Shipment, over V_C range | - | 135 | - | ± ppm |
| | Linearity Best Straight Line Fit | L | < 52 MHz > 52 MHz | - - | 5 8 | 10 15 | % |
| | Output Duty Cycle | SYM | @ 50% Level | 45 | - | 55 | % |
| | Output Voltage Levels Logic '1' Level Logic '0' Level | V_{OH} V_{OL} | CMOS Load CMOS Load | 90% V_{CC} - | - - | - 10% V_{CC} | V |
| | Output Current Levels Logic '1' Level Logic '0' Level | I_{OH} I_{OL} | CMOS Load CMOS Load | - - | - - | -14 14 | mA |
| | Rise and Fall Time | T_{R}, T_F | @ 10% - 90% Levels | - | 3.5 | 5.0 | ns |
| | Input Impedance | Z_C | - | 50 | - | - | kOhms |
| | Transfer Function | - | - | - | Positive | - | - |
| | Start Up Time | T_S | Application of V_{CC} | - | - | 10 | ms |
| | Modulation Roll-off | - | @ -3dB | 10 | - | - | kHz |
| | Phase Jitter | t_{jms} | Bandwidth 12 kHz - 20 MHz | - | - | 1 | ps RMS |
| | Enable Function Enable Input Voltage Disable Input Voltage Enable Time | V_{IH} V_{IL} T_{PLZ} | Pin 2 or Pin 5 Logic '1', Output Enabled Pin 2 or Pin 5 Logic '0', Output Disabled Pin 2 or Pin 5 Logic '1' | 2.5 - - | - - - | - 0.5 100 | V V ns |

Notes:

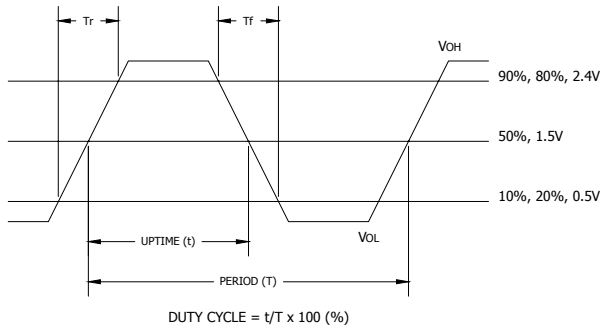
- Inclusive of initial tolerance at time of shipment, changes in supply voltage, load, temperature and 10 year aging at an average operating temperature of +40 °C.
- Minimum guaranteed frequency shift from f_0 over variations in temperature, aging, power supply and load at an average operating temperature of +40°C for 10 years.

SINGLE SIDE BAND PHASE NOISE (typical maximum)

| Frequency Offset | Phase Noise (dBc/Hz) * | Frequency Offset | Phase Noise (dBc/Hz) * |
|------------------|------------------------|------------------|------------------------|
| 10 Hz | -60 | 10k Hz | -130 |
| 100 Hz | -90 | 100k Hz | -150 |
| 1k Hz | -112 | ≥ 100k Hz | -150 |

* Results may vary depending on frequency.

CMOS/TTL OUTPUT WAVEFORM



D.U.T. PIN ASSIGNMENTS

| PIN | SYMBOL | DESCRIPTION |
|-----|-----------------|--------------------------|
| 1 | V _C | Control Voltage |
| 2 | EOH or N.C. | Enable or No Connect |
| 3 | GND | Circuit & Package Ground |
| 4 | Output | RF Output |
| 5 | N.C. or EOH | No Connect or Enable |
| 6 | V _{CC} | Supply Voltage |

TEST CIRCUIT, CMOS LOAD

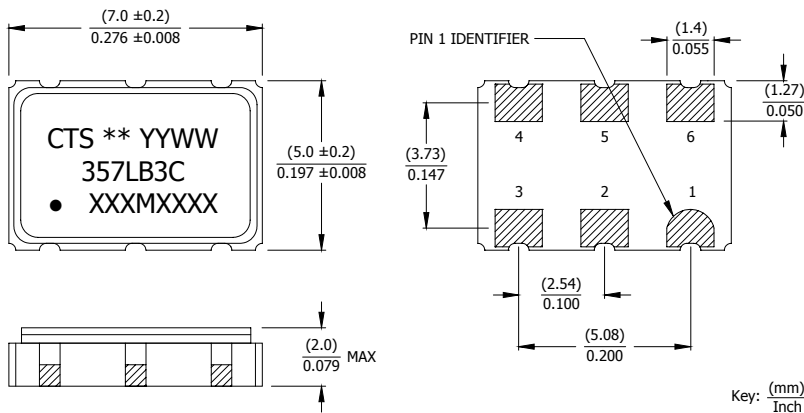


ENABLE TRUTH TABLE

| PIN 2 or PIN 5 | PIN 4 |
|----------------|-----------|
| Logic '1' | Output |
| Open | Output |
| Logic '0' | High Imp. |

MECHANICAL SPECIFICATIONS

PACKAGE DRAWING



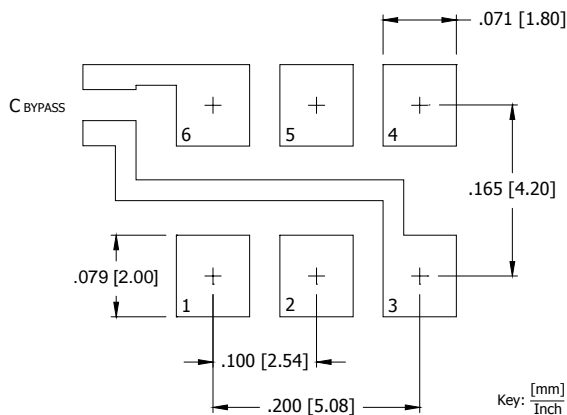
MARKING INFORMATION

- ** - Manufacturing Site Code.
- YYWW - Date code, YY - year, WW - week.
- Truncated CTS part number.
- XXXMXXXX - Frequency marked with 4 significant digits after the 'M'.

NOTES

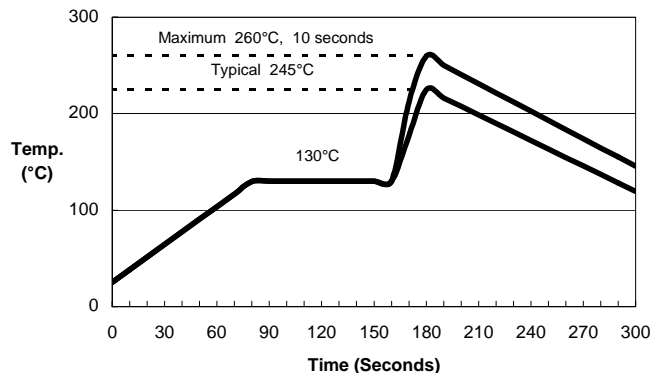
- Termination pads (e4), barrier-plating is nickel (Ni) with gold (Au) flash plate.
- Reflow conditions per JEDEC J-STD-020.

SUGGESTED SOLDER PAD GEOMETRY



C_{BYPASS} should be ≥ 0.01 uF.

SUGGESTED REFLOW PROFILE



TAPE AND REEL INFORMATION



Device quantity is 1,000 pieces per 180mm reel.

ENVIRONMENTAL SPECIFICATIONS

| | |
|----------------------------------|---|
| Temperature Cycle: | 400 cycles from -55°C to $+125^{\circ}\text{C}$, 10 minute dwell at each temperature, 1 minute transfer time between temperatures. |
| Mechanical Shock: | 1,500g's, 0.5mS duration, $\frac{1}{2}$ sinewave, 3 shocks each direction along 3 mutually perpendicular planes (18 total shocks). |
| Sinusoidal Vibration: | 0.06 inches double amplitude, 10 to 55 Hz and 20g's, 55 to 2,000 Hz, 3 cycles each in 3 mutually perpendicular planes (9 times total). |
| Gross Leak: | No leak shall appear while immersed in an FC40 or equivalent liquid at $+125^{\circ}\text{C}$ for 20 seconds. |
| Fine Leak: | Mass spectrometer leak rates less than 2×10^{-8} ATM cc/sec air equivalent. |
| Resistance to Solder Heat: | Product must survive 3 reflows of $+260^{\circ}\text{C}$ peak, 10 seconds maximum. |
| High Temperature Operating Bias: | 2,000 hours at $+125^{\circ}\text{C}$, maximum bias, disregarding frequency shift. |
| Frequency Aging: | 1,000 hours at $+85^{\circ}\text{C}$, full bias, less than ± 5 ppm shift. |
| Moisture Sensitivity Level: | Level 1 per JEDEC J-STD-020. |

QUALITY AND RELIABILITY

Quality systems meet or exceed the requirements of ISO 9000:2000 standards.



Компания «ЭлектроПласт» предлагает заключение долгосрочных отношений при поставках импортных электронных компонентов на взаимовыгодных условиях!

Наши преимущества:

- Оперативные поставки широкого спектра электронных компонентов отечественного и импортного производства напрямую от производителей и с крупнейших мировых складов;
- Поставка более 17-ти миллионов наименований электронных компонентов;
- Поставка сложных, дефицитных, либо снятых с производства позиций;
- Оперативные сроки поставки под заказ (от 5 рабочих дней);
- Экспресс доставка в любую точку России;
- Техническая поддержка проекта, помощь в подборе аналогов, поставка прототипов;
- Система менеджмента качества сертифицирована по Международному стандарту ISO 9001;
- Лицензия ФСБ на осуществление работ с использованием сведений, составляющих государственную тайну;
- Поставка специализированных компонентов (Xilinx, Altera, Analog Devices, Intersil, Interpoint, Microsemi, Aeroflex, Peregrine, Syfer, Eurofarad, Texas Instrument, Miteq, Cobham, E2V, MA-COM, Hittite, Mini-Circuits, General Dynamics и др.);

Помимо этого, одним из направлений компании «ЭлектроПласт» является направление «Источники питания». Мы предлагаем Вам помощь Конструкторского отдела:

- Подбор оптимального решения, техническое обоснование при выборе компонента;
- Подбор аналогов;
- Консультации по применению компонента;
- Поставка образцов и прототипов;
- Техническая поддержка проекта;
- Защита от снятия компонента с производства.



Как с нами связаться

Телефон: 8 (812) 309 58 32 (многоканальный)

Факс: 8 (812) 320-02-42

Электронная почта: org@eplast1.ru

Адрес: 198099, г. Санкт-Петербург, ул. Калинина, дом 2, корпус 4, литера А.