

FEATURES

- TI OMAP-L138 Dual Core Application Processor
 - **456 MHz (Max) C674x VLIW DSP**
 - Floating Point DSP
 - 32 KB L1 Program Cache
 - 32 KB L1 Data Cache
 - 256 KB L2 cache
 - 1024 KB boot ROM
 - JTAG Emulation/Debug
 - **456 MHz (Max) ARM926EJ-S MPU**
 - 16 KB L1 Program Cache
 - 16 KB L1 Data Cache
 - 8 KB Internal RAM
 - 64 KB boot ROM
 - JTAG Emulation/Debug
- On-Board Xilinx Spartan-6 FPGA
 - Up To XC6SLX45
 - Up To 2,088 KBits Block RAM
 - Up To 6,822 Slices (6 Input LUTs)
 - 1050 Mbps data rate
 - JTAG Interface/Debug
- Up To 256 MB mDDR2 CPU RAM
- Up To 512 MB Parallel NAND FLASH
- 8 MB SPI based NOR FLASH
- Integrated Power Management
- Standard SO-DIMM-200 Interface
 - 96 FPGA User I/O Pins
 - 10/100 EMAC MII / MDIO
 - 2 UARTS
 - 2 McBSPs
 - 2 USB Ports
 - Video Output
 - Camera/Video Input
 - MMC/SD
 - SATA
 - Single 3.3V Power Supply



(actual size)

APPLICATIONS

- Embedded Instrumentation
- Industrial Automation
- Industrial Instrumentation
- Medical Instrumentation
- Embedded Control Processing
- Network Enabled Data Acquisition
- Test and Measurement
- Software Defined Radio
- Bar Code Scanners
- Power Protection Systems
- Portable Data Terminals

BENEFITS

- Rapid Development / Deployment
- Multiple Connectivity and Interface Options
- Rich User Interfaces
- High System Integration
- Fixed & Floating Point Operations in Single CPU
- High Level OS Support
 - Linux
 - QNX 6.4
 - Windows Embedded CE Ready
 - ThreadX Real Time OS
- Embedded Digital Signal Processing

DESCRIPTION

The MityDSP-L138F is a highly configurable, very small form-factor processor card that features a Texas Instruments OMAP-L138 456 MHz (max) Applications Processor (OMAP) tightly integrated with the Xilinx Spartan-6 Field Programmable Gate Array (FPGA), FLASH (NAND, and NOR) and mDDR2 RAM memory subsystems. The design of the MityDSP-L138F allows end users the capability to develop programs/logic images for both the OMAP and the FPGA. The MityDSP-L138F provides a complete and flexible digital processing infrastructure necessary for the most demanding embedded applications development.

The onboard OMAP-L138 processor provides a dual CPU core topology. The OMAP-L138 includes an ARM926EJ-S micro-processor unit (MPU) capable of running the rich software applications programmer interfaces (APIs) expected by modern system designers. The ARM architecture supports several operating systems, including Linux and Windows Embedded CE. In addition to the ARM core, the OMAP-L138 also includes a TMS320C674x floating point digital signal processing (DSP) core. The DSP core supports the freely provided TI DSP/BIOS real-time kernel. Users can leverage the DSP to execute real-time compute algorithms (codecs, image/data processing, compression techniques, filtering, etc.)

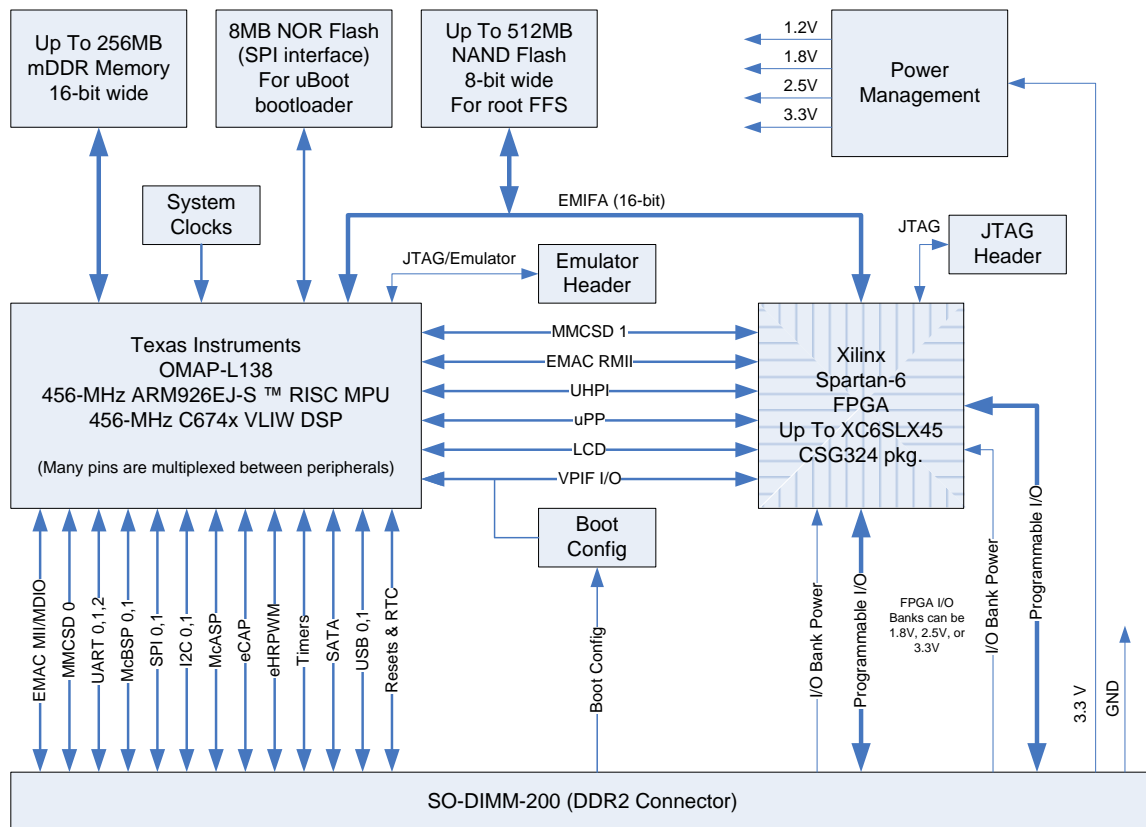


Figure 1 MityDSP-L138F Block Diagram

Figure 1 provides a top level block diagram of the MityDSP-L138F processor card. As shown in the figure, the primary interface to the MityDSP-L138F is through a standard SO-DIMM-200 card edge interface. The interface provides power, synchronous serial connectivity, and up to 96 pins of configurable FPGA I/O for application defined interfacing. Details of the SO-DIMM-200 connector interface are included in the SO-DIMM-200 Interface Description, as shown below.

FPGA Bank I/O

The MityDSP-L138F provides 96 lines of FPGA I/O directly to the SO-DIMM-200 card edge interface. The 96 lines of FPGA I/O are distributed across 2 banks of the FPGA. These I/O lines and their associated logic are completely configurable within the FPGA at the end user's discretion.

With the Xilinx Spartan-6 series FPGA, up to the XC6SLX45, each of the user controlled banks may be configured to operate on a different electrical interface standard based on input voltage provided at the card edge connector. The banks support 3.3V, 2.5V, and 1.8V standard CMOS switching level technology. In addition, the I/O lines from the FPGA have been routed as differential pairs and support higher speed LVDS standards as well as SSTL 2.5 switching standards. Various forms of termination (pull-up/pull-down, digitally controlled impedance matching) are available within the FPGA switch fabric. Refer to the Xilinx Spartan 6 user's guide for more information.

OMAP-L138 mDDR2 Memory Interface

The OMAP-L138 includes a dedicated DDR2 SDRAM memory interface shared between the onboard ARM and DSP cores. The MityDSP-L138F includes up to 256 MB of mDDR2 RAM integrated with the OMAP-L138 processor. The bus interface is capable of burst transfer rates of 600 MB / second.

OMAP-L138 SPI NOR FLASH Interface

The MityDSP-L138F includes 8 MB of SPI NOR FLASH. This FLASH memory is intended to store a factory provided bootloader, and typically a compressed image of a Linux kernel for the ARM core processor.

EMIFA - FPGA / NAND FLASH Interface

The OMAP-L138 and the Spartan-6 FPGA are connected using the DSP Asynchronous External Memory Interface (EMIFA). The EMIFA interface includes 3 chip select spaces. The EMIF interface supports multiple data width transfers and bus wait state configurations based on chip select space. 8, and 16 bit data word sizes may be used. Two of the three chip select lines (CE2, CE3) are reserved for the FPGA interface. The MityDSP-L138F also includes 4 lines between the FPGA and the OMAP for the purposes of generating interrupt signals.

In addition to the FPGA, up to 512 MB of on-board NAND FLASH memory is connected to the OMAP-L138 using the EMIFA bus. The FLASH memory is 8 bits wide and is connected to third chip select line of the EMIFA (CE1). The FLASH memory is typically used to store the following types of data:

- ARM Linux / Windows Embedded CE / QNX embedded root file-system
- FPGA application images
- runtime DSP or ARM software
- runtime application data (non-volatile storage)

OMAP-L138 Camera and Video Interfaces

The OMAP-L138 includes an optional video port I/O interface commonly used to drive LCD screens as well as a camera input interface. These interfaces have been routed to the FPGA, which may be routed to the FPGA output pins on the SO-DIMM-200 connector. By routing the video data through the FPGA, additional user customization and/or processing (e.g., overlays of video output, preprocessing or filtering of camera input) may be offloaded from the OMAP-L138 to the FPGA for computation intensive applications.

Debug Interface

Both the JTAG interface signals for the FPGA and the JTAG and emulator signals for the OMAP-L138 processor have been brought out to a Hirose header that is intended for use with an available Critical Link breakout adapter. This header can be removed for production units; please contact your Critical Link representative for details.

This adapter is not included with individual modules but is included with each Critical Link Development Kit that is ordered. If an adapter, Critical Link (CL) part number 80-000286, is needed please contact your Critical Link representative.

Software and Application Development Support

Users of the MityDSP-L138F are encouraged to develop applications and FPGA firmware using the MityDSP-L138F hardware and software development kit provided by Critical Link LLC. The development kit includes an implementation of an OpenEmbedded board support package providing an Angstrom based Linux distribution and compatible gcc compiler tool-chain with debugger. In addition, the development kit includes support libraries necessary to program the DSP core using the TI Code Composer Studio DSP compiler tool-chain.

To support rapid FPGA and applications development, netlist components - compatible with the Xilinx ISE FPGA synthesis tool – for commonly used FPGA designs and a corresponding set of Linux loadable kernel modules and/or DSP interface APIs are included. The libraries provide the necessary functions needed to configure the MityDSP-L138F, program standalone embedded applications, and interface with the various hardware components both on the processor board as well as a custom application carrier card. The libraries include several interface “cores” – FPGA and DSP software modules designed to interface with various high performance data converter modules (ADCs, DACs, LCD and touchscreen interfaces, etc) – as well as bootloading and FLASH programming utilities.

Growth Options

The OMAP-L138 has been designed to support several upgrade options. These options include various speed grades, memory configurations, and operating temperature specifications including commercial and industrial temperature ranges. The available options are listed in the section below containing ordering information. For additional ordering information and details regarding these options, or to inquire about a particular configuration not listed below, please contact a Critical Link sales representative.

ABSOLUTE MAXIMUM RATINGS

If Military/Aerospace specified cards are required, please contact the Critical Link Sales Office or unit Distributors for availability and specifications.

| | |
|-----------------------------|---------------|
| Maximum Supply Voltage, Vcc | 3.5 V |
| Storage Temperature Range | -65°C to 80°C |
| Shock, Z-Axis | ±10 g |
| Shock, X/Y-Axis | ±10 g |

OPERATING CONDITIONS

| | |
|--------------------------------------|-----------------------------------|
| Ambient Temperature Range Commercial | 0°C to 70°C |
| Ambient Temperature Range Industrial | -40°C to 85°C |
| Humidity | 0 to 95% Non-condensing |
| MIL-STD-810F | Contact Critical Link for Details |

SO-DIMM-200 Interface Description

The primary interface connector for the MityDSP-L138F is the SO-DIMM card edge interface.

Table 1 SO-DIMM Pin-Out

| Pin | I/O | Signal | Pin | I/O | Signal |
|-----|-----|----------------|-----|-----|------------|
| 1 | - | +3.3 V in | 2 | - | +3.3 V in |
| 3 | - | +3.3 V in | 4 | - | +3.3 V in |
| 5 | - | +3.3 V in | 6 | - | +3.3 V in |
| 7 | - | GND | 8 | - | GND |
| 9 | - | GND | 10 | - | GND |
| 11 | I | RESET_IN# | 12 | | EXT_BOOT# |
| 13 | O | SATA_TX_P | 14 | I/O | GP0_7 |
| 15 | O | SATA_TX_N | 16 | I/O | GP0_10 |
| 17 | I | SATA_RX_P | 18 | I/O | GP0_11 |
| 19 | I | SATA_RX_N | 20 | I/O | GP0_15 |
| 21 | I | USB0_ID | 22 | I/O | GP0_6 |
| 23 | I/O | USB1_D_N | 24 | I/O | GP0_14 |
| 25 | I/O | USB1_D_P | 26 | I/O | GP0_12 |
| 27 | O | USB0_VBUS | 28 | I/O | GP0_5 |
| 29 | I/O | USB0_D_N | 30 | I/O | GP0_13 |
| 31 | I/O | USB0_D_P | 32 | I/O | GP0_1 |
| 33 | O | USB0_DRVVBUS | 34 | I/O | GP0_4 |
| 35 | - | 3V RTC Battery | 36 | I/O | GP0_3 |
| 37 | - | +3.3 V in | 38 | - | +3.3 V in |
| 39 | - | +3.3 V in | 40 | - | +3.3 V in |
| 41 | - | GND | 42 | - | GND |
| 43 | I/O | SPI1_MISO | 44 | I/O | GP0_2 |
| 45 | I/O | SPI1_MOSI | 46 | I/O | GP0_0 |
| 47 | I/O | SPI1_ENA | 48 | I/O | GP0_8 |
| 49 | I/O | SPI1_CLK | 50 | I/O | GP0_9 |
| 51 | I/O | SPI1_SCS1 | 52 | I/O | MMCS0_DAT7 |
| 53 | I/O | Reserved | 54 | I/O | MMCS0_DAT6 |
| 55 | I/O | I2C0_SCL | 56 | I/O | MMCS0_DAT5 |
| 57 | I/O | I2C0_SDA | 58 | I/O | MMCS0_DAT4 |

| Pin | I/O | Signal | Pin | I/O | Signal |
|-----|-----|----------------------|-----|------|--------------|
| 59 | I/O | UART2_TXD / I2C1_SDA | 60 | I/O | MMCSDB0_DAT3 |
| 61 | I/O | UART2_RXD / I2C1_SCL | 62 | I/O | MMCSDB0_DAT2 |
| 63 | I/O | GND | 64 | I/O | GND |
| 65 | I/O | UART1_TXD | 66 | I/O | MMCSDB0_DAT1 |
| 67 | I/O | UART1_RXD | 68 | I/O | MMCSDB0_DAT0 |
| 69 | I/O | MDIO_CLK | 70 | I/O | MMCSDB0_CMD |
| 71 | I/O | MDIO_DAT | 72 | I/O | MMCSDB0_CLK |
| 73 | I/O | MII_RXCLK | 74 | I/O | MII_TXCLK |
| 75 | I/O | MII_RXDV | 76 | I/O | MII_TXD3 |
| 77 | I/O | MII_RXD0 | 78 | I/O | MII_TXD2 |
| 79 | I/O | MII_RXD1 | 80 | I/O | MII_TXD1 |
| 81 | I/O | MII_RXD2 | 82 | I/O | MII_TXD0 |
| 83 | I/O | MII_RXD3 | 84 | I/O | MII_TXEN |
| 85 | - | GND | 86 | - | GND |
| 87 | I/O | MII_CRD | 88 | I/O | MII_COL |
| 89 | I/O | MII_RXER | 90 | I/O | FPGA_SUSPEND |
| 91 | I/O | B1_47_P.U17 | 92 | I/O | B1_48_P.M14 |
| 93 | I/O | B1_47_N.U18 | 94 | I/O | B1_48_N.N14 |
| 95 | I/O | B1_45_P.T17 | 96 | I/O | B1_46_P.N15 |
| 97 | I/O | B1_45_N.T18 | 98 | I/O | B1_46_N.N16 |
| 99 | I/O | B1_43_P.P17 | 100 | I/O | B1_44_P.L12 |
| 101 | I/O | B1_43_N.P18 | 102 | I/O | B1_44_N.L13 |
| 103 | I/O | B1_41_P.N17 | 104 | I/O | B1_42_P.K12 |
| 105 | I/O | B1_41_N.N18 | 106 | I/O | B1_42_N.K13 |
| 107 | - | GND | 108 | - | GND |
| 109 | I/O | B1_39_P.M16 | 110 | I/O | B1_40_P.L15 |
| 111 | I/O | B1_39_N.M18 | 112 | I/O | B1_40_N.L16 |
| 113 | I/O | B1_37_P.L17 | 114 | I/O | B1_38_P.K15 |
| 115 | I/O | B1_37_N.L18 | 116 | I/O | B1_38_N.K16 |
| 117 | I/O | B1_35_P.K17 | 118 | I/O | B1_36_P.J13 |
| 119 | I/O | B1_35_N.K18 | 120 | I/O | B1_36_N.K14 |
| 121 | I/O | B1_33_P.J16 | 122 | I/O | B1_34_P.H15 |
| 123 | I/O | B1_33_N.J18 | 124 | I/O | B1_34_N.H16 |
| 125 | I/O | B1_31_P.H17 | 126 | I/O | B1_32_P.H13 |
| 127 | I/O | B1_31_N.H18 | 128 | I/O | B1_32_N.H14 |
| 129 | - | GND | 130 | - | GND |
| 131 | I/O | B1_29_P.G16 | 132 | I/O | B1_30_P.F15 |
| 133 | I/O | B1_29_N.G18 | 134 | I/O | B1_30_N.F16 |
| 135 | I/O | B1_27_P.F17 | 136 | I/O | B1_28_P.H12 |
| 137 | I/O | B1_27_N.F18 | 138 | I/O | B1_28_N.G13 |
| 139 | I/O | B1_25_P.E16 | 140 | I/O | B1_26_P.F14 |
| 141 | I/O | B1_25_N.E18 | 142 | I/O | B1_26_N.G14 |
| 143 | I/O | B1_23_P.D17 | 144 | I/O | B0_24_P.F13 |
| 145 | I/O | B1_23_N.D18 | 146 | I/O | B0_24_N.E13 |
| 147 | I/O | B1_21_P.C17 | 148 | I/O | B0_22_P.D14 |
| 149 | I/O | B1_21_N.C18 | 150 | I/O | B0_22_N.C14 |
| 151 | - | GND | 152 | - | GND |
| 153 | I/O | B0_19_P.B16 | 154 | I/O* | B0_20_P.F12* |
| 155 | I/O | B0_19_N.A16 | 156 | I/O* | B0_20_N.E12* |
| 157 | I/O | B0_17_P.C15 | 158 | I/O* | B0_18_P.D12* |



| Pin | I/O | Signal | Pin | I/O | Signal |
|-----|-----|-------------|-----|------|--------------|
| 159 | I/O | B0_17_N.A15 | 160 | I/O* | B0_18_N.C12* |
| 161 | I/O | B0_15_P.B14 | 162 | I/O* | B0_16_P.F11* |
| 163 | I/O | B0_15_N.A14 | 164 | I/O* | B0_16_N.E11* |
| 165 | I/O | B0_13_P.C13 | 166 | I/O | B0_14_P.D11 |
| 167 | I/O | B0_13_N.A13 | 168 | I/O | B0_14_N.C11 |
| 169 | I/O | B0_11_P.B12 | 170 | I/O* | B0_12_P.E7* |
| 171 | I/O | B0_11_N.A12 | 172 | I/O* | B0_12_N.E8* |
| 173 | - | GND | 174 | - | GND |
| 175 | I/O | B0_9_P.B11 | 176 | I/O | B0_10_P.D9 |
| 177 | I/O | B0_9_N.A11 | 178 | I/O | B0_10_N.C9 |
| 179 | I/O | B0_7_P.C10 | 180 | I/O | B0_8_P.D8 |
| 181 | I/O | B0_7_N.A10 | 182 | I/O | B0_8_N.C8 |
| 183 | I/O | B0_5_P.B9 | 184 | I/O | B0_6_P.D6 |
| 185 | I/O | B0_5_N.A9 | 186 | I/O | B0_6_N.C6 |
| 187 | I/O | B0_3_P.B8 | 188 | I/O | B0_4_P.B6 |
| 189 | I/O | B0_3_N.A8 | 190 | I/O | B0_4_N.A6 |
| 191 | I/O | B0_1_P.C7 | 192 | I/O | B0_2_P.C5 |
| 193 | I/O | B0_1_N.A7 | 194 | I/O | B0_2_N.A5 |
| 195 | - | GND | 196 | - | GND |
| 197 | - | VCCO_1 | 198 | - | VCCO_0 |
| 199 | - | VCCO_1 | 200 | - | VCCO_0 |

* The Xilinx 6SLX45 FPGA does not bond I/O Buffers to balls E7, E8, F11, E11, D12, C12, E12, and F12 of the package used for this module. For MityDSP-L138F configurations using this FPGA option, these edge connector signals should be treated as no-connects and will not function as FPGA I/O lines.

The signal group description for the above pins is included in Table 2.

Table 2 Signal Group Description

| Signal / Group | I/O | Description |
|----------------|-----|--|
| 3.3 V in | N/A | 3.3 volt input power referenced to GND. |
| EXT_BOOT# | I | Bootstrap configuration pin. Pull low to configure booting from external UART1. |
| RESET_IN# | I | Manual Reset. When pulled to GND for a minimum of 1 usec, resets the DSP processor. |
| SPI_XXXX | I/O | The pins with an SPI_ prefix are direct connections to the OMAP-L138 pins supporting the SPI1 interface. The SPI1_CLK, SPI1_ENA, SPI1_MISO, SPI1_MOSI pins must remain configured for the SPI function in order to support interfacing to the on-board SPI boot ROM. For details please refer to the OMAP-L138 processor specifications. |
| MII_XXXX | I/O | The pins with an MII_ prefix are direct connections to the OMAP-L138 pins supporting the media independent interface (MII) function. The MII pins |

| Signal / Group | I/O | Description |
|-------------------------|-----|--|
| | | provide multiplex capability and may alternately be used as UART, GPIO, and SPI control pins. For details please refer to the OMAP-L138 processor specification. |
| MDIO_XX | I/O | The MDIO_CLK and MDIO_DAT signals are direct connects to the corresponding MDIO signals on the OMAP-L138 processor. These pins may be configured for GPIO. |
| GP0_X | IO | General Purpose / multiplexed pins. These pins are direct connects to the corresponding GP0[X] pins on the OMAP-L138 processor. The include support for the McASP, general purpose I/O, UART flow control, and McBSP 1. For details please refer to the OMAP-L138 processor specifications. |
| SATA_TX_P/N | O | These pins are direct connects to the OMAP-L138 SATA_TX differential Serial ATA controller pins. |
| SATA_RX P/N | I | These pins are direct connects to the OMAP-L138 SATA_RX differential Serial ATA controller pins. |
| GND | N/A | System Digital Ground. |
| BX_Y_P.ZZ, BX_Y_N.ZZ | IO | FPGA I/O pins. These pins are routed directly to FPGA pins ZZ. The “X” indicates which FPGA bank the pin is allocated. The bank is either 0 or 1. The FPGA fabric supports routing pins in differential pairs, the Y_P and Y_N portion of the name indicates the pair number and polarity. The pins have been routed in pairs with phase matched line lengths. |
| VCCO_X | I | FPGA Bank interface power input. These pins must be tied to the desired voltage used for the FPGA Bank 0 or 1 interface pins. Please refer to the VCCO input pin specifications for the Xilinx Spartan 6 family of devices for further information. Typical values are 3.3V and 2.5 volts. |
| USB0_XXXX, USB1_XXXX | I/O | The USBN_ prefixed pins are direct connects to the corresponding pins on the OMAP-L138 processor. For details please refer to the OMAP-L138 processor specifications. |

DEBUG INTERFACE

Below is the pin-out for the Hirose 31 pin header (DF9-31P-1V(32)) that interfaces with an available adapter board, CL part number 80-000286, to debug the OMAP-L138 and FPGA.

Debug Interface Connector Description (J2)

Table 3 OMAP-L138 Hirose Connector

| Pin | I/O | Signal | Pin | I/O | Signal |
|-----|-----|--------|-----|-----|--------------------|
| 1 | - | GND | 2 | O | OMAP EMU1 |
| 3 | - | GND | 4 | O | OMAP EMU0 |
| 5 | - | GND | 6 | I | OMAP TCK |
| 7 | - | GND | 8 | O | OMAP RTCK |
| 9 | - | GND | 10 | O | OMAP TDO |
| 11 | - | GND | 12 | - | OMAP VCC / 3.3V |
| 13 | - | GND | 14 | I | OMAP TDI |
| 15 | - | GND | 16 | I | OMAP TRST |
| 17 | - | GND | 18 | I | OMAP TMS |
| 19 | - | GND | 20 | - | GND |
| 21 | - | GND | 22 | O | FPGA VREF / VCCAUX |
| 23 | - | GND | 24 | I | FPGA TMS |
| 25 | - | GND | 26 | I | FPGA TCK |
| 27 | - | GND | 28 | O | FPGA TDO |
| 29 | - | GND | 30 | I | FPGA TDI |
| 31 | - | GND | | | |

ELECTRICAL CHARACTERISTICS

Table 4: Electrical Characteristics

| Symbol | Parameter | Conditions | Min | Typ | Max | Units |
|--|--|---------------|-----|-----|-----|-------|
| V33 | Voltage supply, 3.3 volt input. | | 3.2 | 3.3 | 3.4 | Volts |
| I33 | Quiescent Current draw, 3.3 volt input | | | TBS | TBS | mA |
| I33-max | Max current draw, positive 3.3 volt input. | | | TBS | TBS | mA |
| FCPU | CPU internal clock Frequency (PLL output) | | 25 | 300 | 456 | MHz |
| FEMIF | EMIF bus frequency | Must be ½ CPU | - | 100 | - | MHz |
| 1. Power utilization of the MityDSP-L138F is heavily dependent on end-user application. Major factors include: ARM CPU PLL configuration, DSP Utilization FPGA utilization, and external DDR2 RAM utilization. | | | | | | |

ORDERING INFORMATION

The following table lists the standard module configurations. For shipping status, availability, and lead time of these or other configurations please contact your Critical Link representative.

Table 5: Standard Model Numbers

| Model | ARM and DSP Speed | FPGA | NOR Flash | NAND Flash | RAM | Operating Temp |
|----------------|-------------------|--------|-----------|------------|-------|----------------|
| L138-FG-225-RC | 456 MHz | 6SLX16 | 8MB | 256MB | 128MB | 0°C to 70°C |
| L138-DG-225-RI | 375 MHz | 6SLX16 | 8MB | 256MB | 128MB | -40°C to 85°C |
| L138-FI-225-RC | 456 MHz | 6SLX45 | 8MB | 256MB | 128MB | 0°C to 70°C |
| L138-DI-225-RI | 375 MHz | 6SLX45 | 8MB | 256MB | 128MB | -40°C to 85°C |
| L138-FI-236-RL | 456 MHz | 6SLX45 | 8MB | 512MB | 256MB | -40°C to 70°C |

MECHANICAL INTERFACE

The mechanical outline of the MityDSP-L138F is illustrated in Figure 2, as shown below.

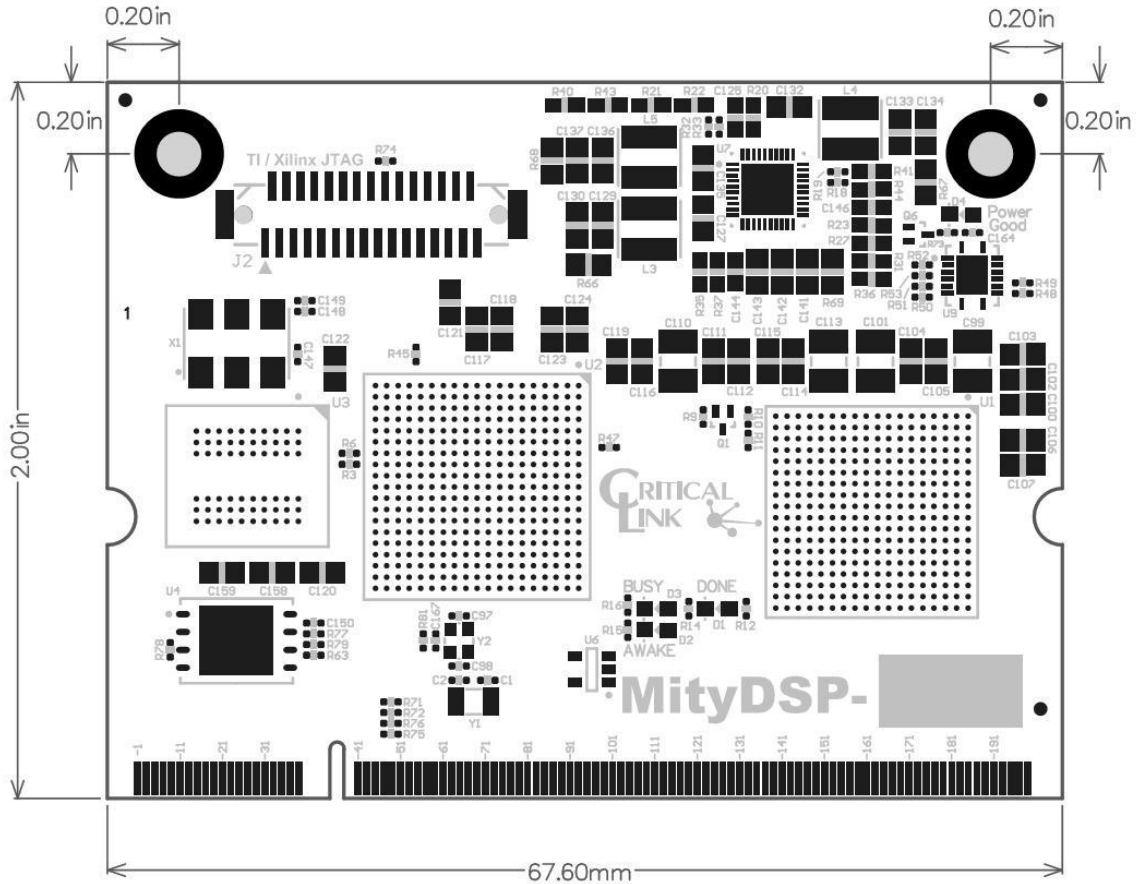


Figure 2 MityDSP-L138F Mechanical Outline

REVISION HISTORY

| Date | Change Description |
|-------------|--|
| 7-NOV-2009 | Preliminary Draft, product overview |
| 10-NOV-2009 | Updates after initial review. |
| 15-JAN-2010 | Updates to features, applications and benefits |
| 16-MAR-2010 | Finalize connector pin-outs. Update mechanical outlines. |
| 6-APR-2010 | Update product photo and speed grade. |
| 21-APR-2010 | Update specifications and options. |
| 26-JUL-2010 | Update ordering information, images and mechanical drawing. |
| 11-FEB-2011 | Correct edge connector Table 1. Update speed grade to max 456 MHz. Updated DDR rate to support 150 MHz clocking. Update model p/n table. |
| 02-JUN-2011 | Update edge connector Table 1 to indicate unavailable FPGA pins for 6SLX45 options. |
| 12-JUL-2011 | Update NAND to indicate 8 bit data width. Update block diagram accordingly. |
| 28-NOV-2011 | Update list of orderable part numbers. |
| 13-AUG-2012 | Fix typo in signal names for pins 79, 81, 83, and 84 |
| 11-DEC-2012 | Update Debug Header information, added MIL-STD-810F and Up To notation for RAM and NAND |



Компания «ЭлектроПласт» предлагает заключение долгосрочных отношений при поставках импортных электронных компонентов на взаимовыгодных условиях!

Наши преимущества:

- Оперативные поставки широкого спектра электронных компонентов отечественного и импортного производства напрямую от производителей и с крупнейших мировых складов;
- Поставка более 17-ти миллионов наименований электронных компонентов;
- Поставка сложных, дефицитных, либо снятых с производства позиций;
- Оперативные сроки поставки под заказ (от 5 рабочих дней);
- Экспресс доставка в любую точку России;
- Техническая поддержка проекта, помощь в подборе аналогов, поставка прототипов;
- Система менеджмента качества сертифицирована по Международному стандарту ISO 9001;
- Лицензия ФСБ на осуществление работ с использованием сведений, составляющих государственную тайну;
- Поставка специализированных компонентов (Xilinx, Altera, Analog Devices, Intersil, Interpoint, Microsemi, Aeroflex, Peregrine, Syfer, Eurofarad, Texas Instrument, Miteq, Cobham, E2V, MA-COM, Hittite, Mini-Circuits, General Dynamics и др.);

Помимо этого, одним из направлений компании «ЭлектроПласт» является направление «Источники питания». Мы предлагаем Вам помощь Конструкторского отдела:

- Подбор оптимального решения, техническое обоснование при выборе компонента;
- Подбор аналогов;
- Консультации по применению компонента;
- Поставка образцов и прототипов;
- Техническая поддержка проекта;
- Защита от снятия компонента с производства.



Как с нами связаться

Телефон: 8 (812) 309 58 32 (многоканальный)

Факс: 8 (812) 320-02-42

Электронная почта: org@eplast1.ru

Адрес: 198099, г. Санкт-Петербург, ул. Калинина, дом 2, корпус 4, литера А.