

**PLEASE CHECK WWW.MOLEX.COM FOR LATEST PART INFORMATION**

**Part Number:** [0543630489](#)  
**Status:** **Active**  
**Description:** 0.50mm (.020") Pitch SlimStack™ Receptacle, Surface Mount, Dual Row, Vertical, 2.00 and 3.00mm (.079 and .118") Stacking Heights, with Solder Tabs, 40 Circuits, Lead-free

**Documents:**

[3D Model](#)  
[Drawing \(PDF\)](#)

[Product Specification PS-54363-046 \(PDF\)](#)  
[RoHS Certificate of Compliance \(PDF\)](#)

**General**

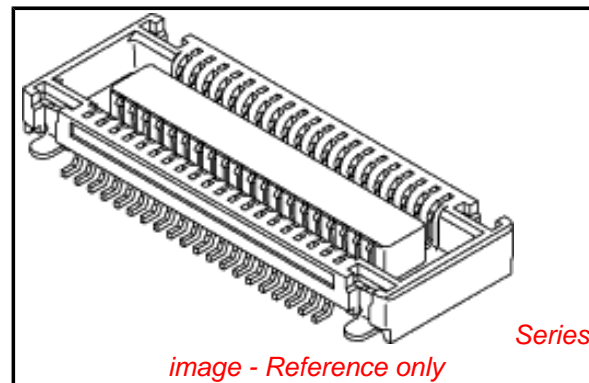
Product Family	PCB Receptacles
Series	<a href="#">54363</a>
Application	Board-to-Board
Product Name	SlimStack™

**Physical**

Circuits (Loaded)	40
Circuits (maximum)	40
Color - Resin	Black
Durability (mating cycles max)	30
Glow-Wire Compliant	No
Mated Height (in)	0.079 In
Mated Height (mm)	2.00 mm
Material - Metal	Phosphor Bronze
Material - Plating Mating	Gold
Material - Plating Termination	Gold
Material - Resin	High Temperature Thermoplastic
Number of Rows	2
Orientation	Vertical
PC Tail Length (in)	0.000 In
PC Tail Length (mm)	0.00 mm
PCB Locator	No
PCB Retention	Yes
PCB Thickness Recommended (in)	0.000 In
PCB Thickness Recommended (mm)	0.00 mm
Packaging Type	Embossed Tape on Reel
Pitch - Mating Interface (in)	0.020 In
Pitch - Mating Interface (mm)	0.50 mm
Pitch - Term. Interface (in)	0.020 In
Pitch - Term. Interface (mm)	0.50 mm
Plating min: Mating (µin)	10
Plating min: Mating (µm)	0.25
Plating min: Termination (µin)	2
Plating min: Termination (µm)	0.05
Polarized to Mating Part	No
Polarized to PCB	No
Stackable	No
Surface Mount Compatible (SMC)	Yes
Temperature Range - Operating	-25°C to +85°C
Termination Interface: Style	Surface Mount

**Electrical**

Current - Maximum per Contact	0.5A
Voltage - Maximum	50V AC (RMS)/DC



**EU RoHS**

**ELV and RoHS Compliant**  
**REACH SVHC**  
 Not Reviewed  
**Halogen-Free Status**  
 Not Reviewed

**China RoHS**



**Need more information on product environmental compliance?**

Email [productcompliance@molex.com](mailto:productcompliance@molex.com)  
 For a multiple part number RoHS Certificate of Compliance, [click here](#)

Please visit the [Contact Us](#) section for any non-product compliance questions.

**Search Parts in this Series**

[54363Series](#)

**Mates With**

[55201](#) PCB Header, [55650](#) PCB Header

**Material Info**

**Reference - Drawing Numbers**

Product Specification

Sales Drawing

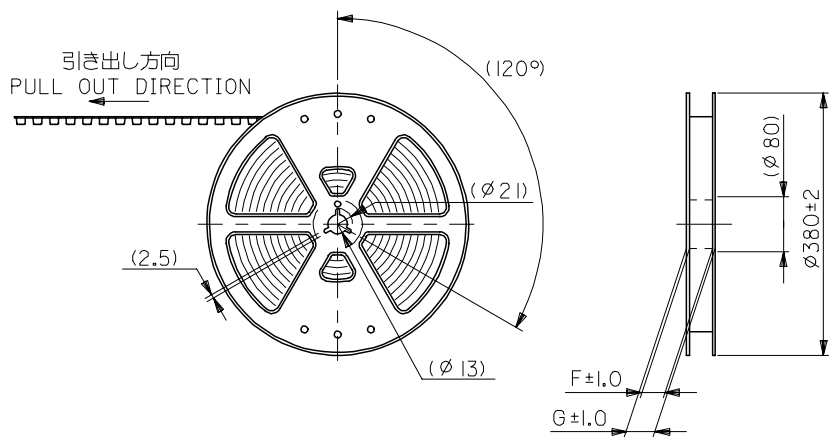
PS-54363-046

SD-54363-049, SD-54363-050

This document was generated on 04/16/2010

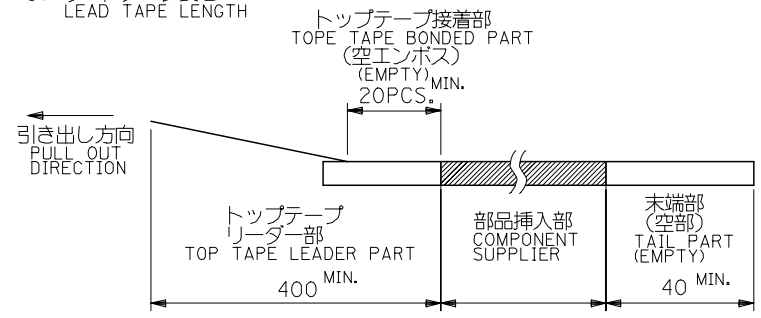
**PLEASE CHECK [WWW.MOLEX.COM](http://WWW.MOLEX.COM) FOR LATEST PART INFORMATION**

10 9 8 7 6 5 4 3 2 1



注)  
NOTES

- 製品番号54363-\*\*81 詳細寸法については、製品単体図面を参照下さい。  
IN THE PACKAGE PART NUMBER 54363-\*\*81 DETAILED DIMENSIONS, SEE SALES DRAWING FOR CONNECTOR.
- 梱包数量：2500個/リール  
NUMBER OF CONNECTORS:2500 PCS/REEL.
- リードテープ長さ  
LEAD TAPE LENGTH



- 材料  
MATERIAL  
キャリアテープ：ポリプロピレン (PP)  
CARRIER TAPE:POLYPROPYLENE(PP)  
トップテープ：PET, PE, PEF  
TOP TAPE:PET,PE,PEF  
リール：ポリスチレン  
REEL : POLYSTYRENE

61.4	57.4	56±0.3	52.4	44.2	26.2	40.55	54363-1689	160	—	
				39.2		35.55	54363-1489	140	○	
49.4	45.4	44±0.3	40.4	34.2	20.2	30.55	54363-1289	120	○	
				31.7		28.05	54363-1189	110	○	
				29.2		25.55	54363-1089	100	○	
37.4	33.4	32±0.3	28.4	26.7	14.2	23.05	54363-0989	90	—	
				24.2		20.55	54363-0889	80	○	
				21.7		18.05	54363-0789	70	○	
29.4	25.4	24±0.3	—	19.2	11.5	15.55	54363-0689	60	○	
				16.7		13.05	54363-0589	50	○	
				14.2		10.55	54363-0489	40	○	
21.4	17.4	16±0.3	—	11.7	7.5	8.05	54363-0389	30	○	
				9.2		5.55	54363-0289	20	○	
G	F	E キャリアテープ幅 CARRIER TAPE WIDTH		D	(C)	(B)	(A)	製品番号 MATERIAL NO.	極数 CIRCUITS	量産対応 AVAILABLE

REVISED EC NO: J2007-1632 DRWN: NABEI 2006/12/05 CHKDK: TOYODA 2006/12/06 APPR: NUKITA 2006/12/07	GENERAL TOLERANCES (UNLESS SPECIFIED)		DIMENSION STYLE MM ONLY		SCALE ---	DESIGN UNITS METRIC	THIRD ANGLE PROJECTION		
	10 UNDER	±0.2	DRAWN BY Y. AOYAGI		DATE 2006/11/08	TITLE EMBOSSD TAPE PACKAGE FOR 54363-**81			
	10 OVER 30 UNDER	±0.25	CHECKED BY K. TOYODA		DATE 2006/11/08				
	30 OVER	±0.3	APPROVED BY N. UKITA		DATE 2006/11/08	MOLEX INCORPORATED			
	ANGULAR	±3 °	MATERIAL NO.		DOCUMENT NO.				
DRAFT WHERE APPLICABLE MUST REMAIN WITHIN DIMENSIONS		SEE CHART		SD-54363-049		1 OF 2			
THIS DRAWING CONTAINS INFORMATION THAT IS PROPRIETARY TO MOLEX INCORPORATED AND SHOULD NOT BE USED WITHOUT WRITTEN PERMISSION									

10 9 8 7 6 5 4 3 2 1

F

E

D

C

B

A

F

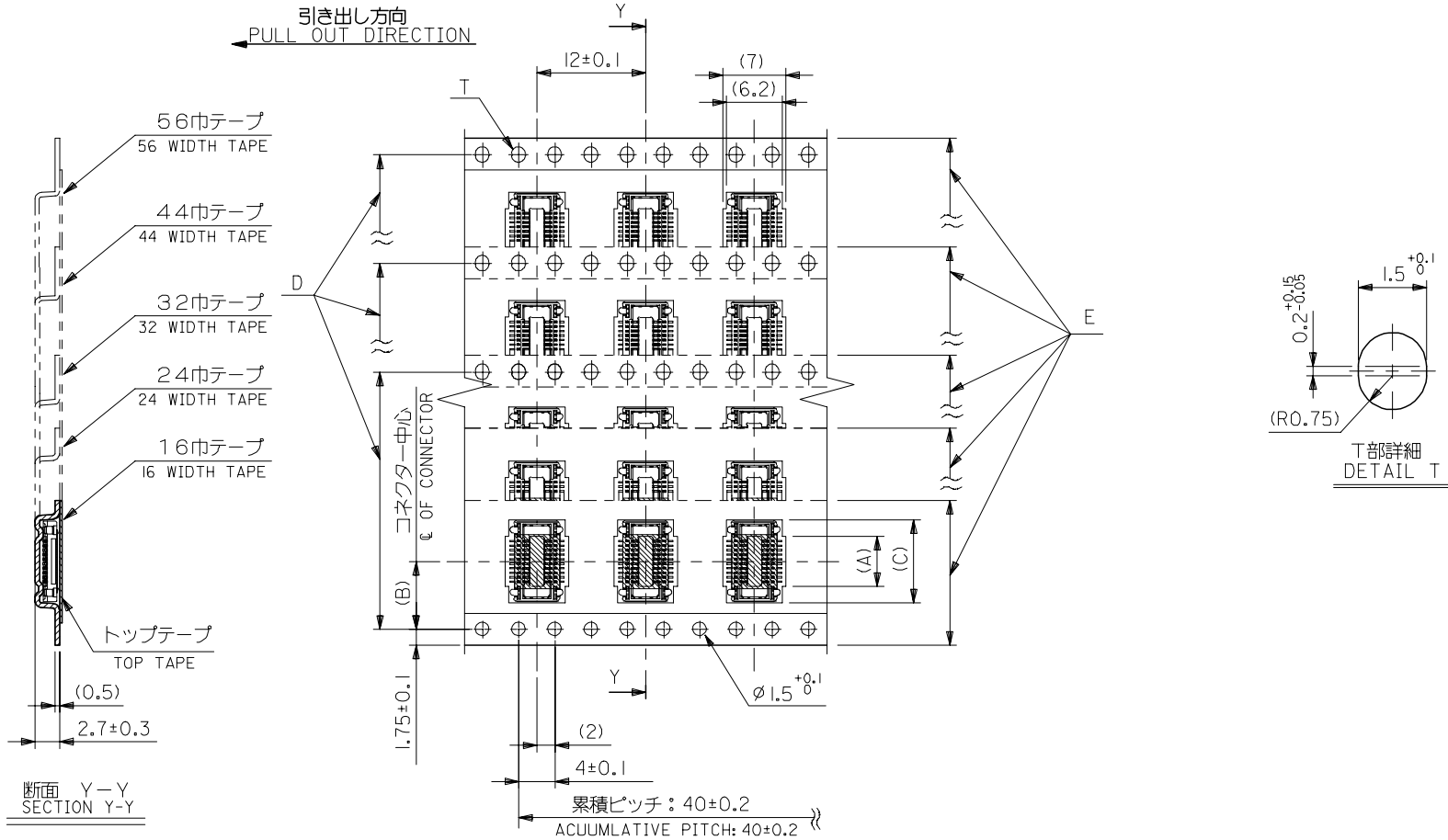
E

D

C

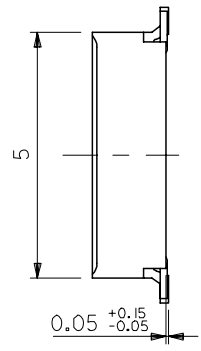
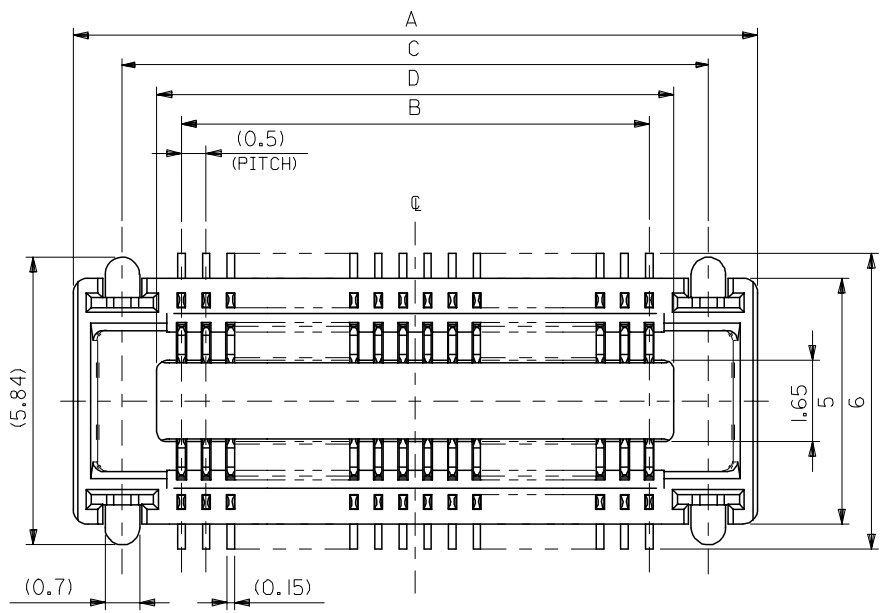
B

A



REVISED EC NO: J2007-1632 DRW: MABEI 2006/12/05 CHK: K. TOYODA 2006/12/06 APPR: NUKITA 2006/12/07 REV A	GENERAL TOLERANCES (UNLESS SPECIFIED)		DIMENSION STYLE MM ONLY	SCALE ---	DESIGN UNITS METRIC	THIRD ANGLE PROJECTION	
	10 UNDER ±0.2	10 OVER 30 UNDER ±0.25	30 OVER ±0.3	DRAWN BY Y. AOYAGI	DATE 2006/11/08	TITLE EMBOSSED TAPE PACKAGE FOR 54363-**81	
	ANGULAR ±3 °			CHECKED BY K. TOYODA	DATE 2006/11/08	MOLEX INCORPORATED	
	DRAFT WHERE APPLICABLE MUST REMAIN WITHIN DIMENSIONS			APPROVED BY N. UKITA	DATE 2006/11/08	MATERIAL NO. SEE SHEET 1	DOCUMENT NO. SD-54363-049
				SIZE A3	THIS DRAWING CONTAINS INFORMATION THAT IS PROPRIETARY TO MOLEX INCORPORATED AND SHOULD NOT BE USED WITHOUT WRITTEN PERMISSION		

10 9 8 7 6 5 4 3 2 1



注記  
NOTES:

1. 材質  
MATERIAL  
ハウジング: LCP (液晶ポリマー)、ガラス充填、黒色、UL94V-0  
HOUSING: LCP (LIQUID CRYSTAL POLYMER), GLASS FILLED, BLACK, UL94V-0  
ターミナル: 銅合金 (t=0.15)  
TERMINAL: COPPER ALLOY (t=0.15)  
ネイル: 銅合金 (t=0.2)  
NAIL: COPPER ALLOY (t=0.2)
2. メッキ仕様  
PLATING  
ターミナル  
TERMINAL  
接点部: 金メッキ 0.25マイクロメートル以上  
CONTACT AREA: GOLD 0.25 MICROMETER MINIMUM  
半田付け部: 金メッキ 0.4マイクロメートル以上  
SOLDER TAIL AREA: GOLD 0.4 MICROMETER MAXIMUM  
下地メッキ: ニッケルメッキ 1.5マイクロメートル以上  
UNDER PLATING: NICKEL 1.5 MICROMETER MINIMUM  
ネイル  
NAIL  
錫メッキ 3.0マイクロメートル以上  
TIN 3.0 MICROMETER MINIMUM  
下地メッキ: ニッケルメッキ 1.0マイクロメートル以上  
UNDER PLATING: NICKEL 1.0 MICROMETER MINIMUM
3. テール平坦度は、0.08ミリメートル以下。テールとネイルを併せた平坦度は、0.1ミリメートル以下。  
TAIL COPLANARITY TO BE 0.08 MAXIMUM. TAILS AND NAILS COPLANARITY TO BE 0.1 MAXIMUM.
4. 嵌合相手: 55201-\*\*\*\*, 55650-\*\*\*\* (H=2mm)  
MATED CONN.: 55201-\*\*\*\*, 55650-\*\*\*\* (H=2mm)
5. 本製品は、54363-xx71 (エンボス梱包品 54363-xx78) のニッケルバリア品である。  
THIS PRODUCT IS 'NICKEL BARRIER' OF 54363-xx71 (EMBOSSED TAPE PKG 54363-xx78).



40.5	41.9	39.5	43.9	54363-1689	54363-1681	160	—
35.5	36.9	34.5	38.9	54363-1489	54363-1481	140	○
30.5	31.9	29.5	33.9	54363-1289	54363-1281	120	○
28	29.4	27	31.4	54363-1189	54363-1181	110	○
25.5	26.9	24.5	28.9	54363-1089	54363-1081	100	○
23	24.4	22	26.4	54363-0989	54363-0981	90	—
20.5	21.9	19.5	23.9	54363-0889	54363-0881	80	○
18	19.4	17	21.4	54363-0789	54363-0781	70	○
15.5	16.9	14.5	18.9	54363-0689	54363-0681	60	○
13	14.4	12	16.4	54363-0589	54363-0581	50	○
10.5	11.9	9.5	13.9	54363-0489	54363-0481	40	○
8	9.4	7	11.4	54363-0389	54363-0381	30	○
5.5	6.9	4.5	8.9	54363-0289	54363-0281	20	○
D	C	B	A	エンボス梱包品 EMBOSSED TAPE PACKAGING	製品番号 MATERIAL NO.	極数 CIRCUITS	量産対応 AVAILABLE

REVISED EC NO: J2008-1106 DRWN: AOYAGI 2007/10/04 CHKD: TOYODA 2007/10/05 APPR: NUKITA 2007/10/05	GENERAL TOLERANCES (UNLESS SPECIFIED)		DIMENSION STYLE MM ONLY		SCALE 10:1	DESIGN UNITS METRIC	THIRD ANGLE PROJECTION
	10 UNDER	±0.2	DRAWN BY Y. AOYAGI	DATE 2006/11/08	TITLE 0.5 MM PITCH B/B CONN. WITH FITTING NAIL -LEAD FREE-		
	10 OVER 30 UNDER	±0.25	CHECKED BY K. TOYODA	DATE 2006/11/08	MOLEX INCORPORATED		
	30 OVER	±0.3	APPROVED BY N. UKITA	DATE 2006/11/08	DOCUMENT NO. SD-54363-050	SHEET NO. 1 OF 2	
	ANGULAR ±3 °	DRAFT WHERE APPLICABLE MUST REMAIN WITHIN DIMENSIONS		SEE CHART			
		THIS DRAWING CONTAINS INFORMATION THAT IS PROPRIETARY TO MOLEX INCORPORATED AND SHOULD NOT BE USED WITHOUT WRITTEN PERMISSION					

10 9 8 7 6 5 4 3 2 1

F

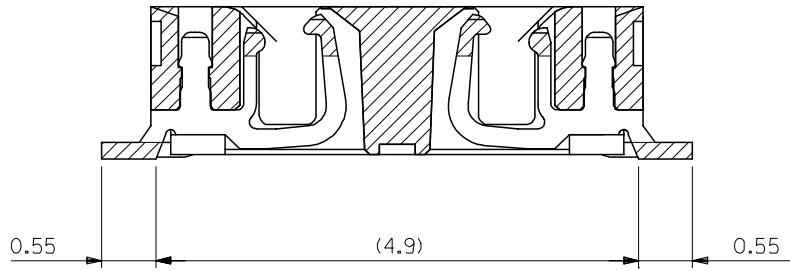
E

D

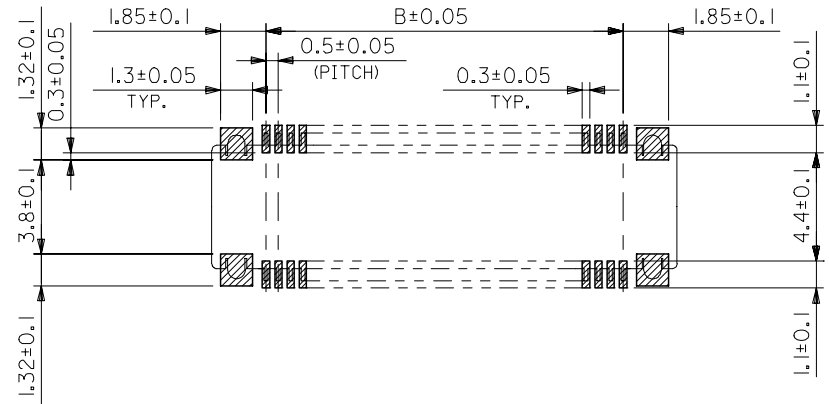
C

B

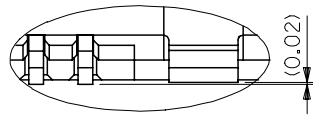
A



半田付け部詳細図  
DETAIL FOR SOLDERING AREA



推奨基板寸法  
RECOMMENDED PCB PATTERN LAYOUT  
(SCALE 5:1)



T部詳細  
DETAIL T

REVISED EC NO: J2008-1106 DRWN: A0YAGI 2007/10/04 CHKD: KTOYODA 2007/10/05 APPR: NUKITA 2007/10/05	GENERAL TOLERANCES (UNLESS SPECIFIED)		DIMENSION STYLE MM ONLY		SCALE 10:1	DESIGN UNITS METRIC	THIRD ANGLE PROJECTION	
	10 UNDER	±0.2	DRAWN BY Y. A0YAGI		DATE 2006/11/08	TITLE 0.5 MM PITCH B/B CONN. WITH FITTING NAIL -LEAD FREE-		
	10 OVER 30 UNDER	±0.25	CHECKED BY K. TOYODA		DATE 2006/11/08			
	30 OVER	±0.3	APPROVED BY N. UKITA		DATE 2006/11/08	MOLEX INCORPORATED DOCUMENT NO. SD-54363-050 SHEET NO. 2 OF 2		
	ANGULAR	±3 °	MATERIAL NO.		SEE SHEET 1			
DRAFT WHERE APPLICABLE MUST REMAIN WITHIN DIMENSIONS		SIZE A3		THIS DRAWING CONTAINS INFORMATION THAT IS PROPRIETARY TO MOLEX INCORPORATED AND SHOULD NOT BE USED WITHOUT WRITTEN PERMISSION				

9

8

7

6

5

4

3

2



Компания «ЭлектроПласт» предлагает заключение долгосрочных отношений при поставках импортных электронных компонентов на взаимовыгодных условиях!

Наши преимущества:

- Оперативные поставки широкого спектра электронных компонентов отечественного и импортного производства напрямую от производителей и с крупнейших мировых складов;
- Поставка более 17-ти миллионов наименований электронных компонентов;
- Поставка сложных, дефицитных, либо снятых с производства позиций;
- Оперативные сроки поставки под заказ (от 5 рабочих дней);
- Экспресс доставка в любую точку России;
- Техническая поддержка проекта, помощь в подборе аналогов, поставка прототипов;
- Система менеджмента качества сертифицирована по Международному стандарту ISO 9001;
- Лицензия ФСБ на осуществление работ с использованием сведений, составляющих государственную тайну;
- Поставка специализированных компонентов (Xilinx, Altera, Analog Devices, Intersil, Interpoint, Microsemi, Aeroflex, Peregrine, Syfer, Eurofarad, Texas Instrument, Miteq, Cobham, E2V, MA-COM, Hittite, Mini-Circuits, General Dynamics и др.);

Помимо этого, одним из направлений компании «ЭлектроПласт» является направление «Источники питания». Мы предлагаем Вам помощь Конструкторского отдела:

- Подбор оптимального решения, техническое обоснование при выборе компонента;
- Подбор аналогов;
- Консультации по применению компонента;
- Поставка образцов и прототипов;
- Техническая поддержка проекта;
- Защита от снятия компонента с производства.



#### Как с нами связаться

**Телефон:** 8 (812) 309 58 32 (многоканальный)

**Факс:** 8 (812) 320-02-42

**Электронная почта:** [org@eplast1.ru](mailto:org@eplast1.ru)

**Адрес:** 198099, г. Санкт-Петербург, ул. Калинина, дом 2, корпус 4, литера А.