

8-Bit Bus Switch, Enable Low 1.8V/2.5V/3.3V, High-Bandwidth, Hot Plug

Features

- ➔ Near-Zero propagation delay
- ➔ 5-ohm switches connect inputs to outputs
- ➔ High signal passing bandwidth (500 MHz)
- ➔ Beyond Rail-to-Rail switching
 - 0 to 5V switching with 3.3V power supply
 - 0 to 3.3V switching with 2.5V power supply
- ➔ 5V I/O tolerant with supply in OFF and ON state
- ➔ 1.8V, 2.5V and 3.3V supply voltage operation
- ➔ Hot Insertion Capable
- ➔ Industrial Operating Temperature: -40°C to +85°C
- ➔ 8kV ESD Protection (human body model)
- ➔ Latch-up Performance: >200mA per JESD17
- ➔ Packaging (Pb-free & Green available):
 - 20-pin 150-mil wide plastic QSOP (Q)
 - 20-pin 173-mil wide plastic TSSOP (L)
 - 20-pin TQFN (ZH)

Description

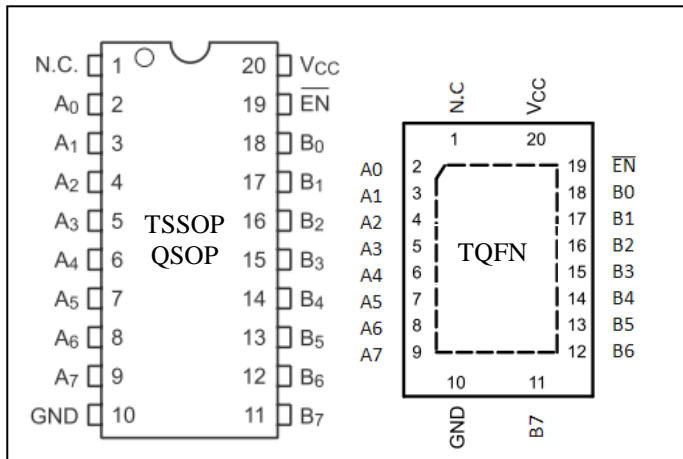
The PI3CH800 is a low voltage, 8-channel switch designed with fast individual enables. The switch introduces no additional ground bounce noise or additional propagation delay.

The PI3CH800 device has active low enables. It is very useful in switching signals that have high bandwidth (500 MHz).

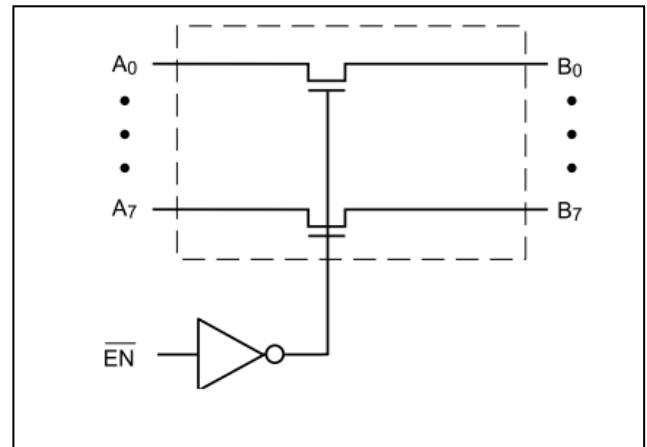
Applications

- ➔ High Bandwidth Data Switching
- ➔ Hot-Docking
- ➔ Analog Signal Switching
- ➔ Differential Signal Switching

Pin Configuration



Block Diagram



Pin Description

| Pin No | Pin Name | Description |
|--------------------------------|-----------------|----------------|
| 19 | \overline{EN} | Switch Enables |
| 2, 3, 4, 5, 6, 7, 8, 9 | A0-A7 | A Ports |
| 10 | GND | Ground |
| 11, 12, 13, 14, 15, 16, 17, 18 | B0-B7 | B Ports |
| 20 | V _{CC} | Power |

Truth Table⁽¹⁾

| \overline{EN} | A _x | Function |
|-----------------|----------------|------------|
| H | Hi-Z | Disconnect |
| L | B _x | Connect |

Note:

1. H=High Voltage Level; L=Low Voltage Level; Hi-Z=High Impedance

Maximum Ratings

| | |
|---|-----------------|
| Storage Temperature..... | -65°C to +150°C |
| Ambient Temperature with Power Applied..... | -40°C to +85°C |
| Supply Voltage to Ground Potential..... | -0.5V to +4.6V |
| DC Input Voltage..... | -0.5V to +6.0V |
| DC Output Current..... | 120mA |
| Power Dissipation..... | 0.5W |

Note:

Stresses greater than those listed under MAXIMUM RATINGS may cause permanent damage to the device. This is a stress rating only and functional operation of the device at these or any other conditions above those indicated in the operational sections of this specification is not implied. Exposure to absolute maximum rating conditions for extended periods may affect reliability.

DC Electrical Characteristics

3.3V supply (Over operating range, $T_A = -40 \sim +85^\circ\text{C}$, $V_{CC} = 3.3\text{V} \pm 10\%$, unless otherwise noted)

| Symbol | Description | Test Conditions ⁽¹⁾ | Min | Typ ⁽²⁾ | Max | Unit |
|-----------|-------------------------------------|---|------|--------------------|---------|---------------|
| V_{IH} | Control Input HIGH Voltage | Guaranteed Logic HIGH Level | 2.0 | - | - | V |
| V_{IL} | Control Input LOW Voltage | Guaranteed Logic LOW Level | -0.5 | - | 0.8 | V |
| V_{IK} | Clamp Diode Voltage | $V_{CC} = \text{Min.}, I_{IN} = -18\text{mA}$ | - | -1.3 | -1.8 | V |
| I_{IH} | Input HIGH Current | $V_{CC} = \text{Max.}, V_{IN} = V_{CC}$ | - | - | ± 1 | μA |
| I_{IL} | Input Low Current | $V_{CC} = \text{Max.}, V_{IN} = \text{GND}$ | - | - | ± 1 | μA |
| I_{OZH} | High-Impedance Current | $0 \leq A, B \leq V_{CC}$ | - | - | ± 1 | μA |
| R_{ON} | Switch On-Resistance ⁽³⁾ | $V_{CC} = \text{Min.}, V_{IN} = 0.0\text{V}$ $I_{ON} = -48\text{mA}$ or -64mA | - | 4 | 6 | Ω |
| | | $V_{CC} = \text{Min.}, V_{IN} = 3.6\text{V}$ $I_{ON} = -15\text{mA}$ | - | 5 | 8 | |

Notes:

1. For Max. or Min. conditions, use appropriate value specified under Electrical Characteristics for the applicable device type.
2. Typical values are at $V_{CC} = 3.3\text{V}$, $T_A = 25^\circ\text{C}$ ambient and maximum loading.
3. Measured by the voltage drop between A and B pin at indicated current through the switch. On-Resistance is determined by the lower of the voltages on the two (Ax, Bx) pins.

2.5V supply (Over operating range, $T_A = -40 \sim +85^\circ\text{C}$, $V_{CC} = 2.5\text{V} \pm 10\%$, unless otherwise noted)

| Symbol | Description | Test Conditions ⁽¹⁾ | Min | Typ ⁽²⁾ | Max | Unit |
|-----------|-------------------------------------|--|------|--------------------|----------------|---------------|
| V_{IH} | Control Input HIGH Voltage | Guaranteed Logic HIGH Level | 1.8 | - | $V_{CC} + 0.3$ | V |
| V_{IL} | Control Input LOW Voltage | Guaranteed Logic LOW Level | -0.3 | - | 0.8 | V |
| V_{IK} | Clamp Diode Voltage | $V_{CC} = \text{Max.}, I_{IN} = -6\text{mA}$ | - | -0.7 | -1.8 | V |
| I_{IH} | Input HIGH Current | $V_{CC} = \text{Max.}, V_{IN} = V_{CC}$ | - | - | ± 1 | μA |
| I_{IL} | Input Low Current | $V_{CC} = \text{Max.}, V_{IN} = \text{GND}$ | - | - | ± 1 | μA |
| I_{OZH} | High-Impedance Current | $0 \leq A, B \leq V_{CC}$ | - | - | ± 1 | μA |
| R_{ON} | Switch On-Resistance ⁽³⁾ | $V_{CC} = \text{Min.}, V_{IN} = 0.0\text{V}$ $I_{ON} = -48\text{mA}$ | - | 4 | 8 | Ω |
| | | $V_{CC} = \text{Min.}, V_{IN} = 2.25\text{V}$ $I_{ON} = -15\text{mA}$ | - | 7 | 14 | |

Notes:

1. For Max. or Min. conditions, use appropriate value specified under Electrical Characteristics for the applicable device type.
2. Typical values are at $V_{CC} = 2.5\text{V}$, $T_A = 25^\circ\text{C}$ ambient and maximum loading.
3. Measured by the voltage drop between A and B pin at indicated current through the switch. On-Resistance is determined by the lower of the voltages on the two (Ax, Bx) pins.

1.8V supply (Over operating range, $T_A = -40 \sim +85^\circ\text{C}$, $V_{CC} = 1.8\text{V} \pm 10\%$, unless otherwise noted)

| Symbol | Description | Test Conditions ⁽¹⁾ | Min | Typ ⁽²⁾ | Max | Unit |
|-----------|-------------------------------------|---|------|--------------------|----------------|---------------|
| V_{IH} | Control Input HIGH Voltage | Guaranteed Logic HIGH Level | 1.2 | - | $V_{CC} + 0.3$ | V |
| V_{IL} | Control Input LOW Voltage | Guaranteed Logic LOW Level | -0.3 | - | 0.6 | V |
| V_{IK} | Clamp Diode Voltage | $V_{CC} = \text{Max.}$, $I_{IN} = -6\text{mA}$ | - | -0.7 | -1.8 | V |
| I_{IH} | Input HIGH Current | $V_{CC} = \text{Max.}$, $V_{IN} = V_{CC}$ | - | - | ± 1 | μA |
| I_{IL} | Input Low Current | $V_{CC} = \text{Max.}$, $V_{IN} = \text{GND}$ | - | - | ± 1 | μA |
| I_{OZH} | High-Impedance Current | $0 \leq A, B \leq V_{CC}$ | - | - | ± 1 | μA |
| R_{ON} | Switch On-Resistance ⁽³⁾ | $V_{CC} = \text{Min.}$, $V_{IN} = 0.0\text{V}$ $I_{ON} = -48\text{mA}$ | - | 4 | 8 | Ω |
| | | $V_{CC} = \text{Min.}$, $V_{IN} = 2.25\text{V}$ $I_{ON} = -15\text{mA}$ | - | 10 | 25 | |

Notes:

- For Max. or Min. conditions, use appropriate value specified under Electrical Characteristics for the applicable device type.
- Typical values are at $V_{CC} = 1.8\text{V}$, $T_A = 25^\circ\text{C}$ ambient and maximum loading.
- Measured by the voltage drop between A and B pin at indicated current through the switch. On-Resistance is determined by the lower of the voltages on the two (Ax, Bx) pins.

Capacitance ($T_A = 25^\circ\text{C}$, $f = 1\text{MHz}$)

| Symbol ⁽¹⁾ | Description | Test Conditions | Typ ⁽²⁾ | Unit |
|-----------------------|-----------------------------|----------------------|--------------------|------|
| C_{IN} | Input Capacitance | $V_{IN} = 0\text{V}$ | 2.0 | pF |
| C_{OFF} | A/B Capacitance, Switch Off | | 3.5 | |
| C_{ON} | A/B Capacitance, Switch On | | 7.0 | |

Note:

- These parameters are determined by device characterization but are not production tested

Power Supply Characteristics

| Symbol | Description | Test Conditions ⁽¹⁾ | Min | Typ | Max | Unit |
|----------|--------------------------------|--|-----|-----|-----|------|
| I_{CC} | Quiescent Power Supply Current | $V_{CC} = 3.6\text{V}$, $V_{IN} = \text{GND}$ or V_{CC} | - | 0.2 | 0.5 | mA |

Note:

- For Max. or Min. conditions, use appropriate value specified under Electrical Characteristics for the applicable device.
- Typical values are at $+25^\circ\text{C}$ ambient

Dynamic Electrical Characteristics

 (Over Operating Range, $T_A = -40 \sim +85^\circ\text{C}$, $V_{CC} = 3.3\text{V} \pm 10\%$)

| Symbol | Description | Test Conditions | Min | Typ | Max | Unit |
|------------|----------------|------------------|-----|-----|-----|------|
| X_{TALK} | Crosstalk | 10MHz | - | -60 | - | dB |
| O_{IRR} | Off-Isolation | 10MHz | - | -60 | - | |
| BW | -3dB Bandwidth | See test Diagram | - | 500 | - | MHz |

Switch Characteristics

Over 3.3V Operating Range

| Symbol | Description | Test Conditions ⁽¹⁾ | Min | Typ | Max | Unit |
|--------------------|---|--------------------------------|-----|-----|-----|------|
| t_{PLH}, t_{PHL} | Propagation Delay ^(2,3) Ax to Bx, Bx to Ax | See test Diagram | - | - | 0.3 | ns |
| t_{PZH}, t_{PZL} | Enable Time \overline{EN} to Ax or Bx | See test Diagram | 1.5 | - | 9.0 | |
| t_{PHZ}, t_{PLZ} | Disable Time \overline{EN} to Ax or Bx | See test Diagram | 1.5 | - | 9.0 | |

Note:

1. See test circuit and waveforms.
2. This parameter is guaranteed but not tested on Propagation Delays.
3. The switch contributes no propagation delay other than the RC delay of the On-Resistance of the switch and the load capacitance. The time constant for the switch alone is of the order of 0.30ns for 10pF load. Since this time constant is much smaller than the rise/fall times of typical driving signals, it adds very little propagation delay to the system. Propagation delay of the switch when used in a system is determined by the driving circuit on the driving side of the switch and its interaction with the load on the driven side.

Over 2.5V Operating Range

| Symbol | Description | Test Conditions ⁽¹⁾ | Min | Typ | Max | Unit |
|--------------------|---|--------------------------------|-----|-----|------|------|
| t_{PLH}, t_{PHL} | Propagation Delay ^(2,3) Ax to Bx, Bx to Ax | See test Diagram | - | - | 0.3 | ns |
| t_{PZH}, t_{PZL} | Enable Time \overline{EN} to Ax or Bx | See test Diagram | 1.5 | - | 15.0 | |
| t_{PHZ}, t_{PLZ} | Disable Time \overline{EN} to Ax or Bx | See test Diagram | 1.5 | - | 12.0 | |

Note:

1. See test circuit and waveforms.
2. This parameter is guaranteed but not tested on Propagation Delays.
3. The switch contributes no propagation delay other than the RC delay of the On-Resistance of the switch and the load capacitance. The time constant for the switch alone is of the order of 0.30ns for 10pF load. Since this time constant is much smaller than the rise/fall times of typical driving signals, it adds very little propagation delay to the system. Propagation delay of the switch when used in a system is determined by the driving circuit on the driving side of the switch and its interaction with the load on the driven side.

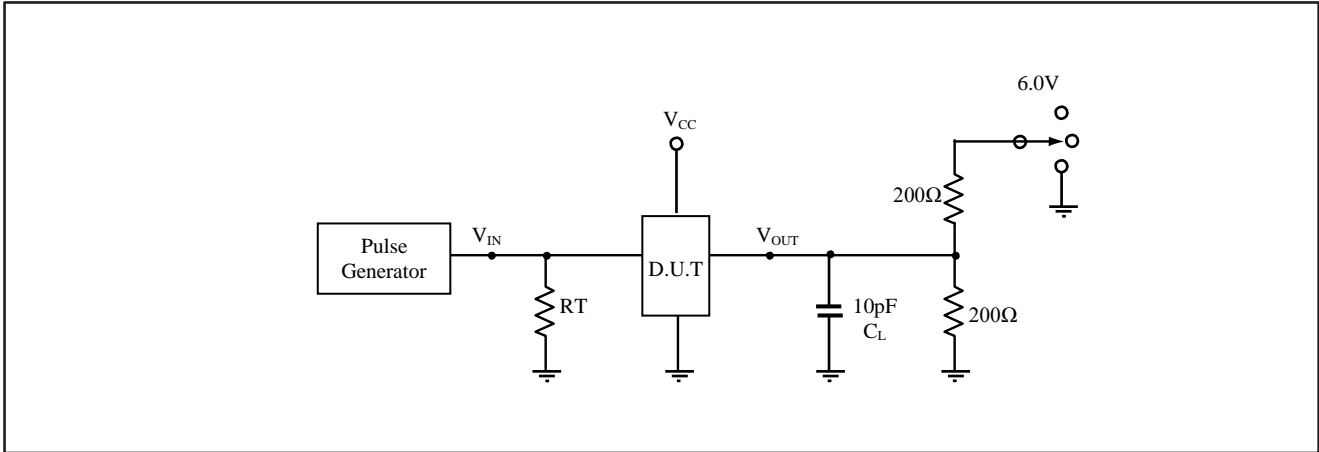
Over 1.8V Operating Range

| Symbol | Description | Test Conditions ⁽¹⁾ | Min | Typ | Max | Unit |
|--------------------|---|--------------------------------|-----|-----|------|------|
| t_{PLH}, t_{PHL} | Propagation Delay ^(2,3) Ax to Bx, Bx to Ax | See test Diagram | - | - | 0.3 | ns |
| t_{PZH}, t_{PZL} | Enable Time EN to Ax or \overline{Bx} | See test Diagram | 1.5 | - | 25.0 | |
| t_{PHZ}, t_{PLZ} | Disable Time EN to Ax or \overline{Bx} | See test Diagram | 1.5 | - | 12.0 | |

Note:

1. See test circuit and waveforms.
2. This parameter is guaranteed but not tested on Propagation Delays.
3. The switch contributes no propagation delay other than the RC delay of the On-Resistance of the switch and the load capacitance. The time constant for the switch alone is of the order of 0.30ns for 10pF load. Since this time constant is much smaller than the rise/fall times of typical driving signals, it adds very little propagation delay to the system. Propagation delay of the switch when used in a system is determined by the driving circuit on the driving side of the switch and its interaction with the load on the driven side.

Test Circuit for Electrical Characteristics



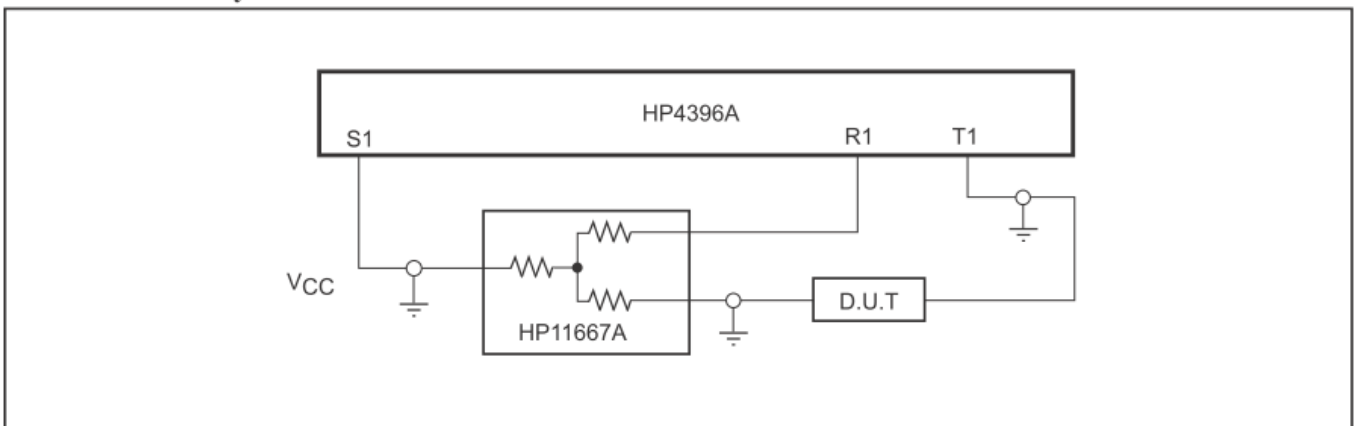
Notes:

1. C_L = Load capacitance: includes jig and probe capacitance.
2. R_T = Termination resistance: should be equal to Z_{OUT} of the Pulse Generator
3. All input impulses are supplied by generators having the following characteristics: $PRR \leq 10$ MHz, $Z_O = 50$ -ohm, $t_R \leq 2.5$ ns, $t_F \leq 2.5$ ns.
4. The outputs are measured one at a time with one transition per measurement.

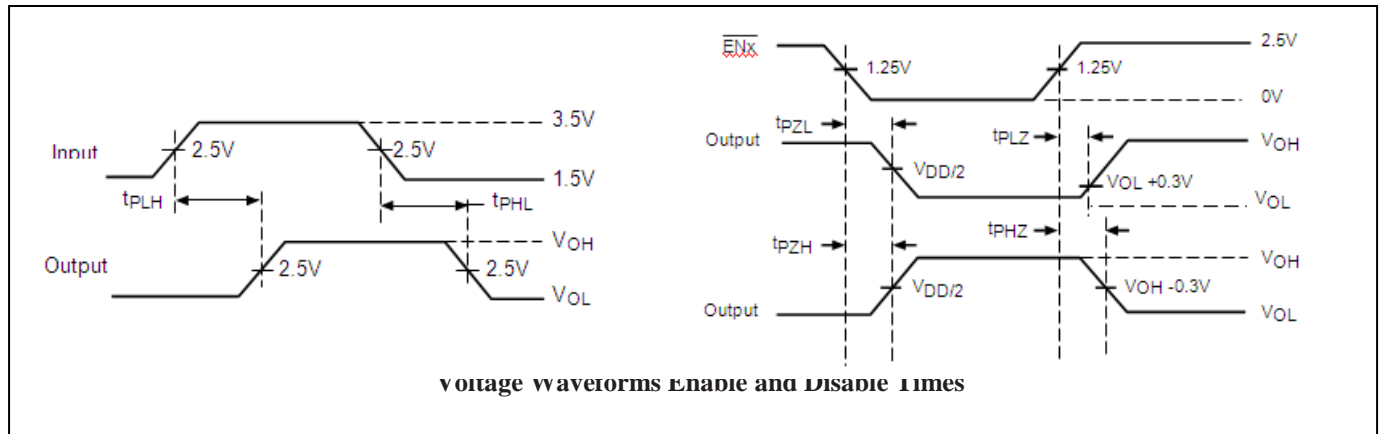
Switch Positions

| Te | Switch |
|--------------------|--------|
| t_{PLZ}, t_{PZL} | 6.0V |
| t_{PHZ}, t_{PZH} | GND |
| Prop Delay | Open |

Test Circuit for Dynamic Electrical Characteristics



Switching Waveforms



Applications Information

Logic Inputs

The logic control inputs can be driven up to 3.6V regardless of the supply voltage. For example, given a +3.3V supply, \overline{EN} may be driven LOW to 0V and HIGH to 3.6V. Driving \overline{EN} Rail-to-Rail® minimizes power consumption.

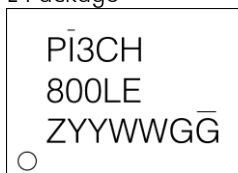
Hot Insertion

For Datacom and Telecom applications that have ten or more volts passing through the backplane, a high voltage from the power supply may be seen at the device input pins during hot insertion. The PI3CH400 devices have maximum limits of 6V and 120mA for 20ns. If the power is higher or applied for a longer time or repeatedly reaches the maximum limits, the devices can be damaged.

Rail-to-Rail is a registered trademark of Nippon Motorola, Ltd.

Part Marking

L Package



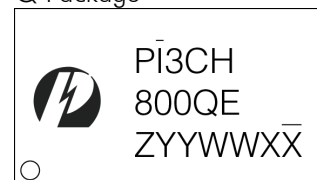
Z: Fixed Code
YY: Year
WW: Workweek
First G: Assembly Site Code
Last G: Wafer Fab Site Code

ZH Package



Z: Fixed Code
Y: Year
W: Workweek
First G: Assembly Site Code
Last G: Wafer Fab Site Code

Q Package



Z: Fixed Code
YY: Year
WW: Workweek
1st X: Assembly Site Code
2nd X: Fab Site Code

Packaging Mechanical

20-TSSOP(L)

| SYMBOLS | MIN. | NOM. | MAX. |
|----------|----------|------|------|
| A | – | – | 1.20 |
| A1 | 0.05 | – | 0.15 |
| A2 | 0.80 | 1.00 | 1.05 |
| b | 0.19 | – | 0.30 |
| C | 0.09 | – | 0.20 |
| D | 6.40 | 6.50 | 6.60 |
| E1 | 4.30 | 4.40 | 4.50 |
| E | 6.20 | 6.40 | 6.60 |
| e | 0.65 BSC | | |
| L1 | 1.00 REF | | |
| L | 0.45 | 0.60 | 0.75 |
| S | 0.20 | – | – |
| θ | 0° | – | 8° |

NOTES:
 1. ALL DIMENSIONS IN MILLIMETERS. ANGLES IN DEGREES.
 2. JEDEC MO-153F
 3. DIMENSIONS DOES NOT INCLUDE MOLD FLASH, PROTRUSIONS OR GATE BURRS.

PERICOM
Enabling Serial Connectivity

DATE: 03/31/16

DESCRIPTION: 20-Pin, 173mil Wide TSSOP

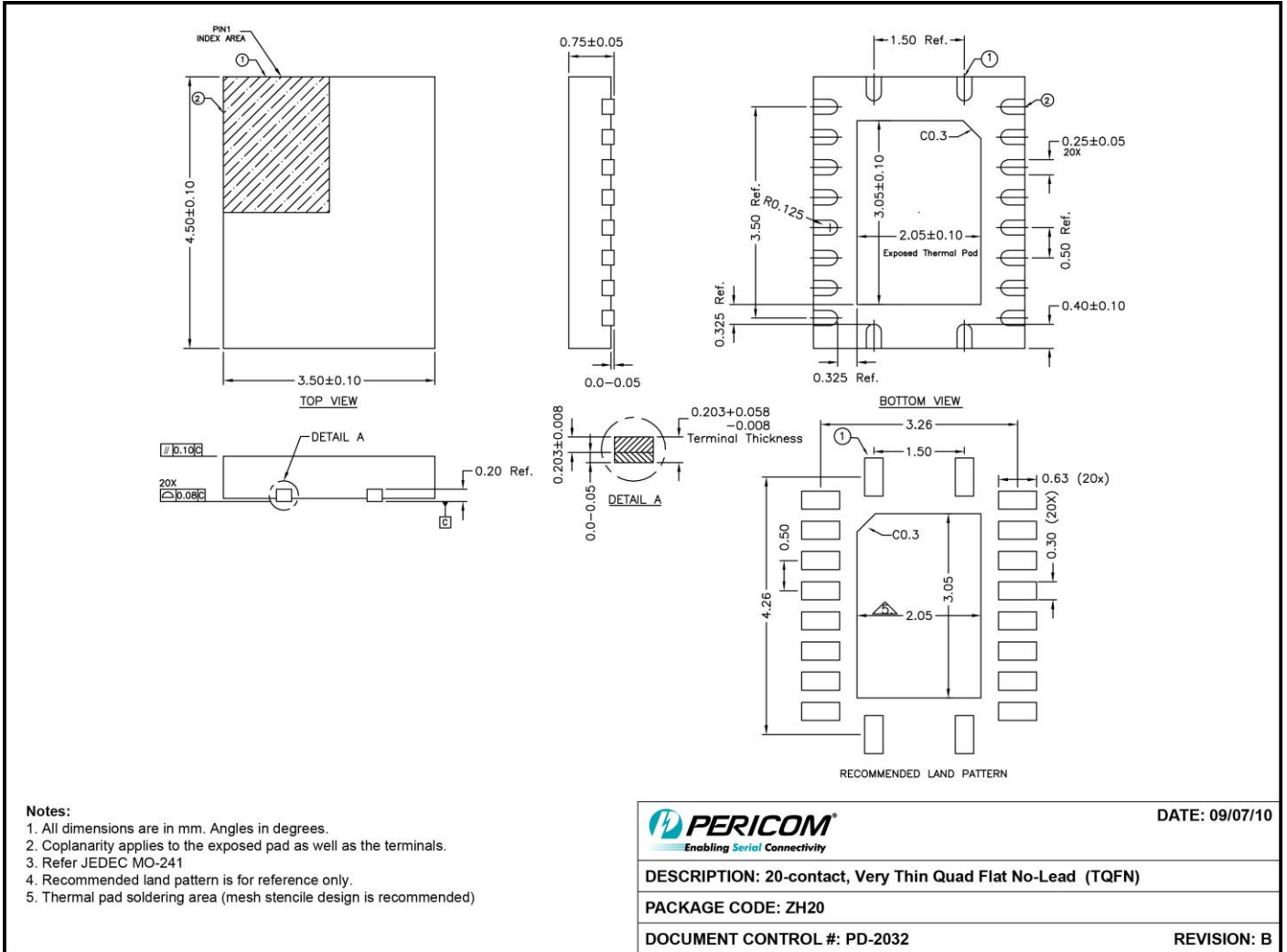
PACKAGE CODE: L (L20)


DOCUMENT CONTROL #: PD-1311

REVISION: G

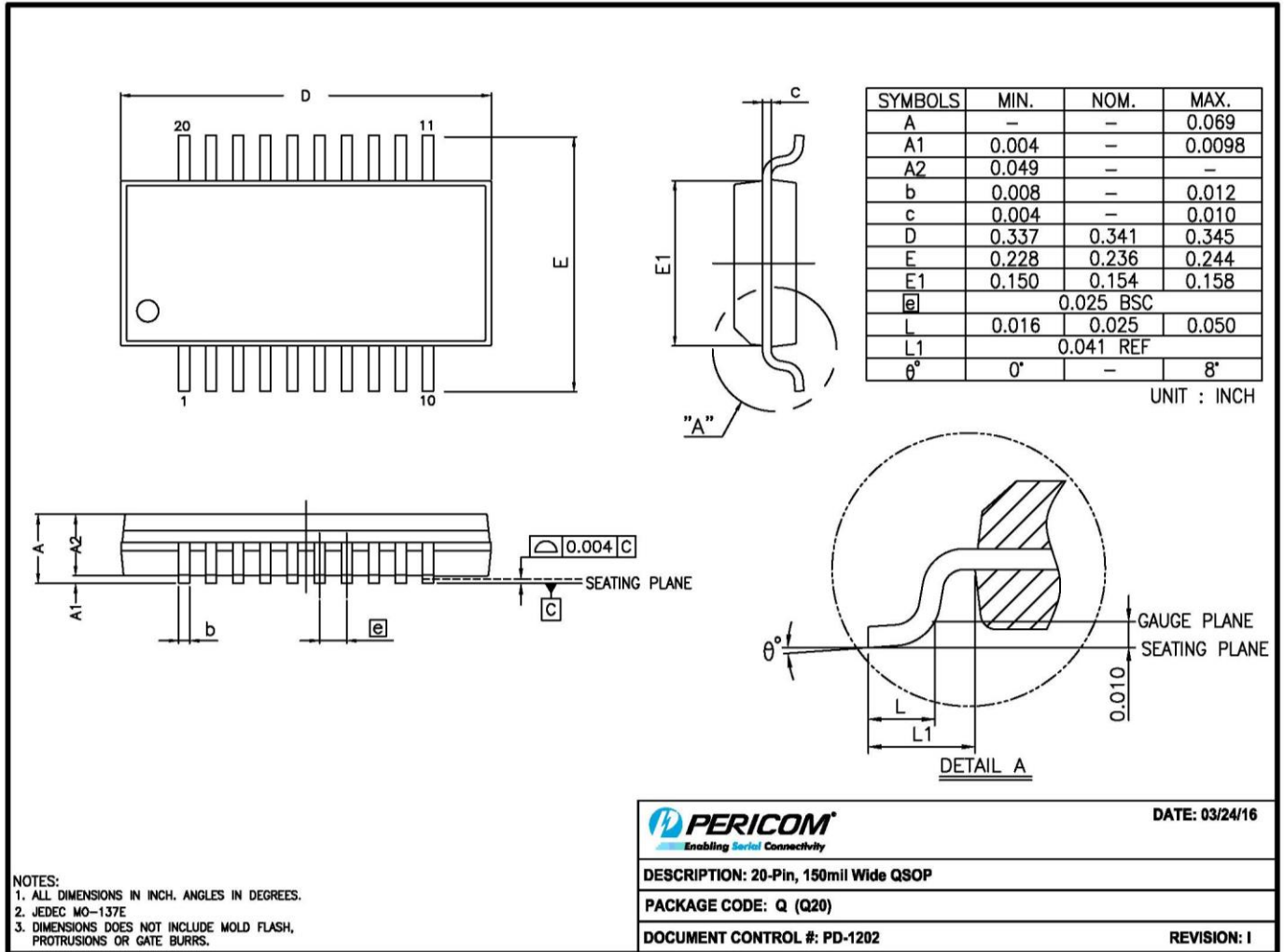
16-0074

20-TQFN(ZH)



| | |
|--|----------------|
|  | DATE: 09/07/10 |
| DESCRIPTION: 20-contact, Very Thin Quad Flat No-Lead (TQFN) | |
| PACKAGE CODE: ZH20 | |
| DOCUMENT CONTROL #: PD-2032 | REVISION: B |

20-QSOP(Q)



16-0057

For latest package info.

please check: <http://www.diodes.com/design/support/packaging/pericom-packaging/packaging-mechanicals-and-thermal-characteristics/>

Ordering Information

| Part Number | Package Code | Package Description |
|--------------|--------------|--|
| PI3CH800LEX | L | 20-Pin, 173mil-Wide (TSSOP) |
| PI3CH800ZHEX | ZH | 20-Pin, Very Thin Quad Flat No-Lead (TQFN) |
| PI3CH800QEX | Q | 20-Pin, 150mil-Wide (QSOP) |

Notes:

- EU Directive 2002/95/EC (RoHS), 2011/65/EU (RoHS 2) & 2015/863/EU (RoHS 3) compliant. All applicable RoHS exemptions applied.
- See <http://www.diodes.com/quality/lead-free/> for more information about Diodes Incorporated's definitions of Halogen- and Antimony-free, "Green" and Lead-free.
- Thermal characteristics can be found on the company web site at www.diodes.com/design/support/packaging/
- E = Pb-free and Green
- X suffix = Tape/Reel

IMPORTANT NOTICE

DIODES INCORPORATED MAKES NO WARRANTY OF ANY KIND, EXPRESS OR IMPLIED, WITH REGARDS TO THIS DOCUMENT, INCLUDING, BUT NOT LIMITED TO, THE IMPLIED WARRANTIES OF MERCHANTABILITY AND FITNESS FOR A PARTICULAR PURPOSE (AND THEIR EQUIVALENTS UNDER THE LAWS OF ANY JURISDICTION).

Diodes Incorporated and its subsidiaries reserve the right to make modifications, enhancements, improvements, corrections or other changes without further notice to this document and any product described herein. Diodes Incorporated does not assume any liability arising out of the application or use of this document or any product described herein; neither does Diodes Incorporated convey any license under its patent or trademark rights, nor the rights of others. Any Customer or user of this document or products described herein in such applications shall assume all risks of such use and will agree to hold Diodes Incorporated and all the companies whose products are represented on Diodes Incorporated website, harmless against all damages.

Diodes Incorporated does not warrant or accept any liability whatsoever in respect of any products purchased through unauthorized sales channel.

Should Customers purchase or use Diodes Incorporated products for any unintended or unauthorized application, Customers shall indemnify and hold Diodes Incorporated and its representatives harmless against all claims, damages, expenses, and attorney fees arising out of, directly or indirectly, any claim of personal injury or death associated with such unintended or unauthorized application.

Products described herein may be covered by one or more United States, international or foreign patents pending. Product names and markings noted herein may also be covered by one or more United States, international or foreign trademarks.

This document is written in English but may be translated into multiple languages for reference. Only the English version of this document is the final and determinative format released by Diodes Incorporated.

LIFE SUPPORT

Diodes Incorporated products are specifically not authorized for use as critical components in life support devices or systems without the express written approval of the Chief Executive Officer of Diodes Incorporated. As used herein:

A. Life support devices or systems are devices or systems which:

1. are intended to implant into the body, or
2. support or sustain life and whose failure to perform when properly used in accordance with instructions for use provided in the labeling can be reasonably expected to result in significant injury to the user.

B. A critical component is any component in a life support device or system whose failure to perform can be reasonably expected to cause the failure of the life support device or to affect its safety or effectiveness.

Customers represent that they have all necessary expertise in the safety and regulatory ramifications of their life support devices or systems, and acknowledge and agree that they are solely responsible for all legal, regulatory and safety-related requirements concerning their products and any use of Diodes Incorporated products in such safety-critical, life support devices or systems, notwithstanding any devices- or systems-related information or support that may be provided by Diodes Incorporated. Further, Customers must fully indemnify Diodes Incorporated and its representatives against any damages arising out of the use of Diodes Incorporated products in such safety-critical, life support devices or systems.

Copyright © 2016, Diodes Incorporated
www.diodes.com



Компания «ЭлектроПласт» предлагает заключение долгосрочных отношений при поставках импортных электронных компонентов на взаимовыгодных условиях!

Наши преимущества:

- Оперативные поставки широкого спектра электронных компонентов отечественного и импортного производства напрямую от производителей и с крупнейших мировых складов;
- Поставка более 17-ти миллионов наименований электронных компонентов;
- Поставка сложных, дефицитных, либо снятых с производства позиций;
- Оперативные сроки поставки под заказ (от 5 рабочих дней);
- Экспресс доставка в любую точку России;
- Техническая поддержка проекта, помощь в подборе аналогов, поставка прототипов;
- Система менеджмента качества сертифицирована по Международному стандарту ISO 9001;
- Лицензия ФСБ на осуществление работ с использованием сведений, составляющих государственную тайну;
- Поставка специализированных компонентов (Xilinx, Altera, Analog Devices, Intersil, Interpoint, Microsemi, Aeroflex, Peregrine, Syfer, Eurofarad, Texas Instrument, Miteq, Cobham, E2V, MA-COM, Hittite, Mini-Circuits, General Dynamics и др.);

Помимо этого, одним из направлений компании «ЭлектроПласт» является направление «Источники питания». Мы предлагаем Вам помощь Конструкторского отдела:

- Подбор оптимального решения, техническое обоснование при выборе компонента;
- Подбор аналогов;
- Консультации по применению компонента;
- Поставка образцов и прототипов;
- Техническая поддержка проекта;
- Защита от снятия компонента с производства.



Как с нами связаться

Телефон: 8 (812) 309 58 32 (многоканальный)

Факс: 8 (812) 320-02-42

Электронная почта: org@eplast1.ru

Адрес: 198099, г. Санкт-Петербург, ул. Калинина, дом 2, корпус 4, литера А.