

LOW PROFILE LEADED CERAMIC RESONATOR

HWZT-RS

HWZT-RS

RoHS/RoHS II Compliant

Pb in ceramic, exemption (7c-I)

5.5 x 3.0 x 5.0mm

FEATURES:

- Low resonant impedance
- Small size, Light weight.
- Low cost timing solution .

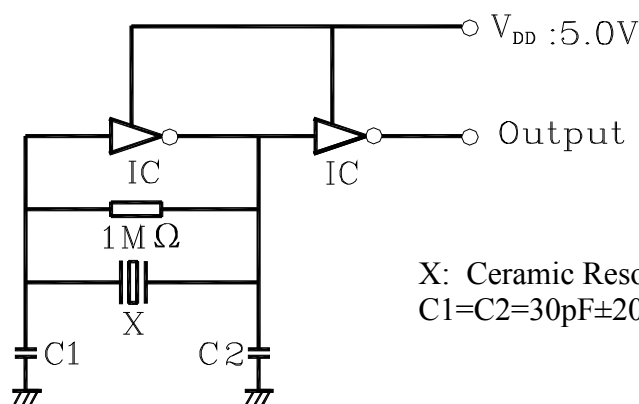
APPLICATIONS:

- Clock oscillation for microcontrollers
- Telephones
- Household electric appliances

STANDARD SPECIFICATIONS:

| Parameters | Minimum | Typical | Maximum | Units | Notes |
|-------------------------|--------------|---------|---------|------------|--------------------|
| Frequency Range | 6.01 | | 12.50 | MHz | |
| Resonant Impedance (Ro) | | | 25 | Ω | |
| Frequency Tolerance | -0.5 | | +0.5 | % | |
| Frequency Stability | -0.3 | | +0.3 | % | -25°C to +85°C |
| Withstanding Voltage | | | 100 | Vdc | 5 secs |
| Rating Voltage | D.C. Voltage | | 6 | Vdc | |
| | A.C. Voltage | | 15 | Vp-p. | |
| Load Capacitance | 24 | 30 | 36 | pF | |
| Insulation Resistance | 500 | | | M Ω | 10Vdc, 1min |
| Operation Temperature | -25 | | +85 | °C | |
| Storage Temperature | -40 | | +85 | °C | |
| Aging Rate (Fosc) | -0.3 | | 0.3 | % | From initial value |

TEST CONDITION AND TEST CIRCUIT:



Parts shall be measured under a condition (Temp.: 20±15°C, Humidity: 65±20% R.H.) unless the standard condition (Temp: 25±3°C, Humidity: 65±10% R.H.) is regulated to measure

X: Ceramic Resonator
C1=C2=30pF±20%

OPTIONS & PART IDENTIFICATION:

HWZT - RS -

Frequency

Frequency in MHz

Packaging

Blank: Bulk

A: AMMO package*

*AMMO package
lead length 13.5mm

LOW PROFILE LEADED CERAMIC RESONATOR

HWZT-RS

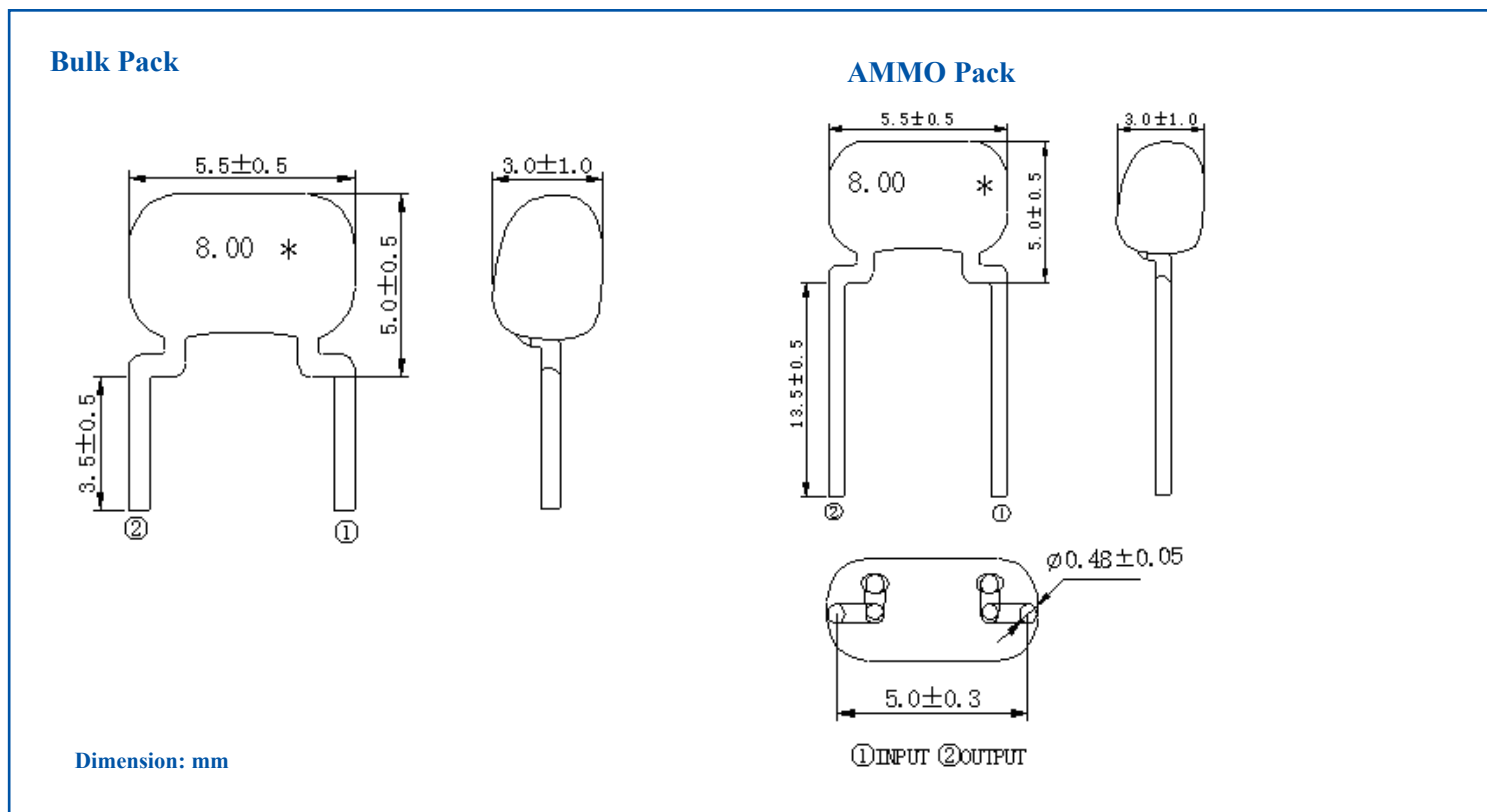
RoHS/RoHS II Compliant

Pb in ceramic, exemption (7c-I)

HWZT-RS

5.5 x 3.0 x 5.0mm

➤ OUTLINE DRAWING:



Packaging:

Bulk: 500pcs/plastic bag

AMMO: 2000pcs/box

Note: upon opening the original packaging, it is recommended that the product be used within 1 year. If the product will not be used within 1 year, it is recommended that the product be re-sealed in airtight packaging according to MSL 1 requirements to maintain solderability.

➤ CAUTION

- (1) Do not apply excess mechanical stress to the component body or terminations. Do not attempt to re-form or bend the components as this will cause damage to the component.
- (2) This component is not hermetically sealed. Do not clean or wash the component.
- (3) Reflow Soldering: Do not use strong acidity flux, such as flux with chlorine content of greater than 0.2wt% during Reflow Soldering.
- (4) Do not expose the component to open flame.
- (5) This specification applies to the functionality of the component as a single unit.
- (6) Storage Conditions: If the product is to be stored for a period greater than 1 year after the Delivery Date, it is recommended that customers confirm the solderability and characteristics for the product prior to use.
- (7) This product is not recommended for use in the following applications: Automotive, Medical, Military, Safety, or any other high-reliability life dependant applications. Contact Abracon Corporation prior to using this product when in doubt.

ATTENTION: Abracon Corporation's products are COTS – Commercial-Off-The-Shelf products; suitable for Commercial, Industrial and, where designated, Automotive Applications. Abracon's products are not specifically designed for Military, Aviation, Aerospace, Life-dependant Medical applications or any application requiring high reliability where component failure could result in loss of life and/or property. For applications requiring high reliability and/or presenting an extreme operating environment, written consent and authorization from Abracon Corporation is required. Please contact Abracon Corporation for more information.



Компания «ЭлектроПласт» предлагает заключение долгосрочных отношений при поставках импортных электронных компонентов на взаимовыгодных условиях!

Наши преимущества:

- Оперативные поставки широкого спектра электронных компонентов отечественного и импортного производства напрямую от производителей и с крупнейших мировых складов;
- Поставка более 17-ти миллионов наименований электронных компонентов;
- Поставка сложных, дефицитных, либо снятых с производства позиций;
- Оперативные сроки поставки под заказ (от 5 рабочих дней);
- Экспресс доставка в любую точку России;
- Техническая поддержка проекта, помощь в подборе аналогов, поставка прототипов;
- Система менеджмента качества сертифицирована по Международному стандарту ISO 9001;
- Лицензия ФСБ на осуществление работ с использованием сведений, составляющих государственную тайну;
- Поставка специализированных компонентов (Xilinx, Altera, Analog Devices, Intersil, Interpoint, Microsemi, Aeroflex, Peregrine, Syfer, Eurofarad, Texas Instrument, Miteq, Cobham, E2V, MA-COM, Hittite, Mini-Circuits, General Dynamics и др.);

Помимо этого, одним из направлений компании «ЭлектроПласт» является направление «Источники питания». Мы предлагаем Вам помощь Конструкторского отдела:

- Подбор оптимального решения, техническое обоснование при выборе компонента;
- Подбор аналогов;
- Консультации по применению компонента;
- Поставка образцов и прототипов;
- Техническая поддержка проекта;
- Защита от снятия компонента с производства.



Как с нами связаться

Телефон: 8 (812) 309 58 32 (многоканальный)

Факс: 8 (812) 320-02-42

Электронная почта: org@eplast1.ru

Адрес: 198099, г. Санкт-Петербург, ул. Калинина, дом 2, корпус 4, литера А.