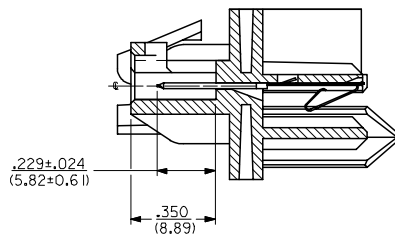
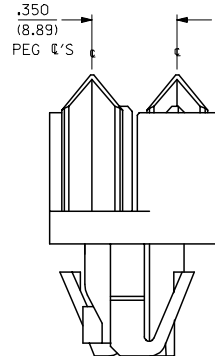
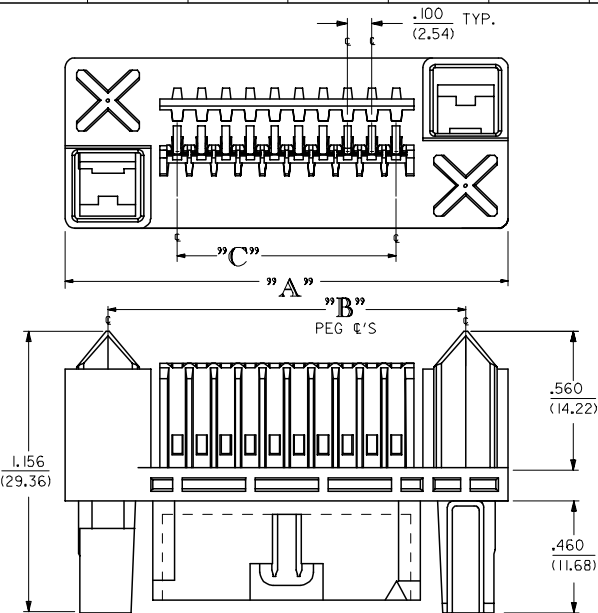
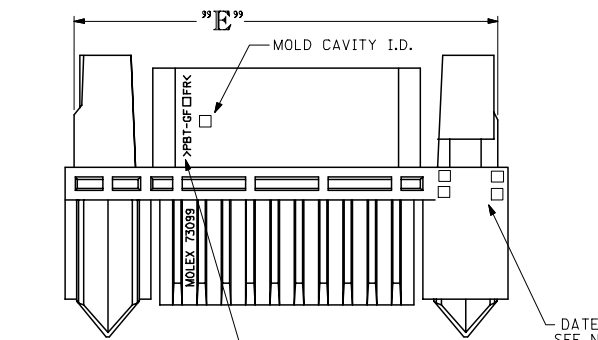
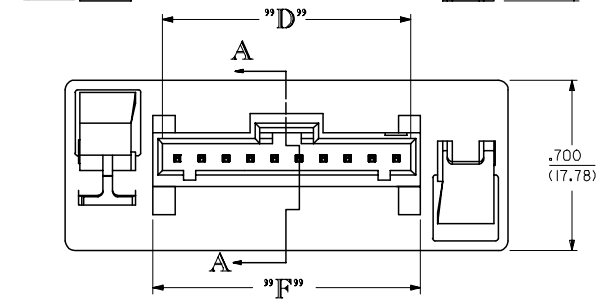


STANDARD SL
OPTION (TYPE "A")
73099-02XX
OR
73099-92XX

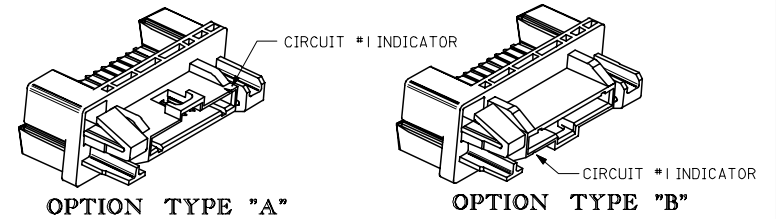


SECTION A-A



SEE NOTE 6.

DATE CODE
SEE NOTE 5

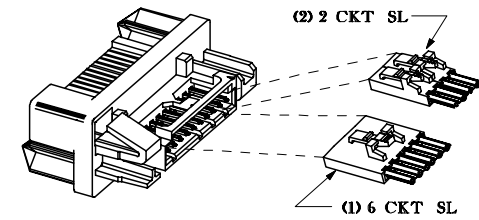


OPTION TYPE "A"

OPTION TYPE "B"

OPTION "A" VS OPTION "B"

OPTION "A" MATED TO OPTION "A": CKT. 1 MATCHES WITH CKT. 1
OPTION "A" MATED TO OPTION "B": CKT. 1 MATCHES WITH CKT. 10
(BOTH OPTIONS "A" AND "B" PICTURED ABOVE ARE OF
STANDARD DRAWER VARIATION - SEE NOTE 9.)



STANDARD VS CUSTOM

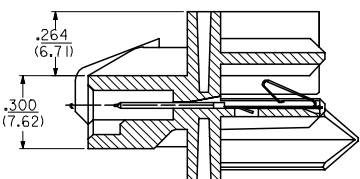
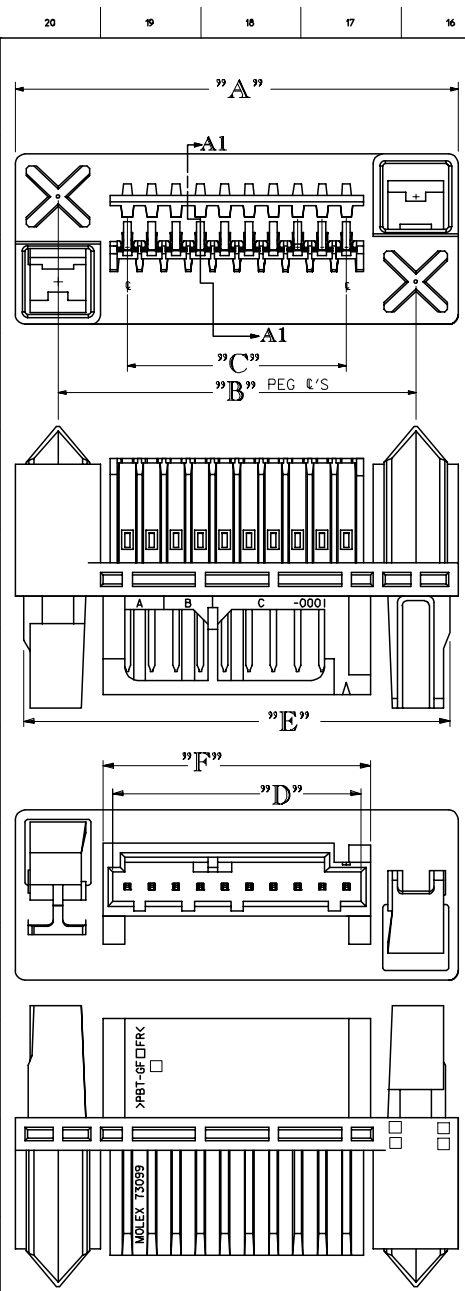
SEE NOTE 8. AND 9. (CUSTOM 10 CKT. PICTURED)

NOTES:

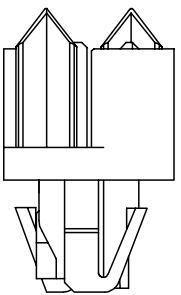
- MATERIAL:
HOUSING: GOLD FILLED POLYESTER UL 94V-0, COLOR BLACK.
TERMINAL: BERYLLIUM COPPER
- PLATING:
.000050 U' (.27 MICRON) MIN. GOLD PLATE ON CANTILEVER AREA, .000015 MIN. GOLD PLATE ON SELECT SL TAIL AREA, NICKEL PLATE OVER-ALL.
- SEE SHEET 4 FOR PART NUMBERS AND TABULATED DIMENSIONS.
- PRODUCT CONFORMS TO PS-73099-*****.
- HOT STAMP DATE CODE IS WEEK, YEAR.
- RECYCLING LOGO TO APPEAR WHERE ROOM IS AVAILABLE.
- SEE SHEET 3 FOR PANEL MOUNTING AND MATING DETAILS.
- 73099-***** CONNECTOR ALSO MATES WITH "SL" SERIES 70066, 70400, AND 70430.
- PRODUCT DESCRIBED AS 'STANDARD' MATES ONLY WITH EQUIVALENT CKT. SIZE CONNECTOR (10 CKT. DRAWER CONNECTOR TO 10 CKT. SL). PRODUCT DESCRIBED AS 'CUSTOM' ALLOWS A PREDETERMINED COMBINATION OF SL CONNECTORS WITH VARYING CIRCUIT SIZES TO BE USED WHEN THE COMBINATION'S TOTAL CIRCUITS ADD UP TO THE DRAWER CONNECTOR'S CIRCUIT SIZE (10 CKT. DRAWER CONNECTOR TO TWO 2 CKT. & ONE 6 CKT. SL).

4	A
3	A
2	A
1	A
SHT REV	

INITIAL RELEASE EC NO. UCP2006-0364 2005/11/12 DRWNSWART CHKD:BBARKER 2005/11/19 APPR:SMILLER 2005/11/19	QUALITY SYMBOLS ▽=0 ▽=0	GENERAL TOLERANCES (UNLESS SPECIFIED)		DIMENSION STYLE IN/MM		SCALE 4:1	DESIGN UNITS INCH	THIRD ANGLE PROJECTION	
		4 PLACES ± --- ± ---	3 PLACES ± --- ± .010	DRAWN BY MIBARRA	DATE 2005/11/23	TITLE HERMAPHRODITIC SL DRAWER CONNECTOR SALES ASSEMBLY			
		2 PLACES ± 0.25 ± .014	1 PLACE ± 0.36 ± ---	CHECKED BY BBARKER	DATE 2005/11/23	MOLEX INCORPORATED			
		ANGULAR ±1/2°	DRAFT WHERE APPLICABLE MUST REMAIN WITHIN DIMENSIONS	APPROVED BY SMILLER	DATE 2005/11/23	MATERIAL NO. SEE TABLE	DOCUMENT NO. SD-73099-001	SHEET NO. 1 OF 4	

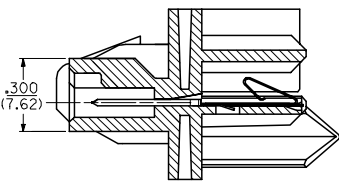
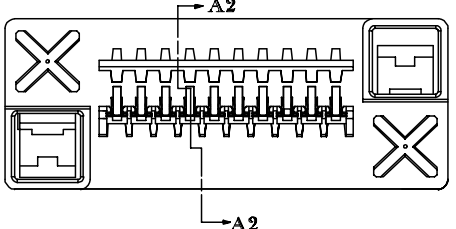


SECTION A1-A1

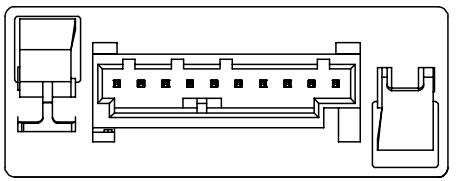
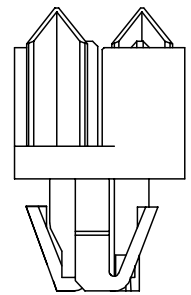
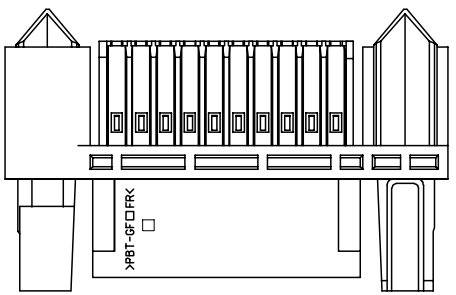


73099-9001

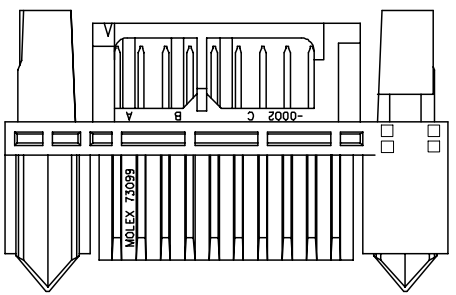
OPTION TYPE "A"



SECTION A2-A2



73099-9002
OPTION TYPE "B"



CUSTOM 10 CKT (OPTION "A" AND "B")

CUSTOM 10 MATES WITH THE FOLLOWING "SL" CIRCUIT SIZE COMBINATIONS:

- 1) 2 CKT., 2CKT., AND 6 CKT.
- 2) 4 CKT. AND 6 CKT.
- 3) 2 CKT. AND 8 CKT.
- 4) 10 CKT.

INITIAL RELEASE EC NO: UCP2006-0364 DRWNSMART 2005/12/12 CHKDBARKER 2005/12/19 APPR: SMILLER 2005/12/19 REV DESCRIPTION	QUALITY SYMBOLS	GENERAL TOLERANCES (UNLESS SPECIFIED)	DIMENSION STYLE	SCALE	DESIGN UNITS	THIRD ANGLE PROJECTION
	$\nabla=0$ $\nabla=0$	4 PLACES ± --- ± --- 3 PLACES ± --- ± .010 2 PLACES ± 0.25 ± .014 1 PLACE ± 0.36 ± --- ANGULAR ±1/2°	IN/MM INCH	DRAWN BY DATE MIBARRA 2005/11/23 CHECKED BY DATE BBARKER 2005/11/23 APPROVED BY DATE SMILLER 2005/11/23	4:1	INCH
DRAFT WHERE APPLICABLE MUST REMAIN WITHIN DIMENSIONS		SEE TABLE	DOCUMENT NO. SD-73099-001		SHEET NO. 2 OF 4	
THIS DRAWING CONTAINS INFORMATION THAT IS PROPRIETARY TO MOLEX INCORPORATED AND SHOULD NOT BE USED WITHOUT WRITTEN PERMISSION						

PANEL DIMENSIONS

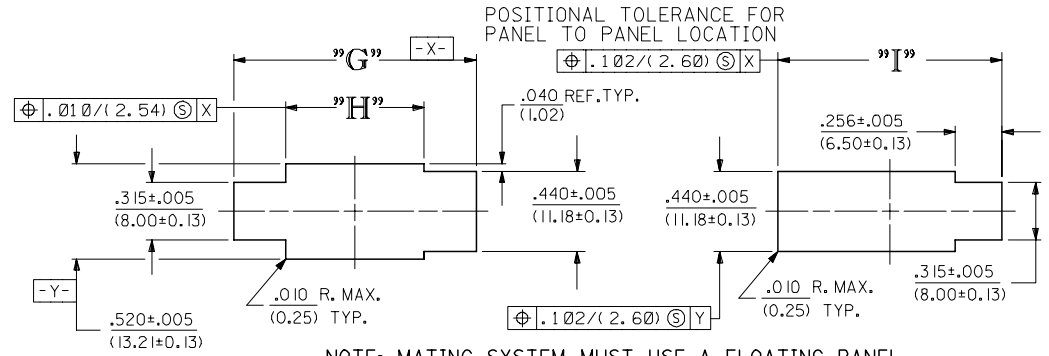
CKT. SIZE	DIM. "G" ± 0.010 (± 0.25)		DIM. "H" ± 0.010 (± 0.25)		DIM. "I" ± 0.010 (± 0.25)	
	INCH	(MM)	INCH	(MM)	INCH	(MM)
04	1.230	(31.24)	.660	(16.76)	1.128	(28.65)
06	1.430	(36.32)	.860	(21.84)	1.328	(33.73)
08	1.630	(41.40)	1.060	(26.92)	1.528	(38.81)
10	1.830	(46.48)	1.260	(32.00)	1.728	(43.89)
12	2.030	(51.56)	1.460	(37.08)	1.928	(48.97)

FLOATING PANEL VIEW

VIEW FROM PUNCH SIDE
(SCALE 3:1)

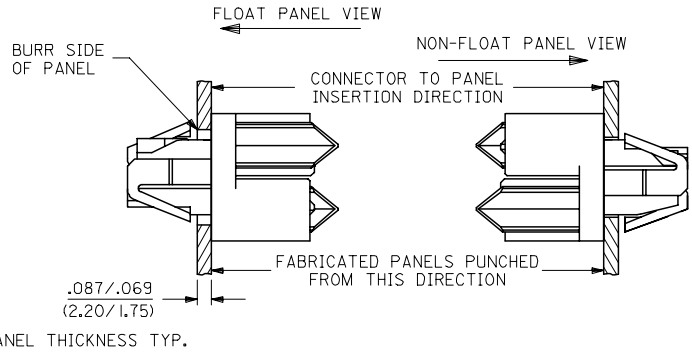
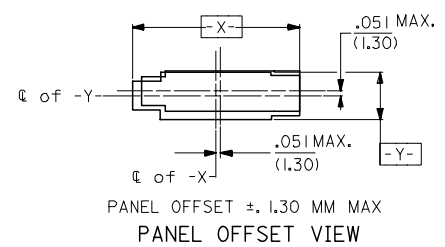
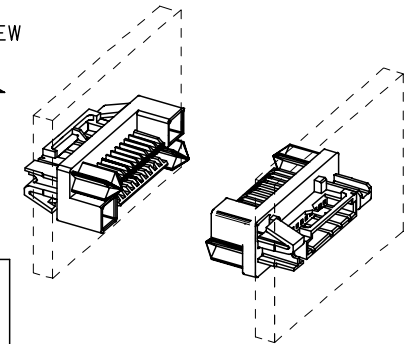
NON-FLOATING PANEL VIEW

VIEW FROM PUNCH SIDE
(SCALE 3:1)

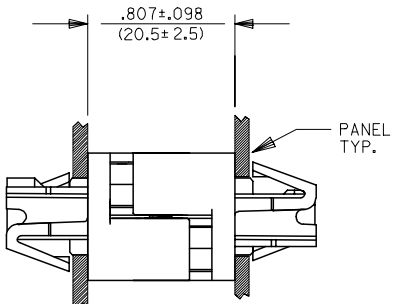


NOTE: MATING SYSTEM MUST USE A FLOATING PANEL IN CONJUNCTION WITH A NON-FLOATING PANEL.

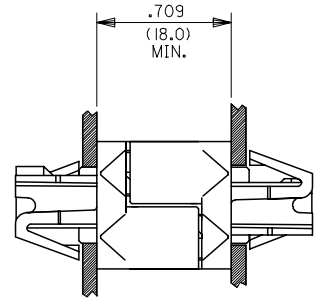
PANEL OFFSET VIEW



OPERATING PANEL CLOSURE DIMENSIONS



FULLY CLOSED CONNECTOR



INITIAL RELEASE EC NO. UCP2006-0364 DRAWNSWART 2005/11/12 CHKD:BBARKER 2005/12/19 APPR:SMILLER 2005/12/19	QUALITY SYMBOLS $\nabla=0$ $\nabla=0$	GENERAL TOLERANCES (UNLESS SPECIFIED)		DIMENSION STYLE		SCALE	DESIGN UNITS	THIRD ANGLE PROJECTION
		mm	INCH	IN/MM		---	INCH	
		4 PLACES $\pm .010$	3 PLACES $\pm .014$	DRAWN BY	DATE	TITLE		
		2 PLACES ± 0.25	1 PLACE ± 0.36	BBARKER	2005/11/23	HERMAPHRODITIC SL DRAWER CONNECTOR SALES ASSEMBLY		
ANGULAR $\pm 1/2^\circ$		SMILLER	2005/11/23	APPROVED BY		MOLEX INCORPORATED		
DRAFT WHERE APPLICABLE MUST REMAIN WITHIN DIMENSIONS		SEE TABLE		MATERIAL NO.		DOCUMENT NO.	SHEET NO.	
		SIZE D		SD-73099-001		3 OF 4		

"STANDARD" DRAWER
PART NUMBERS

ASSEMBLY PART NUMBERS AND
DIMENSIONS BY CIRCUIT SIZE

"CUSTOM" DRAWER*
PART NUMBERS
(SEE NOTE 9., SHEET 1.)

STATUS	PART NUMBER	CKT. SIZE	OPTION TYPE (SEE SHEET 1)	DIM. "A"		DIM. "B"		DIM. "C"		DIM. "D"		DIM. "E"		DIM. "F"		STATUS	PART NUMBER	CKT. SIZE	OPTION TYPE (SEE SHEET 1)
				INCH	(MM)	INCH	(MM)	INCH	(MM)	INCH	(MM)	INCH	(MM)	INCH	(MM)				
X	SAME AS CUSTOM 04	04	A	1.220	(30.99)	.870	(22.10)	.300	(7.62)	.420	(10.67)	1.113	(28.27)	.500	(12.70)	X		04	A
X		04	B	1.220	(30.99)	.870	(22.10)	.300	(7.62)	.420	(10.67)	1.113	(28.27)	.500	(12.70)	X		04	B
X		06	A	1.420	(35.56)	1.070	(27.18)	.500	(12.70)	.620	(15.75)	1.313	(33.35)	.700	(17.78)	X		06	A
X		06	B	1.420	(35.56)	1.070	(27.18)	.500	(12.70)	.620	(15.75)	1.313	(33.35)	.700	(17.78)	X		06	B
X		08	A	1.620	(41.15)	1.270	(32.26)	.700	(17.78)	.820	(20.83)	1.513	(38.43)	.900	(22.86)	X		08	A
X		08	B	1.620	(41.15)	1.270	(32.26)	.700	(17.78)	.820	(20.83)	1.513	(38.43)	.900	(22.86)	X		08	B
X		10	A	1.820	(46.23)	1.470	(37.74)	.900	(22.86)	1.020	(25.91)	1.713	(43.51)	1.100	(27.94)	X		10	A
X		10	B	1.820	(46.23)	1.470	(37.74)	.900	(22.86)	1.020	(25.91)	1.713	(43.51)	1.100	(27.94)	X		10	B
X	73099-9221	12	A	2.020	(51.31)	1.670	(42.42)	1.100	(27.94)	1.220	(30.99)	1.913	(48.59)	1.300	(33.02)	X		12	A
X		12	B	2.020	(51.31)	1.670	(42.42)	1.100	(27.94)	1.220	(30.99)	1.913	(48.59)	1.300	(33.02)	X		12	B

X STATUS: PART NUMBERS WITH AN *X* IN THE STATUS COLUMN OR CIRCUIT SIZES WITH NO ASSOCIATED PART NUMBER DO NOT HAVE EXISTING TOOLING OR PRODUCTION CAPACITY.

* PREDETERMINED "SL" MATING ASSEMBLIES FOR "CUSTOM" ID ARE LISTED ON SHEET 2. COMBINATIONS OF "SL" MATING CIRCUIT SIZES FOR OTHER "CUSTOM" DRAWER ASSEMBLIES HAVE TO BE DETERMINED.

INITIAL RELEASE FCC NO. UCP2006-0364 DRAWNSMART 2005/12/12 CHKD:BBARKER 2005/12/19 APPR:SMILLER 2005/12/19 REVISIONS	QUALITY SYMBOLS	GENERAL TOLERANCES (UNLESS SPECIFIED)	DIMENSION STYLE	SCALE	DESIGN UNITS	THIRD ANGLE PROJECTION
	$\nabla=0$ $\nabla=0$	mm INCH 4 PLACES ± --- ± --- 3 PLACES ± --- ± .010 2 PLACES ± 0.25 ± .014 1 PLACE ± 0.36 ± --- ANGULAR ±1/2°	IN/MM DRAWN BY DATE MIBARRA 2005/11/23 CHECKED BY DATE BBARKER 2005/11/23 APPROVED BY DATE SMILLER 2005/11/23	---	INCH	TITLE HERMAPHRODITIC SL DRAWER CONNECTOR SALES ASSEMBLY
		DRAFT WHERE APPLICABLE MUST REMAIN WITHIN DIMENSIONS	MATERIAL NO. SEE TABLE SIZE C	MOLEX INCORPORATED DOCUMENT NO. SD-73099-001	SHEET NO. 4 OF 4	
			THIS DRAWING CONTAINS INFORMATION THAT IS PROPRIETARY TO MOLEX INCORPORATED AND SHOULD NOT BE USED WITHOUT WRITTEN PERMISSION			



Компания «ЭлектроПласт» предлагает заключение долгосрочных отношений при поставках импортных электронных компонентов на взаимовыгодных условиях!

Наши преимущества:

- Оперативные поставки широкого спектра электронных компонентов отечественного и импортного производства напрямую от производителей и с крупнейших мировых складов;
- Поставка более 17-ти миллионов наименований электронных компонентов;
- Поставка сложных, дефицитных, либо снятых с производства позиций;
- Оперативные сроки поставки под заказ (от 5 рабочих дней);
- Экспресс доставка в любую точку России;
- Техническая поддержка проекта, помощь в подборе аналогов, поставка прототипов;
- Система менеджмента качества сертифицирована по Международному стандарту ISO 9001;
- Лицензия ФСБ на осуществление работ с использованием сведений, составляющих государственную тайну;
- Поставка специализированных компонентов (Xilinx, Altera, Analog Devices, Intersil, Interpoint, Microsemi, Aeroflex, Peregrine, Syfer, Eurofarad, Texas Instrument, Miteq, Cobham, E2V, MA-COM, Hittite, Mini-Circuits, General Dynamics и др.);

Помимо этого, одним из направлений компании «ЭлектроПласт» является направление «Источники питания». Мы предлагаем Вам помощь Конструкторского отдела:

- Подбор оптимального решения, техническое обоснование при выборе компонента;
- Подбор аналогов;
- Консультации по применению компонента;
- Поставка образцов и прототипов;
- Техническая поддержка проекта;
- Защита от снятия компонента с производства.



Как с нами связаться

Телефон: 8 (812) 309 58 32 (многоканальный)

Факс: 8 (812) 320-02-42

Электронная почта: org@eplast1.ru

Адрес: 198099, г. Санкт-Петербург, ул. Калинина, дом 2, корпус 4, литера А.