

2, 5 and 8-Channel Proximity/Touch Controller Data Sheet

Description

The Microchip mTouch® MTCH102/5/8 Proximity/Touch Controller with simple digital output provides an easy way to add proximity or touch detection to any application. This device family implements capacitive sensors with active guarding capability. The sensitivity and power mode can be configured through the MTSA and MTPM pins. The MTCH102/5/8 devices also use an advanced optimization algorithm to actively suppress noise from the signal to achieve reliable proximity/touch detection.

Features

- Capacitive Proximity and Touch Detection System:
 - High Signal to Noise Ratio (SNR)
 - Adjustable sensitivity with compensation for different sensor sizes
 - Multi-stage active noise suppression filters
 - Automatic environmental compensation
 - Support wide range of sensor shapes and sizes
- Simple I/O Interface with Existing System
- Smart Scan Scheduling
- Threshold Hysteresis

- Flexible Low-Power mode
- Brown-Out Protection
- Operating Voltage Range:
 - 2.05V to 3.6V
- Operating Temperature:
 - 40°C to +85°C

Typical Application

- Light Switch
- Portable Device Enabler
- White Goods and Appliance
- Office Equipment and Toys
- Display and Keypad Back-lighting Activation

TABLE 1: MTCH10X FAMILY TYPES

| Device | Data Sheet Index | Sensor Input | Active Guard | Digital Output |
|---------|------------------|------------------|------------------|----------------|
| MTCH101 | (A) | 1 | N | 1 |
| MTCH102 | (B) | 2 ⁽¹⁾ | Y ⁽¹⁾ | 2 |
| MTCH105 | (B) | 5 ⁽¹⁾ | Y ⁽¹⁾ | 5 |
| MTCH108 | (B) | 8 ⁽¹⁾ | Y ⁽¹⁾ | 8 |

Note 1: One of the sensor inputs can be configured as active guard output.

Data Sheet Index: (Unshaded devices are described in this document.)

- A:** DS-40001664 [MTCH101 Single-Channel Proximity Detector](#)
- B:** Future Release [MTCH102/105/108 Dual-Channel Proximity/Touch Controller](#)

Note: For other small form-factor package availability and marking information, please visit <http://www.microchip.com/packaging> or contact your local sales office.

TABLE 2: PACKAGES

| Packages | MSOP | TSSOP | SSOP | UDFN | QFN | UQFN |
|----------|------|-------|------|------|-----|------|
| MTCH102 | X | — | — | X | — | — |
| MTCH105 | — | X | — | — | X | — |
| MTCH108 | — | — | X | — | — | X |

MTCH102/5/8

PIN DIAGRAMS

FIGURE 1: 8-LEAD MSOP, UDFN



FIGURE 4: 20-LEAD SSOP



FIGURE 2: 14-LEAD TSSOP



FIGURE 5: 20-LEAD UQFN



FIGURE 3: 16-LEAD QFN



PIN ALLOCATION TABLES

TABLE 3: 8-PIN DESCRIPTION (MTCH102)

| Name | 8-Lead MSOP and UDFN | Description |
|------------|----------------------|-----------------------------------------------|
| VDD | 1 | Power Supply Input |
| MTI0 | 2 | Proximity/Touch Sensor 0 Input |
| MTI1/Guard | 3 | Proximity/Touch Sensor 1 Input/Active Guard |
| MTPM | 4 | Low-Power Mode Select |
| MTSA | 5 | Sensitivity Adjust Input |
| MTO1/GC | 6 | MTI1 Detect Output (Active-Low)/Guard Control |
| MTO0 | 7 | MTI0 Detect Output (Active-Low) |
| Vss | 8 | Ground |

TABLE 4: 14-/16-PIN DESCRIPTION (MTCH105)

| Name | 14-Lead TSSOP | 16-Lead QFN | Description |
|------------|---------------|-------------|------------------------------------------------|
| VDD | 1 | 16 | Power Supply Input |
| MTI0 | 2 | 1 | Proximity/Touch Sensor 0 Input |
| MTI1 | 3 | 2 | Proximity/Touch Sensor 1 Input |
| MTPM | 4 | 3 | Low-Power Mode Select |
| MTI2/Guard | 5 | 4 | Proximity/Touch Sensor 2 Input/Active Guard |
| MTI3 | 6 | 5 | Proximity/Touch Sensor 3 Input |
| MTI4 | 7 | 6 | Proximity/Touch Sensor 4 Input |
| MTO4 | 8 | 7 | MTI4 Detect Output (Active-Low) |
| MTO3 | 9 | 8 | MTI3 Detect Output (Active-Low) |
| MTO2/GC | 10 | 9 | MTI2 Detect Output (Active-Low) /Guard Control |
| MTSA | 11 | 10 | Sensitivity Adjust Input |
| MTO1 | 12 | 11 | MTI1 Detect Output (Active-Low) |
| MTO0 | 13 | 12 | MTI0 Detect Output (Active-Low) |
| Vss | 14 | 13 | Ground |

MTCH102/5/8

TABLE 5: 20-PIN DESCRIPTION (MTCH108)

| Name | 20-Lead SSOP | 20-Lead UQFN | Description |
|------------|--------------|--------------|-----------------------------------------------|
| VDD | 1 | 18 | Power Supply Input |
| MTI0 | 2 | 19 | Proximity/Touch Sensor 0 Input |
| MTI1 | 3 | 20 | Proximity/Touch Sensor 1 Input |
| MTPM | 4 | 1 | Low-Power Mode Select |
| MTI2/Guard | 5 | 2 | Proximity/Touch Sensor 2 Input/Active Guard |
| MTI3 | 6 | 3 | Proximity/Touch Sensor 3 Input |
| MTI4 | 7 | 4 | Proximity/Touch Sensor 4 Input |
| MTI5 | 8 | 5 | Proximity/Touch Sensor 5 Input |
| MTI6 | 9 | 6 | Proximity/Touch Sensor 6 Input |
| MTI7 | 10 | 7 | Proximity/Touch Sensor 7 Input |
| MTO7 | 11 | 8 | MTI7 Detect Output (Active-Low) |
| MTO6 | 12 | 9 | MTI6 Detect Output (Active-Low) |
| MTO5 | 13 | 10 | MTI5 Detect Output (Active-Low) |
| MTO4 | 14 | 11 | MTI4 Detect Output (Active-Low) |
| MTO3 | 15 | 12 | MTI3 Detect Output (Active-Low) |
| MTO2/GC | 16 | 13 | MTI2 Detect Output (Active-Low)/Guard Control |
| MTSA | 17 | 14 | Sensitivity Adjust Input |
| MTO1 | 18 | 15 | MTI1 Detect Output (Active-Low) |
| MTO0 | 19 | 16 | MTI0 Detect Output (Active-Low) |
| Vss | 20 | 17 | Ground |

Table of Contents

| | |
|--------------------------------------------|----|
| 1.0 Device Overview | 6 |
| 2.0 Typical Circuit..... | 8 |
| 3.0 Sensitivity Adjustment | 9 |
| 4.0 Power Mode and Timeout Reset..... | 10 |
| 5.0 Electrical Specifications..... | 11 |
| 6.0 Packaging Information..... | 16 |
| Appendix | 35 |
| The Microchip Web Site | 36 |
| Product Identification System | 37 |
| Customer Change Notification Service | 38 |
| Customer Support..... | 39 |

TO OUR VALUED CUSTOMERS

It is our intention to provide our valued customers with the best documentation possible to ensure successful use of your Microchip products. To this end, we will continue to improve our publications to better suit your needs. Our publications will be refined and enhanced as new volumes and updates are introduced.

If you have any questions or comments regarding this publication, please contact the Marketing Communications Department via E-mail at docerrors@microchip.com. We welcome your feedback.

Most Current Data Sheet

To obtain the most up-to-date version of this data sheet, please register at our Worldwide Web site at:

<http://www.microchip.com>

You can determine the version of a data sheet by examining its literature number found on the bottom outside corner of any page. The last character of the literature number is the version number, (e.g., DS30000000A is version A of document DS30000000).

Errata

An errata sheet, describing minor operational differences from the data sheet and recommended workarounds, may exist for current devices. As device/documentation issues become known to us, we will publish an errata sheet. The errata will specify the revision of silicon and revision of document to which it applies.

To determine if an errata sheet exists for a particular device, please check with one of the following:

- Microchip's Worldwide Web site; <http://www.microchip.com>
- Your local Microchip sales office (see last page)

When contacting a sales office, please specify which device, revision of silicon and data sheet (include literature number) you are using.

Customer Notification System

Register on our web site at www.microchip.com to receive the most current information on all of our products.

MTCH102/5/8

1.0 DEVICE OVERVIEW

The MTCH102/5/8 provides an easy way to add proximity or touch detection to any application with human machine interface. These devices can integrate up to two, five and eight capacitive touch/proximity detection sensors which can work through plastic, wood or even metal front panels with Microchip's proprietary Metal over Capacitive technology. It also supports a wide range of conductive materials as sensors, like copper pad on PCB, silver ink, PEDOT or carbon printing on plastic film, Indium Tin Oxide (ITO) pad, wire/cable, etc.

The MTCH102/5/8 uses a sophisticated scan optimization algorithm to actively attenuate noise from the signal. The sensitivity adjustment and flexible power mode allow users to easily configure the device

at run-time. An active-low output will communicate the state of the sensors to a host/master MCU or drive an indication LED.

FIGURE 1-1: MTCH102/5/8 BLOCK DIAGRAM



1.1 Pin Description

MTIx

Connect the sensor to this input. An additional resistor of at least 4.7 k Ω is recommended for best noise immunity. Sensors work best when the base capacitance is minimized. This will maximize the percentage change in capacitance when a finger is added to the circuit. The recommended sensor capacitance is 5pF to 50pF.

MTOx

The MTOx pin is an open-drain output which reports the touch/proximity state of the corresponding MTIx input. A pull-up resistor is required on each output. The MTOx will pull the line low when a touch/proximity event happens and release the line when the touch/proximity is released.

Guard

The Guard function is multiplexed with one of the MTIx pins. If the GC pin is floating, the Guard pin will function as a standard MTIx sensor. If the GC pin is grounded, the Guard pin will output a signal in-phase with the other sensors being scanned. This has several advantages, such as providing a mutual capacitance coupling to the sensors to increase sensitivity, and providing a low-impedance trace near the sensor to absorb noise. The active guard layout should encircle the sensor and its traces so that it will shield the sensor. For more information about guarding and layout guidelines, see application notes "mTouch[®] Sensing Solution Acquisition Methods Capacitive Voltage Divider" (AN1478) and "Techniques for Robust Touch Sensing Design" (AN1334).

GC

The GC (Guard Control) is multiplexed with one of the MTOx pins. By grounding the GC pin, the active guard signal will be enabled on the Guard pin.

MTSA

The MTSA pin is an input that determines the sensitivity of touch/proximity sensors. Applying VDD will give the lowest sensitivity while applying VSS will give the highest.

MTPM

The MTPM pin is an input that determines the power mode of MTCH10X devices. By connecting VSS to the MTPM pin, the device will operate in Low-Power mode. See [Figure 5-1](#) for current consumption and response time specifications. When applying VDD on the MTCH10X MTPM pin, the device will scan the sensors at the fastest possible sampling rate. Host-controlled sampling rates are available using the Smart Scan Scheduling feature described in [Section 4.0, Power Mode and Timeout Reset](#).

MTCH102/5/8

2.0 TYPICAL CIRCUIT

The MTCH102 is used as an example to show two typical circuits for MTCH10X devices in the following figures. For more information about capacitive sensor layout guidance, refer to “Techniques for Robust Touch Sensing Design” (AN1334).

FIGURE 2-1: TWO SENSORS AND NO ACTIVE GUARD CIRCUIT

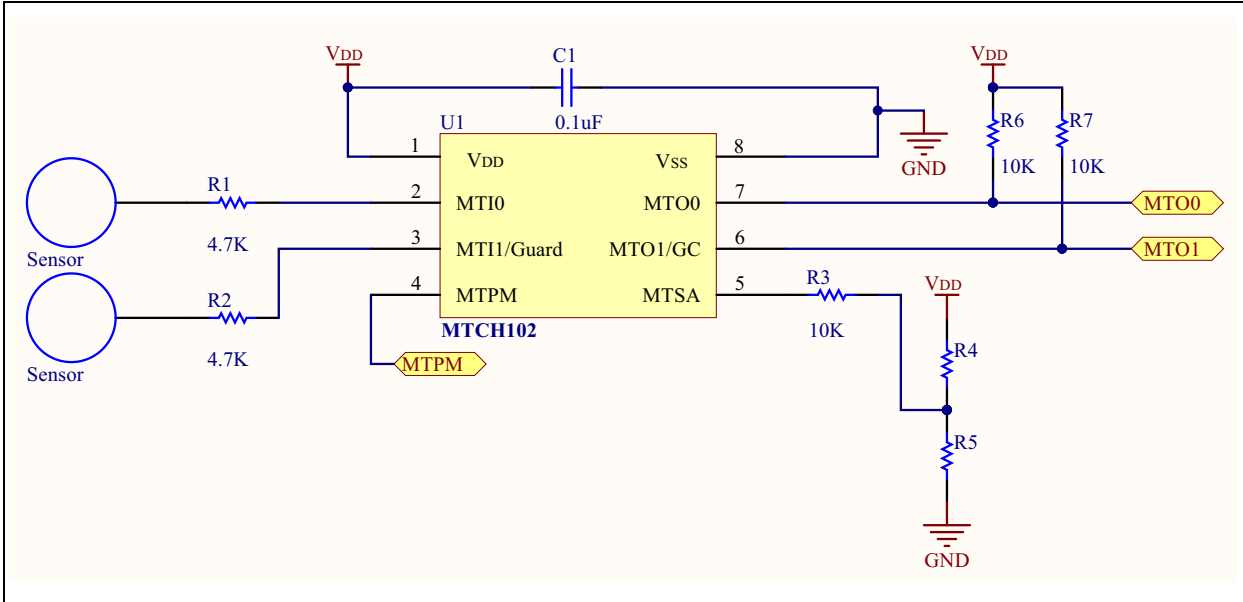
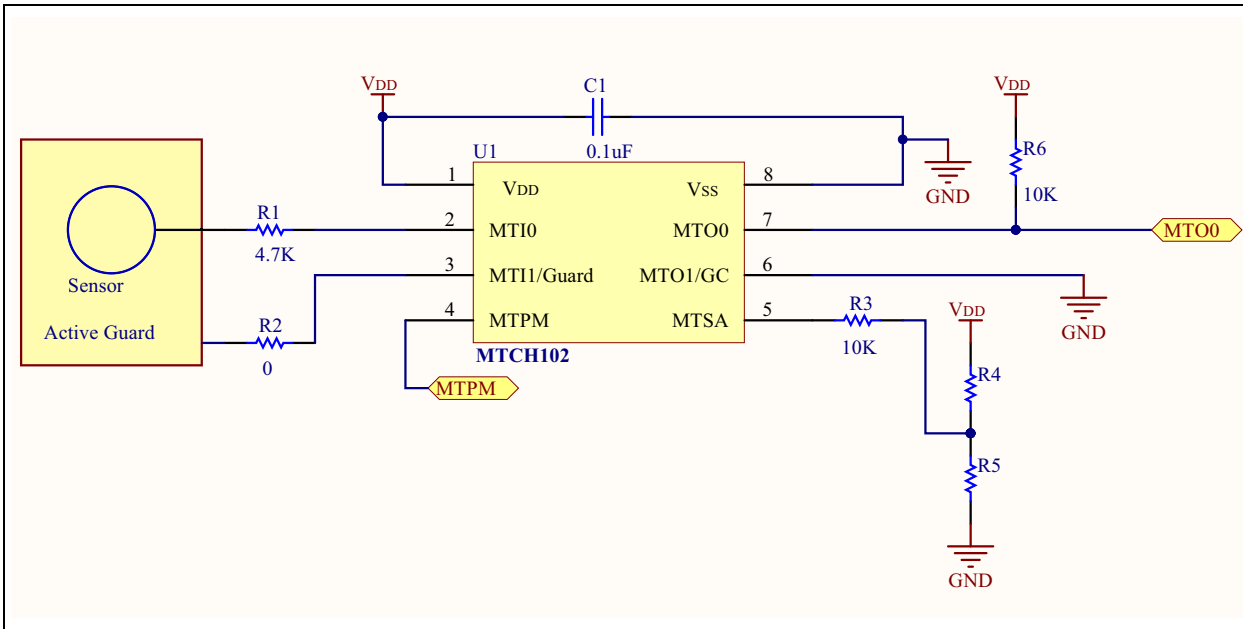


FIGURE 2-2: ONE SENSOR WITH ACTIVE GUARD CIRCUIT



3.0 SENSITIVITY ADJUSTMENT

The sensitivity of the sensor inputs determines how far it can respond to proximity or how much capacitance is required to activate a touch. The voltage on the MTCH102/5/8 MTSA pin will determine the sensitivity. VDD voltage will give the lowest sensitivity, while VSS voltage will give the highest. The device will sample the voltage on the MTSA pin after every 32nd scan, so it does not only support setting a fixed sensitivity by a resistor ladder, but it also allows adjusting the sensitivity dynamically while the device is running. A Digital-to-Analog Converter (DAC) controlled by the host or a hardware potentiometer can be used to adjust the sensitivity. Refer to the typical circuit in [Figure 3-1](#) to [Figure 3-4](#).

FIGURE 3-1: FIXED SENSITIVITY USING RESISTOR LADDER



FIGURE 3-2: HARDWARE SENSITIVITY ADJUST USING POTENTIOMETER



FIGURE 3-3: SENSITIVITY CONTROLLED BY HOST USING DAC



FIGURE 3-4: SENSITIVITY CONTROLLED BY HOST USING PWM



4.0 POWER MODE AND TIMEOUT RESET

The MTCH102/5/8 has three power mode options to meet the needs of various applications: Normal mode, Low-Power mode and Smart-Scheduling mode. The state of the MTPM pin determines the power mode.

4.1 Normal Mode

The device will run in Normal mode if the MTPM pin is connected to VDD. In this mode, the MTCH102/5/8 will scan continuously; so it will achieve the shortest response time among the three power modes, but also the power consumption is the highest.

4.2 Low-Power Mode

The device will run in Low-Power mode if the MTPM pin is connected to Vss. The device will go to Sleep for 256 ms after each round of sensor scans; so it will achieve the lowest power consumption, but it will have the longest response time among the three power modes, as shown in [Figure 4-1](#).

FIGURE 4-1: LOW-POWER MODE



4.3 Smart-Scheduling Mode

The MTCH102/5/8 also implements a Smart-Scheduling mode that allows a host to set the exact sampling rate by pulsing the MTPM pin, as shown in [Figure 4-2](#). The minimum recognizable pulse width is 25 ns. If the MTPM pin is toggled during a scan cycle, the device will skip the next Sleep and immediately start a new set of scans.

FIGURE 4-2: SMART-SCHEDULING MODE



4.4 Timeout Reset

The device keeps track of the activated state duration for each MTIx input channel. The sensor state will be reset once the activated state duration exceeds the timeout duration, and the associated MTOx pin will release the line.

For the Normal and Low-Power modes, the timeout duration is 10 seconds. For the Smart-Scheduling mode, the timeout duration is 400 multiplied by the scan interval.

5.0 ELECTRICAL SPECIFICATIONS

Absolute Maximum Ratings^(†)

| | |
|---------------------------------------------------------------------------------------------------|-----------------------------------|
| Ambient temperature under bias | -40°C to +125°C |
| Storage temperature | -65°C to +150°C |
| Voltage on pins with respect to V _{SS} | |
| on V _{DD} pin | -0.3V to +4.0V |
| on all other pins | -0.3V to (V _{DD} + 0.3V) |
| Total power dissipation ⁽¹⁾ | 800 mW |
| Maximum current | |
| out of V _{SS} pin | |
| -40°C ≤ T _A ≤ +85°C for industrial | 85 mA |
| into V _{DD} pin | |
| -40°C ≤ T _A ≤ +85°C for industrial | 80 mA |
| Clamp current, I _K (V _{PIN} < 0 or V _{PIN} > V _{DD}) | ± 20 mA |
| Maximum output current | |
| sunk by any I/O pin | 25 mA |
| sourced by any I/O pin | 25 mA |

Note 1: Power dissipation is calculated as follows: $P_{DIS} = V_{DD} \times \{I_{DD} - \sum I_{OH}\} + \sum \{(V_{DD} - V_{OH}) \times I_{OH}\} + \sum \{V_{OL} \times I_{OL}\}$.

† **NOTICE:** Stresses above those listed under “Absolute Maximum Ratings” may cause permanent damage to the device. This is a stress rating only and functional operation of the device at those or any other conditions above those indicated in the operation listings of this specification is not implied. Exposure to maximum rating conditions for extended periods may affect device reliability.

5.1 DC Characteristics: MTCH102/5/8

| MTCH102/5/8 | | | Standard Operating Conditions (unless otherwise stated) | | | | |
|-------------|---------------------|--------------------------------------------------------------------|---------------------------------------------------------------------|-------|------|-------|----------------------|
| | | | Operating temperature -40°C ≤ T _A ≤ +85°C for industrial | | | | |
| Param. No. | Sym. | Characteristic | Min. | Typ.† | Max. | Units | Conditions |
| D001 | V _{DD} | Supply Voltage | 2.05 | — | 3.6 | V | |
| D002* | V _{DR} | RAM Data Retention Voltage ⁽¹⁾ | 1.5 | — | — | V | Device in Sleep mode |
| | V _{POR} * | Power-on Reset Release Voltage | — | 1.6 | — | V | |
| | V _{PORR} * | Power-on Reset Rearm Voltage | — | 0.8 | — | V | Device in Sleep mode |
| D004* | ΔV _{DD} | V _{DD} Rise Rate to ensure internal Power-on Reset signal | 0.05 | — | — | V/ms | |

* These parameters are characterized but not tested.

† Data in “Typ.” column is at 3.0V, 25°C unless otherwise stated. These parameters are for design guidance only and are not tested.

Note 1: This is the limit to which V_{DD} can be lowered in Sleep mode without losing RAM data.

FIGURE 5-1: MTCH10X FAMILY – POWER VS RESPONSE TIME



FIGURE 5-2: NPOR AND POR REARM WITH SLOW RISING VDD



5.2 DC Characteristics: MTCH102/5/8-I/E

| DC CHARACTERISTICS | | Standard Operating Conditions (unless otherwise stated) Operating temperature: $-40^{\circ}\text{C} \leq T_A \leq +85^{\circ}\text{C}$ for industrial | | | | | |
|--------------------|-----------------|----------------------------------------------------------------------------------------------------------------------------------------------------------|---------------------|-------|----------------------|-------|------------------------------------------------------------------------------------------------------------------|
| Param. No. | Sym. | Characteristic | Min. | Typ.† | Max. | Units | Conditions |
| D030A | V _{IL} | Input Low Voltage | | | | | |
| | | I/O PORT: with TTL buffer | — | — | 0.15 V _{DD} | V | $1.8\text{V} \leq V_{DD} \leq 4.5\text{V}$ |
| D040A | V _{IH} | Input High Voltage | | | | | |
| | | I/O ports: with TTL buffer | $0.25 V_{DD} + 0.8$ | — | — | V | $1.8\text{V} \leq V_{DD} \leq 4.5\text{V}$ |
| D060 | I _{IL} | Input Leakage Current⁽¹⁾ | | | | | |
| | | I/O ports | — | ± 5 | ± 125 | nA | $V_{SS} \leq V_{PIN} \leq V_{DD}$, Pin at high-impedance at 85°C to 125°C |
| D080 | V _{OL} | Output Low Voltage⁽²⁾ | | | | | |
| | | I/O ports | — | — | 0.6 | V | $I_{OL} = 6\text{ mA}$, $V_{DD} = 3.3\text{V}$ $I_{OL} = 1.8\text{ mA}$, $V_{DD} = 1.8\text{V}$ |
| D090 | V _{OH} | Output High Voltage⁽²⁾ | | | | | |
| | | I/O ports | $V_{DD} - 0.7$ | — | — | V | $I_{OH} = 3\text{ mA}$, $V_{DD} = 3.3\text{V}$ $I_{OH} = 1\text{ mA}$, $V_{DD} = 1.8\text{V}$ |
| D101A* | C _{IO} | Capacitive Loading Specs on Output Pins | | | | | |
| | | All I/O pins | — | — | 50 | pF | |

* These parameters are characterized but not tested.

† Data in "Typ." column is at 3.0V, 25°C unless otherwise stated. These parameters are for design guidance only and are not tested.

Note 1: Negative current is defined as current sourced by the pin.

Note 2: Including OSC2 in CLKOUT mode.

FIGURE 5-3: BROWN-OUT RESET TIMING AND CHARACTERISTICS

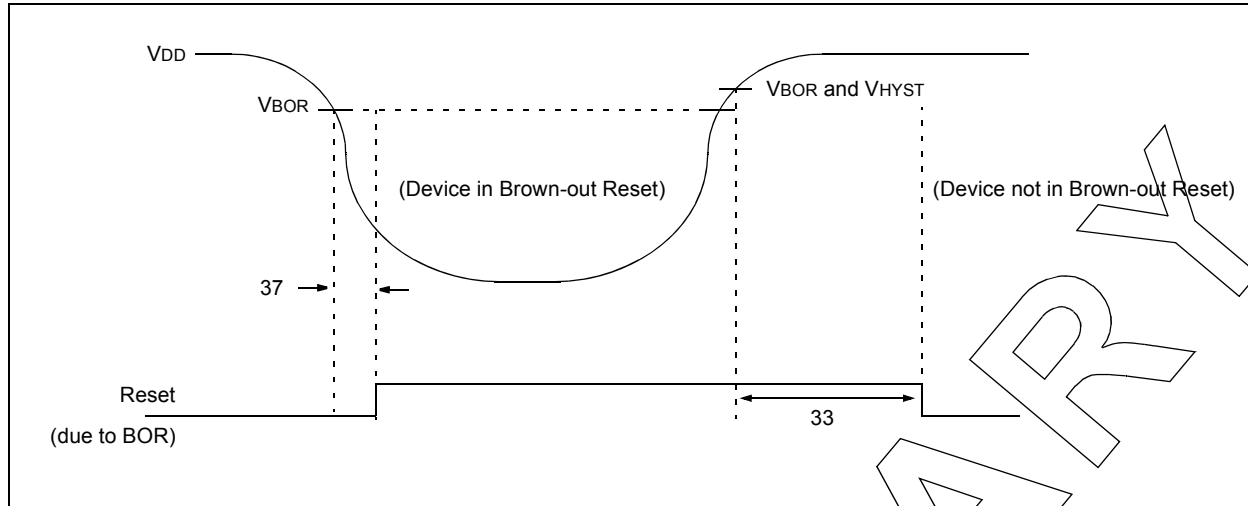


TABLE 5-1: OSCILLATOR START-UP TIMER, POWER-UP TIMER AND BROWN-OUT RESET PARAMETERS

| Standard Operating Conditions (unless otherwise stated) | | | | | | | |
|--------------------------------------------------------------------------------|--------|-----------------------------------------------------------|------|-------|------|---------------|------------------------------------------------|
| Operating Temperature $-40^{\circ}\text{C} \leq T_A \leq +125^{\circ}\text{C}$ | | | | | | | |
| Param. No. | Sym. | Characteristic | Min. | Typ.† | Max. | Units | Conditions |
| 33* | TPWRT | Power-up Timer Period | 40 | 65 | 140 | ms | |
| 34* | TIOZ | I/O High-impedance from RESET Low or Watchdog Timer Reset | — | — | 20 | μs | |
| 35 | VBOR | Brown-out Reset Voltage | 1.80 | 1.9 | 2.05 | V | BORV = 1.9V |
| 37* | VHYST | Brown-out Reset Hysteresis | 0 | 25 | 50 | mV | -40°C to $+85^{\circ}\text{C}$ |
| 38* | TBORDC | Brown-out Reset DC Response Time | 0 | 1 | 40 | μs | $V_{DD} \leq V_{BOR}$ |

* These parameters are characterized but not tested.

† Data in "Typ." column is at 3.0V, 25°C unless otherwise stated. These parameters are for design guidance only and are not tested.

NOTES:

PRELIMINARY

MTCH102/5/8

6.0 PACKAGING INFORMATION

6.1 Package Marking Information

8-Lead UDFN (2x3x0.5 mm)



Example



8-Lead MSOP (3x3 mm)



Example



14-Lead TSSOP (4.4 mm)



Example



| | | |
|----------------|--------|-------------------------------------------------------------------------------------------------------------------|
| Legend: | XX...X | Customer-specific information |
| | Y | Year code (last digit of calendar year) |
| | YY | Year code (last 2 digits of calendar year) |
| | WW | Week code (week of January 1 is week '01') |
| | NNN | Alphanumeric traceability code |
| | (e3) | Pb-free JEDEC® designator for Matte Tin (Sn) |
| | * | This package is Pb-free. The Pb-free JEDEC® designator (e3) can be found on the outer packaging for this package. |

Note: In the event the full Microchip part number cannot be marked on one line, it will be carried over to the next line, thus limiting the number of available characters for customer-specific information.

Package Marking Information (Continued)

16-Lead QFN (4x4x0.9 mm)

Example



20-Lead SSOP (5.30 mm)

Example



20-Lead UQFN (4x4x0.9 mm)

Example



| | | |
|----------------|--------|-------------------------------------------------------------------------------------------------------------------|
| Legend: | XX...X | Customer-specific information |
| | Y | Year code (last digit of calendar year) |
| | YY | Year code (last 2 digits of calendar year) |
| | WW | Week code (week of January 1 is week '01') |
| | NNN | Alphanumeric traceability code |
| | (e3) | Pb-free JEDEC® designator for Matte Tin (Sn) |
| | * | This package is Pb-free. The Pb-free JEDEC® designator (e3) can be found on the outer packaging for this package. |

Note: In the event the full Microchip part number cannot be marked on one line, it will be carried over to the next line, thus limiting the number of available characters for customer-specific information.

MTCH102/5/8

6.2 Package Details

The following sections give the technical details of the packages.

8-Lead Ultra Thin Plastic Dual Flat, No Lead Package (RF) - 3x3x0.50 mm Body [UDFN]

Note: For the most current package drawings, please see the Microchip Packaging Specification located at <http://www.microchip.com/packaging>



Microchip Technology Drawing C04-254A Sheet 1 of 2

8-Lead Ultra Thin Plastic Dual Flat, No Lead Package (RF) - 3x3x0.50 mm Body [UDFN]

Note: For the most current package drawings, please see the Microchip Packaging Specification located at <http://www.microchip.com/packaging>



| Units | | MILLIMETERS | | |
|-------------------------|----|-------------|------|------|
| | | MIN | NOM | MAX |
| Dimension Limits | | | | |
| Number of Terminals | N | 8 | | |
| Pitch | e | 0.65 BSC | | |
| Overall Height | A | 0.45 | 0.50 | 0.55 |
| Standoff | A1 | 0.00 | 0.02 | 0.05 |
| Terminal Thickness | A3 | 0.065 REF | | |
| Overall Width | E | 3.00 BSC | | |
| Exposed Pad Width | E2 | 1.40 | 1.50 | 1.60 |
| Overall Length | D | 3.00 BSC | | |
| Exposed Pad Length | D2 | 2.20 | 2.30 | 2.40 |
| Terminal Width | b | 0.25 | 0.30 | 0.35 |
| Terminal Length | L | 0.35 | 0.45 | 0.55 |
| Terminal-to-Exposed-Pad | K | 0.20 | - | - |

Notes:

1. Pin 1 visual index feature may vary, but must be located within the hatched area.
2. Package is saw singulated
3. Dimensioning and tolerancing per ASME Y14.5M

BSC: Basic Dimension. Theoretically exact value shown without tolerances.

REF: Reference Dimension, usually without tolerance, for information purposes only.

Microchip Technology Drawing C04-254A Sheet 2 of 2

MTCH102/5/8

8-Lead Ultra Thin Plastic Dual Flat, No Lead Package (RF) - 3x3x0.50 mm Body [UDFN]

Note: For the most current package drawings, please see the Microchip Packaging Specification located at <http://www.microchip.com/packaging>



RECOMMENDED LAND PATTERN

| Dimension Limits | Units | MILLIMETERS | | |
|---------------------------------|-------|-------------|------|------|
| | | MIN | NOM | MAX |
| Contact Pitch | E | 0.65 BSC | | |
| Optional Center Pad Width | X2 | | | 1.60 |
| Optional Center Pad Length | Y2 | | | 2.40 |
| Contact Pad Spacing | C | | 2.90 | |
| Contact Pad Width (X8) | X1 | | | 0.35 |
| Contact Pad Length (X8) | Y1 | | | 0.85 |
| Contact Pad to Contact Pad (X6) | G1 | 0.20 | | |
| Contact Pad to Center Pad (X8) | G2 | 0.30 | | |

Notes:

1. Dimensioning and tolerancing per ASME Y14.5M

BSC: Basic Dimension. Theoretically exact value shown without tolerances.

Microchip Technology Drawing C04-2254A

8-Lead Plastic Micro Small Outline Package (MS) [MSOP]

Note: For the most current package drawings, please see the Microchip Packaging Specification located at <http://www.microchip.com/packaging>

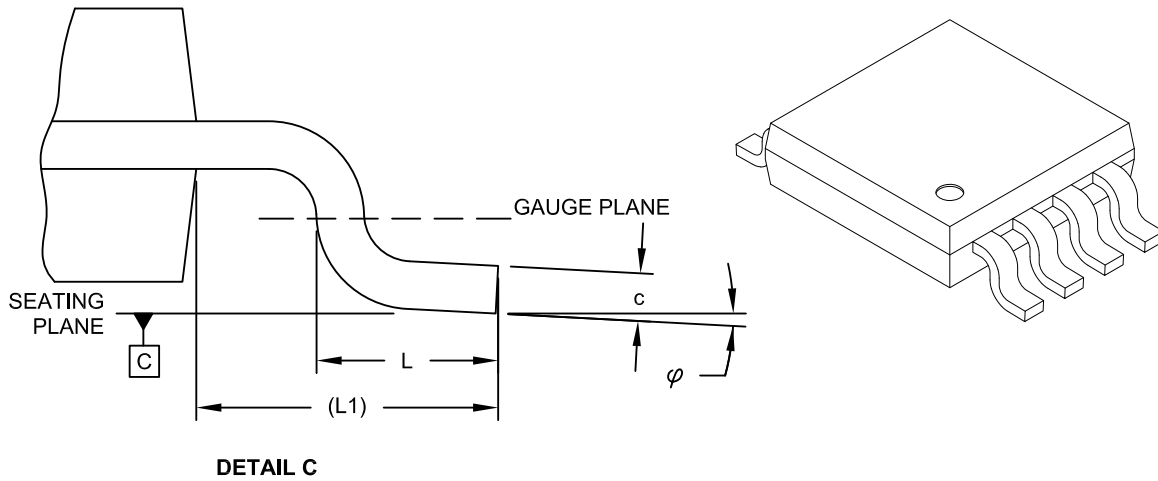


Microchip Technology Drawing C04-111C Sheet 1 of 2

MTCH102/5/8

8-Lead Plastic Micro Small Outline Package (MS) [MSOP]

Note: For the most current package drawings, please see the Microchip Packaging Specification located at <http://www.microchip.com/packaging>



| Dimension Limits | Units | MILLIMETERS | | |
|--------------------------|-------|-------------|------|------|
| | | MIN | NOM | MAX |
| Number of Pins | N | 8 | | |
| Pitch | e | 0.65 BSC | | |
| Overall Height | A | - | - | 1.10 |
| Molded Package Thickness | A2 | 0.75 | 0.85 | 0.95 |
| Standoff | A1 | 0.00 | - | 0.15 |
| Overall Width | E | 4.90 BSC | | |
| Molded Package Width | E1 | 3.00 BSC | | |
| Overall Length | D | 3.00 BSC | | |
| Foot Length | L | 0.40 | 0.60 | 0.80 |
| Footprint | L1 | 0.95 REF | | |
| Foot Angle | φ | 0° | - | 8° |
| Lead Thickness | c | 0.08 | - | 0.23 |
| Lead Width | b | 0.22 | - | 0.40 |

Notes:

- Pin 1 visual index feature may vary, but must be located within the hatched area.
- Dimensions D and E1 do not include mold flash or protrusions. Mold flash or protrusions shall not exceed 0.15mm per side.
- Dimensioning and tolerancing per ASME Y14.5M.

BSC: Basic Dimension. Theoretically exact value shown without tolerances.

REF: Reference Dimension, usually without tolerance, for information purposes only.

Microchip Technology Drawing C04-111C Sheet 2 of 2

8-Lead Plastic Micro Small Outline Package (MS) [MSOP]

Note: For the most current package drawings, please see the Microchip Packaging Specification located at <http://www.microchip.com/packaging>



RECOMMENDED LAND PATTERN

| Dimension Limits | Units | MILLIMETERS | | |
|-------------------------|-------|-------------|------|------|
| | | MIN | NOM | MAX |
| Contact Pitch | E | 0.65 BSC | | |
| Contact Pad Spacing | C | | 4.40 | |
| Overall Width | Z | | | 5.85 |
| Contact Pad Width (X8) | X1 | | | 0.45 |
| Contact Pad Length (X8) | Y1 | | | 1.45 |
| Distance Between Pads | G1 | 2.95 | | |
| Distance Between Pads | GX | 0.20 | | |

Notes:

1. Dimensioning and tolerancing per ASME Y14.5M

BSC: Basic Dimension, Theoretically exact value shown without tolerances.

Microchip Technology Drawing No. C04-2111A

MTCH102/5/8

14-Lead Plastic Thin Shrink Small Outline (ST) - 4.4 mm Body [TSSOP]

Note: For the most current package drawings, please see the Microchip Packaging Specification located at <http://www.microchip.com/packaging>



Microchip Technology Drawing C04-087C Sheet 1 of 2

14-Lead Plastic Thin Shrink Small Outline (ST) - 4.4 mm Body [TSSOP]

Note: For the most current package drawings, please see the Microchip Packaging Specification located at <http://www.microchip.com/packaging>



| Dimension Limits | Units | MILLIMETERS | | |
|--------------------------|-----------|-------------|------|------|
| | | MIN | NOM | MAX |
| Number of Pins | N | 14 | | |
| Pitch | e | 0.65 BSC | | |
| Overall Height | A | - | - | 1.20 |
| Molded Package Thickness | A2 | 0.80 | 1.00 | 1.05 |
| Standoff | A1 | 0.05 | - | 0.15 |
| Overall Width | E | 6.40 BSC | | |
| Molded Package Width | E1 | 4.30 | 4.40 | 4.50 |
| Molded Package Length | D | 4.90 | 5.00 | 5.10 |
| Foot Length | L | 0.45 | 0.60 | 0.75 |
| Footprint | (L1) | 1.00 REF | | |
| Foot Angle | φ | 0° | - | 8° |
| Lead Thickness | c | 0.09 | - | 0.20 |
| Lead Width | b | 0.19 | - | 0.30 |

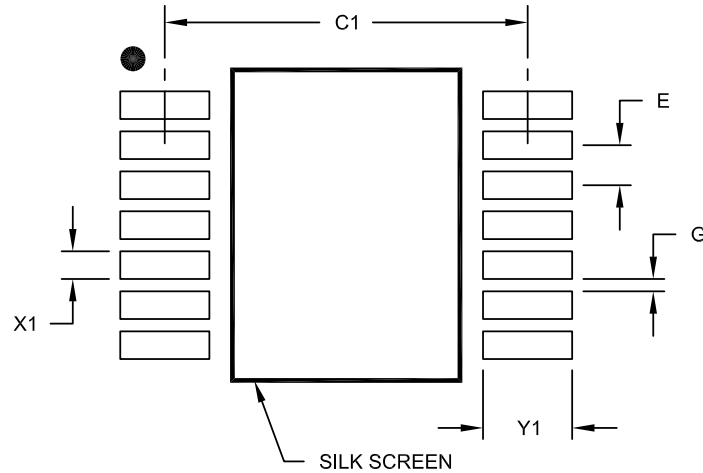
Notes:

- Pin 1 visual index feature may vary, but must be located within the hatched area.
- Dimensions D and E1 do not include mold flash or protrusions. Mold flash or protrusions shall not exceed 0.15mm per side.
- Dimensioning and tolerancing per ASME Y14.5M
 - BSC: Basic Dimension. Theoretically exact value shown without tolerances.
 - REF: Reference Dimension, usually without tolerance, for information purposes only.

Microchip Technology Drawing No. C04-087C Sheet 2 of 2

14-Lead Plastic Thin Shrink Small Outline (ST) - 4.4 mm Body [TSSOP]

Note: For the most current package drawings, please see the Microchip Packaging Specification located at <http://www.microchip.com/packaging>



RECOMMENDED LAND PATTERN

| Dimension Limits | Units | MILLIMETERS | | |
|--------------------------|-------|-------------|------|------|
| | | MIN | NOM | MAX |
| Contact Pitch | E | 0.65 BSC | | |
| Contact Pad Spacing | C1 | | 5.90 | |
| Contact Pad Width (X14) | X1 | | | 0.45 |
| Contact Pad Length (X14) | Y1 | | | 1.45 |
| Distance Between Pads | G | 0.20 | | |

Notes:

1. Dimensioning and tolerancing per ASME Y14.5M

BSC: Basic Dimension. Theoretically exact value shown without tolerances.

Microchip Technology Drawing No. C04-2087A

16-Lead Plastic Quad Flat, No Lead Package (FX) - 4x4x0.9 mm Body [QFN]

Note: For the most current package drawings, please see the Microchip Packaging Specification located at <http://www.microchip.com/packaging>



Microchip Technology Drawing C04-262A Sheet 1 of 2

MTCH102/5/8

16-Lead Plastic Quad Flat, No Lead Package (FX) - 4x4x0.9 mm Body [QFN]

Note: For the most current package drawings, please see the Microchip Packaging Specification located at <http://www.microchip.com/packaging>



| Dimension Limits | Units | MILLIMETERS | | |
|-------------------------|-------|-------------|------|------|
| | | MIN | NOM | MAX |
| Number of Pins | N | 16 | | |
| Pitch | e | 0.65 BSC | | |
| Overall Height | A | 0.85 | 0.90 | 1.00 |
| Standoff | A1 | 0.00 | 0.02 | 0.05 |
| Terminal Thickness | A3 | 0.20 REF | | |
| Overall Width | E | 4.00 BSC | | |
| Exposed Pad Width | E2 | 1.95 | 2.05 | 2.15 |
| Overall Length | D | 4.00 BSC | | |
| Exposed Pad Length | D2 | 1.95 | 2.05 | 2.15 |
| Terminal Width | b | 0.25 | 0.30 | 0.35 |
| Terminal Length | L | 0.45 | 0.55 | 0.65 |
| Pull Back | L1 | — | — | 0.15 |
| Terminal-to-Exposed-Pad | K | 0.20 | — | — |

Notes:

1. Pin 1 visual index feature may vary, but must be located within the hatched area.
2. Package is saw singulated
3. Dimensioning and tolerancing per ASME Y14.5M

BSC: Basic Dimension. Theoretically exact value shown without tolerances.

REF: Reference Dimension, usually without tolerance, for information purposes only.

Microchip Technology Drawing C04-262A Sheet 2 of 2

16-Lead Plastic Quad Flat, No Lead Package (FX) - 4x4x0.9 mm Body [QFN]

Note: For the most current package drawings, please see the Microchip Packaging Specification located at <http://www.microchip.com/packaging>



RECOMMENDED LAND PATTERN

| Dimension Limits | Units | MILLIMETERS | | |
|---------------------------------|-------|-------------|-------|-------|
| | | MIN | NOM | MAX |
| Contact Pitch | E | 0.65 BSC | | |
| Optional Center Pad Width | X2 | | | 2.15 |
| Optional Center Pad Length | Y2 | | | 2.15 |
| Contact Pad Spacing | C1 | | 3.625 | |
| Contact Pad Spacing | C2 | | 3.625 | |
| Contact Pad Width (X16) | X1 | | | 0.30 |
| Contact Pad Length (X16) | Y1 | | | 0.725 |
| Contact Pad to Center Pad (X16) | G1 | 0.20 | | |

Notes:

1. Dimensioning and tolerancing per ASME Y14.5M

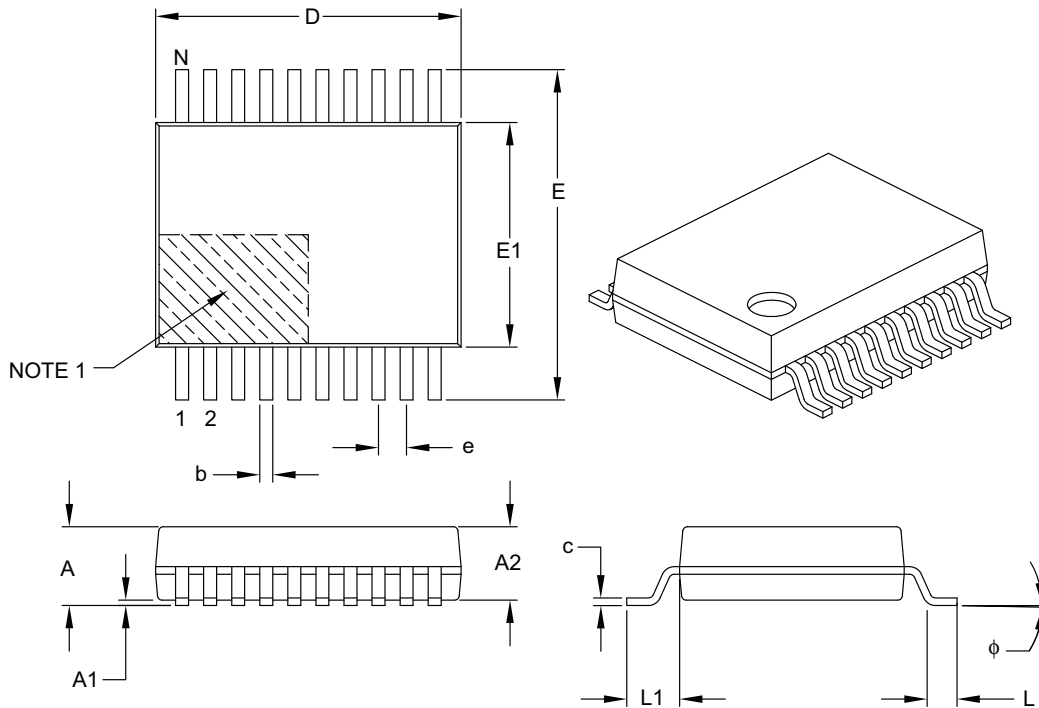
BSC: Basic Dimension. Theoretically exact value shown without tolerances.

Microchip Technology Drawing C04-2262A

MTCH102/5/8

20-Lead Plastic Shrink Small Outline (SS) – 5.30 mm Body [SSOP]

Note: For the most current package drawings, please see the Microchip Packaging Specification located at <http://www.microchip.com/packaging>



| Dimension Limits | Units | MILLIMETERS | | |
|--------------------------|--------|-------------|------|------|
| | | MIN | NOM | MAX |
| Number of Pins | N | 20 | | |
| Pitch | e | 0.65 BSC | | |
| Overall Height | A | – | – | 2.00 |
| Molded Package Thickness | A2 | 1.65 | 1.75 | 1.85 |
| Standoff | A1 | 0.05 | – | – |
| Overall Width | E | 7.40 | 7.80 | 8.20 |
| Molded Package Width | E1 | 5.00 | 5.30 | 5.60 |
| Overall Length | D | 6.90 | 7.20 | 7.50 |
| Foot Length | L | 0.55 | 0.75 | 0.95 |
| Footprint | L1 | 1.25 REF | | |
| Lead Thickness | c | 0.09 | – | 0.25 |
| Foot Angle | ϕ | 0° | 4° | 8° |
| Lead Width | b | 0.22 | – | 0.38 |

Notes:

- Pin 1 visual index feature may vary, but must be located within the hatched area.
- Dimensions D and E1 do not include mold flash or protrusions. Mold flash or protrusions shall not exceed 0.20 mm per side.
- Dimensioning and tolerancing per ASME Y14.5M.

BSC: Basic Dimension. Theoretically exact value shown without tolerances.

REF: Reference Dimension, usually without tolerance, for information purposes only.

Microchip Technology Drawing C04-072B

20-Lead Plastic Shrink Small Outline (SS) - 5.30 mm Body [SSOP]

Note: For the most current package drawings, please see the Microchip Packaging Specification located at <http://www.microchip.com/packaging>



| | | Units | MILLIMETERS | | |
|--------------------------|----|-------|-------------|------|------|
| Dimension Limits | | | MIN | NOM | MAX |
| Contact Pitch | E | | 0.65 BSC | | |
| Contact Pad Spacing | C | | | 7.20 | |
| Contact Pad Width (X20) | X1 | | | | 0.45 |
| Contact Pad Length (X20) | Y1 | | | | 1.75 |
| Distance Between Pads | G | 0.20 | | | |

Notes:

1. Dimensioning and tolerancing per ASME Y14.5M

BSC: Basic Dimension. Theoretically exact value shown without tolerances.

Microchip Technology Drawing No. C04-2072A

MTCH102/5/8

20-Lead Ultra Thin Plastic Quad Flat, No Lead Package (GZ) - 4x4x0.5 mm Body [UQFN]

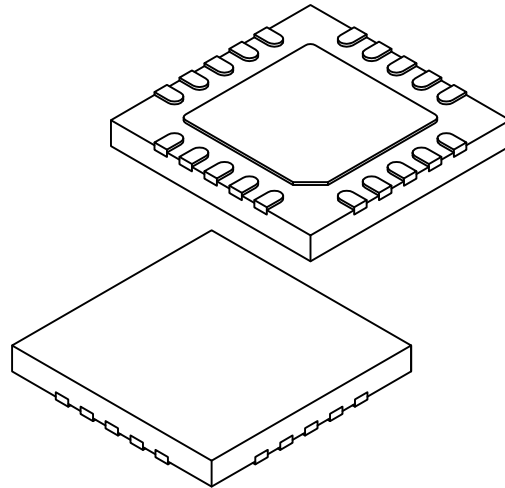
Note: For the most current package drawings, please see the Microchip Packaging Specification located at <http://www.microchip.com/packaging>



Microchip Technology Drawing C04-255A Sheet 1 of 2

20-Lead Ultra Thin Plastic Quad Flat, No Lead Package (GZ) - 4x4x0.5 mm Body [UQFN]

Note: For the most current package drawings, please see the Microchip Packaging Specification located at <http://www.microchip.com/packaging>



| | | Units | MILLIMETERS | | |
|-------------------------|----|-------|-------------|------|------|
| Dimension Limits | | | MIN | NOM | MAX |
| Number of Terminals | N | | 20 | | |
| Pitch | e | | 0.50 BSC | | |
| Overall Height | A | | 0.45 | 0.50 | 0.55 |
| Standoff | A1 | | 0.00 | 0.02 | 0.05 |
| Terminal Thickness | A3 | | 0.127 REF | | |
| Overall Width | E | | 4.00 BSC | | |
| Exposed Pad Width | E2 | | 2.60 | 2.70 | 2.80 |
| Overall Length | D | | 4.00 BSC | | |
| Exposed Pad Length | D2 | | 2.60 | 2.70 | 2.80 |
| Terminal Width | b | | 0.20 | 0.25 | 0.30 |
| Terminal Length | L | | 0.30 | 0.40 | 0.50 |
| Terminal-to-Exposed-Pad | K | | 0.20 | - | - |

Notes:

1. Pin 1 visual index feature may vary, but must be located within the hatched area.
2. Package is saw singulated
3. Dimensioning and tolerancing per ASME Y14.5M

BSC: Basic Dimension. Theoretically exact value shown without tolerances.

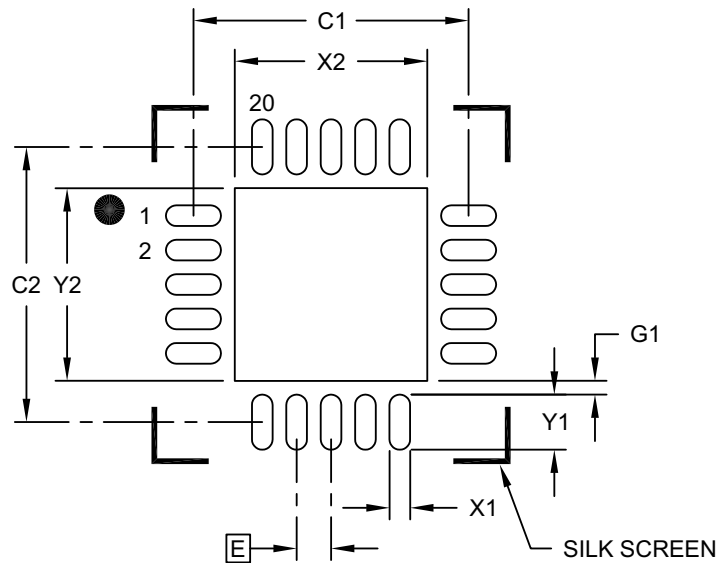
REF: Reference Dimension, usually without tolerance, for information purposes only.

Microchip Technology Drawing C04-255A Sheet 2 of 2

MTCH102/5/8

20-Lead Ultra Thin Plastic Quad Flat, No Lead Package (GZ) - 4x4x0.5 mm Body [UQFN]

Note: For the most current package drawings, please see the Microchip Packaging Specification located at <http://www.microchip.com/packaging>



RECOMMENDED LAND PATTERN

| Dimension Limits | Units | MILLIMETERS | | |
|---------------------------------|-------|-------------|------|------|
| | | MIN | NOM | MAX |
| Contact Pitch | E | 0.50 BSC | | |
| Optional Center Pad Width | X2 | | | 2.80 |
| Optional Center Pad Length | Y2 | | | 2.80 |
| Contact Pad Spacing | C1 | | 4.00 | |
| Contact Pad Spacing | C2 | | 4.00 | |
| Contact Pad Width (X20) | X1 | | | 0.30 |
| Contact Pad Length (X20) | Y1 | | | 0.80 |
| Contact Pad to Center Pad (X20) | G1 | 0.20 | | |

Notes:

1. Dimensioning and tolerancing per ASME Y14.5M

BSC: Basic Dimension. Theoretically exact value shown without tolerances.

Microchip Technology Drawing C04-2255A

APPENDIX A: DATA SHEET REVISION HISTORY

Revision A (05/2015)

Initial release of this document.

THE MICROCHIP WEB SITE

Microchip provides online support via our web site at www.microchip.com. This web site is used as a means to make files and information easily available to customers. Accessible by using your favorite Internet browser, the web site contains the following information:

- **Product Support** – Data sheets and errata, application notes and sample programs, design resources, user's guides and hardware support documents, latest software releases and archived software
- **General Technical Support** – Frequently Asked Questions (FAQ), technical support requests, online discussion groups, Microchip consultant program member listing
- **Business of Microchip** – Product selector and ordering guides, latest Microchip press releases, listing of seminars and events, listings of Microchip sales offices, distributors and factory representatives

CUSTOMER CHANGE NOTIFICATION SERVICE

Microchip's customer notification service helps keep customers current on Microchip products. Subscribers will receive e-mail notification whenever there are changes, updates, revisions or errata related to a specified product family or development tool of interest.

To register, access the Microchip web site at www.microchip.com. Under "Support", click on "Customer Change Notification" and follow the registration instructions.

CUSTOMER SUPPORT

Users of Microchip products can receive assistance through several channels:

- Distributor or Representative
- Local Sales Office
- Field Application Engineer (FAE)
- Technical Support

Customers should contact their distributor, representative or Field Application Engineer (FAE) for support. Local sales offices are also available to help customers. A listing of sales offices and locations is included in the back of this document.

Technical support is available through the web site at: <http://www.microchip.com/support>

PRODUCT IDENTIFICATION SYSTEM

To order or obtain information, e.g., on pricing or delivery, refer to the factory or the listed sales office.

| <u>PART NO.</u> | <u>XI⁽¹⁾</u> | <u>X</u> | <u>XX</u> | <u>XXX</u> | |
|------------------------------|-------------------------------------------------------------------------------|-------------------|-----------|------------|-------------------------------------------------------------------------------------------------------------------------------------------------------------------------------------------------------------------------------------------------------------------------------------|
| Device | Tape and Reel Option | Temperature Range | Package | Pattern | Examples: |
| Device: | MTCH102; MTCH105; MTCH108. | | | | a) MTCH102 - I/L 301 = Industrial temp., MSOP and UDFN package, Extended VDD limits, QTP pattern #301. |
| Tape and Reel Option: | Blank = Standard packaging (tube or tray) T = Tape and Reel ⁽¹⁾ | | | | b) MTCH105 - I/PT = Industrial temp., TSSOP and QFN packages, Extended VDD limits. |
| Temperature Range: | I = -40°C to +85°C (Industrial) E = -40°C to +125°C (Extended) | | | | c) MTCH108 - E/L = Extended temp., UQFN and SSOP package, normal VDD limits. |
| Package: | MS = MSOP SS = SSOP RF = UDFN MV,GZ = UQFN ST = TSSOP FX = QFN | | | | Note 1: Tape and Reel identifier only appears in the catalog part number description. This identifier is used for ordering purposes and is not printed on the device package. Check with your Microchip Sales Office for package availability with the Tape and Reel option. |
| Pattern: | QTP, SQTP, Code or Special Requirements (blank otherwise) | | | | |

Note the following details of the code protection feature on Microchip devices:

- Microchip products meet the specification contained in their particular Microchip Data Sheet.
- Microchip believes that its family of products is one of the most secure families of its kind on the market today, when used in the intended manner and under normal conditions.
- There are dishonest and possibly illegal methods used to breach the code protection feature. All of these methods, to our knowledge, require using the Microchip products in a manner outside the operating specifications contained in Microchip's Data Sheets. Most likely, the person doing so is engaged in theft of intellectual property.
- Microchip is willing to work with the customer who is concerned about the integrity of their code.
- Neither Microchip nor any other semiconductor manufacturer can guarantee the security of their code. Code protection does not mean that we are guaranteeing the product as "unbreakable."

Code protection is constantly evolving. We at Microchip are committed to continuously improving the code protection features of our products. Attempts to break Microchip's code protection feature may be a violation of the Digital Millennium Copyright Act. If such acts allow unauthorized access to your software or other copyrighted work, you may have a right to sue for relief under that Act.

Information contained in this publication regarding device applications and the like is provided only for your convenience and may be superseded by updates. It is your responsibility to ensure that your application meets with your specifications. MICROCHIP MAKES NO REPRESENTATIONS OR WARRANTIES OF ANY KIND WHETHER EXPRESS OR IMPLIED, WRITTEN OR ORAL, STATUTORY OR OTHERWISE, RELATED TO THE INFORMATION, INCLUDING BUT NOT LIMITED TO ITS CONDITION, QUALITY, PERFORMANCE, MERCHANTABILITY OR FITNESS FOR PURPOSE. Microchip disclaims all liability arising from this information and its use. Use of Microchip devices in life support and/or safety applications is entirely at the buyer's risk, and the buyer agrees to defend, indemnify and hold harmless Microchip from any and all damages, claims, suits, or expenses resulting from such use. No licenses are conveyed, implicitly or otherwise, under any Microchip intellectual property rights.

Trademarks

The Microchip name and logo, the Microchip logo, dsPIC, FlashFlex, flexPWR, JukeBlox, KEELOQ, KEELOQ logo, Klear, LANCheck, MediaLB, MOST, MOST logo, MPLAB, OptoLyzer, PIC, PICSTART, PIC³² logo, RightTouch, SpyNIC, SST, SST Logo, SuperFlash and UNI/O are registered trademarks of Microchip Technology Incorporated in the U.S.A. and other countries.

The Embedded Control Solutions Company and mTouch are registered trademarks of Microchip Technology Incorporated in the U.S.A.

Analog-for-the-Digital Age, BodyCom, chipKIT, chipKIT logo, CodeGuard, dsPICDEM, dsPICDEM.net, ECAN, In-Circuit Serial Programming, ICSP, Inter-Chip Connectivity, KlearNet, KlearNet logo, MiWi, MPASM, MPF, MPLAB Certified logo, MPLIB, MPLINK, MultiTRAK, NetDetach, Omniscient Code Generation, PICDEM, PICDEM.net, PICkit, PICtail, RightTouch logo, REAL ICE, SQI, Serial Quad I/O, Total Endurance, TSHARC, USBCheck, VariSense, ViewSpan, WiperLock, Wireless DNA, and ZENA are trademarks of Microchip Technology Incorporated in the U.S.A. and other countries.

SQTP is a service mark of Microchip Technology Incorporated in the U.S.A.

Silicon Storage Technology is a registered trademark of Microchip Technology Inc. in other countries.

GestIC is a registered trademarks of Microchip Technology Germany II GmbH & Co. KG, a subsidiary of Microchip Technology Inc., in other countries.

All other trademarks mentioned herein are property of their respective companies.

© 2015, Microchip Technology Incorporated, Printed in the U.S.A., All Rights Reserved.

ISBN: 978-1-63277-416-3

QUALITY MANAGEMENT SYSTEM
CERTIFIED BY DNV
== ISO/TS 16949 ==

Microchip received ISO/TS-16949:2009 certification for its worldwide headquarters, design and wafer fabrication facilities in Chandler and Tempe, Arizona; Gresham, Oregon and design centers in California and India. The Company's quality system processes and procedures are for its PIC® MCUs and dsPIC® DSCs, KEELOQ® code hopping devices, Serial EEPROMs, microperipherals, nonvolatile memory and analog products. In addition, Microchip's quality system for the design and manufacture of development systems is ISO 9001:2000 certified.



MICROCHIP

Worldwide Sales and Service

AMERICAS

Corporate Office
2355 West Chandler Blvd.
Chandler, AZ 85224-6199
Tel: 480-792-7200
Fax: 480-792-7277
Technical Support:
<http://www.microchip.com/support>
Web Address:
www.microchip.com

Atlanta
Duluth, GA
Tel: 678-957-9614
Fax: 678-957-1455

Austin, TX
Tel: 512-257-3370

Boston
Westborough, MA
Tel: 774-760-0087
Fax: 774-760-0088

Chicago
Itasca, IL
Tel: 630-285-0071
Fax: 630-285-0075

Cleveland
Independence, OH
Tel: 216-447-0464
Fax: 216-447-0643

Dallas
Addison, TX
Tel: 972-818-7423
Fax: 972-818-2924

Detroit
Novi, MI
Tel: 248-848-4000

Houston, TX
Tel: 281-894-5983

Indianapolis
Noblesville, IN
Tel: 317-773-8323
Fax: 317-773-5453

Los Angeles
Mission Viejo, CA
Tel: 949-462-9523
Fax: 949-462-9608

New York, NY
Tel: 631-435-6000

San Jose, CA
Tel: 408-735-9110

Canada - Toronto
Tel: 905-673-0699
Fax: 905-673-6509

ASIA/PACIFIC

Asia Pacific Office
Suites 3707-14, 37th Floor
Tower 6, The Gateway
Harbour City, Kowloon
Hong Kong
Tel: 852-2943-5100
Fax: 852-2401-3431

Australia - Sydney
Tel: 61-2-9868-6733
Fax: 61-2-9868-6755

China - Beijing
Tel: 86-10-8569-7000
Fax: 86-10-8528-2104

China - Chengdu
Tel: 86-28-8665-5511
Fax: 86-28-8665-7889

China - Chongqing
Tel: 86-23-8980-9588
Fax: 86-23-8980-9500

China - Dongguan
Tel: 86-769-8702-9880

China - Hangzhou
Tel: 86-571-8792-8115
Fax: 86-571-8792-8116

China - Hong Kong SAR
Tel: 852-2943-5100
Fax: 852-2401-3431

China - Nanjing
Tel: 86-25-8473-2460
Fax: 86-25-8473-2470

China - Qingdao
Tel: 86-532-8502-7355
Fax: 86-532-8502-7205

China - Shanghai
Tel: 86-21-5407-5533
Fax: 86-21-5407-5066

China - Shenyang
Tel: 86-24-2334-2829
Fax: 86-24-2334-2393

China - Shenzhen
Tel: 86-755-8864-2200
Fax: 86-755-8203-1760

China - Wuhan
Tel: 86-27-5980-5300
Fax: 86-27-5980-5118

China - Xian
Tel: 86-29-8833-7252
Fax: 86-29-8833-7256

ASIA/PACIFIC

China - Xiamen
Tel: 86-592-2388138
Fax: 86-592-2388130

China - Zhuhai
Tel: 86-756-3210040
Fax: 86-756-3210049

India - Bangalore
Tel: 91-80-3090-4444
Fax: 91-80-3090-4123

India - New Delhi
Tel: 91-11-4160-8631
Fax: 91-11-4160-8632

India - Pune
Tel: 91-20-3019-1500

Japan - Osaka
Tel: 81-6-6152-7160
Fax: 81-6-6152-9310

Japan - Tokyo
Tel: 81-3-6880-3770
Fax: 81-3-6880-3771

Korea - Daegu
Tel: 82-53-744-4301
Fax: 82-53-744-4302

Korea - Seoul
Tel: 82-2-554-7200
Fax: 82-2-558-5932 or
82-2-558-5934

Malaysia - Kuala Lumpur
Tel: 60-3-6201-9857
Fax: 60-3-6201-9859

Malaysia - Penang
Tel: 60-4-227-8870
Fax: 60-4-227-4068

Philippines - Manila
Tel: 63-2-634-9065
Fax: 63-2-634-9069

Singapore
Tel: 65-6334-8870
Fax: 65-6334-8850

Taiwan - Hsin Chu
Tel: 886-3-5778-366
Fax: 886-3-5770-955

Taiwan - Kaohsiung
Tel: 886-7-213-7828

Taiwan - Taipei
Tel: 886-2-2508-8600
Fax: 886-2-2508-0102

Thailand - Bangkok
Tel: 66-2-694-1351
Fax: 66-2-694-1350

EUROPE

Austria - Wels
Tel: 43-7242-2244-39
Fax: 43-7242-2244-393

Denmark - Copenhagen
Tel: 45-4450-2828
Fax: 45-4485-2829

France - Paris
Tel: 33-1-69-53-63-20
Fax: 33-1-69-30-90-79

Germany - Dusseldorf
Tel: 49-2129-3766400

Germany - Munich
Tel: 49-89-627-144-0
Fax: 49-89-627-144-44

Germany - Pforzheim
Tel: 49-7231-424750

Italy - Milan
Tel: 39-0331-742611
Fax: 39-0331-466781

Italy - Venice
Tel: 39-049-7625286

Netherlands - Drunen
Tel: 31-416-690399
Fax: 31-416-690340

Poland - Warsaw
Tel: 48-22-3325737

Spain - Madrid
Tel: 34-91-708-08-90
Fax: 34-91-708-08-91

Sweden - Stockholm
Tel: 46-8-5090-4654

UK - Wokingham
Tel: 44-118-921-5800
Fax: 44-118-921-5820

01/27/15



Компания «ЭлектроПласт» предлагает заключение долгосрочных отношений при поставках импортных электронных компонентов на взаимовыгодных условиях!

Наши преимущества:

- Оперативные поставки широкого спектра электронных компонентов отечественного и импортного производства напрямую от производителей и с крупнейших мировых складов;
- Поставка более 17-ти миллионов наименований электронных компонентов;
- Поставка сложных, дефицитных, либо снятых с производства позиций;
- Оперативные сроки поставки под заказ (от 5 рабочих дней);
- Экспресс доставка в любую точку России;
- Техническая поддержка проекта, помощь в подборе аналогов, поставка прототипов;
- Система менеджмента качества сертифицирована по Международному стандарту ISO 9001;
- Лицензия ФСБ на осуществление работ с использованием сведений, составляющих государственную тайну;
- Поставка специализированных компонентов (Xilinx, Altera, Analog Devices, Intersil, Interpoint, Microsemi, Aeroflex, Peregrine, Syfer, Eurofarad, Texas Instrument, Miteq, Cobham, E2V, MA-COM, Hittite, Mini-Circuits, General Dynamics и др.);

Помимо этого, одним из направлений компании «ЭлектроПласт» является направление «Источники питания». Мы предлагаем Вам помощь Конструкторского отдела:

- Подбор оптимального решения, техническое обоснование при выборе компонента;
- Подбор аналогов;
- Консультации по применению компонента;
- Поставка образцов и прототипов;
- Техническая поддержка проекта;
- Защита от снятия компонента с производства.



Как с нами связаться

Телефон: 8 (812) 309 58 32 (многоканальный)

Факс: 8 (812) 320-02-42

Электронная почта: org@eplast1.ru

Адрес: 198099, г. Санкт-Петербург, ул. Калинина, дом 2, корпус 4, литера А.