

PLEASE CHECK WWW.MOLEX.COM FOR LATEST PART INFORMATION

Part Number: [0512810994](#)
Status: **Active**
Overview:
Description: 0.50mm (.020") Pitch FFC/FPC Connector, SMT, Right Angle, Non-ZIF, Dual Contact Style, 1.20mm (.047") Mated Height, 9 Circuits, Lead-free, Gold (Au) Plating

General

Product Family	FFC/FPC Connectors
Series	51281
Overview	ffc_fpc_smt
Product Name	N/A

Physical

Circuits (Loaded)	9
Color - Resin	Natural
Contact Position	Dual
Durability (mating cycles max)	20
Entry Angle	90° Angle
Mated Height (in)	0.047 In
Mated Height (mm)	1.20 mm
Material - Metal	Phosphor Bronze
Material - Plating Mating	Gold
Material - Plating Termination	Tin
Material - Resin	High Temperature Thermoplastic
Number of Rows	1
Orientation	Right Angle
PC Tail Length (in)	0.020 In
PC Tail Length (mm)	0.50 mm
PCB Locator	No
PCB Retention	Yes
Packaging Type	Embossed Tape on Reel
Pitch - Mating Interface (in)	0.020 In
Pitch - Mating Interface (mm)	0.50 mm
Plating min: Mating (µin)	4
Plating min: Mating (µm)	0.1
Plating min: Termination (µin)	40
Plating min: Termination (µm)	1
Polarized to PCB	Yes
Stackable	No
Surface Mount Compatible (SMC)	N/A
Temperature Range - Operating	-20°C to +85°C
Termination Interface: Style	Surface Mount
Wire/Cable Type	FFC/FPC

Electrical

Current - Maximum per Contact	0.5A
Voltage - Maximum	50V

Material Info

Reference - Drawing Numbers

Packaging Specification	SPK-51281-001
Product Specification	PS-51281-003, RPS-51281-016, RPS-51281-017, RPS-51281-018, RPS-51281-019
Sales Drawing	SD-51281-011, SD-51281-012

EU RoHS

**ELV and RoHS
Compliant**

REACH SVHC

Not Reviewed

Halogen-Free

Status

Not Reviewed

China RoHS



**Need more information on product
environmental compliance?**

Email productcompliance@molex.com
For a multiple part number RoHS Certificate of Compliance, [click here](#)

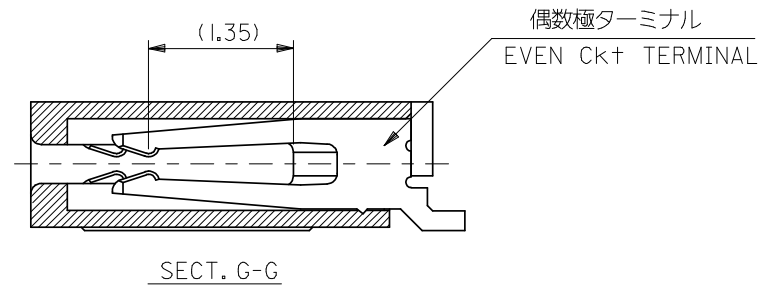
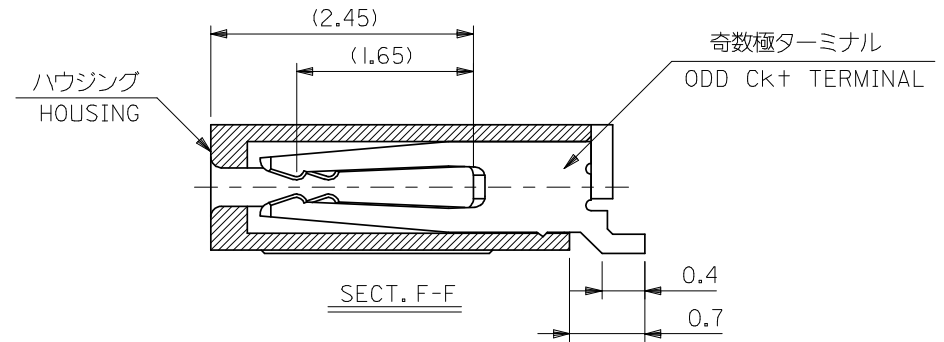
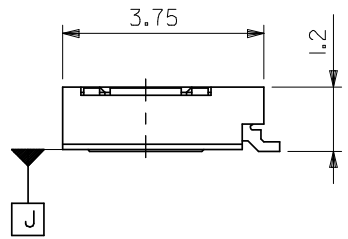
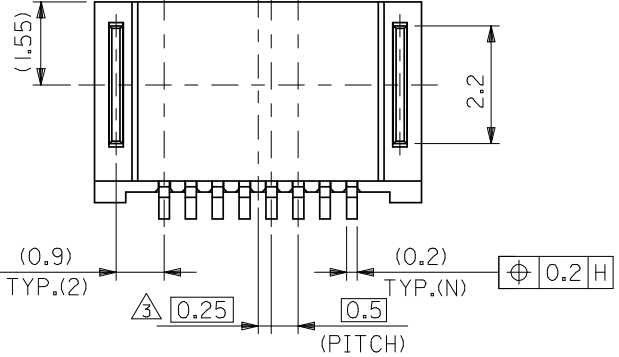
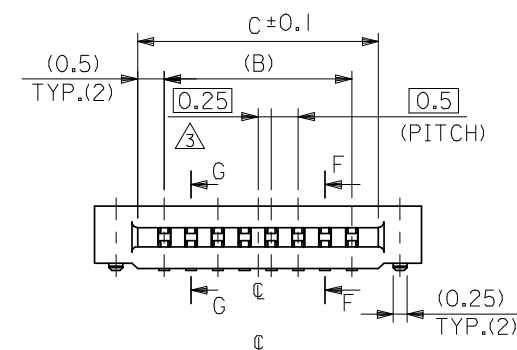
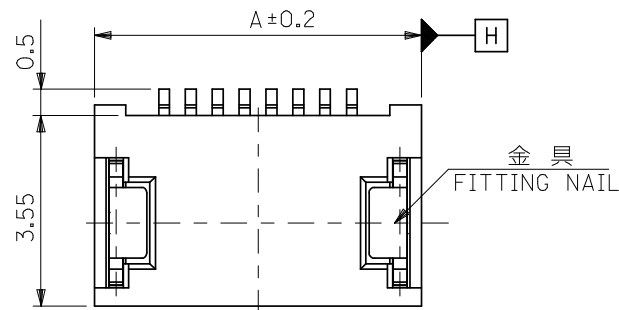
Please visit the [Contact Us](#) section for any non-product compliance questions.

Search Parts in this Series

51281Series

This document was generated on 06/04/2010

PLEASE CHECK WWW.MOLEX.COM FOR LATEST PART INFORMATION



13.5	12.5	15.1	51281-2694	51281-2640	26
12.5	11.5	14.1	51281-2494	51281-2440	24
11.5	10.5	13.1	51281-2294	51281-2240	22
10.5	9.5	12.1	51281-2094	51281-2040	20
9.5	8.5	11.1	51281-1894	51281-1840	18
8.5	7.5	10.1	51281-1694	51281-1640	16
7.5	6.5	9.1	51281-1494	51281-1440	14
6.5	5.5	8.1	51281-1294	51281-1240	12
5.5	4.5	7.1	51281-1094	51281-1040	10
5.0	4.0	6.6	51281-0994	51281-0940	9
4.5	3.5	6.1	51281-0894	51281-0840	8
3.5	2.5	5.1	51281-0694	51281-0640	6
3.0	2.0	4.6	51281-0594	51281-0540	5
C	B	A	EMBOSSED TAPE ORDER No. オーダー番号	MATERIAL NO.	CIRCUIT

REVISED EC NO: J2008-4308 DRWN: MWABEI 2008/06/27 CHKD: THARUYAMA 2008/06/30 APPR: NUKITA 2008/06/30	GENERAL TOLERANCES (UNLESS SPECIFIED)		DIMENSION STYLE	SCALE	DESIGN UNITS	THIRD ANGLE PROJECTION
			MM ONLY	---	METRIC	
	10 UNDER	±0.2	DRAWN BY	DATE	TITLE	
	10 OVER 30 UNDER	±0.25	KENSUZUKI	2004/10/19	0.5 FPC CONN NON-ZIF HSG ASSY (HGT=1.2MM) -LEAD FREE-	
	30 OVER	±0.3	CHECKED BY	DATE		
ANGULAR ±3 °		APPROVED BY	DATE	MOLEX INCORPORATED		
DRAFT WHERE APPLICABLE MUST REMAIN WITHIN DIMENSIONS		NUKITA	2004/10/19	MATERIAL NO.	DOCUMENT NO.	SHEET NO.
		SEE TABLE		SD-51281-011	1 OF 2	
SIZE A3 THIS DRAWING CONTAINS INFORMATION THAT IS PROPRIETARY TO MOLEX INCORPORATED AND SHOULD NOT BE USED WITHOUT WRITTEN PERMISSION						

F

E

D

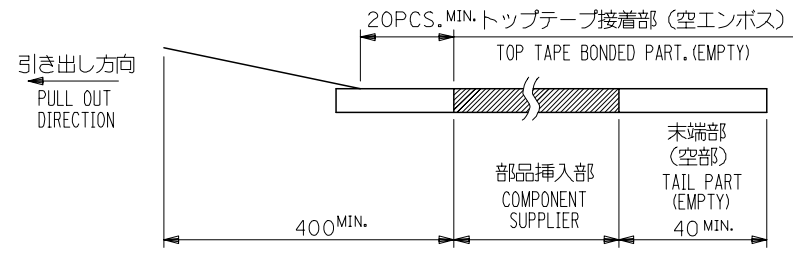
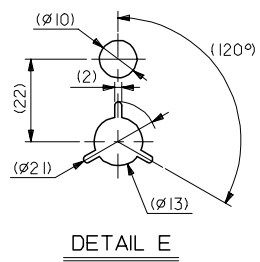
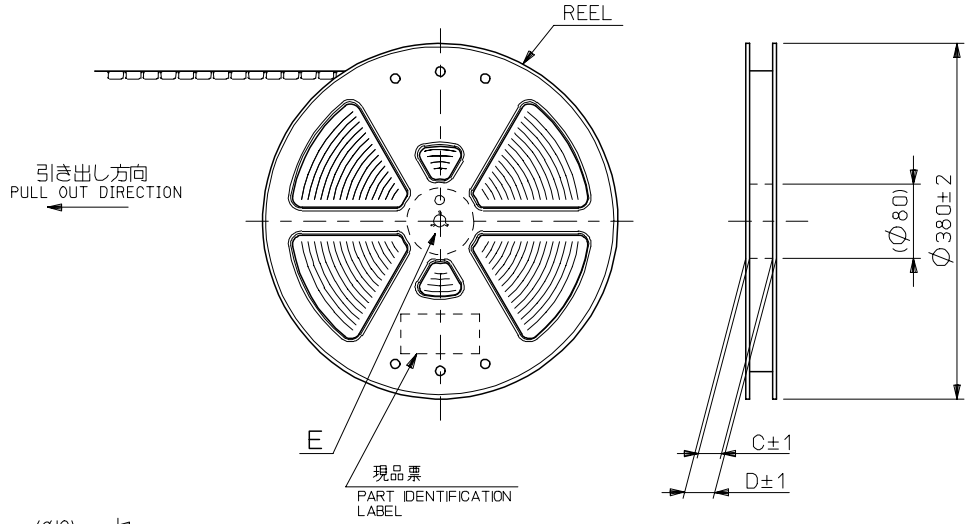
C

B

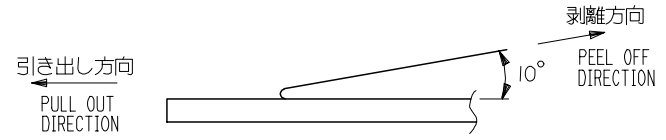
A

NOTES

- 製品詳細寸法については図面 SD-51281-011 を参照下さい。
RE DETAILED DIMENSION, SEE SD-51281-011
- 梱包数量：3000個/リール
NUMBER OF CONNECTORS : 3000PCS/REEL
- リードテープ長さ LEAD TAPE LENGTH



- トップテープの剥離強度：0.1N~1.3N {10gf~130gf} (剥離方向は下図参照)
尚、本規格値は出荷時に適用。(但し、輸送時に剥離が発生しないこと。)
PEELING OFF FORCE OF TOP TAPE : 0.1N~1.3N {10gf~130gf}
(PEELING DIRECTION AS SHOWN IN FOLLOWING FIG.)
THIS REQUIREMENT SHOULD BE APPLIED AT SHIPMENT.
PEEL OFF SHOULD NOT BE ALLOWED , DURING TRANSPORTATION.



- 材料 (MATERIAL)
キャリアテープ (CARRIER TAPE) : ポリプロピレン (POLYPROPYLENE)
トップテープ (TOPTAPE) : PET , PE , PEF
リール (REEL) : ポリスチレン (PS) <リサイクル材含む>
POLYSTYREN (PS) <RECYCLE MATERIAL CONTAINED>
- C, D 寸法は SHEET 2 ~ 3 を参照下さい。
SEE SHEET 2 ~ 3 (DIMENSION C, D).

REVISED EC NO: J2006-0559 DRWN: NABEI 2005/08/22 CHKD: TOYODA 2005/08/23 APPR: NUKITA 2005/08/26	GENERAL TOLERANCES (UNLESS SPECIFIED)		DIMENSION STYLE MM ONLY		SCALE ---	51281-xx94	MODEL NO.
	10 UNDER	±0.2	DRAWN BY KENSUZUKI	DATE 2004/10/19	TITLE	DESIGN UNITS METRIC	THIRD ANGLE PROJECTION
	10 OVER 30 UNDER	±0.25	CHECKED BY NUKITA	DATE 2004/10/19	0.5 FPC CONN NON-ZIF (HGT=1.2MM) EMBSTP PKG -LEAD FREE-	MOLEX INCORPORATED	SHEET NO. 1 OF 4
	30 OVER	±0.3	APPROVED BY NUKITA	DATE 2004/10/19			
ANGULAR ±3 °		MATERIAL NO. SEE CHART		DOCUMENT NO. SD-51281-012			
DRAFT WHERE APPLICABLE MUST REMAIN WITHIN DIMENSIONS		SIZE A3		THIS DRAWING CONTAINS INFORMATION THAT IS PROPRIETARY TO MOLEX INCORPORATED AND SHOULD NOT BE USED WITHOUT WRITTEN PERMISSION			

10 9 8 7 6 5 4 3 2 1

F

E

D

C

B

A

F

E

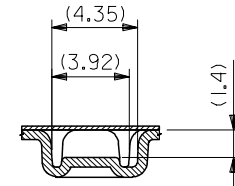
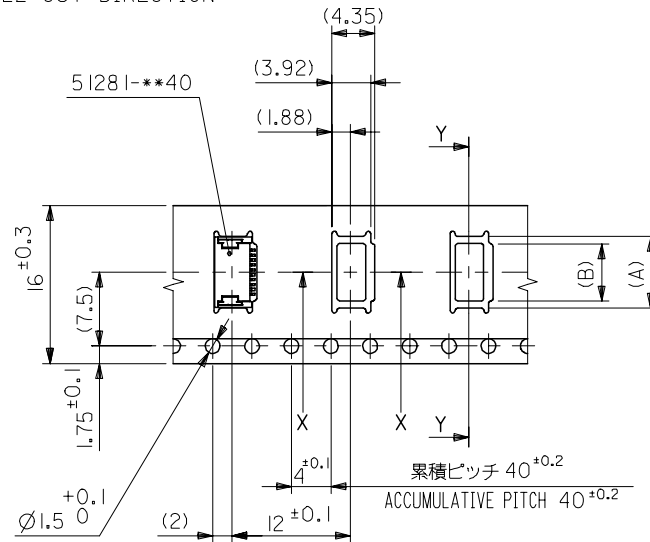
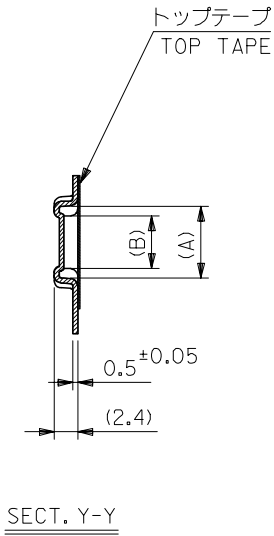
D

C

B

A

引き出し方向
PULL OUT DIRECTION



16mm幅キャリアテープ
16mm WIDTH CARRIER TAPE

16	21.4	17.4	4.3	6.3	51281-0894	8
			3.3	5.3	51281-0694	6
			2.8	4.8	51281-0594	5
キャリアテープ幅 CARRIER TAPE WIDTH	D	C	(B)	(A)	製品番号 MATERIAL No.	極数 Ck+
51281-***94					MODEL NO.	

REVISED EC NO: J2006-0559 DRWN: NABEI 2005/08/22 CHKD: TOYODA 2005/08/23 APPR: NUKITA 2005/08/26	DESCRIPTION GENERAL TOLERANCES (UNLESS SPECIFIED)	10 UNDER	±0.2	DIMENSION STYLE MM ONLY	SCALE ---	DESIGN UNITS METRIC	THIRD ANGLE PROJECTION
		10 OVER 30 UNDER	±0.25				
		30 OVER	±0.3				
		ANGULAR	±3 °				
DRAFT WHERE APPLICABLE MUST REMAIN WITHIN DIMENSIONS		DRAWN BY KENSUZUK 2004/10/19		TITLE 0.5 FPC CONN NON-ZIF (HGT=1.2MM) EMBSTP PKG -LEAD FREE-			
		CHECKED BY NUKITA 2004/10/19		MOLEX INCORPORATED			
		APPROVED BY NUKITA 2004/10/19		MATERIAL NO.		DOCUMENT NO. SD-51281-012	
		SIZE A3		SEE CHART			
						SHEET NO. 2 OF 4	

9

8

7

6

5

4

3

2

10 9 8 7 6 5 4 3 2 1

F

F

E

E

D

D

C

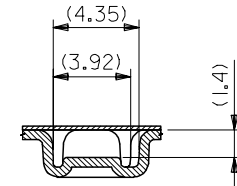
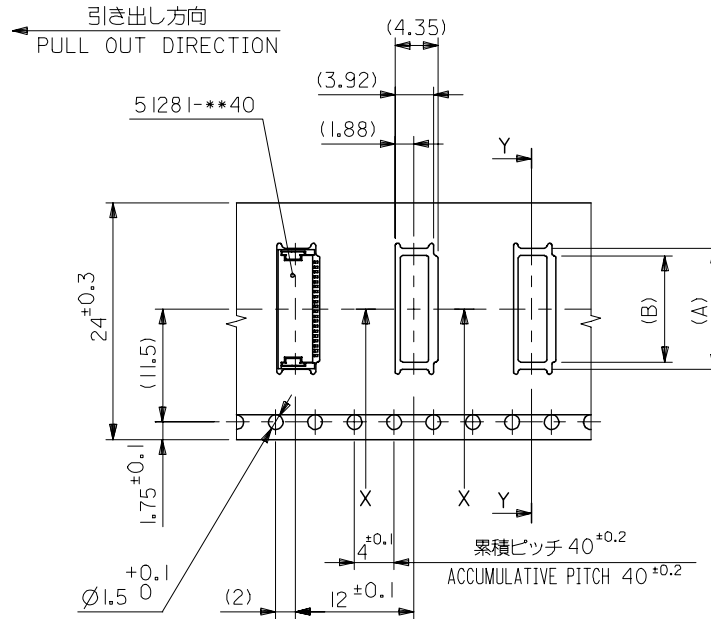
C

B

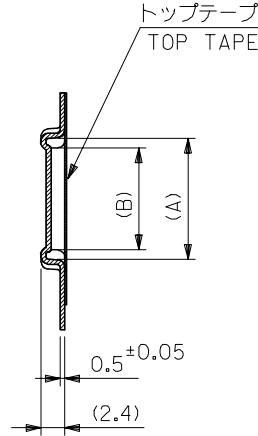
B

A

A



SECT. X-X



SECT. Y-Y

24mm幅キャリアテープ
24mm WIDTH CARRIER TAPE

24	29.4	25.4	12.3	14.3	51281-2494	24		
			11.3	13.3	51281-2294	22		
			10.3	12.3	51281-2094	20		
			9.3	11.3	51281-1894	18		
			8.3	10.3	51281-1694	16		
			7.3	9.3	51281-1494	14		
			6.3	8.3	51281-1294	12		
			5.3	7.3	51281-1094	10		
			4.8	6.8	51281-0994	9		
キャリアテープ幅 CARRIER TAPE WIDTH			D	C	(B)	(A)	製品番号 MATERIAL No.	極数 Ck+
51281-**-94 MODEL No.								

REVISED EC NO: J2006-0559 DRWN: NABEI 2005/08/22 CHKD: TOYODA 2005/08/23 APPR: NUKITA 2005/08/26	DESCRIPTION GENERAL TOLERANCES (UNLESS SPECIFIED)	10 UNDER	±0.2	DIMENSION STYLE MM ONLY	SCALE ---	DESIGN UNITS METRIC	THIRD ANGLE PROJECTION
		10 OVER 30 UNDER	±0.25				
		30 OVER	±0.3				
		ANGULAR	±3 °				
		DRAFT WHERE APPLICABLE MUST REMAIN WITHIN DIMENSIONS					
DRAWN BY KENSUZUKI	DATE 2004/10/19	TITLE 0.5 FPC CONN NON-ZIF (HGT=1.2MM) EMBSTP PKG -LEAD FREE-					
CHECKED BY NUKITA	DATE 2004/10/19	MOLEX INCORPORATED					
APPROVED BY NUKITA	DATE 2004/10/19	MATERIAL NO. SEE CHART	DOCUMENT NO. SD-51281-012	SHEET NO. 3 OF 4			
THIS DRAWING CONTAINS INFORMATION THAT IS PROPRIETARY TO MOLEX INCORPORATED AND SHOULD NOT BE USED WITHOUT WRITTEN PERMISSION							

9

8

7

6

5

4

3

2

10 9 8 7 6 5 4 3 2 1

F

F

E

E

D

D

C

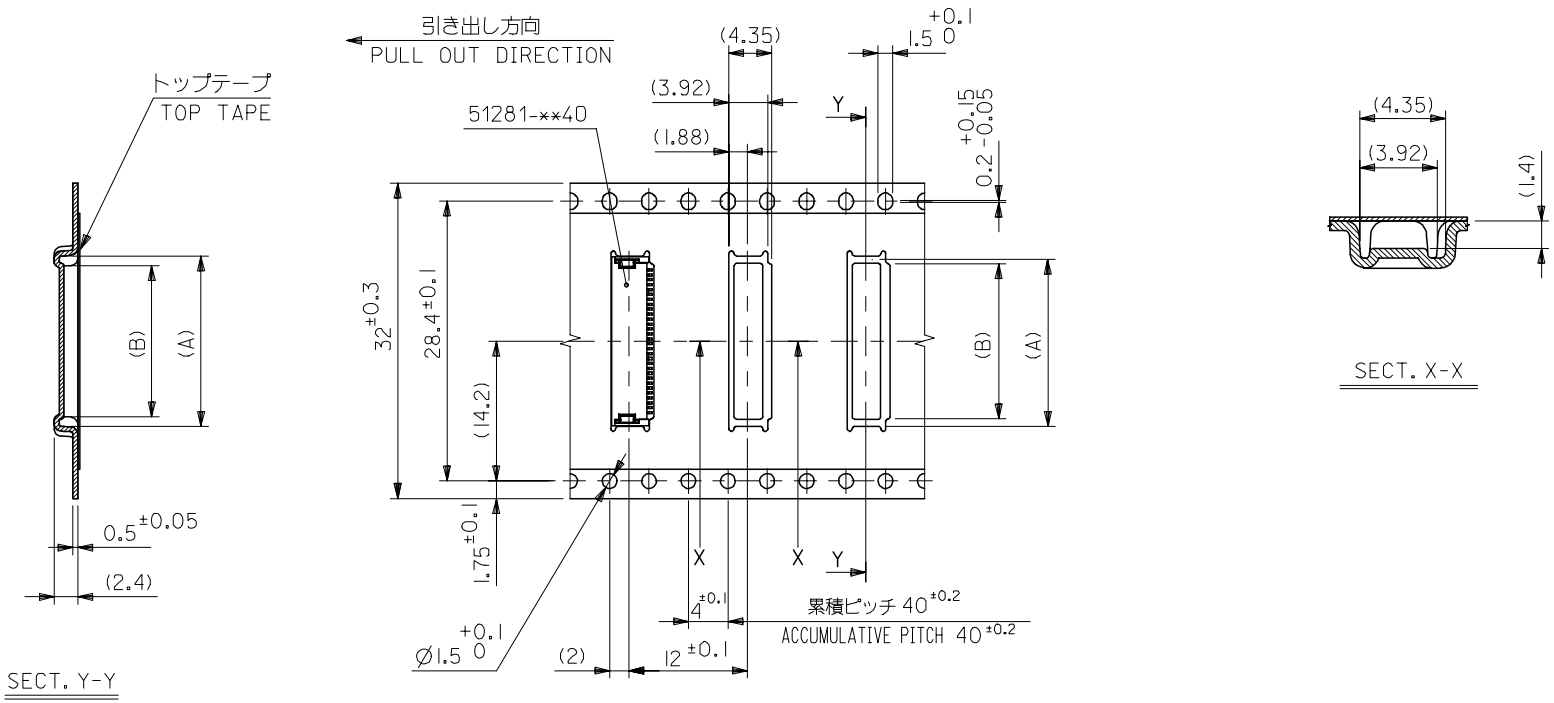
C

B

B

A

A



32mm幅キャリアテープ
32mm WIDTH CARRIER TAPE

32	37.4	33.4	13.3	15.3	51281-2694	26
キャリアテープ幅 CARRIER TAPE WIDTH	D	C	(B)	(A)	製品番号 MATERIAL No.	極数 CK+

REVISED EC NO: J2006-0559 DRWN: NABEI 2005/08/22 CHKDK: TOYODA 2005/08/23 APPR: NUKITA 2005/08/26	GENERAL TOLERANCES (UNLESS SPECIFIED)		DIMENSION STYLE MM ONLY		SCALE ---	DESIGN UNITS METRIC	THIRD ANGLE PROJECTION
	10 UNDER	±0.2	DRAWN BY KENSUZUKI	DATE 2004/10/19	TITLE 0.5 FPC CONN NON-ZIF (HGT=1.2MM) EMBSTP PKG -LEAD FREE-		
	10 OVER 30 UNDER	±0.25	CHECKED BY NUKITA	DATE 2004/10/19	APPROVED BY MOLEX INCORPORATED		
	30 OVER	±0.3	APPROVED BY NUKITA	DATE 2004/10/19	MATERIAL NO.	DOCUMENT NO. SD-51281-012	SHEET NO. 4 OF 4
ANGULAR ±3 °		DRAFT WHERE APPLICABLE MUST REMAIN WITHIN DIMENSIONS		SEE CHART			



Компания «ЭлектроПласт» предлагает заключение долгосрочных отношений при поставках импортных электронных компонентов на взаимовыгодных условиях!

Наши преимущества:

- Оперативные поставки широкого спектра электронных компонентов отечественного и импортного производства напрямую от производителей и с крупнейших мировых складов;
- Поставка более 17-ти миллионов наименований электронных компонентов;
- Поставка сложных, дефицитных, либо снятых с производства позиций;
- Оперативные сроки поставки под заказ (от 5 рабочих дней);
- Экспресс доставка в любую точку России;
- Техническая поддержка проекта, помощь в подборе аналогов, поставка прототипов;
- Система менеджмента качества сертифицирована по Международному стандарту ISO 9001;
- Лицензия ФСБ на осуществление работ с использованием сведений, составляющих государственную тайну;
- Поставка специализированных компонентов (Xilinx, Altera, Analog Devices, Intersil, Interpoint, Microsemi, Aeroflex, Peregrine, Syfer, Eurofarad, Texas Instrument, Miteq, Cobham, E2V, MA-COM, Hittite, Mini-Circuits, General Dynamics и др.);

Помимо этого, одним из направлений компании «ЭлектроПласт» является направление «Источники питания». Мы предлагаем Вам помощь Конструкторского отдела:

- Подбор оптимального решения, техническое обоснование при выборе компонента;
- Подбор аналогов;
- Консультации по применению компонента;
- Поставка образцов и прототипов;
- Техническая поддержка проекта;
- Защита от снятия компонента с производства.



Как с нами связаться

Телефон: 8 (812) 309 58 32 (многоканальный)

Факс: 8 (812) 320-02-42

Электронная почта: org@eplast1.ru

Адрес: 198099, г. Санкт-Петербург, ул. Калинина, дом 2, корпус 4, литера А.