



K Series - Page K4



KCB Series - Page K5



KE Series - Page K6



KLNS Series - Page K8



KN Series - Page K8



PK Series - Page K13



PKD Series - Page K14



Alcoknob Part Number Index

K1250A1/4K4
 K1250B1/4K4
 K1251B1/4K4
 K1255AS1/4K4
 K1255BS1/4K4
 K500A1/4K4
 K500A1/8K4
 K500B1/4K4
 K500B1/8K4
 K700A1/4K4
 K700B1/4K4
 K900A1/4K4
 K900B1/4K4
 KA1250A1/4K4
 KA1250B1/4K4
 KA500A1/4K4
 KA500A1/8K4
 KA500B1/4K4
 KA500B1/8K4
 KA700A1/4K4
 KA700B1/4K4
 KA900A1/4K4
 KA900B1/4K4
 KAS500A1/4K4
 KAS500A1/8K4
 KAS500B1/4K4
 KAS500B1/8K4
 KAS700A1/4K4
 KAS700B1/4K4
 KAS900A1/4K4
 KAS900B1/4K4
 KB500A1/4K5
 KB500B1/4K5
 KB500B1/8K5
 KB700A1/4K5
 KB700B1/4K5
 KB900A1/4K5
 KB900B1/4K5
 KBS500A1/8K5
 KBS500A101/4K5
 KBS500A101/8K5
 KBS500B1/4K5
 KBS500B1/8K5
 KBS500B101/4K5
 KBS500B101/8K5
 KCB500A1/4K5
 KCB500A1/8K5
 KCB500B1/4K5
 KCB500B1/8K5
 KCB600A1/4K5
 KCB600A1/8K5
 KCB600B1/4K5
 KCB600B1/8K5
 KCB700A1/4K5
 KCB700B1/4K5
 KCB900A1/4K5
 KCB900B1/4K5
 KD1250A1/4K6
 KD1250B1/4K6
 KD500A1/4K6
 KD500A1/8K6
 KD500B1/4K6
 KD500B1/8K6
 KD700A1/4K6
 KD700B1/4K6
 KD900A1/4K6
 KD900B1/4K6
 KE1250AB1/4K6
 KE500AB1/4K6
 KE500AB1/8K6
 KE700AB1/4K6
 KE900AB1/4K6

KES500AB1/4K6
 KES500AB1/8K6
 KES700AB1/4K6
 KES900AB1/4K6
 KFS400B1/8K7
 KFS500B1/4K7
 KFS500B1/8K7
 KFS600B1/4K7
 KHF1250A1/4K7
 KHF500A1/4K7
 KHF700A1/4K7
 KHF900A1/4K7
 KLN1250A1/4K7
 KLN1250B1/4K7
 KLN500A1/4K7
 KLN500A1/8K7
 KLN500B1/4K7
 KLN500B1/8K7
 KLN500S1/4K7
 KLN700A1/4K7
 KLN700B1/4K7
 KLN700B1/8K7
 KLN700S1/4K7
 KLN900A1/4K7
 KLN900B1/4K7
 KLN900S1/4K7
 KLN5500A1/4K8
 KLNS500A1/8K8
 KLNS500B1/4K8
 KLNS500B1/8K8
 KLNS700A1/4K8
 KLNS700B1/4K8
 KLNS900A1/4K8
 KLNS900B1/4K8
 KN1250A1/4K9
 KN1250AB1/4K9
 KN1250B1/4K9
 KN1250BA1/4K9
 KN1251A1/4K9
 KN1251B1/4K9
 KN1750A1/4K8
 KN1750B1/4K8
 KN1751A1/4K8
 KN1751AB1/4K8
 KN1751AS1/4K8
 KN1751B1/4K8
 KN1751BA1/4K8
 KN1751BS1/4K8
 KN1755ABS1/4K9
 KN1755AS1/4K9
 KN1755BAS1/4K9
 KN1755BS1/4K9
 KN500A1/4K9
 KN500A1/8K9
 KN500AB1/4K9
 KN500AB1/8K9
 KN500B1/4K9
 KN500B1/8K9
 KN500BA1/4K9
 KN500BA1/8K9
 KN501A1/4K8
 KN501A1/8K8
 KN501B1/4K8
 KN501B1/8K8
 KN501BA1/4K8
 KN501BA1/8K8
 KN5700A1/4K9
 KN5700B1/4K9
 KN700A1/4K9
 KN700AB1/4K9
 KN700B1/4K9
 KN700BA1/4K9
 KN701A1/4K8
 KN701B1/4K8

KN701BA1/4K8
 KN701BA1/8K8
 KN900A1/4K9
 KN900AB1/4K9
 KN900B1/4K9
 KN900BA1/4K9
 KNS501A1/4K10
 KNS501A1/8K10
 KNS501B1/4K10
 KNS501B1/8K10
 KNS501BA1/4K10
 KNS501BA1/8K10
 KNS701A1/4K10
 KNS701B1/4K10
 KNS701BA1/4K10
 KNS701BA1/8K10
 KPN500A1/4K10
 KPN500A1/8K10
 KPN500B1/4K10
 KPN500B1/8K10
 KPN700A1/4K10
 KPN700B1/4K10
 KPN900A1/4K10
 KPN900B1/4K10
 KR1K21
 KR2K21
 KR3K21
 KS500A1/4K10
 KS500A1/8K10
 KS500B1/4K10
 KS500B1/8K10
 KS700A1/4K10
 KS700B1/4K10
 KS900A1/4K10
 KS900B1/4K10
 KT500A1/4K11
 KT500B1/4K11
 KT500B1/8K11
 KT700A1/4K11
 KT700B1/4K11
 KT900A1/4K11
 KT900B1/4K11
 KU401B1/8K11
 KU402B1/8K11
 KU500B1/4K11
 KU500B1/8K11
 KU700B1/4K11
 KUS402B1/8K11
 KUS500B1/4K11
 KUS500B1/8K11
 KUS700B1/4K11
 PH15181/4K12
 PK1100B1/8K12
 PK50B1/4K12
 PK50B1/8K12
 PK70B1/4K12
 PK90B1/4K12
 PKA50B1/4K13
 PKA50B1/8K13
 PKA55B1/4K13
 PKA55B1/8K13
 PKA70B1/4K13
 PKA90B1/4K13
 PKAP50B1/4K13
 PKAP50B1/8K13
 PKAP70B1/4K13
 PKB70B1/4K14
 PKB90B1/4K14
 PKD100B1/4K14
 PKD100B101/4K14
 PKD60B1/4K14
 PKD60B1/8K14
 PKD60B101/4K14
 PKD60B101/8K14

PKD70B1/4K14
 PKD70B101/4K14
 PKDT100B1/4K15
 PKDT100B101/4K15
 PKDT60B101/8K15
 PKDT70B1/4K15
 PKDT70B101/4K15
 PKE60B1/4K15
 PKE60B1/8K15
 PKE90B1/4K15
 PKES120B1/4K15
 PKES140B1/4K15
 PKES150B1/4K15
 PKES60B1/4K15
 PKES60B1/8K15
 PKES70B1/4K15
 PKES90B1/4K15
 PKF50B1/8K16
 PKG100B1/4K17
 PKG1255B1/4K17
 PKG40B1/8K16
 PKG50B1/4K16
 PKG50B1/8K16
 PKG60B1/4K17
 PKG60B1/8K17
 PKG70B1/4K17
 PKG70B1/8K17
 PKG90B1/4K17
 PKG90B1/8K17
 PKGP100B1/4K17
 PKGP70B1/4K17
 PKGP90B1/4K17
 PKJ50B1/4K17
 PKJ50B1/8K17
 PKJ60B1/4K17
 PKJ70B1/4K17
 PKJT50B1/4K18
 PKJT50B1/8K18
 PKJT60B1/4K18
 PKJT70B1/4K18
 PKN60B1/4K18
 PKN60B1/8K18
 PKN70B1/4K18
 PKN90B1/4K18
 PKNT60B1/4K18
 PKNT70B1/4K18
 PKNT90B1/4K18
 PKS1103B101/4K18
 PKS1104B1/4K19
 PKS1105B101/4K19
 PKS1106B1/4K19
 PKS1132B1/4K19
 PKS1132B101/4K19
 PKS1132B51/4K19
 PKS1132B91/4K19
 PKS90B1/4K20
 PKS90B101/4K20
 PKX100B1/4K20
 PKX110B1/4K20
 PKX130B1/4K20
 PKX50B1/4K20
 PKX50B1/8K20
 PKX60B1/4K20
 PKX60B1/8K20

K
Alcoknob

General Knob Information

SPECIFICATIONS**A. STANDARD KNOB TYPES**

1. **INSPECTION CRITERIA** - Normal inspection is performed without magnification while holding knob at a distance of 12 to 14 inches for a period of 5 seconds, under normal light. The following imperfections are not acceptable:
 - Finish: visible marks or scratches, runs, or non-uniform coverage.
 - Artwork: voids, specks, bleeding or other inconsistencies
2. **MATERIALS** -
 - K Series: Machined aluminum alloy stock
Finish: gloss anodize
Setscrews: Stainless steel, type 303, hex head, cup point
 - P Series: General purpose phenolic (thermoset) (Max. Temp. 120-125°C continuous)
Finish: Gloss (except PKX, matte)
Insert: Brass
Setscrews: Stainless steel, hex head, cup point
Inlays: Skirts: Aluminum alloy, spun finish

B. CUSTOM TYPES

1. **ALUMINUM**
 - Configuration - most semi-standard or custom designs can be machined. A drawing is required to provide a quotation. Non-standard shaft hole diameters are available also.
 - Finish - Anodizing or paint of various colors can be provided. A color chip is required to ensure proper color shade.
 - Artwork - alpha-numeric lettering, indicator lines, markings, etc. can be provided. Silkscreening and other processes are available.
2. **PHENOLIC**
 - Configuration - most custom styles can be molded.
 - Colors - various custom colored standard knobs can be provided. Color chip is required.
 - Artwork - lettering, markings, etc. can be provided.

Knobs, Machined Aluminum

K SERIES



K700B1/4



| Tyco 3 Flute Design with and without Indicator Line | | | | | | | | | |
|--|------------|---------|------------|------------|------------|------------|------------|------------|------------|
| Electronics | Alcoswitch | Color | A | B | C | D | E | F | G |
| 1437621-7 | K500A1/8 | Natural | .500(12.7) | .430(10.9) | .374(9.50) | .430(10.9) | .625(15.9) | .429(10.9) | .512(13.0) |
| 1437621-6 | K500A1/4 | Natural | .500(12.7) | .430(10.9) | .374(9.50) | .430(10.9) | .625(15.9) | .429(10.9) | .512(13.0) |
| 1437621-9 | K500B1/8 | Black | .500(12.7) | .430(10.9) | .374(9.50) | .430(10.9) | .625(15.9) | .429(10.9) | .512(13.0) |
| 1437621-8 | K500B1/4 | Black | .500(12.7) | .430(10.9) | .374(9.50) | .430(10.9) | .625(15.9) | .429(10.9) | .512(13.0) |
| 1-1437621-0 | K700A1/4 | Natural | .740(18.8) | .655(16.6) | .591(15.0) | .655(16.6) | .625(15.9) | .429(10.9) | .512(13.0) |
| 1-1437621-1 | K700B1/4 | Black | .740(18.8) | .655(16.6) | .591(15.0) | .655(16.6) | .625(15.9) | .429(10.9) | .512(13.0) |
| 1-1437621-3 | K900A1/4 | Natural | .937(23.8) | .817(20.8) | .709(18.0) | .817(20.8) | .625(15.9) | .429(10.9) | .512(13.0) |
| 1-1437621-4 | K900B1/4 | Black | .937(23.8) | .817(20.8) | .709(18.0) | .817(20.8) | .625(15.9) | .429(10.9) | .512(13.0) |
| 1437621-2 | K1250A1/4 | Natural | 1.25(31.8) | 1.11(28.2) | .984(25.0) | 1.11(28.2) | .750(19.1) | .554(14.1) | .630(16.0) |
| 1437621-3 | K1250B1/4 | Black | 1.25(31.8) | 1.11(28.2) | .984(25.0) | 1.11(28.2) | .750(19.1) | .554(14.1) | .630(16.0) |
| Less Indicator | | | | | | | | | |
| 1437621-4 | K1251B1/4 | Black | 1.25(31.8) | 1.11(28.2) | .984(25.0) | 1.11(28.2) | .750(19.1) | .554(14.1) | .630(16.0) |
| With Crank Spinner + Less Indicator | | | | | | | | | |
| | K1255A1/4 | Natural | 1.25(21.8) | 1.11(28.2) | .984(25.0) | 1.11(28.2) | .750(19.1) | .554(14.1) | .630(16.0) |
| 1437621-5 | K1255B1/4 | Black | 1.25(31.8) | 1.11(28.2) | .984(25.0) | 1.11(28.2) | .750(19.1) | .554(14.1) | .630(16.0) |

KA SERIES



KA500A1/4



KA700B1/4



| Tyco 6 Flute Design with Indicator Line | | | | | | | | | |
|--|------------|---------|------------|------------|------------|------------|------------|------------|------------|
| Electronics | Alcoswitch | Color | A | B | C | D | E | F | G |
| 2-1437621-0 | KA500A1/8 | Natural | .500(12.7) | .430(10.9) | .375(9.53) | .430(10.9) | .625(15.9) | .512(13.0) | .430(10.9) |
| 1-1437621-9 | KA500A1/4 | Natural | .500(12.7) | .430(10.9) | .375(9.53) | .430(10.9) | .625(15.9) | .512(13.0) | .430(10.9) |
| 2-1437621-2 | KA500B1/8 | Black | .500(12.7) | .430(10.9) | .375(9.53) | .430(10.9) | .625(15.9) | .512(13.0) | .430(10.9) |
| 2-1437621-1 | KA500B1/4 | Black | .500(12.7) | .430(10.9) | .375(9.53) | .430(10.9) | .625(15.9) | .512(13.0) | .430(10.9) |
| 2-1437621-3 | KA700A1/4 | Natural | .750(19.1) | .655(16.6) | .590(15.0) | .655(16.6) | .625(15.9) | .512(13.0) | .430(10.9) |
| 2-1437621-4 | KA700B1/4 | Black | .750(19.1) | .655(16.6) | .590(15.0) | .655(16.6) | .625(15.9) | .512(13.0) | .430(10.9) |
| 2-1437621-5 | KA900A1/4 | Natural | .937(23.8) | .817(20.8) | .700(17.8) | .817(20.8) | .625(15.9) | .512(13.0) | .430(10.9) |
| 2-1437621-6 | KA900B1/4 | Black | .937(23.8) | .817(20.8) | .700(17.8) | .817(20.8) | .625(15.9) | .512(13.0) | .430(10.9) |
| | KA1250A1/4 | Natural | 1.25(31.8) | 1.11(28.2) | .985(25.0) | 1.11(28.2) | .750(19.1) | .630(16.0) | .554(14.1) |
| 1-1437621-8 | KA1250B1/4 | Black | 1.25(31.8) | 1.11(28.2) | .985(25.0) | 1.11(28.2) | .750(19.1) | .630(16.0) | .554(14.1) |

KAS SERIES



| Tyco 6 Flute Design with Aluminum Skirt and Indicator Lines | | | | | | | | | |
|--|------------|---------|------------|------------|------------|------------|------------|------------|------------|
| Electronics | Alcoswitch | Color | A | B | C | D | E | F | G |
| 2-1437621-8 | KAS500A1/8 | Natural | .500(12.7) | .430(10.9) | .380(9.65) | .740(18.8) | .630(16.0) | .510(13.0) | .430(10.9) |
| 2-1437621-7 | KAS500A1/4 | Natural | .500(12.7) | .430(10.9) | .380(9.65) | .740(18.8) | .630(16.0) | .510(13.0) | .430(10.9) |
| 3-1437621-0 | KAS500B1/8 | Black | .500(12.7) | .430(10.9) | .380(9.65) | .740(18.8) | .630(16.0) | .510(13.0) | .430(10.9) |
| 2-1437621-9 | KAS500B1/4 | Black | .500(12.7) | .430(10.9) | .380(9.65) | .740(18.8) | .630(16.0) | .510(13.0) | .430(10.9) |
| 3-1437621-1 | KAS700A1/4 | Natural | .750(19.1) | .650(16.5) | .590(15.0) | 1.14(29.0) | .630(16.0) | .510(13.0) | .430(10.9) |
| 3-1437621-2 | KAS700B1/4 | Black | .750(19.1) | .650(16.5) | .590(15.0) | 1.14(29.0) | .630(16.0) | .510(13.0) | .430(10.9) |
| 3-1437621-3 | KAS900A1/4 | Natural | .940(23.9) | .820(20.8) | .710(18.0) | 1.40(35.6) | .630(16.0) | .510(13.0) | .430(10.9) |
| 3-1437621-4 | KAS900B1/4 | Black | .940(23.9) | .820(20.8) | .710(18.0) | 1.40(35.6) | .630(16.0) | .510(13.0) | .430(10.9) |

Knobs, Machined Aluminum



KB SERIES



KB500A1/4



KB900B1/4

| Tyco | | Control Knob with Straight Knurl and Top Line Indicator | | | | | | | |
|-------------|------------|---|------------|------------|------------|------------|------------|------------|------------|
| Electronics | Alcoswitch | Color | A | B | C | D | E | F | G |
| 3-1437621-6 | KB500A1/8 | Natural | .500(12.7) | .433(11.0) | .394(10.0) | .472(12.0) | .787(20.0) | .630(16.0) | .610(15.5) |
| 3-1437621-5 | KB500A1/4 | Natural | .500(12.7) | .433(11.0) | .394(10.0) | .472(12.0) | .787(20.0) | .630(16.0) | .610(15.5) |
| 3-1437621-9 | KB500B1/8 | Black | .500(12.7) | .433(11.0) | .394(10.0) | .472(12.0) | .787(20.0) | .630(16.0) | .610(15.5) |
| 3-1437621-8 | KB500B1/4 | Black | .500(12.7) | .433(11.0) | .394(10.0) | .472(12.0) | .787(20.0) | .630(16.0) | .610(15.5) |
| 4-1437621-0 | KB700A1/4 | Natural | .750(19.0) | .673(17.1) | .581(15.0) | .705(17.9) | .787(20.0) | .630(16.0) | .610(15.5) |
| 4-1437621-2 | KB700B1/4 | Black | .750(19.0) | .673(17.1) | .581(15.0) | .705(17.9) | .787(20.0) | .630(16.0) | .610(15.5) |
| 4-1437621-4 | KB900A1/4 | Natural | .930(23.6) | .866(22.0) | .710(18.0) | .902(22.9) | .787(20.0) | .630(16.0) | .610(15.5) |
| 4-1437621-5 | KB900B1/4 | Black | .930(23.6) | .866(22.0) | .710(18.0) | .902(22.9) | .787(20.0) | .630(16.0) | .610(15.5) |



KBS SERIES



KBS500A101/4

| Tyco | | Control Knob with Straight Knurl and Skirt | | | | | | | |
|--------------------------------|--------------|--|------------|------------|------------|------------|------------|------------|------------|
| Electronics | Alcoswitch | Color | A | B | C | D | E | F | G |
| With 0-9 Numerals (36°) | | | | | | | | | |
| 4-1437621-9 | KBS500A101/8 | Natural | .500(12.7) | .433(11.0) | .708(18.0) | 1.00(25.4) | .950(24.1) | .826(21.0) | .655(16.7) |
| | KBS500A101/4 | Natural | .500(12.7) | .433(11.0) | .708(18.0) | 1.00(25.4) | .950(24.1) | .826(21.0) | .655(16.7) |
| 5-1437621-3 | KBS500B101/8 | Black | .500(12.7) | .433(11.0) | .708(18.0) | 1.00(25.4) | .950(24.1) | .826(21.0) | .655(16.7) |
| 5-1437621-2 | KBS500B101/4 | Black | .500(12.7) | .433(11.0) | .708(18.0) | 1.00(25.4) | .950(24.1) | .826(21.0) | .655(16.7) |
| With Indicator Line | | | | | | | | | |
| 4-1437621-8 | KBS500A1/8 | Natural | .500(12.7) | .433(11.0) | .708(18.0) | 1.00(25.4) | .950(24.1) | .826(21.0) | .655(16.7) |
| 4-1437621-7 | KBS500A1/4 | Natural | .500(12.7) | .433(11.0) | .708(18.0) | 1.00(25.4) | .950(24.1) | .826(21.0) | .655(16.7) |
| 5-1437621-1 | KBS500B1/8 | Black | .500(12.7) | .433(11.0) | .708(18.0) | 1.00(25.4) | .950(24.1) | .826(21.0) | .655(16.7) |
| 5-1437621-0 | KBS500B1/4 | Black | .500(12.7) | .433(11.0) | .708(18.0) | 1.00(25.4) | .950(24.1) | .826(21.0) | .655(16.7) |



KCB SERIES



KCB500A1/4



KCB700B1/4

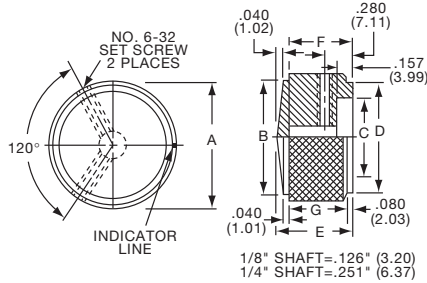
| Tyco | | Control Knob with Sawcut Indicator | | | | | | | |
|-------------|------------|------------------------------------|------------|------------|------------|------------|------------|------------|------------|
| Electronics | Alcoswitch | Color | A | B | C | D | E | F | G |
| 5-1437621-7 | KCB500A1/8 | Natural | .500(12.7) | .197(5.08) | .374(9.50) | .126(3.20) | .118(3.00) | .335(8.51) | .750(19.1) |
| 5-1437621-6 | KCB500A1/4 | Natural | .500(12.7) | .197(5.08) | .374(9.50) | .126(3.20) | .118(3.00) | .335(8.51) | .750(19.1) |
| 5-1437621-9 | KCB500B1/8 | Black | .500(12.7) | .197(5.08) | .374(9.50) | .126(3.20) | .118(3.00) | .335(8.51) | .750(19.1) |
| 5-1437621-8 | KCB500B1/4 | Black | .500(12.7) | .197(5.08) | .374(9.50) | .126(3.20) | .118(3.00) | .335(8.51) | .750(19.1) |
| 6-1437621-0 | KCB600A1/8 | Natural | .618(15.7) | .197(5.08) | .394(10.0) | .126(3.20) | .118(3.00) | .335(8.51) | .750(19.1) |
| | KCB600A1/4 | Natural | .618(15.7) | .197(5.08) | .394(10.0) | .126(3.20) | .118(3.00) | .335(8.51) | .750(19.1) |
| 6-1437621-2 | KCB600B1/8 | Black | .618(15.7) | .197(5.08) | .394(10.0) | .126(3.20) | .118(3.00) | .335(8.51) | .750(19.1) |
| 6-1437621-1 | KCB600B1/4 | Black | .618(15.7) | .197(5.08) | .394(10.0) | .126(3.20) | .118(3.00) | .335(8.51) | .750(19.1) |
| 6-1437621-3 | KCB700A1/4 | Natural | .746(18.8) | .197(5.08) | .512(13.0) | .250(6.35) | .118(3.00) | .335(8.51) | .898(22.8) |
| 6-1437621-4 | KCB700B1/4 | Black | .746(18.8) | .197(5.08) | .512(13.0) | .250(6.35) | .118(3.00) | .335(8.51) | .898(22.8) |
| 6-1437621-5 | KCB900A1/4 | Natural | .937(23.8) | .197(5.08) | .709(18.0) | .250(6.35) | .118(3.00) | .335(8.51) | .898(22.8) |
| 6-1437621-7 | KCB900B1/4 | Black | .937(23.8) | .197(5.08) | .709(18.0) | .250(6.35) | .118(3.00) | .335(8.51) | .898(22.8) |

Knobs, Machined Aluminum

KD SERIES



KD1250B1/4



| Tyco Diamond Knurl with Indicator Line | | | | | | | | | |
|---|------------|---------|------------|------------|------------|------------|------------|------------|------------|
| Electronics | Alcoswitch | Color | A | B | C | D | E | F | G |
| 7-1437621-1 | KD500A1/8 | Natural | .500(12.7) | .430(10.9) | .380(9.65) | .430(10.9) | .630(16.0) | .510(13.0) | .470(11.9) |
| 7-1437621-0 | KD500A1/4 | Natural | .500(12.7) | .430(10.9) | .380(9.65) | .430(10.9) | .630(16.0) | .510(13.0) | .470(11.9) |
| 7-1437621-3 | KD500B1/8 | Black | .500(12.7) | .430(10.9) | .380(9.65) | .430(10.9) | .630(16.0) | .510(13.0) | .470(11.9) |
| 7-1437621-2 | KD500B1/4 | Black | .500(12.7) | .430(10.9) | .380(9.65) | .430(10.9) | .630(16.0) | .510(13.0) | .470(11.9) |
| 7-1437621-4 | KD700A1/4 | Natural | .750(19.1) | .660(16.8) | .590(15.0) | .660(16.8) | .630(16.0) | .510(13.0) | .470(11.9) |
| 7-1437621-5 | KD700B1/4 | Black | .750(19.1) | .660(16.8) | .590(15.0) | .660(16.8) | .630(16.0) | .510(13.0) | .470(11.9) |
| 7-1437621-6 | KD900A1/4 | Natural | .940(23.9) | .820(20.8) | .710(18.0) | .820(20.8) | .630(16.0) | .510(13.0) | .470(11.9) |
| 7-1437621-7 | KD900B1/4 | Black | .940(23.9) | .820(20.8) | .710(18.0) | .820(20.8) | .630(16.0) | .510(13.0) | .470(11.9) |
| 6-1437621-8 | KD1250A1/4 | Natural | 1.25(31.8) | 1.11(28.2) | .980(24.9) | 1.11(28.2) | .750(19.1) | .630(16.0) | .590(15.0) |
| 6-1437621-9 | KD1250B1/4 | Black | 1.25(31.8) | 1.11(28.2) | .980(24.9) | 1.11(28.2) | .750(19.1) | .630(16.0) | .590(15.0) |

KE SERIES



KE900AB1/4



KE500AB1/4

| Tyco Knurl Grip with Top Dot Indicator | | | | | | | | | |
|---|-------------|-------------|------------|------------|------------|------------|------------|------------|--|
| Electronics | Alcoswitch | Color | A | B | C | D | E | F | |
| 8-1437621-0 | KE500AB1/8 | Ntl. - Blk. | .500(12.7) | .126(3.20) | .382(9.70) | .460(11.7) | .625(15.9) | .512(13.0) | |
| 7-1437621-9 | KE500AB1/4 | Ntl. - Blk. | .500(12.7) | .126(3.20) | .382(9.70) | .460(11.7) | .625(15.9) | .512(13.0) | |
| 8-1437621-1 | KE700AB1/4 | Ntl. - Blk. | .740(18.8) | .251(6.38) | .630(16.0) | .708(18.0) | .625(15.9) | .512(13.0) | |
| 8-1437621-2 | KE900AB1/4 | Ntl. - Blk. | .93(23.8) | .251(6.38) | .787(20.0) | .900(22.9) | .625(15.9) | .512(13.0) | |
| 7-1437621-8 | KE1250AB1/4 | Ntl. - Blk. | 1.25(31.8) | .251(6.38) | 1.06(26.9) | 1.17(29.7) | .625(15.9) | .512(13.0) | |

KES SERIES



KES500AB1/4



| Tyco Knurl Grip with Dot Indicator on Skirt | | | | | | | | | |
|--|-------------|-------------|------------|------------|------------|------------|------------|------------|--|
| Electronics | Alcoswitch | Color | A | B | C | D | E | F | |
| 8-1437621-4 | KES500AB1/8 | Ntl. - Blk. | .500(12.7) | .460(11.7) | .382(9.70) | .750(19.1) | .625(15.9) | .512(13.0) | |
| 8-1437621-3 | KES500AB1/4 | Ntl. - Blk. | .500(12.7) | .460(11.7) | .382(9.70) | .750(19.1) | .625(15.9) | .512(13.0) | |
| 8-1437621-5 | KES700AB1/4 | Ntl. - Blk. | .750(19.1) | .710(18.1) | .630(16.0) | 1.13(28.7) | .625(15.9) | .512(13.0) | |
| | KES900AB1/4 | Ntl. - Blk. | .937(23.8) | .897(22.8) | .787(20.0) | 1.44(36.6) | .625(15.9) | .512(13.0) | |

K

K Series

K6

Knobs, Machined Aluminum

KFS SERIES



KFS400B1/8

| Tyco | | | Straight Knurl with Indicator on Skirt | | | | | | |
|-------------|------------|-------------|--|------------|------------|------------|------------|------------|-------------|
| Electronics | Alcoswitch | Color | A | B | C | D | E | F | G |
| 8-1437621-6 | KFS400B1/8 | Black Matte | .380(9.65) | .382(9.70) | .256(6.50) | .500(12.7) | .098(2.49) | .469(11.9) | .591(15.0) |
| 8-1437621-8 | KFS500B1/8 | Black Matte | .500(12.7) | .382(9.70) | .252(6.48) | .630(16.0) | .161(4.09) | .469(11.9) | .630(16.0) |
| 8-1437621-7 | KFS500B1/4 | Black Matte | .618(15.7) | .280(7.11) | .382(9.70) | 1.00(25.4) | .161(4.09) | .630(16.0) | 0.811(20.6) |
| 8-1437621-9 | KFS600B1/4 | Black Matte | .618(15.7) | .280(7.11) | .382(9.70) | 1.00(25.4) | .161(4.09) | .630(16.0) | 0.811(20.6) |

KHF SERIES



KHF500A1/4



KHF900A1/4

| Tyco | | | Plain Body with Top and Side Sawcut Indicator | | | | |
|--------------|-------------|---------|---|------------|------------|------------|------------|
| Electronics | Alcoswitch | Color | A | B | C | D | E |
| 9-1437621-1 | KHF500A1/4 | Natural | .500(12.7) | .374(9.50) | .118(3.00) | .342(8.69) | .563(14.3) |
| 9-1437621-2 | KHF700A1/4 | Natural | .740(18.8) | .590(15.0) | .118(3.00) | .592(15.0) | .563(14.3) |
| 9-1437621-3 | KHF900A1/4 | Natural | .937(23.8) | .708(18.0) | .118(3.00) | .779(19.8) | .563(14.3) |
| *9-1437621-0 | KHF1250A1/4 | Natural | 1.23(31.8) | .984(25.0) | .118(3.00) | 1.08(27.5) | .563(14.3) |

KLN SERIES

| Tyco | | | Straight Knurl with Top and Side Indicator | | | | | | |
|-------------|-------------|---------|--|--------------|-------------|------------|------------|------------|------------|
| Electronics | Alcoswitch | Color | A | B | C | D | E | F | G |
| 9-1437621-7 | KLN500A1/8 | Natural | .500(12.7) | 0.445(11.3) | .374(9.50) | .281(7.14) | .625(15.9) | .512(13.0) | .527(13.4) |
| 9-1437621-6 | KLN500A1/4 | Natural | .500(12.7) | 0.445(11.3) | .374(9.50) | .281(7.14) | .625(15.9) | .512(13.0) | .527(13.4) |
| 9-1437621-9 | KLN500B1/8 | Black | .500(12.7) | 0.445(11.3) | .374(9.50) | .281(7.14) | .625(15.9) | .512(13.0) | .527(13.4) |
| 9-1437621-8 | KLN500B1/4 | Black | .500(12.7) | 0.445(11.3) | .374(9.50) | .281(7.14) | .625(15.9) | .512(13.0) | .527(13.4) |
| 1437622-1 | KLN500S1/4 | Smoke | .500(12.7) | 0.445(11.3) | .374(9.50) | .281(7.14) | .625(15.9) | .512(13.0) | .527(13.4) |
| 1437622-2 | KLN700A1/4 | Natural | .740(18.8) | .685(17.4) | .591(15.0) | .281(7.14) | .625(15.9) | .512(13.0) | .527(13.4) |
| 1437622-3 | KLN700B1/4 | Black | .740(18.8) | .685(17.4) | .591(15.0) | .281(7.14) | .625(15.9) | .512(13.0) | .527(13.4) |
| 1437622-4 | KLN700B1/8 | Black | .740(18.8) | .685(17.4) | .591(15.0) | .281(7.14) | .625(15.9) | .512(13.0) | .527(13.4) |
| 1437622-5 | KLN700S1/4 | Smoke | .740(18.8) | .685(17.4) | .591(15.0) | .281(7.14) | .625(15.9) | .512(13.0) | .527(13.4) |
| 1437622-6 | KLN900A1/4 | Natural | .937(23.8) | .882(22.4) | 0.709(18.0) | .281(7.14) | .625(15.9) | .512(13.0) | .527(13.4) |
| 1437622-7 | KLN900B1/4 | Black | .937(23.8) | .882(22.4) | 0.709(18.0) | .281(7.14) | .625(15.9) | .512(13.0) | .527(13.4) |
| 1437622-8 | KLN900S1/4 | Smoke | .937(23.8) | .882(22.4) | 0.709(18.0) | .281(7.14) | .625(15.9) | .512(13.0) | .527(13.4) |
| 9-1437621-4 | KLN1250A1/4 | Natural | 1.252(31.80) | 1.195(30.35) | .984(25.0) | .281(7.14) | .625(15.9) | .512(13.0) | .527(13.4) |
| 9-1437621-5 | KLN1250B1/4 | Black | 1.252(31.80) | 1.195(30.35) | .984(25.0) | .281(7.14) | .625(15.9) | .512(13.0) | .527(13.4) |



KLN500A1/4

Knobs, Machined Aluminum

KLNS SERIES



KLNS500B1/8



KLNS900B1/4

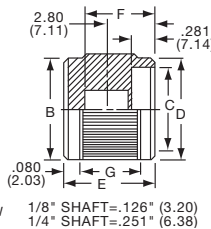


| Tyco Straight Knurl with Indicator Line on Top, Side and Skirt | | | | | | | | |
|--|-------------|---------|------------|------------|------------|------------|------------|------------|
| Electronics | Alcoswitch | Color | A | B | C | D | E | G |
| 1-1437622-6 | KLNS500A1/8 | Natural | .500(12.7) | .280(7.11) | .380(9.65) | .750(19.0) | .160(4.07) | .630(16.0) |
| 1-1437622-5 | KLNS500A1/4 | Natural | .500(12.7) | .280(7.11) | .380(9.65) | .750(19.0) | .160(4.07) | .630(16.0) |
| 1-1437622-8 | KLNS500B1/8 | Black | .500(12.7) | .280(7.11) | .380(9.65) | .750(19.0) | .160(4.07) | .630(16.0) |
| 1-1437622-7 | KLNS500B1/4 | Black | .500(12.7) | .280(7.11) | .380(9.65) | .750(19.0) | .160(4.07) | .630(16.0) |
| 2-1437622-0 | KLNS700A1/4 | Natural | .750(19.0) | .280(7.11) | .590(14.9) | 1.13(28.7) | .160(4.07) | .630(16.0) |
| 2-1437622-1 | KLNS700B1/4 | Black | .750(19.0) | .280(7.11) | .590(14.9) | 1.13(28.7) | .160(4.07) | .630(16.0) |
| 2-1437622-2 | KLNS900A1/4 | Natural | .940(23.9) | .280(7.11) | .710(18.0) | 1.40(35.5) | .160(4.07) | .630(16.0) |
| 2-1437622-3 | KLNS900B1/4 | Black | .940(23.9) | .280(7.11) | .710(18.0) | 1.40(35.5) | .160(4.07) | .630(16.0) |

KN SERIES



KN501A1/4



NO. 6-32 SET SCREW 2 PLACES
1/8" SHAFT=.126" (3.20)
1/4" SHAFT=.251" (6.38)



ARROW INDICATOR

| Tyco Straight Knurl with Arrowhead Indicator | | | | | | | | |
|--|------------|-------------|-----------------|------------|------------|------------|------------|------------|
| Electronics | Alcoswitch | Color | A | B | C | D | E | G |
| 5-1437622-1 | KN501A1/8 | Natural | .500(12.7) | .445(11.3) | .374(9.50) | .445(11.3) | .625(15.9) | .512(13.0) |
| 5-1437622-0 | KN501A1/4 | Natural | .500(12.7) | .445(11.3) | .374(9.50) | .445(11.3) | .625(15.9) | .512(13.0) |
| 5-1437622-3 | KN501B1/8 | Black | .500(12.7) | .445(11.3) | .374(9.50) | .445(11.3) | .625(15.9) | .512(13.0) |
| 5-1437622-2 | KN501B1/4 | Black | .500(12.7) | .445(11.3) | .374(9.50) | .445(11.3) | .625(15.9) | .512(13.0) |
| 6-1437622-2 | KN701A1/4 | Natural | .750(19.1) | .695(17.7) | .590(15.0) | .695(17.7) | .625(15.9) | .512(13.0) |
| 6-1437622-3 | KN701B1/4 | Black | .750(19.1) | .695(17.7) | .590(15.0) | .695(17.7) | .625(15.9) | .512(13.0) |
| Two Toned | | | Body-Top | | | | | |
| 5-1437622-5 | KN501BA1/8 | Blk. - Ntl. | .500(12.7) | .445(11.3) | .374(9.50) | .445(11.3) | .625(15.9) | .512(13.0) |
| 5-1437622-4 | KN501BA1/4 | Blk. - Ntl. | .500(12.7) | .445(11.3) | .374(9.50) | .445(11.3) | .625(15.9) | .512(13.0) |
| 6-1437622-5 | KN701BA1/8 | Blk. - Ntl. | .750(19.1) | .695(17.7) | .590(15.0) | .695(17.7) | .625(15.9) | .512(13.0) |
| 6-1437622-4 | KN701BA1/4 | Blk. - Ntl. | .750(19.1) | .695(17.7) | .590(15.0) | .695(17.7) | .625(15.9) | .512(13.0) |

KN SERIES



KN1751AS1/4



KN1751B1/4



1/4" SHAFT=.251" (6.38)

| Tyco Straight Knurl with & without "Fingertip" Spinner | | | | | | | | |
|--|-------------|----------------|------------|------------|------------|------------|------------|------------|
| Electronics | Alcoswitch | Color | A | B | C | D | E | G |
| Less Indicator | | | | | | | | |
| 3-1437622-2 | KN1751A1/4 | Natural | 1.75(44.5) | 1.55(39.4) | 1.38(35.1) | 1.65(41.9) | .620(15.0) | .508(12.9) |
| 3-1437622-6 | KN1751B1/4 | Black | 1.75(44.5) | 1.55(39.4) | 1.38(35.1) | 1.65(41.9) | .620(15.8) | .508(12.9) |
| Two Toned | | | | | | | | |
| 3-1437622-3 | KN1751AB1/4 | Ntl. - Blk. | 1.75(44.5) | 1.55(39.4) | 1.38(35.1) | 1.65(41.9) | .620(15.8) | .508(12.9) |
| 3-1437622-7 | KN1751BA1/4 | Blk. - Natural | 1.75(44.5) | 1.55(39.4) | 1.38(35.1) | 1.65(41.9) | .620(15.8) | .508(12.9) |
| With Indicator | | | | | | | | |
| 3-1437622-5 | KN1750A1/4 | Natural | 1.75(44.5) | 1.55(39.4) | 1.38(35.1) | 1.65(41.9) | .620(15.8) | .508(12.9) |
| 3-1437622-1 | KN1750B1/4 | Black | 1.75(44.5) | 1.55(39.4) | 1.38(35.1) | 1.65(41.9) | .620(15.8) | .508(12.9) |
| With Spinner/Less Indicator | | | | | | | | |
| 3-1437622-5 | KN1751AS1/4 | Natural | 1.75(44.5) | 1.55(39.4) | 1.38(35.1) | 1.65(41.9) | .620(15.8) | .508(12.9) |
| 3-1437622-8 | KN1751BS1/4 | Black | 1.75(44.5) | 1.55(39.4) | 1.38(35.1) | 1.65(41.9) | .620(15.8) | .508(12.9) |

K

K Series

K8

Knobs, Machined Aluminum



KN SERIES



KN5700B1/4

| Concentric Set with Straight Knurl with Indicator Lines | | | | | | | | | |
|---|------------|---------|------------|------------|------------|------------|------------|------------|------------|
| Tyco Electronics | Alcoswitch | Color | A | B | C | D | E | F | G |
| 5-1437622-6 | KN5700A1/4 | Natural | .750(19.1) | .500(12.7) | .590(15.0) | .700(17.8) | .625(15.9) | 1.16(29.5) | .281(7.14) |
| 5-1437622-7 | KN5700B1/4 | Black | .750(19.1) | .500(12.7) | .590(15.0) | .700(17.8) | .625(15.9) | 1.16(29.5) | .281(7.14) |

Straight Knurl with & without Indicator Line Diameter Dimensions

| Tyco Electronics | Alcoswitch | Color Body-Top | A | B | C | D | E | F | G |
|-----------------------|-------------|----------------|------------|------------|------------|------------|------------|------------|------------|
| 4-1437622-3 | KN500A1/8 | Natural | .500(12.7) | .445(11.3) | .374(9.50) | .445(11.5) | .625(15.9) | .512(13.0) | .456(11.6) |
| 4-1437622-2 | KN500A1/4 | Natural | .500(12.7) | .445(11.3) | .374(9.50) | .445(11.5) | .625(15.9) | .512(13.0) | .456(11.6) |
| 4-1437622-7 | KN500B1/8 | Black | .500(12.7) | .445(11.3) | .374(9.50) | .445(11.5) | .625(15.9) | .512(13.0) | .456(11.6) |
| 4-1437622-6 | KN500B1/4 | Black | .500(12.7) | .445(11.3) | .374(9.50) | .445(11.5) | .625(15.9) | .512(13.0) | .456(11.6) |
| 5-1437622-8 | KN700A1/4 | Natural | .750(19.1) | .695(17.7) | .590(15.0) | .695(17.7) | .625(15.9) | .512(13.0) | .456(11.6) |
| 6-1437622-0 | KN700B1/4 | Black | .750(19.1) | .695(17.7) | .590(15.0) | .695(17.7) | .625(15.9) | .512(13.0) | .456(11.6) |
| 6-1437622-6 | KN900A1/4 | Natural | .949(24.1) | .894(22.7) | .696(17.7) | .894(22.7) | .625(15.9) | .512(13.0) | .456(11.6) |
| 6-1437622-8 | KN900B1/4 | Black | .949(24.1) | .894(22.7) | .696(17.7) | .894(22.7) | .625(15.9) | .512(13.0) | .456(11.7) |
| 2-1437622-5 | KN1250A1/4 | Natural | 1.25(31.8) | 1.20(30.5) | .984(25.0) | 1.20(30.5) | .625(15.9) | .512(13.0) | .456(11.6) |
| 2-1437622-7 | KN1250B1/4 | Black | 1.25(31.8) | 1.20(30.5) | .984(25.0) | 1.20(30.5) | .625(15.9) | .512(13.0) | .456(11.6) |
| Two-Toned | | | | | | | | | |
| 4-1437622-5 | KN500AB1/8 | Ntl - Blk. | .500(12.7) | .445(11.3) | .374(9.50) | .445(11.5) | .625(15.9) | .512(13.0) | .456(11.6) |
| 4-1437622-4 | KN500AB1/4 | Ntl - Blk. | .500(12.7) | .445(11.3) | .374(9.50) | .445(11.5) | .625(15.9) | .512(13.0) | .456(11.6) |
| 4-1437622-9 | KN500BA1/8 | Blk - Ntl. | .500(12.7) | .445(11.3) | .374(9.50) | .445(11.5) | .625(15.9) | .512(13.0) | .456(11.6) |
| 4-1437622-8 | KN500BA1/4 | Blk - Ntl. | .500(12.7) | .445(11.3) | .374(9.50) | .445(11.5) | .625(15.9) | .512(13.0) | .456(11.6) |
| 5-1437622-9 | KN700AB1/4 | Ntl - Blk. | .750(19.1) | .695(17.7) | .445(11.5) | .695(17.7) | .625(15.9) | .512(13.0) | .456(11.6) |
| 6-1437622-1 | KN700BA1/4 | Blk - Ntl. | .750(19.1) | .695(17.7) | .445(11.5) | .695(17.7) | .625(15.9) | .512(13.0) | .456(11.6) |
| 6-1437622-7 | KN900AB1/4 | Ntl - Blk. | .949(24.1) | .894(22.7) | .695(17.7) | .894(22.7) | .625(15.9) | .512(13.0) | .456(11.6) |
| 6-1437622-9 | KN900BA1/4 | Blk - Ntl. | .949(24.1) | .894(22.7) | .695(17.7) | .894(22.7) | .625(15.9) | .512(13.0) | .456(11.7) |
| 2-1437622-6 | KN1250AB1/4 | Ntl - Blk. | 1.25(31.8) | 1.20(30.5) | .984(25.0) | 1.20(30.5) | .625(15.9) | .512(13.0) | .456(11.6) |
| 2-1437622-8 | KN1250BA1/4 | Blk - Ntl. | 1.25(31.8) | 1.20(30.5) | .984(25.0) | 1.20(30.5) | .625(15.9) | .512(13.0) | .456(11.6) |
| Less Indicator | | | | | | | | | |
| 2-1437622-9 | KN1251A1/4 | Natural | 1.25(31.8) | 1.20(30.5) | .984(25.0) | 1.25(31.7) | .625(15.9) | .512(13.0) | .456(11.7) |
| 3-1437622-0 | KN1251B1/4 | Black | 1.25(31.8) | 1.20(30.5) | .984(25.0) | 1.25(31.7) | .625(15.9) | .512(13.0) | .456(11.7) |

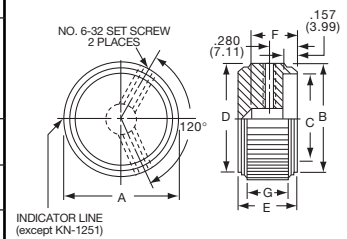
KN SERIES



KN500A1/4



KN900BA1/4



KN SERIES



KN1755BS1/4



| Straight Knurl with "Crank" Spinner | | | | | | | | | |
|-------------------------------------|--------------|---------------------|------------|------------|------------|------------|------------|------------|------------|
| Tyco Electronics | Alcoswitch | Color Body-Top/Spin | A | B | C | D | E | F | G |
| 4-1437622-1 | KN1755AS1/4 | Natural | 1.76(44.7) | 1.56(39.5) | .138(35.0) | 1.65(41.8) | .630(16.0) | .512(13.0) | .492(12.5) |
| | KN1755BS1/4 | Black | 1.76(44.7) | 1.56(39.5) | .138(35.0) | 1.65(41.8) | .630(16.0) | .512(13.0) | .492(12.5) |
| 3-1437622-9 | KN1755ABS1/4 | Ntl.-Blk./Blk. | 1.76(44.7) | 1.56(39.5) | 1.38(35.0) | 1.65(41.8) | .630(16.0) | .512(13.0) | .492(12.5) |
| 4-1437622-0 | KN1755BAS1/4 | Blk.-Ntl. Blk. | 1.76(44.7) | 1.56(39.5) | 1.38(35.0) | 1.65(41.8) | .630(16.0) | .512(13.0) | .492(12.5) |

Knobs, Machined Aluminum

KNS SERIES



KNS501A1/4



KNS701B1/4

KNS701BA1/4



| Tyco | | Straight Knurl with Arrowhead Indicator on Skirt | | | | | | | |
|---------------------------------|-------------|--|------------|------------|------------|------------|------------|------------|------------|
| Electronics | Alcoswitch | Color | A | B | C | D | E | F | G |
| 7-1437622-3 | KNS501A1/8 | Natural | .500(12.7) | .445(11.3) | .370(9.40) | .750(19.1) | .625(15.9) | .512(13.0) | .428(10.9) |
| 7-1437622-2 | KNS501A1/4 | Natural | .500(12.7) | .445(11.3) | .370(9.40) | .750(19.1) | .625(15.9) | .512(13.0) | .428(10.9) |
| 7-1437622-5 | KNS501B1/8 | Black | .500(12.7) | .445(11.3) | .370(9.40) | .750(19.1) | .625(15.9) | .512(13.0) | .428(10.9) |
| 7-1437622-4 | KNS501B1/4 | Black | .500(12.7) | .445(11.3) | .370(9.40) | .750(19.1) | .625(15.9) | .512(13.0) | .428(10.9) |
| 7-1437622-8 | KNS701A1/4 | Natural | .750(19.1) | .695(17.7) | .590(15.0) | 1.12(28.5) | .625(15.9) | .512(13.0) | .428(10.9) |
| 7-1437622-9 | KNS701B1/4 | Black | .750(19.1) | .695(17.7) | .590(15.0) | 1.12(28.5) | .625(15.9) | .512(13.0) | .428(10.9) |
| Two-Toned Body-Top/Skirt | | | | | | | | | |
| 7-1437622-7 | KNS501BA1/8 | Blk.- Ntl. | .500(12.7) | .695(17.7) | .370(9.40) | .750(19.1) | .625(15.9) | .512(13.0) | .428(10.9) |
| 7-1437622-6 | KNS501BA1/4 | Blk.- Ntl. | .500(12.7) | .695(17.7) | .370(9.40) | .750(19.1) | .625(15.9) | .512(13.0) | .428(10.9) |
| 8-1437622-1 | KNS701BA1/8 | Blk.- Ntl. | .750(19.1) | .695(17.7) | .590(15.0) | 1.12(28.5) | .625(15.9) | .512(13.0) | .428(10.9) |
| 8-1437622-0 | KNS701BA1/4 | Blk.- Ntl. | .750(19.1) | .695(17.7) | .590(15.0) | 1.12(28.5) | .625(15.9) | .512(13.0) | .428(10.9) |

KPN SERIES



KPN500B1/8



| Tyco | | Straight Knurl with Pointer and Indicator Line | | | | | | | | |
|-------------|------------|--|------------|-------------|------------|------------|------------|------------|------------|---|
| Electronics | Alcoswitch | Color | Body-Top | A | B | C | D | E | F | G |
| 9-1437622-1 | KPN500A1/8 | Natural | .500(12.7) | .445(11.3) | .372(9.45) | .445(11.3) | .368(9.35) | .195(4.95) | .354(8.99) | |
| 9-1437622-0 | KPN500A1/4 | Natural | .500(12.7) | .445(11.3) | .372(9.45) | .445(11.3) | .368(9.35) | .195(4.95) | .354(8.99) | |
| 9-1437622-3 | KPN500B1/8 | Black | .500(12.7) | .445(11.3) | .372(9.45) | .445(11.3) | .368(9.35) | .195(4.95) | .354(8.99) | |
| 9-1437622-2 | KPN500B1/4 | Black | .500(12.7) | .445(11.3) | .372(9.45) | .445(11.3) | .368(9.35) | .195(4.95) | .354(8.99) | |
| 9-1437622-5 | KPN700A1/4 | Natural | .750(19.1) | .695(17.65) | .590(15.0) | .695(17.7) | .515(13.1) | .234(5.94) | .394(10.0) | |
| 9-1437622-6 | KPN700B1/4 | Black | .750(19.1) | .695(17.65) | .590(15.0) | .695(17.7) | .515(13.1) | .234(5.94) | .394(10.0) | |
| 9-1437622-7 | KPN900A1/4 | Natural | .937(23.8) | .882(22.40) | .692(17.6) | .882(22.4) | .630(16.0) | .276(7.01) | .350(8.90) | |
| 9-1437622-9 | KPN900B1/4 | Black | .937(23.8) | .882(22.40) | .692(17.6) | .882(22.4) | .630(16.0) | .276(7.01) | .350(8.90) | |

KS SERIES



KS500A1/4



| Tyco | | 3 Flute Design with Aluminum Skirt and Indicator Line | | | | | | | |
|-------------|------------|---|------------|------------|------------|------------|------------|------------|------------|
| Electronics | Alcoswitch | Color | A | B | C | D | E | F | G |
| 1437623-3 | KS500A1/8 | Natural | .500(12.7) | .430(10.9) | .360(9.14) | .750(19.1) | .620(15.8) | .510(13.0) | .430(10.9) |
| 1437623-2 | KS500A1/4 | Natural | .500(12.7) | .430(10.9) | .360(9.14) | .750(19.1) | .620(15.8) | .510(13.0) | .430(10.9) |
| 1437623-5 | KS500B1/8 | Black | .500(12.7) | .430(10.9) | .360(9.14) | .750(19.1) | .620(15.8) | .510(13.0) | .430(10.9) |
| 1437623-4 | KS500B1/4 | Black | .500(12.7) | .430(10.9) | .360(9.14) | .750(19.1) | .620(15.8) | .510(13.0) | .430(10.9) |
| 1437623-6 | KS700A1/4 | Natural | .750(19.0) | .650(16.5) | .590(14.9) | 1.12(28.4) | .620(15.8) | .510(13.0) | .430(10.9) |
| 1437623-7 | KS700B1/4 | Black | .750(19.0) | .650(16.5) | .590(14.9) | 1.12(28.4) | .620(15.8) | .510(13.0) | .430(10.9) |
| 1437623-8 | KS900A1/4 | Natural | .940(23.9) | .820(20.8) | .710(18.0) | 1.40(35.6) | .620(15.8) | .510(13.0) | .430(10.9) |
| 1437623-9 | KS900B1/4 | Black | .940(23.9) | .820(20.8) | .710(18.0) | 1.40(35.6) | .620(15.8) | .510(13.0) | .430(10.9) |



KS900B1/4

K Series

K10

Knobs, Machined Aluminum



KT SERIES



KT500A1/4



KT700A1/4

| Tyco | | Square Serration with Indicator Line | | | | | | | |
|-------------|------------|--------------------------------------|------------|------------|------------|------------|------------|------------|------------|
| Electronics | Alcoswitch | Color | A | B | C | D | E | F | G |
| 1-1437623-2 | KT500A1/4 | Natural | .500(12.7) | .430(10.9) | .375(9.53) | .430(10.9) | .280(7.11) | .510(13.0) | .630(16.0) |
| 1-1437623-4 | KT500B1/8 | Black | .500(12.7) | .430(10.9) | .375(9.53) | .430(10.9) | .280(7.11) | .510(13.0) | .630(16.0) |
| 1-1437623-3 | KT500B1/4 | Black | .500(12.7) | .430(10.9) | .375(9.53) | .430(10.9) | .280(7.11) | .510(13.0) | .630(16.0) |
| 1-1437623-6 | KT700A1/4 | Natural | .740(18.8) | .650(16.5) | .590(15.0) | .650(16.5) | .280(7.11) | .510(13.0) | .630(16.0) |
| 1-1437623-7 | KT700B1/4 | Black | .740(18.8) | .650(16.5) | .590(15.0) | .650(16.5) | .280(7.11) | .510(13.0) | .630(16.0) |
| 1-1437623-8 | KT900A1/4 | Natural | .940(23.9) | .816(20.7) | .710(18.0) | .816(20.7) | .280(7.11) | .510(13.0) | .630(16.0) |
| 1-1437623-9 | KT900B1/4 | Black | .940(23.9) | .816(20.7) | .710(18.0) | .816(20.7) | .280(7.11) | .510(13.0) | .630(16.0) |



KU SERIES



KU402B1/8

| Tyco | | Serrated Diamond Trim Cut with Dot Indicator | | | | | | | |
|-------------|------------|--|------------|------------|------------|------------|------------|------------|-------------|
| Electronics | Alcoswitch | Color | A | B | C | D | E | F | G |
| 2-1437623-1 | KU401B1/8 | Black | .374(9.50) | .283(7.19) | .276(7.01) | .098(2.49) | .177(4.50) | .236(5.99) | .299(7.60) |
| 2-1437623-2 | KU402B1/8 | Black | .374(9.50) | .283(7.19) | .276(7.01) | .098(2.49) | .197(5.00) | .354(8.99) | .449(11.40) |
| 2-1437623-3 | KU500B1/8 | Black | .500(12.7) | .409(10.4) | .374(9.50) | .118(3.00) | .276(7.01) | .512(13.0) | .598(15.2) |
| | KU500B1/4 | Black | .500(12.7) | .409(10.4) | .374(9.50) | .118(3.00) | .276(7.01) | .512(13.0) | .598(15.2) |
| 2-1437623-4 | KU700B1/4 | Black | .740(18.8) | .650(16.5) | .591(15.0) | .118(3.00) | .276(7.01) | .512(13.0) | .598(15.2) |



KUS SERIES



KUS402B1/8



KUS700B1/4

| Tyco | | Serrated Diamond Trim Cut with Dot Indicator | | | | | | | |
|-------------|------------|--|------------|------------|------------|------------|------------|------------|------------|
| Electronics | Alcoswitch | Color | A | B | C | D | E | F | G |
| 2-1437623-9 | KUS402B1/8 | Black | .374(9.50) | .197(5.00) | .276(7.01) | .520(13.2) | .098(2.49) | .450(11.4) | .354(8.99) |
| 3-1437623-0 | KUS500B1/8 | Black | .500(12.7) | .276(7.01) | .374(9.50) | .700(17.8) | .118(3.00) | .600(15.2) | .512(13.0) |
| | KUS500B1/4 | Black | .500(12.7) | .276(7.01) | .374(9.50) | .700(17.8) | .118(3.00) | .600(15.2) | .512(13.0) |
| 3-1437623-1 | KUS700B1/4 | Black | .740(18.8) | .276(7.01) | .591(15.0) | 1.03(26.2) | .118(3.00) | .600(15.2) | .512(13.0) |

Note: KUS402B1/8 has #4.40 setscrew

Knobs, Molded Phenolic

PH SERIES



PH15181/4



| Tyco | | Straight Knurl Less Indicator Line | | | | | |
|-------------|------------|------------------------------------|------------|------------|------------|------------|------------|
| Electronics | Alcoswitch | A | B | C | D | E | F |
| 1437624-2 | PH15181/4 | .996(25.3) | .972(24.7) | .799(20.3) | .472(12.0) | .669(17.0) | .157(3.99) |

PK SERIES



PK50B1/8



PK701/4



| Tyco | | Straight Knurl with Dot Indicator on Skirt | | | | | |
|-------------|------------|--|------------|-------------|------------|------------|-------------|
| Electronics | Alcoswitch | A | B | C | D | E | F |
| 1437624-7 | PK50B1/8 | .748(19.0) | .570(14.5) | .500(12.70) | .055(1.40) | .460(11.7) | .550(13.97) |
| 1437624-6 | PK50B1/4 | .748(19.0) | .570(14.5) | .500(12.70) | .055(1.40) | .460(11.7) | .550(13.97) |
| 1437624-8 | PK70B1/4 | .984(25.0) | .728(18.5) | .710(18.03) | .079(2.01) | .500(12.7) | .590(14.99) |
| 1437624-9 | PK90B1/4 | 1.25(31.8) | .985(25.0) | .870(22.01) | .098(2.49) | .470(11.9) | .595(15.10) |

PK SERIES



PK1100B1/4

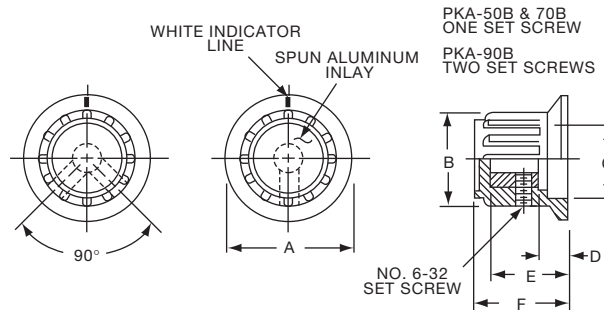


| Tyco | | Serrated with Dot Indicator on Top | | | | | |
|-------------|------------|------------------------------------|------------|-------------|------------|-------------|------------|
| Electronics | Alcoswitch | A | B | C | D | E | F |
| 1437624-4 | PK1100B1/8 | .700(17.8) | .643(16.3) | .565(14.35) | .125(3.18) | .453(11.51) | .530(13.5) |

K

P Series

Knobs, Molded Phenolic



PKA SERIES



PKA50B1/4



PKA90B1/4

| Tyco Electronics Alcoswitch | | Ribbed with Line Indicator on Skirt | | | | | |
|-----------------------------|-----------|-------------------------------------|------------|------------|------------|------------|------------|
| | | A | B | C | D | E | F |
| 1-1437624-1 | PKA50B1/8 | .795(20.2) | .580(14.7) | .540(13.7) | .080(2.03) | .450(11.4) | .590(15.0) |
| 1-1437624-0 | PKA50B1/4 | .795(20.2) | .580(14.7) | .540(13.7) | .080(2.03) | .450(11.4) | .590(15.0) |
| 1-1437624-4 | PKA55B1/8 | .780(19.8) | .580(14.7) | .475(12.1) | .135(3.43) | .585(14.9) | .675(17.2) |
| 1-1437624-3 | PKA55B1/4 | .780(19.8) | .580(14.7) | .475(12.1) | .135(3.43) | .585(14.9) | .675(17.2) |
| 1-1437624-5 | PKA70B1/4 | .980(24.9) | .740(18.8) | .680(17.3) | .118(3.00) | .650(16.5) | .750(19.1) |
| 1-1437624-7 | PKA90B1/4 | 1.375(34.9) | .970(24.6) | .670(17.0) | .195(4.95) | .750(19.1) | .840(21.3) |



PKAP SERIES



PKAP50B1/8



PKAP90B1/4

| Tyco Electronics Alcoswitch | | Ribbed with Skirt and Pointer with Indicator Line | | | | | |
|-----------------------------|------------|---|------------|------------|------------|------------|-------------|
| | | A | B | C | D | E | F |
| 1-1437624-8 | PKAP50B1/4 | .787(20.0) | .693(17.6) | .508(12.9) | .082(2.08) | .579(14.7) | .689(17.5) |
| 1-1437624-9 | PKAP50B1/8 | .787(20.0) | .693(17.6) | .508(12.9) | .082(2.08) | .579(14.7) | .689(17.5) |
| 2-1437624-0 | PKAP70B1/4 | .976(24.8) | .874(22.1) | .668(17.0) | .158(4.01) | .634(16.1) | .737(18.72) |

Knobs, Molded Phenolic

PKB SERIES



PKB90B1/4



| | | Fluted with Indicator Line On Skirt | | | | | |
|------------------|------------|-------------------------------------|------------|------------|-----------|------------|------------|
| Tyco Electronics | Alcoswitch | A | B | C | D | E | F |
| 2-1437624-3 | PKB70B1/4 | 1.12(28.3) | .750(19.1) | .670(17.0) | .118(3.0) | .490(12.5) | .600(15.2) |
| 2-1437624-4 | PKB90B1/4 | 1.50(38.1) | 1.02(25.8) | .800(20.3) | .118(3.0) | .705(17.9) | .820(20.8) |

PKD SERIES



PKD60B1/4



PKD100B1/4



| | | Straight Knurl Aluminum Skirt w/Arrow Indicator | | | | | |
|------------------|------------|---|------------|------------|-----------|------------|------------|
| Tyco Electronics | Alcoswitch | A | B | C | D | E | F |
| 2-1437624-8 | PKD60B1/8 | .780(19.8) | .566(14.4) | .487(12.4) | .059(1.5) | .492(12.5) | .563(14.3) |
| 2-1437624-7 | PKD60B1/4 | .780(19.8) | .566(14.4) | .487(12.4) | .059(1.5) | .492(12.5) | .563(14.3) |
| 3-1437624-1 | PKD70B1/4 | 1.02(25.9) | .750(19.1) | .700(17.8) | .080(2.0) | .490(12.5) | .610(15.5) |
| 2-1437624-5 | PKD100B1/4 | 1.29(32.8) | 1.00(25.4) | .865(22.0) | .050(1.3) | .500(12.7) | .590(15.0) |

PKD SERIES



PKD60B101/8



PKD100B101/4



| | | Straight Knurl Skirt w/0-10 Numerals | | | | | |
|------------------|--------------|--------------------------------------|------------|------------|-----------|------------|------------|
| Tyco Electronics | Alcoswitch | A | B | C | D | E | F |
| 3-1437624-0 | PKD60B101/8 | .780(19.8) | .566(14.4) | .487(12.4) | .059(1.5) | .492(12.5) | .563(14.3) |
| 2-1437624-9 | PKD60B101/4 | .780(19.8) | .566(14.4) | .487(12.4) | .059(1.5) | .492(12.5) | .563(14.3) |
| 3-1437624-2 | PKD70B101/4 | 1.02(25.9) | .750(19.1) | .700(17.8) | .080(2.0) | .490(12.5) | .610(15.5) |
| 2-1437624-6 | PKD100B101/4 | 1.29(32.8) | 1.00(25.4) | .865(22.0) | .050(1.3) | .500(12.7) | .590(15.0) |

K

P Series

Knobs, Molded Phenolic



PKDT SERIES



PKDT100B1/4

| Tyco Black Spin Cap with "Diamond Cut" and Arrow Indicator | | | | | | | |
|---|-------------|------------|------------|------------|------------|------------|------------|
| Electronics | Alcoswitch | A | B | C | D | E | F |
| 3-1437624-9 | PKDT70B1/4 | 1.03(26.0) | .738(18.8) | .720(18.3) | .098(2.49) | .500(12.7) | .635(16.1) |
| 3-1437624-3 | PKDT100B1/4 | 1.29(32.8) | 1.02(25.9) | .860(21.8) | .042(1.07) | .500(12.7) | .638(16.2) |



PKDT SERIES



PKDT100B101/4

| Tyco Black Spin Cap with "Diamond Cut" & 0-10 Numerals | | | | | | | |
|---|---------------|------------|------------|------------|------------|------------|------------|
| Electronics | Alcoswitch | A | B | C | D | E | F |
| 3-1437624-8 | PKDT60B101/8 | .778(19.8) | .605(15.4) | .560(12.5) | .060(1.53) | .392(9.96) | .562(14.3) |
| 4-1437624-0 | PKDT70B101/4 | 1.03(26.0) | .738(18.8) | .720(18.3) | .098(2.49) | .500(12.7) | .635(16.1) |
| 3-1437624-4 | PKDT100B101/4 | 1.29(32.8) | 1.02(25.9) | .860(21.8) | .042(1.07) | .500(12.7) | .638(16.2) |



PKE SERIES



PKE90B1/4

| Tyco Fluted with Indicator Line | | | | | |
|------------------------------------|------------|------------|------------|------------|------------|
| Electronics | Alcoswitch | A | B | C | E |
| 4-1437624-4 | PKE60B1/8 | .626(15.9) | .472(12.0) | .091(2.31) | .472(12.0) |
| 4-1437624-3 | PKE60B1/4 | .626(15.9) | .472(12.0) | .091(2.31) | .394(10.0) |
| 4-1437624-5 | PKE90B1/4 | .890(22.6) | .724(18.4) | .098(2.49) | .480(12.2) |



PKES SERIES



PKES70B1/4

| Tyco Fluted with Skirt and Indicator Line | | | | | | | |
|--|-------------|------------|------------|------------|------------|------------|------------|
| Electronics | Alcoswitch | A | B | C | D | E | F |
| 5-1437624-1 | PKES60B1/8 | .748(19.0) | .618(15.7) | .460(11.7) | .090(2.29) | .370(9.40) | .470(11.9) |
| 5-1437624-0 | PKES60B1/4 | .748(19.0) | .618(15.7) | .460(11.7) | .090(2.29) | .370(9.40) | .470(11.9) |
| 5-1437624-2 | PKES70B1/4 | .855(21.7) | .744(18.9) | .705(17.9) | .080(2.03) | .421(10.7) | .526(13.4) |
| 5-1437624-3 | PKES90B1/4 | 1.01(25.7) | .889(22.6) | .846(21.5) | .079(2.01) | .421(10.7) | .570(14.5) |
| 4-1437624-6 | PKES120B1/4 | 1.30(32.9) | 1.16(29.5) | 1.02(25.9) | .118(3.00) | .500(12.7) | .628(16.0) |
| 4-1437624-7 | PKES140B1/4 | 1.50(38.1) | 1.37(34.9) | 1.22(30.9) | .118(3.00) | .540(13.7) | .693(17.6) |
| 4-1437624-8 | PKES150B1/4 | 1.77(44.9) | 1.55(39.4) | 1.41(35.9) | .118(3.00) | .733(18.6) | .831(21.1) |

Knobs, Molded Phenolic

PKF SERIES



PKF50B1/8



| Tyco | | Plain Quadrate with Indicator Line & Arrow | | | |
|-------------|------------|--|-------------|-------------|------------|
| Electronics | Alcoswitch | A | B | C | D |
| 5-1437624-5 | PKF50B1/8 | .670(17.0) | .454(11.53) | .570(14.48) | .520(13.2) |

PKG SERIES



PKG40B1/8



| Tyco | | Ribbed with Indicator Line | | | | | |
|-------------|------------|----------------------------|------------|------------|------------|-------------|------------|
| Electronics | Alcoswitch | A | B | C | D | E | F |
| 5-1437624-9 | *PKG40B1/8 | .437(11.1) | .410(10.4) | .304(7.72) | .079(2.00) | .385(9.78) | .472(12.0) |
| 6-1437624-1 | PKG50B1/8 | .551(14.0) | .500(12.7) | .442(10.7) | .056(1.42) | .395(10.03) | .512(13.0) |
| 6-1437624-0 | PKG50B1/4 | .551(14.0) | .500(12.7) | .442(10.7) | .056(1.42) | .395(10.03) | .512(13.0) |

*Note: Knob uses #4-40 set screw

K

P Series

Knobs, Molded Phenolic

PKG SERIES



PKG70B1/8

| Tyco | | Ribbed with Indicator Line | | | | | |
|-------------|------------|----------------------------|------------|------------|------------|------------|------------|
| Electronics | Alcoswitch | A | B | C | D | E | F |
| 6-1437624-6 | PKG60B1/8 | .660(16.8) | .615(15.6) | .551(14.0) | .080(2.03) | .430(10.9) | .551(14.0) |
| 6-1437624-5 | PKG60B1/4 | .660(16.8) | .615(15.6) | .551(14.0) | .080(2.03) | .430(10.9) | .551(14.0) |
| 6-1437624-8 | PKG70B1/8 | .740(18.8) | .698(17.7) | .591(15.0) | .080(2.03) | .453(11.5) | .559(14.2) |
| 6-1437624-7 | PKG70B1/4 | .740(18.8) | .698(17.7) | .591(15.0) | .080(2.03) | .453(11.5) | .559(14.2) |

PKG SERIES



PKG90B1/4

| Tyco | | Ribbed with Indicator Line | | | | | |
|-------------|------------|----------------------------|------------|------------|------------|------------|-------------|
| Electronics | Alcoswitch | A | B | C | D | E | F |
| 7-1437624-0 | PKG90B1/8 | .862(21.9) | .811(20.6) | .710(18.0) | .080(2.03) | .450(11.4) | .550(13.97) |
| 6-1437624-9 | PKG90B1/4 | .862(21.9) | .811(20.6) | .710(18.0) | .080(2.03) | .450(11.4) | .550(13.97) |
| 5-1437624-7 | PKG100B1/4 | 1.055(26.80) | 1.01(25.5) | .920(23.4) | .080(2.03) | .430(10.9) | .555(14.1) |
| 5-1437624-8 | PKG125B1/4 | 1.248(31.70) | 1.20(30.4) | .690(17.5) | .080(2.03) | .430(10.9) | .565(14.4) |

PKGP SERIES



PKGP70B1/4

| Tyco | | Ribbed with Bar Pointers and Indicator Line | | | | | |
|-------------|-------------|---|------------|------------|------------|------------|------------|
| Electronics | Alcoswitch | A | B | C | D | E | F |
| 7-1437624-2 | PKGP70B1/4 | .740(18.8) | .700(17.8) | .590(15.0) | .990(25.2) | .080(2.03) | .460(11.7) |
| 7-1437624-3 | PKGP90B1/4 | .860(21.8) | .810(20.6) | .700(17.8) | 1.28(32.5) | .080(2.03) | .460(11.7) |
| 7-1437624-1 | PKGP100B1/4 | 1.05(26.2) | 1.00(25.4) | .900(22.9) | 1.62(41.2) | .080(2.03) | .480(12.2) |

PKJ SERIES



PKJ50B1/8

| Tyco | | Straight Knurl with Bar Pointers and Indicator Line | | | | | |
|-------------|------------|---|------------|------------|------------|------------|-----------|
| Electronics | Alcoswitch | A | B | C | D | E | F |
| 7-1437624-5 | PKJ50B1/8 | .500(12.7) | .512(13.0) | .420(10.7) | .577(14.7) | .429(10.9) | .113(2.9) |
| 7-1437624-4 | *PKJ50B1/4 | .500(12.7) | .512(13.0) | .420(10.7) | .577(14.7) | .429(10.9) | .113(2.9) |
| 7-1437624-6 | PKJ60B1/4 | .630(16.0) | .530(13.5) | .468(11.9) | .758(19.3) | .440(11.2) | .110(2.8) |
| 7-1437624-7 | PKJ70B1/4 | .760(19.3) | .555(14.1) | .545(13.8) | .915(23.2) | .450(11.4) | .118(3.0) |

*Note: Knob uses #4-40 set screw



PKJ70B1/4

Knobs, Molded Phenolic

PKJT SERIES



PKJT50B1/4



PKJT70B1/4



| Straight Knurl with Bar Pointer & Indicator Line and Aluminum Spin Cap | | | | | | | |
|--|-------------|------------|------------|------------|------------|------------|------------|
| Tyco | | | | | | | |
| Electronics | Alcoswitch | A | B | C | D | E | F |
| 7-1437624-9 | PKJT50B1/8 | .515(13.1) | .585(14.9) | .350(8.89) | .595(15.1) | .414(10.5) | .130(3.30) |
| 7-1437624-8 | *PKJT50B1/4 | .515(13.1) | .585(14.9) | .350(8.89) | .595(15.1) | .414(10.5) | .130(3.30) |
| 8-1437624-0 | PKJT60B1/4 | .640(16.3) | .605(15.4) | .470(11.9) | .760(19.3) | .445(11.3) | .118(3.00) |
| 8-1437624-1 | PKJT70B1/4 | .760(19.3) | .625(15.9) | .550(14.0) | .915(23.2) | .445(11.3) | .118(3.00) |

*Knob uses #4-40 set screw.

PKNT SERIES



PKNT60B1/4

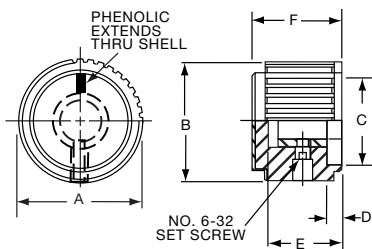


| Black Spin Cap with "Diamond Cut" Less Indicator | | | | | | | |
|--|------------|------------|------------|------------|------------|------------|------------|
| Tyco | | | | | | | |
| Electronics | Alcoswitch | A | B | C | D | E | F |
| 8-1437624-6 | PKNT60B1/8 | .591(15.0) | .579(14.7) | .394(10.0) | .079(2.01) | .394(10.0) | .472(11.9) |
| 8-1437624-5 | PKNT60B1/4 | .591(15.0) | .579(14.7) | .394(10.0) | .079(2.01) | .394(10.0) | .472(11.9) |
| 8-1437624-7 | PKNT70B1/4 | .787(19.9) | .764(19.4) | .571(14.5) | .098(2.49) | .492(12.5) | .591(14.7) |
| 8-1437624-8 | PKNT90B1/4 | .984(25.0) | .957(24.3) | .748(19.0) | .098(2.49) | .591(15.0) | .689(17.5) |

PKN SERIES



PKN60B1/8



| Line Indicator on Natural Aluminum Spin Cap | | | | | | | |
|---|------------|------------|------------|------------|------------|------------|------------|
| Tyco | | | | | | | |
| Electronics | Alcoswitch | A | B | C | D | E | F |
| 8-1437624-2 | PKN60B1/8 | .591(15.0) | .579(14.7) | .394(10.0) | .079(2.01) | .394(10.0) | .453(11.5) |
| | PKN60B1/4 | .591(15.0) | .579(14.7) | .394(10.0) | .079(2.01) | .394(10.0) | .453(11.5) |
| 8-1437624-3 | PKN70B1/4 | .787(20.0) | .764(19.4) | .571(14.5) | .098(2.49) | .492(12.5) | .591(15.0) |
| 8-1437624-4 | PKN90B1/4 | .984(25.0) | .957(24.3) | .748(19.0) | .098(2.49) | .591(15.0) | .689(17.5) |

K

P Series

Knobs, Molded Phenolic

PKS SERIES



PKS1104B1/4

| | | Straight Knurl with Indicator Line on Skirt | | | | | |
|------------------|-------------|---|------------|------------|------------|-------------|------------|
| Tyco Electronics | Alcoswitch | A | B | C | D | E | F |
| 9-1437624-5 | PKS1104B1/4 | 1.12(28.5) | .567(14.4) | .620(15.8) | .090(2.29) | .510(12.95) | .670(17.0) |

PKS SERIES

| | | Straight Knurl Aluminum Skirt Has Line or 0-9 Numbers | | | | | | |
|------------------|---------------|---|------------|------------|------------|------------|------------|---------|
| Tyco Electronics | Alcoswitch | A | B | C | D | E | F | Marking |
| 9-1437624-4 | PKS1103B101/4 | 1.17(29.6) | .571(14.5) | .620(15.7) | .098(2.49) | .516(13.1) | .670(17.0) | Numbers |
| 9-1437624-7 | PKS1106B1/4 | 1.17(29.6) | .571(14.5) | .618(15.7) | .098(2.49) | .516(13.1) | .670(17.0) | Line |
| 9-1437624-6 | PKS1105B101/4 | 1.17(29.6) | .571(14.5) | .618(15.7) | .098(2.49) | .516(13.1) | .670(17.0) | Numbers |



PKS1106B1/4



PKS1103B101/4



PKS1105B101/4



PKS SERIES

SPUN ALUMINUM INLAY



0-10



+5-5



0-9



Indicator Line



PKS1132B51/4

| | | Choice of Indicator Line or 0-9, 0-10, -5+5 Numerals | | | | | | |
|------------------|---------------|--|------------|------------|------------|-------------|------------|----------------|
| Tyco Electronics | Alcoswitch | A | B | C | D | E | F | Marking |
| 1437625-1 | PKS1132B51/4 | 1.18(30.0) | .551(14.0) | .551(14.0) | .118(30.0) | .615(15.62) | .748(19.0) | +5-0-5 |
| 1437625-2 | PKS1132B91/4 | 1.18(30.0) | .551(14.0) | .551(14.0) | .118(30.0) | .615(15.62) | .748(19.0) | 0-9 |
| 9-1437624-9 | PKS1132B101/4 | 1.18(30.0) | .551(14.0) | .551(14.0) | .118(30.0) | .615(15.62) | .748(19.0) | 0-10 |
| 9-1437624-8 | *PKS1132B1/4 | 1.18(30.0) | .551(14.0) | .551(14.0) | .118(30.0) | .615(15.62) | .748(19.0) | Indicator Line |

*1 Set screw 180° from indicator line.



PKS1132B91/4

Knobs, Molded Phenolic

PKS SERIES



PKS90B1/4



PKS90B101/4



| Tyco Straight Knurl with Aluminum Skirt Choice of Arrow or 1-10 Numbers | | | | | | | | | |
|---|-------------|------------|------------|------------|------------|------------|------------|---------|--|
| Electronics | Alcoswitch | A | B | C | D | E | F | Marking | |
| 1437625-5 | PKS90B1/4 | 1.42(36.1) | .917(23.3) | .780(19.8) | .065(1.65) | .490(12.5) | .596(15.1) | Arrow | |
| 1437625-6 | PKS90B101/4 | 1.42(36.1) | .917(23.3) | .780(19.8) | .065(1.65) | .490(12.5) | .596(15.1) | Numbers | |

PKX SERIES



PKX50B1/8



(1) 6-32 SET SCREW EXCEPT PKX-50B, (1) 4-40

| Tyco Ribbed Body, Matte Finish with White Square Indicator on Top | | | | | | | |
|---|------------|------------|------------|------------|------------|-------------|------------|
| Electronics | Alcoswitch | A | B | C | D | E | F |
| 1-1437625-5 | PKX50B1/8 | .590(15.0) | .472(12.0) | .374(9.49) | .059(1.50) | .463(11.76) | .551(14.0) |
| 1-1437625-4 | PKX50B1/4 | .590(15.0) | .472(12.0) | .374(9.49) | .059(1.50) | .463(11.76) | .551(14.0) |
| 1-1437625-7 | PKX60B1/8 | .787(20.0) | .625(15.9) | .472(12.0) | .078(1.98) | .510(13.0) | .598(15.2) |
| 1-1437625-6 | PKX60B1/4 | .787(20.0) | .625(15.9) | .472(12.0) | .078(1.98) | .510(13.0) | .598(15.2) |

PKX SERIES



PKX110B1/4



(2) 6-32 SET SCREWS

| Tyco Ribbed Body, Matte Finish with White Square Indicator on Top | | | | | | | |
|---|------------|------------|--------------|-------------|------------|-------------|-------------|
| Electronics | Alcoswitch | A | B | C | D | E | F |
| 1-1437625-1 | PKX100B1/4 | 1.17(29.7) | .970(24.6) | .780(19.81) | .114(2.90) | .570(14.48) | .674(17.12) |
| 1-1437625-2 | PKX110B1/4 | 1.37(34.8) | 1.120(28.45) | .940(23.88) | .100(2.54) | .527(13.38) | .705(17.91) |
| 1-1437625-3 | PKX130B1/4 | 1.57(40.0) | 1.308(33.22) | 1.09(27.6) | .118(3.00) | .623(15.82) | .750(19.05) |

K

P Series

Knob Accessories

ACCESSORIES



KR1

| Tyco | | Shaft Hole Size Adaptors | | | | | |
|-------------|-------------------|--------------------------|------------|------------|------------|------------|------------|
| Electronics | Alcoswitch | A | B | C | D | E | F |
| 9-1437627-6 | KR1 (1/4"TO1/8") | .374(9.50) | .250(6.35) | .128(3.25) | .122(3.10) | .217(5.51) | .122(3.10) |
| 9-1437627-7 | KR2 (1/4"TO3/16") | .375(9.53) | .250(6.35) | .190(4.83) | .122(3.10) | .216(5.49) | .123(3.12) |
| 9-1437627-8 | KR3 (1/4"TO4MM) | .375(9.53) | .248(6.30) | .161(4.09) | .122(3.10) | .216(5.49) | .123(3.12) |

Engineering Notes

A large grid area for writing engineering notes, consisting of a uniform grid of small squares.

K

Engineering Notes

K22

Catalog 1308390
Issued 9-04

www.tycoelectronics.com

Dimensions are in inches and millimeters unless otherwise specified. Values in parentheses or brackets are metric equivalents.

Dimensions are shown for reference purposes only. Specifications subject to change.

USA: 1-800-522-6752
Canada: 1-905-470-4425
Mexico: 01-800-733-8926
C. America: 52-55-5-729-0425

South America: 55-11-3611-1514
Hong Kong: 852-2735-1628
Japan: 81-44-844-8013
UK: 44-141-810-8967



Компания «ЭлектроПласт» предлагает заключение долгосрочных отношений при поставках импортных электронных компонентов на взаимовыгодных условиях!

Наши преимущества:

- Оперативные поставки широкого спектра электронных компонентов отечественного и импортного производства напрямую от производителей и с крупнейших мировых складов;
- Поставка более 17-ти миллионов наименований электронных компонентов;
- Поставка сложных, дефицитных, либо снятых с производства позиций;
- Оперативные сроки поставки под заказ (от 5 рабочих дней);
- Экспресс доставка в любую точку России;
- Техническая поддержка проекта, помощь в подборе аналогов, поставка прототипов;
- Система менеджмента качества сертифицирована по Международному стандарту ISO 9001;
- Лицензия ФСБ на осуществление работ с использованием сведений, составляющих государственную тайну;
- Поставка специализированных компонентов (Xilinx, Altera, Analog Devices, Intersil, Interpoint, Microsemi, Aeroflex, Peregrine, Syfer, Eurofarad, Texas Instrument, Miteq, Cobham, E2V, MA-COM, Hittite, Mini-Circuits, General Dynamics и др.);

Помимо этого, одним из направлений компании «ЭлектроПласт» является направление «Источники питания». Мы предлагаем Вам помощь Конструкторского отдела:

- Подбор оптимального решения, техническое обоснование при выборе компонента;
- Подбор аналогов;
- Консультации по применению компонента;
- Поставка образцов и прототипов;
- Техническая поддержка проекта;
- Защита от снятия компонента с производства.



Как с нами связаться

Телефон: 8 (812) 309 58 32 (многоканальный)

Факс: 8 (812) 320-02-42

Электронная почта: org@eplast1.ru

Адрес: 198099, г. Санкт-Петербург, ул. Калинина, дом 2, корпус 4, литера А.