

SYRS1 Series

9 - 36V Wide Input

Encapsulated Sixteenth Brick Converters

Features

- High efficiency and excellent thermal performance
- No minimum load requirement
- Protection against input under-voltage, output over-voltage/over-current/short circuit, and over-temperature.
- Output remote sense
- Fixed frequency operation
- 2,250Vdc input to output isolation
- Encapsulated for harsh environment
- Flanged baseplate available
- Different temperature grades available
- Designed to meet IEC60950-1 2nd edition
- Qualification/Screening satisfy: IPC-9592, MIL-STD-810, MIL-STD-883



Absolute Maximum Ratings

Excessive stresses over these absolute maximum ratings can cause damage to the converter. Operation should be limited to the conditions outlined under the Electrical Specifications.

Parameter	Symbol	Min	Max	Unit
Input Voltage (continuous)	V_i	-0.5	40	Vdc
Input Voltage (< 100ms, operating)	V_i	-	50	Vdc
Input Voltage (continuous, non-operating)	V_i	-	50	Vdc
Storage Temperature	Tstg	-55	125	°C

Part Numbering System

SYR	S1	□□□	□	□□□	□	□	□	□	-	□
Family Name:	Input Voltage:	Output Voltage:	Enabling Logic:	Rated Output Current:	Pin Length:	Electrical Options:	Packaging	Suffix	-	Operating Temperature *Grade (°C)
SYR	S1:9-36V	Unit:0.1V 050:5V	P:positive N:negative	Unit:A 012:12A	K:0.110" N:0.145" R:0.180"	0:latch off 2:auto-restart	R: Potted, metal case S: Potted, metal shield, flange P: Potted, baseplate F: Potted, flange	Custom code	-	H: -40 to +100 M: -55 to +100

* Operating temperature is the temperature measured at the center of the baseplate.

Available Codes:

Output Voltage	3.3V	5V	6V	8V	12V	15V
Output Current	10A, 15A	8A, 12A	5A	4A, 7A	3A, 5A	2A, 4A

SYRS1 Series 9 – 36V Input Sixteenth Brick Converters

Electrical Specifications

These specifications are valid over the converter's full range of input voltage, resistive load, and operating temperature unless noted otherwise.

Series Input Specifications

Parameter	Symbol	Min	Typical	Max	Unit
Input Voltage	V_i	9	18	36	Vdc
Input Turn-on Voltage Threshold	-	8.0	8.5	9.0	V
Input Turn-off Voltage Threshold	-	7.0	7.5	8.0	V

Series Output Specifications

Parameter	Symbol	Min	Typical	Max	Unit
Output Voltage Set Point Accuracy (V_i = Typical V_{in} ; I_o = $I_{o,max}$; T_a = 25°C)	-	-1.5		+1.5	% V_o
Output Voltage Set Point Accuracy (over all conditions)	-	-3		+3	% V_o
Output Regulation:					
Line Regulation (full range input voltage, 1/2 full load)	-	-	0.2	0.5	% V_o
Load Regulation (full range load, Typical V_{in})	-	-	0.2	0.5	% V_o
Temperature (T_a = -40°C to 85 °C)	-	-	0.1	-	% V_o
Output Trim Range in % of V_o , typical	-	80	-	110	%

Series General Specifications

Parameter	Symbol	Min	Typical	Max	Unit
Remote Enable					
Logic Low:					
ION/OFF = 1.0mA	VON/OFF	0	-	1.2	V
VON/OFF = 0.0V	ION/OFF	-	-	1.0	mA
Logic High:					
ION/OFF = 0.0μA	VON/OFF	3.5	-	15	V
Leakage Current	ION/OFF	-	-	50	μA
Isolation Capacitance	-	-	1200	-	pF
Isolation Resistance	-	10	-	-	MΩ

Module Specific Specifications

3.3V/10A Module (SYRS1033x010xxx-x)

Parameter	Symbol	Min	Typical	Max	Unit
Input Current	$I_{in,Max}$	-	-	7	A
Quiescent Input Current (Typical V_{in})	$I_{in,Qsnt}$	-	80	120	mA
Standby Input Current	$I_{in,Stdby}$	-	8	15	mA
Efficiency (Typical V_{in} ; I_o , max, T_A = 25°C)	η	-	90	-	%
Output Voltage Set Point	V_o		3.3		V
Output Over Current Protection Set Point / I_{o_max}	$I_{o,cli}$	105	-	160	%
Output Over Voltage Protection Set Point / $V_o_typical$	-	115	130	165	%
Output ripple frequency	-	280	300	320	kHz
Output Ripple and Noise Voltage					
RMS	-			50	mVrms
Peak-to-peak (5 Hz to 20 MHz bandwidth, Typical V_{in})	-			130	mVp-p
External Load Capacitance	-	-	-	10,000	μF

SYRS1 Series 9 – 36V Input Sixteenth Brick Converters

3.3V/15A Module (SYRS1033x015xxx-x)

Parameter	Symbol	Min	Typical	Max	Unit
Input Current	lin,Max	-	-	9	A
Quiescent Input Current (Typical Vin)	lin,Qsnt	-	120	140	mA
Standby Input Current	lin,Stdby	-	10	18	mA
Efficiency (Typical Vin; Io,max, TA = 25°C)	η	-	89.0	-	%
Output Voltage Set Point	Vo		3.3		V
Output Over Current Protection Set Point / Io_max	Io,cli	110	-	160	%
Output Over Voltage Protection Set Point / Vo_typical	-	115	130	165	%
Output ripple frequency	-	280	300	320	kHz
Output Ripple and Noise Voltage RMS	-			50	mVrms
Peak-to-peak (5 Hz to 20 MHz bandwidth, Typical Vin)	-			150	mVp-p
External Load Capacitance	-	-	-	10,000	μ F

5V/8A Module (SYRS1050x008xxx-x)

Parameter	Symbol	Min	Typical	Max	Unit
Input Current	lin,Max	-	-	8	A
Quiescent Input Current (Typical Vin)	lin,Qsnt	-	80	110	mA
Standby Input Current	lin,Stdby	-	8	20	mA
Efficiency (Typical Vin; Io,max, TA = 25°C)	η	-	91.5	-	%
Output Voltage Set Point	Vo		5.0		V
Output Over Current Protection Set Point / Io_max	Io,cli	115	-	175	%
Output Over Voltage Protection Set Point / Vo_typical	-	115	125	150	%
Output ripple frequency	-	230	250	270	kHz
Output Ripple and Noise Voltage RMS	-			40	mVrms
Peak-to-peak (5 Hz to 20 MHz bandwidth, Typical Vin)	-			150	mVp-p
External Load Capacitance	-	-	-	7,000	μ F

5V/12A Module (SYRS1050x012xxx-x)

Parameter	Symbol	Min	Typical	Max	Unit
Input Current	lin,Max	-	-	10	A
Quiescent Input Current (Typical Vin)	lin,Qsnt	-	100	130	mA
Standby Input Current	lin,Stdby	-	8	20	mA
Efficiency (Typical Vin; Io,max, TA = 25°C)	η	-	90.5	-	%
Output Voltage Set Point	Vo		5.0		V
Output Over Current Protection Set Point / Io_max	Io,cli	108	-	170	%
Output Over Voltage Protection Set Point / Vo_typical	-	115	125	150	%
Output ripple frequency	-	230	250	270	kHz
Output Ripple and Noise Voltage RMS	-			50	mVrms
Peak-to-peak (5 Hz to 20 MHz bandwidth, Typical Vin)	-			180	mVp-p
External Load Capacitance	-	-	-	8,000	μ F

6V/5A Module (SYRS1060x005xxx-x)

Parameter	Symbol	Min	Typical	Max	Unit
Input Current	lin,Max	-	-	6	A
Quiescent Input Current (Typical Vin)	lin,Qsnt	-	80	100	mA
Standby Input Current	lin,Stdby	-	6	15	mA
Efficiency (Typical Vin; Io,max, TA = 25°C)	η	-	91.5	-	%
Output Voltage Set Point	Vo		6.0		V
Output Over Current Protection Set Point / Io_max	Io,cli	115	-	175	%
Output Over Voltage Protection Set Point / Vo_typical	-	115	125	150	%
Output ripple frequency	-	240	260	280	kHz
Output Ripple and Noise Voltage RMS	-			40	mVrms
Peak-to-peak (5 Hz to 20 MHz bandwidth, Typical Vin)	-			120	mVp-p
External Load Capacitance	-	-	-	2,000	μ F

SYRS1 Series 9 – 36V Input Sixteenth Brick Converters

8V/4A Module (SYRS1080x004xxx-x)

Parameter	Symbol	Min	Typical	Max	Unit
Input Current	lin,Max	-	-	7	A
Quiescent Input Current (Typical Vin)	lin,Qsnt	-	85	110	mA
Standby Input Current	lin,Stdby	-	6	18	mA
Efficiency (Typical Vin; Io,max, TA = 25°C)	η	-	91.5	-	%
Output Voltage Set Point	Vo		8.0		V
Output Over Current Protection Set Point / Io_max	Io,cli	110	-	180	%
Output Over Voltage Protection Set Point / Vo_typical	-	115	130	150	%
Output ripple frequency	-	230	250	270	kHz
Output Ripple and Noise Voltage RMS	-			40	mVrms
Peak-to-peak (5 Hz to 20 MHz bandwidth, Typical Vin)	-			100	mVp-p
External Load Capacitance	-	-	-	2,000	μ F

8V/7A Module (SYRS1080x007xxx-x)

Parameter	Symbol	Min	Typical	Max	Unit
Input Current	lin,Max	-	-	11	A
Quiescent Input Current (Typical Vin)	lin,Qsnt	-	100	120	mA
Standby Input Current	lin,Stdby	-	6	18	mA
Efficiency (Typical Vin; Io,max, TA = 25°C)	η	-	91.0	-	%
Output Voltage Set Point	Vo		8.0		V
Output Over Current Protection Set Point / Io_max	Io,cli	110	-	165	%
Output Over Voltage Protection Set Point / Vo_typical	-	115	130	150	%
Output ripple frequency	-	230	250	270	kHz
Output Ripple and Noise Voltage RMS	-			50	mVrms
Peak-to-peak (5 Hz to 20 MHz bandwidth, Typical Vin)	-			150	mVp-p
External Load Capacitance	-	-	-	2,000	μ F

12V/3A Module (SYRS1120x003xxx-x)

Parameter	Symbol	Min	Typical	Max	Unit
Input Current	lin,Max	-	-	7	A
Quiescent Input Current (Typical Vin)	lin,Qsnt	-	90	110	mA
Standby Input Current	lin,Stdby	-	6	18	mA
Efficiency (Typical Vin; Io,max, TA = 25°C)	η	-	92.0	-	%
Output Voltage Set Point	Vo		12.0		V
Output Over Current Protection Set Point / Io_max	Io,cli	110	-	180	%
Output Over Voltage Protection Set Point / Vo_typical	-	115	130	150	%
Output ripple frequency	-	200	220	240	kHz
Output Ripple and Noise Voltage RMS	-			40	mVrms
Peak-to-peak (5 Hz to 20 MHz bandwidth, Typical Vin)	-			120	mVp-p
External Load Capacitance	-	-	-	700	μ F

12V/5A Module (SYRS1120x005xxx-x)

Parameter	Symbol	Min	Typical	Max	Unit
Input Current	lin,Max	-	-	11	A
Quiescent Input Current (Typical Vin)	lin,Qsnt	-	100	120	mA
Standby Input Current	lin,Stdby	-	6	18	mA
Efficiency (Typical Vin; Io,max, TA = 25°C)	η	-	91.5	-	%
Output Voltage Set Point	Vo		12.0		V
Output Over Current Protection Set Point / Io_max	Io,cli	110	-	160	%
Output Over Voltage Protection Set Point / Vo_typical	-	115	130	150	%
Output ripple frequency	-	200	220	240	kHz
Output Ripple and Noise Voltage RMS	-			60	mVrms
Peak-to-peak (5 Hz to 20 MHz bandwidth, Typical Vin)	-			160	mVp-p
External Load Capacitance	-	-	-	1,000	μ F

SYRS1 Series 9 – 36V Input Sixteenth Brick Converters

15V/2A Module (SYRS1150x002xxx-x)

Parameter	Symbol	Min	Typical	Max	Unit
Input Current	lin,Max	-	-	7	A
Quiescent Input Current (Typical Vin)	lin,Qsnt	-	70	90	mA
Standby Input Current	lin,Stdby	-	6	18	mA
Efficiency (Typical Vin; Io,max, TA = 25°C)	η	-	91.0	-	%
Output Voltage Set Point	Vo		15.0		V
Output Over Current Protection Set Point / Io_max	Io,cli	110	-	190	%
Output Over Voltage Protection Set Point / Vo_typical	-	115	130	160	%
Output ripple frequency	-	180	200	220	kHz
Output Ripple and Noise Voltage RMS	-			40	mVrms
Peak-to-peak (5 Hz to 20 MHz bandwidth, Typical Vin)	-			100	mVp-p
External Load Capacitance	-	-	-	700	μ F

15V/4A Module (SYRS1150x004xxx-x)

Parameter	Symbol	Min	Typical	Max	Unit
Input Current	lin,Max	-	-	12	A
Quiescent Input Current (Typical Vin)	lin,Qsnt	-	100	120	mA
Standby Input Current	lin,Stdby	-	6	18	mA
Efficiency (Typical Vin; Io,max, TA = 25°C)	η	-	90.0	-	%
Output Voltage Set Point	Vo		15.0		V
Output Over Current Protection Set Point / Io_max	Io,cli	110	-	180	%
Output Over Voltage Protection Set Point / Vo_typical	-	115	130	160	%
Output ripple frequency	-	180	200	220	kHz
Output Ripple and Noise Voltage RMS	-			60	mVrms
Peak-to-peak (5 Hz to 20 MHz bandwidth, Typical Vin)	-			200	mVp-p
External Load Capacitance	-	-	-	700	μ F

Feature Descriptions

ON/OFF

The converter can be turned on and off by changing the voltage between the ON/OFF pin and Vin(-). The SYRS1 Series of converters are available with positive logic and negative logic.

For the negative control logic, the converter is ON when the ON/OFF pin is at a logic low level and OFF when the ON/OFF pin is at a logic high level. For the positive control logic, the converter is ON when the ON/OFF pin is at a logic high level and OFF when the ON/OFF pin is at a logic low level.

With the internal pull-up circuitry, a simple external switch between the ON/OFF pin and Vin(-) can control the converter.

The logic low level is from 0V to 1.2V and the maximum sink current during logic low is 1mA. The external switch must be capable of maintaining a logic-low level while sinking up to this current. The logic high level is from 3.5V to 15V. The converter has an internal pull-up

circuit that ensures the ON/OFF pin at a high logic level when the leakage current at ON/OFF pin is no greater than 50 μ A.

Remote SENSE

The remote SENSE pins are used to sense the voltage at the load point to accurately regulate the load voltage and eliminate the impact of the voltage drop in the power distribution path.

SENSE(+) and SENSE(-) pins should be connected between the points where voltage regulation is desired. The voltage between the SENSE pins and the output pins must not exceed the smaller of 0.5V or 10% of typical output voltage.

$$[V_{out(+)} - V_{out(-)}] - [SENSE(+) - SENSE(-)] < \text{MIN}\{0.5V, 10\%V_o\}$$

When remote sense is not used, the SENSE pins should be connected to their corresponding output pins. If the SENSE pins are left floating, the converter will deliver an output voltage slightly higher than its specified typical output voltage.

Output Voltage Adjustment (Trim)

The trim pin allows the user to adjust the output voltage set point. To increase the output voltage, an external resistor is connected between the TRIM pin and SENSE(+). To decrease the output voltage, an external resistor is connected between the TRIM pin and SENSE(-). The output voltage trim range is 80% to 110% of the specified typical output voltage. The circuit configuration for trim down operation is shown in Figure 1.

To decrease the output voltage, the value of the external resistor should be.

$$R_{down} = \left(\frac{511}{\Delta} - 10.22 \right) (k\Omega)$$

Where

$$\Delta = \left(\frac{|V_{nom} - V_{adj}|}{V_{nom}} \right) \times 100$$

and

V_{nom} = Typical Output Voltage

V_{adj} = Adjusted Voltage

The circuit configuration for trim up operation is shown in Figure 2. To increase the output voltage, the value of the resistor should be:

$$R_{up} = \left(\frac{5.11V_o(100 + \Delta)}{1.225\Delta} - \frac{511}{\Delta} - 10.22 \right) (k\Omega)$$

Where

V_o = Typical Output Voltage

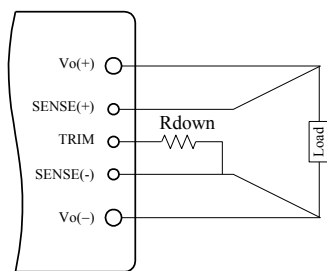


Figure 1. Circuit to Decrease Output Voltage

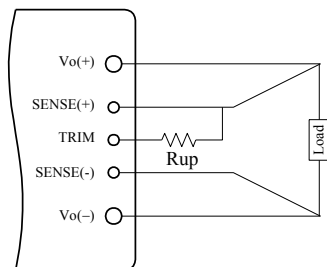


Figure 2. Circuit to Increase Output Voltage

Output Over-Current Protection (OCP)

This converter can be ordered in either latch-off or auto-restart version upon OCP, OVP, and OTP.

With the latch-off version, the converter will latch off when the load current exceeds the limit. The converter can be restarted by toggling the ON/OFF switch or recycling the input voltage.

With the auto-restart version, the converter will operate in a hiccup mode (repeatedly try to restart) until the cause of the over-current condition is cleared.

Output Over-Voltage Protection (OVP)

With the latch-off version, the converter will latch off when the output voltage exceeds the limit. The converter can be restarted by toggling the ON/OFF switch or recycling the input voltage.

With the auto-restart version, the converter will operate in a hiccup mode (repeatedly try to restart) until the cause of the over-voltage condition is cleared.

Over Temperature Protection (OTP)

With the latch-off version, the converter will shut down and latch off if an over-temperature condition is detected. The converter has a temperature sensor located at a carefully selected position in the converter circuit board, which represents the thermal condition of key components of the converter. The thermal shutdown circuit is designed to turn the converter off when the temperature at the sensor reaches 120°C. The module can be restarted by toggling the ON/OFF switch or recycling the input voltage.

With the auto-restart version, the converter will resume operation after the converter cools down.

Design Considerations

As with any DC/DC converter, the stability of the SYRS1 converters may be compromised if the source impedance is too high or inductive. It's desirable to keep the input source ac-impedance as low as possible. Although the converters are designed to be stable without adding external input capacitors for typical

SYRS1 Series 9 – 36V Input Sixteenth Brick Converters

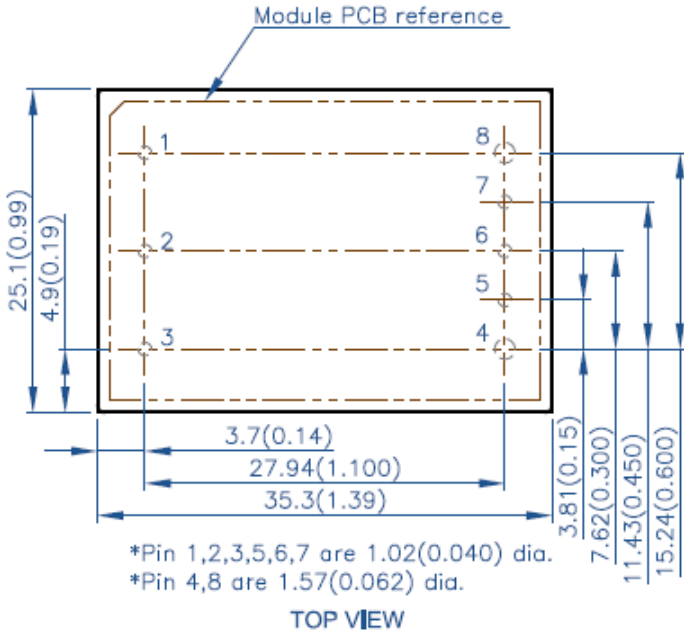
source impedance, it is recommended to add 220 μF low ESR electrolytic capacitors at the input of the converter for each 100W output power, which reduces the potential negative impact of the source impedance on the converter stability. These electrolytic capacitors should have sufficient RMS current rating over the operating temperature range.

The converter is designed to be stable without additional output capacitors. To further reduce the output voltage ripple or improve the transient response, additional output capacitors are often used in applications. When additional output capacitors are used, a combination of ceramic capacitors and tantalum/polymer capacitors shall be used to provide good filtering while assuring the stability of the converter.

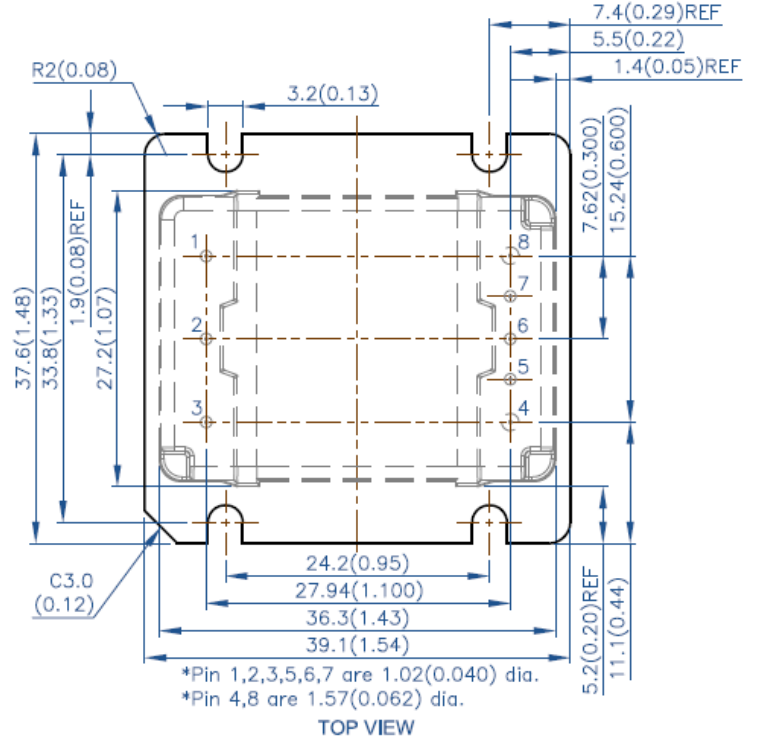
SYRS1 Series 9 – 36V Input Sixteenth Brick Converters

Mechanical Information

Potted, metal case

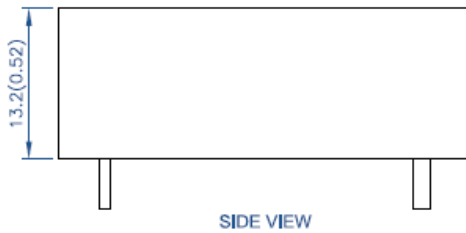
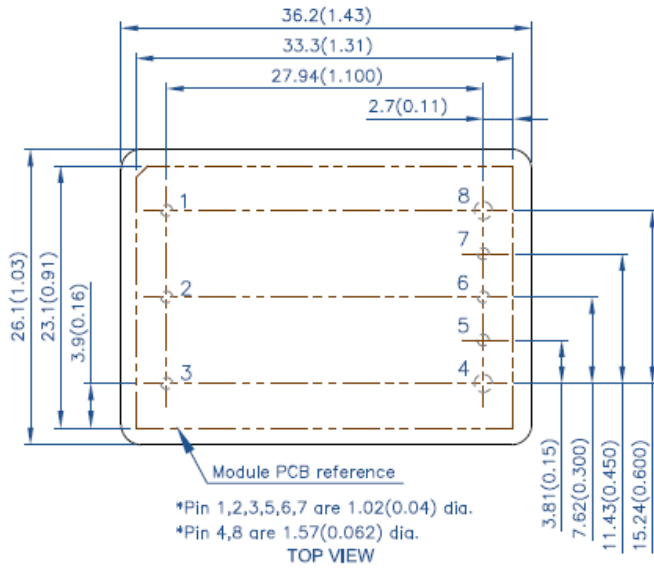


Potted, metal shield, flange

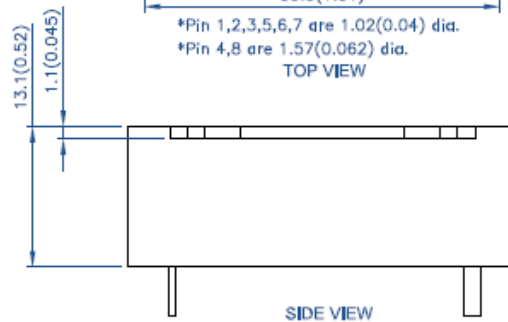
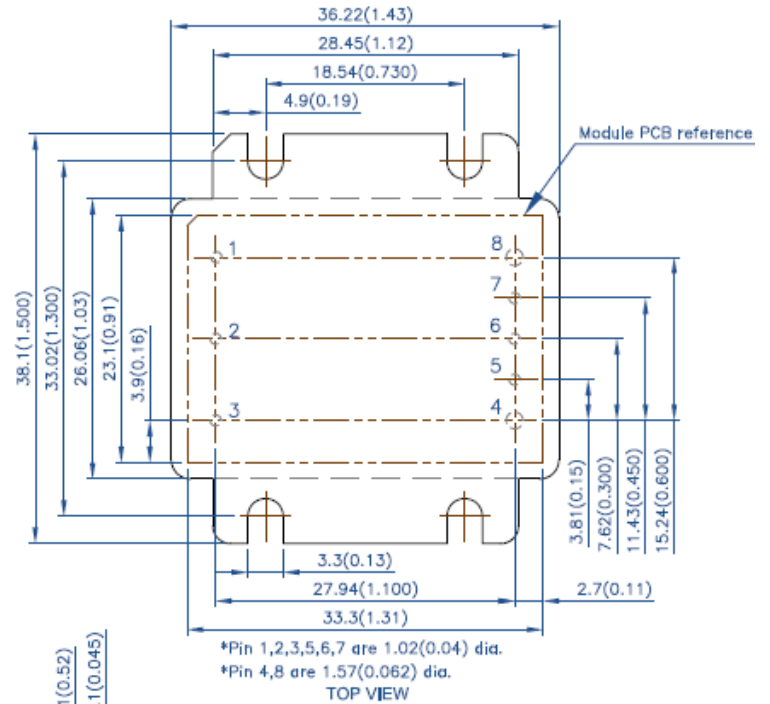


SYRS1 Series 9 – 36V Input Sixteenth Brick Converters

Potted, baseplate



Potted, flange



Pin	Name	Function
1	Vin(+)	Positive input
2	ON/OFF	Remote control
3	Vin(-)	Negative input
4	Vout(-)	Negative output
5	SENSE(-)	Negative remote sense
6	TRIM	Output voltage adjust
7	SENSE(+)	Positive remote sense
8	Vout(+)	Positive output

Notes:

- All dimensions in mm (inches)
Tolerances: $x \pm .5$ ($.xx \pm 0.02$)
 $.xx \pm .25$ ($.xxx \pm 0.010$)
- Input and function pins are 1.02mm (0.040") dia. with +/- 0.10mm (0.004") tolerance; the standoff shoulders are 2.00mm (0.078") dia. with +/- 0.15mm (0.006") tolerance.
- Output pins are 1.57 mm (0.062") dia. with +/- 0.10mm (0.004") tolerance; the standoff shoulders are 2.46mm (0.097") dia. with +/- 0.15mm (0.006") tolerance.
- All pins are coated with 90%/10% solder, Gold, or Matte Tin finish with Nickel underplating.
- Workmanship meets or exceeds IPC-A-610 Class II
- Baseplate flatness tolerance is 0.10mm (0.004") TIR for surface



Компания «ЭлектроПласт» предлагает заключение долгосрочных отношений при поставках импортных электронных компонентов на взаимовыгодных условиях!

Наши преимущества:

- Оперативные поставки широкого спектра электронных компонентов отечественного и импортного производства напрямую от производителей и с крупнейших мировых складов;
- Поставка более 17-ти миллионов наименований электронных компонентов;
- Поставка сложных, дефицитных, либо снятых с производства позиций;
- Оперативные сроки поставки под заказ (от 5 рабочих дней);
- Экспресс доставка в любую точку России;
- Техническая поддержка проекта, помощь в подборе аналогов, поставка прототипов;
- Система менеджмента качества сертифицирована по Международному стандарту ISO 9001;
- Лицензия ФСБ на осуществление работ с использованием сведений, составляющих государственную тайну;
- Поставка специализированных компонентов (Xilinx, Altera, Analog Devices, Intersil, Interpoint, Microsemi, Aeroflex, Peregrine, Syfer, Eurofarad, Texas Instrument, Miteq, Cobham, E2V, MA-COM, Hittite, Mini-Circuits, General Dynamics и др.);

Помимо этого, одним из направлений компании «ЭлектроПласт» является направление «Источники питания». Мы предлагаем Вам помощь Конструкторского отдела:

- Подбор оптимального решения, техническое обоснование при выборе компонента;
- Подбор аналогов;
- Консультации по применению компонента;
- Поставка образцов и прототипов;
- Техническая поддержка проекта;
- Защита от снятия компонента с производства.



Как с нами связаться

Телефон: 8 (812) 309 58 32 (многоканальный)

Факс: 8 (812) 320-02-42

Электронная почта: org@eplast1.ru

Адрес: 198099, г. Санкт-Петербург, ул. Калинина, дом 2, корпус 4, литера А.